

DAC0808

DAC0808 8-Bit D/A Converter



Literature Number: SNAS539A

DAC0808

8-Bit D/A Converter

General Description

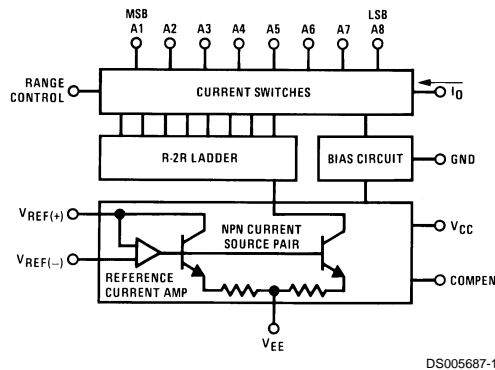
The DAC0808 is an 8-bit monolithic digital-to-analog converter (DAC) featuring a full scale output current settling time of 150 ns while dissipating only 33 mW with $\pm 5V$ supplies. No reference current (I_{REF}) trimming is required for most applications since the full scale output current is typically ± 1 LSB of $255 I_{REF}/256$. Relative accuracies of better than $\pm 0.19\%$ assure 8-bit monotonicity and linearity while zero level output current of less than $4 \mu A$ provides 8-bit zero accuracy for $I_{REF} \geq 2$ mA. The power supply currents of the DAC0808 is independent of bit codes, and exhibits essentially constant device characteristics over the entire supply voltage range.

The DAC0808 will interface directly with popular TTL, DTL or CMOS logic levels, and is a direct replacement for the MC1508/MC1408. For higher speed applications, see DAC0800 data sheet.

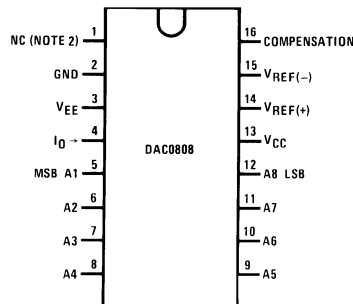
Features

- Relative accuracy: $\pm 0.19\%$ error maximum
- Full scale current match: ± 1 LSB typ
- Fast settling time: 150 ns typ
- Noninverting digital inputs are TTL and CMOS compatible
- High speed multiplying input slew rate: 8 mA/ μs
- Power supply voltage range: $\pm 4.5V$ to $\pm 18V$
- Low power consumption: 33 mW @ $\pm 5V$

Block and Connection Diagrams



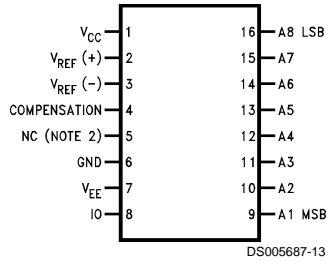
Dual-In-Line Package



Top View
Order Number DAC0808
See NS Package M16A or N16A

Block and Connection Diagrams (Continued)

Small-Outline Package



Ordering Information

ACCURACY	OPERATING TEMPERATURE RANGE	N PACKAGE (N16A) (Note 1)		SO PACKAGE (M16A)
		8-bit	$0^{\circ}\text{C} \leq T_A \leq +75^{\circ}\text{C}$	DAC0808LCN

Note 1: Devices may be ordered by using either order number.

Absolute Maximum Ratings (Note 2)

If Military/Aerospace specified devices are required, please contact the National Semiconductor Sales Office/Distributors for availability and specifications.

Power Supply Voltage

V_{CC}	+18 V_{DC}
V_{EE}	-18 V_{DC}
Digital Input Voltage, V5–V12	-10 V_{DC} to +18 V_{DC}
Applied Output Voltage, V_O	-11 V_{DC} to +18 V_{DC}
Reference Current, I_{14}	5 mA
Reference Amplifier Inputs, V14, V15	V_{CC} , V_{EE}
Power Dissipation (Note 4)	1000 mW
ESD Susceptibility (Note 5)	TBD

Storage Temperature Range	-65°C to +150°C
Lead Temp. (Soldering, 10 seconds)	
Dual-In-Line Package (Plastic)	260°C
Dual-In-Line Package (Ceramic)	300°C
Surface Mount Package	
Vapor Phase (60 seconds)	215°C
Infrared (15 seconds)	220°C

Operating Ratings

Temperature Range	$T_{MIN} \leq T_A \leq T_{MAX}$
DAC0808	$0 \leq T_A \leq +75^\circ\text{C}$

Electrical Characteristics

($V_{CC} = 5V$, $V_{EE} = -15 V_{DC}$, $V_{REF}/R14 = 2 \text{ mA}$, and all digital inputs at high logic level unless otherwise noted.)

Symbol	Parameter	Conditions	Min	Typ	Max	Units
E_r	Relative Accuracy (Error Relative to Full Scale I_O)	(Figure 4)				%
	DAC0808LC (LM1408-8)				±0.19	%
	Settling Time to Within ½ LSB (Includes t_{PLH})	$T_A = 25^\circ\text{C}$ (Note 7), (Figure 5)		150		ns
t_{PLH} , t_{PHL}	Propagation Delay Time	$T_A = 25^\circ\text{C}$, (Figure 5)		30	100	ns
TCI_O	Output Full Scale Current Drift			±20		ppm/°C
MSB	Digital Input Logic Levels	(Figure 3)				
V_{IH}	High Level, Logic "1"		2			V_{DC}
V_{IL}	Low Level, Logic "0"				0.8	V_{DC}
MSB	Digital Input Current	(Figure 3)				
	High Level	$V_{IH} = 5V$		0	0.040	mA
	Low Level	$V_{IL} = 0.8V$		-0.003	-0.8	mA
I_{15}	Reference Input Bias Current	(Figure 3)		-1	-3	µA
	Output Current Range	(Figure 3)				
		$V_{EE} = -5V$	0	2.0	2.1	mA
		$V_{EE} = -15V$, $T_A = 25^\circ\text{C}$	0	2.0	4.2	mA
I_O	Output Current	$V_{REF} = 2.000V$, $R14 = 1000\Omega$, (Figure 3)	1.9	1.99	2.1	mA
	Output Current, All Bits Low	(Figure 3)		0	4	µA
	Output Voltage Compliance (Note 3)	$E_r \leq 0.19\%$, $T_A = 25^\circ\text{C}$			-0.55, +0.4	V_{DC}
	$V_{EE} = -5V$, $I_{REF} = 1 \text{ mA}$				-5.0, +0.4	V_{DC}
	V_{EE} Below -10V					
SRI_{REF}	Reference Current Slew Rate	(Figure 6)	4	8		mA/µs
	Output Current Power Supply Sensitivity	$-5V \leq V_{EE} \leq -16.5V$		0.05	2.7	µA/V
I_{CC}	Power Supply Current (All Bits Low)	(Figure 3)		2.3	22	mA
				-4.3	-13	mA
V_{CC}	Power Supply Voltage Range	$T_A = 25^\circ\text{C}$, (Figure 3)	4.5	5.0	5.5	V_{DC}
			-4.5	-15	-16.5	V_{DC}
V_{EE}						
	Power Dissipation					

Electrical Characteristics (Continued)

($V_{CC} = 5V$, $V_{EE} = -15V_{DC}$, $V_{REF}/R_{14} = 2\text{ mA}$, and all digital inputs at high logic level unless otherwise noted.)

Symbol	Parameter	Conditions	Min	Typ	Max	Units
	All Bits Low	$V_{CC} = 5V$, $V_{EE} = -5V$		33	170	mW
		$V_{CC} = 5V$, $V_{EE} = -15V$		106	305	mW
	All Bits High	$V_{CC} = 15V$, $V_{EE} = -5V$		90		mW
		$V_{CC} = 15V$, $V_{EE} = -15V$		160		mW

Note 2: Absolute Maximum Ratings indicate limits beyond which damage to the device may occur. DC and AC electrical specifications do not apply when operating the device beyond its specified operating conditions.

Note 3: Range control is not required.

Note 4: The maximum power dissipation must be derated at elevated temperatures and is dictated by T_{JMAX} , θ_{JA} , and the ambient temperature, T_A . The maximum allowable power dissipation at any temperature is $P_D = (T_{JMAX} - T_A)/\theta_{JA}$ or the number given in the Absolute Maximum Ratings, whichever is lower. For this device, $T_{JMAX} = 125^\circ\text{C}$, and the typical junction-to-ambient thermal resistance of the dual-in-line J package when the board mounted is 100°C/W . For the dual-in-line N package, this number increases to 175°C/W and for the small outline M package this number is 100°C/W .

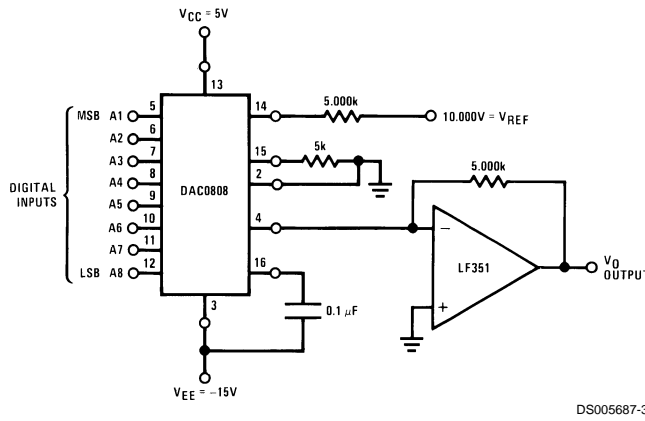
Note 5: Human body model, 100 pF discharged through a 1.5 k Ω resistor.

Note 6: All current switches are tested to guarantee at least 50% of rated current.

Note 7: All bits switched.

Note 8: Pin-out numbers for the DAL080X represent the dual-in-line package. The small outline package pinout differs from the dual-in-line package.

Typical Application



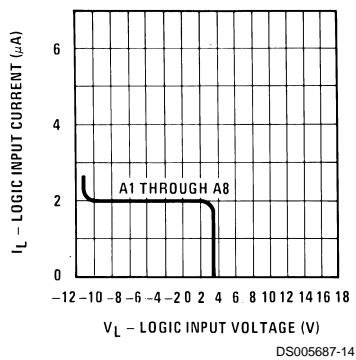
$$V_O = 10V \left(\frac{A_1}{2} + \frac{A_2}{4} + \dots + \frac{A_8}{256} \right)$$

DS005687-23

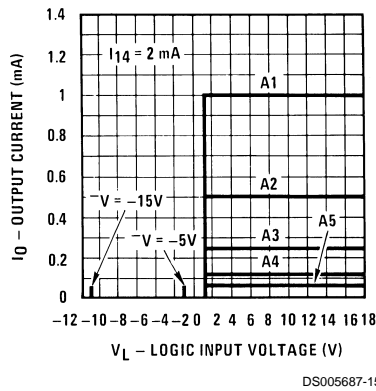
FIGURE 1. +10V Output Digital to Analog Converter (Note 8)

Typical Performance Characteristics $V_{CC} = 5V$, $V_{EE} = -15V$, $T_A = 25^\circ\text{C}$, unless otherwise noted

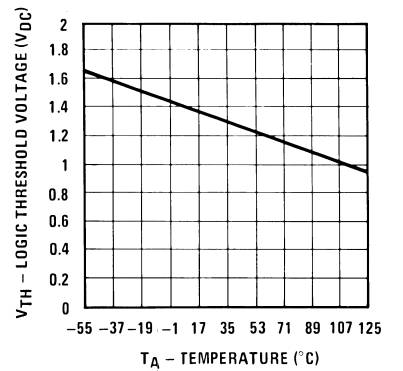
Logic Input Current vs Input Voltage



Bit Transfer Characteristics

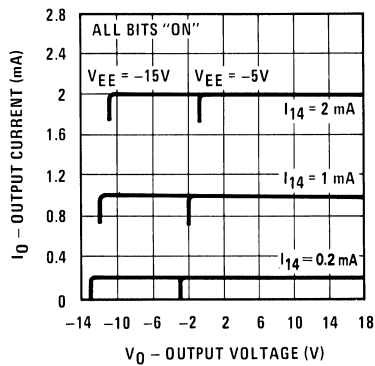


Logic Threshold Voltage vs Temperature



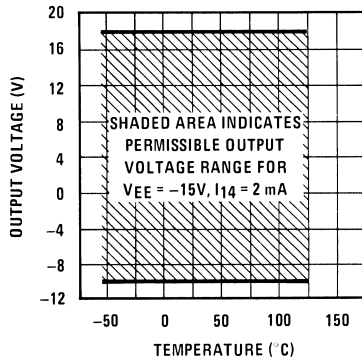
Typical Performance Characteristics $V_{CC} = 5V$, $V_{EE} = -15V$, $T_A = 25^\circ C$, unless otherwise noted (Continued)

Output Current vs Output Voltage (Output Voltage Compliance)



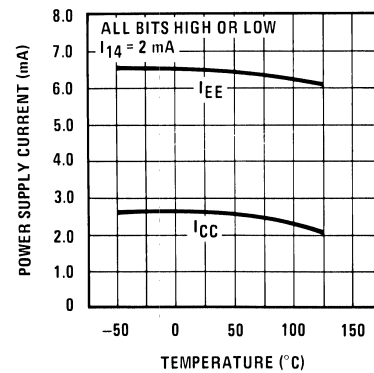
DS005687-17

Output Voltage Compliance vs Temperature



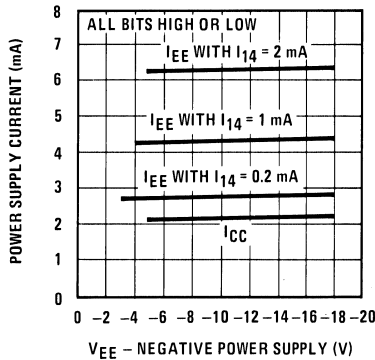
DS005687-18

Typical Power Supply Current vs Temperature



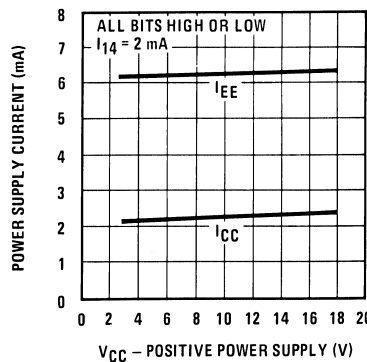
DS005687-19

Typical Power Supply Current vs VEE



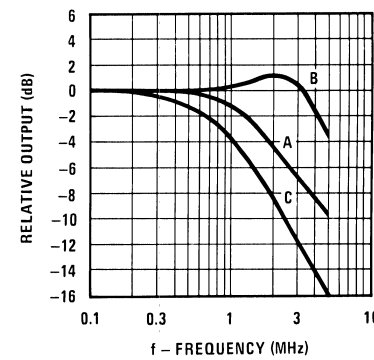
DS005687-20

Typical Power Supply Current vs VCC



DS005687-21

Reference Input Frequency Response



DS005687-22

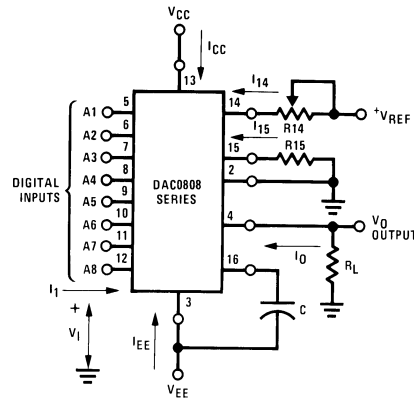
Unless otherwise specified: $R_{14} = R_{15} = 1\text{ k}\Omega$, $C = 15\text{ pF}$, pin 16 to V_{EE} ; $R_L = 50\Omega$, pin 4 to ground.

Curve A: Large Signal Bandwidth Method of Figure 7, $V_{REF} = 2\text{ Vp-p}$ offset 1V above ground.

Curve B: Small Signal Bandwidth Method of Figure 7, $R_L = 250\Omega$, $V_{REF} = 50\text{ mVp-p}$ offset 200 mV above ground.

Curve C: Large and Small Signal Bandwidth Method of Figure 9 (no op amp, $R_L = 50\Omega$), $R_S = 50\Omega$, $V_{REF} = 2V$, $V_S = 100\text{ mVp-p}$ centered at 0V.

Test Circuits



DS005687-6

V_I and I_1 apply to inputs A1–A8.

The resistor tied to pin 15 is to temperature compensate the bias current and may not be necessary for all applications.

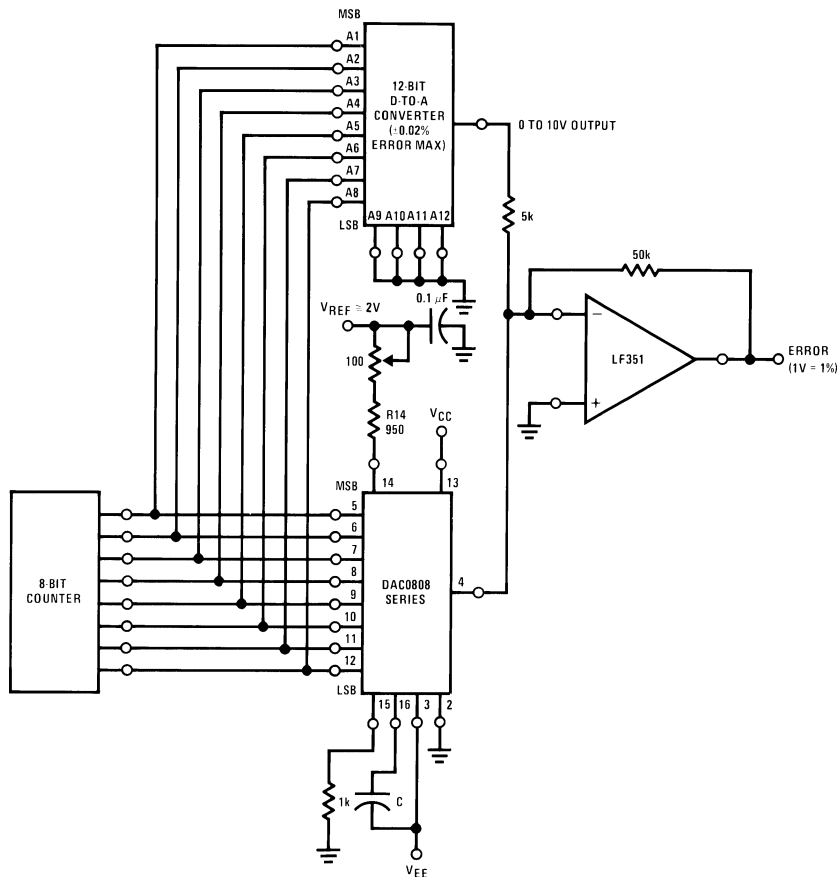
$$I_O = K \left(\frac{A_1}{2} + \frac{A_2}{4} + \frac{A_3}{8} + \frac{A_4}{16} + \frac{A_5}{32} + \frac{A_6}{64} + \frac{A_7}{128} + \frac{A_8}{256} \right)$$

where $K \cong \frac{V_{REF}}{R_{14}}$

and $A_N = "1"$ if A_N is at high level

$A_N = "0"$ if A_N is at low level

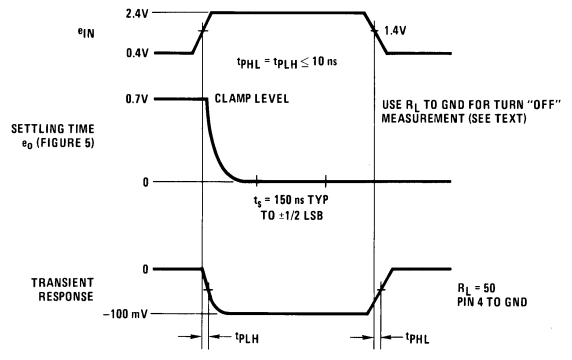
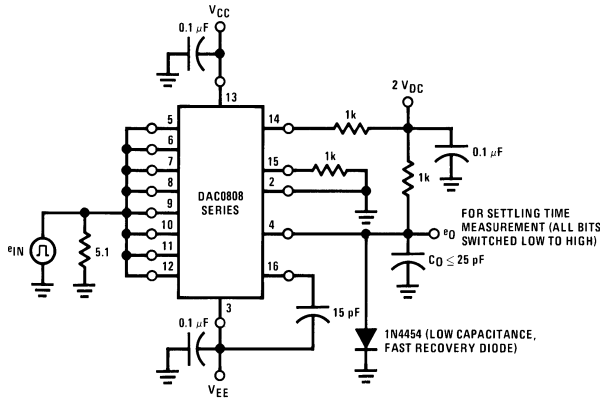
FIGURE 3. Notation Definitions Test Circuit (Note 8)



DS005687-7

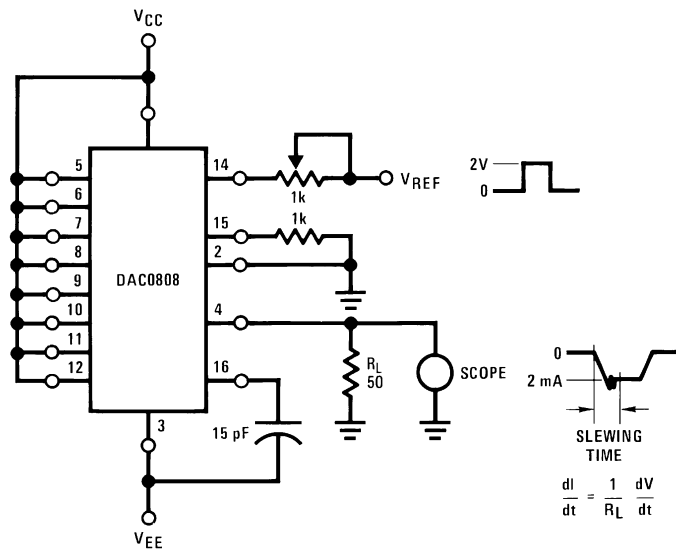
FIGURE 4. Relative Accuracy Test Circuit (Note 8)

Test Circuits (Continued)



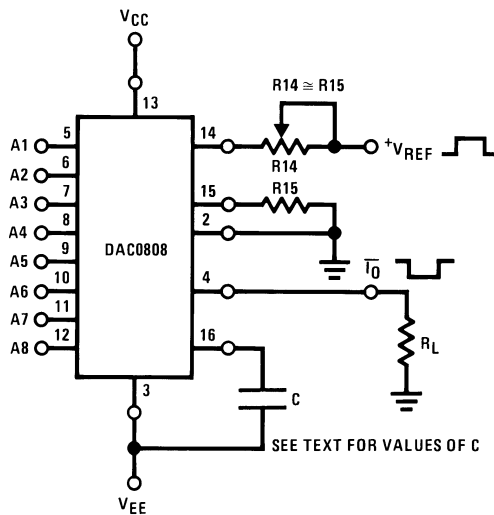
DS005687-8

FIGURE 5. Transient Response and Settling Time (Note 8)



DS005687-9

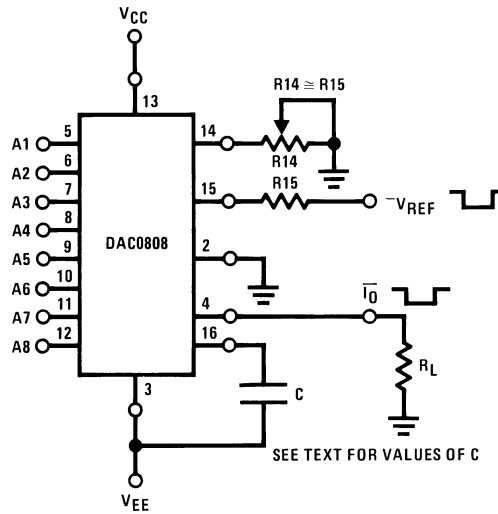
FIGURE 6. Reference Current Slew Rate Measurement (Note 8)



DS005687-10

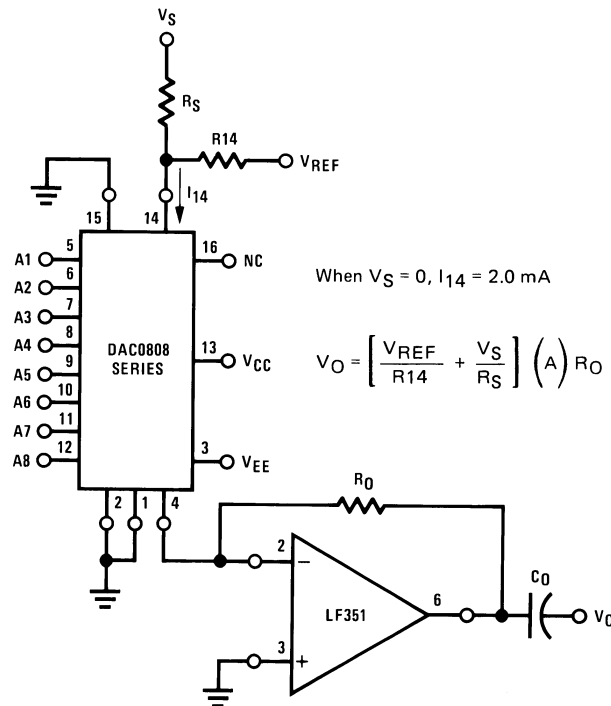
FIGURE 7. Positive V_{REF} (Note 8)

Test Circuits (Continued)



DS005687-11

FIGURE 8. Negative V_{REF} (Note 8)



DS005687-12

FIGURE 9. Programmable Gain Amplifier or Digital Attenuator Circuit (Note 8)

Application Hints

REFERENCE AMPLIFIER DRIVE AND COMPENSATION

The reference amplifier provides a voltage at pin 14 for converting the reference voltage to a current, and a turn-around circuit or current mirror for feeding the ladder. The reference amplifier input current, I₁₄, must always flow into pin 14, regardless of the set-up method or reference voltage polarity.

Connections for a positive voltage are shown in Figure 7. The reference voltage source supplies the full current I₁₄.

For bipolar reference signals, as in the multiplying mode, R15 can be tied to a negative voltage corresponding to the minimum input level. It is possible to eliminate R15 with only a small sacrifice in accuracy and temperature drift.

The compensation capacitor value must be increased with increases in R14 to maintain proper phase margin; for R14 values of 1, 2.5 and 5 kΩ, minimum capacitor values are 15, 37 and 75 pF. The capacitor may be tied to either V_{EE} or ground, but using V_{EE} increases negative supply rejection.

A negative reference voltage may be used if R14 is grounded and the reference voltage is applied to R15 as shown in Figure 8. A high input impedance is the main

Application Hints (Continued)

advantage of this method. Compensation involves a capacitor to V_{EE} on pin 16, using the values of the previous paragraph. The negative reference voltage must be at least 4V above the V_{EE} supply. Bipolar input signals may be handled by connecting R14 to a positive reference voltage equal to the peak positive input level at pin 15.

When a DC reference voltage is used, capacitive bypass to ground is recommended. The 5V logic supply is not recommended as a reference voltage. If a well regulated 5V supply which drives logic is to be used as the reference, R14 should be decoupled by connecting it to 5V through another resistor and bypassing the junction of the 2 resistors with 0.1 μ F to ground. For reference voltages greater than 5V, a clamp diode is recommended between pin 14 and ground.

If pin 14 is driven by a high impedance such as a transistor current source, none of the above compensation methods apply and the amplifier must be heavily compensated, decreasing the overall bandwidth.

OUTPUT VOLTAGE RANGE

The voltage on pin 4 is restricted to a range of -0.55 to $0.4V$ when $V_{EE} = -5V$ due to the current switching methods employed in the DAC0808.

The negative output voltage compliance of the DAC0808 is extended to $-5V$ where the negative supply voltage is more negative than $-10V$. Using a full-scale current of 1.992 mA and load resistor of 2.5 k Ω between pin 4 and ground will yield a voltage output of 256 levels between 0 and $-4.980V$. Floating pin 1 does not affect the converter speed or power dissipation. However, the value of the load resistor determines the switching time due to increased voltage swing. Values of R_L up to 500 Ω do not significantly affect performance, but a 2.5 k Ω load increases worst-case settling time to 1.2 μ s (when all bits are switched ON). Refer to the subsequent text section on Settling Time for more details on output loading.

OUTPUT CURRENT RANGE

The output current maximum rating of 4.2 mA may be used only for negative supply voltages more negative than $-8V$, due to the increased voltage drop across the resistors in the reference current amplifier.

ACCURACY

Absolute accuracy is the measure of each output current level with respect to its intended value, and is dependent upon relative accuracy and full-scale current drift. Relative accuracy is the measure of each output current level as a fraction of the full-scale current. The relative accuracy of the DAC0808 is essentially constant with temperature due to the excellent temperature tracking of the monolithic resistor ladder.

The reference current may drift with temperature, causing a change in the absolute accuracy of output current. However, the DAC0808 has a very low full-scale current drift with temperature.

The DAC0808 series is guaranteed accurate to within $\pm 1/2$ LSB at a full-scale output current of 1.992 mA. This corresponds to a reference amplifier output current drive to the ladder network of 2 mA, with the loss of 1 LSB (8 μ A) which is the ladder remainder shunted to ground. The input current to pin 14 has a guaranteed value of between 1.9 and 2.1 mA, allowing some mismatch in the NPN current source pair. The accuracy test circuit is shown in *Figure 4*. The 12-bit converter is calibrated for a full-scale output current of 1.992 mA. This is an optional step since the DAC0808 accuracy is essentially the same between 1.5 and 2.5 mA. Then the DAC0808 circuits' full-scale current is trimmed to the same value with R14 so that a zero value appears at the error amplifier output. The counter is activated and the error band may be displayed on an oscilloscope, detected by comparators, or stored in a peak detector.

Two 8-bit D-to-A converters may not be used to construct a 16-bit accuracy D-to-A converter. 16-bit accuracy implies a total error of $\pm 1/2$ of one part in 65,536 or $\pm 0.00076\%$, which is much more accurate than the $\pm 0.019\%$ specification provided by the DAC0808.

MULTIPLYING ACCURACY

The DAC0808 may be used in the multiplying mode with 8-bit accuracy when the reference current is varied over a range of 256:1. If the reference current in the multiplying mode ranges from 16 μ A to 4 mA, the additional error contributions are less than 1.6 μ A. This is well within 8-bit accuracy when referred to full-scale.

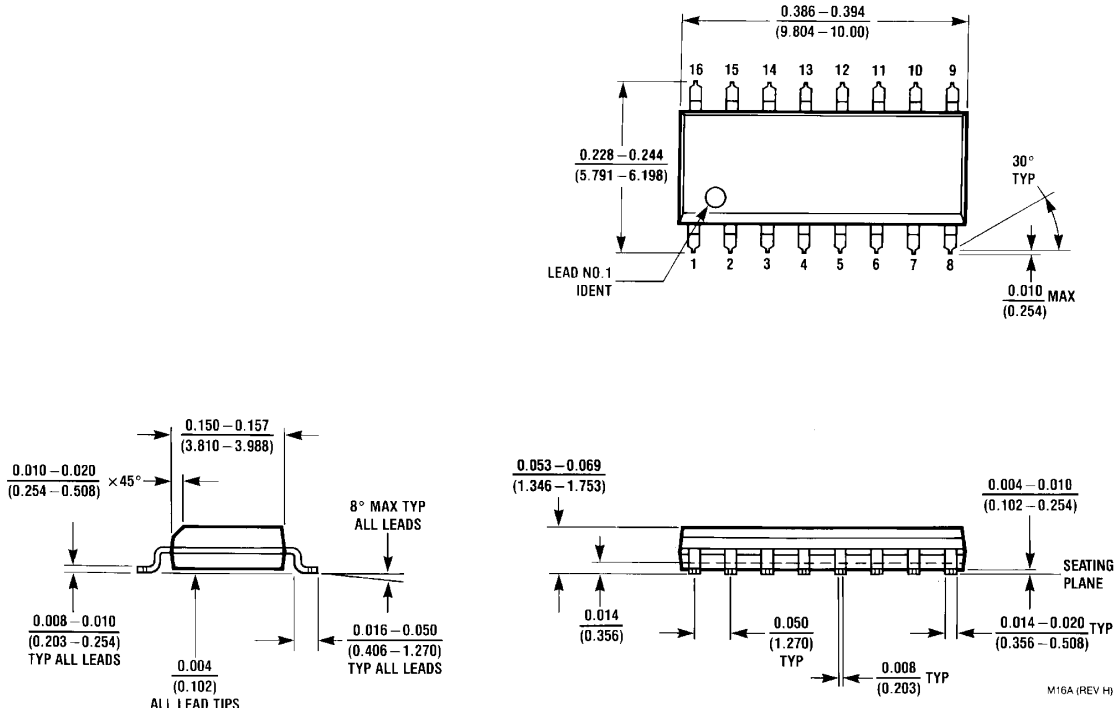
A monotonic converter is one which supplies an increase in current for each increment in the binary word. Typically, the DAC0808 is monotonic for all values of reference current above 0.5 mA. The recommended range for operation with a DC reference current is 0.5 to 4 mA.

SETTLING TIME

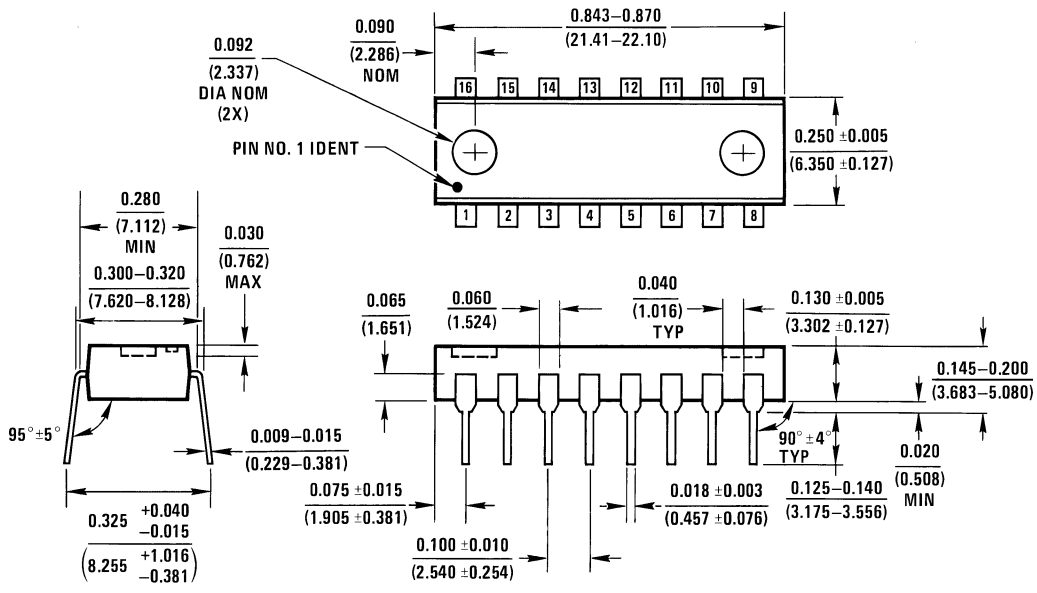
The worst-case switching condition occurs when all bits are switched ON, which corresponds to a low-to-high transition for all bits. This time is typically 150 ns for settling to within $\pm 1/2$ LSB, for 8-bit accuracy, and 100 ns to $1/2$ LSB for 7 and 6-bit accuracy. The turn OFF is typically under 100 ns. These times apply when $R_L \leq 500\Omega$ and $C_O \leq 25$ pF.

Extra care must be taken in board layout since this is usually the dominant factor in satisfactory test results when measuring settling time. Short leads, 100 μ F supply bypassing for low frequencies, and minimum scope lead length are all mandatory.

Physical Dimensions inches (millimeters) unless otherwise noted



Small Outline Package
Order Number DAC0808LCM
NS Package Number M16A



Dual-In-Line Package
Order Number DAC0808
NS Package Number N16A

Notes

LIFE SUPPORT POLICY

NATIONAL'S PRODUCTS ARE NOT AUTHORIZED FOR USE AS CRITICAL COMPONENTS IN LIFE SUPPORT DEVICES OR SYSTEMS WITHOUT THE EXPRESS WRITTEN APPROVAL OF THE PRESIDENT AND GENERAL COUNSEL OF NATIONAL SEMICONDUCTOR CORPORATION. As used herein:

1. Life support devices or systems are devices or systems which, (a) are intended for surgical implant into the body, or (b) support or sustain life, and whose failure to perform when properly used in accordance with instructions for use provided in the labeling, can be reasonably expected to result in a significant injury to the user.
2. A critical component is any component of a life support device or system whose failure to perform can be reasonably expected to cause the failure of the life support device or system, or to affect its safety or effectiveness.



National Semiconductor Corporation
Americas
Email: support@nsc.com

www.national.com

National Semiconductor Europe

Fax: +49 (0) 180-530 85 86
Email: europe.support@nsc.com
Deutsch Tel: +49 (0) 69 9508 6208
English Tel: +44 (0) 870 24 0 2171
Français Tel: +33 (0) 1 41 91 8790

National Semiconductor Asia Pacific Customer Response Group

Tel: 65-2544466
Fax: 65-2504466
Email: ap.support@nsc.com

National Semiconductor Japan Ltd.

Tel: 81-3-5639-7560
Fax: 81-3-5639-7507

IMPORTANT NOTICE

Texas Instruments Incorporated and its subsidiaries (TI) reserve the right to make corrections, modifications, enhancements, improvements, and other changes to its products and services at any time and to discontinue any product or service without notice. Customers should obtain the latest relevant information before placing orders and should verify that such information is current and complete. All products are sold subject to TI's terms and conditions of sale supplied at the time of order acknowledgment.

TI warrants performance of its hardware products to the specifications applicable at the time of sale in accordance with TI's standard warranty. Testing and other quality control techniques are used to the extent TI deems necessary to support this warranty. Except where mandated by government requirements, testing of all parameters of each product is not necessarily performed.

TI assumes no liability for applications assistance or customer product design. Customers are responsible for their products and applications using TI components. To minimize the risks associated with customer products and applications, customers should provide adequate design and operating safeguards.

TI does not warrant or represent that any license, either express or implied, is granted under any TI patent right, copyright, mask work right, or other TI intellectual property right relating to any combination, machine, or process in which TI products or services are used. Information published by TI regarding third-party products or services does not constitute a license from TI to use such products or services or a warranty or endorsement thereof. Use of such information may require a license from a third party under the patents or other intellectual property of the third party, or a license from TI under the patents or other intellectual property of TI.

Reproduction of TI information in TI data books or data sheets is permissible only if reproduction is without alteration and is accompanied by all associated warranties, conditions, limitations, and notices. Reproduction of this information with alteration is an unfair and deceptive business practice. TI is not responsible or liable for such altered documentation. Information of third parties may be subject to additional restrictions.

Resale of TI products or services with statements different from or beyond the parameters stated by TI for that product or service voids all express and any implied warranties for the associated TI product or service and is an unfair and deceptive business practice. TI is not responsible or liable for any such statements.

TI products are not authorized for use in safety-critical applications (such as life support) where a failure of the TI product would reasonably be expected to cause severe personal injury or death, unless officers of the parties have executed an agreement specifically governing such use. Buyers represent that they have all necessary expertise in the safety and regulatory ramifications of their applications, and acknowledge and agree that they are solely responsible for all legal, regulatory and safety-related requirements concerning their products and any use of TI products in such safety-critical applications, notwithstanding any applications-related information or support that may be provided by TI. Further, Buyers must fully indemnify TI and its representatives against any damages arising out of the use of TI products in such safety-critical applications.

TI products are neither designed nor intended for use in military/aerospace applications or environments unless the TI products are specifically designated by TI as military-grade or "enhanced plastic." Only products designated by TI as military-grade meet military specifications. Buyers acknowledge and agree that any such use of TI products which TI has not designated as military-grade is solely at the Buyer's risk, and that they are solely responsible for compliance with all legal and regulatory requirements in connection with such use.

TI products are neither designed nor intended for use in automotive applications or environments unless the specific TI products are designated by TI as compliant with ISO/TS 16949 requirements. Buyers acknowledge and agree that, if they use any non-designated products in automotive applications, TI will not be responsible for any failure to meet such requirements.

Following are URLs where you can obtain information on other Texas Instruments products and application solutions:

Products

Audio	www.ti.com/audio
Amplifiers	amplifier.ti.com
Data Converters	dataconverter.ti.com
DLP® Products	www.dlp.com
DSP	dsp.ti.com
Clocks and Timers	www.ti.com/clocks
Interface	interface.ti.com
Logic	logic.ti.com
Power Mgmt	power.ti.com
Microcontrollers	microcontroller.ti.com
RFID	www.ti-rfid.com
OMAP Mobile Processors	www.ti.com/omap
Wireless Connectivity	www.ti.com/wirelessconnectivity

Applications

Communications and Telecom	www.ti.com/communications
Computers and Peripherals	www.ti.com/computers
Consumer Electronics	www.ti.com/consumer-apps
Energy and Lighting	www.ti.com/energy
Industrial	www.ti.com/industrial
Medical	www.ti.com/medical
Security	www.ti.com/security
Space, Avionics and Defense	www.ti.com/space-avionics-defense
Transportation and Automotive	www.ti.com/automotive
Video and Imaging	www.ti.com/video

TI E2E Community Home Page

e2e.ti.com

Mailing Address: Texas Instruments, Post Office Box 655303, Dallas, Texas 75265
Copyright © 2011, Texas Instruments Incorporated

X-ON Electronics

Largest Supplier of Electrical and Electronic Components

Click to view similar products for [Digital to Analog Converters - DAC category](#):

Click to view products by [Texas Instruments manufacturer](#):

Other Similar products are found below :

[MCP48CVB28-20E/ST](#) [MCP48CVB14-20E/ST](#) [MCP47CMB24-20E/ST](#) [HI5660/6IA](#) [HI5660IB](#) [HI5731BIB](#) [HI5741BIBZ](#) [HI5760BIB](#)
[HI5860IB](#) [ISL5629IN](#) [ISL5729IN](#) [ISL5857IA](#) [ISL5857IB](#) [ISL5861IB](#) [ISL5927IN](#) [ISL5961IA](#) [TLV5614IDR](#) [GP8313-TC50-EW](#)
[AD5689RBRUZ-RL7](#) [AD7528JPZ-REEL](#) [GP8413-TC50-EW](#) [GP8512-TC50-SW](#) [GP8311-TC50-EW](#) [GP8312-TC50-EW](#) [GP8202SL-TC50-](#)
[EW](#) [HGC5615IM/TR](#) [HT8312ARTZ](#) [HT5615ARZ](#) [AD5064BRUZ-1REEL7](#) [AD5664RBRMZ-5REEL7](#) [MCP4725A3T-E/CH](#) [MCP4921-](#)
[E/MC](#) [DAC8218SPAG](#) [BH2226FV-E2](#) [MAX5885EGM+D](#) [MAX5816ATB+T](#) [MAX5815BAUD+](#) [MAX5548ETE+](#) [MAX5805BATB+T](#)
[BU2508FV-E2](#) [BH2226F-E2](#) [DAC8554IPWR](#) [DAC7641YB/250](#) [TLV5638CDR](#) [DAC900TPWRQ1](#) [THS5661AIPWR](#) [MAX5318GUG+](#)
[MAX5705BAUB+](#) [MCP4821-EMC](#) [MAX5820MEUA+](#)