

# DS90UB934-Q1 适用于 1MP/60fps 和 2MP/30fps 摄像机的 12 位 100MHz FPD-Link III 解串器

## 特性

- 符合汽车应用要求
- 符合面向汽车应用的 AEC-Q100 标准，其中包括以下特性：
  - 器件温度等级 2：-40°C 至 +105°C 环境温度工作温度范围
  - 器件 HBM ESD 分类等级 ±2 kV
  - 器件 CDM ESD 分类等级 C4
- 在 12 位模式下以高达 100MHz 的频率运行，以支持 1MP/60fps 和 2MP/30fps 成像器以及卫星雷达
- 可配置的 12 位并行 CMOS，可与 DS90UB913A/933 串行器兼容
- 自适应均衡功能可补偿电缆老化和劣化效应
- 具有数据保护功能的超低延迟双向控制数据通道
- 电缆链路检测诊断
- 支持同轴电缆供电 (PoC) 运行模式
- 符合 ISO 10605 和 IEC 61000-4-2 ESD 标准
- 低辐射发射和低传导发射
- BIST (内置自检)

## 1 应用

- 汽车
  - 后视摄像头 (RVC)
  - 环视系统 (SVS)
  - 摄像头监控系统 (CMS)
  - 前视摄像头 (FC)
  - 驾驶员监控系统 (DMS)
  - 卫星雷达模块
- 安防和监控摄像头
- 工业和医疗成像

## 2 说明

DS90UB934-Q1 FPD-Link III 解串器与 DS90UB913A/933-Q1 串行器配合使用，通过超高速正向通道和嵌入式双向控制通道来支持视频传输需求。DS90UB934-Q1 将 FPD-Link III 流转换到并行 CMOS 输出接口，该接口旨在以 1MP/60fps 和 2MP/30fps 的分辨率支持高达 12 位的 100MHz 汽车图像传感器。

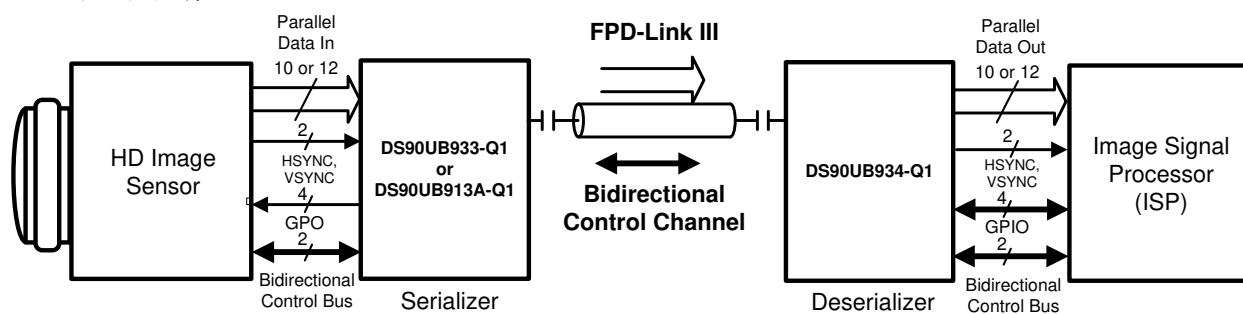
DS90UB933/934 芯片组完全符合 AEC-Q100 标准，旨在通过 50 Ω 单端同轴电缆或 100 Ω 屏蔽双绞线 (STP) 电缆组件接收数据。DS90UB934-Q1 采用先进的自适应均衡器，因此无需额外的编程即可支持各种电缆长度和类型。

DS90UB934-Q1 与先前几代的 ADAS FPD-Link III 解串器器件 (如 DS90UB914A-Q1) 相比有所改进，具有更高的带宽支持和其他增强。

### 器件信息

器件型号	封装 (1)	封装尺寸 (标称值)
DS90UB934-Q1	VQFN (48)	7.00mm × 7.00mm

(1) 如需了解所有可用封装，请参阅数据表末尾的可订购产品附录。



Copyright © 2017, Texas Instruments Incorporated

典型应用原理图



## Table of Contents

特性.....	1	5.3 Feature Description.....	18
1 应用.....	1	5.4 Device Functional Modes.....	20
2 说明.....	1	5.5 Programming.....	26
3 Revision History.....	2	5.6 Register Maps.....	33
Pin Configuration and Functions.....	4	<b>6 Application and Implementation.....</b>	<b>63</b>
4 Specifications.....	8	6.1 Application Information.....	63
4.1 Absolute Maximum Ratings.....	8	6.2 Power Over Coax.....	63
4.2 ESD Ratings.....	8	6.3 Typical Application.....	67
4.3 Recommended Operating Conditions.....	9	6.4 System Examples.....	69
4.4 Thermal Information.....	9	6.5 Power Supply Recommendations.....	70
4.5 DC Electrical Characteristics.....	9	6.6 Layout.....	71
4.6 AC Electrical Characteristics.....	12	<b>7 Device and Documentation Support.....</b>	<b>75</b>
4.7 Recommended Timing for the Serial Control Bus.....	13	7.1 Documentation Support.....	75
4.8 Typical Characteristics.....	16	7.2 术语表.....	75
5 Detailed Description.....	17	7.3 Receiving Notification of Documentation Updates....	75
5.1 Overview.....	17	7.4 支持资源.....	75
5.2 Functional Block Diagram.....	18	7.5 Trademarks.....	75

## 3 Revision History

### Changes from Revision B (October 2018) to Revision C (September 2022)

Page

• 更新了整个文档中的表格、图和交叉参考的编号格式.....	1
• Added description for reprogramming VIH and VIL thresholds and changed VDDIO to VI2C (pin 25) .....	4
• Added description for reprogramming VIH and VIL thresholds (pins 1 and 2) .....	4
• Added I2C target Operation description updated from DS90UB954 datasheet.....	28
• Added Remote target Operation information/description copied over from DS90UB954 data sheet.....	28
• Added section on Remote I2C targets Data Throughput copied from the DS90UB954 data sheet.....	29
• Added section on Remote Target Addressing copied over from DS90UB954 data sheet.....	29
• Added broadcast write to remote target devices. Copied from DS90UB954 data sheet.....	29
• Added section for Code Example for Broadcast Write. Copied from DS90UB954 data sheet.....	30
• Added registers 0x3F to 0x43.....	34
• Changed I/O to VDDIO and added VDDIO to register 0x0D bits 7 and 6.....	34
• Added Indirect Access Registers Section .....	59
• Added Indirect Access Register Map.....	60
• Added FPD3 Channel 0 Registers table.....	60
• Added FPD3 Channel 1 Registers table.....	61
• Added FPD3 RX Shared Registers table.....	61
• Added reset information below power up sequencing figure. Copied from DS90UB914 data sheet.....	70

### Changes from Revision A (January 2017) to Revision B (October 2018)

Page

• Added that unused GPIOs can be left open or floating.....	4
• Added that PDB is internal pull down enabled.....	4
• Added description for selecting pull up resistor for OSS_SEL.....	4
• Added description for selecting pull up resistor for OEN.....	4
• Removed S, PD type for RES (pin 44).....	4
• Removed S, PD type for RES (pin 43) and added it must be tied to GND. ....	4
• Added PDB test conditions for the LVCMOS IO voltage parameter in the <i>Absolute Maximum Ratings</i> table ....	8
• Changed typical LVCMOS low-to-high transition time value from: 2.5 ns to: 2 ns.....	12
• Changed maximum LVCMOS low-to-high transition time value from: 4 ns to: 3 ns.....	12

• Changed typical LVCMOS high-to-low transition time value from: 2.5 ns to: 2 ns .....	12
• Changed maximum LVCMOS high-to-low transition time value from: 4 ns to: 3 ns .....	12
• Changed receiver clock jitter test condition from: SSCG[3:0] = OFF to: SSCG[0] = OFF.....	12
• Changed deserializer period jitter test condition from: SSCG[3:0] = OFF to: SSCG[0] = OFF.....	12
• Changed deserializer cycle-to-cycle clock jitter test condition from: SSCG[3:0] = OFF to: SSCG[0] = OFF....	12
• Changed input jitter symbol from: TOL <sub>JIT</sub> to: T <sub>IJIT</sub> .....	12
• Added reference to compatibility with DS90UB953-Q1/935-Q1 serializers .....	17
• Added column for DS90UB953-Q1/935-Q1.....	20
• Added clarification on input mode selection .....	20
• Fixed typo in Figure 13 supply rail text .....	20
• Changed pullup power supply node from VDDIO to V(I2C).....	26
• Removed pullup resistor recommendation.....	26
• Updated description of clock frequency during BIST operation.....	32
• Fixed typos in register maps.....	33
• Updated register "TYPE" column per legend .....	33
• Fixed typo in register name.....	34
• Added Power Over Coax section .....	63
• Updated return loss S11 values .....	63
• Added STP typical connection diagram .....	67
• Updated recommendation for common ground plane.....	71
• Updated recommendation for bypass capacitors.....	71
• Updated typical bypass capacitor value from 50 uF to 47 uF.....	71

---

**Changes from Revision \* (September 2016) to Revision A (January 2017)**
**Page**

• 将“产品预发布”更改为“量产数据” .....	1
• Fixed broken link in <i>Power Over Coax</i> section.....	63

---

## Pin Configuration and Functions

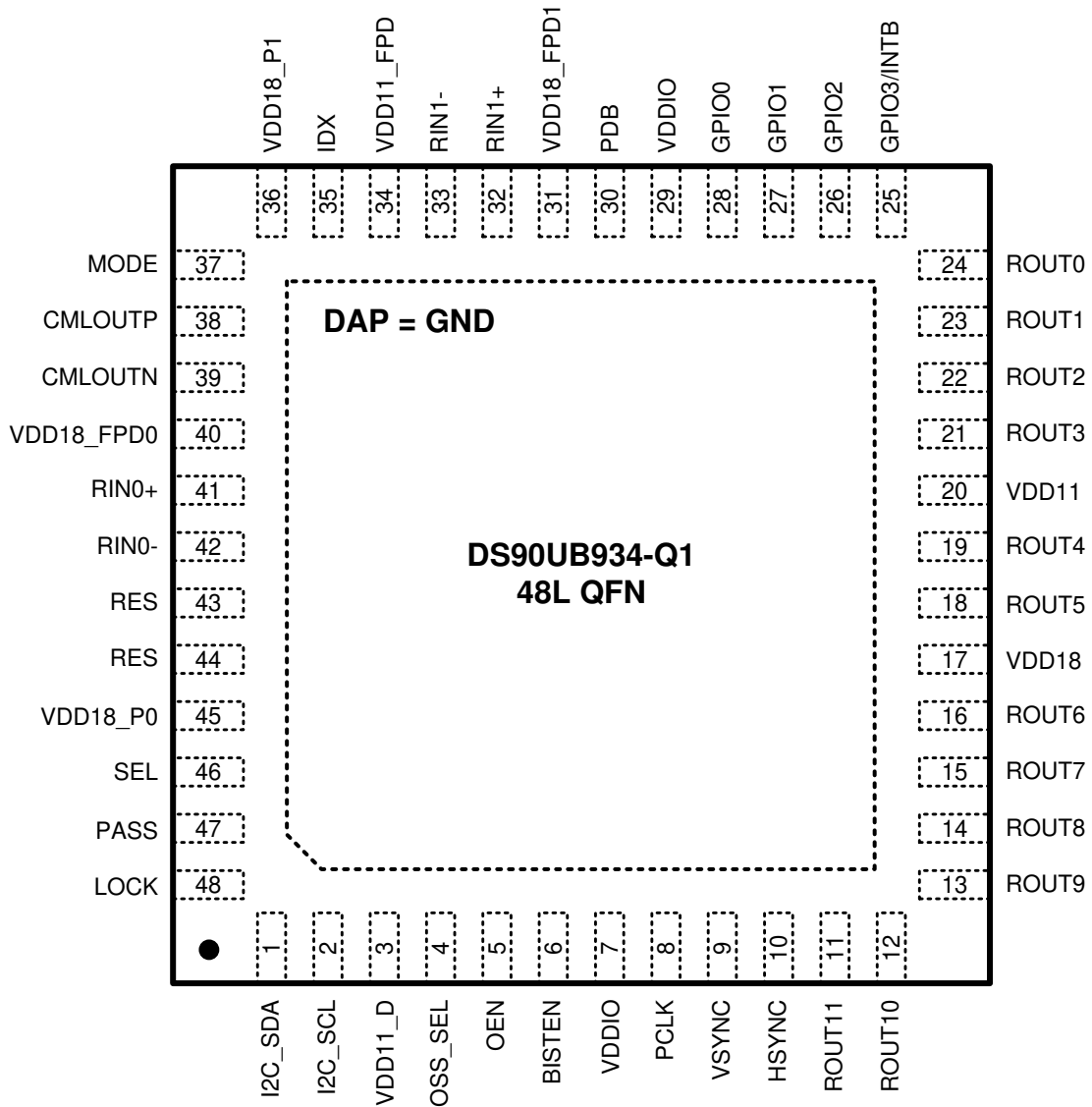


图 4-1. RGZ Package 48-Pin VQFN With Thermal Pad Top View

**表 4-1. Pin Functions**

PIN		I/O TYPE	DESCRIPTION
NAME	NO.		
<b>RECEIVE DATA PARALLEL OUTPUT</b>			
ROUT0	24	O	RECEIVE DATA OUTPUT: This signal carries data from the FPD-LINK III deserializer to the processor. Output is parallel, configurable for up to 12 bits (ROUT0 - ROUT11) single ended outputs. VDDIO logic levels. For unused outputs leave as No Connect.
ROUT1	23		
ROUT2	22		
ROUT3	21		
ROUT4	19		
ROUT5	18		
ROUT6	16		
ROUT7	15		
ROUT8	14		
ROUT9	13		
ROUT10	12		
ROUT11	11		
HSYNC	10	O	Horizontal SYNC output. VDDIO logic levels.
VSNC	9	O	Vertical SYNC output. VDDIO logic levels.
PCLK	8	O	Pixel clock (PCLK) output. VDDIO logic levels.
<b>GPIO</b>			
GPIO0	28	I/O, PD	General purpose input/output: Pins can be used to control and respond to various commands. They may be configured to be the input signals for the corresponding GPOs on the serializer or they may be configured to be outputs to follow local register settings. At power up the GPIO are disabled and by default include a 25-k $\Omega$ (typical) pulldown resistor. VDDIO logic levels. Unused GPIOs can be left open or floating.
GPIO1	27		
GPIO2	26		
GPIO3/INTB	25	I/O, Open Drain	General purpose input/output: Pin GPIO3 can be configured to be an input signal for GPOs on the serializer. Pin 25 is shared with INTB. Pull up with 4.7 k $\Omega$ to V <sub>I2C</sub> . Programmable input/output pin is an active-low open drain and controlled by the status registers. The INTB VIH and VIL thresholds will be set based on the VDDIO voltage as the default and can be reprogrammed by the IO_CTL register. Unused GPIOs can be left open or floating.
<b>FPD-LINK III INTERFACE</b>			
RIN0+	41	I/O	Receive input channel 0: Differential FPD-Link receiver and bidirectional control back channel output. The IO must be AC coupled. There is internal 100 $\Omega$ differential termination between RIN0+ and RIN0-. For applications using single-ended coaxial channel connect RIN0+ with 100-nF, AC-coupling capacitor and terminate RIN0- to GND with a 47-nF capacitor and 50- $\Omega$ resistor. For STP applications connect both RIN0+ and RIN0- with 100-nF, AC-coupling capacitor.
RIN0-	42		
RIN1+	32	I/O	Receive input channel 1: Differential FPD-Link receiver and bidirectional control back channel output. The IO must be AC coupled. There is internal 100 $\Omega$ differential termination between RIN1+ and RIN1-. For applications using single-ended coaxial channel connect RIN0+ with 100nF AC coupling capacitor and terminate RIN1- to Ground with a 47 nF capacitor and 50 ohm resistor. For STP applications connect both RIN1+ and RIN1- with 100 nF AC coupling capacitor.
RIN1-	33		
<b>I2C PINS</b>			
I2C_SCL	2	I/O, Open Drain	I2C serial clock: Clock line for the bidirectional control bus communication. External 2-k $\Omega$ to 4.7-k $\Omega$ pullup resistor to V <sub>I2C</sub> recommended per I2C interface standards. The I2C VIH and VIL thresholds will be set based on the VDDIO voltage as the default and can be reprogrammed by the IO_CTL register.
I2C_SDA	1	I/O, Open Drain	I2C serial data: Data line for bidirectional control bus communication. External 2-k $\Omega$ to 4.7-k $\Omega$ pullup resistor to V <sub>I2C</sub> recommended per I2C interface standards. The I2C VIH and VIL thresholds will be set based on the VDDIO voltage as the default and can be reprogrammed by the IO_CTL register.
<b>CONFIGURATION and CONTROL PINS</b>			

表 4-1. Pin Functions (continued)

PIN		I/O TYPE	DESCRIPTION
NAME	NO.		
IDX	35	S	Input. I2C serial control bus device ID address. Connect to external pullup to VDD18 (pin 17) and pull down to GND to create a voltage divider. See 表 5-7.
MODE	37	S	Mode select configuration input to set operating mode based on input voltage level. Typically connected to voltage divider via external pullup to VDD18 (pin 17) and pulldown to GND. See 表 5-2.
PDB	30	S, PD	Power-down inverted Input Pin. This pin is internal pull down enabled. When PDB input is brought HIGH, the device is enabled. Asserting PDB signal low powers down the device and consume minimum power. The default function of this pin is PDB = LOW; POWER DOWN. This pin has a 50-k $\Omega$ (typical) internal pulldown resistor. <i>INPUT IS 3.3 V TOLERANT.</i> PDB = 1.8 V, device is enabled (normal operation) PDB = 0, device is powered down.
SEL	46	S,PD	MUX select: Digital input for selecting FPD Link input channel 0 (A) or channel 1 (B). The default state of SEL = L, selects RIN0, input A, as the active channel on the deserializer. Asserting SEL = H selects RIN1 input B as the active channel on the deserializer. This pin has a 25-k $\Omega$ (typical) internal pulldown resistor. VDDIO logic levels.
OSS_SEL	4	S, PD	Output sleep state select pin for enabling output sleep state. This pin has a 25-k $\Omega$ (typical) internal pulldown resistor. If unused, connect to VDD. If using pullup resistor to connect to VDD, the resistor value should be $\leq$ 4.3-k $\Omega$ . VDDIO logic levels. See 表 5.4.2.
OEN	5	S, PD	Output enable. This pin has a 1-M $\Omega$ (typical) internal pulldown resistor. If unused, connect to VDD. If using pullup resistor to connect to VDD, the resistor value should be $\leq$ 4.3-k $\Omega$ . VDDIO logic levels. See 表 5.4.2.
<b>DIAGNOSTIC PINS</b>			
CMLOUTP	38	O	Channel monitor loop-through (CML) driver differential output. Typically routed to test points and not connected. For monitoring terminate CMLOUT with a 100- $\Omega$ differential load.
CMLOUTN	39		
BISTEN	6	S, PD	BIST enable: BISTEN = H, BIST mode is enabled BISTEN = L, BIST mode is disabled. See 表 5.5.2.4 for more information. This pin has a 25-k $\Omega$ (typ) internal pulldown resistor. VDDIO logic levels.
PASS	47	O	PASS Output: PASS = H, ERROR FREE transmission in forward channel operation. PASS = L, one or more errors were detected in the received payload. See 表 5.5.2.4 for more information. Leave No Connect if unused. Typically route to test point for monitoring. VDDIO logic levels.
LOCK	48	O	LOCK Status: Output pin for monitoring lock status of FPD-Link III channel. LOCK = H, PLL is Locked, outputs are active. LOCK = L, PLL is unlocked, may be used as link status. VDDIO logic levels.
RES	44	-	Reserved. Must be NC or tied to GND for normal operation.
RES	43	-	Reserved. This pin has internal pull-up resistor. Must be tied to GND for normal operation.
<b>POWER AND GROUND</b>			
VDDIO	7,29	P	VDDIO voltage supply input: The single-ended outputs and control input are powered from VDDIO. VDDIO can be connected to a 1.8-V, $\pm$ 5% or 3-V to 3.6-V power rail. Each pin requires a minimum 10-nF capacitor to GND.
VDD18	17	P	1.8-V ( $\pm$ 5%) power supply. Requires 1- $\mu$ F, 0.1- $\mu$ F, and 0.01- $\mu$ F capacitors to GND at each VDD pin.
VDD18_P0 VDD18_P1	45 36	P	1.8-V ( $\pm$ 5%) PLL power supplies. Requires 1- $\mu$ F, 0.1- $\mu$ F, and 0.01- $\mu$ F capacitors to GND at each VDD pin.
VDD18_FPD0 VDD18_FPD1	40 31	P	1.8-V ( $\pm$ 5%) high-speed transceiver (HSTRX) analog power supplies. Requires 10- $\mu$ F, 0.1- $\mu$ F, and 0.01- $\mu$ F capacitors to GND at each VDD pin.
VDD11_FPD	34	D	Decoupling capacitor connection for internal analog regulator. Requires a minimum 4.7- $\mu$ F capacitor to GND and must not be connected to other 1.1-V supply rails.
VDD11_DVP	20	D	Decoupling capacitor connection for internal mixed signal regulator. Requires a minimum 4.7- $\mu$ F capacitor to GND and must not be connected to other 1.1-V supply rails.
VDD11_D	3	D	Decoupling capacitor connection for internal digital regulator. Requires a minimum 4.7- $\mu$ F capacitor to GND and must not be connected to other 1.1-V supply rails.

**表 4-1. Pin Functions (continued)**

PIN		I/O TYPE	DESCRIPTION
NAME	NO.		
GND	DAP	G	DAP is the large metal contact at the bottom side, located at the center of the QFN package. Connect to the ground plane (GND).

The definitions below define the functionality of the I/O cells for each pin. TYPE:

- I = Input
- O = Output
- I/O = Input/Output
- S = Configuration pin (All strap pins have internal pull-downs. If the default strap value needs to be changed then use an external resistor.)
- PD = Internal pull-down
- P, G = Power supply, ground
- D = Decoupling pin for internal voltage rail

## 4 Specifications

### 4.1 Absolute Maximum Ratings

Over operating free-air temperature range (unless otherwise noted)<sup>(1) (2)</sup>

		MIN	MAX	UNIT
Supply voltage	VDD18 (VDD18, VDD18_P1, VDD18_P0, VDD18_FPD0, VDD18_FPD1)	- 0.3	2.16	V
	VDDIO	- 0.3	3.96	
FPD-Link III input voltage	RIN0+, RIN0 -, RIN1+, RIN1 - Device powered up (VDD18 and VDDIO within recommended operating conditions)	- 0.3	2.75	V
	RIN0+, RIN0 -, RIN1+, RIN1 - Device powered down (VDD18 and VDDIO below recommended operating conditions) Transient Voltage	- 0.3	1.45	
	RIN0+, RIN0 -, RIN1+, RIN1 - Device powered down (VDD18 and VDDIO below recommended operating conditions) DC Voltage	- 0.3	1.35	
LVCMOS IO voltage	ROUT[11:0], PCLK, VSYNC, HSYNC, GPIO0, GPIO1, GPIO2, SEL, OSS_SEL, OEN, BISTEN, PASS, LOCK	- 0.3	$V_{(VDDIO)} + 0.3$	V
	PDB	- 0.3	3.96	
Configuration input voltage	MODE, IDX	- 0.3	$V_{(VDD18)} + 0.3$	V
Open-drain voltage	GPIO3/INTB, I2C_SDA, I2C_SCL	- 0.3	3.96	
Junction temperature			150	°C
Storage temperature, T <sub>stg</sub>		- 65	150	°C

- (1) If Military/Aerospace specified devices are required, contact the Texas Instruments Sales Office or Distributors for availability and specifications.
- (2) Stresses beyond those listed under *Absolute Maximum Ratings* may cause permanent damage to the device. These are stress ratings only, which do not imply functional operation of the device at these or any other conditions beyond those indicated under [# 4.3](#). Exposure to absolute-maximum-rated conditions for extended periods may affect device reliability.

### 4.2 ESD Ratings

			VALUE	UNIT
V <sub>(ESD)</sub> Electrostatic discharge	Human body model (HBM), per AEC Q100-002 <sup>(1)</sup>	RIN0+, RIN0 -, RIN1+, RIN1 -	±2000	V
		Other pins	±2000	
	Charged device model (CDM), per AEC Q100-011		±750	
	ESD Rating (IEC 61000-4-2) R <sub>D</sub> = 330 Ω, C <sub>S</sub> = 150 pF	Contact Discharge (RIN0+, RIN0 -, RIN1+, RIN1 -)	±8000	
		Air Discharge (RIN0+, RIN0 -, RIN1+, RIN1 -)	±15000	
	ESD Rating (ISO 10605) R <sub>D</sub> = 330 Ω, C <sub>S</sub> = 150 pF and 330 pF R <sub>D</sub> = 2 k Ω, C <sub>S</sub> = 150 pF and 330 pF	Contact Discharge (RIN0+, RIN0 -, RIN1+, RIN1 -)	±8000	
		Air Discharge (RIN0+, RIN0 -, RIN1+, RIN1 -)	±15000	

- (1) AEC Q100-002 indicates HBM stressing is done in accordance with the ANSI/ESDA/JEDEC JS-001 specification.



### 4.3 Recommended Operating Conditions

Over operating free-air temperature range (unless otherwise noted)

		MIN	NOM	MAX	UNIT
Supply voltage	$V_{(VDD18)}$	1.71	1.8	1.89	V
LVCMOS supply voltage	$V_{(VDDIO)} = 1.8\text{ V}$	1.71	1.8	1.89	V
	$V_{(VDDIO)} = 3.3\text{ V}$	3.0	3.3	3.6	V
Operating free-air temperature, $T_A$		- 40	25	105	°C
Data rate		0.7		1.87	Gbps
PCLK frequency		25		100	MHz
Local I <sup>2</sup> C frequency, $f_{I2C}$				1	MHz
Supply Noise <sup>(1) (3)</sup>	$V_{(VDD18)}$			50	mV <sub>P-P</sub>
	$V_{(VDDIO)}$			50	
Power-over-Coax noise <sup>(2)</sup>	RIN0+, RIN0-, RIN1+, RIN1-		20		

- (1) DC-50 MHz
- (2) Measured across RIN[1:0]+ and RIN[1:0]- terminals
- (3) Specification is ensured by design and/or characterization and is not tested in production.

### 4.4 Thermal Information

THERMAL METRIC <sup>(1)</sup>		DS90UB934-Q1	UNIT
		RGZ (VQFN)	
		48 PINS	
$R_{\theta JA}$	Junction-to-ambient thermal resistance	30.3	°C/W
$R_{\theta JC(TOP)}$	Junction-to-case (top) thermal resistance	12.3	°C/W
$R_{\theta JC(BOT)}$	Junction-to-case (bottom) thermal resistance	1.2	°C/W
$R_{\theta JB}$	Junction-to-board thermal resistance	6.9	°C/W
$\psi_{JT}$	Junction-to-top characterization parameter	0.2	°C/W
$\psi_{JB}$	Junction-to-board characterization parameter	6.8	°C/W

- (1) For more information about traditional and new thermal metrics, see the [Semiconductor and IC Package Thermal Metrics](#) (SPRA953).

### 4.5 DC Electrical Characteristics

Over recommended operating supply and temperature ranges unless otherwise specified.

PARAMETER	TEST CONDITIONS	PIN OR FREQUENCY	MIN	TYP	MAX	UNIT
<b>TOTAL POWER CONSUMPTION</b>						
$P_T$	Total Power Consumption normal operation See <a href="#">图 4-5</a>	Worst Case pattern Default registers	$V_{(VDD18)} = V_{(VDDIO)} = 1.89\text{ V}$	500	685	mW
			$V_{(VDD18)} = 1.89\text{ V}, V_{(VDDIO)} = 3.6\text{ V}$	900	1125	

## 4.5 DC Electrical Characteristics (continued)

Over recommended operating supply and temperature ranges unless otherwise specified.

PARAMETER		TEST CONDITIONS		PIN OR FREQUENCY	MIN	TYP	MAX	UNIT
<b>SUPPLY CURRENT</b>								
$I_{DD}$	Deserializer Supply Current (includes load current). See <a href="#">Figure 4-5</a> .	f = 100 MHz, 10-bit mode $V_{(VDD18)} = 1.89$ V Worst Case Pattern, Default Registers $C_L = 8$ pF	$V_{(VDDIO)} = 1.89$ V OR 3.6 V	VDD18			250	mA
			$V_{(VDDIO)} = 1.89$ V	VDDIO			60	
			$V_{(VDDIO)} = 3.6$ V	VDDIO			145	
		f = 100 MHz, 12-bit HF mode $V_{(VDD18)} = 1.89$ V Worst Case Pattern, Default Registers $C_L = 8$ pF	$V_{(VDDIO)} = 1.89$ V OR 3.6 V	VDD18			270	
			$V_{(VDDIO)} = 1.89$ V	VDDIO			90	
			$V_{(VDDIO)} = 3.6$ V	VDDIO			170	
		f = 50 MHz, 12-bit LF mode $V_{(VDD18)} = 1.89$ V Worst Case Pattern, Default Registers $C_L = 8$ pF	$V_{(VDDIO)} = 1.89$ V OR 3.6 V	VDD18			240	
			$V_{(VDDIO)} = 1.89$ V	VDDIO			80	
			$V_{(VDDIO)} = 3.6$ V	VDDIO			155	
$I_{DDZ}$	Deserializer Power Down Supply Current	$V_{(VDD18)} = 1.89$ V, $V_{(VDDIO)} = 3.6$ V PDB = L, All other LVCMOS inputs = 0V, Default Registers		VDD18			30	mA
				VDDIO			10	
<b>1.8-V LVCMOS I/O<sup>(1)</sup></b>								
$V_{OH}$	High Level Output Voltage	$I_{OH} = -2$ mA	$V_{(VDDIO)} = 1.71$ V to 1.89 V	ROUT[11:0], HSYNC,	$V_{(VDDIO)} - 0.45$		$V_{(VDDIO)}$	V
$V_{OL}$	Low Level Output Voltage	$I_{OL} = 2$ mA	$V_{(VDDIO)} = 1.71$ V to 1.89 V	VSYN, LOCK, PASS	GND		0.45	V
$V_{IH}$	High Level Input Voltage	$V_{(VDDIO)} = 1.71$ V to 1.89 V		GPIO[3:0], PDB, OEN, SEL, OSS_SEL, BISTEN	$0.65 \times V_{(VDDIO)}$		$V_{(VDDIO)}$	V
$V_{IL}$	Low Level Input Voltage	$V_{(VDDIO)} = 1.71$ V to 1.89 V			GND		$0.35 \times V_{(VDDIO)}$	V
$I_{IH}$	Input High Current	$V_{IN} = 1.71$ V to 1.89 V		GPIO[3:0] <sup>(4)</sup> , OEN	-20		20	$\mu$ A
				GPIO[2:0] <sup>(5)</sup> , SEL, PDB, OSS_SEL, BISTEN	-100		100	
$I_{IL}$	Input Low Current	$V_{IN} = 0$ V		GPIO[3:0], PDB, OEN, SEL, OSS_SEL, BISTEN	-20		20	$\mu$ A
$I_{OS}$	Output Short Circuit Current	$V_{OUT} = 0$ V				-17		mA
$I_{OZ}$	TRI-STATE Output Current	$V_{OUT} = 0$ V or $V_{(VDDIO)}$ , PDB = L			-20		20	$\mu$ A
<b>3.3-V LVCMOS I/O<sup>(6)</sup></b>								
$V_{OH}$	High Level Output Voltage	$I_{OH} = -4$ mA	$V_{(VDDIO)} = 3.0$ V to 3.6 V	GPIO[3:0], ROUT[11:0], HSYNC, VSYN, LOCK, PASS	2.4		$V_{(VDDIO)}$	V
$V_{OL}$	Low Level Output Voltage	$I_{OL} = 4$ mA	$V_{(VDDIO)} = 3.0$ V to 3.6 V		GND		0.4	V
$V_{IH}$	High Level Input Voltage	$V_{(VDDIO)} = 3.0$ V to 3.6 V		GPIO[3:0], OEN, SEL, OSS_SEL, BISTEN	2		$V_{(VDDIO)}$	V
				PDB	1.17		$V_{(VDDIO)}$	

## 4.5 DC Electrical Characteristics (continued)

Over recommended operating supply and temperature ranges unless otherwise specified.

PARAMETER		TEST CONDITIONS	PIN OR FREQUENCY	MIN	TYP	MAX	UNIT	
V <sub>IL</sub>	Low Level Input Voltage	V <sub>(VDDIO)</sub> = 3.0 V to 3.6 V	GPIO[3:0], OEN, SEL, OSS_SEL, BISTEN	GND		0.8	V	
			PDB	GND		0.63		
I <sub>IH</sub>	Input High Current	V <sub>IN</sub> = 3.0 V to 3.6 V	GPIO[3:0] <sup>(4)</sup> , OEN, PDB	-20		20	μA	
			GPIO[2:0] <sup>(5)</sup> , SEL, OSS_SEL, BISTEN	-190		190		
I <sub>IL</sub>	Input Low Current	V <sub>IN</sub> = 0 V	GPIO[3:0], OEN, SEL, OSS_SEL, BISTEN, PDB	-20		20	μA	
I <sub>OS</sub>	Output Short Circuit Current	V <sub>OUT</sub> = 0 V			-40		mA	
I <sub>OZ</sub>	TRI-STATE Output Current	V <sub>OUT</sub> = 0 V or V <sub>(VDDIO)</sub> , PDB = LOW		-60		60	μA	
<b>I2C SERIAL CONTROL BUS<sup>(2)</sup></b>								
V <sub>IH</sub>	Input High Level		I2C_SDA, I2C_SCL	0.7 × V <sub>(VDDIO)</sub>		V <sub>(VDDIO)</sub>	V	
V <sub>IL</sub>	Input Low Level			GND		0.3 × V <sub>(VDDIO)</sub>		V
V <sub>HY</sub>	Input Hysteresis			50				mV
V <sub>OL</sub>	Output Low Level	Standard/Fast Mode - I <sub>OL</sub> = 4 mA; Fast Plus Mode - I <sub>OL</sub> = 20 mA		0		0.4		V
I <sub>IH</sub>	Input High Current	V <sub>IN</sub> = V <sub>(VDDIO)</sub>		-10		10		μA
I <sub>IL</sub>	Input Low Current	V <sub>IN</sub> = 0V		-10		10		μA
C <sub>IN</sub>	Input Capacitance <sup>(3)</sup>				5		10	pF
<b>FPD-LINK III INPUT</b>								
V <sub>CM</sub>	Common Mode Voltage See <a href="#">Fig 4-2</a> .				1.2		V	
R <sub>T</sub>	Internal Termination Resistor	Single Ended		40	50	60	Ω	
		Differential		80	100	120		
<b>FPD-LINK III BIDIRECTIONAL CONTROL CHANNEL</b>								
V <sub>OUT-BC</sub>	Back Channel Single-Ended Output Voltage	RL = 50 Ω, Coaxial configuration, forward channel disabled	RIN0+, RIN1+	190		260	mV	
V <sub>OD-BC</sub>	Back Channel Differential Output Voltage	RL = 100 Ω, STP configuration, forward channel disabled	RIN0+, RIN0 - RIN1+, RIN1 -	380		520	mV	

(1) V<sub>(VDDIO)</sub> = 1.8 V ± 5%

(2) V<sub>(VDDIO)</sub> = 1.8 V ± 5% **OR** 3.0 V to 3.6 V

(3) Specification is ensured by design and/or characterization and is not tested in production.

(4) GPIO[2:0] Pulldown disabled; Register 0xBE = 0x03

(5) GPIO[2:0] Pulldown enabled; Register 0xBE = 0x00

(6) V<sub>(VDDIO)</sub> = 3.0 V to 3.6 V

## 4.6 AC Electrical Characteristics

Over recommended operating supply and temperature ranges unless otherwise specified.

PARAMETER		TEST CONDITIONS	PIN OR FREQUENCY	MIN	TYP	MAX	UNIT
<b>LVC MOS I/O</b>							
t <sub>RCP</sub>	Receiver Output Clock Period. See 图 4-7.	10-bit Mode	PCLK, 50 - 100 MHz	10		20	ns
		12-bit HF Mode	PCLK, 37.5 - 100 MHz	10		26.7	
		12-bit LF Mode	PCLK, 25 - 50 MHz	20		40	
t <sub>PDC</sub>	PCLK Duty Cycle <sup>(1)</sup>	10-bit Mode	PCLK	45%	50%	55%	
		12-bit HF or LF Mode		40%	50%	60%	
t <sub>CLH</sub>	LVC MOS Low-to-High Transition Time <sup>(1)</sup> See 图 4-1.		PCLK		2	2.8	ns
t <sub>CHL</sub>	LVC MOS High-to-Low Transition Time <sup>(1)</sup> See 图 4-1.		PCLK		2	2.8	ns
t <sub>CLH</sub>	LVC MOS Low-to-High Transition Time <sup>(1)</sup> See 图 4-1.	V <sub>(VDDIO)</sub> = 1.71 V to 1.89 V OR V <sub>(VDDIO)</sub> = 3.0 V to 3.6 V CL = 8 pF (lumped load) Default Registers	ROUT[11:0], HSYNC, VSYNC, GPIO[2:0]		2	3	ns
t <sub>CHL</sub>	LVC MOS High-to-Low Transition Time <sup>(1)</sup> See 图 4-1.		ROUT[11:0], HSYNC, VSYNC, GPIO[2:0]		2	3	ns
t <sub>ROS</sub>	ROUT Setup Data to PCLK <sup>(1)</sup> See 图 4-7.		PCLK, ROUT[11:0], HSYNC, VSYNC	0.38T	0.5T		ns
t <sub>ROH</sub>	ROUT Hold Data to PCLK <sup>(1)</sup> See 图 4-7.		PCLK, ROUT[11:0], HSYNC, VSYNC	0.38T	0.5T		ns
t <sub>DD</sub>	Deserializer Delay <sup>(1)</sup> See 图 4-6.	Default Registers (RRFB = 1)	10-bit mode			175T	ns
			12-bit HF mode			100T	
			12-bit LF mode			65T	
t <sub>DDLT</sub>	Deserializer Data Lock Time See 图 4-3.	Digital Reset, or PDB = HIGH to LOCK = HIGH	10-bit mode			22	ms
			12-bit HF mode			22	
			12-bit LF mode			22	
t <sub>RCJ</sub>	Receiver Clock Jitter <sup>(1)</sup>	PCLK, SSCG[0] = OFF	10-bit mode		40	70	ps
			12-bit HF mode		52	90	
			12-bit LF mode		45	85	
t <sub>DPJ</sub>	Deserializer Period Jitter <sup>(1)</sup>	PCLK, SSCG[0] = OFF	10-bit mode		885	1020	ps
			12-bit HF mode		420	880	
			12-bit LF mode		400	515	
t <sub>DCCJ</sub>	Deserializer Cycle-to-Cycle Clock Jitter <sup>(1) (2)</sup>	PCLK, SSCG[0] = OFF	10-bit mode		1360	1800	ps
			12-bit HF mode		1280	1500	
			12-bit LF mode		890	1150	
f <sub>dev</sub>	Spread Spectrum Clocking Deviation Frequency See 图 4-9.	LVC MOS Output Bus, SSCG[0] = ON	25 - 100 MHz		±0.5% to ±2.5%		
f <sub>mod</sub>	Spread Spectrum Clocking Modulation Frequency See 图 4-9.	LVC MOS Output Bus, SSCG[0] = ON	25 - 100 MHz		5 to 50		kHz
<b>FPD-Link III</b>							
V <sub>IN</sub>	Single Ended Input Voltage See 图 4-2.	Coaxial configuration. 1010 pattern applied to the far end of a 15 meter cable. V <sub>IN</sub> measured after the cable, at the deserializer input pins.			50		mV

## 4.6 AC Electrical Characteristics (continued)

Over recommended operating supply and temperature ranges unless otherwise specified.

PARAMETER		TEST CONDITIONS	PIN OR FREQUENCY	MIN	TYP	MAX	UNIT
<b>LVC MOS I/O</b>							
$V_{ID}$	Differential Input Voltage See <a href="#">图 4-2</a> .	STP Configuration. 1010 pattern applied to the far end of a 15 meter cable. $V_{ID}$ measured after the cable, at the deserializer input pins.			100		mV
$f_{BC}$	Back Channel Frequency		RIN0+, RIN0 - RIN1+, RIN1 -	3.5		5.5	MHz
$T_J$	Back Channel Jitter <sup>(1)</sup>				7	15	ns
$T_{IJIT}$	Input Jitter	10MHz Sinusoidal Jitter applied to FPD-Link III input				0.4	UI <sup>(3)</sup>

(1) Specification is ensured by design and/or characterization and is not tested in production.

(2) Specification is ensured by characterization

(3) 1UI = 1 bit time of FPD-Link Forward channel

## 4.7 Recommended Timing for the Serial Control Bus

Over I<sup>2</sup>C supply and temperature ranges unless otherwise specified.

			MIN	MAX	UNIT
<b>I<sup>2</sup>C SERIAL CONTROL BUS (<a href="#">图 4-4</a>)</b>					
$f_{SCL}$	SCL Clock Frequency	Standard-mode	>0	100	kHz
		Fast-mode	>0	400	
		Fast-mode Plus	>0	1000	
$t_{LOW}$	SCL Low Period	Standard-mode	4.7	$\mu$ s	
		Fast-mode	1.3		
		Fast-mode Plus	0.5		
$t_{HIGH}$	SCL High Period	Standard-mode	4	$\mu$ s	
		Fast-mode	0.6		
		Fast-mode Plus	0.26		
$t_{HD,STA}$	Hold time for a start or a repeated start condition	Standard-mode	4	$\mu$ s	
		Fast-mode	0.6		
		Fast-mode Plus	0.26		
$t_{SU,STA}$	Set Up time for a start or a repeated start condition	Standard-mode	4.7	$\mu$ s	
		Fast-mode	0.6		
		Fast-mode Plus	0.26		
$t_{HD,DAT}$	Data Hold Time	Standard-mode	0	$\mu$ s	
		Fast-mode	0		
		Fast-mode Plus	0		
$t_{SU,DAT}$	Data Set Up Time	Standard-mode	250	ns	
		Fast-mode	100		
		Fast-mode Plus	50		
$t_{SU,STO}$	Set Up Time for STOP Condition	Standard-mode	4	$\mu$ s	
		Fast-mode	0.6		
		Fast-mode Plus	0.26		
$t_{BUF}$	Bus Free Time Between STOP and START	Standard-mode	4.7	$\mu$ s	
		Fast-mode	1.3		
		Fast-mode Plus	0.5		

Over I<sup>2</sup>C supply and temperature ranges unless otherwise specified.

		MIN	MAX	UNIT
<b>I<sup>2</sup>C SERIAL CONTROL BUS (图 4-4)</b>				
t <sub>r</sub>	SCL and SDA Rise Time	Standard-mode	1000	ns
		Fast-mode	300	
		Fast-mode Plus	120	
t <sub>f</sub>	SCL and SDA Fall Time	Standard-mode	300	ns
		Fast-mode	300	
		Fast-mode Plus	120	
C <sub>b</sub>	Capacitive Load for Each Bus Line <sup>(1)</sup>	Standard-mode	400	pF
		Fast-mode	400	
		Fast-mode Plus	550	
t <sub>SP</sub>	Input Filter <sup>(1)</sup>	Fast-mode	50	ns
		Fast-mode Plus	50	

(1) Specification is ensured by design and/or characterization and is not tested in production.



图 4-1. LVC MOS Transition Times

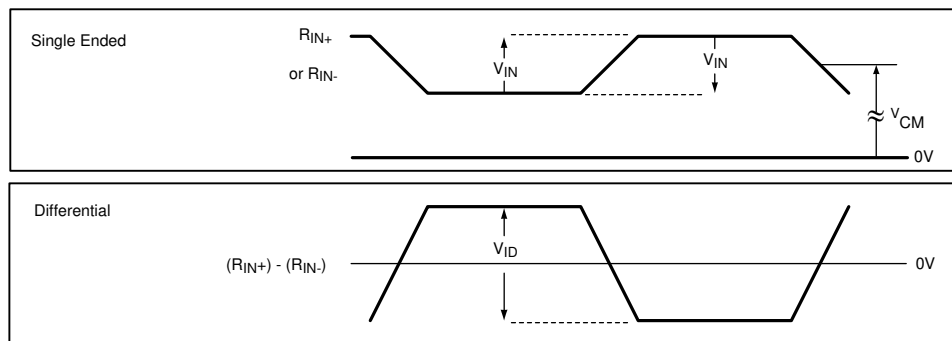


图 4-2. FPD-Link III Receiver V<sub>ID</sub>, V<sub>IN</sub>, V<sub>CM</sub>

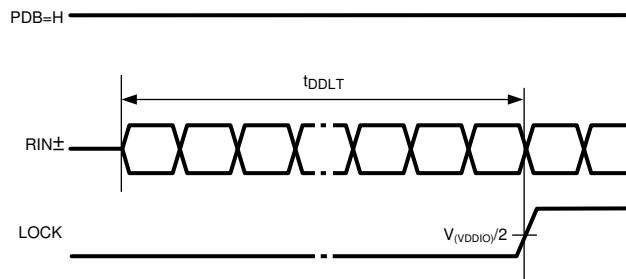
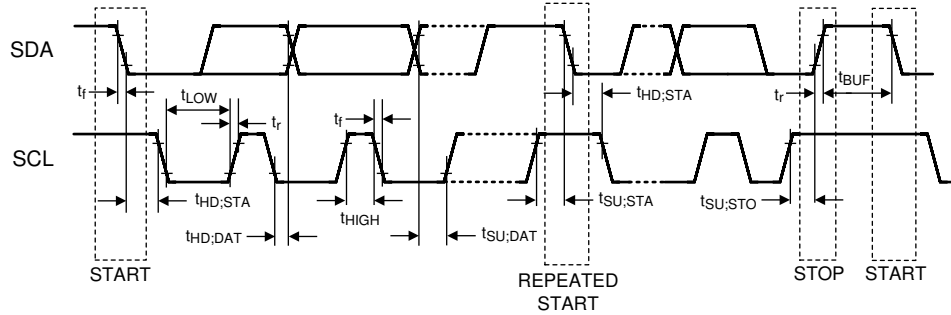
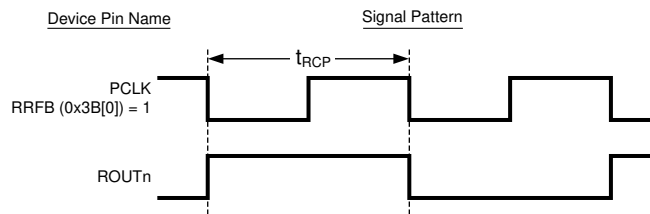


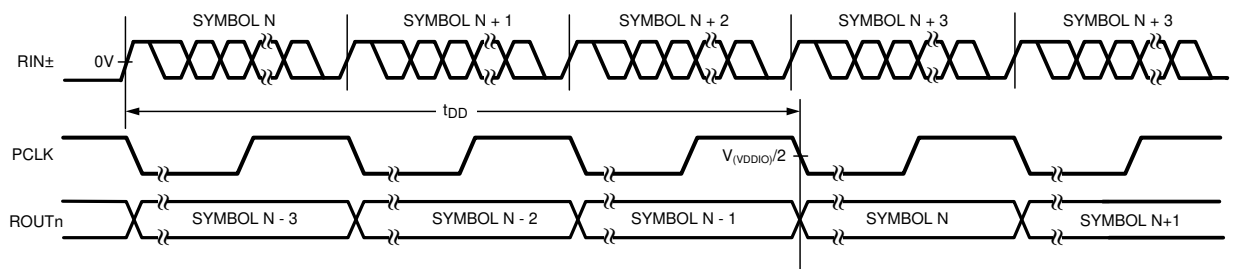
图 4-3. Deserializer Data Lock Time



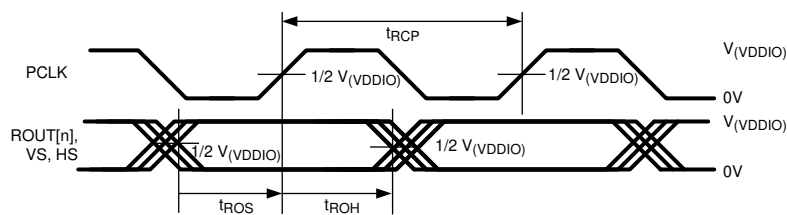
**图 4-4. I2C Serial Control Bus Timing**



**图 4-5. SSO Test Pattern for Power Consumption**



**图 4-6. Deserialer Delay**



**图 4-7. Deserialer Output Setup/Hold Times**

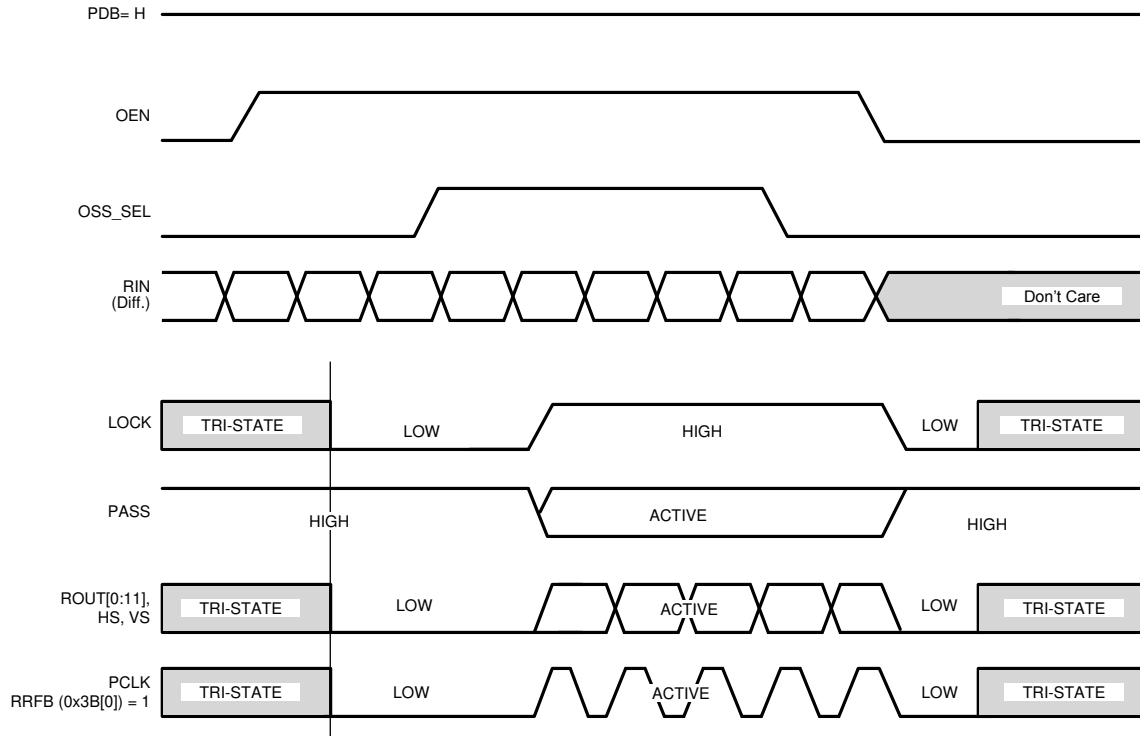


图 4-8. Output State (Setup and Hold) Times

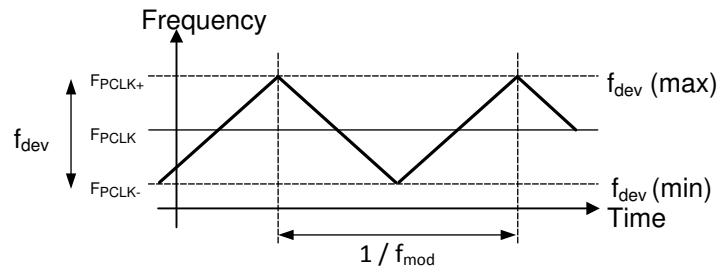


图 4-9. Spread Spectrum Clock Output Profile

### 4.8 Typical Characteristics

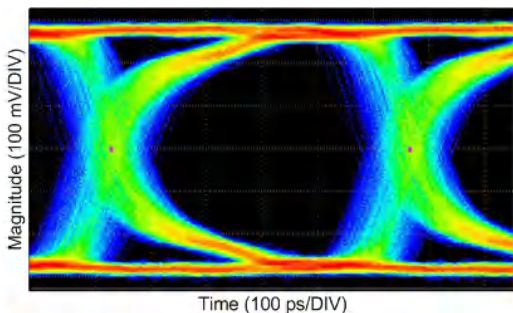


图 4-10. CMLOUTP/N Loop-through Eye Diagram at 1.867 Gbps

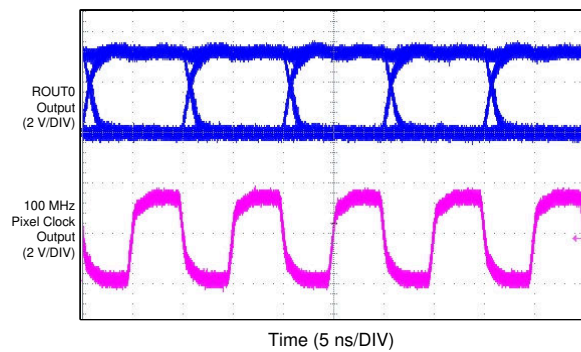


图 4-11. ROUT0 Data Sampled by 100-MHz PCLK RRFB (0x3B[0]) = 1



## 5 Detailed Description

### 5.1 Overview

The DS90UB934-Q1 FPD-Link III deserializer, in conjunction with the DS90UB913A/933-Q1 serializers, supports the video transport needs with a ultra-high-speed forward channel and an embedded bidirectional control channel. The DS90UB934-Q1 deserializer selects data streams from dual camera sources and outputs the recovered data onto a parallel LVCMOS output data bus. The DS90UB934-Q1 is designed to interface with the DS90UB933-Q1 device and is backwards compatible with the DS90UB913A-Q1 device using a 50- $\Omega$  coax interface. The DS90UB934-Q1 also works with the DS90UB933-Q1 or DS90UB913A-Q1 using an STP interface. The DS90UB934-Q1 can also work with the DS90UB953-Q1 or DS90UB935-Q1 in the backwards compatible mode (see the [Backwards Compatibility Modes for Operation with Parallel Output Deserializers](#) (SNLA270)). The DS90UB933/934 FPD-link III chipsets are intended to link mega-pixel camera imagers and video processors in ECUs. The serializer/deserializer chipset can operate from 25-MHz to 100-MHz pixel clock frequency.

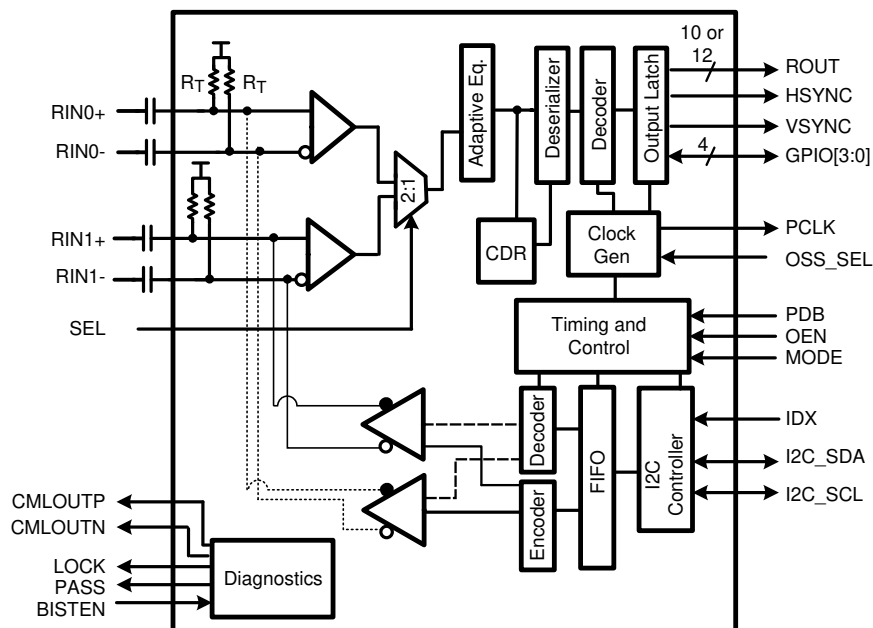
#### 5.1.1 Functional Description

The DS90UB934-Q1 converts the FPD-Link III stream into a parallel CMOS output interface designed to support automotive image sensors up to 12 bits at 100 MHz with resolutions including 1MP/60fps and 2MP/30fps. The DS90UB934-Q1 device recovers a high-speed FPD-Link III forward channel signal and outputs a 10- or 12-bit wide parallel LVCMOS data bus along with generating a bidirectional control channel control signal in the reverse channel direction. The high-speed, serial-bit stream contains an embedded clock and DC-balanced information which enhances signal quality to support AC coupling. The DS90UB934 deserializer can accept up to:

- 12 bits of DATA + 2 SYNC bits for an input PCLK range of 37.5 MHz to 100 MHz in the 12-bit high frequency mode. Note: No HS/VS restrictions (raw).
- 10 bits of DATA + 2 SYNC bits for an input PCLK range of 50 MHz to 100 MHz in the 10-bit mode. Note: HS/VS restricted to no more than one transition per 10 PCLK cycles.
- 12 bits of DATA + 2 bits SYNC for an input PCLK range of 25 MHz to 50 MHz in the 12-bit low frequency mode. Note: No HS/VS restrictions (raw).

The DS90UB934-Q1 device has a 2:1 multiplexer, which allows customers to select between two serializer inputs. The control channel function of the DS90UB933/DS90UB934-Q1 chipset provides bidirectional communication between the image sensor and ECUs. The integrated bidirectional control channel transfers data bidirectionally over the same channel used for video data interface. This interface offers advantages over other chipsets by eliminating the need for additional wires for programming and control. The bidirectional control channel bus is controlled via an I2C port. The bidirectional control channel offers asymmetrical communication and is not dependent on video blanking intervals. The DS90UB933/934 chipset offer customers the choice to work with different clocking schemes. The DS90UB933/934 chipsets can use an external oscillator as the reference clock source for the PLL or PCLK from the imager as primary reference clock to the PLL (see the [DS90UB933-Q1 data sheet](#)).

## 5.2 Functional Block Diagram



### 5.3 Feature Description

The DS90UB934-Q1 device has a 2:1 multiplexer that allows customers to select between two serializer inputs for camera applications. Frequency range operates up to 100 MHz in 12-bit mode or in 10-bit mode to support 1MP/60fps and 2MP/30fps imagers. The device accepts FPD-Link III inputs compatible to DS90UB933/913A/935/953 serializers. The received camera data stream from the selected input port is output onto the parallel interface.

#### 5.3.1 Serial Frame Format

The high-speed forward channel is composed of 28 bits of data containing video data, sync signals, I2C, and parity bits. This data payload is optimized for signal transmission over an AC-coupled link. Data is randomized, DC-balanced, and scrambled. The 28-bit frame structure changes in the 12-bit, low-frequency mode, 12-bit, high-frequency mode and the 10-bit mode internally and is seamless to the customer. The bidirectional control channel data is transferred over the single serial link along with the high-speed forward data. This architecture provides a full duplex low-speed forward and backward path across the serial link together with a high-speed forward channel without the dependence on the video blanking phase.

#### 5.3.2 Line Rate Calculations for the DS90UB933/934

The DS90UB933-Q1 device divides the clock internally by divide-by-1 in the 12-bit low-frequency mode, by divide-by-2 in the 10-bit mode, and by divide-by-1.5 in the 12-bit high-frequency mode. Conversely, the DS90UB934-Q1 multiplies the recovered serial clock to generate the proper pixel clock output frequency. Thus the maximum line rate in the three different modes remains 1.867 Gbps. The following are the formulae used to calculate the maximum line rate in the different modes:

- For the 12-bit mode: Line rate =  $f_{PCLK} \times (2/3) \times 28$ ; for example,  $f_{PCLK} = 100 \text{ MHz}$ , line rate =  $(100 \text{ MHz}) \times (2/3) \times 28 = 1.87 \text{ Gbps}$
- For the 10-bit mode: Line rate =  $f_{PCLK} / 2 \times 28$ ; for example,  $f_{PCLK} = 100 \text{ MHz}$ , line rate =  $(100 \text{ MHz}/2) \times 28 = 1.4 \text{ Gbps}$

#### 5.3.3 Deserializer Multiplexer Input

The DS90UB934-Q1 offers a 2:1 multiplexer that can be used to select which camera is used as the input. [Figure 5-1](#) shows the operation of the 2:1 multiplexer in the deserializer. The selection of the camera can be pin controlled as well as register controlled. Only one deserializer input can be selected at a time. If the serializer A is selected as the active serializer, the back-channel for deserializer A turns ON and vice versa. To switch

between the two cameras, first the serializer B must be selected using the SEL pin/register on the deserializer. After that the back channel driver for deserializer B has to be enabled using the register in the deserializer.

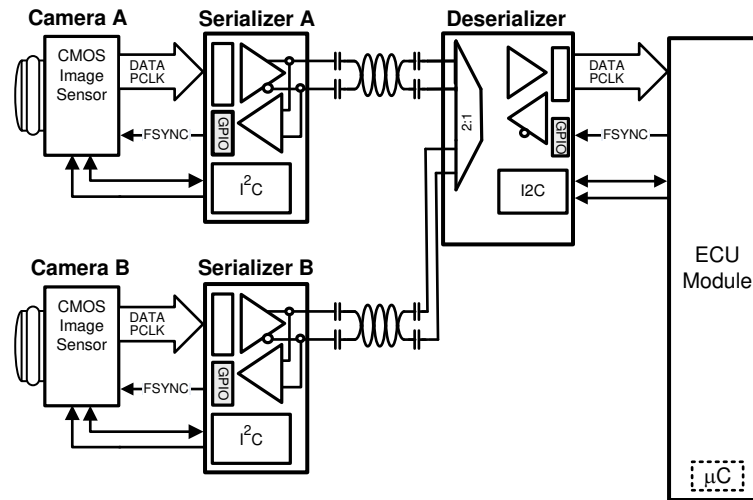


图 5-1. Using the Multiplexer on the Deserializer to Enable a Two-Camera System

## 5.4 Device Functional Modes

DS90UB934-Q1 supports the use cases shown in 表 5-1:

表 5-1. PCLK Frequency Modes

DS90UB934-Q1 DEVICE MODE	PCLK FREQUENCY RANGE		
	DS90UB913A-Q1 PARTNER	DS90UB933-Q1 PARTNER	DS90UB953-Q1/DS90UB935-Q1 PARTNER
RAW12 High-Frequency (HF)	37.5 MHz - 75 MHz	37.5 MHz - 100 MHz	37.5 MHz - 100 MHz
RAW12 Low-Frequency (LF)	25 MHz - 50 MHz	N/A	N/A
RAW10	50 MHz - 100 MHz	50 MHz - 100 MHz	50 MHz - 100 MHz

The modes control the FPD-Link III receiver operation of the device. In each of the cases, the output format for the device is parallel.

The input mode of operation is controlled by the MODE strap pin. The input mode may also be overridden and configured by FPD3\_MODE (Register 0x6D[1:0]) setting in the Port Configuration register.

### 5.4.1 RX MODE Pin

Configuration of the device may be done via the MODE input strap pin, or via the configuration register bits. A pullup resistor and a pulldown resistor of suggested values may be used to set the voltage ratio of the MODE input ( $V_{TARGET}$ ) and  $V_{(VDD18)}$  (pin 17) to select one of the 6 possible selected modes. Possible configurations are:

- FPD-Link III coax or STP
- 12-bit HF / 12-bit LF / 10-bit DVP modes

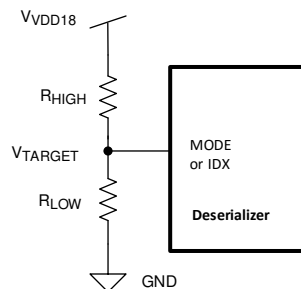


图 5-2. Strap Pin Connection Diagram

表 5-2. Strap Configuration Mode Select

MODE NO.	V <sub>TARGET</sub> VOLTAGE RANGE			V <sub>TARGET</sub> STRAP VOLTAGE (V); V <sub>(VDD18)</sub> = 1.8 V	SUGGESTED STRAP RESISTORS (1% TOL)		COAX/STP	RX MODE
	V <sub>MIN</sub>	V <sub>TYP</sub>	V <sub>MAX</sub>		R <sub>HIGH</sub> (kΩ)	R <sub>LOW</sub> (kΩ)		
0	RESERVED							
1	0.179 × V <sub>(VDD18)</sub>	0.213 × V <sub>(VDD18)</sub>	0.247 × V <sub>(VDD18)</sub>	0.374	88.7	23.2	STP	RAW12 LF
2	0.296 × V <sub>(VDD18)</sub>	0.330 × V <sub>(VDD18)</sub>	0.362 × V <sub>(VDD18)</sub>	0.582	75	35.7	STP	RAW12 HF
3	0.412 × V <sub>(VDD18)</sub>	0.443 × V <sub>(VDD18)</sub>	0.474 × V <sub>(VDD18)</sub>	0.792	71.5	56.2	STP	RAW10
4	RESERVED							
5	0.642 × V <sub>(VDD18)</sub>	0.673 × V <sub>(VDD18)</sub>	0.704 × V <sub>(VDD18)</sub>	1.202	39.2	78.7	COAX	RAW12 LF
6	0.761 × V <sub>(VDD18)</sub>	0.792 × V <sub>(VDD18)</sub>	0.823 × V <sub>(VDD18)</sub>	1.42	25.5	95.3	COAX	RAW12 HF
7	0.876 × V <sub>(VDD18)</sub>	V <sub>(VDD18)</sub>	V <sub>(VDD18)</sub>	1.8	10	OPEN	COAX	RAW10

The strapped values can be viewed and/or modified in the following locations:

- Coax - Port configuration COAX\_MODE (Register 0x6D[2])
- RX mode - Port configuration FPD3\_MODE (Register 0x6D[1:0])

#### 5.4.2 DVP Output Control

The LVCMOS outputs are controlled via the OEN and OSS\_SEL pins or via register override of these values. Register override is controlled by bits in the General Configuration register (0x02).

表 5-3. Output States

INPUTS				OUTPUTS			
SERIAL INPUTS	PDB	OEN	OSS_SEL	LOCK	PASS	DATA	PCLK
X	0	X	X	Z	Z	Z	Z
X	1	0	0	L	L	L	L
X	1	0	1	Z	Z	Z	Z
static	1	1	0	L	L	L	L
static	1	1	1	L	previous state	L	L
active	1	1	0	H	L	L	L
active	1	1	1	H	valid	valid	valid

##### 5.4.2.1 LOCK Status

In 12-bit HF mode, the LOCK pin is only high if there is a link with a serializer that has an active PCLK input. LOCK is low if there is a serializer connected and there is a link established using the internal oscillator of the serializer. Therefore, when using this mode, it is preferred to use the port specific LOCK\_STS register (0x4D[0]), which is high when linked to a serializer with internal oscillator. This LOCK\_STS signal can also be output to a GPIO pin for monitoring in real time. Once LOCK\_STS is high for a specific port, remote I2C is available to that serializer.

In 12-bit LF or 10-bit modes, the LOCK pin is high when there is a link with a serializer regardless of whether there is an active PCLK input. The port specific LOCK\_STS register is also valid in either of these modes.

### 5.4.3 Input Jitter Tolerance

Input jitter tolerance is the ability of the CDR PLL of the receiver to track and recover the incoming serial data stream. Jitter tolerance at a specific frequency is the maximum jitter permissible before data errors occur. 图 5-3 and 表 5-4 show the allowable total jitter of the receiver inputs and must be less than the values in 表 5-4.

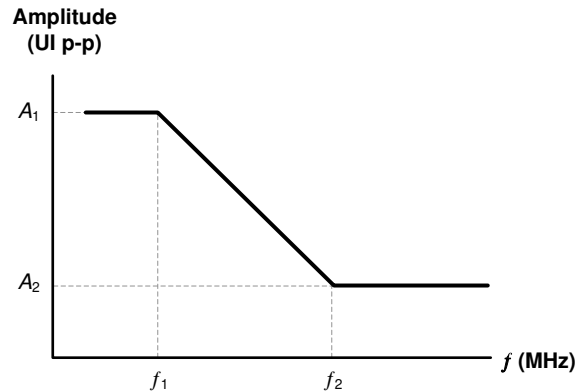


图 5-3. Input Jitter Tolerance Plot

表 5-4. Input Jitter Tolerance Limit

INTERFACE	JITTER AMPLITUDE (UI p-p)		FREQUENCY (MHz) <sup>(1)</sup>	
	A1	A2	f1	f2
FPD3	1	0.4	FPD3_PCLK / 80	FPD3_PCLK / 15

- (1) FPD3\_PCLK is equivalent to PCLK frequency based on the operating MODE:  
 10-bit mode: PCLK\_Freq. /2  
 12-bit HF mode: PCLK\_Freq. x 2/3  
 12-bit LF mode: PCLK\_Freq.

### 5.4.4 Adaptive Equalizer

The receiver inputs provide an adaptive equalization filter in order to compensate for signal degradation from the interconnect components. In order to determine the maximum cable reach, factors that affect signal integrity such as jitter, skew, ISI, crosstalk, etc. must be taken into consideration. The receiver incorporates an adaptive equalizer (AEQ), which continuously monitors cable characteristics for long-term cable aging and temperature changes. The AEQ attempts to optimize the equalization setting of the RX receiver.

If the deserializer loses LOCK, the adaptive equalizer resets and performs the LOCK algorithm again to reacquire the serial data stream being sent by the serializer.

### 5.4.5 Channel Monitor Loop-Through Output Driver

The DS90UB934-Q1 includes an internal channel monitor loop-through output on the CMLOUTP/N pins. A buffered loop-through output driver is provided on the CMLOUTP/N for observing jitter after equalization for each of the two RX receive channels. The CMLOUT monitors the post EQ stage, thus providing the recovered input of the deserializer signal. The measured serial data width on the CMLOUT loop-through is the total jitter including the internal driver, AEQ, back channel echo, etc. Each channel also has its own CMLOUT monitor and can be used for debug purposes. This CMLOUT is useful in identifying gross signal conditioning issues. The intrinsic jitter,  $J_{CML}$ , represents the amount of jitter seen with a clean serial stream applied to the FPD-Link III input pins. When the total jitter is measured on CMLOUTP and CMLOUTN, the typical intrinsic jitter value can be subtracted to get an approximation of how much jitter is seen at the RIN[1:0]± input pins.

表 5-6 includes details on selecting the corresponding RX receiver of CMLOUTP/N configuration.

表 5-5. CML Monitor Output Driver

PARAMETER	TEST CONDITIONS	PIN	MIN	TYP	MAX	UNIT
J <sub>CML</sub> CMLOUT Differential Output Intrinsic Jitter	Clean clock fed into FPD-Link III input R <sub>L</sub> = 100 Ω (图 5-4)	CMLOUTP, CMLOUTN		0.15		UI <sup>(1)</sup>

- (1) UI - Unit interval is equivalent to one ideal serialized data bit width. The UI scales with serializer input PCLK frequency.  
 10-bit mode: 1 UI = 1 / ( PCLK\_Freq. /2 x 28 )  
 12-bit HF mode: 1 UI = 1 / ( PCLK\_Freq. x 2/3 x 28 )  
 12-bit LF mode: 1 UI = 1 / ( PCLK\_Freq. x 28 )

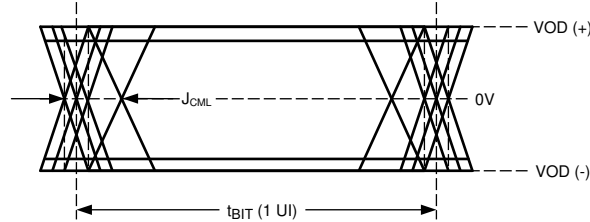


图 5-4. CMLOUT Output Driver

表 5-6. Channel Monitor Loop-Through Output Configuration

	FPD3 RX Port 0	FPD3 RX Port 1
ENABLE MAIN LOOPTHRU DRIVER	0xB0 = 0x14 0xB1 = 0x00 0xB2 = 0x80	0xB0 = 0x14 0xB1 = 0x00 0xB2 = 0x80
SELECT CHANNEL MUX	0xB1 = 0x02 0xB2 = 0x20 0xB1 = 0x03 0xB2 = 0x28 0xB1 = 0x04 0xB2 = 0x28	0xB1 = 0x02 0xB2 = 0xA0 0xB1 = 0x03 0xB2 = 0x28 0xB1 = 0x04 0xB2 = 0x28
SELECT RX PORT	0xB0 = 0x18 0xB1 = 0x0F 0xB2 = 0x01 0xB1 = 0x10 0xB2 = 0x02	0xB0 = 0x18 0xB1 = 0x0F 0xB2 = 0x01 0xB1 = 0x10 0xB2 = 0x02

5.4.5.1 Code Example for CMLOUT FPD3 RX Port 0:

```
board.WriteReg(0xB0, 0x14)
board.WriteReg(0xB1, 0x00)
board.WriteReg(0xB2, 0x80)
board.WriteReg(0xB1, 0x02)
board.WriteReg(0xB2, 0x20)
board.WriteReg(0xB1, 0x03)
board.WriteReg(0xB2, 0x28)
board.WriteReg(0xB1, 0x04)
board.WriteReg(0xB2, 0x28)
board.WriteReg(0xB0, 0x18)
board.WriteReg(0xB1, 0x0F)
board.WriteReg(0xB2, 0x01)
board.WriteReg(0xB1, 0x10)
board.WriteReg(0xB2, 0x02)
```

5.4.6 GPIO Support

The DS90UB934-Q1 supports 4 pins programmable for use in multiple options through the GPIOx\_PIN\_CTL registers.

#### 5.4.6.1 Back Channel GPIO

The DS90UB934-Q1 can input data on the GPIO pins to send on the back channel to remote serializers. Each GPIO pin can be programmed for input mode. In addition, the back channel for each FPD3 port can be programmed to send any of the 4 GPIO pins data. The same GPIO pin can be connected to multiple back channel GPIO signals.

In addition to sending GPIO from pins, an internally generated frame synchronization signal (FrameSync) signal may be sent on any of the back-channel GPIOs.

For each port, the following GPIO control is available through the BC\_GPIO\_CTL0 register 0x6E and BC\_GPIO\_CTL1 register 0x6F.

#### 5.4.6.2 GPIO Pin Status

GPIO pin status may be read through the GPIO\_PIN\_STS register 0x0E. This register provides the status of the GPIO pin independent of whether the GPIO pin is configured as an input or output.

#### 5.4.6.3 Other GPIO Pin Controls

Each GPIO pin has a input disable and a pulldown disable. By default, the GPIO pin input paths are enabled and the internal pulldown circuit in the GPIO is enabled. The GPIO\_INPUT\_CTL register 0x0F and GPIO\_PD\_CTL register 0xBE allow control of the input enable and the pulldown respectively. For most applications, there is no need to modify the default register settings.

#### 5.4.6.4 FrameSync Operation

A FrameSync signal can be sent via the back channel using any of the back channel GPIOs. The signal can be generated in two different methods. The first option offers sending the external FrameSync using one of the available GPIO pins on the DS90UB934-Q1 and mapping that GPIO to a back channel GPIO on one of the FPD-Link III ports.

The second option is to have the DS90UB934-Q1 internally generate a FrameSync signal to send via GPIO to one of the attached serializers.

##### 5.4.6.4.1 External FrameSync Control

In external FrameSync mode, an external signal is input to the DS90UB934-Q1 via one of the GPIO pins on the device. The external FrameSync signal may be propagated to either of the attached FPD3 serializers via a GPIO signal in the back channel.

Enabling the external FrameSync mode is done by setting the FS\_MODE control in the FS\_CTL (0x18) register to a value between 0x8 (GPIO0 pin) to 0xB (GPIO3 pin). Set FS\_GEN\_ENABLE to 0 for this mode.

To send the FrameSync signal on the BC\_GPIOx signal of a port, the BC\_GPIO\_CTL0 or BC\_GPIO\_CTL1 register must be programmed for that port to select the FrameSync signal.

##### 5.4.6.4.2 Internally Generated FrameSync

In internal FrameSync mode, an internally generated FrameSync signal is sent to one or more of the attached FPD3 serializers via a GPIO signal in the back channel.

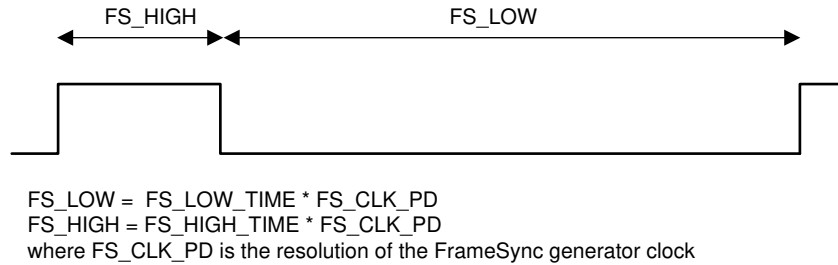
FrameSync operation is controlled by the FS\_CTL 0x18, FS\_HIGH\_TIME\_x, and FS\_LOW\_TIME\_x 0x19 – 0x1A registers. The resolution of the FrameSync generator clock (FS\_CLK\_PD) is derived from the back channel frame period (BC\_FREQ\_SELECT register). For 2.5-Mbps back-channel operation, the frame period is 12  $\mu$ s (30 bits  $\times$  400 ns/bit).

Once enabled, the FrameSync signal is sent continuously based on the programmed conditions.

Enabling the internal FrameSync mode is done by setting the FS\_GEN\_ENABLE control in the FS\_CTL (0x18) register to a value of 1. The FS\_MODE field controls the clock source used for the FrameSync generation. The FS\_GEN\_MODE field configures whether the duty cycle of the FrameSync is 50/50 or whether the high and low periods are controlled separately. The FrameSync high and low periods are controlled by the FS\_HIGH\_TIME and FS\_LOW\_TIME registers.



The accuracy of the internally generated FrameSync is directly dependent on the accuracy of the internal oscillator used to generate the back-channel reference clock. The internal oscillator has  $\pm 5\%$  variation over process, voltage, and temperature.



**图 5-5. Internal FrameSync Signal**

The following example shows generation of a FrameSync signal at 60 pulses per second. Mode settings:

- Programmable high/low periods: FS\_GEN\_MODE 0x18[1]=0
- Use port 0 back channel frame period: FS\_MODE 0x18[7:4]=0x0
- Back channel rate of 2.5 Mbps: BC\_FREQ\_SELECT for port 0 0x58[2:0]=0x0
- Initial FS state of 0: FS\_INIT\_STATE 0x18[2]=0

Based on mode settings, the FrameSync is generated based upon FS\_CLK\_PD of 12  $\mu$ s.

The total period of the FrameSync is (1 sec / 60 Hz) / 12  $\mu$ s or approximately 1,389 counts.

For a 10% duty cycle, set the high time to 139 (0x008A) cycles, and the low time to 1,250 (0x04E1) cycles:

- FS\_HIGH\_TIME\_1: 0x19 = 0x00
- FS\_HIGH\_TIME\_0: 0x1A = 0x8A
- FS\_LOW\_TIME\_1: 0x1B = 0x04
- FS\_LOW\_TIME\_0: 0x1C = 0xE1

#### 5.4.6.4.2.1 Code Example for Internally Generated FrameSync

```
WriteI2C(0x4C,0x01) # RX0
WriteI2C(0x6E,0xAA) # BC_GPIO_CTL0: FrameSync signal to GPIO0/1
WriteI2C(0x4C,0x12) # RX1
WriteI2C(0x6E,0xAA) # BC_GPIO_CTL0: FrameSync signal to GPIO0/1
WriteI2C(0x10,0x91) # FrameSync signal; Device Status; Enabled
WriteI2C(0x58,0x58) # BC_FREQ_SELECT: 2.5 Mbps
WriteI2C(0x19,0x00) # FS_HIGH_TIME_1
WriteI2C(0x1A,0x8A) # FS_HIGH_TIME_0
WriteI2C(0x1B,0x04) # FS_LOW_TIME_1
WriteI2C(0x1C,0xE1) # FS_LOW_TIME_0
WriteI2C(0x18,0x01) # Enable FrameSync
```

## 5.5 Programming

### 5.5.1 Serial Control Bus

The DS90UB934-Q1 implements an I2C-compatible serial control bus. The I2C is for local device configuration and incorporates a bidirectional control channel (BCC) that allows communication with a remote serializers as well as remote I2C target devices.

The device address is set via a resistor divider ( $R_{HIGH}$  and  $R_{LOW}$  — see 图 5-6) connected to the IDX pin.

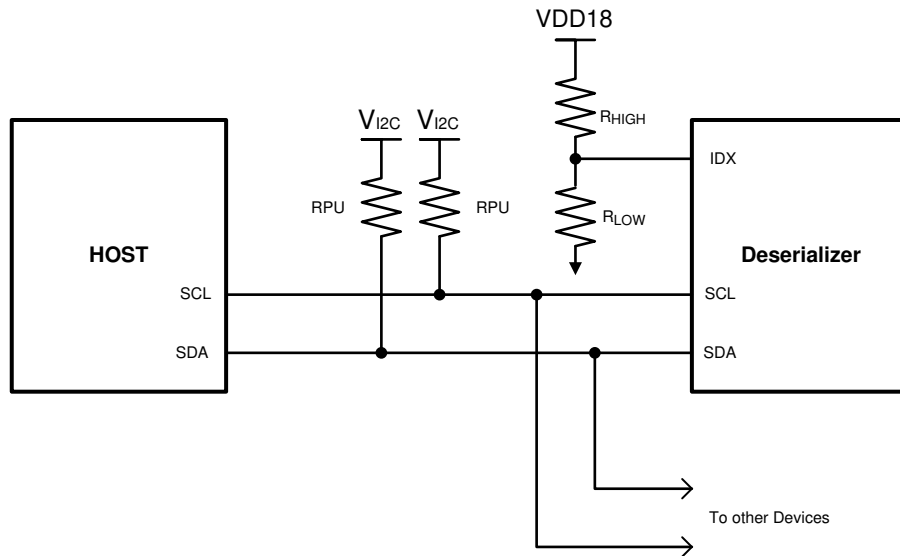


图 5-6. Serial Control Bus Connection

The serial control bus consists of two signals, SCL and SDA. SCL is a serial bus clock input. SDA is the serial bus data input/output signal. Both SCL and SDA signals require an external pullup resistor to 1.8-V or 3.3-V  $V_{(I2C)}$ . The pullup resistor value may be adjusted for capacitive loading and data rate requirements. The signals are either pulled high or driven low.

The IDX pin configures the control interface to one of 8 possible device addresses. A pullup resistor and a pulldown resistor may be used to set the appropriate voltage ratio between the IDX input pin ( $V_{(IDX)}$ ) and  $V_{(I2C)}$ , each ratio corresponding to a specific device address (see 表 5-7).

表 5-7. Serial Control Bus Addresses for IDX

NO.	$V_{IDX}$ VOLTAGE RANGE			$V_{IDX}$ TARGET VOLTAGE	SUGGESTED STRAP RESISTORS (1% TOL)		ASSIGNED I2C ADDRESS	
	$V_{MIN}$	$V_{TYP}$	$V_{MAX}$	(V); $V_{(VDD18)} = 1.8\text{ V}$	$R_{HIGH}$ (k $\Omega$ )	$R_{LOW}$ (k $\Omega$ )	7-BIT	8-BIT
0	0	0	$0.131 \times V_{(VDD18)}$	0	OPEN	10.0	0x30	0x60
1	$0.179 \times V_{(VDD18)}$	$0.213 \times V_{(VDD18)}$	$0.247 \times V_{(VDD18)}$	0.374	88.7	23.2	0x32	0x64
2	$0.296 \times V_{(VDD18)}$	$0.330 \times V_{(VDD18)}$	$0.362 \times V_{(VDD18)}$	0.582	75.0	35.7	0x34	0x68
3	$0.412 \times V_{(VDD18)}$	$0.443 \times V_{(VDD18)}$	$0.474 \times V_{(VDD18)}$	0.792	71.5	56.2	0x36	0x6C
4	$0.525 \times V_{(VDD18)}$	$0.559 \times V_{(VDD18)}$	$0.592 \times V_{(VDD18)}$	0.995	78.7	97.6	0x38	0x70
5	$0.642 \times V_{(VDD18)}$	$0.673 \times V_{(VDD18)}$	$0.704 \times V_{(VDD18)}$	1.202	39.2	78.7	0x3A	0x74
6	$0.761 \times V_{(VDD18)}$	$0.792 \times V_{(VDD18)}$	$0.823 \times V_{(VDD18)}$	1.420	25.5	95.3	0x3C	0x78

表 5-7. Serial Control Bus Addresses for IDX (continued)

NO.	V <sub>IDX</sub> VOLTAGE RANGE			V <sub>IDX</sub> TARGET VOLTAGE	SUGGESTED STRAP RESISTORS (1% TOL)		ASSIGNED I2C ADDRESS	
	V <sub>MIN</sub>	V <sub>TYP</sub>	V <sub>MAX</sub>	(V); V <sub>(VDD18)</sub> = 1.8 V	R <sub>HIGH</sub> (kΩ)	R <sub>LOW</sub> (kΩ)	7-BIT	8-BIT
7	0.876 × V <sub>(VDD18)</sub>	V <sub>(VDD18)</sub>	V <sub>(VDD18)</sub>	1.8	10	OPEN	0x3D	0x7A

The serial bus protocol is controlled by START, START-Repeated, and STOP phases. A START occurs when SDA transitions low while SCL is high. A STOP occurs when SDA transitions high while SCL is also high. See 图 5-7.

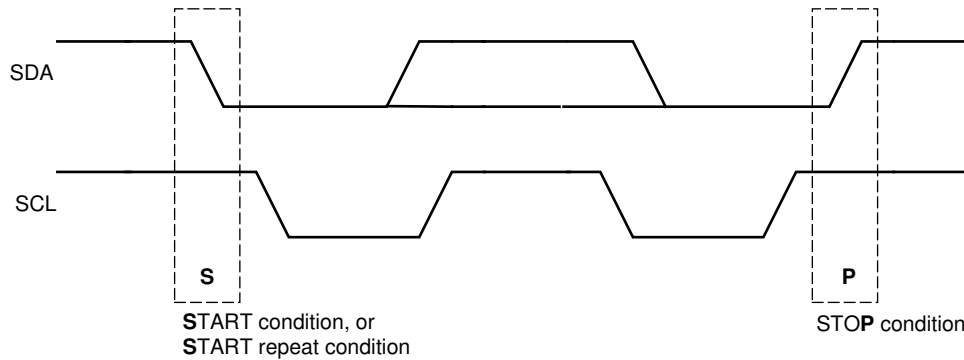


图 5-7. START and STOP Conditions

To communicate with a remote device, the host controller (controller) sends the target address and listens for a response from the target. This response is referred to as an acknowledge bit (ACK). If a target on the bus is addressed correctly, it acknowledges (ACKs) the controller by driving the SDA bus low. If the address does not match the target address of a device, it not-acknowledges (NACKs) the controller by letting SDA be pulled High. ACKs also occur on the bus when data is being transmitted. When the controller is writing data, the target ACKs after every data byte is successfully received. When the controller is reading data, the controller ACKs after every data byte is received to let the target know it wants to receive another data byte. When the controller wants to stop reading, it NACKs after the last data byte and creates a stop condition on the bus. All communication on the bus begins with either a START condition or a REPEATED-START condition. All communication on the bus ends with a STOP condition. A READ is shown in 图 5-8 and a WRITE is shown in 图 5-9.

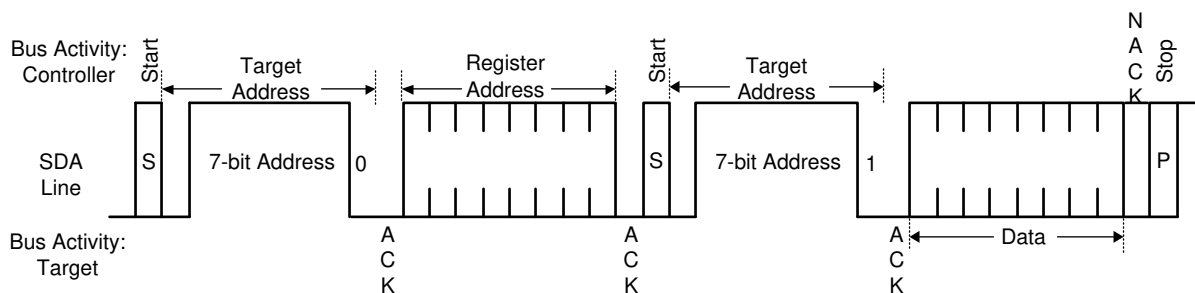


图 5-8. Serial Control Bus — READ

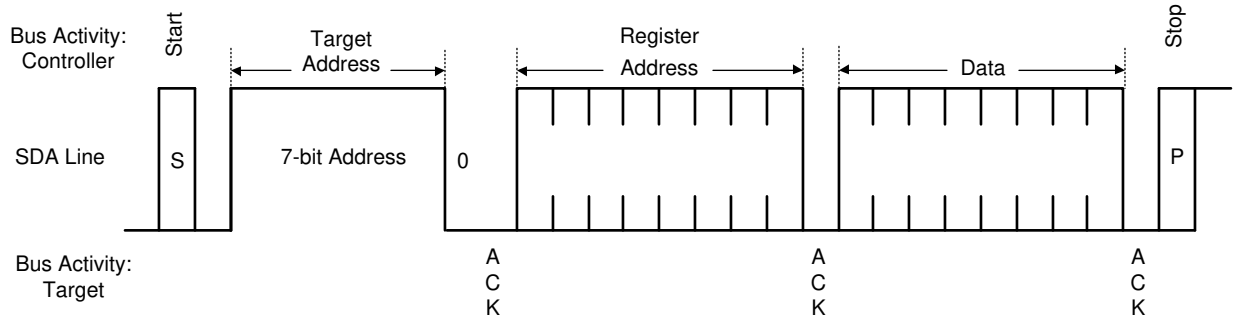


图 5-9. Serial Control Bus — WRITE

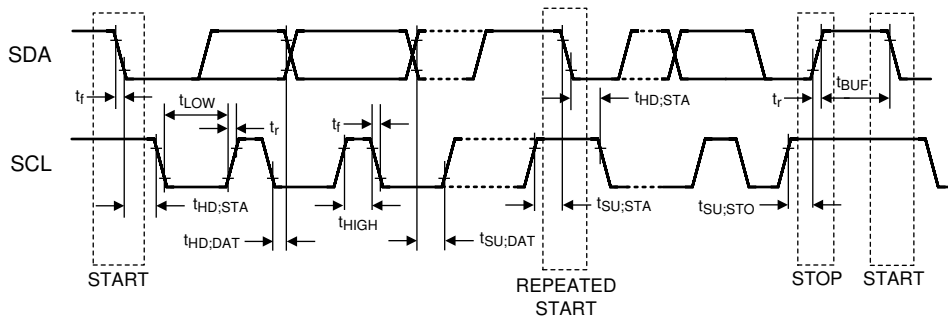


图 5-10. Basic Operation

The I2C controller located at the deserializer must support I2C clock stretching. For more information on I2C interface requirements and throughput considerations, refer to [AN-2173 I2C Communication Over FPD-Link III with Bidirectional Control Channel](#) (SNLA131).

#### 5.5.1.1 I2C Target Operation

The DS90UB934-Q1 implements an I2C-compatible target capable of operation compliant to the Standard, Fast, and Fast-plus modes of operation allowing I2C operation at up to 1-MHz clock frequencies. Local I2C transactions to access DS90UB934-Q1 registers can be conducted 2 ms after power supplies are stable and PDB is brought high. For accesses to local registers, the I2C target operates without stretching the clock. The primary I2C target address is set through the IDx pin. The primary I2C target address is stored in the I2C Device ID register at address 0x0. In addition to the primary I2C target address, the DS90UB934-Q1 may be programmed to respond to up to two other I2C addresses. The two RX Port ID addresses provide direct access to the Receive Port registers without needing to set the paging controls normally required to access the port registers.

#### 5.5.1.2 Remote Target Operation

The Bidirectional control channel provides a mechanism to read or write I2C registers in remote devices over the FPD-Link III interface. The I2C controller located at the Deserializer must support I2C clock stretching. Accesses to serializer or remote target devices over the Bidirectional Control Channel will result in clock stretching to allow for response time across the link. The DS90UB934-Q1 acts as an I2C target on the local bus, forwards read and write requests to the remote device, and returns the response from the remote device to the local I2C bus. To allow for the propagation and regeneration of the I2C transaction at the remote device, the DS90UB934-Q1 will stretch the I2C clock while waiting for the remote response. To communicate with a remote target device, the Rx Port which is intended for messaging also must be selected in register 0x4C. The I2C address of the currently selected RX Port serializer will be populated in register 0x5B of the DS90UB934-Q1. The BCC\_CONFIG register 0x58 also must have bit 6, I2C\_PASS\_THROUGH set to one. If enabled, local I2C transactions with valid address decode will then be forwarded through the Bidirectional Control Channel to the remote I2C bus. When I2C PASS THROUGH is set, the deserializer will only propagate messages that it recognizes, such as the registered serializer alias address (SER ALIAS), or any registered remote target alias attached to the serializer I2C bus (target ALIAS) assigned to the specific Rx Port0 or Port 1. Setting PASS THROUGH ALL and AUTO

ACK are less common use cases and primarily used for debugging I2C messaging as they will respectively pass all addresses regardless of valid I2C address (PASS\_THROUGH\_ALL) and acknowledge all I2C commands without waiting for a response from serializer (AUTO\_ACK).

### 5.5.1.3 Remote I<sup>2</sup>C Targets Data Throughput

Since the BCC buffers each I<sup>2</sup>C data byte and regenerates the I<sup>2</sup>C protocol on the remote side of the link, the overall I<sup>2</sup>C throughput will be reduced. The reduction is dependent on the operating frequencies of the local and remote interfaces. The local I<sup>2</sup>C rate is based on the host controller clock rate, while the remote rate depends on the settings for the proxy I<sup>2</sup>C controller (SCL frequency).

For purposes of understanding the effects of the BCC on data throughput from a host controller to a remote I<sup>2</sup>C controller, the approximate bit rate including latency timings across the control channel can be calculated by the following:

$$9 \text{ bits} / ((\text{Host\_bit} * 9) + (\text{Remote\_bit} * 9) + \text{FCdelay} + \text{BCCdelay})$$

Example of DS90UB934/933 chipset:

For the 100 kbit/s (100 kHz) :

Host\_bit = 10us (100 kHz)

Remote\_bit = 13us (77 kHz)

FCdelay = 1us (max)

BCCdelay = 12us (typical value for 2.5 Mbps back channel rate)

Effective rate = 9bits / (90us + 117us + 1us + 12us) = 41 kbit/s

**表 5-8. Typical Achievable Bit Rates**

Host I2C rate	Remote I2C rate	Net bit rate
100 kbit/s	77 kbit/s (default settings)	41 kbit/s
400 kbit/s	100 kbit/s	71.7 kbit/s
1 Mbit/s	100 kbit/s	80.3 kbit/s
1 Mbit/s	400 kbit/s	202.2 kbit/s
1 Mbit/s	1 Mbit/s	290.3 kbit/s

Since the I<sup>2</sup>C protocol includes overhead for sending address information as well as START and STOP bits, the actual data throughput depends on the size and type of transactions used. Use of large bursts to read and write data will result in higher data transfer rates.

### 5.5.1.4 Remote Target Addressing

Various system use cases require multiple sensor devices with the same fixed I2C target address to be remotely accessible from the same I2C bus at the deserializer. The DS90UB934-Q1 provides target ID virtual addressing to differentiate target target addresses when connecting two or more remote devices. Eight pairs of targetAlias and targetID registers are allocated for each FPD-Link III Receive port in registers 0x5C through 0x6C. The targetAlias register allows programming a virtual address which the host controller uses to access the remote device. The targetID register provides the actual target address for the device on the remote I2C bus. Since eight pairs of registers are available for each port (total of 16 pairs), multiple devices may be directly accessible remotely without need for reprogramming. Multiple targetAlias can be assigned to the same targetID as well.

### 5.5.1.5 Broadcast Write to Remote Target Devices

The DS90UB934-Q1 provides a mechanism to broadcast I2C writes to remote devices (either remote targets or serializers). For each Receive port, the targetID and targetAlias register pairs would be programmed with the same targetAlias value so they would each respond to the local I2C access. The targetID value would match the intended remote device address, either remote target or serializers. For each receive port, one of the targetAlias registers is set with an Alias value. For each port, the targetID value is set to the address of the remote device.

These values may be the same. To access the remote serializer registers rather than a remote target, the serializer ID (SER\_IDX or SER\_IDY) would be used as the targetID value.

### 5.5.1.6 Code Example for Broadcast Write

```
# "FPD3_PORT_SEL Boardcast RX0/1"
WriteI2C(0x4c,0x0f) # RX_PORT0 read; RX0/1 write
# "enable pass through"
WriteI2C(0x58,0x58) # enable pass through
WriteI2C(0x5c,0x18) # "SER_ALIAS_ID"
WriteI2C(0x5d,0x60) # "targetID[0]"
WriteI2C(0x65,0x60) # "targetAlias[0]"
WriteI2C(0x7c,0x01) # "FV_POLARITY"
WriteI2C(0x70,0x1f) # RAW10_datatype_yuv422b10_VCO
```

## 5.5.2 Interrupt Support

Interrupts can be brought out on the INTB pin as controlled by the INTERRUPT\_CTL 0x23 and INTERRUPT\_STS 0x24 registers. The main interrupt control registers provide control and status for interrupts from each of the two FPD3 receive ports. Clearing interrupt conditions requires reading the associated status register for the source. The setting of the individual interrupt status bits is not dependent on the related interrupt enable controls. The interrupt enable controls whether an interrupt is generated based on the condition, but does not prevent the interrupt status assertion.

For an interrupt to be generated based on one of the interrupt status assertions, both the individual interrupt enable and the INT\_EN control must be set in the INTERRUPT\_CTL 0x23 register. For example, to generate an interrupt if IS\_RX0 is set, both the IE\_RX0 and INT\_EN bits must be set. If IE\_RX0 is set but INT\_EN is not, the INT status is indicated in the INTERRUPT\_STS register, and the INTB pin does not indicate the interrupt condition.

See INTERRUPT\_CTL 0x23 and INTERRUPT\_STS 0x24 in [表 5-10](#) for details.

### 5.5.2.1 Code Example to Enable Interrupts

```
# RX0/1 INTERRUPT_CTL enable
# "RX0 INTERRUPT_CTL enable"
WriteI2C(0x4c,0x01) # RX0
WriteI2C(0x23,0x81) # RX0 & INTB PIN EN
# "RX1 INTERRUPT_CTL enable"
WriteI2C(0x4c,0x12) # RX1
WriteI2C(0x23,0x82) # RX1 & INTB PIN EN
```

### 5.5.2.2 FPD-Link III Receive Port Interrupts

For each FPD-Link III receive port, multiple options are available for generating interrupts. Interrupt generation is controlled via the PORT\_ICR\_HI 0xD8 and PORT\_ICR\_LO 0xD9 registers. In addition, the PORT\_ISR\_HI 0xDA and PORT\_ISR\_LO 0xDB registers provide read-only status for the interrupts. Clearing of interrupt conditions is handled by reading the RX\_PORT\_STS and RX\_PORT\_STS2 registers. The status bits in the PORT\_ISR\_HI/LO registers are copies of the associated bits in the main status registers.

To enable interrupts from one of the receive port interrupt sources:

1. Enable the interrupt source by setting the appropriate interrupt enable bit in the PORT\_ICR\_HI or PORT\_ICR\_LO register
2. Set the RX port X Interrupt control bit (IE\_RXx) in the INTERRUPT\_CTL register
3. Set the INT\_EN bit in the INTERRUPT\_CTL register to allow the interrupt to assert the INTB pin low

To clear interrupts from one of the receive port interrupt sources:

1. (optional) Read the INTERRUPT\_STS register to determine which RX port caused the interrupt
2. (optional) Read the PORT\_ISR\_HI and PORT\_ISR\_LO registers to determine source of interrupt
3. Read the appropriate RX\_PORT\_STS1, RX\_PORT\_STS2 register to clear the interrupt.

The first two steps are optional. The interrupt could be determined and cleared by just reading the status registers.

### 5.5.2.3 Code Example to Readback Interrupts

```

INTERRUPT_STS = ReadI2C(0x24) # 0x24 INTERRUPT_STS
if ((INTERRUPT_STS & 0x80) >> 7):
    print "# GLOBAL INTERRUPT DETECTED "
if ((INTERRUPT_STS & 0x02) >> 1):
    print "# IS_RX1 DETECTED "
if ((INTERRUPT_STS & 0x01) ):
    print "# IS_RX0 DETECTED "
# "#####"
# "RX0 status"
# "#####"
WriteReg(0x4C,0x01) # RX0
PORT_ISR_LO = ReadI2C(0xDB)
print "0xDB PORT_ISR_LO : ", hex(PORT_ISR_LO) # readout; cleared by RX_PORT_STS2
if ((PORT_ISR_LO & 0x04) >> 2):
    print "# IS_FPD3_PAR_ERR DETECTED "
if ((PORT_ISR_LO & 0x02) >> 1):
    print "# IS_PORT_PASS DETECTED "
if ((PORT_ISR_LO & 0x01) ):
    print "# IS_LOCK_STS DETECTED "
#####
PORT_ISR_HI = ReadI2C(0xDA)
print "0xDA PORT_ISR_HI : ", hex(PORT_ISR_HI) # readout; cleared by RX_PORT_STS2
if ((PORT_ISR_HI & 0x04) >> 2):
    print "# IS_FPD3_ENC_ERR DETECTED "
if ((PORT_ISR_HI & 0x02) >> 1):
    print "# IS_BCC_SEQ_ERR DETECTED "
if ((PORT_ISR_HI & 0x01) ):
    print "# IS_BCC_CRC_ERR DETECTED "
#####
RX_PORT_STS1 = ReadI2C(0x4D) # R/COR
elif ((RX_PORT_STS1 & 0xc0) >> 6) == 1:
    print "# RX_PORT_NUM = RX1"
elif ((RX_PORT_STS1 & 0xc0) >> 6) == 0:
    print "# RX_PORT_NUM = RX0"

if ((RX_PORT_STS1 & 0x20) >> 5):
    print "# BCC_CRC_ERR DETECTED "
if ((RX_PORT_STS1 & 0x10) >> 4):
    print "# LOCK_STS_CHG DETECTED "
if ((RX_PORT_STS1 & 0x08) >> 3):
    print "# BCC_SEQ_ERROR DETECTED "
if ((RX_PORT_STS1 & 0x04) >> 2):
    print "# PARITY_ERROR DETECTED "
if ((RX_PORT_STS1 & 0x02) >> 1):
    print "# PORT_PASS=1 "
if ((RX_PORT_STS1 & 0x01) ):
    print "# LOCK_STS=1 "
#####
RX_PORT_STS2 = ReadI2C(0x4E)
if ((RX_PORT_STS2 & 0x20) >> 5):
    print "# FPD3_ENCODE_ERROR DETECTED "
if ((RX_PORT_STS2 & 0x04) >> 2):
    print "# FREQ_STABLE DETECTED "
if ((RX_PORT_STS2 & 0x02) >> 1):
    print "# NO_FPD3_CLK DETECTED "
#####
# "#####"
# "RX1 status"
# "#####"
WriteReg(0x4C,0x12) # RX1
PORT_ISR_LO = ReadI2C(0xDB) # PORT_ISR_LO readout; cleared by RX_PORT_STS2
if ((PORT_ISR_LO & 0x04) >> 2):
    print "# IS_FPD3_PAR_ERR DETECTED "
if ((PORT_ISR_LO & 0x02) >> 1):
    print "# IS_PORT_PASS DETECTED "
if ((PORT_ISR_LO & 0x01) ):
    print "# IS_LOCK_STS DETECTED "
#####
PORT_ISR_HI = ReadI2C(0xDA) # readout; cleared by RX_PORT_STS2
if ((PORT_ISR_HI & 0x04) >> 2):
    print "# IS_FPD3_ENC_ERR DETECTED "
if ((PORT_ISR_HI & 0x02) >> 1):
    print "# IS_BCC_SEQ_ERR DETECTED "
if ((PORT_ISR_HI & 0x01) ):

```

```

    print "# IS_BCC_CRC_ERR DETECTED "
#####
RX_PORT_STS1 = ReadI2C(0x4D) # R/COR
elif ((RX_PORT_STS1 & 0xc0) >> 6) == 1:
    print "# R $\bar{X}$ _PORT_NUM = RX1"
elif ((RX_PORT_STS1 & 0xc0) >> 6) == 0:
    print "# R $\bar{X}$ _PORT_NUM = RX0"

if ((RX_PORT_STS1 & 0x20) >> 5):
    print "# BCC_CRC_ERR DETECTED "
if ((RX_PORT_STS1 & 0x10) >> 4):
    print "# LOCK_STS_CHG DETECTED "
if ((RX_PORT_STS1 & 0x08) >> 3):
    print "# BCC_SEQ_ERROR DETECTED "
if ((RX_PORT_STS1 & 0x04) >> 2):
    print "# PARITY_ERROR DETECTED "
if ((RX_PORT_STS1 & 0x02) >> 1):
    print "# PORT_PASS=1 "
if ((RX_PORT_STS1 & 0x01) ):
    print "# LOCK_STS=1 "
#####
RX_PORT_STS2 = ReadI2C(0x4E)
if ((RX_PORT_STS2 & 0x20) >> 5):
    print "# FPD3_ENCODE_ERROR DETECTED "
if ((RX_PORT_STS2 & 0x04) >> 2):
    print "# FREQ_STABLE DETECTED "
if ((RX_PORT_STS2 & 0x02) >> 1):
    print "# NO_FPD3_CLK DETECTED "

#####

```

#### 5.5.2.4 Built-In Self Test (BIST)

An optional at-speed BIST feature supports testing of the high-speed serial link and the back channel without external data connections. This is useful in the prototype stage, equipment production, in-system test, and system diagnostics.

##### 5.5.2.4.1 BIST Configuration and Status

The BIST mode is enabled by BIST configuration register 0xB3. The test may select either an external PCLK or the internal oscillator clock (OSC) frequency in the serializer. In the absence of PCLK, the user can select the internal OSC frequency at the deserializer through the BIST configuration register. When BIST is activated at the deserializer, a BIST enable signal is sent to the serializer through the back channel. The serializer outputs a continuous stream of a pseudo-random sequence and drives the link at speed. The deserializer detects the test pattern and monitors it for errors. The serializer also tracks errors indicated by the CRC fields in each back channel frame. While the lock indications are required to identify the beginning of proper data reception, for any link failures or data corruption, the best indication is the contents of the error counter in the BIST\_ERR\_COUNT register 0x57 for each RX port.

The clock frequency that is output onto the PCLK pin during BIST mode is based on an internal FPD-Link III clock, and may not match the expected PCLK coming from the serializer.



## 5.6 Register Maps

In the register definitions under the *TYPE* and *DEFAULT* heading, the following definitions apply:

- R = Read only access
- R/W = Read / Write access
- R/RC = Read only access, Read to Clear
- (R/W)/SC = Read / Write access, Self-Clearing bit
- (R/W)/S = Read / Write access, Set based on strap pin configuration at startup
- LL = Latched Low and held until read
- LH = Latched High and held until read
- S = Set based on strap pin configuration at startup

### 5.6.1 Register Description

The DS90UB934-Q1 implements the following register blocks, accessible via I2C as well as the bi-directional control channel:

- Main registers
- FPD3 RX port registers (separate register block for each of the two RX ports)
- DVP port registers

**表 5-9. Main Register Map Descriptions**

ADDRESS RANGE	DESCRIPTION	ADDRESS MAP	
0x00-0x31	Digital Shared Registers	Shared	
0x32-0x3A	Reserved	Reserved	
0x3B-0x3F	Digital DVP Registers	Shared	
0x40-0x43	Digital AEQ Registers	Shared	
0x4C-0x7F	Digital RX Port Registers (paged)	<b>FPD3 RX Port 0</b> <i>R: 0x4C[5:4]=00</i> <i>W: 0x4C[0]=1</i>	<b>FPD3 RX Port 1</b> <i>R: 0x4C[5:4]=01</i> <i>W: 0x4C[1]=1</i>
0x80-0xAF	Reserved	Reserved	
0xB0-0xB2	Indirect Access Registers	Shared	
0xB0-0xBF	Digital Share Registers	Shared	
0xC0-0xCF	Reserved	Reserved	
0xD0-0xDF	Digital RX Port Test Mode Registers	<b>FPD3 RX Port 0</b>	<b>FPD3 RX Port 1</b>
0xE0-0xEF	Reserved	Reserved	
0xF0-0xF5	FPD3 RX ID	Shared	
0xF6-0xF7	Reserved	Reserved	
0xF8-0xFB	Port I2C Addressing	Shared	
0xFC-0xFF	Reserved	Reserved	

## 5.6.2 Registers

表 5-10. Serial Control Bus Registers

Page	Addr (hex)	Register Name	Bit(s)	Field	Type	Default	Description
Share	0x00	I2C Device ID	7:1	DEVICE ID	(R/W)/S	0x3D	7-bit I2C ID of deserializer Defaults to address configured by IDX strap pin. This field always indicates the current value of the I2C ID. When bit 0 of this register is 0, this field is read-only and shows the strapped ID. When bit 1 of this register is 1, this field is read/write and can be used to assign any valid I2C ID.
			0	DES ID	R/W	0x0	0: Device ID is from IDX strap pin 1: Register I2C device ID overrides strapped value
Share	0x01	Reset	7:3	RESERVED	R/W	0x0	Reserved
			2	RESTART_AUTOLOAD	(R/W)/S C	0x0	Restart ROM auto-load Setting this bit to 1 causes a re-load of the ROM. This bit is self-clearing. Software may check for auto-load complete by checking the CFG_INIT_DONE bit in the DEVICE_STS register.
			1	DIGITAL RESET1	(R/W)/S C	0x0	Digital reset Resets the entire digital block including registers. This bit is self-clearing. 1: Reset 0: Normal operation
			0	DIGITAL RESET0	(R/W)/S C	0x0	Digital reset Resets the entire digital block except registers. This bit is self-clearing. 1: Reset 0: Normal operation
Share	0x02	General Configuration	7	INPUT_PORT_OVERRIDE	R/W	0x0	Input port override bit allows control of the input port selection via the INPUT_PORT_SEL bit in this register.
			6	INPUT_PORT_SEL	R/W	0x0	Input port select. This bit either controls the input mode (if INPUT_PORT_OVERRIDE is set) or indicates the status of the SEL pin.
			5	OUTPUT_OVERRIDE	R/W	0x0	Output Control Override bit. The OUTPUT_ENABLE and OUTPUT_SLEEP_STATE_SEL values typically come from the device input pins. If this bit is set, the register values in this register will be used instead.
			4	RESERVED	R/W	0x1	Reserved
			3	OUTPUT_ENABLE	R/W	0x1	Output enable control (in conjunction with output sleep state select) If OUTPUT_SLEEP_STATE_SEL is set to 1 and this bit is set to 0, the TX outputs will be forced into a high impedance state. If OUTPUT_OVERRIDE is 0, this register indicates the value on the OEN pin. See 表 5-3.
			2	OUTPUT_SLEEP_STATE_SEL	R/W	0x1	OSS Select controls the output state when LOCK is low (used in conjunction with Output Enable) When this bit is set to 0, the TX outputs is forced into a HS-0 state. If OUTPUT_OVERRIDE is 0, this register indicates the value on the OSS_SEL pin. See 表 5-3.

**表 5-10. Serial Control Bus Registers (continued)**

Page	Addr (hex)	Register Name	Bit(s)	Field	Type	Default	Description
			1	RX_PARITY_CHECK ER_EN	R/W	0x1	FPD3 Receiver Parity Checker Enable. When enabled, the parity check function is enabled for the FPD3 receiver. This allows detection of errors on the FPD3 receiver data bits. 0: Disable 1: Enable
			0	Reserved	R/W	0x0	Reserved
Share	0x03	Revision/Mask ID	7:4	REVISION_ID	R	0x0	Revision ID 0000: Production release
			3:0	RESERVED	R	0x0	Reserved
Share	0x04	DEVICE_STS	7	CFG_CKSUM_STS	R	0x1	Config Checksum passed This bit is set following initialization if the configuration data in the eFuse ROM had a valid checksum
			6	CFG_INIT_DONE	R	0x1	Power-up initialization complete This bit is set after Initialization is complete. Configuration from eFuse ROM has completed.
			5:4	RESERVED	R	0x0	Reserved
			3	PASS	R, LH	0x0	Device PASS status This bit indicates the PASS status for the device. The value in this register matches the indication on the PASS pin.
			2	LOCK	R, LH	0x0	Device LOCK status This bit indicates the LOCK status for the device. The value in this register matches the indication on the LOCK pin.
			1:0	RESERVED	R	0x0	Reserved
Share	0x05	PAR_ERR_THOLD_HI	7:0	PAR_ERR_THOLD_H I	R/W	0x01	FPD3 parity error threshold high byte This register provides the 8 most significant bits of the parity error threshold value. For each port, if the FPD-Link III receiver detects a number of parity errors greater than or equal to this value, the PARITY_ERROR flag is set in the RX_PORT_STS1 register.
Share	0x06	PAR_ERR_THOLD_L O	7:0	PAR_ERR_THOLD_L O	R/W	0x0	FPD3 parity error threshold low byte This register provides the 8 least significant bits of the parity error threshold value. For each port, if the FPD-Link III receiver detects a number of parity errors greater than or equal to this value, the PARITY_ERROR flag is set in the RX_PORT_STS1 register.
Share	0x07	BCC Watchdog Control	7:1	BCC WATCHDOG TIMER	R/W	0x7F	The watchdog timer allows termination of a control channel transaction if it fails to complete within a programmed amount of time. This field sets the bidirectional control channel watchdog timeout value in units of 2 milliseconds. Do not set this field to 0.
			0	BCC WATCHDOG TIMER DISABLE	R/W	0x0	Disable bidirectional control channel watchdog timer 1: Disables BCC watchdog timer operation 0: Enables BCC watchdog timer operation
Share	0x08	I2C Control 1	7	LOCAL WRITE DISABLE	R/W	0x0	Disable remote writes to local registers Setting this bit to a 1 prevents remote writes to local device registers from across the control channel. This prevents writes to the deserializer registers from an I2C controller attached to the serializer. Setting this bit does not affect remote access to I2C targets at the deserializer.

表 5-10. Serial Control Bus Registers (continued)

Page	Addr (hex)	Register Name	Bit(s)	Field	Type	Default	Description
			6:4	I2C SDA HOLD	R/W	0x1	Internal SDA hold time This field configures the amount of internal hold time provided for the SDA input relative to the SCL input. Units are 50 nanoseconds.
			3:0	I2C FILTER DEPTH	R/W	0xC	I2C glitch filter depth This field configures the maximum width of glitch pulses on the SCL and SDA inputs that will be rejected. Units are 5 nanoseconds.
Share	0x09	I2C Control 2	7:4	SDA Output Setup	R/W	0x1	Remote Ack SDA output setup When a control channel (remote) access is active, this field configures setup time from the SDA output relative to the rising edge of SCL during ACK cycles. Setting this value will increase setup time in units of 640ns. The nominal output setup time value for SDA to SCL when this field is 0 is 80 ns.
			3:2	SDA Output Delay	R/W	0x0	SDA output delay This field configures additional delay on the SDA output relative to the falling edge of SCL. Setting this value increases output delay in units of 40 ns. Nominal output delay values for SCL to SDA are: 00: 240 ns 01: 280 ns 10: 320 ns 11: 360 ns
			1	I2C BUS TIMER SPEEDUP	R/W	0x0	Speed up I2C bus watchdog timer 1: Watchdog Timer expires after approximately 50 microseconds 0: Watchdog Timer expires after approximately 1 second.
			0	I2C BUS TIMER DISABLE	R/W	0x0	Disable I2C bus watchdog timer When enabled the I2C Watchdog Timer may be used to detect when the I2C bus is free or hung up following an invalid termination of a transaction. If SDA is high and no signaling occurs for approximately 1 second, the I2C bus is assumed to be free. If SDA is low and no signaling occurs, the device will attempt to clear the bus by driving 9 clocks on SCL.
Share	0x0A	SCL High Time	7:0	SCL HIGH TIME	R/W	0x7A	I2C controller SCL high time This field configures the high pulse width of the SCL output when the Serializer is the controller on the local I2C bus. Units are 40 ns for the nominal oscillator clock frequency. The default value is set to approximately 100 kHz with the internal oscillator clock running at nominal 25 MHz. Delay includes 4 additional oscillator clock periods. Nominal High Time = 40 ns × (TX_SCL_HIGH + 4) The internal oscillator has ±10% variation which must be taken into account when setting the SCL High and Low Time registers.

**表 5-10. Serial Control Bus Registers (continued)**

Page	Addr (hex)	Register Name	Bit(s)	Field	Type	Default	Description
Share	0x0B	SCL Low Time	7:0	SCL LOW TIME	R/W	0x7A	I2C SCL low time This field configures the low pulse width of the SCL output when the serializer is the controller on the local I2C bus. This value is also used as the SDA setup time by the I2C target for providing data prior to releasing SCL during accesses over the Bidirectional control channel. Units are 40 ns for the nominal oscillator clock frequency. The default value is set to approximately 100 kHz with the internal oscillator clock running at nominal 25 MHz. Delay includes 4 additional clock periods. Nominal low time = 40 ns × (TX_SCL_LOW + 4) The internal oscillator has ±10% variation which must be taken into account when setting the SCL High and Low Time registers.
Share	0x0C	RESERVED	7:0	RESERVED	R/W	0x0	Reserved
Share	0x0D	IO_CTL	7	SEL3P3V	R/W	0x0	3.3-V I/O Select on pins INTB, I2C 0: 1.8-V I/O Supply 1: 3.3-V I/O Supply If IO_SUPPLY_MODE_OV is 0, a read of this register returns the detected VDDIO voltage level.
			6	IO_SUPPLY_MODE_OV	R/W	0x0	Override I/O Supply Mode bit If set to 0, the detected VDDIO voltage level is used for both SEL3P3V and IO_SUPPLY_MODE controls. If set to 1, the values written to the SEL3P3V and IO_SUPPLY_MODE fields is used.
			5:4	IO_SUPPLY_MODE	R/W	0x0	I/O supply mode 00: 1.8 V 11: 3.3 V If IO_SUPPLY_MODE_OV is 0, a read of this register returns the detected VDDIO voltage level.
			3:0	RESERVED	R/W	0x9	Reserved
			Share	0x0E	GPIO_PIN_STS	7:4	RESERVED
3:0	GPIO_STS	R	0x0	GPIO pin status This register reads the current values on each of the 4 GPIO pins. Bit 3 reads GPIO3 and bit 0 reads GPIO0.			
Share	0x0F	GPIO_INPUT_CTL	7:4	RESERVED	R/W	0x7	Reserved
			3	GPIO3_INPUT_EN	R/W	0x1	GPIO3 input enable 0: Disabled 1: Enabled
			2	GPIO2_INPUT_EN	R/W	0x1	GPIO2 input enable 0: Disabled 1: Enabled
			1	GPIO1_INPUT_EN	R/W	0x1	GPIO1 input enable 0: Disabled 1: Enabled
			0	GPIO0_INPUT_EN	R/W	0x1	GPIO0 input enable 0: Disabled 1: Enabled

表 5-10. Serial Control Bus Registers (continued)

Page	Addr (hex)	Register Name	Bit(s)	Field	Type	Default	Description
Share	0x10	GPIO0_PIN_CTL	7:5	GPIO0_OUT_SEL	R/W	0x0	GPIO0 output select Determines the output data for the selected source. If GPIO0_OUT_SRC is set to 0xx (one of the RX Ports), the following selections apply: 000 : Received GPIO0 001 : Received GPIO1 010 : Received GPIO2 011 : Received GPIO3 100 : RX port lock indication 101 : RX port pass indication 110- 111 : Reserved If GPIO0_OUT_SRC is set to 100 (Device Status), the following selections apply: 000 : Value in GPIO0_OUT_VAL 001 : Logical OR of Lock indication from enabled RX ports 010 : Logical AND of Lock indication from enabled RX ports 011 : Logical AND of Pass indication from enabled RX ports 100 : FrameSync signal 101 - 111 : Reserved
			4:2	GPIO0_OUT_SRC	R/W	0x0	GPIO0 Output source select Selects output source for GPIO0 data: 000 : RX Port 0 001 : RX Port 1 01x : Reserved 100 : Device status 101 - 111 : Reserved
			1	GPIO0_OUT_VAL	R/W	0x0	GPIO0 output value This register provides the output data value when the GPIO pin is enabled to output the local register controlled value.
			0	GPIO0_OUT_EN	R/W	0x0	GPIO0 Output Enable 0: Disabled 1: Enabled
Share	0x11	GPIO1_PIN_CTL	7:5	GPIO1_OUT_SEL	R/W	0x0	GPIO1 Output Select Determines the output data for the selected source. If GPIO1_OUT_SRC is set to 0xx (one of the RX Ports), the following selections apply: 000 : Received GPIO0 001 : Received GPIO1 010 : Received GPIO2 011 : Received GPIO3 100 : RX Port Lock indication 101 : RX Port Pass indication 110- 111 : Reserved If GPIO1_OUT_SRC is set to 100 (Device Status), the following selections apply: 000 : Value in GPIO1_OUT_VAL 001 : Logical OR of Lock indication from enabled RX ports 010 : Logical AND of Lock indication from enabled RX ports 011 : Logical AND of Pass indication from enabled RX ports 100 : FrameSync signal 101 - 111 : Reserved

**表 5-10. Serial Control Bus Registers (continued)**

Page	Addr (hex)	Register Name	Bit(s)	Field	Type	Default	Description
			4:2	GPIO1_OUT_SRC	R/W	0x0	GPIO1 Output Source Select Selects output source for GPIO1 data: 000 : RX port 0 001 : RX port 1 01x : Reserved 100 : Device status 101 - 111 : Reserved
			1	GPIO1_OUT_VAL	R/W	0x0	GPIO1 output value This register provides the output data value when the GPIO pin is enabled to output the local register controlled value.
			0	GPIO1_OUT_EN	R/W	0x0	GPIO1 output enable 0: Disabled 1: Enabled
Share	0x12	GPIO2_PIN_CTL	7:5	GPIO2_OUT_SEL	R/W	0x0	GPIO2 output select Determines the output data for the selected source. If GPIO2_OUT_SRC is set to 0xx (one of the RX Ports), the following selections apply: 000 : Received GPIO0 001 : Received GPIO1 010 : Received GPIO2 011 : Received GPIO3 100 : RX port lock indication 101 : RX port pass indication 110- 111 : Reserved If GPIO2_OUT_SRC is set to 100 (Device Status), the following selections apply: 000 : Value in GPIO2_OUT_VAL 001 : Logical OR of Lock indication from enabled RX ports 010 : Logical AND of Lock indication from enabled RX ports 011 : Logical AND of Pass indication from enabled RX ports 100 : FrameSync signal 101 - 111 : Reserved
			4:2	GPIO2_OUT_SRC	R/W	0x0	GPIO2 output source select Selects output source for GPIO2 data: 000 : RX port 0 001 : RX port 1 01x : Reserved 100 : Device status 101 - 111 : Reserved
			1	GPIO2_OUT_VAL	R/W	0x0	GPIO2 output value This register provides the output data value when the GPIO pin is enabled to output the local register controlled value.
			0	GPIO2_OUT_EN	R/W	0x0	GPIO2 output enable 0: Disabled 1: Enabled

表 5-10. Serial Control Bus Registers (continued)

Page	Addr (hex)	Register Name	Bit(s)	Field	Type	Default	Description
Share	0x13	GPIO3_PIN_CTL	7:5	GPIO3_OUT_SEL	R/W	0x0	GPIO3 output select Determines the output data for the selected source. If GPIO3_OUT_SRC is set to 0xx (one of the RX Ports), the following selections apply: 000 : Received GPIO0 001 : Received GPIO1 010 : Received GPIO2 011 : Received GPIO3 100 : RX port lock indication 101 : RX port pass indication 110- 111 : Reserved If GPIO2_OUT_SRC is set to 100 (Device Status), the following selections apply: 000 : Value in GPIO3_OUT_VAL 001 : Logical OR of lock indication from enabled RX ports 010 : Logical AND of lock indication from enabled RX ports 011 : Logical AND of pass indication from enabled RX ports 100 : FrameSync signal 101 - 111 : Reserved
			4:2	GPIO3_OUT_SRC	R/W	0x0	GPIO3 output source select Selects output source for GPIO3 data: 000 : RX port 0 001 : RX port 1 01x : Reserved 100 : Device Status 101 - 111 : Reserved
			1	GPIO3_OUT_VAL	R/W	0x0	GPIO3 output value This register provides the output data value when the GPIO pin is enabled to output the local register controlled value.
			0	GPIO3_OUT_EN	R/W	0x0	GPIO3 output enable 0: Disabled 1: Enabled
Share	0x14 - 0x17	RESERVED	7:0	RESERVED	R/W	0x0	Reserved
Share	0x18	FS_CTL	7:4	FS_MODE	R/W	0x0	FrameSync mode 0000: Internal generated FrameSync, use back-channel frame clock from port 0 0001: Internal generated FrameSync, use back-channel frame clock from port 1 0010 : Reserved 0011: Reserved 01xx: Internal generated FrameSync, use 25-MHz (typical) clock 1000: External FrameSync from GPIO0 1001: External FrameSync from GPIO1 1010: External FrameSync from GPIO2 1011: External FrameSync from GPIO3 1100 - 1111: Reserved
			3	FS_SINGLE	(R/W)/S C	0x0	Generate single FrameSync pulse When this bit is set, a single FrameSync pulse is generated. The system waits for the full duration of the desired pulse before generating another pulse. When using this feature, the FS_GEN_ENABLE bit remains set to 0. This bit is self-clearing and always returns to 0.



**表 5-10. Serial Control Bus Registers (continued)**

Page	Addr (hex)	Register Name	Bit(s)	Field	Type	Default	Description
			2	FS_INIT_STATE	R/W	0x0	Initial State This register controls the initial state of the FrameSync signal. 0: FrameSync initial state is 0 1: FrameSync initial state is 1
			1	FS_GEN_MODE	R/W	0x0	FrameSync Generation Mode This control selects between Hi/Lo and 50/50 modes. In High/Lo mode, the FrameSync generator uses the FS_HIGH_TIME and FS_LOW_TIME register values to separately control the high and low periods for the generated FrameSync signal. In 50/50 mode, the FrameSync generator uses the values in the FS_HIGH_TIME_0, FS_LOW_TIME_1 and FS_LOW_TIME_0 registers as a 24-bit value for both the high and low periods of the generated FrameSync signal. 0: Hi/Lo 1: 50/50
			0	FS_GEN_ENABLE	R/W	0x0	FrameSync generation enable 0: Disabled 1: Enabled
Share	0x19	FS_HIGH_TIME_1	7:0	FRAMESYNC_HIGH_TIME_1	R/W	0x0	FrameSync high time bits 15:8 The value programmed to the FS_HIGH_TIME register should be reduced by 1 from the desired delay. For example, a value of 0 in the FRAMESYNC_HIGH_TIME field results in a 1 cycle high pulse on the FrameSync signal.
Share	0x1A	FS_HIGH_TIME_0	7:0	FRAMESYNC_HIGH_TIME_0	R/W	0x0	FrameSync High Time bits 7:0 The value programmed to the FS_HIGH_TIME register should be reduced by 1 from the desired delay. For example, a value of 0 in the FRAMESYNC_HIGH_TIME field results in a 1 cycle high pulse on the FrameSync signal.
Share	0x1B	FS_LOW_TIME_1	7:0	FRAMESYNC_LOW_TIME_1	R/W	0x0	FrameSync Low Time bits 15:8 The value programmed to the FS_LOW_TIME register should be reduced by 1 from the desired delay. For example, a value of 0 in the FRAMESYNC_LOW_TIME field results in a 1 cycle low pulse on the FrameSync signal.
Share	0x1C	FS_LOW_TIME_0	7:0	FRAMESYNC_LOW_TIME_0	R/W	0x0	FrameSync Low Time bits 7:0 The value programmed to the FS_LOW_TIME register should be reduced by 1 from the desired delay. For example, a value of 0 in the FRAMESYNC_LOW_TIME field results in a 1 cycle low pulse on the FrameSync signal.
Share	0x1D - 0x22	RESERVED	7:0	RESERVED	R	0x00	Reserved
Share	0x23	INTERRUPT_CTL	7	INT_EN	R/W	0x0	Global interrupt enable Enables interrupt on the interrupt signal to the controller.
			6:2	RESERVED	R/W	0x0	Reserved
			1	IE_RX1	R/W	0x0	RX port 1 Interrupt: Enable interrupt from receiver port 1.
			0	IE_RX0	R/W	0x0	RX Port 0 Interrupt: Enable interrupt from receiver port 0.

表 5-10. Serial Control Bus Registers (continued)

Page	Addr (hex)	Register Name	Bit(s)	Field	Type	Default	Description
Share	0x24	INTERRUPT_STS	7	INT	R	0x0	Global Interrupt: Set if any enabled interrupt is indicated in the individual status bits in this register. The setting of this bit is not dependent on the INT_EN bit in the INTERRUPT_CTL register but does depend on the IE_xxx bits. For example, if IE_RX0 and IS_RX0 are both asserted, the INT bit is set to 1.
			6:2	RESERVED	R	0x0	Reserved
			1	IS_RX1	R	0x0	RX port 1 interrupt: An interrupt has occurred for receive port 1. This interrupt is cleared by reading the associated status register(s) for the event(s) that caused the interrupt. The status registers are RX_PORT_STS1 and RX_PORT_STS2.
			0	IS_RX0	R	0x0	RX Port 0 Interrupt: An interrupt has occurred for receive port 0. This interrupt is cleared by reading the associated status register(s) for the event(s) that caused the interrupt. The status registers are RX_PORT_STS1 and RX_PORT_STS2.
Share	0x25	FS_CONFIG	7	RESERVED	R/W	0x0	Reserved
			6	FS_POLARITY	R/W	0x0	Framesync Polarity Indicates active edge of FrameSync signal 0: Rising edge 1: Falling edge
			5:0	RESERVED	R/W	0x00	Reserved
Share	0x26 - 0x3A	RESERVED	7:0	RESERVED	R/W	0x00	Reserved
DVP	0x3B	DVP_CLK_CTL	7:1	RESERVED	R/W	0x00	Reserved
			4	ALLOW_PCLK	R/W	0x0	1: Allow monitoring CDR/SSCG clock on PCLK Pin without LOCK 0: Normal Mode"
			3:2	OSC_PCLK_SEL	R/W	0x0	Selects the frequency for the OSC clock out on PCLK when system is not locked and selected by OEN/OSS_SEL/OSC_PCLK_EN 00: 50M (+/- 30%) 01: 25M (+/- 30%) 10: 100M (+/- 30%) 11: 33.3M (+/- 30%)
			1	OSC_PCLK_EN	R/W	0x0	1: Output OSC clock when not LOCKED and OSS_SEL = 0 0: Only PCLK"
			0	RRFB	R/W	0x1	Pixel clock edge select (relative to the sink) 1: Parallel interface data is driven on the falling clock edge and sampled on the rising clock edge 0: Parallel interface data is driven on the rising clock edge and sampled on the falling clock edge
DVP	0x3C	DVP_FREQ_DET0	7:5	RESERVED	R/W	0x0	Reserved
			4:0	FPD3_FREQ_LO_TH R	R/W	0x14	Frequency low threshold Sets the low threshold for the CDR Clock frequency detect circuit in MHz. This value is used to determine if the clock frequency is too low for proper operation.

**表 5-10. Serial Control Bus Registers (continued)**

Page	Addr (hex)	Register Name	Bit(s)	Field	Type	Default	Description
DVP	0x3D	DVP_FREQ_DET1	7:6	FPD3_FREQ_HYST	R/W	0x1	Frequency Hysteresis in units of MHz
			5:0	FPD3_CLKIN_THR	R/W	0x2F	Frequency Threshold for dividing the CDR clock to send to the DVP PLL. Divider is set to 2 when CDR clock frequency is less than FPD3_CLKIN_THR, otherwise it is set to 3.
DVP	0x3E	DVP_SSCG_CTL	7:6	RESERVED	R	0x0	Reserved
			5	RESERVED	R/W	0x0	Reserved
			4	SSCG_ENABLE	R/W	0x0	Enable SSCG modulation 0 : SSCG modulation is disabled 1 : SSCG modulation is enabled Prior to enabling SSCG, the SSCG_MOD_RATE must be set. This requires a separate write to set the SSCG_MOD_RATE with SSCG disabled, then a write to set the SSCG_ENABLE with the same SSCG_MOD_RATE setting. In addition, when changing the SSCG_MOD_RATE, disable the SSCG first.
			3:1	RESERVED	R/W	0x0	Reserved
			0	SSCG_MOD_RATE	R/W	0x0	SSCG modulation frequency with its deviation 0: Reserved 1: frequency modulation PCLK/3168 ±1%
DVP	0x3F	DVP_FIFO_THOLD	7:0	DVP_FIFO_THRESH OLD	R/W	0x40	Starting threshold value for the DVP FIFO. This value sets the threshold for starting to pull data from the DVP FIFO. Once the amount of data in the FIFO reaches this threshold, data will begin transmission on the DVP interface. The threshold is in units of FPD-Link III clock cycles. The FIFO has a depth of 256, so setting to 0x40 will set the threshold at 1/4 of the FIFO.
Share	0x40	SFILTER_CTL	7	SFIL_ALWAYS_ON	R/W	0x0	Enable SFILTER Always Setting this bit allows SFILTER adaption at all times, including prior to lock. This bit overrides the SFIL_ADAPT_MODE setting. 1 : SFILTER adaption is always enabled 0 : SFILTER adaption only after locked (based on SFIL_ADAPT_MODE setting)
			6	SFIL_MEAS_ONLY	R/W	0x0	Enable SFILTER Measurement only Setting this bit allows SFILTER circuit to take measurements, but not update the SFILTER delay settings. 1 : Measurements only 0 : Allow adaption of SFILTER settings
			5:4	SFIL_THRESH_CTL	R/W	0x0	SFILTER Threshold Control Sets the threshold for incrementing or decrementing the SFILTER. 00 : Use programmed threshold in SFIL_THRESHOLD register (default is 0) 01 : 60% ratio of early vs late 10 : 1/2 of previous opposite change (hysteresis) 11 : equal previous opposite change (hystersis)
			3:2	SFIL_SMPL_SIZE	R/W	0x0	SFILTER Sample Size Sets the sample size in FPD3 clocks for the SFILTER adaption routine. 00 : 256 samples 01 : 512 samples 10 : 1024 samples 11 : 2048 samples

表 5-10. Serial Control Bus Registers (continued)

Page	Addr (hex)	Register Name	Bit(s)	Field	Type	Default	Description
			1	SFIL_ADAPT_MODE	R/W	0x0	SFILTER adapt mode This bit controls when SFILTER adaption is activated. If set to 0, adaption will begin as soon as the clock recovery circuit indicates the frequency is locked. If set to 1, adaption will wait until the AEQ adaption is complete. 1 : Wait for AEQ adaption complete 0 : Adapt after clock is locked
			0	SFILTER_EN	R/W	0x0	Enable Dynamic SFILTER adaption Setting this bit enables dynamic adaption of the SFILTER clock and data delays. 1 : Enable SFILTER adaption 0 : Disable SFILTER adaption
Share	0x41	SFILTER_CFG	7:4	SFILTER_MAX	R/W	0x8	SFILTER Maximum setting This field controls the maximum SFILTER setting. Allowed values are 0-14 with 7 being the mid point. These values are used for both AEQ adaption and dynamic SFILTER control. If AEQ_SFIL_ORDER is set in the AEQ_CTL register, the SFILTER_MAX value should not be set lower than 0x7
			3:0	SFILTER_MIN	R/W	0x6	SFILTER Minimum setting This field controls the minimum SFILTER setting. Allowed values are 0-14, where 7 is the mid point. These values are used for both AEQ adaption and dynamic SFILTER control. If AEQ_SFIL_ORDER is set in the AEQ_CTL register, the SFILTER_MIN value should not be set higher than 0x6
Share	0x42	AEQ_CTL	7	RESERVED	R	0x0	Reserved
			6:4	AEQ_ERR_CTL	R/W	0x7	AEQ Error Control Setting any of these bits will enable FPD3 error checking during the Adaptive Equalization process. Errors are accumulated over 1/2 of the period of the timer set by the ADAPTIVE_EQ_RELOCK_TIME filed in the AEQ_TEST register. If the number of errors is greater than the programmed threshold (AEQ_ERR_THOLD), the AEQ will attempt to increase the EQ setting. The errors may also be checked as part of EQ setting validation if AEQ_2STEP_EN is set. The following errors are checked based on this three bit field: [2] FPD3 clk1/clk0 errors [1] DCA sequence errors [0] Parity errors
			3	AEQ_SFIL_ORDER	R/W	0x0	AEQ SFILTER Adapt order This bit controls the order of adaption for SFILTER values during Adaptive Equalization. 0 : Default order, start at largest clock delay 1 : Start at midpoint, no additional clock or data delay

**表 5-10. Serial Control Bus Registers (continued)**

Page	Addr (hex)	Register Name	Bit(s)	Field	Type	Default	Description
			2	AEQ_2STEP_EN	R/W	0x1	<p>AEQ 2-step enable</p> <p>This bit enables a two-step operation as part of the Adaptive EQ algorithm. If disabled, the state machine will wait for a programmed period of time, then check status to determine if setting is valid. If enabled, the state machine will wait for 1/2 the programmed period, then check for errors over an additional 1/2 the programmed period. If errors occur during the 2nd step, the state machine will immediately move to the next setting.</p> <p>0 : Wait for full programmed delay, then check instantaneous lock value</p> <p>1 : Wait for 1/2 programmed time, then check for errors over 1/2 programmed time. The programmed time is controlled by the ADAPTIVE_EQ_RELOCK_TIME field in the AEQ_TEST register</p>
			1	AEQ_OUTER_LOOP	R/W	0x0	<p>AEQ outer loop control</p> <p>This bit controls whether the Equalizer or SFILTER adaption is the outer loop when the AEQ adaption includes SFILTER adaption.</p> <p>0 : AEQ is inner loop, SFILTER is outer loop</p> <p>1 : AEQ is outer loop, SFILTER is inner loop</p>
			0	AEQ_SFILTER_EN	R/W	0x0	<p>Enable SFILTER Adaption with AEQ</p> <p>Setting this bit allows SFILTER adaption as part of the Adaptive Equalizer algorithm.</p>
Share	0x43	AEQ_ERR_THOLD	7:0	AEQ_ERR_THRESH OLD	R/W	0x1	<p>AEQ Error Threshold</p> <p>This register controls the error threshold to determine when to re-adapt the EQ settings. This register should not be programmed to a value of 0.</p>
Share	0x44 - 0x4B	RESERVED	7:0	RESERVED	R/W	0x00	Reserved
Share	0x4C	FPD3_PORT_SEL	7:6	PHYS_PORT_NUM	R	0x0	<p>Physical port number</p> <p>This field provides the physical port connection when reading from a remote device via the bidirectional control channel.</p> <p>When accessed via local I2C interfaces, the value returned is always 0. When accessed via bidirectional control channel, the value returned is the port number of the receive port connection.</p>
			5	RESERVED			Reserved
			4	RX_READ_PORT	R/W	0x0	<p>Select RX port for register read</p> <p>This bit selects one of the two RX port register blocks for readback. This applies to all paged FPD3 receiver port registers.</p> <p>0: Port 0 registers</p> <p>1: Port 1 registers</p> <p>When accessed via local I2C interfaces, the default setting is 0. When accessed via bidirectional control channel, the default value is the port number of the receive port connection.</p>
			3:2	RESERVED	R/W	0x0	Reserved

表 5-10. Serial Control Bus Registers (continued)

Page	Addr (hex)	Register Name	Bit(s)	Field	Type	Default	Description
			1	RX_WRITE_PORT_1	R/W	0x0	Write Enable for RX port 1 registers This bit enables writes to RX port 1 registers. Any combination of RX port registers can be written simultaneously. This applies to all paged FPD3 Receiver port registers. 0: Writes disabled 1: Writes enabled When accessed via bidirectional control channel, the default value is 1 if accessed over RX port 1.
			0	RX_WRITE_PORT_0	R/W	0x0	Write Enable for RX port 0 registers This bit enables writes to RX port 0 registers. Any combination of RX port registers can be written simultaneously. This applies to all paged FPD3 receiver port registers. 0: Writes disabled 1: Writes enabled When accessed via Bidirectional Control Channel, the default value is 1 if accessed over RX port 0.
RX	0x4D	RX_PORT_STS1	7	RESERVED	R	0x0	Reserved
			6	RX_PORT_NUM	R	0x0	RX port number This read-only field indicates the number of the currently selected RX read port.
			5	BCC_CRC_ERROR	R, LH	0x0	Bidirectional control channel CRC error detected This bit indicates a CRC error has been detected in the forward control channel. If this bit is set, an error may have occurred in the control channel operation. This bit is cleared on read.
			4	LOCK_STS_CHG	R, LH	0x0	Lock status changed This bit is set if a change in receiver lock status has been detected since the last read of this register. Current lock status is available in the LOCK_STS bit of this register This bit is cleared on read.
			3	BCC_SEQ_ERROR	R, LH	0x0	Bidirectional control channel sequence error detected This bit indicates a sequence error has been detected in the forward control channel. If this bit is set, an error may have occurred in the control channel operation. This bit is cleared on read.
			2	PARITY_ERROR	R, LH	0x0	FPD3 parity errors detected This flag is set when the number of parity errors detected is greater than the threshold programmed in the PAR_ERR_THOLD registers. 1: Number of FPD3 parity errors detected is greater than the threshold 0: Number of FPD3 parity errors is below the threshold. This bit is cleared when the RX_PAR_ERR_HI/LO registers are cleared.

**表 5-10. Serial Control Bus Registers (continued)**

Page	Addr (hex)	Register Name	Bit(s)	Field	Type	Default	Description
			1	PORT_PASS	R	0x0	Receiver PASS indication This bit indicates the current status of the Receiver PASS indication. The requirements for setting the Receiver PASS indication are controlled by the PORT_PASS_CTL register. 1: Receive input has met PASS criteria 0: Receive input does not meet PASS criteria
			0	LOCK_STS	R	0x0	FPD-Link III receiver is locked to incoming data 1: Receiver is locked to incoming data 0: Receiver is not locked
RX	0x4E	RX_PORT_STS2	7:6	RESERVED	R	0x0	Reserved
			5	FPD3_ENCODE_ER ROR	R, LH	0x0	FPD3 encoder error detected If set, this flag indicates an error in the FPD-Link III encoding has been detected by the FPD-Link III receiver. This bit is cleared on read.
			4:3	RESERVED	R	0x0	Reserved
			2	FREQ_STABLE	R	0x0	Frequency measurement stable
			1	NO_FPD3_CLK	R	0x0	No FPD-Link III input clock detected
			0	RESERVED	R	0x0	Reserved
RX	0x4F	RX_FREQ_HIGH	7:0	FREQ_CNT_HIGH	R	0x0	FPD Link-III frequency measurement high byte (MHz) The frequency counter reports the measured frequency for the FPD3 receiver. This portion of the field is the integer value in MHz. Frequency measurements scales with reference clock frequency.
RX	0x50	RX_FREQ_LOW	7:0	FREQ_CNT_LOW	R	0x0	FPD Link-III frequency measurement low byte (1/256 MHz) The Frequency counter reports the measured frequency for the FPD3 Receiver. This portion of the field is the fractional value in 1/256 MHz. Values scales with reference clock frequency.
RX	0x51	RESERVED	7:0	RESERVED	R	0x0	Reserved
RX	0x52	RESERVED	7:0	RESERVED	R	0x0	Reserved
RX	0x53	RESERVED	7:0	RESERVED	R	0x0	Reserved
RX	0x54	RESERVED	7:0	RESERVED	R	0x0	Reserved
RX	0x55	RX_PAR_ERR_HI	7:0	PAR ERROR BYTE 1	R	0x0	Number of FPD3 parity errors - 8 most significant bits. The parity error counter registers return the number of data parity errors that have been detected on the FPD3 Receiver data since the last detection of valid lock or last read of the RX_PAR_ERR_LO register. For accurate reading of the parity error count, disable the RX_PARITY_CHECKER_ENABLE bit in register 0x02 prior to reading the parity error count registers. This register is cleared upon reading the RX_PAR_ERR_LO register.

表 5-10. Serial Control Bus Registers (continued)

Page	Addr (hex)	Register Name	Bit(s)	Field	Type	Default	Description
RX	0x56	RX_PAR_ERR_LO	7:0	PAR ERROR BYTE 0	R	0x0	Number of FPD3 parity errors – 8 least significant bits. The parity error counter registers return the number of data parity errors that have been detected on the FPD3 Receiver data since the last detection of valid lock or last read of the RX_PAR_ERR_LO register. For accurate reading of the parity error count, disable the RX_PARITY_CHECKER_ENABLE bit in register 0x02 prior to reading the parity error count registers. This register will be cleared on read.
RX	0x57	BIST_ERR_COUNT	7:0	BIST ERROR COUNT	R	0x0	BIST error count Returns BIST error count
RX	0x58	BCC_CONFIG	7	I2C PASS THROUGH ALL	R/W	0x0	I2C pass-through all transactions 0: Disabled 1: Enabled
			6	I2C PASS THROUGH	R/W	0x0	I2C pass-through to serializer if decode matches 0: Pass-through disabled 1: Pass-through enabled
			5	AUTO ACK ALL	R/W	0x0	Automatically acknowledge all I2C writes independent of the forward channel lock state or status of the remote acknowledge 1: Enable 0: Disable
			4	BACK CHANNEL ENABLE FOR CAMERA MODE	R/W	0x1	Back channel enable for camera mode (display mode BC is always enabled) 1: Enable 0: Disable
			3	BC CRC GENERATOR ENABLE	R/W	0x1	Back Channel CRC Generator Enable 0: Disable 1: Enable
			2	RESERVED	R/W	0x0	Reserved
			1:0	BC FREQ SELECT	(R/W)/S	0x0	Back channel frequency select 00: 2.5 Mbps (default) 01: 1.5625 Mbps 10 - 11 : Reserved Note that changing this setting results in some errors on the back channel for a short period of time. If set over the control channel, first program the deserializer to Auto-Ack operation to avoid a control channel timeout due to lack of response from the serializer.
RX	0x59	RESERVED	7:0	RESERVED	R/W	0x0	Reserved
RX	0x5A	RESERVED	7:0	RESERVED	R/W	0x0	Reserved
RX	0x5B	SER_ID	7:1	SER ID	R/W	0x00	Remote serializer ID This field is normally loaded automatically from the remote serializer.
			0	FREEZE DEVICE ID	R/W	0x0	Freeze serializer device ID Prevent auto-loading of the serializer device ID from the forward channel. The ID is frozen at the value written.



**表 5-10. Serial Control Bus Registers (continued)**

Page	Addr (hex)	Register Name	Bit(s)	Field	Type	Default	Description
RX	0x5C	SER_ALIAS_ID	7:1	SER ALIAS ID	R/W	0x0	7-bit remote serializer alias ID Configures the decoder for detecting transactions designated for an I2C target device attached to the remote deserializer. The transaction will be remapped to the address specified in the target ID register. A value of 0 in this field disables access to the remote I2C target.
			0	SER AUTO ACK	R/W	0x0	Automatically acknowledge all I2C writes to the remote serializer independent of the forward channel lock state or status of the remote serializer acknowledge 1: Enable 0: Disable
RX	0x5D	targetID[0]	7:1	target ID0	R/W	0x0	7-bit remote target device ID 0 Configures the physical I2C address of the remote I2C target device attached to the remote serializer. If an I2C transaction is addressed to the target alias ID0, the transaction is remapped to this address before passing the transaction across the bidirectional control channel to the serializer.
			0	RESERVED	R	0x0	Reserved
RX	0x5E	targetID[1]	7:1	target ID1	R/W	0x0	7-bit remote target device ID 1 Configures the physical I2C address of the remote I2C target device attached to the remote Serializer. If an I2C transaction is addressed to the target alias ID1, the transaction is remapped to this address before passing the transaction across the bidirectional control channel to the serializer.
			0	RESERVED	R	0x0	Reserved
RX	0x5F	targetID[2]	7:1	target ID2	R/W	0x0	7-bit remote target device ID 2 Configures the physical I2C address of the remote I2C target device attached to the remote Serializer. If an I2C transaction is addressed to the target Alias ID2, the transaction is remapped to this address before passing the transaction across the bidirectional control channel to the serializer.
			0	RESERVED	R	0x0	Reserved
RX	0x60	targetID[3]	7:1	target ID3	R/W	0x0	7-bit remote target device ID 3 Configures the physical I2C address of the remote I2C target device attached to the remote serializer. If an I2C transaction is addressed to the target alias ID3, the transaction is remapped to this address before passing the transaction across the bidirectional control channel to the serializer.
			0	RESERVED	R	0x0	Reserved
RX	0x61	targetID[4]	7:1	target ID4	R/W	0x0	7-bit remote target device ID 4 Configures the physical I2C address of the remote I2C target device attached to the remote Serializer. If an I2C transaction is addressed to the target Alias ID4, the transaction is remapped to this address before passing the transaction across the bidirectional control channel to the serializer.
			0	RESERVED	R	0x0	Reserved

表 5-10. Serial Control Bus Registers (continued)

Page	Addr (hex)	Register Name	Bit(s)	Field	Type	Default	Description
RX	0x62	targetID[5]	7:1	target ID5	R/W	0x0	7-bit remote target device ID 5 Configures the physical I2C address of the remote I2C target device attached to the remote serializer. If an I2C transaction is addressed to the target alias ID5, the transaction is remapped to this address before passing the transaction across the bidirectional control channel to the serializer.
			0	RESERVED	R	0x0	Reserved
RX	0x63	targetID[6]	7:1	target ID6	R/W	0x0	7-bit remote target device ID 6 Configures the physical I2C address of the remote I2C target device attached to the remote serializer. If an I2C transaction is addressed to the target alias ID6, the transaction is remapped to this address before passing the transaction across the bidirectional control channel to the serializer.
			0	RESERVED	R	0x0	Reserved
RX	0x64	targetID[7]	7:1	target ID7	R/W	0x0	7-bit remote target device ID 7 Configures the physical I2C address of the remote I2C target device attached to the remote serializer. If an I2C transaction is addressed to the target alias ID7, the transaction is remapped to this address before passing the transaction across the bidirectional control channel to the serializer.
			0	RESERVED	R	0x0	Reserved
RX	0x65	targetAlias[0]	7:1	target ALIAS ID0	R/W	0x0	7-bit remote target device alias ID 0 Configures the decoder for detecting transactions designated for an I2C target device attached to the remote serializer. The transaction is remapped to the address specified in the target ID0 register. A value of 0 in this field disables access to the remote I2C target.
			0	target AUTO ACK 0	R/W	0x0	Automatically acknowledge all I2C writes to the remote target 0 independent of the forward channel lock state or status of the remote serializer acknowledge. 1: Enable 0: Disable
RX	0x66	targetAlias[1]	7:1	target ALIAS ID1	R/W	0x0	7-bit remote target device alias ID 1 Configures the decoder for detecting transactions designated for an I2C target device attached to the remote serializer. The transaction is remapped to the address specified in the target ID1 register. A value of 0 in this field disables access to the remote I2C target.
			0	target AUTO ACK 1	R/W	0x0	Automatically acknowledge all I2C writes to the remote target 1 independent of the forward channel lock state or status of the remote serializer acknowledge 1: Enable 0: Disable

**表 5-10. Serial Control Bus Registers (continued)**

Page	Addr (hex)	Register Name	Bit(s)	Field	Type	Default	Description
RX	0x67	targetAlias[2]	7:1	target ALIAS ID2	R/W	0x0	7-bit remote target device alias ID 2 Configures the decoder for detecting transactions designated for an I2C target device attached to the remote serializer. The transaction is remapped to the address specified in the target ID2 register. A value of 0 in this field disables access to the remote I2C target.
			0	target AUTO ACK 2	R/W	0x0	Automatically acknowledge all I2C writes to the remote target 2 independent of the forward channel lock state or status of the remote serializer acknowledge 1: Enable 0: Disable
RX	0x68	targetAlias[3]	7:1	target ALIAS ID3	R/W	0x0	7-bit remote target device alias ID 3 Configures the decoder for detecting transactions designated for an I2C target device attached to the remote serializer. The transaction is remapped to the address specified in the target ID3 register. A value of 0 in this field disables access to the remote I2C target.
			0	target AUTO ACK 3	R/W	0x0	Automatically acknowledge all I2C writes to the remote target 3 independent of the forward channel lock state or status of the remote serializer acknowledge. 1: Enable 0: Disable
RX	0x69	targetAlias[4]	7:1	target ALIAS ID4	R/W	0x0	7-bit remote target device alias ID 4 Configures the decoder for detecting transactions designated for an I2C target device attached to the remote serializer. The transaction is remapped to the address specified in the target ID4 register. A value of 0 in this field disables access to the remote I2C target.
			0	target AUTO ACK 4	R/W	0x0	Automatically acknowledge all I2C writes to the remote target 4 independent of the forward channel lock state or status of the remote serializer acknowledge. 1: Enable 0: Disable
RX	0x6A	targetAlias[5]	7:1	target ALIAS ID5	R/W	0x0	7-bit remote target device alias ID 5 Configures the decoder for detecting transactions designated for an I2C target device attached to the remote serializer. The transaction is remapped to the address specified in the target ID5 register. A value of 0 in this field disables access to the remote I2C target.
			0	target AUTO ACK 5	R/W	0x0	Automatically acknowledge all I2C writes to the remote target 5 independent of the forward channel lock state or status of the remote serializer acknowledge. 1: Enable 0: Disable

表 5-10. Serial Control Bus Registers (continued)

Page	Addr (hex)	Register Name	Bit(s)	Field	Type	Default	Description
RX	0x6B	targetAlias[6]	7:1	target ALIAS ID6	R/W	0x0	7-bit remote target device alias ID 6 Configures the decoder for detecting transactions designated for an I2C target device attached to the remote serializer. The transaction is remapped to the address specified in the target ID6 register. A value of 0 in this field disables access to the remote I2C target.
			0	target AUTO ACK 6	R/W	0x0	Automatically acknowledge all I2C writes to the remote target 6 independent of the forward channel lock state or status of the remote serializer acknowledge. 1: Enable 0: Disable
RX	0x6C	targetAlias[7]	7:1	target ALIAS ID7	R/W	0x0	7-bit remote target device alias ID 7 Configures the decoder for detecting transactions designated for an I2C target device attached to the remote serializer. The transaction is remapped to the address specified in the target ID7 register. A value of 0 in this field disables access to the remote I2C target.
			0	target AUTO ACK 7	R/W	0x0	Automatically acknowledge all I2C writes to the remote target 7 independent of the forward channel lock state or status of the remote serializer acknowledge. 1: Enable 0: Disable
RX	0x6D	PORT_CONFIG	7:3	RESERVED	R/W	0x0F	Reserved
			2	COAX_MODE	(R/W)/S	0x0	Enable coax cable mode 0: Shielded twisted pair (STP) mode 1: Coax mode This bit is loaded from the MODE pin strap at power-up.
			1:0	FPD3_MODE	(R/W)/S	0x0	FPD3 input mode 00: Reserved 01: RAW12 LF mode 10: RAW12 HF mode 11: RAW10 mode This field is loaded from the MODE pin strap at power-up.
RX	0x6E	BC_GPIO_CTL0	7:4	BC_GPIO1_SEL	R/W	0x8	Back channel GPIO1 select: Determines the data sent on GPIO1 for the port back channel. 0000 : GPIO Pin 0 0001 : GPIO Pin 1 0010 : GPIO Pin 2 0011 : GPIO Pin 3 0100 - 0111 : Reserved 1000 : Constant value of 0 1001 : Constant value of 1 1010 : FrameSync signal 1011 - 1111 : Reserved

**表 5-10. Serial Control Bus Registers (continued)**

Page	Addr (hex)	Register Name	Bit(s)	Field	Type	Default	Description
			3:0	BC_GPIO0_SEL	R/W	0x8	Back channel GPIO0 Select: Determines the data sent on GPIO0 for the port back channel. 0000 : GPIO Pin 0 0001 : GPIO Pin 1 0010 : GPIO Pin 2 0011 : GPIO Pin 3 0100 - 0111 : Reserved 1000 : Constant value of 0 1001 : Constant value of 1 1010 : FrameSync signal 1011 - 1111 : Reserved
RX	0x6F	BC_GPIO_CTL1	7:4	BC_GPIO3_SEL	R/W	0x8	Back channel GPIO3 select: Determines the data sent on GPIO3 for the port back channel. 0000 : GPIO Pin 0 0001 : GPIO Pin 1 0010 : GPIO Pin 2 0011 : GPIO Pin 3 0100 - 0111 : Reserved 1000 : Constant value of 0 1001 : Constant value of 1 1010 : FrameSync signal 1011 - 1111 : Reserved
			3:0	BC_GPIO2_SEL	R/W	0x8	Back channel GPIO2 select: Determines the data sent on GPIO2 for the port back channel. 0000 : GPIO Pin 0 0001 : GPIO Pin 1 0010 : GPIO Pin 2 0011 : GPIO Pin 3 0100 - 0111 : Reserved 1000 : Constant value of 0 1001 : Constant value of 1 1010 : FrameSync signal 1011 - 1111 : Reserved
RX	0x70 - 0x76	RESERVED	7:0	RESERVED	R/W	0x00	Reserved
RX	0x77	FREQ_DET_CTL	7:6	FREQ_HYST	R/W	0x3	Frequency detect hysteresis: The frequency detect hysteresis controls reporting of the FPD3 Clock frequency stability via the FREQ_STABLE status in the RX_PORT_STS2 register. The frequency is considered stable when the frequency remains within a range of +/- the FREQ_HYST value from the previous measurement. The FREQ_HYST setting is in MHz.
			5:4	FREQ_STABLE_THR	R/W	0x0	Frequency stability threshold: The frequency detect circuit can be used to detect a stable clock frequency. The stability threshold determines the amount of time required for the clock frequency to stay within the FREQ_HYST range to be considered stable: 00 : 40 $\mu$ s 01 : 80 $\mu$ s 10 : 320 $\mu$ s 11 : 1.28 ms

表 5-10. Serial Control Bus Registers (continued)

Page	Addr (hex)	Register Name	Bit(s)	Field	Type	Default	Description
			3:0	FREQ_LO_THR	R/W	0x5	Frequency low threshold: Sets the low threshold for the clock frequency detect circuit in MHz. If the input clock is below this threshold, the NO_FPD3_CLK status is set to 1.
RX	0x78	MAILBOX_1	7:0	MAILBOX_0	R/W	0x0	Mailbox register This register is an unused read/write register that can be used for any purpose such as passing messages between I2C controllers on opposite ends of the link.
RX	0x79	MAILBOX_2	7:0	MAILBOX_1	R/W	0x01	Mailbox register This register is an unused read/write register that can be used for any purpose such as passing messages between I2C controllers on opposite ends of the link.
RX	0x7A - 0x7F	RESERVED	7:0	RESERVED	R	0x0	Reserved
Share	0xB0	IND_ACC_CTL	7:6	RESERVED	R	0x0	Reserved
			5:2	IA_SEL	R/W	0x0	Indirect Access register select: Selects target for register access 0000 : Reserved 0001 : FPD3 RX Port 0 registers 0010 : FPD3 RX Port 1 registers 0011 : Reserved 0100 : Reserved 0101 : FPD3 RX Shared registers 0110 : Simultaneous write to FPD3 RX Port 0-1 registers 0111 : Reserved
			1	IA_AUTO_INC	R/W	0x0	Indirect access auto increment: Enables auto-increment mode. Upon completion of a read or write, the register address automatically increments by 1
			0	IA_READ	R/W	0x0	Indirect access read: Setting this allows generation of a read strobe to the selected register block upon setting of the IND_ACC_ADDR register. In auto-increment mode, read strobes is also asserted following a read of the IND_ACC_DATA register. This function is only required for blocks that need to pre-fetch register data.
Share	0xB1	IND_ACC_ADDR	7:0	IA_ADDR	R/W	0x0	Indirect access register offset: This register contains the 8-bit register offset for the indirect access.
Share	0xB2	IND_ACC_DATA	7:0	IA_DATA	R/W	0x0	Indirect access data: Writing this register causes an indirect write of the IND_ACC_DATA value to the selected analog block register. Reading this register returns the value of the selected block register
Share	0xB3	BIST Control	7:6	BIST_OUT_MODE	R/W	0x0	BIST output mode 00 : No toggling 01 : Alternating 1/0 toggling 1x : Toggle based on BIST data
			5:4	RESERVED	R/W	0x0	Reserved
			3	BIST PIN CONFIG	R/W	0x1	BIST Configured through pin 1: BIST configured through pin 0: BIST configured through bits 2:0 in this register

**表 5-10. Serial Control Bus Registers (continued)**

Page	Addr (hex)	Register Name	Bit(s)	Field	Type	Default	Description
			2:1	BIST CLOCK SOURCE	R/W	0x0	BIST Clock Source This register field selects the BIST clock source at the Serializer. These register bits are automatically written to the CLOCK SOURCE bits (register offset 0x14) in the serializer after BIST is enabled. See the appropriate serializer register descriptions for details. Note: When connected to a DS90UB913A or DS90UB933, a setting of 0x3 may result in a clock frequency that is too slow for proper recovery.
			0	BIST_EN	R/W	0x0	BIST Control 1: Enabled 0: Disabled
Share	0xB8	MODE_IDX_STS	7	IDX_DONE	R	0x1	IDX Done: If set, indicates the IDX decode has completed and latched into the IDX status bits.
			6:4	IDX	R	0x0	IDX Decode 3-bit decode from IDX pin
			3	MODE_DONE	R	0x1	MODE Done: If set, indicates the MODE decode has completed and latched into the MODE status bits.
			2:0	MODE	R	0x0	MODE Decode 3-bit decode from MODE pin
Share	0xBE	GPIO_PD_CTL	7:3	RESERVED	R/W	0x0	Reserved
			2	GPIO2_PD_DIS	R/W	0x0	GPIO2 pulldown resistor disable: The GPIO pins by default include a pulldown resistor that is automatically enabled when the GPIO is not in an output mode. When this bit is set, the pulldown resistor is also disabled when the GPIO pin is in an input only mode. 1 : Disable GPIO pulldown resistor 0 : Enable GPIO pulldown resistor
			1	GPIO1_PD_DIS	R/W	0x0	GPIO1 pulldown resistor disable: The GPIO pins by default include a pulldown resistor that is automatically enabled when the GPIO is not in an output mode. When this bit is set, the pulldown resistor is also disabled when the GPIO pin is in an input only mode. 1 : Disable GPIO pulldown resistor 0 : Enable GPIO pulldown resistor
			0	GPIO0_PD_DIS	R/W	0x0	GPIO0 pulldown resistor disable: The GPIO pins by default include a pulldown resistor that is automatically enabled when the GPIO is not in an output mode. When this bit is set, the pulldown resistor is also disabled when the GPIO pin is in an input only mode. 1 : Disable GPIO pulldown resistor 0 : Enable GPIO pulldown resistor

表 5-10. Serial Control Bus Registers (continued)

Page	Addr (hex)	Register Name	Bit(s)	Field	Type	Default	Description
RX	0xD0	PORT DEBUG	7:6	RESERVED	R/W	0x0	Reserved
			5	SER BIST ACT	R	0x0	Serializer BIST Active This register indicates whether the serializer is in BIST mode. 0: BIST mode not active 1: BIST mode active If the deserializer is not in BIST mode, this bit being 1 could indicate an error condition.
			4:2	RESERVED	R/W	0x0	Reserved
			1	FORCE BC ERRORS	R/W	0x0	This bit introduces continuous errors into the back channel frame.
			0	FORCE 1 BC ERROR	(R/W)/S C	0x0	This bit introduces typically one, worst case two, errors into the back channel frame. Self clearing bit.
RX	0xD2	RESERVED	7:0	ADAPTIVE_EQ_REL LOCK_TIME	R/W	0x4	Time to wait for lock before incrementing the EQ to next setting 000 : 164 us 001 : 328 us 010 : 655 us 011 : 1.31 ms 100 : 2.62 ms 101 : 5.24 ms 110 : 10.5ms 111 : 21.0 ms
			4	AEQ_1ST_LOCK_MODE	R/W	0x0	AEQ First Lock Mode This register bit controls the Adaptive Equalizer algorithm operation at initial Receiver Lock. 0 : Initial AEQ lock may occur at any value 1 : Initial Receiver lock will restart AEQ at 0, providing a more deterministic initial AEQ value
			3	AEQ_RESTART	(R/W)/S C	0x0	Set high to restart AEQ adaptation from initial value. This bit is self clearing. Adaption will be restarted.
			2	SET_AEQ_FLOOR	R/W	0x0	AEQ adaptation starts from a pre-set floor value rather than from zero - good in long cable situations
			1:0	RESERVED	R	0x0	Reserved
			RX	0xD3	AEQ_STATUS	7:6	RESERVED
			5:3	EQ_STATUS_1	R	0x0	Adaptive EQ Status 1
			2:0	EQ_STATUS_2	R	0x0	Adaptive EQ Status 2
RX	0xD4	ADAPTIVE EQ BYPASS	7:5	EQ_STAGE_1 SELECT VALUE	R/W	0x3	EQ select value [5:3] - Used if adaptive EQ is bypassed.
			4	AEQ_LOCK_MODE	R/W	0x0	Adaptive Equalizer lock mode When set to a 1, Receiver Lock status requires the Adaptive Equalizer to complete adaption. When set to a 0, Receiver Lock is based only on the Lock circuit itself. AEQ may not have stabilized.
			3:1	EQ_STAGE_2 SELECT VALUE	R/W	0x0	EQ select value [2:0] - Used if adaptive EQ is bypassed.
			0	ADAPTIVE EQ BYPASS	R/W	0x0	1: Disable adaptive EQ 0: Enable adaptive EQ
RX	0xD5	AEQ_MIN_MAX	7:4	AEQ_MAX	R/W	0xF	Adaptive Equalizer Maximum value This register sets the maximum value for the Adaptive EQ algorithm.



**表 5-10. Serial Control Bus Registers (continued)**

Page	Addr (hex)	Register Name	Bit(s)	Field	Type	Default	Description
			3:0	ADAPTIVE EQ FLOOR VALUE	R/W	0x8	When AEQ floor is enabled by register configuration {reg_35[5:4]} the starting setting is given by this register.
RX	0xD8	PORT_ICR_HI	7:3	Reserved	R	0x0	Reserved
			2	IE_FPD3_ENC_ERR	R/W	0x0	Interrupt on FPD-Link III receiver encoding error When enabled, an interrupt is generated on detection of an encoding error on the FPD-Link III interface for the receive port as reported in the FPD3_ENC_ERROR bit in the RX_PORT_STS2 register
			1	IE_BCC_SEQ_ERR	R/W	0x0	Interrupt on BCC SEQ sequence error When enabled, an interrupt is generated if a sequence error is detected for the bidirectional control channel forward channel receiver as reported in the BCC_SEQ_ERROR bit in the RX_PORT_STS1 register.
			0	IE_BCC_CRC_ERR	R/W	0x0	Interrupt on BCC CRC error detect When enabled, an interrupt is generated if a CRC error is detected on a bidirectional control channel frame received over the FPD-Link III forward channel as reported in the BCC_CRC_ERROR bit in the RX_PORT_STS1 register.
RX	0xD9	PORT_ICR_LO	7:3	RESERVED	R/W	0x0	Reserved
			6	IE_LINE_LEN_CHG	R/W	0x0	Interrupt on Video Line length When enabled, an interrupt will be generated if the length of the video line changes. Status is reported in the LINE_LEN_CHG bit in the RX_PORT_STS2 register.
			5	IE_LINE_CNT_CHG	R/W	0x0	Interrupt on Video Line count When enabled, an interrupt will be generated if the number of video lines per frame changes. Status is reported in the LINE_CNT_CHG bit in the RX_PORT_STS2 register.
			4	IE_BUFFER_ERR	R/W	0x0	Interrupt on Receiver Buffer Error When enabled, an interrupt will be generated if the Receive Buffer overflow is detected as reported in the BUFFER_ERROR bit in the RX_PORT_STS2 register.
			3	RESERVED	R/W	0x0	Reserved
			2	IE_FPD3_PAR_ERR	R/W	0x0	Interrupt on FPD-Link III receiver parity error When enabled, an interrupt is generated on detection of parity errors on the FPD-Link III interface for the receive port. Parity error status is reported in the PARITY_ERROR bit in the RX_PORT_STS1 register.
			1	IE_PORT_PASS	R/W	0x0	Interrupt on change in port PASS status When enabled, an interrupt is generated on a change in receiver port valid status as reported in the PORT_PASS bit in the PORT_STS1 register.
			0	IE_LOCK_STS	R/W	0x0	Interrupt on change in lock status When enabled, an interrupt is generated on a change in lock status. Status is reported in the LOCK_STS_CHG bit in the RX_PORT_STS1 register.
RX	0xDA	PORT_ISR_HI	7:3	Reserved	R	0x0	Reserved

表 5-10. Serial Control Bus Registers (continued)

Page	Addr (hex)	Register Name	Bit(s)	Field	Type	Default	Description
			2	IS_FPD3_ENC_ERR	R	0x0	FPD-Link III receiver encode error interrupt status An encoding error on the FPD-Link III interface for the receive port has been detected. Status is reported in the FPD3_ENC_ERROR bit in the RX_PORT_STS2 register. This interrupt condition is cleared by reading the RX_PORT_STS2 register.
			1	IS_BCC_SEQ_ERR	R	0x0	BCC CRC sequence error interrupt status A sequence error has been detected for the bidirectional control channel forward channel receiver. Status is reported in the BCC_SEQ_ERROR bit in the RX_PORT_STS1 register. This interrupt condition is cleared by reading the RX_PORT_STS1 register.
			0	IS_BCC_CRC_ERR	R	0x0	BCC CRC error detect interrupt status A CRC error has been detected on a bidirectional control channel frame received over the FPD-Link III forward channel. Status is reported in the BCC_CRC_ERROR bit in the RX_PORT_STS1 register. This interrupt condition is cleared by reading the RX_PORT_STS1 register.
RX	0xDB	PORT_ISR_LO	7:3	Reserved	R	0x0	Reserved
			6	IS_LINE_LEN_CHG	R	0x0	Video Line Length Interrupt Status A change in video line length has been detected. Status is reported in the LINE_LEN_CHG bit in the RX_PORT_STS2 register. This interrupt condition will be cleared by reading the RX_PORT_STS2 register.
			5	IS_LINE_CNT_CHG	R	0x0	Video Line Count Interrupt Status A change in number of video lines per frame has been detected. Status is reported in the LINE_CNT_CHG bit in the RX_PORT_STS2 register. This interrupt condition will be cleared by reading the RX_PORT_STS2 register.
			4	IS_BUFFER_ERR	R	0x0	Receiver Buffer Error Interrupt Status A Receive Buffer overflow has been detected as reported in the BUFFER_ERROR bit in the RX_PORT_STS2 register. This interrupt condition will be cleared by reading the RX_PORT_STS2 register.
			3	RESERVED	R	0x0	Reserved
			2	IS_FPD3_PAR_ERR	R	0x0	FPD-Link III receiver parity error interrupt status A parity error on the FPD-Link III interface for the receive port has been detected. Parity error status is reported in the PARITY_ERROR bit in the RX_PORT_STS1 register. This interrupt condition is cleared by reading the RX_PORT_STS1 register.
			1	IS_PORT_PASS	R	0x0	Port valid interrupt status A change in receiver port valid status as reported in the PORT_PASS bit in the PORT_STS1 register. This interrupt condition is cleared by reading the RX_PORT_STS1 register.

**表 5-10. Serial Control Bus Registers (continued)**

Page	Addr (hex)	Register Name	Bit(s)	Field	Type	Default	Description
			0	IS_LOCK_STS	R	0x0	Lock interrupt status A change in lock status has been detected. Status is reported in the LOCK_STS_CHG bit in the RX_PORT_STS1 register. This interrupt condition is cleared by reading the RX_PORT_STS1 register.
Share	0xF0	FPD3_RX_ID0	7:0	FPD3_RX_ID0	R	0x5F	FPD3_RX_ID0: First byte ID code: ‘_’
Share	0xF1	FPD3_RX_ID1	7:0	FPD3_RX_ID1	R	0x55	FPD3_RX_ID1: 2nd byte of ID code: ‘U’
Share	0xF2	FPD3_RX_ID2	7:0	FPD3_RX_ID2	R	0x42	FPD3_RX_ID2: 3rd byte of ID code: ‘B’
Share	0xF3	FPD3_RX_ID3	7:0	FPD3_RX_ID3	R	0x39	FPD3_RX_ID3: 4th byte of ID code: ‘9’
Share	0xF4	FPD3_RX_ID4	7:0	FPD3_RX_ID4	R	0x33	FPD3_RX_ID4: 5th byte of ID code: ‘3’
Share	0xF5	FPD3_RX_ID5	7:0	FPD3_RX_ID5	R	0x34	FPD3_RX_ID5: 6th byte of ID code: ‘4’
Share	0xF8	I2C_RX0_ID	7:1	RX_PORT0_ID	R/W	0x00	7-bit Receive Port 0 I2C ID Configures the decoder for detecting transactions designated for Receiver port 0 registers. This provides a simpler method of accessing device registers specifically for port 0 without having to use the paging function to select the register page. A value of 0 in this field disables the Port0 decoder.
			0	RESERVED	R	0x0	Reserved
Share	0xF9	I2C_RX1_ID	7:1	RX_PORT1_ID	R/W	0x00	7-bit Receive Port 1 I2C ID Configures the decoder for detecting transactions designated for Receiver port 1 registers. This provides a simpler method of accessing device registers specifically for port 1 without having to use the paging function to select the register page. A value of 0 in this field disables the Port1 decoder.
			0	RESERVED	R	0x0	Reserved

### 5.6.3 Indirect Access Registers

Several functional blocks include register sets contained in the Indirect Access map (节 5.6.4); that is CSI-2 timing and Analog controls. Register access is provided via an indirect access mechanism through the Indirect Access registers (IND\_ACC\_CTL, IND\_ACC\_ADDR, and IND\_ACC\_DATA). These registers are located at offsets 0xB0-0xB2 in the main register space.

The indirect address mechanism involves setting the control register to select the desired block, setting the register offset address, and reading or writing the data register. In addition, an auto-increment function is provided in the control register to automatically increment the offset address following each read or write of the data register.

For writes, the process is as follows:

1. Write to the IND\_ACC\_CTL register to select the desired register block
2. Write to the IND\_ACC\_ADDR register to set the register offset
3. Write the data value to the IND\_ACC\_DATA register

If auto-increment is set in the IND\_ACC\_CTL register, repeating step 3 will write additional data bytes to subsequent register offset locations

For reads, the process is as follows:

1. Write to the IND\_ACC\_CTL register to select the desired register block
2. Write to the IND\_ACC\_ADDR register to set the register offset
3. Read from the IND\_ACC\_DATA register

If auto-increment is set in the IND\_ACC\_CTL register, repeating step 3 will read additional data bytes from subsequent register offset locations.

### 5.6.4 Indirect Access Register Map

表 5-11. Indirect Register Map Description

IA SELECT 0xB0[5:2]	PAGE/BLOCK	INDIRECT REGISTERS	ADDRESS RANGE	DESCRIPTION
0000	0	Digital Page 0 Reserved Registers	0x01-0x1F	Pattern Gen Registers
			0x40-0x48	CSI TX port 0 Timing Registers
0001	1	FPD-Link III Channel 0 Registers	0x00-0x14	Test and Debug registers
0010	2	FPD-Link III Channel 1 Registers	0x00-0x14	Test and Debug registers
0011	3	Reserved	0x00-0x14	Reserved
0100	4	Reserved	0x00-0x14	Reserved
0101	5	FPD-Link III Shared Registers	0x00-0x04	Test and Debug registers
0110	6	Write All FPD-Link III Channel Registers	0x00-0x14	Test and Debug registers
0111	7	CSI TX Reserved Registers	0x00-0x1D	Test and Debug registers

#### 5.6.4.1 FPD3 Channel 0 Registers

表 5-12. FPD3 Channel 0 Registers

Page	Addr (hex)	Register Name	Bit(s)	Field	Type	Default	Description
1	0x00	RESERVED	7:0	RESERVED	R/W	0x0	Reserved
1	0x01	RESERVED	7:0	RESERVED	R/W	0xE0	Reserved
1	0x02	RESERVED	7:0	RESERVED	R/W	0x0	Reserved
1	0x03	RESERVED	7:0	RESERVED	R/W	0x20	Reserved
1	0x04	RESERVED	7:0	RESERVED	R/W	0x3F	Reserved
1	0x05	RESERVED	7:0	RESERVED	R/W	0x0	Reserved
1	0x06	RESERVED	7:0	RESERVED	R/W	0x74	Reserved
1	0x07	RESERVED	7:0	RESERVED	R/W	0x0A	Reserved
1	0x08-0x0E	RESERVED	7:0	RESERVED	R/W	0x0	Reserved
1	0x0F	ATP_CTL1	7:1	RESERVED	R/W	0x0	Reserved
			0	EN_LOOP_DRV	R/W	0x0	Enable FPD3 data to loop through driver 0: disabled (default) 1: enabled
1	0x10	ATP_CTL2	7:2	RESERVED	R/W	0x0	Reserved
			1	EN_DATA_OUT	R/W	0x0	Enable CMLOUT data output 0: disabled (default) 1: enabled
			0	RESERVED	R/W	0x0	Reserved
1	0x11-0x12	RESERVED	7:0	RESERVED	R/W	0x0	Reserved
1	0x13	RESERVED	7:0	RESERVED	R/W	0x20	Reserved
1	0x14	RESERVED	7:0	RESERVED	R/W	0x3F	Reserved

### 5.6.4.2 FPD3 Channel 1 Registers

**表 5-13. FPD3 Channel 1 Registers**

Page	Addr (hex)	Register Name	Bit(s)	Field	Type	Default	Description
2	0x00	RESERVED	7:0	RESERVED	R/W	0x0	Reserved
2	0x01	RESERVED	7:0	RESERVED	R/W	0xE0	Reserved
2	0x02	RESERVED	7:0	RESERVED	R/W	0x0	Reserved
2	0x03	RESERVED	7:0	RESERVED	R/W	0x20	Reserved
2	0x04	RESERVED	7:0	RESERVED	R/W	0x3F	Reserved
2	0x05	RESERVED	7:0	RESERVED	R/W	0x0	Reserved
2	0x06	RESERVED	7:0	RESERVED	R/W	0x74	Reserved
2	0x07	RESERVED	7:0	RESERVED	R/W	0x0A	Reserved
2	0x08-0x0E	RESERVED	7:0	RESERVED	R/W	0x0	Reserved
2	0x0F	ATP_CTL1	7:1	RESERVED	R/W	0x0	Reserved
0			EN_LOOP_DRV	R/W	0x0	Enable FPD3 data to loop through driver 0: disabled (default) 1: enabled	
2	0x10	ATP_CTL2	7:2	RESERVED	R/W	0x0	Reserved
1			EN_DATA_OUT	R/W	0x0	Enable CMLOUT data output 0: disabled (default) 1: enabled	
0			RESERVED	R/W	0x0	Reserved	
2	0x11-0x12	RESERVED	7:0	RESERVED	R/W	0x0	Reserved
2	0x13	RESERVED	7:0	RESERVED	R/W	0x20	Reserved
2	0x14	RESERVED	7:0	RESERVED	R/W	0x3F	Reserved

### 5.6.4.3 FPD3 RX Shared Registers

**表 5-14. FPD3 RX Shared Registers**

Page	Addr (hex)	Register Name	Bit(s)	Field	Type	Default	Description
5	0x00	REG_0_SH	7	LOOP_EN	R/W	0x0	Enable CMLOUT loop through driver 0: disabled (default) 1: enabled
			6	RESERVED	R/W	0x0	Reserved
			5	RESERVED	R/W	0x0	Reserved
			4	RESERVED	R/W	0x0	Reserved
			3	RESERVED	R/W	0x0	Reserved
			2:0	RESERVED	R/W	0x0	Reserved
5	0x01	RESERVED	7:0	RESERVED	R/W	0x0	Reserved
5	0x02	REG_2_SH	7	SEL_CHANNEL	R/W	0x0	Loop through RX Monitor MUX 0: CH0 1: CH1
			6:5	RESERVED	R/W	0x1	Reserved
			4:0	RESERVED	R/W	0x0	Reserved

表 5-14. FPD3 RX Shared Registers (continued)

Page	Addr (hex)	Register Name	Bit(s)	Field	Type	Default	Description
5	0x03	REG3_SH_STP	7:6	RESERVED	R/W	0x0	Reserved
			5	EN_TERM_STP	R/W	0x0	Enable CMLOUT loop termination 0: Disable 1: Enable
			4	RESERVED	R/W	0x0	Reserved
			3:0	RESERVED	R/W	0x8	Reserved
5	0x04	REG3_SH_COAX	7:6	RESERVED	R/W	0x0	Reserved
			5	EN_TERM_COAX	R/W	0x0	Enable CMLOUT loop termination 0: Disable 1: Enable
			4	RESERVED	R/W	0x0	Reserved
			3:0	RESERVED	R/W	0x8	Reserved

## 6 Application and Implementation

### 备注

以下应用部分中的信息不属于 TI 器件规格的范围，TI 不担保其准确性和完整性。TI 的客户应负责确定器件是否适用于其应用。客户应验证并测试其设计，以确保系统功能。

### 6.1 Application Information

The DS90UB933/934 chipset supports video transport and bidirectional control over a single coaxial or STP cable targeted at ADAS applications, such as front, rear, and surround-view cameras, camera monitoring systems, and sensor fusion.

### 6.2 Power Over Coax

The DS90UB34-Q1 is designed to support the Power-over-Coax (PoC) method of powering remote sensor systems. With this method, the power is delivered over the same medium (a coaxial cable) used for high-speed digital video data and bidirectional control and diagnostics data transmission. The method utilizes passive networks or filters that isolate the transmission line from the loading of the DC-DC regulator circuits and their connecting power traces on both sides of the link as shown in 图 6-1.

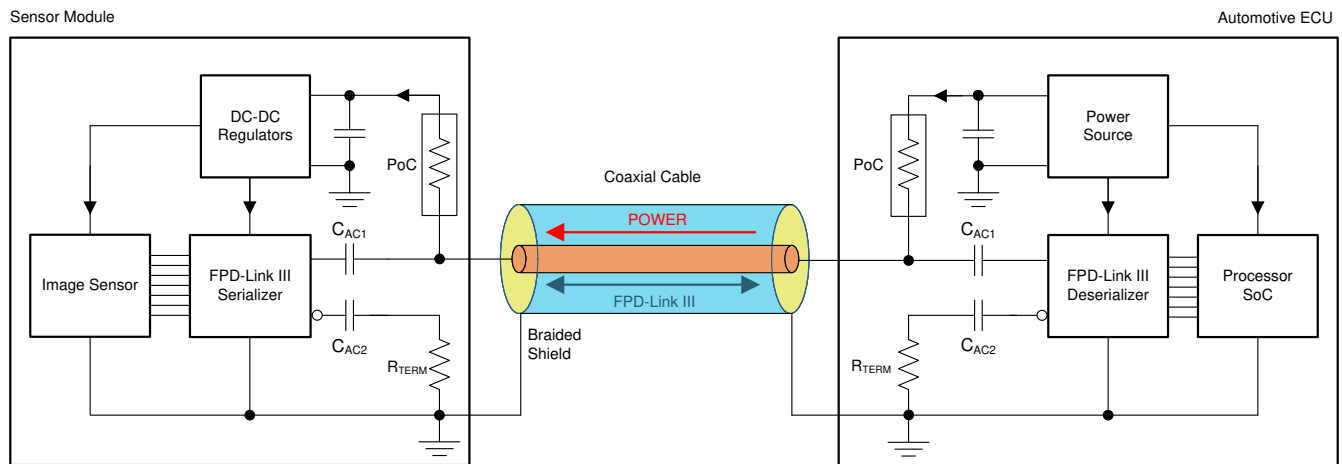


图 6-1. Power Over Coax (PoC) System Diagram

The PoC networks' impedance of  $\geq 2 \text{ k}\Omega$  over a specific frequency band is typically sufficient to isolate the transmission line from the loading of the regulator circuits. The lower limit of the frequency band is defined as  $\frac{1}{2}$  of the frequency of the bidirectional control channel,  $f_{BCC}$ . The upper limit of the frequency band is the frequency of the forward high-speed channel,  $f_{FC}$ .

图 6-2 shows a PoC network recommended for a FPD-Link III consisting of DS90UB913A-Q1/DS90UB933-Q1 and DS90UB934-Q1 pair with the bidirectional channel operating at 5 Mbps ( $\frac{1}{2} f_{BCC} = 2.5 \text{ MHz}$ ) and the forward channel operating at 1.87 Gbps ( $f_{FC} = 1 \text{ GHz}$ ).

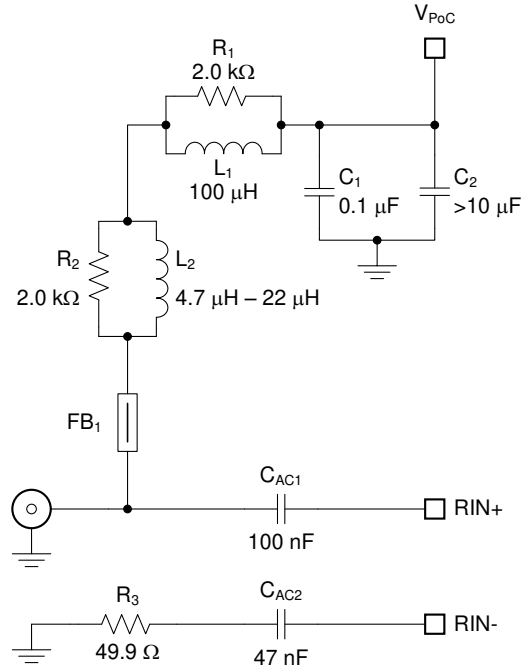


图 6-2. Typical PoC Network for a 2G FPD-Link III

表 6-1 lists essential components for this particular PoC network.

表 6-1. Suggested Components for a 2G FPD-Link III PoC Network

COUNT	REF DES	DESCRIPTION	PART NUMBER	MFR
1	L1	Inductor, 100 $\mu$ H, 0.310 $\Omega$ maximum, 710 mA minimum (Isat, Itemp) 7.2-MHz SRF typical, 6.6 mm $\times$ 6.6 mm, AEC-Q200	MSS7341-104ML	Coilcraft
1	L2	Inductor, 4.7 $\mu$ H, 0.350 $\Omega$ maximum, 700 mA minimum (Isat, Itemp) 160-MHz SRF typical, 3.8 mm $\times$ 3.8 mm, AEC-Q200	1008PS-472KL	Coilcraft
		Inductor, 4.7 $\mu$ H, 0.130 $\Omega$ maximum, 830 mA minimum (Isat, Itemp), 70-MHz SRF typical, 3.2 mm $\times$ 2.5 mm, AEC-Q200	CBC3225T4R7MRV	Taiyo Yuden
1	FB1	Ferrite Bead, 1500 k $\Omega$ at 1 GHz, 0.5 $\Omega$ maximum at DC 500-mA at 85 $^{\circ}$ C, SM0603, General-Purpose	BLM18HE152SN1	Murata
		Ferrite Bead, 1500 k $\Omega$ at 1 GHz, 0.5 $\Omega$ maximum at DC 500-mA at 85 $^{\circ}$ C, SM0603, AEC-Q200	BLM18HE152SZ1	Murata



Application report [Sending Power over Coax in DS90UB913A Designs](#) (SNLA224) discusses defining PoC networks in more detail.

In addition to the PoC network components selection, their placement and layout play a critical role as well.

- Place the smallest component, typically a ferrite bead or a chip inductor, as close to the connector as possible. Route the high-speed trace through one of its pads to avoid stubs.
- Use the smallest component pads as allowed by manufacturer's design rules. Add anti-pads in the inner planes below the component pads to minimize impedance drop.

- Consult with connector manufacturer for optimized connector footprint. If the connector is mounted on the same side as the IC, minimize the impact of the thru-hole connector stubs by routing the high-speed signal traces on the opposite side of the connector mounting side.
- Use coupled 100- $\Omega$  differential signal traces from the device pins to the AC-coupling caps. Use 50- $\Omega$  single-ended traces from the AC-coupling capacitors to the connector.
- Terminate the inverting signal traces close to the connectors with standard 49.9- $\Omega$  resistors.

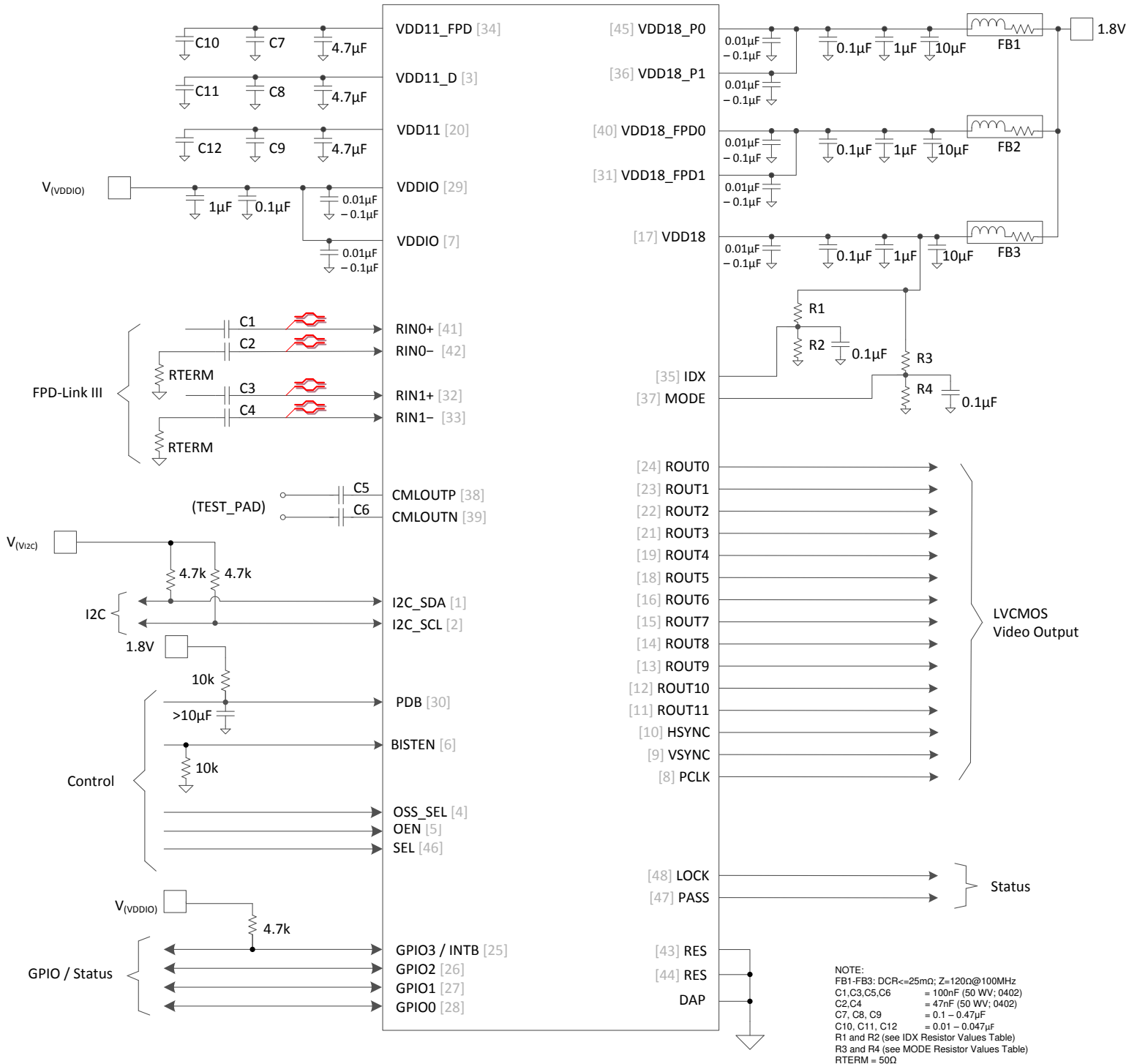
The suggested characteristics for single-ended PCB traces (microstrips or striplines) for serializer or deserializer boards are detailed in 表 6-2. The effects of the PoC networks need to be accounted for when testing the traces for compliance to the suggested limits.

**表 6-2. Suggested Characteristics for Single-Ended PCB Traces With Attached PoC Networks**

PARAMETER		MIN	TYP	MAX	UNIT
$L_{\text{trace}}$	Single-ended PCB trace length from the device pin to the connector pin			5	cm
$Z_{\text{trace}}$	Single-ended PCB trace characteristic impedance	45	50	55	$\Omega$
$Z_{\text{con}}$	Connector (mounted) characteristic impedance	40	50	60	$\Omega$
RL	Return Loss, S11	$\frac{1}{2} f_{\text{BCC}} < f < 0.1 \text{ GHz}$		-20	dB
		$0.1 \text{ GHz} < f < 1 \text{ GHz}$ (f in GHz)		$12+8*\log(f)$	dB
IL	Insertion Loss, S12	$f < 0.5 \text{ GHz}$		-0.35	dB
		$f = 1 \text{ GHz}$		-0.6	dB

The  $V_{\text{POC}}$  noise needs to be kept to 10 mVp-p or lower on the source / deserializer side of the system. The  $V_{\text{POC}}$  fluctuations on the serializer side, caused by the transient current draw of the sensor and the DC resistance of cables and PoC components, need to be kept at minimum as well. Increasing the  $V_{\text{POC}}$  voltage and adding extra decoupling capacitance ( $> 10 \mu\text{F}$ ) help reduce the amplitude and slew rate of the  $V_{\text{POC}}$  fluctuations.

### 6.3 Typical Application



Copyright © 2017, Texas Instruments Incorporated

图 6-3. Typical Connection Diagram Coaxial

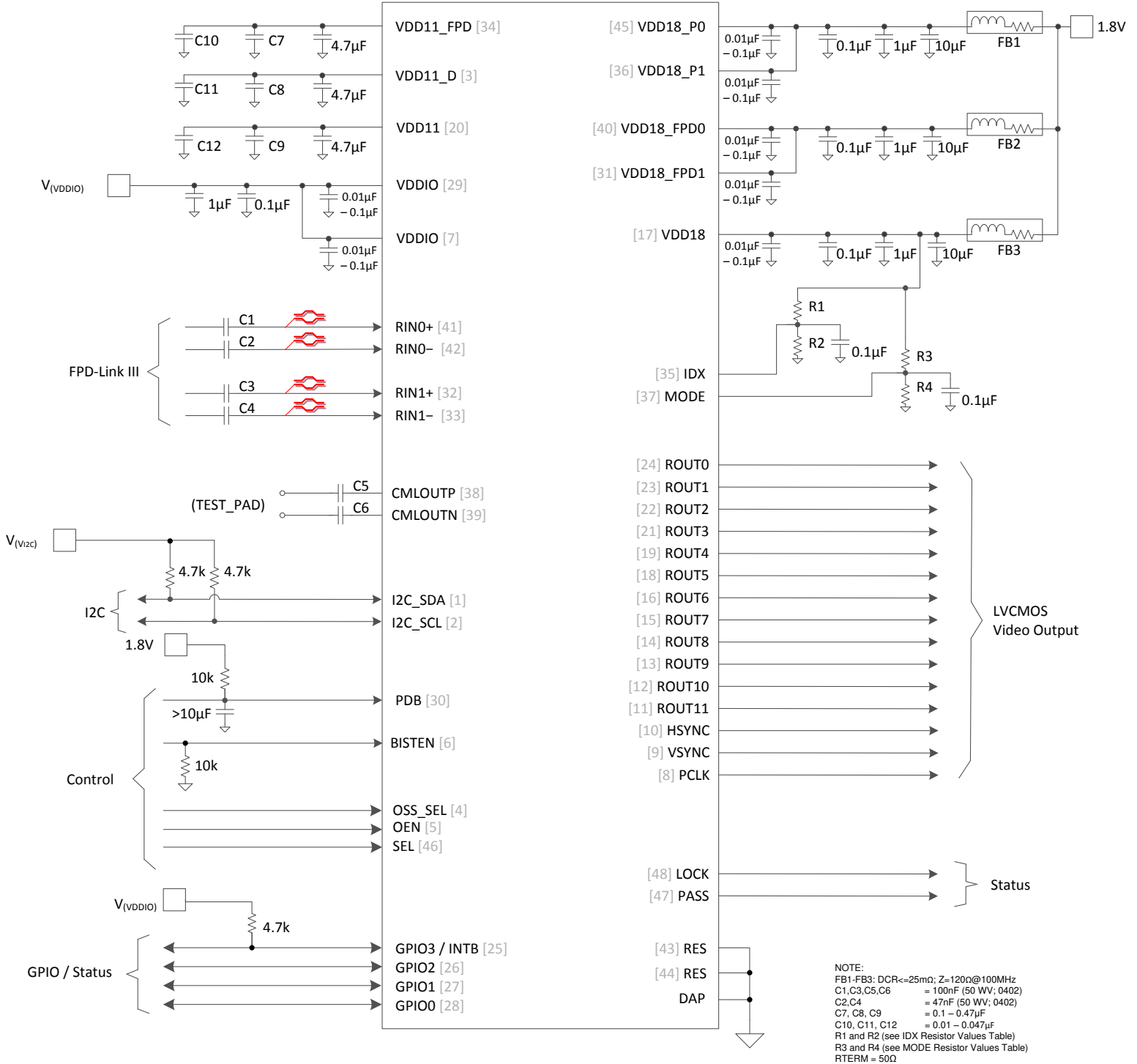


图 6-4. Typical Connection Diagram STP

### 6.3.1 Design Requirements

For the typical FPD-Link III serializer and deserializer applications, use the input parameters in 表 6-3.

表 6-3. Design Parameters

DESIGN PARAMETER	EXAMPLE VALUE
$V_{(VI2C)}$	1.8 V or 3.3 V
$V_{(VDD18)}$	1.8 V
AC-coupling capacitor for STP: RIN[1:0]±	100 nF (50 WV 0402)
AC-coupling capacitor for coaxial: RIN[1:0]+	100 nF (50 WV 0402)
AC-coupling capacitor for coaxial: RIN[1:0]-	47 nF (50 WV 0402)

### 6.3.2 Detailed Design Procedure

The serializer and deserializer support only AC-coupled interconnects through an integrated DC-balanced decoding scheme. External AC-coupling capacitors must be placed in series in the FPD-Link III signal path as shown in 图 6-5. For applications utilizing single-ended 50-Ω coaxial cable, terminate the unused data pins (RIN0 -, RIN1 -, RIN2 -, RIN3 -) with AC coupling capacitor and a 50-Ω resistor.

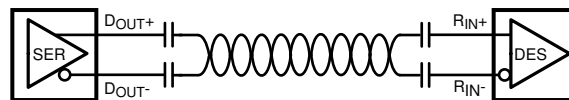


图 6-5. AC-Coupled Connection (STP)

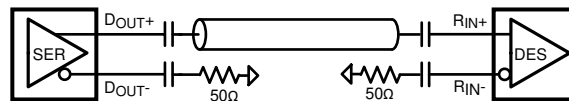


图 6-6. AC-Coupled Connection (Coaxial)

For high-speed FPD - Link III transmissions, use the smallest available package for the AC-coupling capacitor. This helps minimize degradation of signal quality due to package parasitics.

### 6.3.3 Application Curves

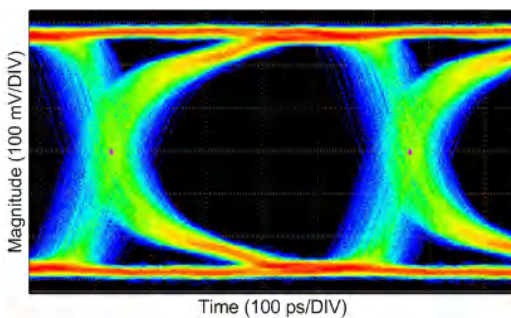


图 6-7. CMLOUTP/N Loop-through Eye Diagram at 1.867 Gbps 15 Meters of DACAR 462 Cable

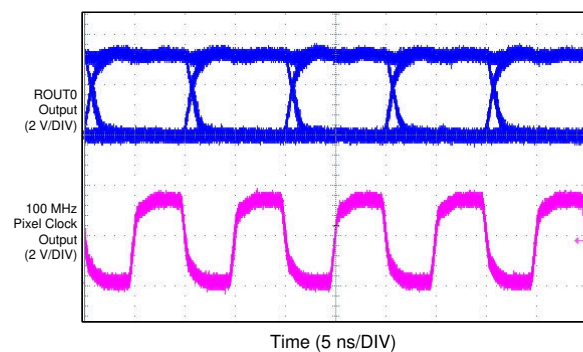


图 6-8. ROUT0 Data Sampled by 100-MHz PCLK RRFB (0x3B[0]) = 1

## 6.4 System Examples

The DS90UB934-Q1 has two input ports that operate as a multiplexer controlled by the SEL pin. A single camera can be connected to either Rx input port 0 or Rx input port 1 (图 6-9).

Two cameras can be connected simultaneously, but only one is active at a time (图 6-10). The SEL pin can be toggled on-the-fly to select which camera is forwarded to the DVP output.

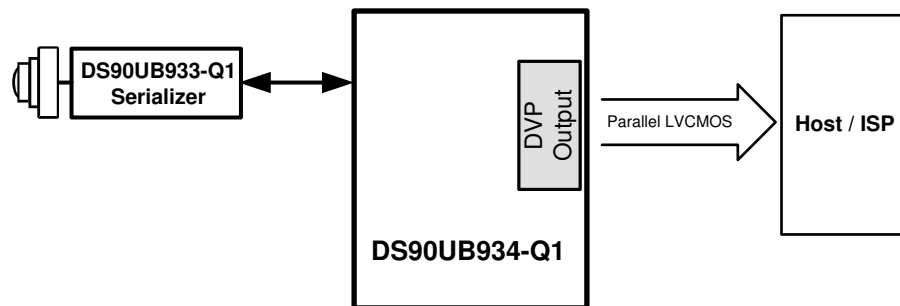
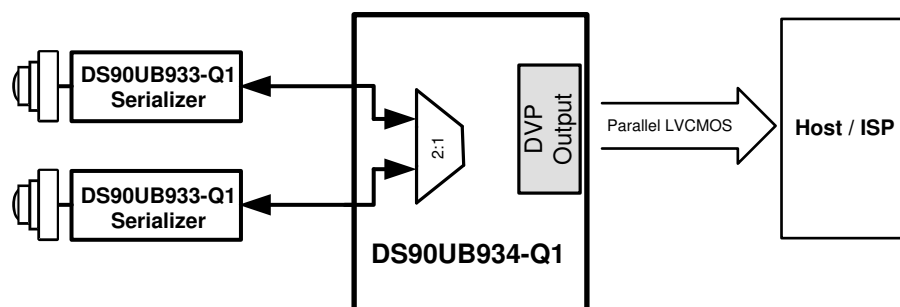


图 6-9. DS90UB933-Q1 Camera Data to 1 Rx Port



Copyright © 2016, Texas Instruments Incorporated

图 6-10. Two DS90UB933-Q1 Camera Data to 2 Rx Ports

## 6.5 Power Supply Recommendations

This device provides separate power and ground pins for different portions of the circuit. This is done to isolate switching noise effects between different sections of the circuit. Separate planes on the PCB are typically not required. [Pin Configuration and Functions](#) provide guidance on which circuit blocks are connected to which power pin pairs. In some cases, an external filter may be used to provide clean power to sensitive circuits such as PLLs.

### 6.5.1 VDD Power Supply

Each VDD power supply pin must have a 10-nF capacitor to ground connected as close as possible to the DS90UB934-Q1 device. TI recommends having additional decoupling capacitors (0.1  $\mu$ F, 1  $\mu$ F, and 10  $\mu$ F) on it. It is also recommended to have the pins connected to a solid power plane.

### 6.5.2 Power-Up Sequencing

All inputs must not be driven until both power supplies have reached steady state. The power-up sequence for the DS90UB934-Q1 is as follows:

表 6-4. Timing Diagram for the Power-Up Sequence

	PARAMETER	MIN	TYP	MAX	UNIT	NOTES
T0	$V_{(VDDIO)}$ to $V_{(VDD18)}$	0			ms	$V_{(VDDIO)}$ must come before (or at the same time as) $V_{(VDD18)}$
T1	$V_{(VDDIO)}$ rise time	1			ms	rise time = 10/90%
T2	$V_{(VDD18)}$ rise time	1			ms	rise time = 10/90%
T3	$V_{(VDDIO)}$ / $V_{(VDD18)}$ stable to PDB	0			ms	PDB = H must come after supplies are stable
T4	PDB pulse width	2			ms	Hard reset

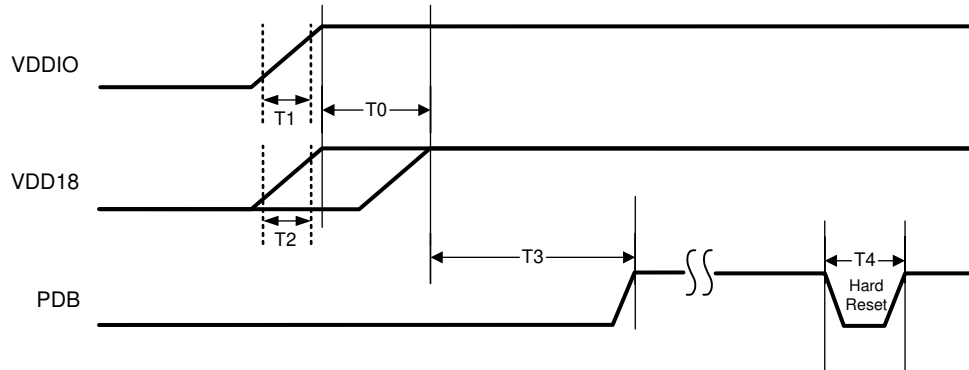


图 6-11. Power-Up Sequencing

If the FPD-Link system is not initialized in the correct sequence, the DS90UB934-Q1 may need to be reset with signal present at the input to the Deserializer to optimize the link:

1. Toggle the PDB power down reset pin, or:
2. Perform Digital Reset 1 writing register 0x01[1] = 1 over I2C. It resets the entire digital block except registers in the 934. This is a self-clearing register bit.

For the case of the loss of lock from cable when disconnecting and re-connecting FPD-Link cable, it is recommended to perform either PDB reset or digital reset via I2C when lock drops.

### 6.5.3 PDB Pin

The PDB pin is internal pull down enabled with 50k Ohm resistor. It is active HIGH and must remain LOW until the power supplies are within the recommended operating conditions. An external RC network on the PDB pin may be connected to ensure PDB arrives after all the supply pins have settled to the recommended operating voltage. When PDB pin is pulled up to VDD18, a 10-k $\Omega$  pullup and a >10- $\mu$ F capacitor to GND are required to delay the PDB input signal rise.

### 6.5.4 Ground

TI recommends that common ground plane be used in the design. This provides the best image plane for signal traces running above the plane. Connect the thermal pad of the DS90UB934-Q1 to this plane with vias.

## 6.6 Layout

### 6.6.1 Layout Guidelines

Circuit board layout and stack-up for the FPD-Link III devices must be designed to provide low-noise power feed to the device. Good layout practice also separates high-frequency or high-level inputs and outputs to minimize unwanted stray noise pickup, feedback, and interference. Power system performance may be greatly improved by using thin dielectrics (2 to 4 mils) for power/ground sandwiches. This arrangement provides plane capacitance for the PCB power system with low-inductance parasitics, which has proven especially effective at high frequencies and makes the value and placement of external bypass capacitors less critical. External bypassing should be low-ESR ceramic capacitors with high-quality dielectric. Voltage rating of the tantalum capacitors must be at least 5 $\times$  the power supply voltage being used

TI recommends surface mount capacitors due to their smaller parasitics. When using multiple capacitors per supply pin, locate the smaller value closer to the pin. A large bulk capacitor is recommended at the point of power entry. This is typically in the 47- $\mu$ F to 100- $\mu$ F range and smooths low frequency switching noise. TI recommends connecting power and ground pins directly to the power and connecting ground planes with bypass capacitors to the plane with via on both ends of the capacitor. Connecting power or ground pins to an external bypass capacitor increases the inductance of the path.

A small body size X7R chip capacitor, such as 0603 or 0402, is recommended for external bypass. Its small body size reduces the parasitic inductance of the capacitor. The user must pay attention to the resonance frequency of these external bypass capacitors, usually in the range of 20 to 30 MHz. To provide effective

bypassing, multiple capacitors are often used to achieve low impedance between the supply rails over the frequency of interest. At high frequency, it is also a common practice to use two vias from power and ground pins to the planes, reducing the impedance at high frequency.

Some devices provide separate power and ground pins for different portions of the circuit. This is done to isolate switching noise effects between different sections of the circuit. Separate planes on the PCB are typically not required. Pin function tables typically provide guidance on which circuit blocks are connected to which power pin pairs. In some cases, an external filter may be used to provide clean power to sensitive circuits such as PLLs.

Use at least a four-layer board with a power and ground plane. Locate LVCMOS signals away from the differential lines to prevent coupling from the LVCMOS lines to the differential lines. Differential impedance of  $100\ \Omega$  are typically recommended for STP interconnect and single-ended impedance of  $50\ \Omega$  for coax interconnect. The closely coupled lines help to ensure that coupled noise appears as common-mode and thus is rejected by the receivers. The tightly coupled lines also radiate less.

### 6.6.1.1 DVP Interface Guidelines

1. Route  $R_{OUT}[11:0]$  with controlled  $50\text{-}\Omega$  single-ended impedance ( $\pm 15\%$ ).
2. Keep away from other high speed signals.
3. Keep lengths to within 5 mils of each other.
4. Length matching must be near the location of mismatch.
5. Separate each signal by at least by 3 times the signal trace width.
6. Keep the use of bends in traces to a minimum. When bends are used, the number of left and right bends must be as equal as possible, and the angle of the bends must be  $\geq 135$  degrees. This arrangement minimizes any length mismatch caused by the bends, and therefore minimizes the impact that bends have on EMI.
7. Route all signals on the same layer
8. The number of vias should be kept to a minimum. TI recommends keeping the via count to 2 or fewer.
9. Keep traces on layers adjacent to ground plane.
10. Do NOT route signals over any GND plane split.
11. Adding test points causes impedance discontinuity and therefore negatively impacts signal performance. If test points are used, place them in series and symmetrically. They must not be placed in a manner that causes a stub.



### 6.6.2 Layout Example

Stencil parameters such as aperture area ratio and the fabrication process have a significant impact on paste deposition. Inspection of the stencil prior to placement of the VQFN package is highly recommended to improve board assembly yields. If the via and aperture openings are not carefully monitored, the solder may flow unevenly through the DAP.

图 6-12 shows a PCB layout example derived from the layout design of the DS90UB934-Q1EVM Evaluation Board. The graphic and layout description are used to determine proper routing when designing the board. The FPD-Link III traces leading to RIN0+, RIN0-, RIN1+, RIN1- carry critical high-speed signals, and have highest priority in routing.

For STP applications, the positive and negative traces are tightly coupled with differential 100-Ω characteristic impedance.

For coaxial applications, the FPD-Link III traces must have 50-Ω characteristic impedance. As a secondary priority, loosely couple the traces with differential 100-Ω characteristic impedance.

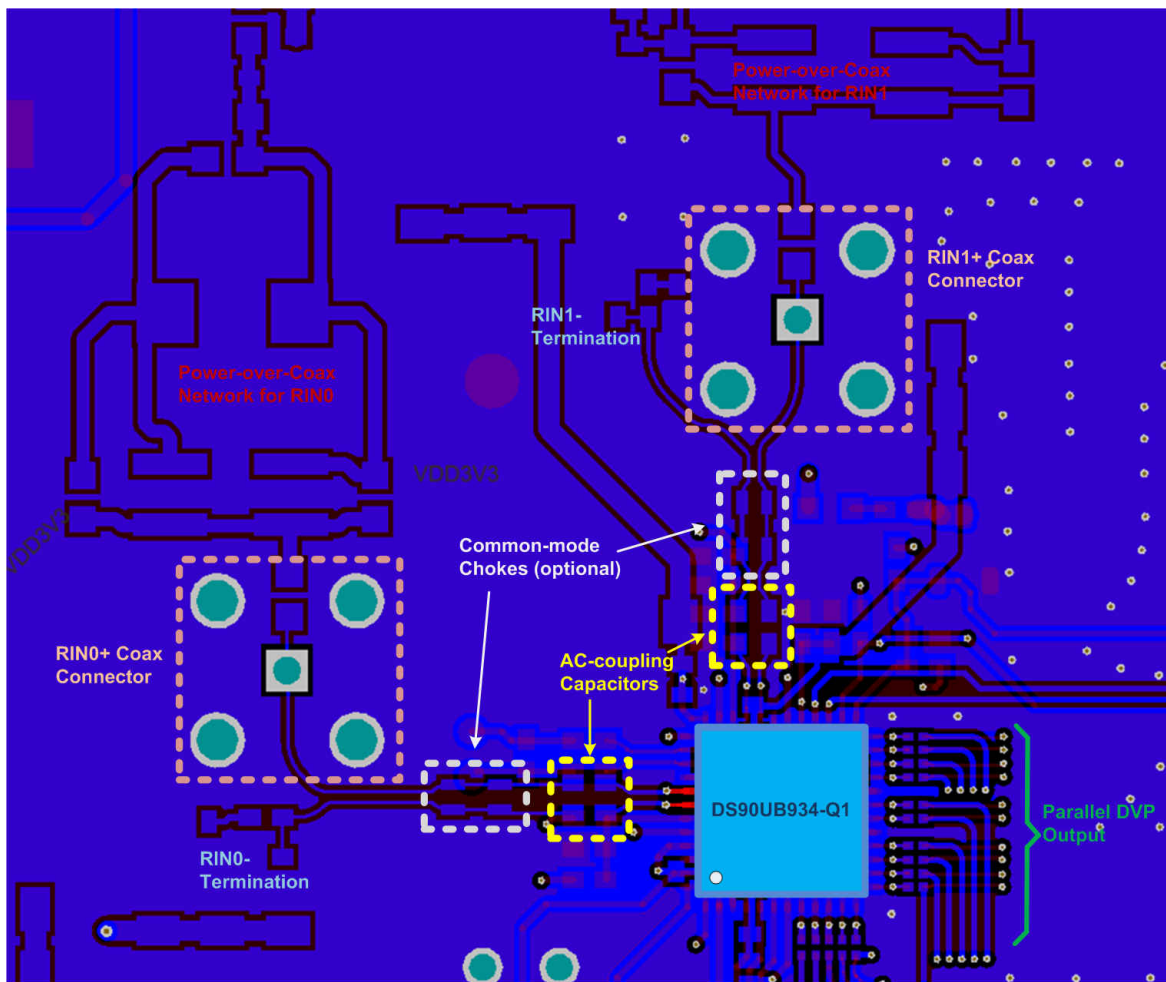


图 6-12. DS90UB934-Q1 Example PCB Layout

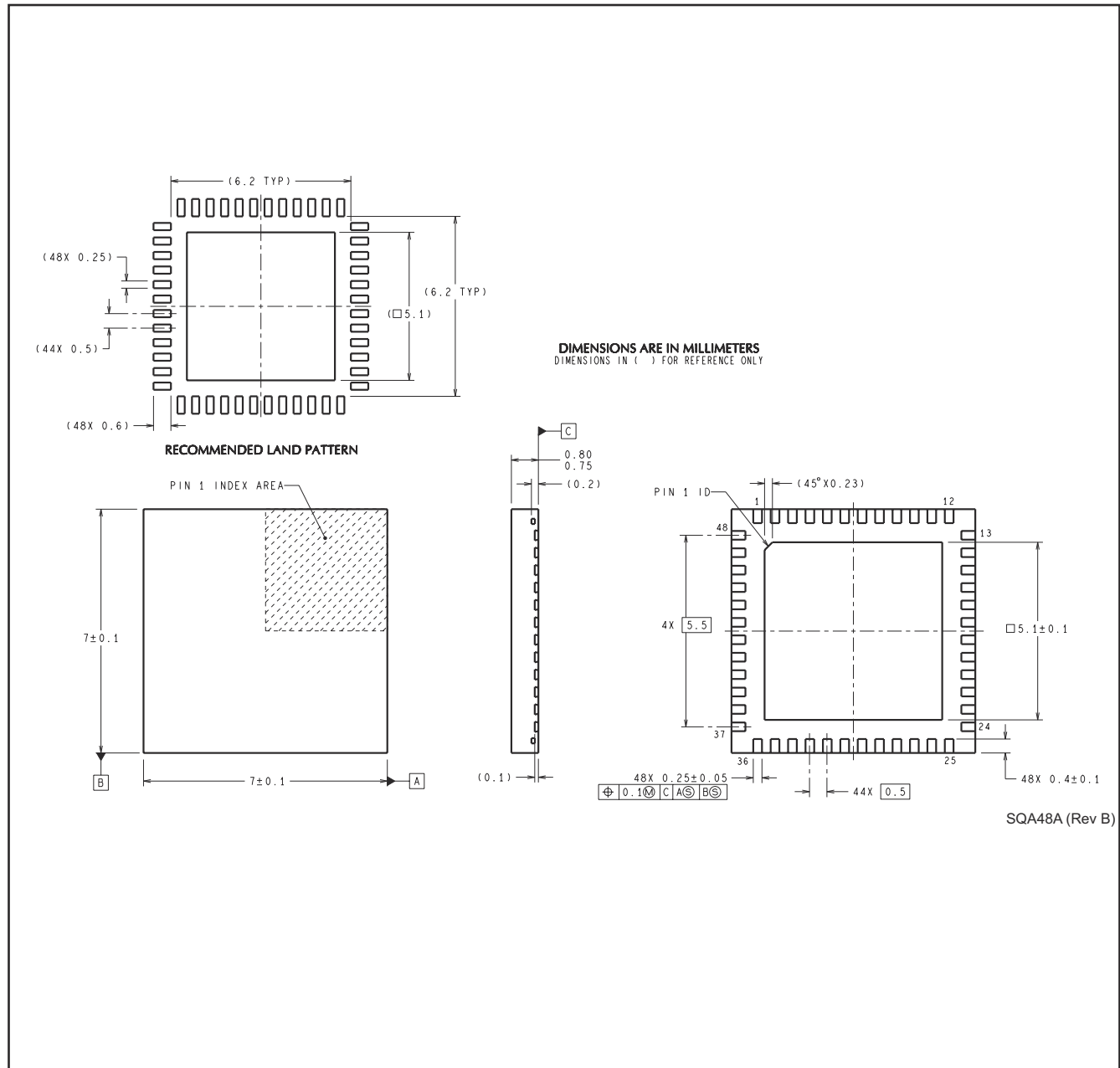
1. Place vias, AC-coupling capacitors, and common-mode chokes (if used) on the FPD-Link III traces closely together so that the impedance discontinuity appears as tightly grouped as possible.
2. If PoC is used, place a ferrite bead placed as close as possible to the FPD-Link III trace to minimize the stub seen due to the filter network.
3. The high-speed FPD-Link III traces are routed differentially up to the connector. For the layout of a coaxial interconnects, use coupled traces with the RINx - termination near to the connector.

## Mechanical, Packaging, and Orderable Information

The following pages include mechanical, packaging, and orderable information. This information is the most current data available for the designated devices. This data is subject to change without notice and revision of this document. For browser-based versions of this data sheet, refer to the left-hand navigation.

## MECHANICAL DATA

### RHS0048A



## 7 Device and Documentation Support

### 7.1 Documentation Support

#### 7.1.1 Related Documentation

For related documentation see the following:

- [DS90UB934-Q1EVM User's Guide](#)
- [FPD-Link Learning Center](#)
- [Backwards Compatibility Modes for Operation with Parallel Output Deserializers](#)
- [I2C over DS90UB913/4 FPD-Link III with Bidirectional Control Channel](#)
- [Sending Power Over Coax in DS90UB913A Designs](#)
- [I2C Bus Pullup Resistor Calculation](#)
- [Soldering Specifications Application Report](#)
- [Semiconductor and IC Package Thermal Metrics Application Report](#)
- [Leadless Leadframe Package \(LLP\) Application Report](#)
- [LVDS Owner's Manual](#)
- [An EMC/EMI System-Design and Testing Methodology for FPD-Link III SerDes](#)
- [Ten Tips for Successfully Designing with Automotive EMC/EMI Requirements](#)

### 7.2 术语表

**TI 术语表** 本术语表列出并解释了术语、首字母缩略词和定义。

### 7.3 Receiving Notification of Documentation Updates

To receive notification of documentation updates, navigate to the device product folder on [ti.com](#). Click on *Subscribe to updates* to register and receive a weekly digest of any product information that has changed. For change details, review the revision history included in any revised document.

### 7.4 支持资源

**TI E2E™ 支持论坛**是工程师的重要参考资料，可直接从专家获得快速、经过验证的解答和设计帮助。搜索现有解答或提出自己的问题可获得所需的快速设计帮助。

链接的内容由各个贡献者“按原样”提供。这些内容并不构成 TI 技术规范，并且不一定反映 TI 的观点；请参阅 TI 的《使用条款》。

### 7.5 Trademarks

TI E2E™ is a trademark of Texas Instruments.

所有商标均为其各自所有者的财产。

## Mechanical, Packaging, and Orderable Information

The following pages include mechanical, packaging, and orderable information. This information is the most current data available for the designated devices. This data is subject to change without notice and revision of this document. For browser-based versions of this data sheet, refer to the left-hand navigation.

**PACKAGING INFORMATION**

Orderable Device	Status (1)	Package Type	Package Drawing	Pins	Package Qty	Eco Plan (2)	Lead finish/ Ball material (6)	MSL Peak Temp (3)	Op Temp (°C)	Device Marking (4/5)	Samples
DS90UB934TRGZRQ1	ACTIVE	VQFN	RGZ	48	2500	RoHS & Green	NIPDAU	Level-3-260C-168 HR	-40 to 105	UB934Q	<a href="#">Samples</a>
DS90UB934TRGZTQ1	ACTIVE	VQFN	RGZ	48	250	RoHS & Green	NIPDAU	Level-3-260C-168 HR	-40 to 105	UB934Q	<a href="#">Samples</a>

(1) The marketing status values are defined as follows:

**ACTIVE:** Product device recommended for new designs.

**LIFEBUY:** TI has announced that the device will be discontinued, and a lifetime-buy period is in effect.

**NRND:** Not recommended for new designs. Device is in production to support existing customers, but TI does not recommend using this part in a new design.

**PREVIEW:** Device has been announced but is not in production. Samples may or may not be available.

**OBSELETE:** TI has discontinued the production of the device.

(2) **RoHS:** TI defines "RoHS" to mean semiconductor products that are compliant with the current EU RoHS requirements for all 10 RoHS substances, including the requirement that RoHS substance do not exceed 0.1% by weight in homogeneous materials. Where designed to be soldered at high temperatures, "RoHS" products are suitable for use in specified lead-free processes. TI may reference these types of products as "Pb-Free".

**RoHS Exempt:** TI defines "RoHS Exempt" to mean products that contain lead but are compliant with EU RoHS pursuant to a specific EU RoHS exemption.

**Green:** TI defines "Green" to mean the content of Chlorine (Cl) and Bromine (Br) based flame retardants meet JS709B low halogen requirements of <=1000ppm threshold. Antimony trioxide based flame retardants must also meet the <=1000ppm threshold requirement.

(3) MSL, Peak Temp. - The Moisture Sensitivity Level rating according to the JEDEC industry standard classifications, and peak solder temperature.

(4) There may be additional marking, which relates to the logo, the lot trace code information, or the environmental category on the device.

(5) Multiple Device Markings will be inside parentheses. Only one Device Marking contained in parentheses and separated by a "~" will appear on a device. If a line is indented then it is a continuation of the previous line and the two combined represent the entire Device Marking for that device.

(6) Lead finish/Ball material - Orderable Devices may have multiple material finish options. Finish options are separated by a vertical ruled line. Lead finish/Ball material values may wrap to two lines if the finish value exceeds the maximum column width.

**Important Information and Disclaimer:**The information provided on this page represents TI's knowledge and belief as of the date that it is provided. TI bases its knowledge and belief on information provided by third parties, and makes no representation or warranty as to the accuracy of such information. Efforts are underway to better integrate information from third parties. TI has taken and continues to take reasonable steps to provide representative and accurate information but may not have conducted destructive testing or chemical analysis on incoming materials and chemicals. TI and TI suppliers consider certain information to be proprietary, and thus CAS numbers and other limited information may not be available for release.

In no event shall TI's liability arising out of such information exceed the total purchase price of the TI part(s) at issue in this document sold by TI to Customer on an annual basis.



**TAPE AND REEL INFORMATION**

**QUADRANT ASSIGNMENTS FOR PIN 1 ORIENTATION IN TAPE**


\*All dimensions are nominal

Device	Package Type	Package Drawing	Pins	SPQ	Reel Diameter (mm)	Reel Width W1 (mm)	A0 (mm)	B0 (mm)	K0 (mm)	P1 (mm)	W (mm)	Pin1 Quadrant
DS90UB934TRGZRQ1	VQFN	RGZ	48	2500	330.0	16.4	7.3	7.3	1.1	12.0	16.0	Q2
DS90UB934TRGZTQ1	VQFN	RGZ	48	250	180.0	16.4	7.3	7.3	1.1	12.0	16.0	Q2

**TAPE AND REEL BOX DIMENSIONS**


\*All dimensions are nominal

Device	Package Type	Package Drawing	Pins	SPQ	Length (mm)	Width (mm)	Height (mm)
DS90UB934TRGZRQ1	VQFN	RGZ	48	2500	367.0	367.0	38.0
DS90UB934TRGZTQ1	VQFN	RGZ	48	250	210.0	185.0	35.0

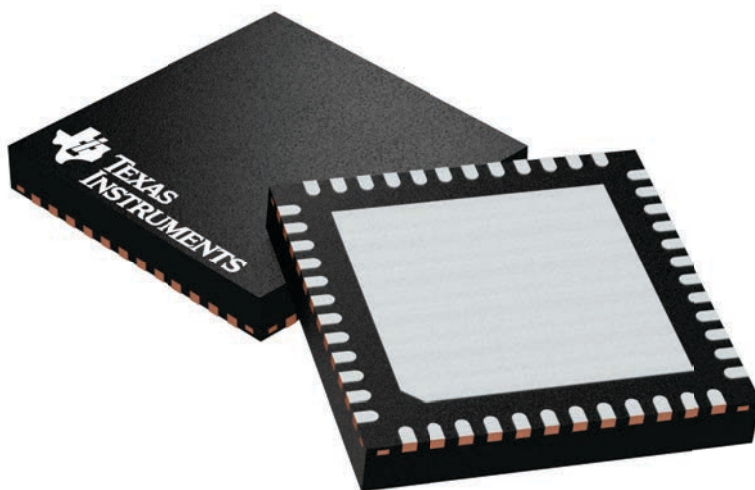
## GENERIC PACKAGE VIEW

**RGZ 48**

**VQFN - 1 mm max height**

7 x 7, 0.5 mm pitch

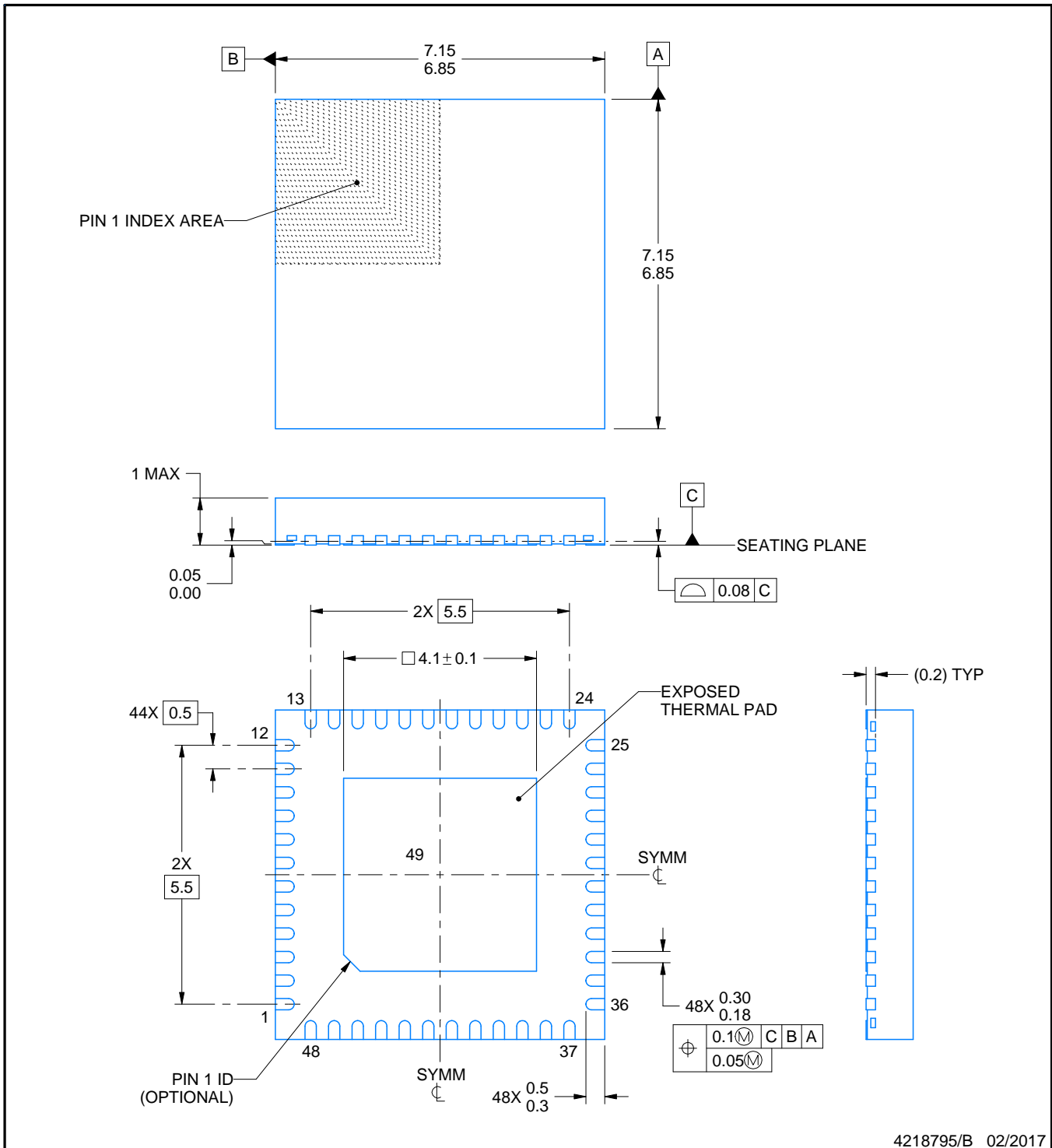
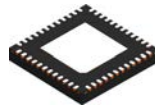
PLASTIC QUADFLAT PACK- NO LEAD



Images above are just a representation of the package family, actual package may vary.  
Refer to the product data sheet for package details.

4224671/A





4218795/B 02/2017

NOTES:

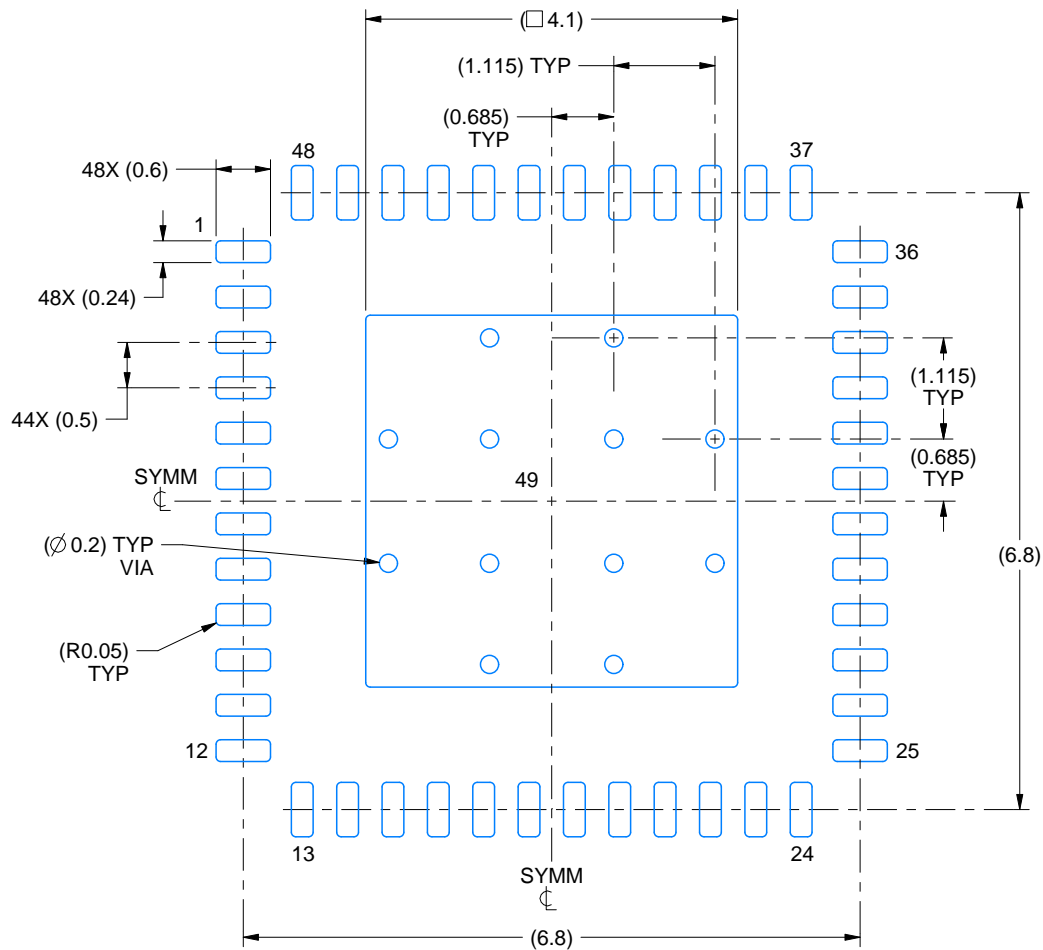
1. All linear dimensions are in millimeters. Any dimensions in parenthesis are for reference only. Dimensioning and tolerancing per ASME Y14.5M.
2. This drawing is subject to change without notice.
3. The package thermal pad must be soldered to the printed circuit board for thermal and mechanical performance.

# EXAMPLE BOARD LAYOUT

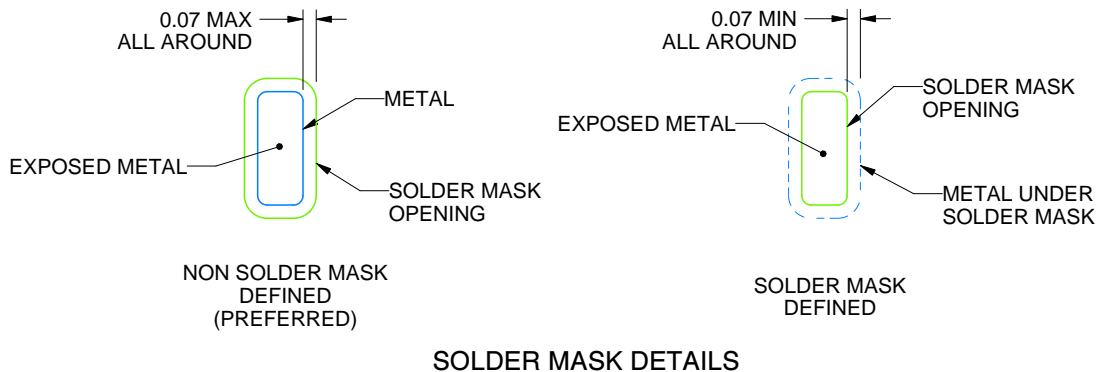
**RGZ0048B**

**VQFN - 1 mm max height**

PLASTIC QUAD FLATPACK - NO LEAD



**LAND PATTERN EXAMPLE**  
EXPOSED METAL SHOWN  
SCALE:12X



**SOLDER MASK DETAILS**

4218795/B 02/2017

NOTES: (continued)

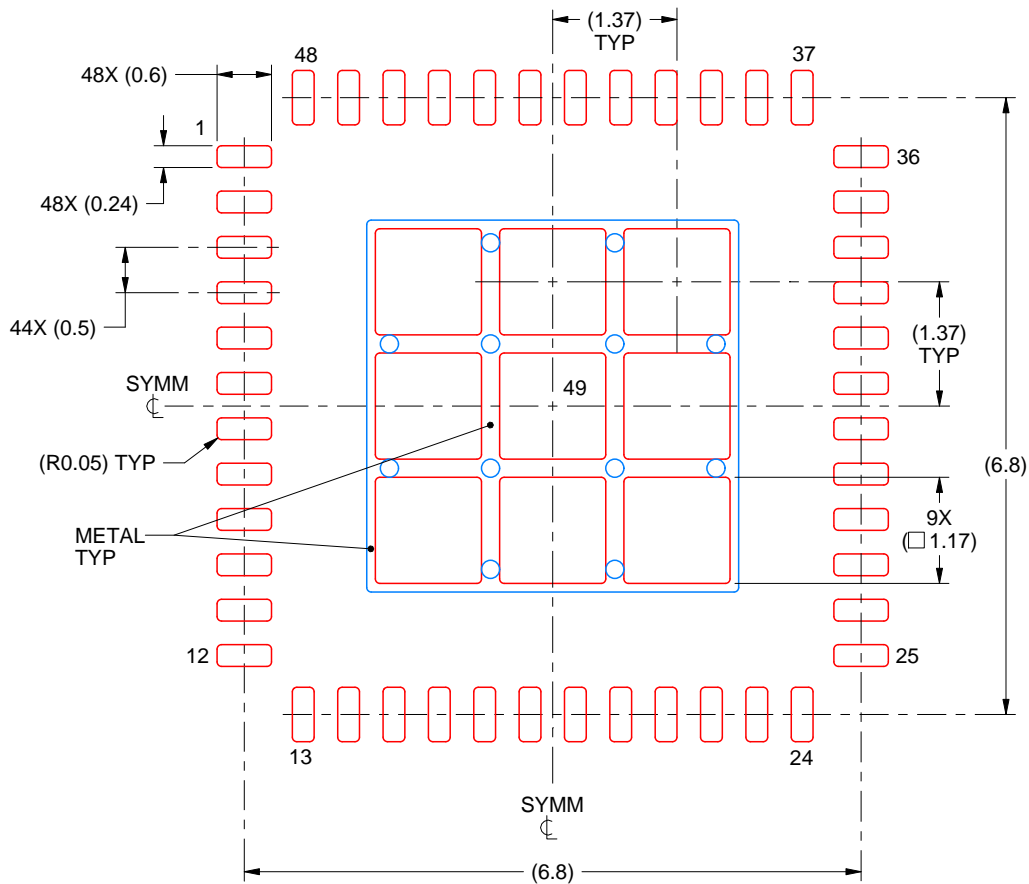
4. This package is designed to be soldered to a thermal pad on the board. For more information, see Texas Instruments literature number SLUA271 ([www.ti.com/lit/slua271](http://www.ti.com/lit/slua271)).
5. Vias are optional depending on application, refer to device data sheet. If any vias are implemented, refer to their locations shown on this view. It is recommended that vias under paste be filled, plugged or tented.

# EXAMPLE STENCIL DESIGN

RGZ0048B

VQFN - 1 mm max height

PLASTIC QUAD FLATPACK - NO LEAD



**SOLDER PASTE EXAMPLE**  
 BASED ON 0.125 mm THICK STENCIL

EXPOSED PAD 49  
 73% PRINTED SOLDER COVERAGE BY AREA UNDER PACKAGE  
 SCALE:12X

4218795/B 02/2017

NOTES: (continued)

- 6. Laser cutting apertures with trapezoidal walls and rounded corners may offer better paste release. IPC-7525 may have alternate design recommendations.

## 重要声明和免责声明

TI“按原样”提供技术和可靠性数据（包括数据表）、设计资源（包括参考设计）、应用或其他设计建议、网络工具、安全信息和其他资源，不保证没有瑕疵且不做任何明示或暗示的担保，包括但不限于对适销性、某特定用途方面的适用性或不侵犯任何第三方知识产权的暗示担保。

这些资源可供使用 TI 产品进行设计的熟练开发人员使用。您将自行承担以下全部责任：(1) 针对您的应用选择合适的 TI 产品，(2) 设计、验证并测试您的应用，(3) 确保您的应用满足相应标准以及任何其他功能安全、信息安全、监管或其他要求。

这些资源如有变更，恕不另行通知。TI 授权您仅可将这些资源用于研发本资源所述的 TI 产品的应用。严禁对这些资源进行其他复制或展示。您无权使用任何其他 TI 知识产权或任何第三方知识产权。您应全额赔偿因在这些资源的使用中对 TI 及其代表造成的任何索赔、损害、成本、损失和债务，TI 对此概不负责。

TI 提供的产品受 [TI 的销售条款](#) 或 [ti.com](#) 上其他适用条款/TI 产品随附的其他适用条款的约束。TI 提供这些资源并不会扩展或以其他方式更改 TI 针对 TI 产品发布的适用的担保或担保免责声明。

TI 反对并拒绝您可能提出的任何其他或不同的条款。

邮寄地址：Texas Instruments, Post Office Box 655303, Dallas, Texas 75265

Copyright © 2022，德州仪器 (TI) 公司

## X-ON Electronics

Largest Supplier of Electrical and Electronic Components

*Click to view similar products for* [Serializers & Deserializers - Serdes category:](#)

*Click to view products by* [Texas Instruments manufacturer:](#)

Other Similar products are found below :

[DS90UB983RTDRQ1](#) [DS90UB936TRGZRQ1](#) [MAX24288ETK2](#) [BU8254KVT-E2](#) [DS90UH948TNKDRQ1](#) [TSER953RHBR](#)  
[DS90UB940NTNKDRQ1](#) [DS90C189TWRTDRQ1](#) [DS90UB953ATRHBRQ1](#) [DS90UB941ASRTDRQ1](#) [TDES954RGZT](#) [TDES954RGZR](#)  
[DS90UB928QSQX/NOPB](#) [TDES4940RURT](#) [MAX9295AGTJ/V+T](#) [MAX96717GTJ/VY+T](#) [MAX96717FGTJ/VY+T](#) [MAX96705GTJ/V+T](#)  
[MAX96712GTB/V+T](#) [MAX9286GTN/V+](#) [DS90UR903QSQE/NOPB](#) [DS90UA101TRTVRQ1](#) [DS90UB928QSQ/NOPB](#) [FIN210ACMLX](#)  
[DS90UB913ATRTRVRQ1](#) [DS90UB954TRGZTQ1](#) [DS92LV0421SQX/NOPB](#) [DS90UB954TRGZRQ1](#) [DS90UB936TRGZTQ1](#)  
[DS90UB934TRGZTQ1](#) [SN65HVS881PWPR](#) [HG82C51N](#) [DS90UB953TRHBRQ1](#) [MAX9278AGTM/V+](#) [MAX96705GTJ/V+](#)  
[DS90UB948TNKDRQ1](#) [MAX24287ETK2](#) [MAX24287ETK+](#) [PTN3700EV/G,118](#) [WK2114-ISPG](#) [TLK10022CTR](#) [DS92LV2412SQ/NOPB](#)  
[DS32EL0124SQE/NOPB](#) [DS32EL0421SQE/NOPB](#) [DS32ELX0124SQE/NOPB](#) [DS32ELX0421SQE/NOPB](#) [DS90C124IVS/NOPB](#)  
[DS90C124QVSNOPB](#) [DS90C185SQE/NOPB](#) [DS90C189TWRTDTQ1](#)