

# HD3SS3220 具有超高速 2:1 MUX 的 USB Type-C DRP 端口控制器

## 1 特性

- 集成了 2:1 超高速 Mux 的 USB Type-C 端口控制器
- 兼容 USB Type-C™ 规格
- 支持高达 10Gbps 的 USB 3.1 G1 和 G2
- 支持高达 15W 的功率输出与 3A 的电流通告和检测
- 模式配置
  - 仅主机 - 下行端口 (DFP)/仅
  - 源设备 - 上行端口 (UFP)/接收设备
  - 双角色端口 - DRP
- 通道配置 (CC)
  - USB 端口连接检测
  - 电缆方向检测
  - 角色检测
  - Type-C 电流模式 (默认、中等和高)
- 对于有源电缆的  $V_{(BUS)}$  检测和 VCONN 支持
- 音频和调试附件支持
- 支持 Try.SRC 和 Try.SNK DRP 模式
- 通过通用输入/输出 (GPIO) 和 I<sup>2</sup>C 控制配置
- 工作和待机电流消耗都很低
- 工业温度范围: -40°C 至 85°C

## 2 应用

- USB 主机、设备、集线器
- 移动电话、平板电脑和笔记本
- U 盘、移动硬盘、机顶盒等 USB 外设

## 3 说明

HD3SS3220 是一款具有 DRP 端口控制器的 USB 超高速 (SS) 2:1 多路复用器。该器件可为生态系统实现 USB Type-C 提供通道配置 (CC) 逻辑和 5V VCONN 电源。HD3SS3220 可配置为下行端口 (DFP)、上行端口 (UFP) 或双角色端口 (DRP)，因此成为任何应用的理想之选。

根据 Type-C 规范，HD3SS3220 在 DRP 模式下会交替将自身配置为 DFP 或 UFP。CC 逻辑块通过监视 CC1 和 CC2 引脚上的上拉或下拉电阻，以确定何时连接了 USB 端口及其端口角色。连接 USB 端口后，CC 逻辑还将确定电缆方向并相应地配置 USB SS 多路复用器。最后，CC 逻辑将分别在 DFP 和 UFP 模式下通告或检测 Type-C 电流模式 (默认、中等或高)。

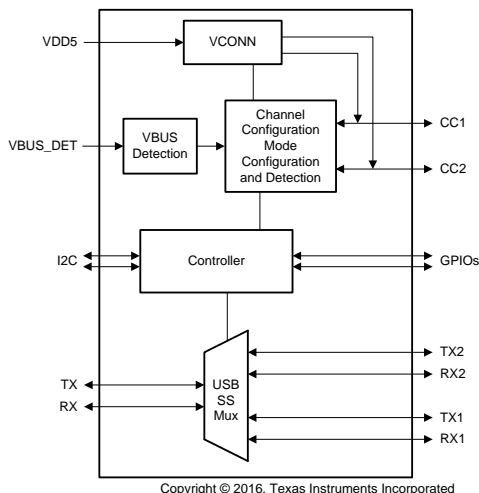
集成的多路复用器具有出色的动态特性，可在信号眼图衰减最小的情况下实现转换，并且附加抖动极少。尽管 RX 和 TX 通道的共模电压不同，但是该器件的开关路径会部署自适应共模电压跟踪功能，确保两通道相同。

### 器件信息<sup>(1)</sup>

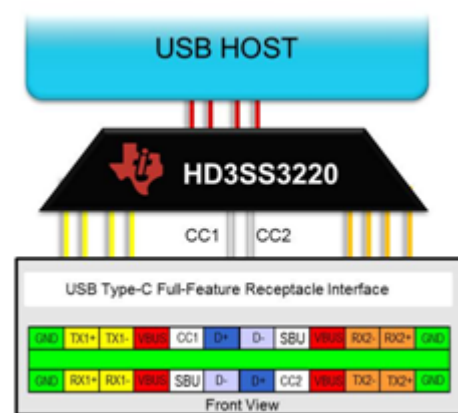
器件型号	封装	封装尺寸 (标称值)
HD3SS3220	VQFN RNH (30)	2.50mm x 4.50mm
HD3SS3220I		

(1) 要了解所有可用封装，请见数据表末尾的可订购产品附录。

简化电路原理图



典型应用



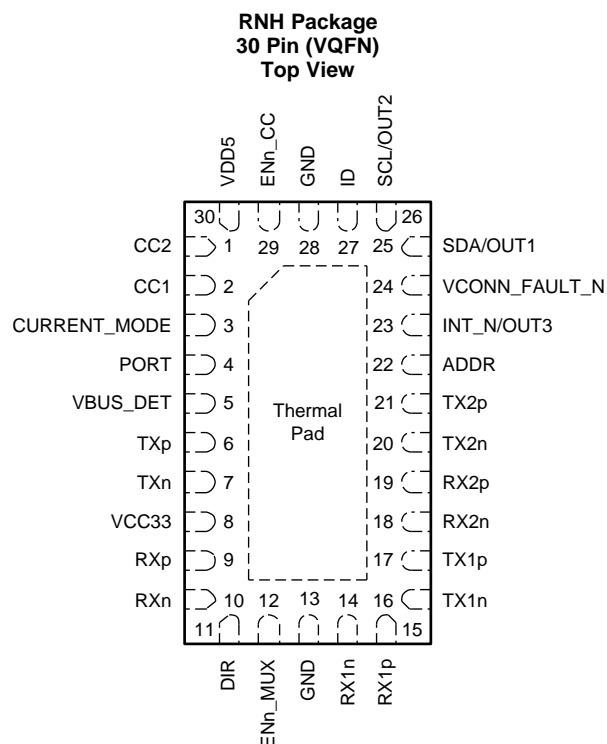
## 目录

<b>1</b>	特性 .....	<b>1</b>	7.5	Programming.....	<b>18</b>
<b>2</b>	应用 .....	<b>1</b>	7.6	Register Maps .....	<b>19</b>
<b>3</b>	说明 .....	<b>1</b>	<b>8</b>	<b>Application and Implementation .....</b>	<b>23</b>
<b>4</b>	修订历史记录 .....	<b>2</b>	8.1	Application Information.....	<b>23</b>
<b>5</b>	<b>Pin Configuration and Functions .....</b>	<b>3</b>	8.2	Typical Application, DRP Port .....	<b>24</b>
<b>6</b>	<b>Specifications.....</b>	<b>5</b>	<b>9</b>	<b>Power Supply Recommendations.....</b>	<b>29</b>
6.1	Absolute Maximum Ratings .....	<b>5</b>	<b>10</b>	<b>Layout.....</b>	<b>30</b>
6.2	ESD Ratings.....	<b>5</b>	10.1	Layout Guidelines .....	<b>30</b>
6.3	Recommended Operating Conditions.....	<b>5</b>	10.2	Layout .....	<b>36</b>
6.4	Thermal Information .....	<b>6</b>	<b>11</b>	<b>器件和文档支持 .....</b>	<b>37</b>
6.5	Electrical Characteristics.....	<b>6</b>	11.1	接收文档更新通知 .....	<b>37</b>
6.6	Timing Requirements .....	<b>8</b>	11.2	社区资源.....	<b>37</b>
<b>7</b>	<b>Detailed Description .....</b>	<b>10</b>	11.3	商标.....	<b>37</b>
7.1	Overview .....	<b>10</b>	11.4	静电放电警告.....	<b>37</b>
7.2	Functional Block Diagram .....	<b>12</b>	11.5	Glossary .....	<b>37</b>
7.3	Feature Description.....	<b>13</b>	<b>12</b>	<b>机械、封装和可订购信息.....</b>	<b>37</b>
7.4	Device Functional Modes.....	<b>16</b>			

## 4 修订历史记录

<b>Changes from Original (December 2016) to Revision A</b>	<b>Page</b>
• <a href="#">Absolute Maximum Ratings</a> , Deleted "ENn_MUX" from the Control Pins.....	<b>5</b>
• <a href="#">ESD Ratings</a> , Deleted text "Pins listed as ±XXX V may actually have higher performance." from Note 1.....	<b>5</b>
• <a href="#">Recommended Operating Conditions</a> , Added "VDD5 supply ramp time" .....	<b>5</b>
• <a href="#">Recommended Operating Conditions</a> , Changed "External resistor on VBUS_DET pin" MIN value From: 890 KΩ To: 880 KΩ.....	<b>5</b>
• Switch the position of CC1 and CC2 in <a href="#">Figure 10</a> .....	<b>24</b>
• Switch the position of CC1 and CC2 in <a href="#">Figure 11</a> .....	<b>26</b>
• Switch the position of CC1 and CC2 in <a href="#">Figure 12</a> .....	<b>28</b>

## 5 Pin Configuration and Functions



### Pin Functions

PIN		I/O	DESCRIPTION
NAME	NO.		
CC2	1	I/O	Type-C Configuration channel signal 2
CC1	2	I/O	Type-C Configuration channel signal 1
CURRENT_MODE	3	I	Tri-level input pin to indicate current advertisement in DFP (or DFP in DRP) mode while in GPIO mode. Don't care in UFP mode. Provides the flexibility to advertise higher current without I <sup>2</sup> C. The pin has 250 K internal pull-down. L - Low - Default - 900 mA M - Medium (Install 500 K to VDD on the PCB) - 1.5 A H - High (Install 10 K to VDD on the PCB) - 3 A
PORT	4	I	Tri-level input pin to indicate port mode. The state of this pin is sampled when HD3SS3220's ENn_CC is asserted low, and VDD is active. This pin is also sampled following a I2C_SOFT_RESET. H - DFP (Pull-up to VDD if DFP mode is desired) NC - DRP (Leave unconnected if DRP mode is desired) L - UFP (Pull-down or tie to GND if UFP mode is desired)
VBUS_DET	5	I	5-28V VBUS input voltage. VBUS detection determines UFP attachment. One 900K external resistor required between system VBUS and VBUS_DET pin.
TXp	6	I/O	Host/Device USB SuperSpeed differential Signal TX positive
TXn	7	I/O	Host/Device USB SuperSpeed differential Signal TX negative
VCC33	8	P	3.3-V Power supply
RXp	9	I/O	Host/Device USB SuperSpeed differential Signal RX positive
RXn	10	I/O	Host/Device USB SuperSpeed differential Signal RX negative
DIR	11	O	Type-C plug orientation. Open drain output. A pull-up resistor (that is, 200 K) must be installed for proper operation of the device.
ENn_MUX	12	I	Active Low MUX Enable: L - Normal operation, and H - Shutdown.
GND	13, 28	G	Ground
RX1n	14	I/O	Type-C Port - USB SuperSpeed differential Signal RX1 negative
RX1p	15	I/O	Type-C Port - USB SuperSpeed differential Signal RX1 positive

**Pin Functions (continued)**

PIN		I/O	DESCRIPTION
NAME	NO.		
TX1n	16	I/O	Type-C Port - USB SuperSpeed differential Signal TX1 negative
TX1p	17	I/O	Type-C Port - USB SuperSpeed differential Signal TX1 positive
RX2n	18	I/O	Type-C Port - USB SuperSpeed differential Signal RX2 negative
RX2p	19	I/O	Type-C Port - USB SuperSpeed differential Signal RX2 positive
TX2n	20	I/O	Type-C Port - USB SuperSpeed differential Signal TX2 negative
TX2p	21	I/O	Type-C Port - USB SuperSpeed differential Signal TX2 positive
ADDR	22	I	Tri-level input pin to indicate I <sup>2</sup> C address or GPIO mode: H (connect to VDD5) - I <sup>2</sup> C is enabled and I2C 7-bit address is 0x67. NC - GPIO mode (I2C is disabled) L (connect to GND) - I <sup>2</sup> C is enabled and I2C 7-bit address is 0x47. ADDR pin should be pulled up to VDD if high configuration is desired
INT_N/OUT3	23	O	The INT_N/OUT3 is a dual-function pin. When used as the INT_N, the pin is an open drain output in I <sup>2</sup> C control mode and is an active low interrupt signal for indicating changes in I <sup>2</sup> C registers. When used as OUT3, the pin is in audio accessory detect in GPIO mode: H - no detection, and L - audio accessory connection detected.
VCONN_FAULT_N	24	O	Open drain output. Asserted low when VCONN overcurrent detected.
SDA/OUT1	25	I/O	The SDA/OUT1 is a dual-function pin. When I2C is enabled (ADDR pin is high or low), this pin is the I <sup>2</sup> C communication data signal. When in GPIO mode (ADDR pin is NC), this pin is an open drain output for communicating Type-C current mode detect when the device is in UFP mode: H – Default (900 mA) current mode detected, and L – Medium (1.5 A) or High (3 A) Current Mode detected.
SCL/OUT2	26	I/O	The SCL/OUT2 is a dual function pin. When I <sup>2</sup> C is enabled (ADDR pin is high or low), this pin is the I <sup>2</sup> C communication clock signal. When in GPIO mode (ADDR pin is NC), this pin is an open drain output for communicating Type-C current mode detect when the device is in UFP mode: H – Default or Medium current mode detected, and L – High current mode detected.
ID	27	O	Open drain output. Asserted low when CC pin detected device attachment when port is a source (DFP), or dual-role (DRP) acting as source (DFP).
ENn_CC	29	I	Enable signal for CC controller. Enable is active low.
VDD5	30	P	5-V Power supply
Thermal Pad	–	–	The thermal PAD must be connected to GND, see the Thermal Pad connection techniques (SLMA002).

## 6 Specifications

### 6.1 Absolute Maximum Ratings

over operating free-air temperature range (unless otherwise noted)<sup>(1)</sup>

		MIN	MAX	UNIT
5-V Supply Voltage	VDD5	-0.3	6	V
3.3-V Supply Voltage	VCC33	-0.3	4	V
Control Pins	CC1, CC2, ADDR, PORT, ID, DIR, INT_N/OUT3, ENn_CC, SDA/OUT1, SCL/OUT2	-0.3	VDD5 +0.3	V
	ENn_MUX, DIR	-0.3	VCC33 +0.3	V
	VBUS_DET	-0.3	4	V
Super-speed Differential Signal Pins	[RX/TX] [p/n], [RX/TX][2/1][p/n]	-0.3	2.5	V
Storage temperature, T <sub>stg</sub>		-65	150	°C

- (1) Stresses beyond those listed under *Absolute Maximum Ratings* may cause permanent damage to the device. These are stress ratings only, which do not imply functional operation of the device at these or any other conditions beyond those indicated under *Recommended Operating Conditions*. Exposure to absolute-maximum-rated conditions for extended periods may affect device reliability.

### 6.2 ESD Ratings

		VALUE	UNIT
V <sub>(ESD)</sub> Electrostatic discharge	Human-body model (HBM), per ANSI/ESDA/JEDEC JS-001 <sup>(1)</sup>	±2000	V
	Charged-device model (CDM), per JEDEC specification JESD22-C101 <sup>(2)</sup>	±1500	

- (1) JEDEC document JEP155 states that 500-V HBM allows safe manufacturing with a standard ESD control process. Manufacturing with less than 500-V HBM is possible with the necessary precautions.  
(2) JEDEC document JEP157 states that 250-V CDM allows safe manufacturing with a standard ESD control process..

### 6.3 Recommended Operating Conditions

over operating free-air temperature range (unless otherwise noted)

		MIN	NOM	MAX	UNIT
V <sub>DD5</sub>	5-V Supply Voltage range	4.5 <sup>(1)</sup>		5.5	V
V <sub>CC33</sub>	3.3-V Supply Voltage range	3		3.6	V
V <sub>DD</sub>	Supply range for I <sup>2</sup> C (SDA, SCL) pins	1.65		3.6	V
V <sub>DD5(ramp)</sub>	VDD5 supply ramp time			25	ms
V <sub>(diff)</sub>	High speed signal pins differential voltage	0		1.8	V <sub>PP</sub>
V <sub>(cm)</sub>	High speed signal pins common mode voltage	0		2	V
T <sub>A</sub>	Operating free-air/ambient temperature (HD3SS3220)	0		70	°C
T <sub>A</sub>	Operating free-air/ambient temperature (HD3SS3220I)	-40		85	°C
V <sub>(BUS)</sub>	System V <sub>(BUS)</sub> input voltage through 900-K resistor	4	5	28	V
C <sub>(BULK)</sub>	Bulk capacitance on VCONN. Only when VCONN is on. Disconnected when VCONN is off. Shall be placed on VDD5.	10		200	μF
R <sub>(p_ODext)</sub>	External Pull up resistor on Open Drain IOs (OUT1, OUT2, INT/OUT3, ID, VCONN_FAULT_N, and DIR pins)		200		KΩ
R <sub>(p_TLext)</sub>	Tri-level input external pull-up resistor (PORT and ADDR pins)		4.7		KΩ
R <sub>(p_15A)</sub>	External pull up resistor to advertise 1.5 A (CURRENT_MODE pin)		500		KΩ
R <sub>(p_3A)</sub>	External pull up resistor to advertise 3 A (CURRENT_MODE pin)		10		KΩ
R <sub>(p_i2c_ext)</sub>	External Pull up resistance on I <sup>2</sup> C bus (Could be 4.7 K or higher. Nominal value listed)		2.2		KΩ
R <sub>(VBUS)</sub>	External resistor on VBUS_DET pin	880	900	910	KΩ
C <sub>(bus,i2c)</sub>	Total capacitive load for each I <sup>2</sup> C bus line			400	pF

- (1) With 200 mA VCONN current for VCONN ≥ 4.75 V at connector, VDD5 ≥ 5 V is recommended

## 6.4 Thermal Information

THERMAL METRIC <sup>(1)</sup>		HD3SS3220	UNIT
		RNH (VQFN)	
		30 PINS	
R <sub>θJA</sub>	Junction-to-ambient thermal resistance	60.9	°C/W
R <sub>θJC(top)</sub>	Junction-to-case (top) thermal resistance	50.4	°C/W
R <sub>θJB</sub>	Junction-to-board thermal resistance	22.8	°C/W
ψ <sub>JT</sub>	Junction-to-top characterization parameter	1.7	°C/W
ψ <sub>JB</sub>	Junction-to-board characterization parameter	22.6	°C/W
R <sub>θJC(bot)</sub>	Junction-to-case (bottom) thermal resistance	12.1	°C/W

(1) For more information about traditional and new thermal metrics, see the [Semiconductor and IC Package Thermal Metrics](#) application report.

## 6.5 Electrical Characteristics

over operating free-air temperature range (unless otherwise noted)

PARAMETER		TEST CONDITIONS	MIN	TYP	MAX	UNIT
<b>Power Consumption</b>						
I <sub>(ACTIVE)</sub>	Current consumption in active mode- both CC controller and SS mux on	ENn_CC/Mux = L		0.7	0.9	mA
I <sub>CC</sub>	Current consumption in active mode – CC controller on and SS mux off	ENn_CC = L, ENn_Mux = H		0.2		mA
I <sub>(SHUTDOWN)</sub>	Current consumption in shutdown mode	ENn_CC/Mux = H		5		µA
<b>CC PINS</b>						
R <sub>(CC_DB)</sub>	Pulldown resistor when in dead-battery mode.		4.1	5.1	6.1	kΩ
R <sub>(CC_D)</sub>	Pulldown resistor when in UFP or DRP mode.		4.6	5.1	5.6	kΩ
V <sub>(UFP_CC_USB)</sub>	Voltage level for detecting a DFP attach when configured as a UFP and DFP is advertising default current source capability.		0.25		0.61	V
V <sub>(UFP_CC_MED)</sub>	Voltage level for detecting a DFP attach when configured as a UFP and DFP is advertising medium (1.5 A) current source capability.		0.7		1.16	V
V <sub>(UFP_CC_HIGH)</sub>	Voltage level for detecting a DFP attach when configured as a UFP and DFP is advertising high (3 A) current source capability.		1.31		2.04	V
V <sub>(DFP_CC_USB)</sub>	Voltage level for detecting a UFP attach when configured as a DFP and advertising default current source capability.		1.51	1.6	1.64	V
V <sub>(DFP_CC_MED)</sub>	Voltage level for detecting a UFP attach when configured as a DFP and advertising 1.5-A current source capability.		1.51	1.6	1.64	V
V <sub>(DFP_CC_HIGH)</sub>	Voltage level for detecting a UFP attach when configured as a DFP and advertising 3-A current source capability.		2.46	2.6	2.74	V
V <sub>(AC_CC_USB)</sub>	Voltage level for detecting an active cable attach when configured as a DFP and advertising default current source capability.		0.15	0.2	0.25	V
V <sub>(AC_CC_MED)</sub>	Voltage level for detecting an active cable attach when configured as a DFP and advertising 1.5-A current source capability.		0.35	0.4	0.45	V
V <sub>(DFP_CC_HIGH)</sub>	Voltage level for detecting an active cable attach when configured as a DFP and advertising 3-A current source capability.		0.75	0.8	0.84	V
I <sub>CC(DEFAULT_P)</sub>	Default mode pull-up current source when operating in DFP or DRP mode.		64	80	96	µA
I <sub>CC(MED_P)</sub>	Medium (1.5 A) mode pull-up current source when operating in DFP or DRP mode.		166	180	194	µA
I <sub>CC(HIGH_P)</sub>	High (3 A) mode pull-up current source when operating in DFP or DRP mode.		34	330	356	µA
<b>3-Level Input Pins: PORT, ADDR, ENn_CC and CURRENT_MODE</b>						
V <sub>IL</sub>	Low-level input voltage				0.4	V

## Electrical Characteristics (continued)

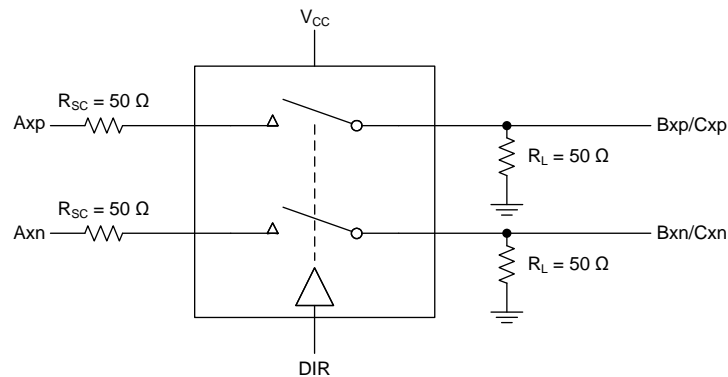
over operating free-air temperature range (unless otherwise noted)

PARAMETER		TEST CONDITIONS	MIN	TYP	MAX	UNIT
V <sub>M</sub>	Mid-Level (Floating) voltage (PORT, ADDR and CURRENT_MODE pins)		0.28 x VDD5		0.56 x VDD5	V
V <sub>IH</sub>	High-level input voltage		VDD5 - 0.3		VDD5	V
I <sub>IH</sub>	High-level input current		20		20	μA
I <sub>IL</sub>	Low-level input current		-10		10	μA
I <sub>ID(LKG)</sub>	Current Leakage on ID pin	VDD5 = 0 V, ID = 5 V			10	μA
R <sub>(pu)</sub>	Internal pull-up resistance (PORT and ADDR pins)			588		kΩ
R <sub>(pd)</sub>	Internal pull-down resistance (PORT and ADDR pins)			1.1		MΩ
R <sub>(pd_CURRENT)</sub>	Internal pull-down resistance (CURRENT_MODE pin)			275		kΩ
R <sub>(ENn_CC)</sub>	Internal pull-up resistance (ENn_CC pin)			1.1		MΩ
<b>Input Pins: ENn_MUX</b>						
V <sub>IL</sub>	Low-level input voltage				0.3 x VCC33	V
V <sub>IH</sub>	High-level input voltage		0.7 x VCC33			V
I <sub>IH</sub>	High-level input current		-1		1	μA
I <sub>IL</sub>	Low-level input current		-1		1	μA
<b>Open Drain Output Pins: OUT1, OUT2, INT_N/OUT3, ID, VCONN_FAULT_N, DIR</b>						
V <sub>OL</sub>	Low-level signal output voltage	I <sub>OL</sub> = -1.6 mA			0.4	V
<b>I<sup>2</sup>C– SDA/OUT1, SCL/OUT2 can Operate from 1.8/3.3 V (±10%)<sup>(1)</sup></b>						
V <sub>IH</sub>	High-level input voltage		1.05			V
V <sub>IL</sub>	Low-level input voltage				0.4	V
V <sub>OL</sub>	Low-level output voltage (open-drain)	I <sub>OL</sub> = -1.6 mA			0.4	V
<b>VBUS_DET IO Pin (Connected to System VBUS Signal)</b>						
V <sub>(BUS_THR)</sub>	VBUS threshold range		2.95	3.3	3.8	V
R <sub>(VBUS_DET_INT)</sub>	Internal pull-down resistor at VBUS_DET pin			95		kΩ
<b>VCONN</b>						
R <sub>ON</sub>	On resistance of the VCONN power FET				1.25	Ω
V <sub>(TOL)</sub>	Voltage tolerance on VCONN power FET				5.5	V
V <sub>(pass)</sub>	Voltage to pass through VCONN power FET				5.5	V
I <sub>(VCONN)</sub>	VCONN current limit. VCONN will be disconnected above this value		225	300	375	mA
<b>MUX High Speed Performance Parameters</b>						
I <sub>L</sub>	Differential Insertion Loss	f = 0.3 Mhz			-0.43	dB
		f = 2.5 Ghz			-1.07	
		f = 5 Ghz			-1.42	
BW	Bandwidth				8	Ghz
R <sub>L</sub>	Differential return loss	f = 0.3 Mhz			-27	dB
		f = 2.5 Ghz			-9	
		f = 5 Ghz			-9	
O <sub>IRR</sub>	Differential OFF isolation	f = 0.3 Mhz			-79	dB
		f = 2.5 Ghz			-23	
		f = 5 Ghz			-20	
X <sub>TALK</sub>	Differential Cross Talk	f = 0.3 Mhz			-89	dB
		f = 2.5 Ghz			-34	
		f = 5 Ghz			-30	
R <sub>ON</sub>	On resistance				8	Ω

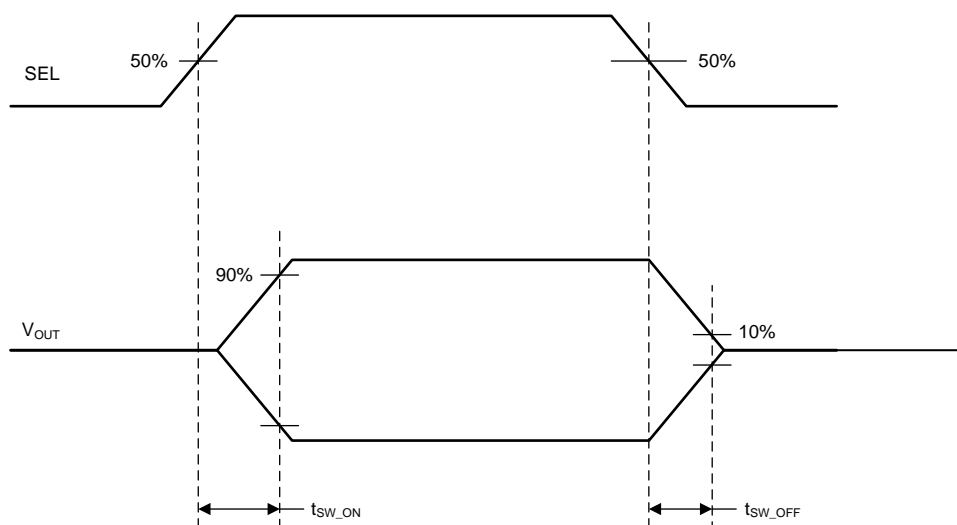
(1) When using 3.3 V for I<sup>2</sup>C, customer must ensure VDD is above 3 V at all times.

## 6.6 Timing Requirements

		MIN	NOM	MAX	UNIT
<b>I2C (SDA, SCL)</b>					
$t_{SU:DAT}$	Data setup time	250			ns
$t_{SU:STA}$	Set-up time, SCL to start condition	4.7			$\mu$ s
$t_{HD:STA}$	Hold time,(repeated) start condition to SCL	0.4			$\mu$ s
$t_{SU:STO}$	Set up time for STOP condition	0.4			$\mu$ s
$t_{BUF}$	Bus free time between a STOP and START condition	4.7			$\mu$ s
$f_{SCL}$	SCL clock frequency; I <sup>2</sup> C mode for local I <sup>2</sup> C control			100	ns
$t_r$	Rise time of both SDA and SCL signals			1000	ns
$t_f$	Fall time of both SDA and SCL signals			300	ns
<b>SS MUX</b>					
$t_{PD}$	Switch propagation delay See <a href="#">Figure 3</a>			80	ps
$t_{SW\_ON}$	Switching time DIR-to-Switch ON See <a href="#">Figure 2</a>			0.5	$\mu$ s
$t_{SW\_OFF}$	Switching time DIR-to-Switch OFF See <a href="#">Figure 2</a>			0.5	$\mu$ s
$t_{SK\_INTRA}$	Intra-pair output skew See <a href="#">Figure 3</a>			5	ps
$t_{SK\_INTER}$	Inter-pair output skew See <a href="#">Figure 3</a>			20	ps



**Figure 1. Test Setup**



**Figure 2. Switch On and Off Timing Diagram**



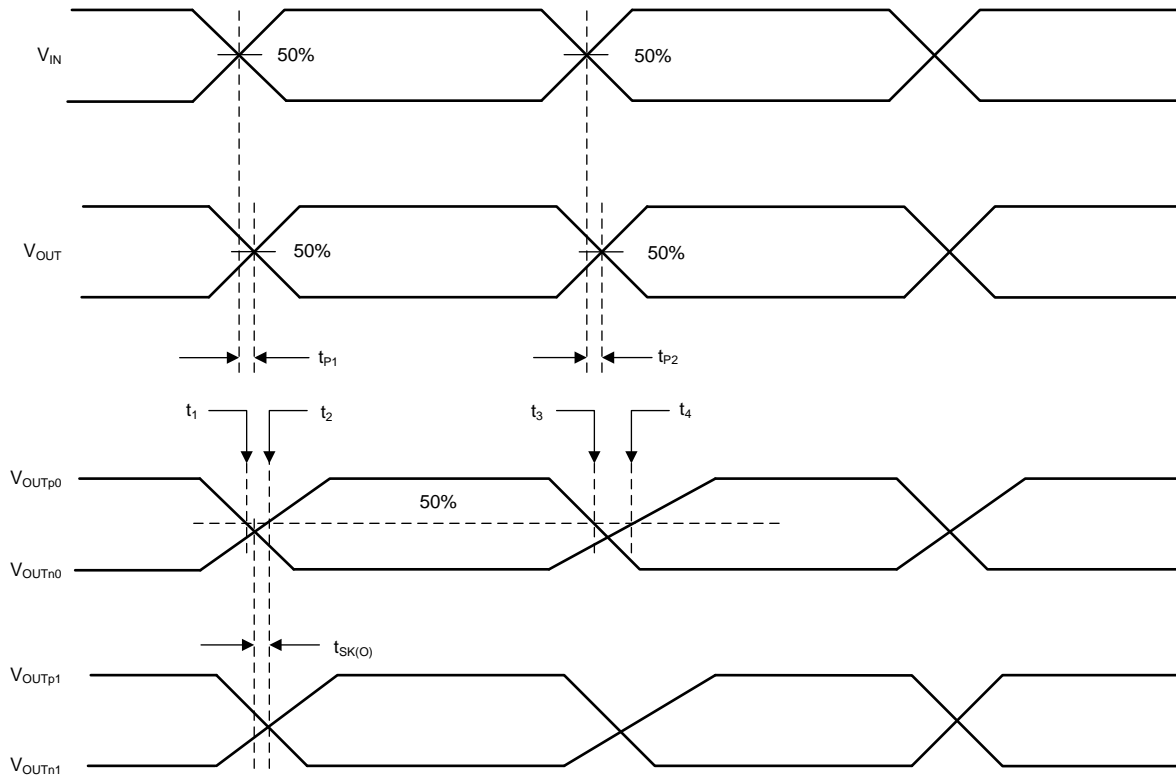


Figure 3. Timing Diagrams and Test Setup

## 7 Detailed Description

### 7.1 Overview

The USB Type-C ecosystem operates around a small form factor connector and cable that is flippable and reversible. Due to the nature of the connector, a scheme is needed to determine the connector orientation. Additional schemes are needed to determine when a USB port is attached, determine the acting role of the USB port (DFP, UFP, DRP), and communicate Type-C current capabilities. These schemes are implemented over the CC pins according to the USB Type-C specifications. The HD3SS3220 provides Configuration Channel (CC) logic for determining USB port attach/detach, role detection, cable orientation, and Type-C current mode. The HD3SS3220 also contains several features such as VCONN sourcing, audio and debug accessory modes, Try.SRC and Try.SNK DRP configurations which make this device ideal for source, sink or dual role applications with USB 2.0 or USB 3.1.

HD3SS3220 has integrated USB 3.0/3.1 SS/SS+ MUX with 2 channel 2:1 switching required to handle cable flips. The CC controller determines the orientation of the cable and controls the MUX selection. The device also provides this orientation signal as a GPIO signal DIR that can be used in the system for increased flexibility and features.

#### 7.1.1 Cables, Adapters, and Direct Connect Devices

Type-C Specification defines several cables, plugs and receptacles to be used to attach ports. The HD3SS3220 supports all cables, receptacles, and plugs. The HD3SS3220 device does not support any USB feature which requires USB Power Delivery (PD) communications over CC lines, such as e-marking or alternate mode.

##### 7.1.1.1 USB Type-C receptacles and Plugs

The following is a list of Type-C receptacles and plugs supported by the HD3SS3220 device:

- USB Type-C receptacle for USB2.0 and USB3.1 and full-featured platforms and devices
- USB Full-Featured Type-C plug
- USB2.0 Type-C Plug

##### 7.1.1.2 USB Type-C Cables

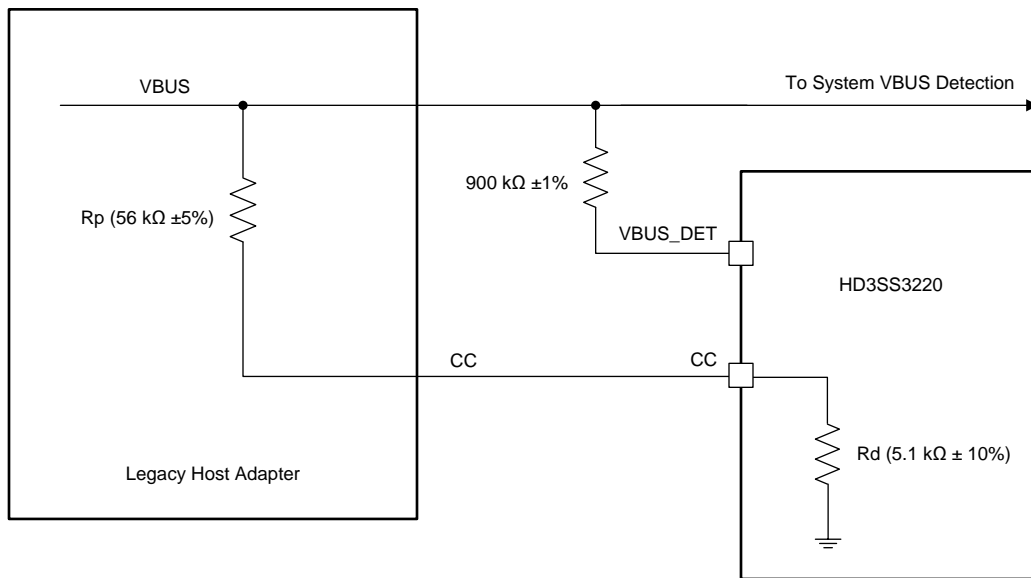
The following is a list of Type-C cables supported by the HD3SS3220 device:

- USB Full-featured Type-C cable with USB3.1 full featured plug
- USB2.0 Type-C cable with USB2.0 plug
- Captive cable with either a USB Full featured plug or USB2.0 plug

##### 7.1.1.3 Legacy Cables and Adapters

The HD3SS3220 supports legacy cable adapters as defined by the Type-C specifications. The cable adapter must correspond to the mode configuration of the HD3SS3220 device.

Overview (continued)



Copyright © 2016, Texas Instruments Incorporated

Figure 4. Legacy Adapter Implementation Circuit

7.1.1.4 Direct Connect Device

HD3SS3220 supports the attaching and detaching of a direct connect device such as cradle dock.

7.1.1.5 Audio Adapters

Additionally, HD3SS3220 supports audio adapters for audio accessory mode, including:

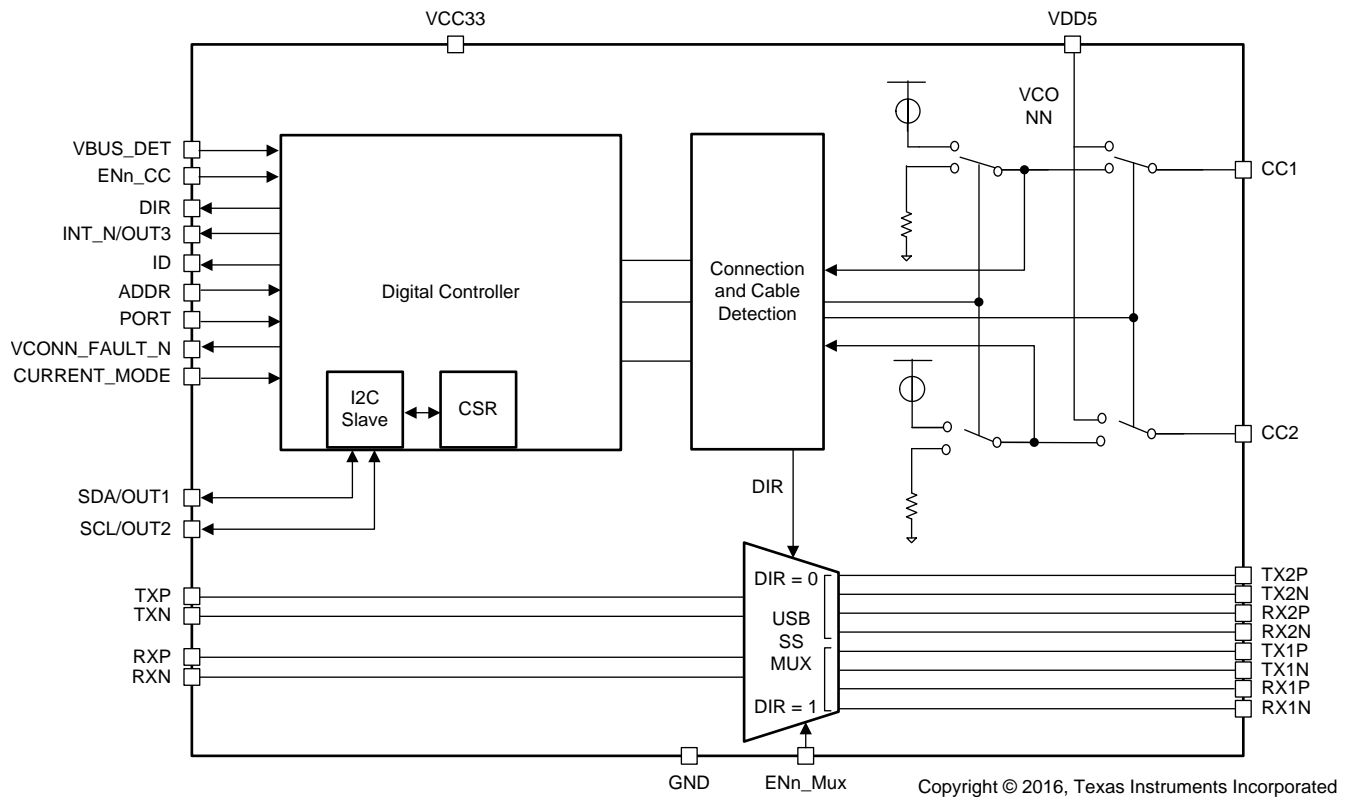
- Passive Audio Adapter
- Charge Through Audio Adapter

**HD3SS3220**

ZHCSFC4A – DECEMBER 2015 – REVISED AUGUST 2016

www.ti.com.cn

**7.2 Functional Block Diagram**



### 7.3 Feature Description

The HD3SS3220 can be configured as a DFP, UFP, or DRP using the 3-level PORT pin. The PORT pin should be strapped high to VDD5 using a pull-up resistance to achieve DFP mode, low to GND for UFP mode or left floating for DRP mode on the PCB. This flexibility allows the HD3SS3220 to be used in a variety of applications. The HD3SS3220 samples the PORT pin after reset and maintains the desired mode until the HD3SS3220 is reset again. It shall be static. Table 1 shows the supported features in each mode.

**Table 1. Supported Features for HD3SS3220 by Mode**

PORT PIN	High	Low	NC
Supported Features	DFP Only	UFP Only	DRP
Port Attach/Detach	√	√	√
Cable Orientation	√	√	√
Current Advertisement	√		√(DFP)
Current Detection		√	√(UFP)
Audio Accessory	√	√	√
Debug Accessory Modes	√	√	√
Active Cable Detection	√		√(DFP)
Try.SRC			√
Try.SNK			√
I2C/GPIO	√	√	√
Legacy Cables	√	√	√
VBUS Detection		√	√(UFP)
VCONN	√		√(DFP)
USB 3.1 G1 and G2 SS mux	√	√	√
Adaptive common mode tracking for SS channels	√	√	√

#### 7.3.1 DFP/Source – Downstream Facing Port

The HD3SS3220 can be configured as a DFP only by pulling the PORT pin high through a resistance to VDD. The HD3SS3220 device can also be configured as a DFP-only device by changing the MODE\_SELECT register default setting with PORT pin left floating. In DFP mode, the HD3SS3220 constantly presents  $R_{(p)}$  on both CC lines. In this mode, the HD3SS3220 will initially advertise default USB Type-C current. The Type-C current can be adjusted through CURRENT\_MODE pin or I<sup>2</sup>C if the system wishes to increase the current advertisement. The HD3SS3220 will adjust the  $R_{(p)}$  resistors to match the desired advertisement.

A DFP monitors the voltage level on the CC pins looking for the  $R_{(d)}$  termination of a UFP. When a UFP is detected and HD3SS3220 is in the attached. SRC state, the HD3SS3220 pulls the ID pin low to indicate to the system the port is attached to a device (UFP). Additionally, when a UFP is detected, the HD3SS3220 supplies VCONN on the unconnected CC pin if  $R_{(a)}$  is also detected.

The following list describes the steps for enabling DFP through I<sup>2</sup>C:

1. Write a 1'b1 to DISABLE\_TERM register (address 0x0A bit 0)
2. Write a 2'b10 to MODE\_SELECT register (address 0x0A bits 5:4)
3. Write a 1'b0 to DISABLE\_TERM register (address 0x0A bit 0)

When configured as a DFP, the HD3SS3220 can operate with older USB Type-C 1.0 devices except for a USB Type-C 1.0 DRP device. The HD3SS3220 cannot operate with a USB Type-C 1.0 DRP device. This limitation is a result of a backwards compatibility problem between USB Type-C 1.1 DFP and a USB Type-C 1.0 DRP.

#### 7.3.2 UFP/Sink – Upstream Facing Port

The HD3SS3220 can be configured as a UFP only by pulling the PORT pin low to GND. In UFP mode, the HD3SS3220 constantly presents  $R_d$  (pull-down resistors) on both CC pins.

In UFP mode, the HD3SS3220 monitors the voltage level at the CC pins for attachment of a DFP and also to determine Type-C current advertisement by the connected DFP. The HD3SS3220 will debounce the CC pins and wait for VBUS detection before successful attachment. As a UFP, the HD3SS3220 will detect and communicate the DFP's advertised current level to the system through the OUT1 and OUT2 pins if in GPIO mode or through the I2C CURRENT\_MODE\_DETECT register once in the Attached.SNK state.

The following list describes the steps for enabling DFP through I<sup>2</sup>C:

1. Write a 1'b1 to DISABLE\_TERM register (address 0x0A bit 0)
2. Write a 2'b10 to MODE\_SELECT register (address 0x0A bits 5:4)
3. Write a 1'b0 to DISABLE\_TERM register (address 0x0A bit 0)

### 7.3.3 DRP – Dual Role Port

The HD3SS3220 can be configured to operate as DRP when the PORT pin is left floating on the PCB. In DRP mode, the HD3SS3220 toggles between presenting as a DFP (Rp on both CC pins) and presenting as a UFP (Rd on both CC pins according to USB Type-C specification).

When presenting as a DFP, the HD3SS3220 monitors the voltage level on the CC pins looking for the R<sub>(d)</sub> termination of a UFP. When a UFP is detected and HD3SS3220 is in the attached.SRC state, the HD3SS3220 pulls the ID pin low to indicate to the system the port is attached to a sink (UFP). Additionally, when a UFP is detected, the HD3SS3220 supplies VCONN on the unconnected CC pin if Ra is also detected. In DFP mode, the HD3SS3220 will initially advertise default USB Type-C current. The Type-C current can be adjusted through I<sup>2</sup>C if the system wishes to increase the amount advertised. HD3SS3220 will adjust the R<sub>(p)</sub> resistors to match the desired Type-C current advertisement.

When presenting as a UFP, the HD3SS3220 monitors the CC pins for the voltage level corresponding to the Type-C current advertisement by the connected DFP. The HD3SS3220 will debounce the CC pins and wait for VBUS detection before successfully attaching. As a UFP, the HD3SS3220 detects and communicate the DFP advertised current level to the system through the OUT1 and OUT2 pins if in GPIO mode or through the I2C CURRENT\_MODE\_DETECT register once in the attached.SNK state.

The HD3SS3220 supports two optional Type-C DRP features called Try.SRC and Try.SNK. Products supporting dual-role functionality may have a requirement to be a source (DFP) or a sink (UFP) when connected to another dual-role capable product. For example, a dual-role capable notebook can be used as a source when connected to a tablet, or a cell phone could be a sink when connected to a notebook or tablet. When standard DRP products (products which don't support either Try.SRC or Try.SNK) are connected together, the role (UFP or DFP) outcome is not predetermined. These two optional DRP features provide a means for dual-role capable products to connect to another dual-role capable product in the role desired. Try.SRC and Try.SNK are only available when HD3SS3220 is configured in I<sup>2</sup>C mode. When operating in GPIO mode, the HD3SS3220 will always operate as a standard DRP.

The Try.SRC feature of the HD3SS3220 device provides a means for a DRP product to connect as a DFP when connected to another DRP product that doesn't implement Try.SRC. When two products which implement Try.SRC are connected together, the role outcome of either UFP or DFP is the same as a standard DRP. Try.SRC is enabled by changing I<sup>2</sup>C register SOURCE\_PREF to 2'b11. Once the register is changed to 2'b11, the HD3SS3220 will always attempt to connect as a DFP when attached to another DRP capable device.

### 7.3.4 Cable Orientation and Mux Control

The HD3SS3220 detects the cable orientation by monitoring the voltage on the CC pins. When a voltage level within the proper threshold is detected on CC1, the DIR pin is pulled low. When a voltage level within the proper threshold is detected on CC2, the DIR is high. The DIR pin is an open drain output and a pull-up resistor must be installed. The cable orientation status is also be communicated by I<sup>2</sup>C for HD3SS3220. The device also controls the integrated SS mux to switch appropriate SS signals pairs (RX1/TX1 or RX2/TX2).

### 7.3.5 Type-C Current Mode

Once a valid cable detection and attach have been completed, the DFP has the option to advertise the level of Type-C current a UFP can sink. The default current advertisement for HD3SS3220 can be configured using CURRENT\_MODE pin or I2C CURRENT\_MODE\_ADVERTISE register. When a different than default current is chosen, the device adjusts the R<sub>(p)</sub> resistors for the specified current level.

**Table 2. Type-C Current Advertisement for GPIO and I<sup>2</sup>C Modes**

Type-C Current	GPIO Mode (ADDR pin NC)		I <sup>2</sup> C Mode (ADDR pin H, L)	
	UFP (PORT pin L)	DFP (PORT pin H)	UFP	DFP
Default – 500mA for (USB2.0) 900 mA for (USB3.1)	Detected current mode provided through OUT1/OUT2	CURRENT_MODE=L	Detected current mode provided through I <sup>2</sup> C register	Advertisement selected through writing I <sup>2</sup> C register
Mid – 1.5 A		CURRENT_MODE=M		
High – 3 A		CURRENT_MODE=H		

### 7.3.6 Accessory Support

HD3SS3220 supports audio and debug accessories in UFP, DFP and DRP mode. Audio and debug accessory support is provided through reading of I2C registers. Audio accessory is also support through GPIO mode with INT\_N/OUT3 pin (audio accessory has been detected when INT\_N/OUT3 is low).

### 7.3.7 Audio Accessory

Audio accessory mode is supported through two types of adapters. First, the passive audio adapter can be used to convert the Type-C connector into an audio port. In order to effectively detect the passive audio adapter, the HD3SS3220 must detect a resistance  $< R_{(a)}$  on both the CC pins.

Secondly, a charge through audio adapter can be used. The primary difference between a passive and charge through adapter is that the charge through adapter supports supplying 500 mA of current over VBUS. The charge through adapter contains a receptacle and a plug. The plug shall act as a DFP and supply VBUS when it sees it's connected.

When HD3SS3220 is configured in GPIO mode, OUT3 pin shall be used to determine if an Audio Accessory is connected. When an Audio Accessory is detected, the OUT3 pin is pulled low.

### 7.3.8 Debug Accessory

Debug is an additional state supported by USB Type-C. The specification does not define a specific user scenario for this state, but the end user could use debug accessory mode to enter a test state for production specific to the application. Charge through debug accessory is not supported by HD3SS3220 when in DRP or UFP mode. The HD3SS3220 when configured as a DFP-only or as a DRP acting as a DFP detects a debug accessory which presents  $R_{(d)}$  on both CC1 and CC2 pins. The HD3SS3220 sets ACCESSORY\_CONNECTED register to 3'b110 to indicate a UFP debug accessory. The HD3SS3220 when configured as a UFP-only or as a DRP acting as a UFP detects a debug accessory which presents  $R_{(p)}$  on both CC1 and CC2 pins. The HD3SS3220 sets ACCESSORY\_CONNECTED register to 3b'111 to indicate a DFP debug accessory.

### 7.3.9 VCONN support for Active Cables

The HD3SS3220 supplies VCONN to active cables when configured in DFP mode or DRP acting as a DFP. VCONN is provided only when it is determined that the unconnected CC pin is terminated to a resistance,  $R_{(a)}$ , and after a UFP is detected and the attached. SRC state is entered. VCONN is supplied from VDD5 through a low resistance power FET out to the unconnected CC pin. VCONN is removed when a detach event is detected and the active cable is removed.

HD3SS3220 provides a current limiting function which will disconnect VCONN when the current being drawn from a device is above the max allowed for VCONN. When a VCONN fault has occurred, the VCONN flag in the I<sup>2</sup>C register is set and HD3SS3220 stops supplying VCONN (switch turns off), until the register flag has been cleared. If HD3SS3220 is in GPIO mode when a fault occurs, the VCONN switch is turned off and HD3SS3220 will not supply VCONN until a port detach and re-attach occurs.

### 7.3.10 I<sup>2</sup>C and GPIO Control

The HD3SS3220 can be configured for I<sup>2</sup>C or GPIO using the ADDR pin. The ADDR pin is a 3-level control pin. When the ADDR pin is left floating (NC), the HD3SS3220 is in GPIO mode. When the ADDR pin is pulled High, the HD3SS3220 is in I<sup>2</sup>C mode with address bit 6 equal to 1. When the ADDR pin is pulled low, the HD3SS3220 is in I<sup>2</sup>C mode with address bit 6 equal to 0.

All outputs for HD3SS3220 are open drain configuration.

The OUT1 and OUT2 pins are used to output the Type-C current mode when in GPIO mode. Additionally, the OUT3 pin is used to communicate the Audio Accessory mode in GPIO mode. The specifics of the output pins can be found in [Table 3](#).

**Table 3. Simplified Operation for OUT1 and OUT2**

OUT1	OUT2	ADVERTISEMENT
H	H	Default
H	L	Default
L	H	Medium
L	L	High

When operating in I<sup>2</sup>C mode, HD3SS3220 uses the SCL and SDA lines for clock and data and the INT pin. The INT pin communicates an interrupt, or a change in I<sup>2</sup>C registers, to the system. The INT pin will be pulled low when the HD3SS3220 updates the registers with new information. The INT\_N pin is open drain. The INTERRUPT\_STATUS register should be set when the INT pin is pulled low. The customer shall write to I<sup>2</sup>C to clear the INTERRUPT\_STATUS register.

When operating in GPIO mode, the OUT3 pin is used in place of INT pin to determine if an Audio Accessory has been detected and attached. The OUT3 pin is pulled low when an Audio Accessory is detected.

---

**NOTE**

When using the 3.3-V supply for I<sup>2</sup>C pull-up, the customer must ensure that the VDD is 3 V and above. Otherwise, the I<sup>2</sup>C may back power the device.

---

**7.3.11 HD3SS3220 V<sub>(BUS)</sub> Detection**

The HD3SS3220 device supports VBUS detection according to the Type-C Specification. VBUS detection is used to determine the attachment and detachment of a UFP and to determine the entering and exiting of accessory modes. VBUS detection is also used to successfully resolve the role in DRP mode. The system VBUS voltage must be routed through a 900-kΩ resistor to the VBUS\_DET pin on the HD3SS3220 device.

**7.4 Device Functional Modes**

The HD3SS3220 has four functional modes. [Table 4](#) lists these modes:

**Table 4. USB Type-C States according to HD3SS3220 Functional Modes**

MODES	GENERAL BEHAVIOR	MODE	STATES <sup>(1)</sup>
Unattached	USB port unattached. ID, PORT operational. I <sup>2</sup> C on.	UFP-Only	Unattached.SNK
			AttachWait.SNK
		DFP	Toggle Unattached.SNK → Unattached.SRC
			AttachedWait.SRC or AttachedWait.SNK
		DFP-Only	Unattached.SRC
			AttachWait.SRC
Active	USB port attached. All GPIOs operational. I <sup>2</sup> C on.	UFP-Only	Attached.SNK
			Audio Accessory
			Debug Accessory
		DRP	Attached.SNK
			Attached.SRC
			Audio accessory
			Debug accessory
		DFP-Only	Attached.SRC
			Audio accessory
			Attached.SRC
			Audio accessory
			Debug accessory

(1) (1) Required; not in sequential order



## Device Functional Modes (continued)

**Table 4. USB Type-C States according to HD3SS3220 Functional Modes (continued)**

MODES	GENERAL BEHAVIOR	MODE	STATES <sup>(1)</sup>
Dead battery	No operation. VDD5 not available.	DRP	Default device state to UFP/SNK with $R_{(d)}$ .
Shutdown	No operation. VDD5 available and EN <sub>N</sub> _CC pin is high	DRP	Default device state to UFP/SNK with $R_{(d)}$ .

### 7.4.1 Unattached Mode

Unattached mode is the primary mode of operation for the HD3SS3220 since a USB port can be unattached for a lengthy period of time. In Unattached mode, VDD5 is available, and all IOs and I<sup>2</sup>C are operational. VCONN is disabled.

After HD3SS3220 are powered up, the part enters unattached mode until a successful attach has been determined. Initially, right after power up, the HD3SS3220 comes up as an unattached.SNK. The HD3SS3220 checks the PORT pin and operate according to the mode configuration. This means that the HD3SS3220 toggle between UFP and DFP if configured as a DRP

### 7.4.2 Active Mode

Active mode is defined as the port being attached. In active mode, all GPIOs are operational, and I<sup>2</sup>C is read / write (R/W). When in active mode, the HD3SS3220 device communicates to the AP that the USB port is attached. This communication happens through the ID pin if HD3SS3220 is configured as a DFP or DRP connect as source. If HD3SS3220 is configured as a UFP or a DRP connected as a sink, the OUT1/OUT2 and INT\_N/OUT3 pins are used. The HD3SS3220 device exits active mode under the following conditions:

- Cable unplug
- VBUS removal if attached as a UFP
- Dead battery; system battery or supply is removed
- EN\_N is floated or pulled high

### 7.4.3 Dead Battery

During Dead battery mode VDD5 is not available. CC pins always default to pull down resistors in dead battery mode. Dead battery mode to means:

- HD3SS3220 in UFP with  $5.1\text{ k}\Omega \pm 20\% R_{(d)}$ ; cable connected and providing charge.
- HD3SS3220 in UFP with  $5.1\text{ k}\Omega \pm 20\% R_{(d)}$ ; nothing connected (application could be off or have a discharged battery)

#### NOTE

When VDD5 is off, the HD3SS3220 non-failsafe pins (DIR, VBUS\_DET, ADDR, OUT[3:1] pins) could back-drive the HD3SS3220 device if not handled properly. When necessary to pull these pins up, it is recommended to pullup DIR, ADDR, and INT\_N/OUT3 to the device's VDD5 supply. The VBUS\_DET must be pulled up to VBUS through a 900-k $\Omega$  resistor.

### 7.4.4 Shutdown Mode

Shutdown mode for HD3SS3220 is defined as follows:

- Supply voltage available and EN\_N pin is high or floating.
- EN\_N pin has internal pullup resistor
- The HD3SS3220 device is off, but still maintains the  $R_{(d)}$  on the CC pins.

## 7.5 Programming

For further programmability, the HD3SS3220 can be controlled using I<sup>2</sup>C. The HD3SS3220 local I<sup>2</sup>C interface is available for reading/writing after x clock cycles when the device is powered up. The SCL and SDA terminals are used for I<sup>2</sup>C clock and I<sup>2</sup>C data respectively. If I<sup>2</sup>C is the preferred method of control, the ADDR pin must be set accordingly.

**Table 5. HD3SS3220 I<sup>2</sup>C Target Address**

ADDR pin	Bit 7 (MSB)	Bit 6	Bit 5	Bit 4	Bit 3	Bit 2	Bit 1	Bit 0 (W/R)
H	1	1	0	0	1	1	1	0/1
L	1	0	0	0	1	1	1	0/1

The following procedure should be followed to write to HD3SS3220 I<sup>2</sup>C registers:

1. The master initiates a write operation by generating a start condition (S), followed by the HD3SS3220 7-bit address and a zero-value R/W bit to indicate a write cycle.
2. The HD3SS3220 device acknowledges the address cycle.
3. The master presents the sub-address (I<sup>2</sup>C register within the HD3SS3220 device) to be written, consisting of one byte of data, MSB-first.
4. The HD3SS3220 device acknowledges the sub-address cycle.
5. The master presents the first byte of data to be written to the I<sup>2</sup>C register.
6. The HD3SS3220 device acknowledges the byte transfer.
7. The master can continue presenting additional bytes of data to be written, with each byte transfer completing with an acknowledge from the HD3SS3220 device.
8. The master terminates the write operation by generating a stop condition (P).

The following procedure should be followed to read the HD3SS3220 I<sup>2</sup>C registers:

1. The master initiates a read operation by generating a start condition (S), followed by the HD3SS3220 7-bit address and a one-value R/W bit to indicate a read cycle.
2. The HD3SS3220 device acknowledges the address cycle.
3. The HD3SS3220 device transmits the contents of the memory registers MSB-first starting at register 00h or last read sub-address+1. If a write to the I<sup>2</sup>C register occurred prior to the read, then the HD3SS3220 device starts at the sub-address specified in the write.
4. The HD3SS3220 device waits for either an acknowledge (ACK) or a not-acknowledge (NACK) from the master after each byte transfer; the I<sup>2</sup>C master acknowledges reception of each data byte transfer.
5. If an ACK is received, the HD3SS3220 device transmits the next byte of data.
6. The master terminates the read operation by generating a stop condition (P).

The following procedure should be followed for setting a starting sub-address for I<sup>2</sup>C reads:

1. The master initiates a write operation by generating a start condition (S), followed by the HD3SS3220 7-bit address and a zero-value R/W bit to indicate a read cycle.
2. The HD3SS3220 device acknowledges the address cycle.
3. The master presents the sub-address (I<sup>2</sup>C register within the HD3SS3220 device) to be read, consisting of one byte of data, MSB-first.
4. The HD3SS3220 device acknowledges the sub-address cycle.
5. The master terminates the read operation by generating a stop condition (P).

### NOTE

If no sub-addressing is included for the read procedure, then the reads start at register offset 00h and continue byte-by-byte through the registers until the I<sup>2</sup>C master terminates the read operation. If a I<sup>2</sup>C address write occurred prior to the read, then the reads start at the sub-address specified by the address write.

## 7.6 Register Maps

**Table 6. CSR Registers**

OFFSET	RESET	REGISTER NAME	SECTION
0x07 through 0x00	[0x00, 0x54, 0x55, 0x53, 0x42, 0x33, 0x32, 0x32]	Device Identification	Device Identification Register
0x08	0x00	Connection Status	Connection Status Register
0x09	0x20	Connection Status and Control	Connection Status and Control Register
0x0A	0x00	General Control	General Control Register
0xA0	0x02	Device Revision	Device Revision Register

### 7.6.1 Device Identification Register (offset = 0x07 through 0x00) [reset = 0x00, 0x54, 0x55, 0x53, 0x42, 0x33, 0x32, 0x32]

**Figure 5. Device Identification Register**

7	6	5	4	3	2	1	0
DEVICE_ID							
R							

LEGEND: R/W = Read/Write; R = Read only; -n = value after reset

**Table 7. Device Identification Register Field Descriptions**

Bit	Field	Type	Reset	Description
7:0	DEVICE_ID	R	0x00	For the HD3SS3220 device these fields return a string of ASCII characters returning HD3SS3220 addresses: 0x07 - 0x00 = {0x00, 0x54, 0x55, 0x53, 0x42, 0x33, 0x32, 0x32}

**7.6.2 Connection Status Register (offset = 0x08) [reset = 0x00]**
**Figure 6. Connection Status Register**

7	6	5	4	3	2	1	0
CURRENT_MODE_ADVERTISE		CURRENT_MODE_DETECT		ACCESSORY_CONNECTED			ACTIVE_CABLE_DETECTION
R/W		R/U		R/U			R/U

LEGEND: R/W = Read/Write; R = Read only; -n = value after reset, R/U = Read/Update

**Table 8. Connection Status Register Field Descriptions**

Bit	Field	Type	Reset	Description
7:6	CURRENT_MODE_ADVERTISE	R/W	2'b00	These bits are programmed by the application to raise the current advertisement from Default. 00 – Default (500mA/900mA) Initial value at startup 01 – Mid (1.5A) 10 – High (3A) 11 – Reserved
5:4	CURRENT_MODE_DETECT	R/U	2'b00	These bits are set when a UFP determines the Type-C current mode. 00 – Default (value at start up) 01 – Medium 10 – Charge Through Accessory – 500mA 11 – High
3:1	ACCESSORY_CONNECTED	R/U	3'b000	These bits are read by the application to determine if an accessory was attached. 000 – No Accessory attached (Default) 001 – Reserved 010 – Reserved 011 – Reserved 100 – Audio Accessory 101 – Charged Thru Audio Accessory 110 – Debug Accessory when HD3SS3220 is connected as a DFP 111 – Debug accessory when HD3SS3220 is connected as a UFP
0	ACTIVE_CABLE_DETECTION	R/U	1'b0	This flag indicates that an active cable has been plugged into the Type-C connector 0 – No active cable 1 – Active Cable Attach

**7.6.3 Connection Status and Control Register (offset = 0x09) [reset = 0x20]**
**Figure 7. Connection Status and Control Register**

7	6	5	4	3	2	1	0
ATTACHED_STATE		CABLE_DIR	INTERRUPT_STATUS	VCONN_FAULT		DRP_DUTY_CYCLE	DISABLE_UFP_ACCESSORY
R/U		R/U	R/U	R/U		R/W	R/W

LEGEND: R/W = Read/Write; R = Read only; -n = value after reset, R/U = Read/Update

**Table 9. Connection Status Register Field Descriptions**

Bit	Field	Type	Reset	Description
7:6	ATTACHED_STATE	R/U	2'b00	This is an additional method to communicate attach other than the ID pin. These bits can be read by the application to determine what was attached. 00 – Not Attached (Default) 01 – Attached.SRC (DFP) 10 – Attached.SNK (UFP) 11 – Attached to an Accessory
5	CABLE_DIR	R/U	1'b0	Cable orientation. The application can read these bits for cable orientation information. 0 – CC2 1 – CC1 (Default)
4	INTERRUPT_STATUS	R/U	1'b0	The INT pin will be pulled low whenever a CSR changes. When a CSR change has occurred this bit should be held at 1 until the application clears the bit. 0 – Clear 1 – Interrupt (When INT pulled low, this bit must be 1. This bit will be 1 whenever any CSR have been changed)
3	VCONN_FAULT	R/U	1'b0	Bit is set whenever VCONN overcurrent limit is triggered. 0 – Clear 1 – VCONN fault is detected
2:1	DRP_DUTY_CYCLE	R/W	2'b00	Percentage of time that a DRP shall advertise DFP during $t_{DRP}$ 00 – 30% default 01 – 40% 10 – 50% 11 – 60%
0	DISABLE_UFP_ACCESSORY	R/W	1'b0	Setting this field will disable UFP accessory support 0 – UFP accessory support enabled (Default) 1 – UFP accessory support disabled

**7.6.4 General Control Register (offset = 0x0A) [reset = 0x00]**
**Figure 8. General Control Register**

7	6	5	4	3	2	1	0
DEBOUNCE		MODE_SELECT		I2C_SOFT_RESET	SOURCE_PREF		DISABLE_TERM
R/W		R/W		R/U	R/W		R/W

LEGEND: R/W = Read/Write; R = Read only; -n = value after reset

**Table 10. General Control Register Field Descriptions**

Bit	Field	Type	Reset	Description
7:6	DEBOUNCE	R/W	2'b00	The nominal amount of time the HD3SS3220 debounces the voltages on the CC pins. 00 – 168 ms (Default) 01 – 118 ms 10 – 134 ms 11 – 152 ms
5:4	MODE_SELECT	R/W	2'b00	This register can be written to set the HD3SS3220 mode operation. The ADDR pin must be set to I <sup>2</sup> C mode. If the default is maintained, HD3SS3220 shall operate according to the PORT pin levels and modes. The MODE_SELECT can only be changed when in the unattached state. 00 – DRP mode (start from unattached.SNK) (default) 01 – UFP mode (unattached.SNK) 10 – DFP mode (unattached.SRC) 11 – DRP mode (start from unattached.SNK)
3	I2C_SOFT_RESET	R/U	1'b0	This register resets the digital logic. The bit is self-clearing. A write of 1 starts the reset. The following registers can be affected after setting this bit: CURRENT_MODE_DETECT ACTIVE_CABLE_DETECTION ACCESSORY_CONNECTED ATTACHED_STATE CABLE_DIR
2:1	SOURCE_PREF	R/W	2'b00	This field controls the TUSB3221 behavior when configured as a DRP. 00 – Standard DRP (default) 01 – DRP performs Try.SNK 10 – Reserved 11 – DRP performs Try.SRC
0	DISABLE_TERM	R/W	1'b0	This field disables the termination on CC pins and transition the CC state machine to the disabled state. 0 – Termination enabled according TUSB3221 mode of operation (default) 1 – Termination disabled and state machine held in disable state

**7.6.5 Device Revision Register (offset = 0xA0) [reset = 0x02]**
**Figure 9. Device Revision Register**

7	6	5	4	3	2	1	0
REVISION							
R							

LEGEND: R/W = Read/Write; R = Read only; -n = value after reset

**Table 11. Device Revision Register Field Descriptions**

Bit	Field	Type	Reset	Description
7:0	REVISION	R	'h02	Revision of HD3SS3220. Defaults to 0x02

## 8 Application and Implementation

---

### NOTE

Information in the following applications sections is not part of the TI component specification, and TI does not warrant its accuracy or completeness. TI's customers are responsible for determining suitability of components for their purposes. Customers should validate and test their design implementation to confirm system functionality.

---

### 8.1 Application Information

HD3SS3220 can be used to design USB Type-C systems implementing DRP, DFP and UFP port for applications requiring USB SuperSpeed or SuperSpeedPlus. The device supports native USB-C power handshake for power negotiation up to 15 W. HD3SS3220 can advertise 900 mA, 1.5 A and 3 A current capability as DFP (provider) and detect these settings as UFP (consumer).

Use of I<sup>2</sup>C is optional but strongly encouraged and provides additional control of the device and status of the USB-C interface resulting robust and flexible system implementation. A constant I<sup>2</sup>C polling is not required and device provides an interrupt signal for servicing microprocessor.

HD3SS3220 mux channels have independent adaptive common mode tracking allowing RX and TX paths to have different common mode voltage simplifying system implementation and avoiding inter-op issues.

Layout for SS signals to USB-C connector needs to be adjusted based on receptacle type.

---

### NOTE

HD3SS3220 mux does not provide common mode biasing for the channel. Therefore it is required that the device is biased from either side for all active channels. Also note that mux channels are for differential SS signals only.

If power support larger than 15W is required USBPD function is needed and not supported by this device. If split data/power role is desired such as USB host but power consumer or USB device but power provider, an USBPD function is needed as well.

---

## 8.2 Typical Application, DRP Port

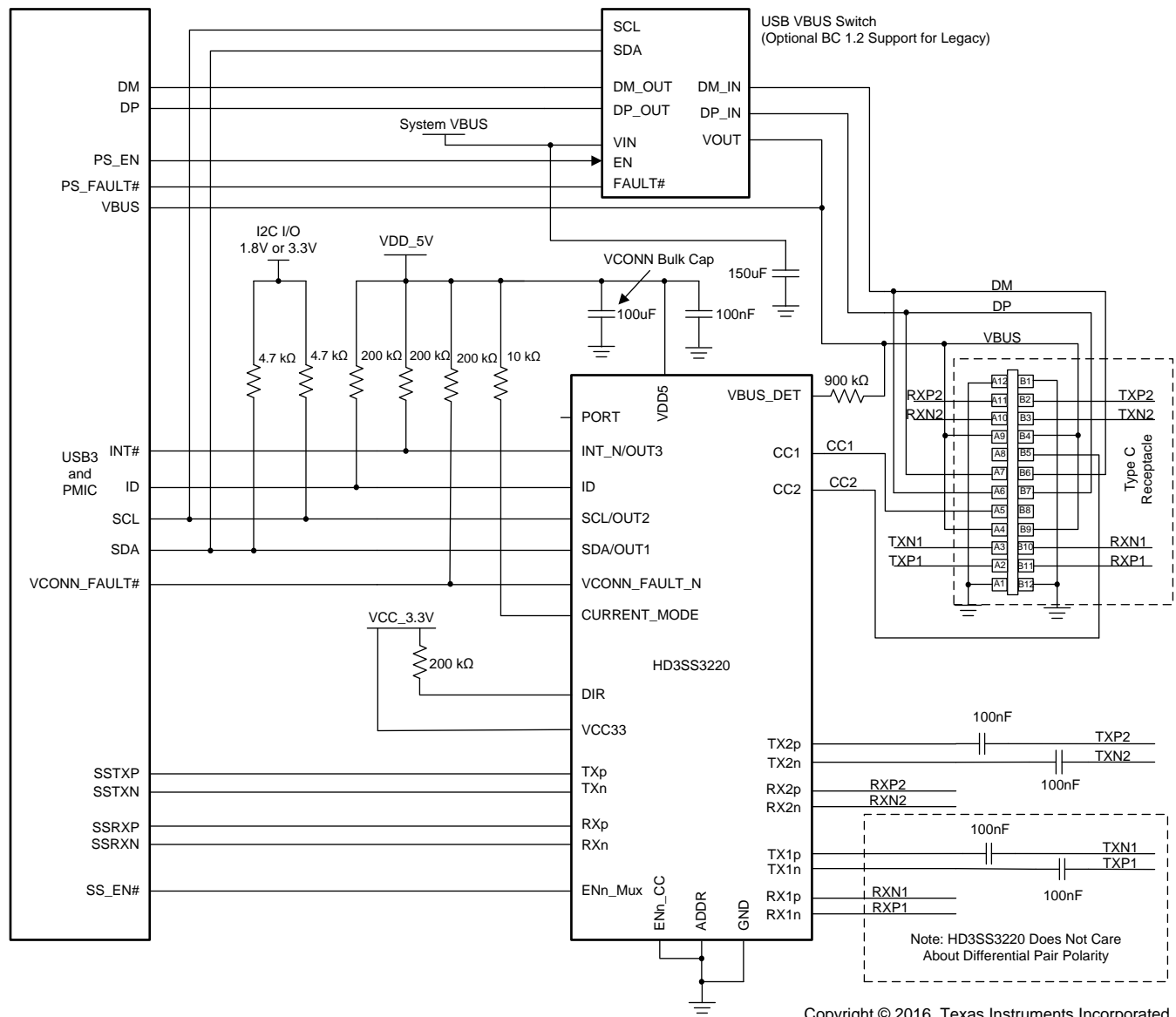


Figure 10. DRP Application Using HD3SS3220DRP



## Typical Application, DRP Port (continued)

### 8.2.1 Design Requirements

For this design example, use the parameters shown in [Table 12](#).

**Table 12. Design Parameters, DRP Port**

PARAMETER	EXAMPLE	COMMENTS
VDD5	5.25 V	VDD5 is used to provide VCONN power to CC pins. Value of this supply should be $\geq 5$ V to keep VCONN $\geq 4.75$ V.
System_VBUS	5.25 V	VDD5 and System_VBUS can be shorted together; however careful consideration is needed to maintain desired VBUS and VCONN for the Type-C port.
I <sup>2</sup> C I/O Supply	3.3 V	1.8 V is also an option. When using the 3.3-V supply, the customer must ensure that the VDD is 3 V and above. Otherwise the I <sup>2</sup> C may back power the device
VCC33	3.3 V	3-3.6 V range allowed.
AC Coupling Capacitors for SS signals	100 nF	75-200 nF range allowed. For TX pairs only, RX pairs will be biased by host Receiver. Note that HD3SS3220 requires a common mode biasing of 0-2 V. If host receiver has bias voltage outside this range, appropriate additional ac coupling caps and biasing of HD3SS3220 RX pairs needed.
Pull-up Resistors: DIR, ID, INT_N, VCONN_FAULT_N	200 K	Smaller values can be used, but leakage needs to be considered for device power budget calculations.
Pull-up Resistors: I <sup>2</sup> C	4.7 K	
Pull-up Resistors: CURRENT_MODE	10 K	Example here is for 3 A. If 1.5 A or 900 mA needed different values are required.
Series resistor: VBUS_DET	900 K	
Decoupling Capacitors: VCONN Bulk	100 $\mu$ F	
Decoupling Capacitors: VBUS Bulk	150 $\mu$ F	As indicated in schematic needs to be switched out when in UFP.

### 8.2.2 Detailed Design Procedure

HD3SS3220 can be used to design a USB Type-C DRP Port. In DRP mode the device alternate itself as DFP and UFP according to USB-C specifications. An example schematic for DRP implementation is illustrated in [Figure 10](#).

HD3SS3220

ZHCSFC4A – DECEMBER 2015 – REVISED AUGUST 2016

www.ti.com.cn

8.2.3 Typical Application, DFP Port

HD3SS3220 can be used to design a USB Type-C DFP Port. An example schematic for DFP implementation is illustrated in Figure 11.

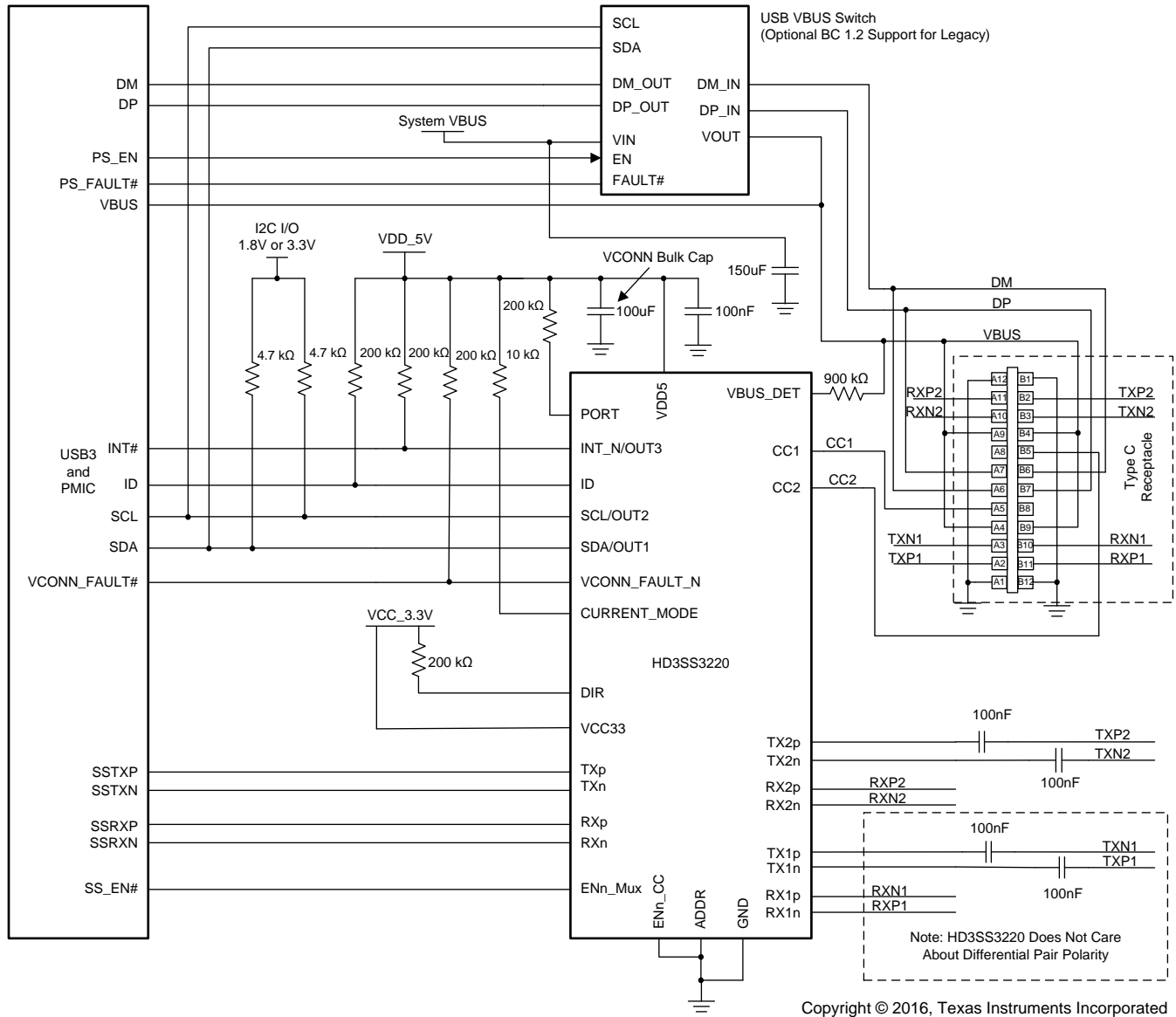


Figure 11. DFP Application Using HD3SS3220DFP

### 8.2.3.1 Design Requirements

For this design example, use the parameters shown in [Table 13](#).

**Table 13. Design Parameters, DFP Port**

PARAMETER	EXAMPLE	COMMENTS
VDD5	5.25 V	VDD5 is used to provide VCONN power to CC pins. Value of this supply should be $\geq 5$ V to keep VCONN $\geq 4.75$ V.
System_VBUS	5.25 V	VDD5 and System_VBUS can be shorted together; however careful consideration is needed to maintain desired VBUS and VCONN for the Type-C port.
I <sup>2</sup> C I/O Supply	3.3 V	1.8 V is also an option. When using the 3.3-V supply, the customer must ensure that the VDD is 3 V and above. Otherwise the I <sup>2</sup> C may back power the device
VCC33	3.3 V	3-3.6 V range allowed.
AC Coupling Capacitors for SS signals	100 nF	75-200 nF range allowed. For TX pairs only, RX pairs will be biased by host Receiver. Note that HD3SS3220 requires a common mode biasing of 0-2 V. If host receiver has bias voltage outside this range, appropriate additional ac coupling caps and biasing of HD3SS3220 RX pairs needed.
Pull-up Resistors: DIR, ID, INT_N, VCONN_FAULT_N	200 K	Smaller values can be used, but leakage needs to be considered for device power budget calculations.
Pull-up Resistors: I <sup>2</sup> C	4.7 K	
Pull-up Resistors: CURRENT_MODE	10 K	Example here is for 3 A. If 1.5 A or 900 mA needed different values are required.
Decoupling Capacitors: VCONN Bulk	100 $\mu$ F	
Decoupling Capacitors: VBUS Bulk	150 $\mu$ F	

### 8.2.3.2 Detailed Design Procedure

HD3SS3220 can be used to design a USB Type-C DFP Port. An example schematic for DFP implementation is illustrated in [Figure 11](#).

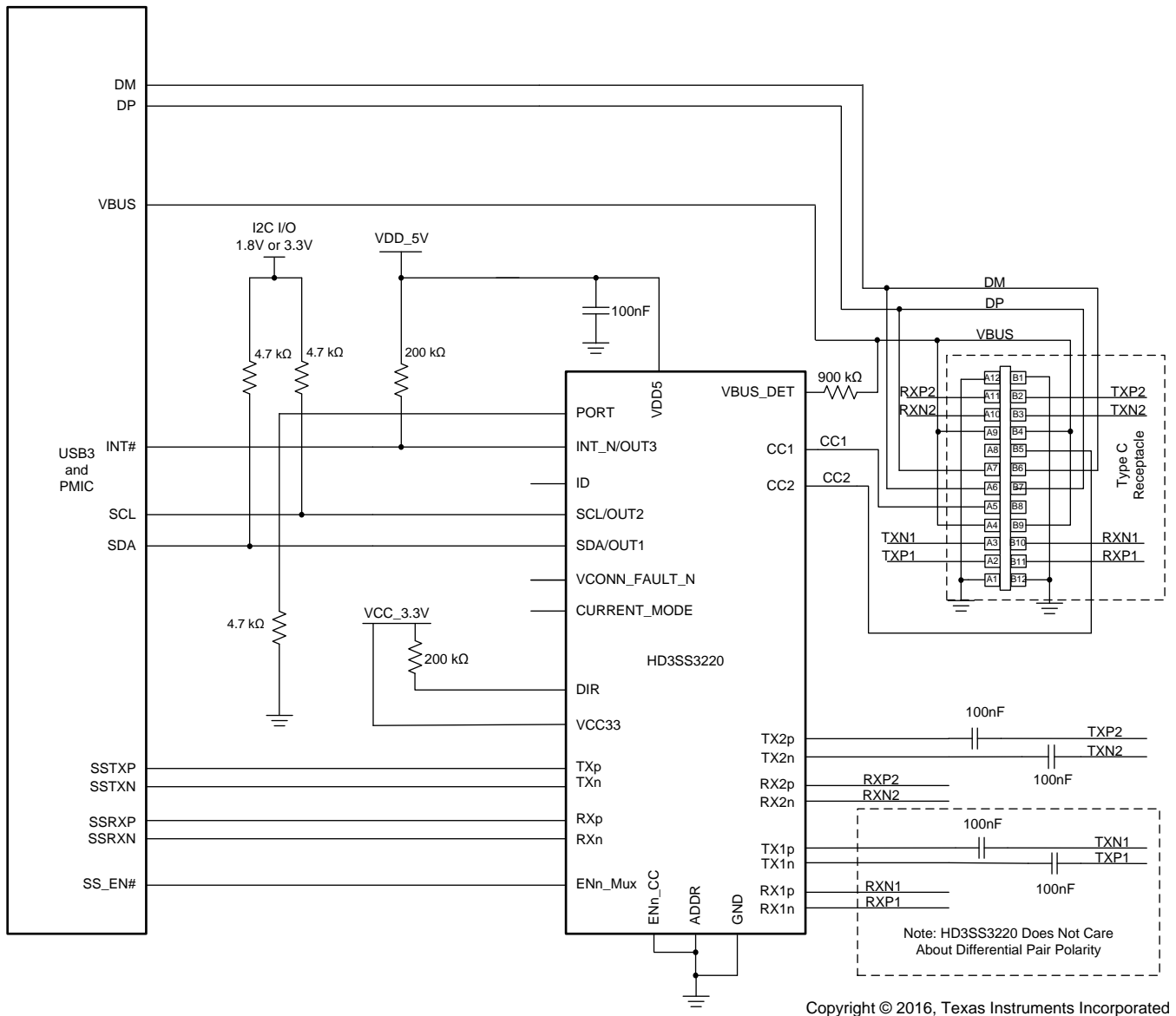
HD3SS3220

ZHCSFC4A – DECEMBER 2015 – REVISED AUGUST 2016

www.ti.com.cn

8.2.4 Typical Application, UFP Port

HD3SS3220 can be used to design a USB Type-C UFP Port. An example schematic for UFP implementation is illustrated in Figure 12.



Copyright © 2016, Texas Instruments Incorporated

Figure 12. UFP Application Using HD3SS3220DFP

### 8.2.4.1 Design Requirements

For this design example, use the parameters shown in [Table 14](#).

**Table 14. Design Parameters, UFP Port**

PARAMETER	EXAMPLE	COMMENTS
VDD5	5 V	VBUS from Type-C port can be used.
I <sup>2</sup> C I/O Supply	3.3 V	1.8 V is also an option. When using the 3.3-V supply, the customer must ensure that the VDD is 3 V and above. Otherwise the I <sup>2</sup> C may back power the device
VCC33	3.3 V	3-3.6 V range allowed.
AC Coupling Capacitors for SS signals	100 nF	75-200 nF range allowed. For TX pairs only, RX pairs will be biased by host Receiver. Note that HD3SS3220 requires a common mode biasing of 0-2 V. If host receiver has bias voltage outside this range, appropriate additional ac coupling caps and biasing of HD3SS3220 RX pairs needed.
Pull-up Resistors: DIR, INT_N	200 K	Smaller values can be used, but leakage needs to be considered for device power budget calculations.
Pull-up Resistors: I <sup>2</sup> C	4.7 K	
Series resistor: VBUS_DET	900 K	

### 8.2.4.2 Detailed Design Procedure

HD3SS3220 can be used to design a USB Type-C DFP Port. An example schematic for UFP implementation is illustrated in [Figure 12](#).

## 9 Power Supply Recommendations

HD3SS3220 has 4.5 to 5.5-V supply voltage requirement. The device can be powered from the same rail that provides power for  $V_{(BUS)}$ .

## 10 Layout

### 10.1 Layout Guidelines

#### 10.1.1 Suggested PCB Stackups

TI recommends a PCB of at least six layers. [Table 15](#) provides example PCB stackups.

**Table 15. Example PCB Stackups**

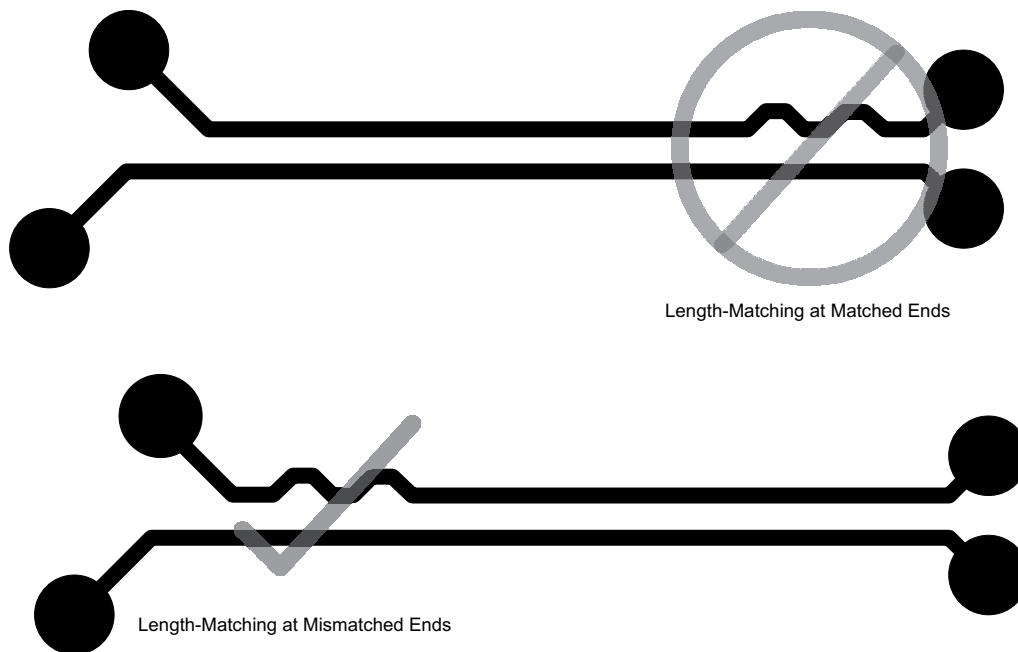
6-LAYER	8-LAYER	10-LAYER
SIGNAL	SIGNAL	SIGNAL
GROUND	GROUND	GROUND
SIGNAL <sup>(1)</sup>	SIGNAL	SIGNAL <sup>(1)</sup>
SIGNAL <sup>(1)</sup>	SIGNAL	SIGNAL <sup>(1)</sup>
POWER/GROUND <sup>(2)</sup>	POWER/GROUND <sup>(2)</sup>	POWER
SIGNAL	SIGNAL	POWER/GROUND <sup>(2)</sup>
	GROUND	SIGNAL <sup>(1)</sup>
	SIGNAL	SIGNAL <sup>(1)</sup>
		GROUND
		SIGNAL

(1) Route directly adjacent signal layers at a 90° offset to each other

(2) Plane may be split depending on specific board considerations. Ensure that traces on adjacent planes do not cross splits.

#### 10.1.2 High-Speed Signal Trace Length Matching

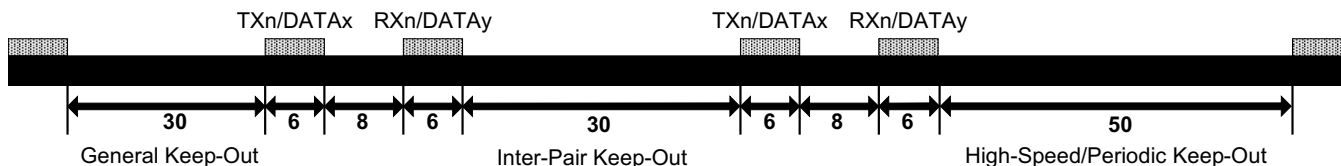
Match the etch lengths of the relevant differential pair traces of each interface. The etch length of the differential pair groups do not need to match (that is, the length of the transmit pair does not need to match the length of the receive pair). When matching the intrapair length of the high-speed signals, add serpentine routing to match the lengths as close to the mismatched ends as possible. See [Figure 13](#) for more details.



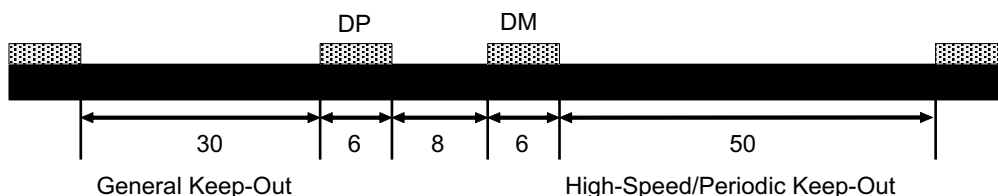
**Figure 13. Length Matching**

### 10.1.3 Differential Signal Spacing

To minimize crosstalk in high-speed interface implementations, the spacing between the signal pairs must be a minimum of 5 times the width of the trace. This spacing is referred to as the 5W rule. A PCB design with a calculated trace width of 6 mils requires a minimum of 30 mils spacing between high-speed differential pairs. Also, maintain a minimum keep-out area of 30 mils to any other signal throughout the length of the trace. Where the high-speed differential pairs abut a clock or a periodic signal, increase this keep-out to a minimum of 50 mils to ensure proper isolation. For examples of high-speed differential signal spacing, see [Figure 14](#) and [Figure 15](#).



**Figure 14. USB3/SATA/PCIe Differential Signal Spacing (mils)**



**Figure 15. USB2 Differential Signal Spacing (mils)**

### 10.1.4 High-Speed Differential Signal Rules

- Do not place probe or test points on any high-speed differential signal.
- Do not route high-speed traces under or near crystals, oscillators, clock signal generators, switching power regulators, mounting holes, magnetic devices, or ICs that use or duplicate clock signals.
- After BGA breakout, keep high-speed differential signals clear of the SoC because high current transients produced during internal state transitions can be difficult to filter out.
- When possible, route high-speed differential pair signals on the top or bottom layer of the PCB with an adjacent GND layer. TI does not recommend stripline routing of the high-speed differential signals.
- Ensure that high-speed differential signals are routed  $\geq 90$  mils from the edge of the reference plane.
- Ensure that high-speed differential signals are routed at least  $1.5W$  (calculated trace-width  $\times 1.5$ ) away from voids in the reference plane. This rule does not apply where SMD pads on high-speed differential signals are voided.
- Maintain constant trace width after the SoC BGA escape to avoid impedance mismatches in the transmission lines.
- Maximize differential pair-to-pair spacing when possible.

### 10.1.5 Symmetry in the Differential Pairs

Route all high-speed differential pairs together symmetrically and parallel to each other. Deviating from this requirement occurs naturally during package escape and when routing to connector pins. These deviations must be as short as possible and package break-out must occur within 0.25 inches of the package.

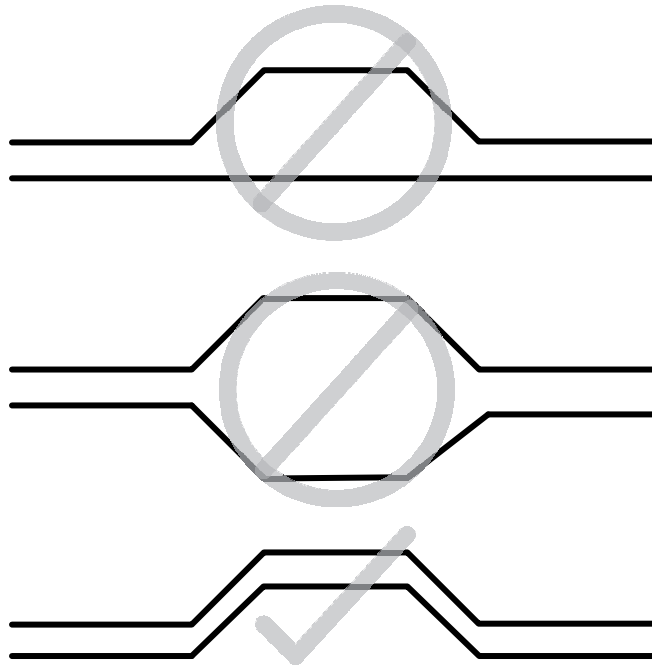


Figure 16. Differential Pair Symmetry

### 10.1.6 Via Discontinuity Mitigation

A via presents a short section of change in geometry to a trace and can appear as a capacitive and/or an inductive discontinuity. These discontinuities result in reflections and some degradation of a signal as it travels through the via. Reduce the overall via stub length to minimize the negative impacts of vias (and associated via stubs).

Because longer via stubs resonate at lower frequencies and increase insertion loss, keep these stubs as short as possible. In most cases, the stub portion of the via present significantly more signal degradation than the signal portion of the via. TI recommends keeping via stubs to less than 15 mils. Longer stubs must be back-drilled. For examples of short and long via lengths, see [Figure 17](#) and [Figure 18](#).



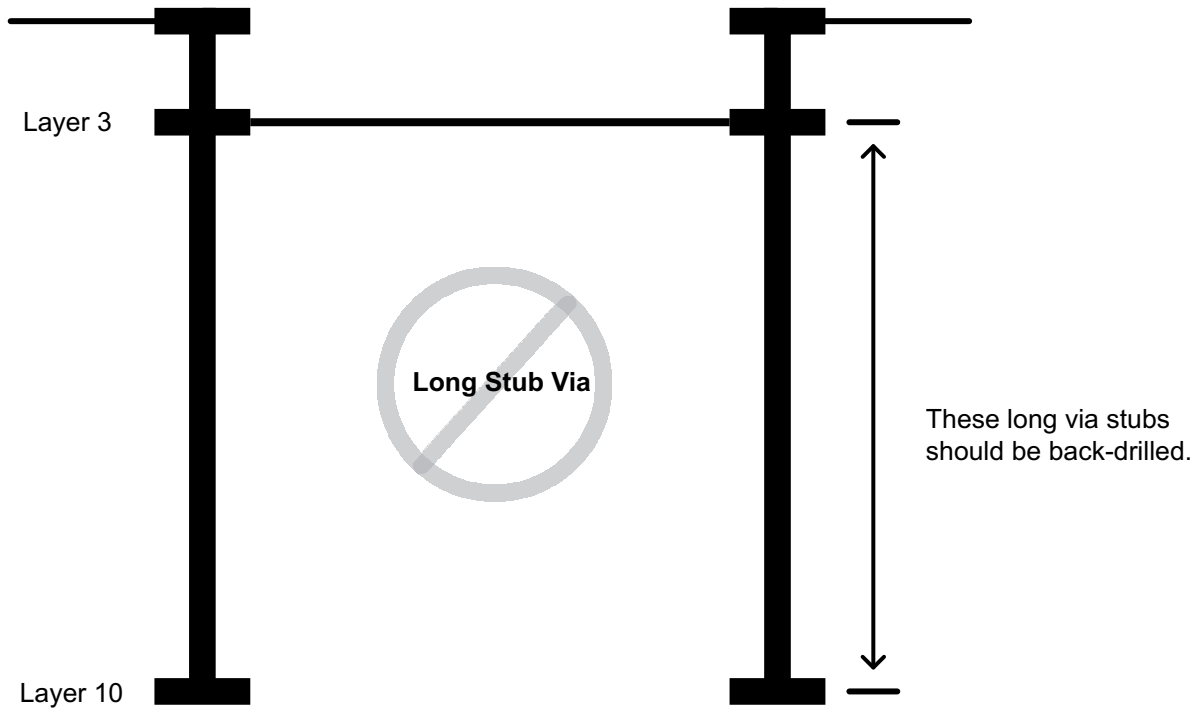


Figure 17. Via Length (Long Stub)

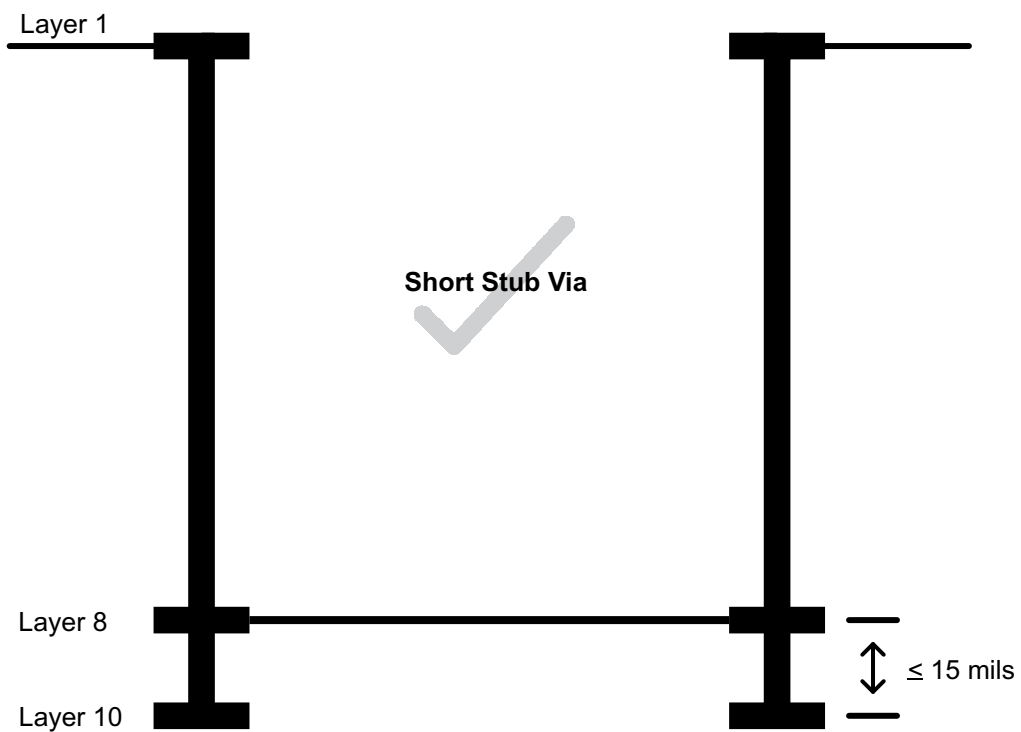
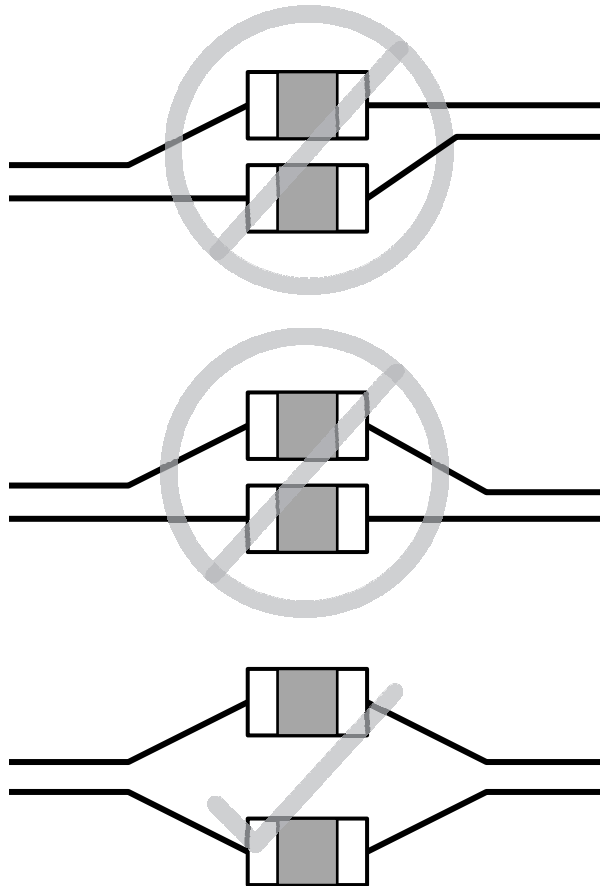


Figure 18. Via Length (Short Stub)

### 10.1.7 Surface-Mount Device Pad Discontinuity Mitigation

Avoid including surface-mount devices (SMDs) on high-speed signal traces because these devices introduce discontinuities that can negatively affect signal quality. When SMDs are required on the signal traces (for example, the USB SuperSpeed transmit AC coupling capacitors) the maximum permitted component size is 0603. TI strongly recommends using 0402 or smaller. Place these components symmetrically during the layout process to ensure optimum signal quality and to minimize reflection. For examples of correct and incorrect AC coupling capacitor placement, see [Figure 19](#).



**Figure 19. AC-Coupling Placement**

To minimize the discontinuities associated with the placement of these components on the differential signal traces, TI recommends partially voiding the SMD mounting pads of the reference plane by approximately 60% because this value strikes a balance between the capacitive effects of a 0% reference void and the inductive effects of a 100% reference void. This void should be at least two PCB layers deep. For an example of a reference plane voiding of surface mount devices, see [Figure 20](#).

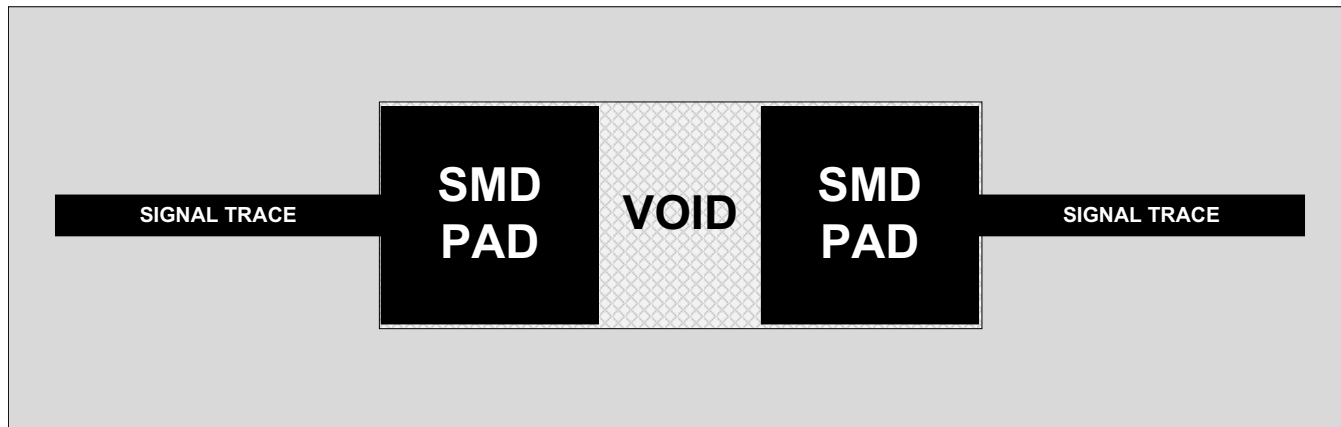


Figure 20. Reference Plane Voiding of Surface-Mount Devices

10.1.8 ESD/EMI Considerations

When choosing ESD/EMI components, TI recommends selecting devices that permit flow-through routing of the USB differential signal pair because they provide the cleanest routing. For example, the TI TPD4EUSB30 can be combined with the TI TPD2EUSB30 to provide flow-through ESD protection for both USB2 and USB3 differential signals without the need for bends in the signal pairs. For an example of flow-through routing, see [Figure 21](#).

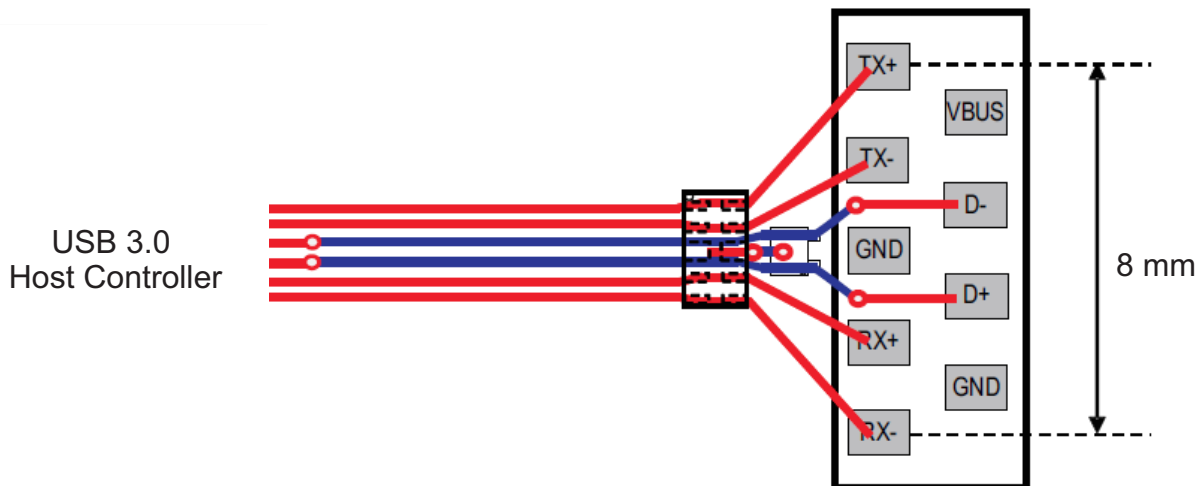


Figure 21. Flow-Through Routing

10.2 Layout

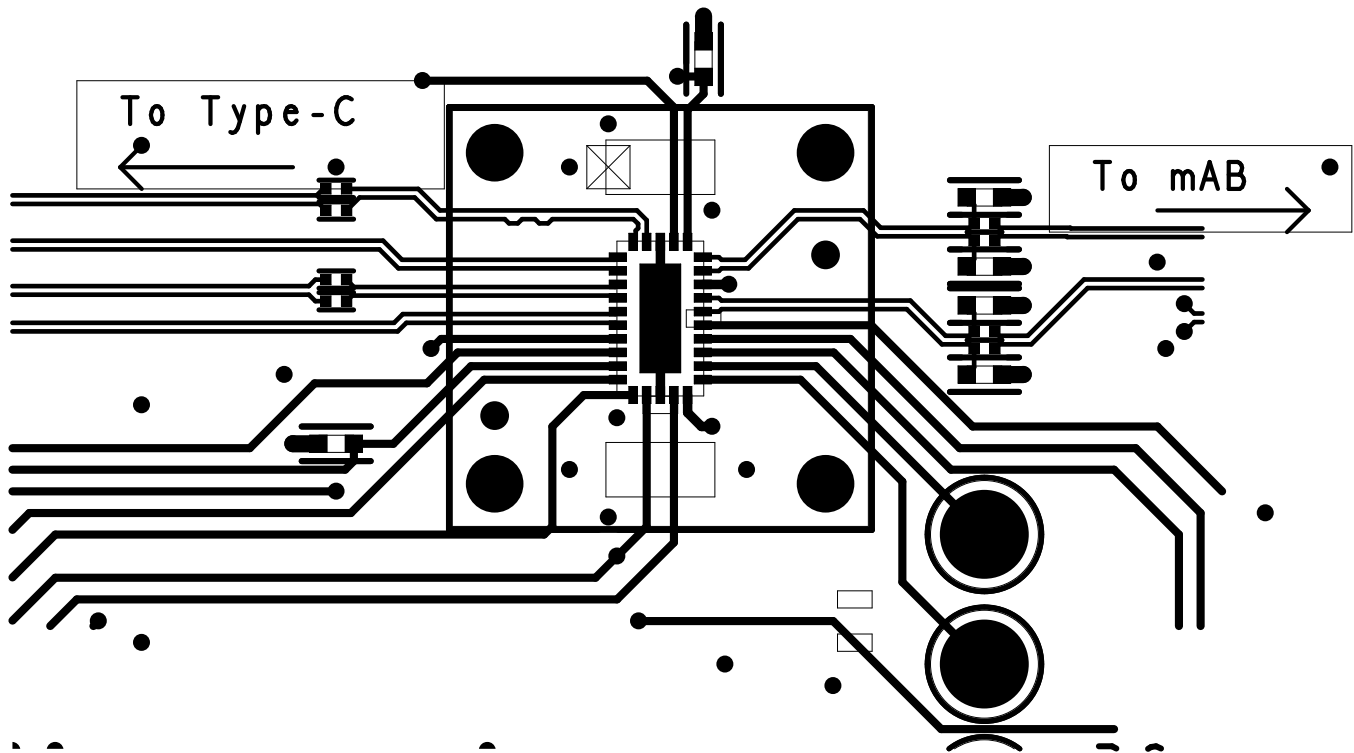


Figure 22. Layout Example

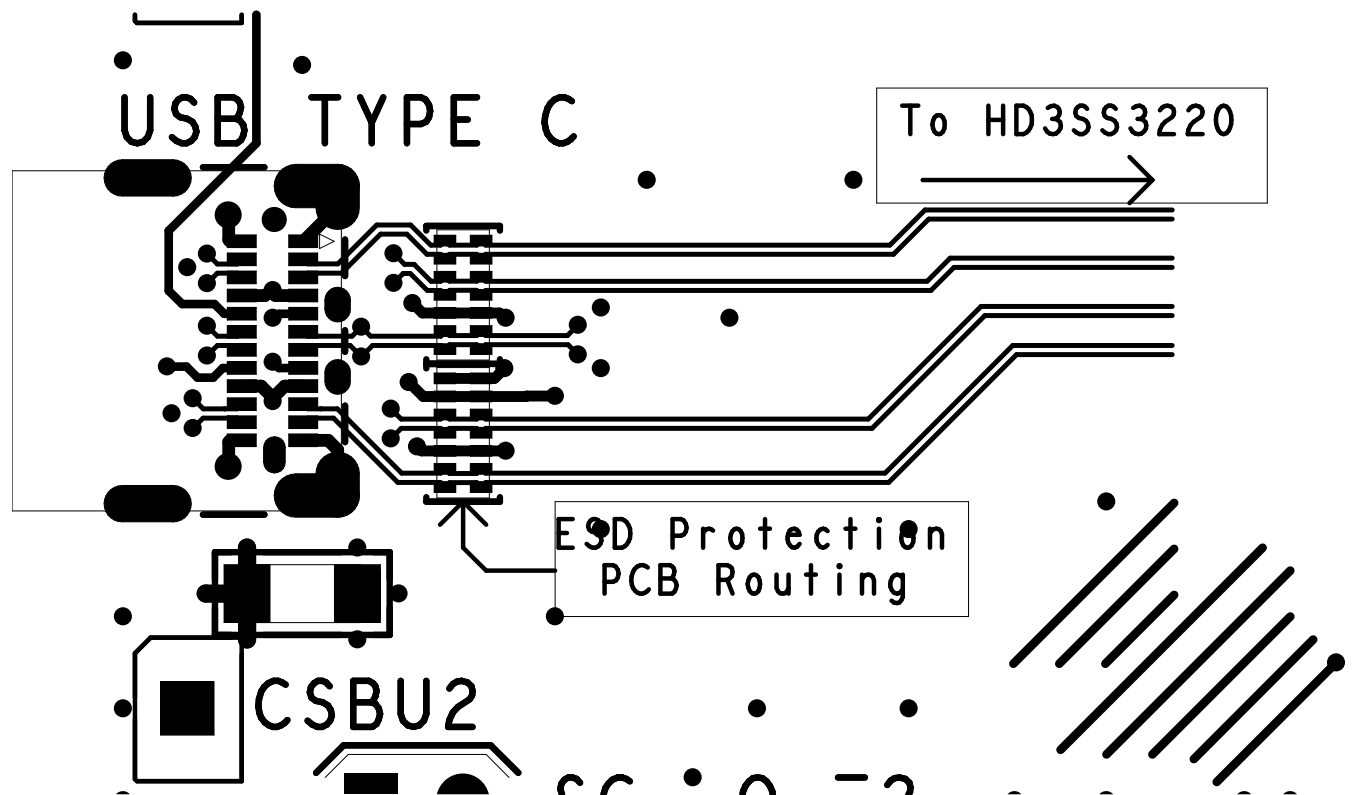


Figure 23. Layout Example 2

## 11 器件和文档支持

### 11.1 接收文档更新通知

如需接收文档更新通知，请访问 [www.ti.com.cn](http://www.ti.com.cn) 网站上的器件产品文件夹。点击右上角的提醒我 (Alert me) 注册后，即可每周定期收到已更改的产品信息。有关更改的详细信息，请查阅已修订文档中包含的修订历史记录。

### 11.2 社区资源

The following links connect to TI community resources. Linked contents are provided "AS IS" by the respective contributors. They do not constitute TI specifications and do not necessarily reflect TI's views; see TI's [Terms of Use](#).

**TI E2E™ Online Community** *TI's Engineer-to-Engineer (E2E) Community*. Created to foster collaboration among engineers. At [e2e.ti.com](http://e2e.ti.com), you can ask questions, share knowledge, explore ideas and help solve problems with fellow engineers.

**Design Support** *TI's Design Support* Quickly find helpful E2E forums along with design support tools and contact information for technical support.

### 11.3 商标

E2E is a trademark of Texas Instruments.  
All other trademarks are the property of their respective owners.

### 11.4 静电放电警告



这些装置包含有限的内置 ESD 保护。存储或装卸时，应将导线一起截短或将装置放置于导电泡棉中，以防止 MOS 门极遭受静电损伤。

### 11.5 Glossary

[SLYZ022](#) — *TI Glossary*.

This glossary lists and explains terms, acronyms, and definitions.

## 12 机械、封装和可订购信息

以下页中包括机械、封装和可订购信息。这些信息是针对指定器件可提供的最新数据。这些数据会在无通知且不对本文档进行修订的情况下发生改变。欲获得该数据表的浏览器版本，请查阅左侧的导航栏。

## 重要声明

德州仪器(TI)及其下属子公司有权根据 JESD46 最新标准,对所提供的产品和服务进行更正、修改、增强、改进或其它更改,并有权根据 JESD48 最新标准中止提供任何产品和服务。客户在下订单前应获取最新的相关信息,并验证这些信息是否完整且是最新的。所有产品的销售都遵循在订单确认时所提供的TI 销售条款与条件。

TI 保证其所销售的组件的性能符合产品销售时 TI 半导体产品销售条件与条款的适用规范。仅在 TI 保证的范围内,且 TI 认为有必要时才会使用测试或其它质量控制技术。除非适用法律做出了硬性规定,否则没有必要对每种组件的所有参数进行测试。

TI 对应用帮助或客户产品设计不承担任何义务。客户应对其使用 TI 组件的产品和应用自行负责。为尽量减小与客户产品和应用相关的风险,客户应提供充分的设计与操作安全措施。

TI 不对任何 TI 专利权、版权、屏蔽作品权或其它与使用了 TI 组件或服务的组合设备、机器或流程相关的 TI 知识产权中授予的直接或隐含权限作出任何保证或解释。TI 所发布的与第三方产品或服务有关的信息,不能构成从 TI 获得使用这些产品或服务的许可、授权、或认可。使用此类信息可能需要获得第三方的专利权或其它知识产权方面的许可,或是 TI 的专利权或其它知识产权方面的许可。

对于 TI 的产品手册或数据表中 TI 信息的重要部分,仅在没有对内容进行任何篡改且带有相关授权、条件、限制和声明的情况下才允许进行复制。TI 对此类篡改过的文件不承担任何责任或义务。复制第三方的信息可能需要服从额外的限制条件。

在转售 TI 组件或服务时,如果对该组件或服务参数的陈述与 TI 标明的参数相比存在差异或虚假成分,则会失去相关 TI 组件或服务的所有明示或暗示授权,且这是不正当的、欺诈性商业行为。TI 对任何此类虚假陈述均不承担任何责任或义务。

客户认可并同意,尽管任何应用相关信息或支持仍可能由 TI 提供,但他们将独立负责满足与其产品及其在应用中使用的 TI 产品相关的所有法律、法规和安全相关要求。客户声明并同意,他们具备制定与实施安全措施所需的全部专业技术和知识,可预见故障的危险后果、监测故障及其后果、降低有可能造成人身伤害的故障的发生机率并采取适当的补救措施。客户将全额赔偿因在此类安全关键应用中使用任何 TI 组件而对 TI 及其代理造成的任何损失。

在某些场合中,为了推进安全相关应用有可能对 TI 组件进行特别的促销。TI 的目标是利用此类组件帮助客户设计和创立其特有的可满足适用的功能安全性标准和要求的终端产品解决方案。尽管如此,此类组件仍然服从这些条款。

TI 组件未获得用于 FDA Class III (或类似的生命攸关医疗设备)的授权许可,除非各方授权官员已经达成了专门管控此类使用的特别协议。

只有那些 TI 特别注明属于军用等级或“增强型塑料”的 TI 组件才是设计或专门用于军事/航空应用或环境的。购买者认可并同意,对并非指定面向军事或航空航天用途的 TI 组件进行军事或航空航天方面的应用,其风险由客户单独承担,并且由客户独立负责满足与此类使用相关的所有法律和法规要求。

TI 已明确指定符合 ISO/TS16949 要求的产品,这些产品主要用于汽车。在任何情况下,因使用非指定产品而无法达到 ISO/TS16949 要求, TI 不承担任何责任。

	产品		应用
数字音频	<a href="http://www.ti.com.cn/audio">www.ti.com.cn/audio</a>	通信与电信	<a href="http://www.ti.com.cn/telecom">www.ti.com.cn/telecom</a>
放大器和线性器件	<a href="http://www.ti.com.cn/amplifiers">www.ti.com.cn/amplifiers</a>	计算机及周边	<a href="http://www.ti.com.cn/computer">www.ti.com.cn/computer</a>
数据转换器	<a href="http://www.ti.com.cn/dataconverters">www.ti.com.cn/dataconverters</a>	消费电子	<a href="http://www.ti.com.cn/consumer-apps">www.ti.com.cn/consumer-apps</a>
DLP® 产品	<a href="http://www.dlp.com">www.dlp.com</a>	能源	<a href="http://www.ti.com.cn/energy">www.ti.com.cn/energy</a>
DSP - 数字信号处理器	<a href="http://www.ti.com.cn/dsp">www.ti.com.cn/dsp</a>	工业应用	<a href="http://www.ti.com.cn/industrial">www.ti.com.cn/industrial</a>
时钟和计时器	<a href="http://www.ti.com.cn/clockandtimers">www.ti.com.cn/clockandtimers</a>	医疗电子	<a href="http://www.ti.com.cn/medical">www.ti.com.cn/medical</a>
接口	<a href="http://www.ti.com.cn/interface">www.ti.com.cn/interface</a>	安防应用	<a href="http://www.ti.com.cn/security">www.ti.com.cn/security</a>
逻辑	<a href="http://www.ti.com.cn/logic">www.ti.com.cn/logic</a>	汽车电子	<a href="http://www.ti.com.cn/automotive">www.ti.com.cn/automotive</a>
电源管理	<a href="http://www.ti.com.cn/power">www.ti.com.cn/power</a>	视频和影像	<a href="http://www.ti.com.cn/video">www.ti.com.cn/video</a>
微控制器 (MCU)	<a href="http://www.ti.com.cn/microcontrollers">www.ti.com.cn/microcontrollers</a>		
RFID 系统	<a href="http://www.ti.com.cn/rfidsys">www.ti.com.cn/rfidsys</a>		
OMAP应用处理器	<a href="http://www.ti.com/omap">www.ti.com/omap</a>		
无线连通性	<a href="http://www.ti.com.cn/wirelessconnectivity">www.ti.com.cn/wirelessconnectivity</a>	德州仪器在线技术支持社区	<a href="http://www.deyisupport.com">www.deyisupport.com</a>

邮寄地址: 上海市浦东新区世纪大道1568号, 中建大厦32楼邮政编码: 200122  
Copyright © 2016, 德州仪器半导体技术(上海)有限公司

**PACKAGING INFORMATION**

Orderable Device	Status (1)	Package Type	Package Drawing	Pins	Package Qty	Eco Plan (2)	Lead finish/ Ball material (6)	MSL Peak Temp (3)	Op Temp (°C)	Device Marking (4/5)	Samples
HD3SS3220IRNHR	ACTIVE	WQFN	RNH	30	3000	RoHS & Green	NIPDAU	Level-2-260C-1 YEAR	-40 to 85	HD3220	<a href="#">Samples</a>
HD3SS3220IRNHT	ACTIVE	WQFN	RNH	30	250	RoHS & Green	NIPDAU	Level-2-260C-1 YEAR	-40 to 85	HD3220	<a href="#">Samples</a>
HD3SS3220RNHR	ACTIVE	WQFN	RNH	30	3000	RoHS & Green	NIPDAU	Level-2-260C-1 YEAR	0 to 70	HD3220	<a href="#">Samples</a>
HD3SS3220RNHT	ACTIVE	WQFN	RNH	30	250	RoHS & Green	NIPDAU	Level-2-260C-1 YEAR	0 to 70	HD3220	<a href="#">Samples</a>

(1) The marketing status values are defined as follows:

**ACTIVE:** Product device recommended for new designs.

**LIFEBUY:** TI has announced that the device will be discontinued, and a lifetime-buy period is in effect.

**NRND:** Not recommended for new designs. Device is in production to support existing customers, but TI does not recommend using this part in a new design.

**PREVIEW:** Device has been announced but is not in production. Samples may or may not be available.

**OBSOLETE:** TI has discontinued the production of the device.

(2) **RoHS:** TI defines "RoHS" to mean semiconductor products that are compliant with the current EU RoHS requirements for all 10 RoHS substances, including the requirement that RoHS substance do not exceed 0.1% by weight in homogeneous materials. Where designed to be soldered at high temperatures, "RoHS" products are suitable for use in specified lead-free processes. TI may reference these types of products as "Pb-Free".

**RoHS Exempt:** TI defines "RoHS Exempt" to mean products that contain lead but are compliant with EU RoHS pursuant to a specific EU RoHS exemption.

**Green:** TI defines "Green" to mean the content of Chlorine (Cl) and Bromine (Br) based flame retardants meet JS709B low halogen requirements of <=1000ppm threshold. Antimony trioxide based flame retardants must also meet the <=1000ppm threshold requirement.

(3) **MSL, Peak Temp.** - The Moisture Sensitivity Level rating according to the JEDEC industry standard classifications, and peak solder temperature.

(4) There may be additional marking, which relates to the logo, the lot trace code information, or the environmental category on the device.

(5) Multiple Device Markings will be inside parentheses. Only one Device Marking contained in parentheses and separated by a "-" will appear on a device. If a line is indented then it is a continuation of the previous line and the two combined represent the entire Device Marking for that device.

(6) **Lead finish/Ball material** - Orderable Devices may have multiple material finish options. Finish options are separated by a vertical ruled line. Lead finish/Ball material values may wrap to two lines if the finish value exceeds the maximum column width.

**Important Information and Disclaimer:** The information provided on this page represents TI's knowledge and belief as of the date that it is provided. TI bases its knowledge and belief on information provided by third parties, and makes no representation or warranty as to the accuracy of such information. Efforts are underway to better integrate information from third parties. TI has taken and

continues to take reasonable steps to provide representative and accurate information but may not have conducted destructive testing or chemical analysis on incoming materials and chemicals. TI and TI suppliers consider certain information to be proprietary, and thus CAS numbers and other limited information may not be available for release.

In no event shall TI's liability arising out of such information exceed the total purchase price of the TI part(s) at issue in this document sold by TI to Customer on an annual basis.



**TAPE AND REEL INFORMATION**

**QUADRANT ASSIGNMENTS FOR PIN 1 ORIENTATION IN TAPE**


\*All dimensions are nominal

Device	Package Type	Package Drawing	Pins	SPQ	Reel Diameter (mm)	Reel Width W1 (mm)	A0 (mm)	B0 (mm)	K0 (mm)	P1 (mm)	W (mm)	Pin1 Quadrant
HD3SS3220IRNHR	WQFN	RNH	30	3000	330.0	12.4	2.8	4.8	1.2	4.0	12.0	Q1
HD3SS3220IRNHT	WQFN	RNH	30	250	180.0	12.4	2.8	4.8	1.2	4.0	12.0	Q1
HD3SS3220RNHR	WQFN	RNH	30	3000	330.0	12.4	2.8	4.8	1.2	4.0	12.0	Q1
HD3SS3220RNHT	WQFN	RNH	30	250	180.0	12.4	2.8	4.8	1.2	4.0	12.0	Q1

**TAPE AND REEL BOX DIMENSIONS**


\*All dimensions are nominal

Device	Package Type	Package Drawing	Pins	SPQ	Length (mm)	Width (mm)	Height (mm)
HD3SS3220IRNHR	WQFN	RNH	30	3000	367.0	367.0	35.0
HD3SS3220IRNHT	WQFN	RNH	30	250	210.0	185.0	35.0
HD3SS3220RNHR	WQFN	RNH	30	3000	367.0	367.0	35.0
HD3SS3220RNHT	WQFN	RNH	30	250	210.0	185.0	35.0

## 重要声明和免责声明

TI 均以“原样”提供技术性及其可靠性数据（包括数据表）、设计资源（包括参考设计）、应用或其他设计建议、网络工具、安全信息和其他资源，不保证其中不含任何瑕疵，且不做任何明示或暗示的担保，包括但不限于对适销性、适合某特定用途或不侵犯任何第三方知识产权的暗示担保。

所述资源可供专业开发人员应用TI 产品进行设计使用。您将对以下行为独自承担全部责任：(1) 针对您的应用选择合适的TI 产品；(2) 设计、验证并测试您的应用；(3) 确保您的应用满足相应标准以及任何其他安全、安保或其他要求。所述资源如有变更，恕不另行通知。TI 对您使用所述资源的授权仅限于开发资源所涉及TI 产品的相关应用。除此之外不得复制或展示所述资源，也不提供其它TI 或任何第三方的知识产权授权许可。如因使用所述资源而产生任何索赔、赔偿、成本、损失及债务等，TI 对此概不负责，并且您须赔偿由此对TI 及其代表造成的损害。

TI 所提供产品均受TI 的销售条款 (<http://www.ti.com.cn/zh-cn/legal/termsofsale.html>) 以及ti.com.cn 上或随附TI 产品提供的其他可适用条款的约束。TI 提供所述资源并不扩展或以其他方式更改TI 针对TI 产品所发布的可适用的担保范围或担保免责声明。

邮寄地址：上海市浦东新区世纪大道 1568 号中建大厦 32 楼，邮政编码：200122

Copyright © 2020 德州仪器半导体技术（上海）有限公司

## X-ON Electronics

Largest Supplier of Electrical and Electronic Components

*Click to view similar products for [USB Interface IC](#) category:*

*Click to view products by [Texas Instruments](#) manufacturer:*

Other Similar products are found below :

[CYUSB2304-68LTXI](#) [CYPD2120-24LQXI](#) [CYUSB3014-BZXCT](#) [CYWB0164BB-BZXI](#) [CYWB0224ABS-BZXI](#) [CP2102NP1174GM](#)  
[CYPD2119-24LQXIT](#) [CY7C65621-56LTXIT](#) [CY7C65631-56LTXIT](#) [DPO2039DABQ-13](#) [CYPD5225-96BZXIT](#) [UPD720201K8-711-BAC-A](#)  
[CYPD5235-96BZXIT](#) [CYPD3196-24LDXS](#) [UPD720115K8-611-BAK-A](#) [UPD720115K8-711-BAK-A](#) [UPD720211K8-711-BAL-A](#)  
[PI2DPX1217XUAEX](#) [UPD720211K8-611-BAL-A](#) [CY7C65223D-32LTXI](#) [CYPD6127-48LQXIT](#) [WUSB3801Q-12/TR](#) [FT232BL-JSM](#)  
[PL2303GC](#) [PL2586](#) [VL152-WLCSP](#) [CH344Q](#) [USB5744B-I/2GX01](#) [TPS25830AQCWRHBRQ1](#) [TUSB544IRNQR](#)  
[TPS25830AQWRHBRQ1](#) [FP6606ACDW4](#) [VL151\(A3\)-W](#) [CH334U](#) [CH9101U](#) [CH9101N](#) [CH334S](#) [ISOUSB211DPR](#) [CH348L](#) [RH7803](#)  
[XPD977D30A](#) [RTS5411T-GR](#) [NB7NPQ1404E2MMUTWG](#) [FE1.1S-BSOP28BPTR](#) [TUSB211AIRWBR](#) [CH344L](#) [CH9340K](#) [CH9101R](#)  
[TPS25730SRSMR](#) [CH348Q](#)