

ISOx5 Isolated 3.3-V Half- and Full-Duplex RS-485 Transceivers

1 Features

- Meets or Exceeds TIA/EIA RS-485 Requirements
- 1/8 Unit Load – Up to 256 Nodes on a Bus
- Signaling Rates up to 1 Mbps
- Thermal Shutdown Protection
- Low Bus Capacitance – 16 pF (Typical)
- 50 kV/μs Typical Transient Immunity
- Fail-safe Receiver for Bus Open, Short, Idle
- 3.3-V Inputs are 5-V Tolerant
- Safety and Regulatory Approvals
 - 4000- V_{PK} V_{IOTM} , 560- V_{PK} V_{IORM} per DIN V VDE V 0884-10 (VDE V 0884-10):2006-12 and DIN EN 61010-1
 - 2500 V_{RMS} Isolation Rating per UL 1577
 - 2500 V_{RMS} Isolation Rating per CSA CA5A and IEC 60950-1

2 Applications

- Security Systems
- Chemical Production
- Factory Automation
- Motor and Motion Control
- HVAC and Building Automation Networks
- Networked Security Stations

3 Description

The ISO15 is an isolated half-duplex differential line transceiver while the ISO35 is an isolated full-duplex differential line driver and receiver for TIA/EIA 485/422 applications. The ISO15M and ISO35M have extended ambient temperature ratings of -55°C to 125°C while the ISO15 and ISO35 are specified over -40°C to 85°C .

These devices are ideal for long transmission lines because the ground loop is broken to allow for a much larger common-mode voltage range. The symmetrical barrier of the device is tested to provide isolation of 4000 V_{PK} per VDE and 2500 V_{RMS} per UL and CSA between the bus-line transceiver and the logic-level interface.

Any cabled I/O can be subjected to electrical noise transients from various sources. These noise transients can cause damage to the transceiver and/or nearby sensitive circuitry if they are of sufficient magnitude and duration. These isolated devices can significantly increase protection and reduce the risk of damage to expensive control circuits.

Device Information⁽¹⁾

| PART NUMBER | PACKAGE | BODY SIZE (NOM) |
|-------------|-----------|--------------------|
| ISO15 | SOIC (16) | 10.30 mm x 7.50 mm |
| ISO35 | | |

(1) For all available packages, see the orderable addendum at the end of the data sheet.

4 Simplified Schematics

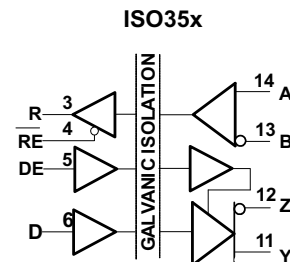
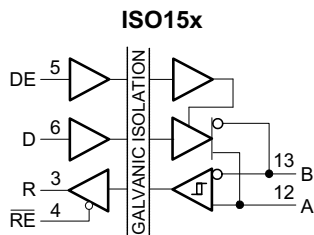


Table of Contents

| | |
|--|--|
| 1 Features 1 2 Applications 1 3 Description 1 4 Simplified Schematics 1 5 Revision History 2 6 Pin Configuration and Functions 4 7 Specifications 5 7.1 Absolute Maximum Ratings 5 7.2 ESD Ratings 5 7.3 Recommended Operating Conditions 5 7.4 Thermal Information 6 7.5 Dissipation Ratings 6 7.6 Supply Current 6 7.7 Driver Electrical Characteristics 6 7.8 Receiver Electrical Characteristics 7 7.9 Driver Switching Characteristics 7 7.10 Receiver Switching Characteristics 7 7.11 Typical Characteristics 8 8 Parameter Measurement Information 9 | 9 Detailed Description 13 9.1 Overview 13 9.2 Functional Block Diagrams 13 9.3 Feature Description 14 9.4 Device Functional Modes 15 10 Application and Implementation 18 10.1 Application Information 18 10.2 Typical Application 18 11 Power Supply Recommendations 20 12 Layout 20 12.1 Layout Guidelines 20 12.2 Layout Example 21 13 Device and Documentation Support 22 13.1 Documentation Support 22 13.2 Related Links 22 13.3 Trademarks 22 13.4 Electrostatic Discharge Caution 22 13.5 Glossary 22 14 Mechanical, Packaging, and Orderable Information 22 |
|--|--|

5 Revision History

NOTE: Page numbers for previous revisions may differ from page numbers in the current version.

Changes from Revision F (January 2012) to Revision G

Page

- Added *Pin Configuration and Functions* section, *ESD Rating* table, *Feature Description* section, *Device Functional Modes*, *Application and Implementation* section, *Power Supply Recommendations* section, *Layout* section, *Device and Documentation Support* section, and *Mechanical, Packaging, and Orderable Information* section 1
- Changed VDE standard to DIN V VDE V 0884-10 (VDE V 0884-10):2006-12. 1

Changes from Revision E (April 2010) to Revision F

Page

- Changed the FEATURES From: 4000- V_{peak} 560- V_{peak} V_{IORM} per IEC....Rev 2) To: 4000- V_{PK} V_{IOTM} , 560- V_{PK} V_{IORM} , IEC 60747-5-2 (VDE 0884, Rev 2) 1
- Changed Description From: The symmetrical isolation.....interface. To; The symmetrical isolation barrier of the device is tested to provide isolation of 4000 V_{PK} per VDE and 2500 V_{RMS} per UL and CSA betweeninterface. 1
- Changed CTI From: ≥ 175 V To: ≥ 400 V 7
- Changed the Regulatory Information Table 7

Changes from Revision D (March 2009) to Revision E

Page

- Added devices ISO15M and ISO35M to the data sheet 1
- Changed Description - From: The ISO15 and ISO35 are qualified for use from -40°C to 85°C . To: The ISO15M and ISO35M have extended ambient temperature ratings of -55°C to 125°C while the ISO15 and ISO35 are specified over -40°C to 85°C 1
- Added Added Ambient Temp information in the RECOMMENDED OPERATING CONDITIONS table 5
- Added ISO15M and ISO35M to the Operating junction temperature in the RECOMMENDED OPERATING CONDITIONS table 5
- Changed the DRIVER ELECTRICAL table, I_{OZ} High-impedance state output current - Test Condition V_Y or $V_Z = 12$ V, $V_{CC} = 0$ values From: TYP = -10 , MAX = - To: TYP = -, MAX = 90. 6
- Changed the DRIVER ELECTRICAL table, I_{OZ} High-impedance state output current - Test Condition V_Y or $V_Z = -7$

| | |
|---|----|
| V values From: TYP = -, MAX = 90 To: TYP = -10, MAX = - | 6 |
| • Added I _A or I _B limits for the ISO15M ans ISO35M devices | 7 |
| • Added t _r , t _f limits for the ISO15M ans ISO35M devices | 7 |
| • Added pulse skew limits for the ISO15M ans ISO35M devices | 7 |
| • Added t _r , t _f for the ISO15M ans ISO35M devices..... | 7 |
| • Added the Driver output pins Note for Figure 3 through Figure 6 | 9 |
| • Changed the Driver output pins Note for Figure 7 through Figure 8 | 10 |

| | |
|--|-------------|
| Changes from Revision C (December 2008) to Revision D | Page |
|--|-------------|

| | |
|--|---|
| • Changed Propagation delay values From: μ s To: ns in the DRIVER SWITCHING table..... | 7 |
|--|---|

| | |
|--|-------------|
| Changes from Revision B (July 2008) to Revision C | Page |
|--|-------------|

| | |
|---|---|
| • Added added IEC.....Approved..... | 1 |
| • Added added CSA information column back in table..... | 7 |

| | |
|--|-------------|
| Changes from Revision A (June 2008) to Revision B | Page |
|--|-------------|

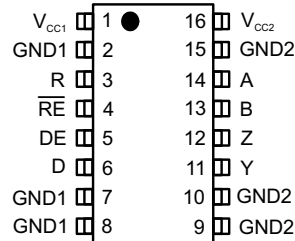
| | |
|---|----|
| • Changed From: 4000-Vpeak Isolation To: 4000-Vpeak Isolation, 560-Vpeak VIORM UL 1577, IEC 60747-5-2 (VDE 0884, Rev 2) | 1 |
| • Changed Figure 15 , Full-Duplex Common-Mode Transient Immunity Test Circuit..... | 12 |

| | |
|---|-------------|
| Changes from Original (May 2008) to Revision A | Page |
|---|-------------|

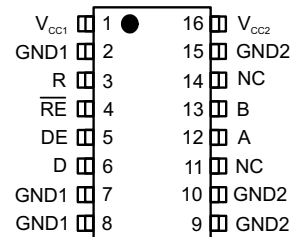
| | |
|---|---|
| • Changed L(101) Minimum air gap (Clearance) From 7.7mm To 8.34mm. | 7 |
| • Changed From 40014131 To 40016131 | 7 |
| • Deleted CSA information from the Regulatory Information Table. | 7 |

6 Pin Configuration and Functions

**ISO35x DW Package
16-Pin SOIC
Top View**



**ISO15x DW Package
16-Pin SOIC
Top View**



Pin Functions

| NAME | PIN | | I/O | DESCRIPTION |
|------------------|------------|------------|-----|--|
| | ISO15x NO. | ISO35x NO. | | |
| V _{CC1} | 1 | 1 | – | Logic side power supply |
| GND1 | 2,7,8 | 2,7,8 | – | Logic side ground; internally connected |
| R | 3 | 3 | O | Receiver output |
| \overline{RE} | 4 | 4 | I | Receiver logic-low enable |
| DE | 5 | 5 | I | Driver logic-high enable input |
| D | 6 | 6 | I | Driver input |
| GND2 | 9,10,15 | 9,10,15 | – | Bus side ground; internally connected |
| NC | 11,14 | – | – | Not connected internally; may be left floating |
| A | 12 | 14 | I/O | ISO15x: Noninverting bus input / output |
| | | | I | ISO35x: Noninverting bus input |
| B | 13 | 13 | I/O | ISO15x: Inverting bus input / output |
| | | | I | ISO35x: Inverting bus input |
| Y | – | 11 | O | Noninverting bus output |
| Z | – | 12 | O | Inverting bus output |
| V _{CC2} | 16 | 16 | – | Bus side power supply |

7 Specifications

7.1 Absolute Maximum Ratings⁽¹⁾

| | | MAX | MAX | UNIT |
|-----------|--|------|-----|--------------------|
| V_{CC} | Input supply voltage. ⁽²⁾ V_{CC1} , V_{CC2} | -0.3 | 6 | V |
| V_O | Voltage at any bus I/O terminal | -9 | 14 | V |
| V_{IT} | Voltage input, transient pulse, A, B, Y, and Z (through 100 Ω , see Figure 13) | -50 | 50 | V |
| V_I | Voltage input at any D, DE or \overline{RE} terminal | -0.5 | 7 | V |
| I_O | Receiver output current | -10 | 10 | mA |
| T_J | Maximum junction temperature | | 170 | $^{\circ}\text{C}$ |
| T_{stg} | Storage temperature | -65 | 150 | $^{\circ}\text{C}$ |

- (1) Stresses beyond those listed under *Absolute Maximum Ratings* may cause permanent damage to the device. These are stress ratings only and functional operation of the device at these or any other conditions beyond those indicated under *Recommended Operating Conditions* is not implied. Exposure to absolute-maximum-rated conditions for extended periods may affect device reliability.
- (2) All voltage values except differential I/O bus voltages are with respect to network ground terminal and are peak voltage values

7.2 ESD Ratings

| | | VALUE | UNIT | | |
|-------------|-------------------------|--|-------------------|-------------|---|
| $V_{(ESD)}$ | Electrostatic discharge | Human body model (HBM), per ANSI/ESDA/JEDEC JS-001 ⁽¹⁾ | Bus pins and GND1 | ± 6000 | V |
| | | | Bus pins and GND2 | ± 16000 | |
| | | | All pins | ± 4000 | |
| | | Charged device model (CDM), per JEDEC specification JESD22-C101, all pins ⁽²⁾ | ± 1000 | | |
| | | Machine model ANSI/ESDS5.2-1996 | ± 200 | | |

- (1) JEDEC document JEP155 states that 500-V HBM allows safe manufacturing with a standard ESD control process.
- (2) JEDEC document JEP157 states that 250-V CDM allows safe manufacturing with a standard ESD control process.

7.3 Recommended Operating Conditions

| | | MIN | NOM | MAX | UNIT | |
|------------|---------------------------------------|------------------------|-----|----------|----------|--------------------|
| V_{CC} | Supply Voltage, V_{CC1} , V_{CC2} | 3.15 | 3.3 | 3.6 | V | |
| V_{OC} | Voltage at either bus I/O terminal | A, B | -7 | 12 | V | |
| V_{IH} | High-level input voltage | D, DE, \overline{RE} | 2 | V_{CC} | V | |
| V_{IL} | Low-level input voltage | | 0 | 0.8 | | |
| V_{ID} | Differential input voltage | A with respect to B | -12 | 12 | V | |
| R_L | Differential input resistance | 54 | 60 | | Ω | |
| I_O | Output current | Driver | -60 | 60 | mA | |
| | | Receiver | -8 | 8 | | |
| $1/t_{UI}$ | Signaling rate | ISO15x and ISO35x | | 1 | Mbps | |
| T_A | Ambient temperature | ISO15 and ISO35 | -40 | 25 | 85 | $^{\circ}\text{C}$ |
| | | ISO15M and ISO35M | -55 | 25 | 125 | |
| T_J | Operating junction temperature | ISO15 and ISO35 | -40 | | 150 | $^{\circ}\text{C}$ |
| | | ISO15M and ISO35M | -55 | | 150 | |

7.4 Thermal Information

| THERMAL METRIC ⁽¹⁾ | | UNIT | ISO15, ISO35 | |
|-------------------------------|--|--------------|-----------------|------|
| | | | DW (SOIC) | |
| | | | 16 PINS | |
| R _{θJA} | Junction-to-ambient thermal resistance | High-K board | 79.6 | °C/W |
| | | Low-K board | 168 | |
| R _{θJC(top)} | Junction-to-case (top) thermal resistance | | 39.7 | |
| R _{θJB} | Junction-to-board thermal resistance | | 44.6 | |
| Ψ _{JT} | Junction-to-top characterization parameter | | 11.8 | |
| Ψ _{JB} | Junction-to-board characterization parameter | | 44 | |
| R _{θJC(bot)} | Junction-to-case (bottom) thermal resistance | | n/a | |

(1) For more information about traditional and new thermal metrics, see the *IC Package Thermal Metrics* application report, [SPRA953](#).

7.5 Dissipation Ratings

| | | VALUE | UNIT |
|----------------|--------------------------|---|--------|
| P _D | Device Power Dissipation | V _{CC1} = V _{CC2} = 3.6 V, T _J = 150°C, C _L = 15 pF, Input a 0.5 MHz 50% duty cycle square wave | 220 mW |

7.6 Supply Current

over recommended operating condition (unless otherwise noted)

| PARAMETER | | TEST CONDITIONS | | MIN | TYP | MAX | UNIT |
|------------------|---------------------------|-------------------|--|-----|-----|-----|------|
| I _{CC1} | Logic-side supply current | ISO35x and ISO15x | \overline{RE} at 0 V or V _{CC} , DE at 0 V, No load (driver disabled) | | | 8 | mA |
| | | | \overline{RE} at 0 V or V _{CC} , DE at V _{CC} , No Load (driver enabled) | | | 8 | |
| I _{CC2} | Bus-side supply current | ISO35x and ISO15x | \overline{RE} at 0 V or V _{CC} , DE at 0 V, No load (driver disabled) | | | 15 | mA |
| | | | \overline{RE} at 0 V or V _{CC} , DE at V _{CC} , No Load (driver enabled) | | | 19 | |

7.7 Driver Electrical Characteristics

over recommended operating conditions (unless otherwise noted)

| PARAMETER | | TEST CONDITIONS | | MIN | TYP | MAX | UNIT |
|----------------------|--|--|--|--------------------|-----|-----------------|-------|
| V _{OD} | Differential output voltage magnitude | I _O = 0 mA, no load | | 2.5 | | V _{CC} | V |
| | | R _L = 54 Ω, See Figure 3 | | 1.5 | 2 | | |
| | | R _L = 100 Ω (RS-422), See Figure 3 | | 2 | 2.3 | | |
| | | V _{test} from -7 V to +12 V, See Figure 4 | | 1.5 | | | |
| Δ V _{OD} | Change in magnitude of the differential output voltage | See Figure 3 and Figure 4 | | -0.2 | 0 | 0.2 | V |
| V _{OC(SS)} | Steady-state common-mode output voltage | See Figure 5 | | 1 | 2.6 | 3 | V |
| ΔV _{OC(SS)} | Change in steady-state common-mode output voltage | | | -0.1 | | 0.1 | |
| V _{OC(pp)} | Peak-to-peak common-mode output voltage | See Figure 5 | | | 0.5 | | V |
| I _I | Input current | D, DE, V _I at 0 V or V _{CC1} | | -10 | | 10 | μA |
| I _{OZ} | High-impedance state output current | ISO15 | See receiver input current | | | | μA |
| | | ISO35 | V _Y or V _Z = 12 V | Other input at 0 V | | 90 | |
| | | | V _Y or V _Z = 12 V, V _{CC} = 0 | | | 90 | |
| | | | V _Y or V _Z = -7 V | | | -10 | |
| | V _Y or V _Z = -7 V, V _{CC} = 0 | | | -10 | | | |
| I _{OS} | Short-circuit output current | V _A or V _B at -7 V | | -250 | | 250 | mA |
| | | V _A or V _B at 12 V | | | | | |
| C _{OD} | Differential output capacitance | V _I = 0.4 sin(4E6πt) + 0.5 V, DE at 0 V | | | 16 | | pF |
| CMTI | Common-mode transient immunity | V _I = V _{CC} or 0 V, See Figure 14 and Figure 15 | | 25 | 50 | | kV/μs |

7.8 Receiver Electrical Characteristics

over recommended operating conditions (unless otherwise noted)

| PARAMETER | | TEST CONDITIONS | MIN | TYP | MAX | UNIT | |
|----------------|--|--|-----------------------|--|------|---------------|---------------|
| $V_{IT(+)}$ | Positive-going input threshold voltage | $I_O = -8 \text{ mA}$ | | | -20 | mV | |
| $V_{IT(-)}$ | Negative-going input threshold voltage | $I_O = 8 \text{ mA}$ | -200 | | | mV | |
| V_{hys} | Hysteresis voltage ($V_{IT+} - V_{IT-}$) | | | 50 | | mV | |
| V_O | Output voltage | $V_{ID} = 200 \text{ mV}$, See Figure 9 | $I_O = -8 \text{ mA}$ | 2.4 | | V | |
| | | | $I_O = 8 \text{ mA}$ | | 0.4 | | |
| I_{OZ} | High-impedance state output current | $V_I = -7 \text{ to } 12 \text{ V}$, Other input = 0 V | -1 | | 1 | μA | |
| I_A or I_B | Bus input current | $-55^\circ\text{C} \leq T_A \leq 85^\circ\text{C}$ | Other input at 0 V | V_A or $V_B = 12 \text{ V}$ | 50 | 100 | μA |
| | | | | V_A or $V_B = 12 \text{ V}$, $V_{CC} = 0$ | 50 | 100 | |
| | | $85^\circ\text{C} \leq T_A \leq 125^\circ\text{C}$ | | V_A or $V_B = 12 \text{ V}$ | | 200 | |
| | | | | V_A or $V_B = 12 \text{ V}$, $V_{CC} = 0$ | | 200 | |
| | | $-55^\circ\text{C} \leq T_A \leq 125^\circ\text{C}$ | | V_A or $V_B = -7 \text{ V}$ | -100 | -40 | |
| | | | | V_A or $V_B = -7 \text{ V}$, $V_{CC} = 0$ | -100 | -30 | |
| I_{IH} | High-level input current, \overline{RE} | $V_{IH} = 2 \text{ V}$ | -10 | | | μA | |
| I_{IL} | Low-level input current, \overline{RE} | $V_{IL} = 0.8 \text{ V}$ | -10 | | | μA | |
| R_{ID} | Differential input resistance | A, B | 48 | | | k Ω | |
| C_{ID} | Differential input capacitance | $V_I = 0.4 \sin(4E6\pi t) + 0.5\text{V}$, DE at 0 V | | 16 | | pF | |

7.9 Driver Switching Characteristics

over recommended operating conditions (unless otherwise noted)

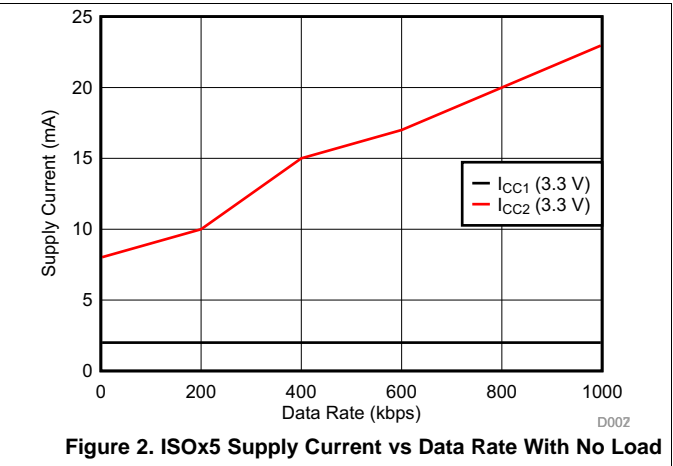
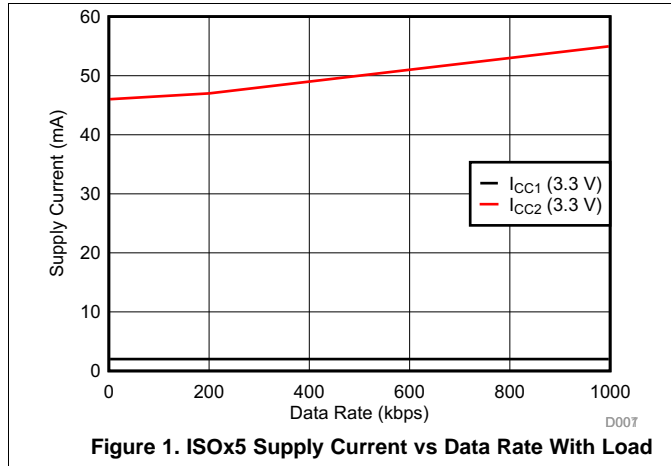
| PARAMETER | | TEST CONDITIONS | MIN | TYP | MAX | UNIT |
|-----------------------|--|------------------------------|-----------------|-----|-----|------|
| t_{PLH} , t_{PHL} | Propagation delay | See Figure 6 | | | 340 | ns |
| $t_{sk(p)}$ | Pulse skew ($ t_{PHL} - t_{PLH} $) | | 6 | | | |
| t_r , t_f | Differential output signal rise time, fall time | | ISO15 and ISO35 | 120 | 180 | |
| | | ISO15M and ISO35M | 120 | 180 | 350 | |
| t_{PHZ} | Propagation delay, high-level-to-high-impedance output | See Figure 7 | | | 205 | ns |
| t_{PZH} | Propagation delay, high-impedance-to-high-level output | | 530 | | | |
| t_{PLZ} | Propagation delay, low-level to high-impedance output | See Figure 8 | | | 330 | ns |
| t_{PZL} | Propagation delay, standby-to-low-level output | | 530 | | | |

7.10 Receiver Switching Characteristics

over recommended operating conditions (unless otherwise noted)

| PARAMETER | | TEST CONDITIONS | MIN | TYP | MAX | UNIT |
|--------------------------|---|---|-----|-----|-----|------|
| t_{PLH} , t_{PHL} | Propagation delay | ISO15x and ISO35x | | | 100 | ns |
| $t_{sk(p)}$ | Pulse skew ($ t_{PHL} - t_{PLH} $) | ISO15 and ISO35 | | | 13 | |
| | | ISO15M and ISO35M | | | 18 | |
| t_r , t_f | Output signal rise and fall time | ISO15 and ISO35 | | 2 | 4 | |
| | | ISO15M and ISO35M | | 2 | 6 | |
| t_{PZH} , t_{PZL} | Propagation delay, high-impedance-to-high-level output Propagation delay, high-impedance-to-low-level output | DE at 0 V, See Figure 11 and Figure 12 | | 13 | 25 | ns |
| t_{PHZ} , t_{PLZ} | Propagation delay, high-level-to-high-impedance output Propagation delay, low-level to high-impedance output | | | 13 | 25 | |

7.11 Typical Characteristics



8 Parameter Measurement Information

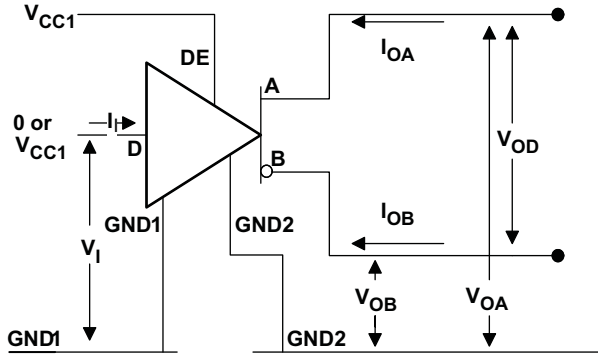


Figure 3. Driver V_{OD} Test and Current Definitions

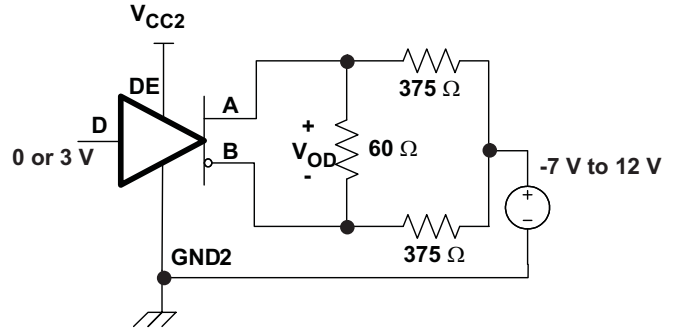


Figure 4. Driver V_{OD} With Common-Mode Loading Test Circuit

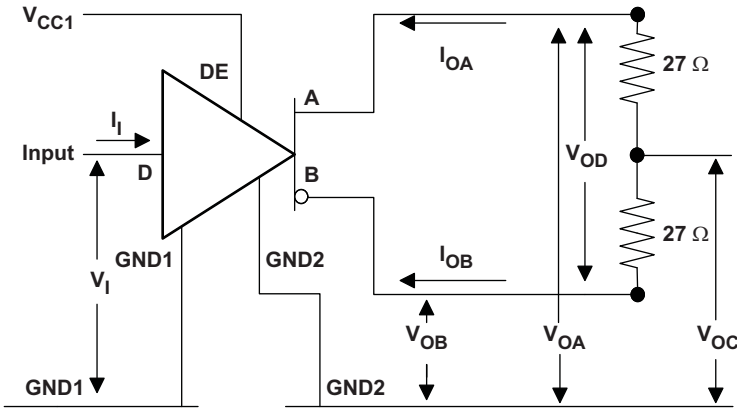
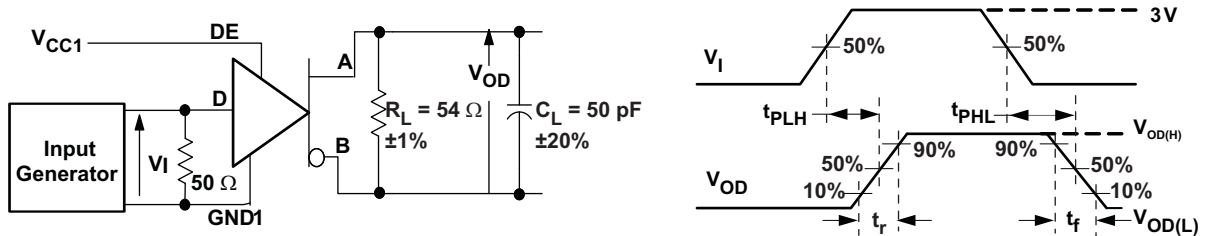


Figure 5. Test Circuit and Waveform Definitions for the Driver Common-Mode Output Voltage



Generator: PRR = 500 kHz, 50% duty cycle, $t_r < 6\text{ns}$, $t_f < 6\text{ns}$, $Z_0 = 50 \Omega$

C_L includes fixture and Instrumentation Capacitance

Figure 6. Driver Switching Test Circuit and Voltage Waveforms

NOTE

Driver output pins are A and B for the ISO15 (see Figure 3 through Figure 6). These correspond to ISO35 pins Y and Z

Parameter Measurement Information (continued)

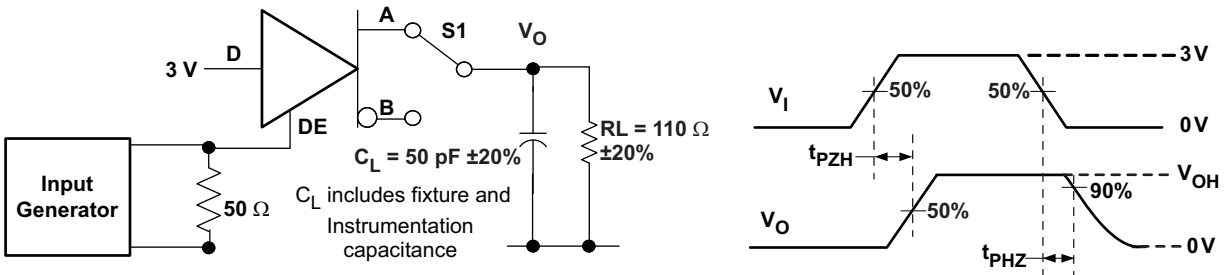


Figure 7. Driver High-Level Output Enable and Disable Time Test Circuit and Voltage Waveforms

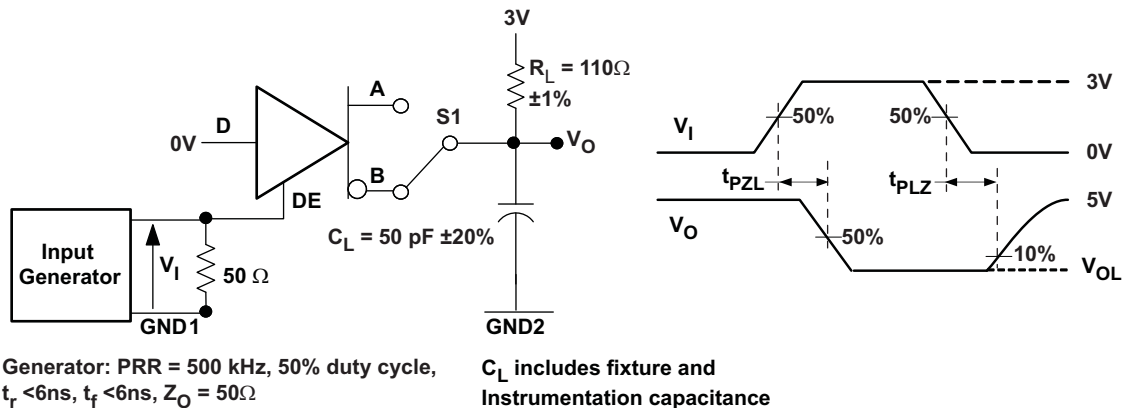


Figure 8. Driver Low-Level Output Enable and Disable Time Test Circuit and Voltage Waveform

NOTE

Driver output pins are A and B for the ISO15 (see Figure 7 through Figure 8). These correspond to ISO35 pins Y and Z

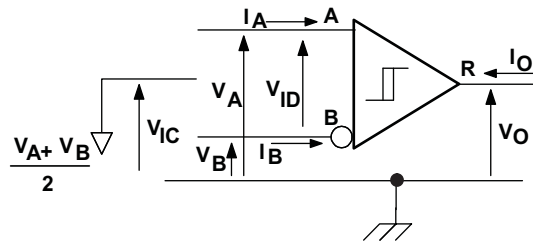


Figure 9. Receiver Voltage and Current Definitions

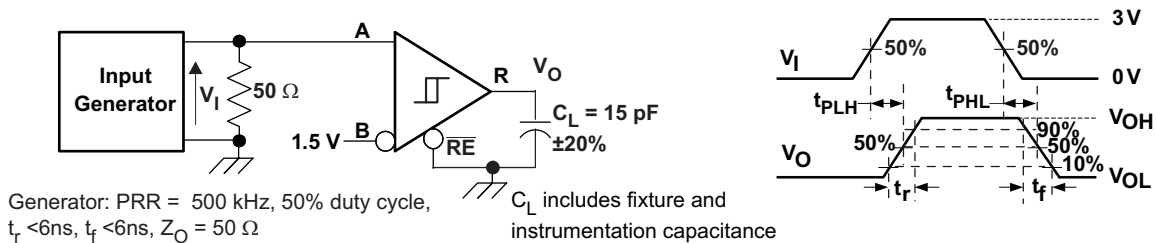


Figure 10. Receiver Switching Test Circuit and Waveforms

Parameter Measurement Information (continued)

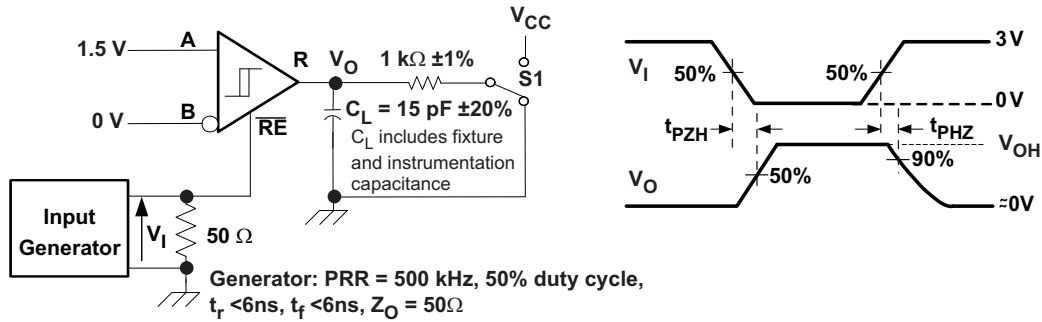


Figure 11. Receiver Enable Test Circuit and Waveforms, Data Output High

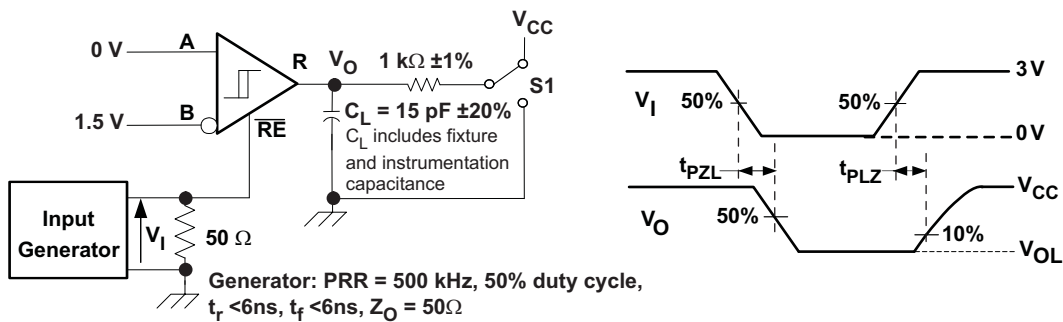
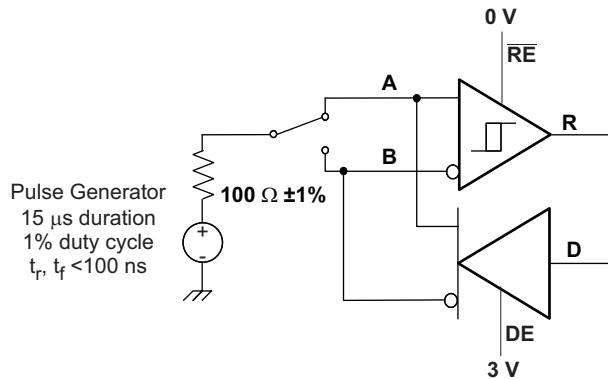


Figure 12. Receiver Enable Test Circuit and Waveforms, Data Output Low



Note: This test is conducted to test survivability only. Data stability at the R output is not specified.

Figure 13. Transient Overvoltage Test Circuit

Parameter Measurement Information (continued)

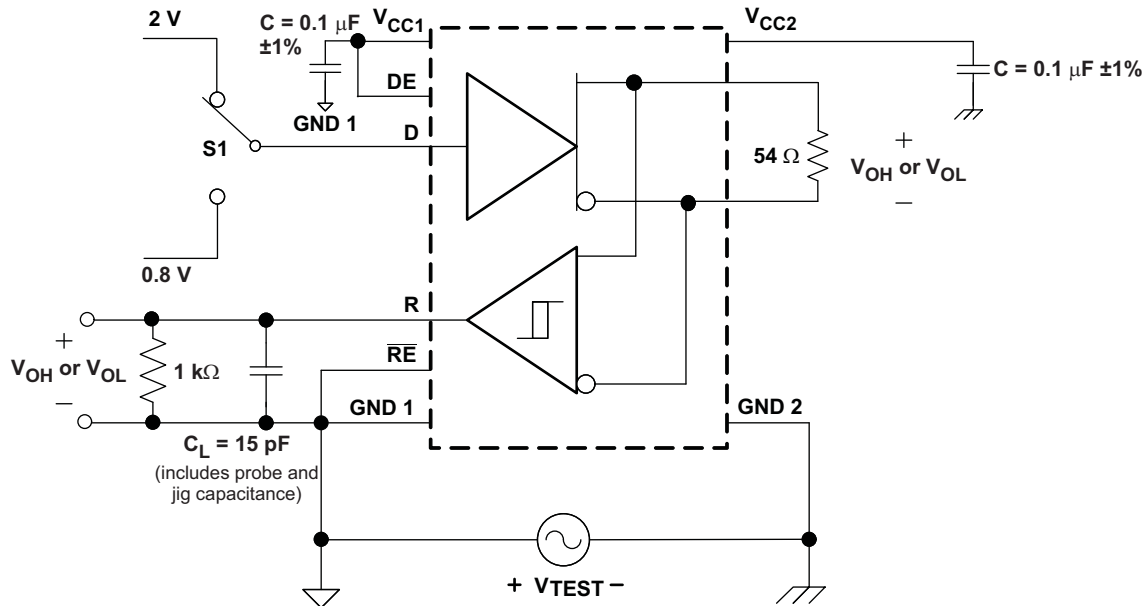


Figure 14. Half-Duplex Common-Mode Transient Immunity Test Circuit

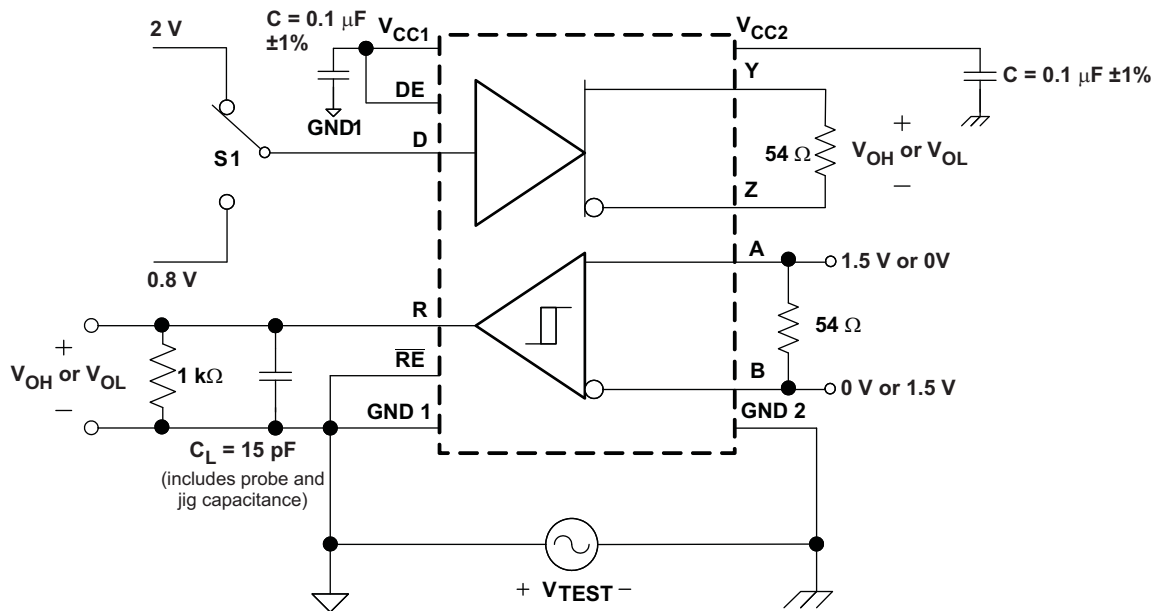


Figure 15. Full-Duplex Common-Mode Transient Immunity Test Circuit

9 Detailed Description

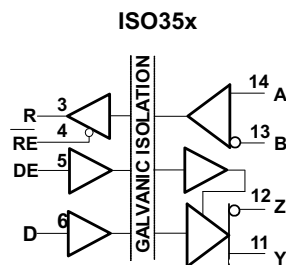
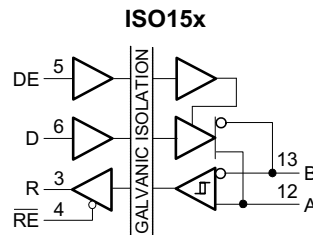
9.1 Overview

The ISO15 and ISO15M are isolated half-duplex differential line drivers and receivers while the ISO35 and ISO35M are isolated full-duplex differential line transceivers for TIA/EIA 485/422 applications. They are rated to provide galvanic isolation of up to 2500 V_{rms} for 60 sec as per the standard. They have active-high driver enables and active-low receiver enables to control the data flow.

When the driver enable pin, DE, is logic high, the differential outputs Y and Z follow the logic states at data input D. A logic high at D causes Y to turn high and Z to turn low. In this case the differential output voltage defined as $V_{OD} = V_{(Y)} - V_{(Z)}$ is positive. When D is low, the output states reverse, Z turns high, Y becomes low, and V_{OD} is negative. When DE is low, both outputs turn high-impedance. In this condition the logic state at D is irrelevant. The DE pin has an internal pulldown resistor to ground, thus when left open the driver is disabled (high-impedance) by default. The D pin has an internal pullup resistor to V_{CC} , thus, when left open while the driver is enabled, output Y turns high and Z turns low.

When the receiver enable pin, RE, is logic low, the receiver is enabled. When the differential input voltage defined as $V_{ID} = V_{(A)} - V_{(B)}$ is positive and higher than the positive input threshold, V_{IT+} , the receiver output, R, turns high. When V_{ID} is negative and less than the negative and lower than the negative input threshold, V_{IT-} , the receiver output, R, turns low. If V_{ID} is between V_{IT+} and V_{IT-} the output is indeterminate. When RE is logic high or left open, the receiver output is high-impedance and the magnitude and polarity of V_{ID} are irrelevant. Internal biasing of the receiver inputs causes the output to go failsafe-high when the transceiver is disconnected from the bus (open-circuit), the bus lines are shorted (short-circuit), or the bus is not actively driven (idle bus).

9.2 Functional Block Diagrams



9.3 Feature Description

9.3.1 Insulation and Safety-Related Package Characteristics

| PARAMETER | | TEST CONDITIONS | MIN | TYP | MAX | UNIT |
|-----------------|---|--|-------|-------------------|-----|------|
| L(I01) | Minimum air gap (Clearance) ⁽¹⁾ | Shortest terminal to terminal distance through air | 8.34 | | | mm |
| L(I02) | Minimum external tracking (Creepage) ⁽¹⁾ | Shortest terminal to terminal distance across the package surface | 8.1 | | | mm |
| CTI | Tracking resistance (Comparative Tracking Index) | DIN IEC 60112 / VDE 0303 Part 1 | ≥400 | | | V |
| DTI | Minimum Internal Gap (Internal Clearance) | Distance through the insulation | 0.008 | | | mm |
| R _{IO} | Isolation resistance | Input to output, V _{IO} = 500 V, T _A = 25°C, all pins on each side of the barrier tied together creating a two-terminal device | | >10 ¹² | | Ω |
| C _{IO} | Barrier capacitance input to output | V _I = 0.4 sin (4E6πt) | | 2 | | pF |
| C _I | Input capacitance to ground | V _I = 0.4 sin (4E6πt) | | 2 | | pF |

(1) Creepage and clearance requirements should be applied according to the specific equipment isolation standards of an application. Care should be taken to maintain the creepage and clearance distance of a board design to ensure that the mounting pads of the isolator on the printed circuit board do not reduce this distance. Creepage and clearance on a printed circuit board become equal according to the measurement techniques shown in the Isolation Glossary. Techniques such as inserting grooves and/or ribs on a printed circuit board are used to help increase these specifications.

9.3.2 DIN V VDE V 0884-10 Insulation Characteristics

over recommended operating conditions (unless otherwise noted)⁽²⁾

| PARAMETER | TEST CONDITIONS | SPECIFICATION | UNIT |
|-------------------|------------------------------------|---|------------------|
| V _{IOTM} | Transient overvoltage | Method a, t = 60 s, Qualification test | 4000 |
| V _{IORM} | Maximum working insulation voltage | | 560 |
| V _{PR} | Input to output test voltage | Method b1, V _{PR} = V _{IORM} × 1.875, 100% Production test with t = 1 s, Partial discharge < 5 pC | 1050 |
| R _S | Insulation resistance | V _{IO} = 500 V at T _S | >10 ⁹ |
| | Pollution degree | | 2 |

(2) Climatic Classification 40/125/21

9.3.3 IEC 60664-1 Ratings Table

| PARAMETER | TEST CONDITIONS | SPECIFICATION |
|-----------------------------|--|---------------|
| Basic isolation group | Material group | II |
| Installation classification | Rated mains voltage ≤ 150 V _{RMS} | I-IV |
| | Rated mains voltage ≤ 300 V _{RMS} | I-III |
| | Rated mains voltage ≤ 400 V _{RMS} | I-II |

9.3.4 Regulatory Information

| VDE | CSA | UL |
|---|---|---|
| Certified according to DIN V VDE V 0884-10 (VDE V 0884-10):2006-12 | Approved under CSA Component Acceptance Notice 5A and IEC 60950-1 | Recognized under UL 1577 Component Recognition Program ⁽¹⁾ |
| Basic insulation, 4000 V _{PK} Maximum transient overvoltage, 560 V _{PK} Maximum working voltage | 2500 V _{RMS} Isolation rating, 396 V _{PK} Basic working voltage per CSA 60950-1-07 and IEC 60950-1 (2nd Ed) | Single Protection, 2500 V _{RMS} |
| Certificate number: 40016131 | Master contract number: 220991 | File number: E181974 |

(1) Production tested ≥3000 V_{RMS} for 1 second in accordance with UL 1577.

9.3.5 Safety-Limiting Values

Safety limiting intends to prevent potential damage to the isolation barrier upon failure of input or output circuitry. A failure of the I/O can allow low resistance to ground or the supply and, without current limiting, dissipate sufficient power to overheat the die and damage the isolation barrier potentially leading to secondary system failures.

| PARAMETER | | MIN | TYP | MAX | UNIT |
|-----------|---|-----|-----|-----|------|
| I_S | Safety input, output, or supply current | | | 240 | mA |
| T_S | Maximum case temperature | | | 150 | °C |

The safety-limiting constraint is the absolute maximum junction temperature specified in the absolute maximum ratings table. The power dissipation and junction-to-air thermal impedance of the device installed in the application hardware determines the junction temperature. The assumed junction-to-air thermal resistance in [Thermal Information](#) is that of a device installed in a Low-Effective Thermal Conductivity Test Board for Leaded Surface Mount Packages and is conservative. The power is the recommended maximum input voltage times the current. The junction temperature is then the ambient temperature plus the power times the junction-to-air thermal resistance.

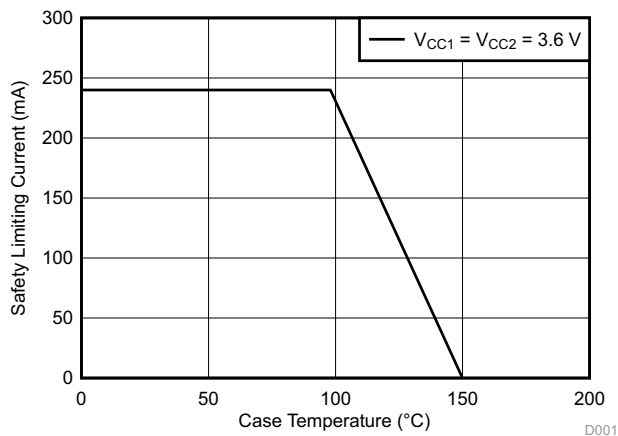


Figure 16. DW-16 θ_{JC} Thermal Derating Curve per VDE

9.4 Device Functional Modes

Table 1. Driver Function Table⁽¹⁾

| V_{CC1} | V_{CC2} | INPUT (D) | ENABLE INPUT (DE) | OUTPUTS ⁽²⁾ | |
|-----------|-----------|-----------|-------------------|------------------------|-------|
| | | | | Y / A | Z / B |
| PU | PU | H | H | H | L |
| PU | PU | L | H | L | H |
| PU | PU | X | L | Hi-Z | Hi-Z |
| PU | PU | X | OPEN | Hi-Z | Hi-Z |
| PU | PU | OPEN | H | H | L |
| PD | PU | X | X | Hi-Z | Hi-Z |
| PU | PD | X | X | Hi-Z | Hi-Z |
| PD | PD | X | X | Hi-Z | Hi-Z |

(1) PU = Powered Up; PD = Powered Down; H = Logic High; L = Logic Low; X = Irrelevant, Hi-Z = High Impedance (off)
 (2) Driver output pins are Y and Z for full-duplex devices and A & B for half-duplex devices.

Table 2. Receiver Function Table⁽¹⁾

| V_{CC1} | V_{CC2} | DIFFERENTIAL INPUT $V_{ID} = (V_A - V_B)$ | ENABLE (\overline{RE}) | OUTPUT (R) |
|-----------|-----------|--|-------------------------------|---------------|
| PU | PU | $-0.01\text{ V} \leq V_{ID}$ | L | H |
| PU | PU | $-0.2\text{ V} < V_{ID} < -0.01\text{ V}$ | L | ? |
| PU | PU | $V_{ID} \leq -0.2\text{ V}$ | L | L |
| PU | PU | X | H | Hi-Z |
| PU | PU | X | OPEN | Hi-Z |
| PU | PU | Open circuit | L | H |
| PU | PU | Short Circuit | L | H |
| PU | PU | Idle (terminated) bus | L | H |
| PD | PU | X | X | Hi-Z |
| PU | PD | X | L | H |

(1) PU = Powered Up; PD = Powered Down; H = Logic High; L = Logic Low; X = Irrelevant, Hi-Z = High Impedance (off), ? = Indeterminate

9.4.1 Device I/O Schematics

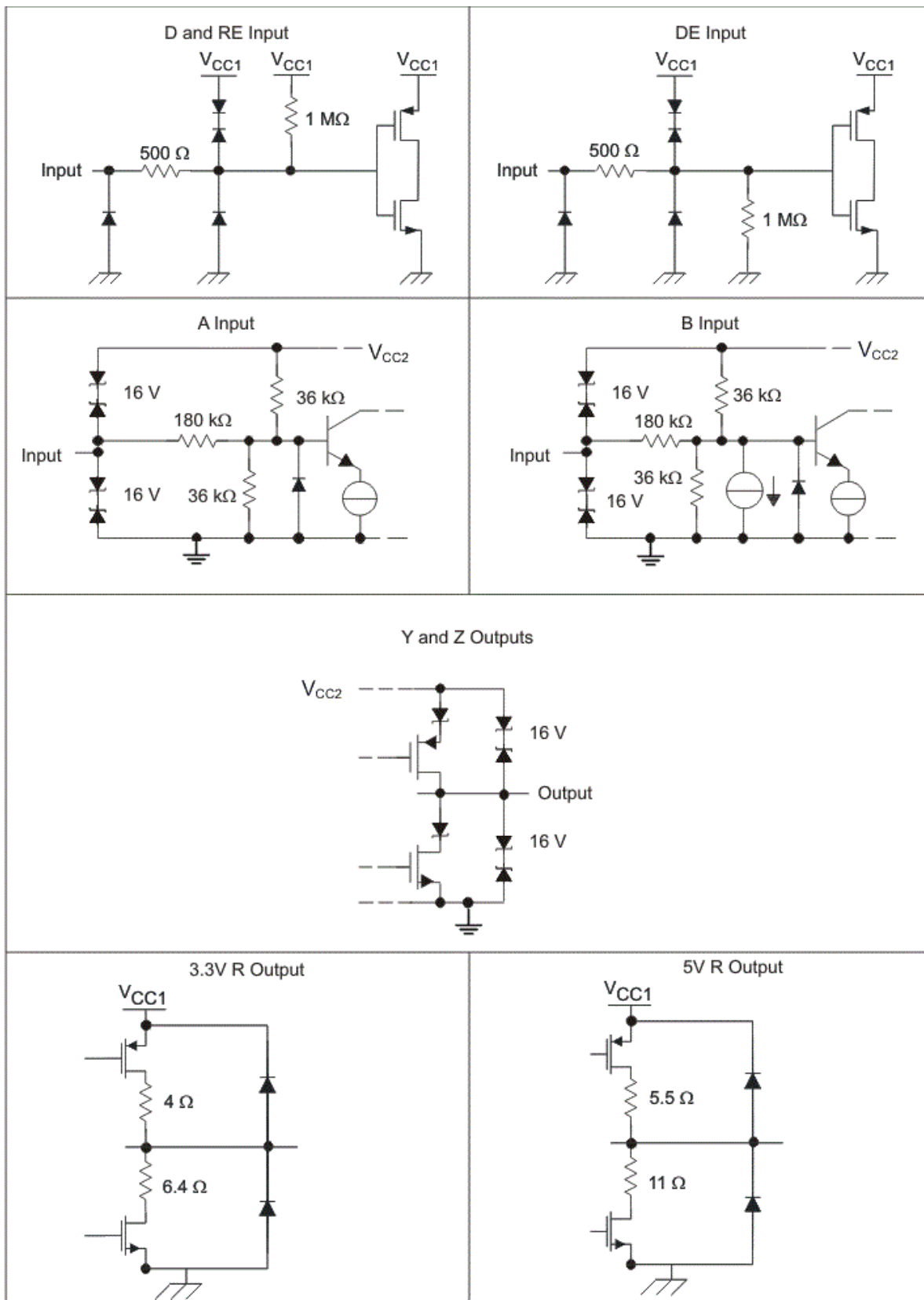


Figure 17. Device I/O Schematics

10 Application and Implementation

NOTE

Information in the following applications sections is not part of the TI component specification, and TI does not warrant its accuracy or completeness. TI's customers are responsible for determining suitability of components for their purposes. Customers should validate and test their design implementation to confirm system functionality.

10.1 Application Information

The ISO15x and ISO35x family consists of RS-485 transceivers commonly used for asynchronous data transmissions. Full-duplex implementation requires two signal pairs (four wires), and allows each node to transmit data on one pair while simultaneously receiving data on the other pair. For half-duplex transmission there is only one pair which shared for both transmission and reception of data. To eliminate line reflections, each cable end is terminated with a termination resistor, $R(T)$, whose value matches the characteristic impedance, Z_0 , of the cable. This method, known as parallel termination, allows for higher data rates over longer cable length.

10.2 Typical Application

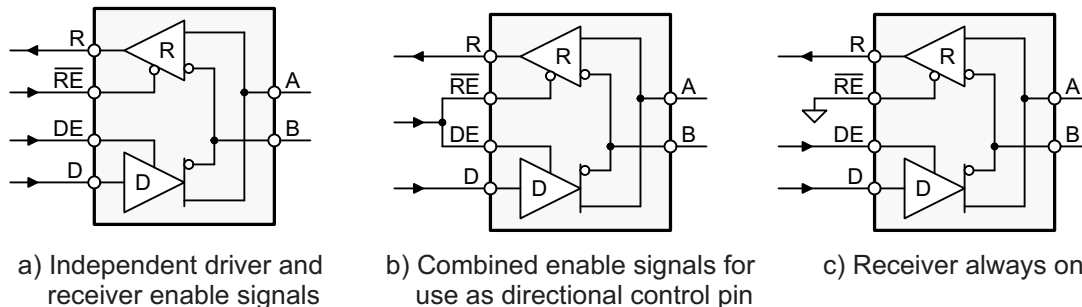


Figure 18. Half-Duplex Transceiver Configurations

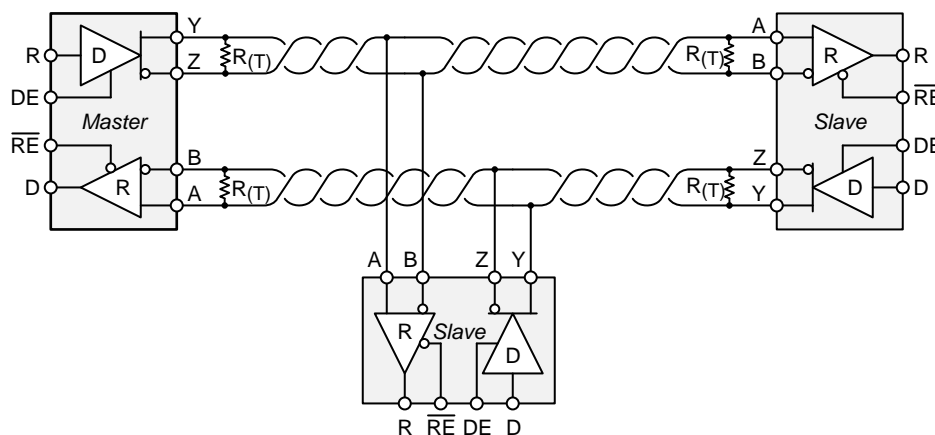


Figure 19. Typical RS-485 Network With Full-Duplex Transceivers

Typical Application (continued)

10.2.1 Design Requirements

RS-485 is a robust electrical standard suitable for long-distance networking that may be used in a wide range of applications with varying requirements, such as distance, data rate, and number of nodes.

Table 3. Design Parameters

| PARAMETER | VALUE |
|-------------------------------|-------------------------------|
| Pullup and Pulldown Resistors | 1 k Ω to 10 k Ω |
| Decoupling Capacitors | 100 nF |

10.2.2 Detailed Design Procedure

There is an inverse relationship between data rate and cable length, which means the higher the data rate, the shorter the cable length; and conversely, the lower the data rate, the longer the cable length. When connecting a node to the bus, the distance between the transceiver inputs and the cable trunk, known as the stub, should be as short as possible. Stubs present a nonterminated piece of bus line which can introduce reflections as the length of the stub increases. As a general guideline, the electrical length, or round-trip delay, of a stub should be less than one-tenth of the rise time of the driver. The RS-485 standard specifies that a compliant driver must be able to driver 32 unit loads (UL), where 1 unit load represents a load impedance of approximately 12 k Ω . Because these devices consists of 1/8 UL transceivers, connecting up to 256 receivers to the bus is possible.

10.2.3 Application Curve

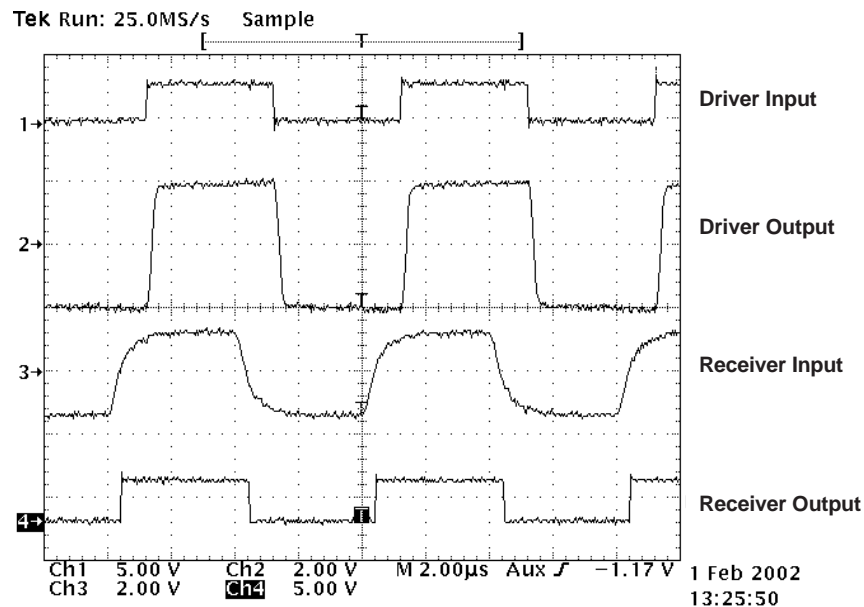


Figure 20. Typical Input and Output Waveforms

11 Power Supply Recommendations

To ensure reliable operation at all data rates and supply voltages, a 0.1- μ F bypass capacitor is recommended at input and output supply pins (V_{CC1} and V_{CC2}). The capacitors should be placed as close to the supply pins as possible. If only a single primary-side power supply is available in an application, isolated power can be generated for the secondary-side with the help of a transformer driver such as Texas Instruments' SN6501. For such applications, detailed power supply design and transformer selection recommendations are available in SN6501 data sheet ([SLLSEA0](#)).

12 Layout

12.1 Layout Guidelines

On-chip IEC-ESD protection is good for laboratory and portable equipment but never sufficient for EFT and surge transients occurring in industrial environments. Therefore robust and reliable bus node design requires the use of external transient protection devices. Because ESD and EFT transients have a wide frequency bandwidth from approximately 3-MHz to 3-GHz, highfrequency layout techniques must be applied during PCB design. A minimum of four layers is required to accomplish a low EMI PCB design (see [Figure 21](#)).

- Layer stacking should be in the following order (top-to-bottom): high-speed signal layer, ground plane, power plane and low-frequency signal layer.
- Place the protection circuitry close to the bus connector to prevent noise transients from penetrating the board.
- Use VCC and ground planes to provide low-inductance. High-frequency currents might follow the path of least inductance and not necessarily the path of least resistance.
- Design the protection components into the direction of the signal path. Do not force the transient currents to divert from the signal path to reach the protection device.
- Apply 100-nF to 220-nF bypass capacitors as close as possible to the VCC-pins of transceiver, UART, controller ICs on the board (see [Figure 21](#)).
- Use at least two vias for VCC and ground connections of bypass capacitors and protection devices to minimize effective via-inductance (see [Figure 21](#)).
- Use 1-k Ω to 10-k Ω pullup and pulldown resistors for enable lines to limit noise currents in these lines during transient events (see [Figure 21](#)).
- Insert pulse-proof resistors into the A and B bus lines if the TVS clamping voltage is higher than the specified maximum voltage of the transceiver bus pins. These resistors limit the residual clamping current into the transceiver and prevent it from latching up (see [Figure 21](#)).
- While pure TVS protection is sufficient for surge transients up to 1 kV, higher transients require metal-oxide varistors (MOVs) which reduce the transients to a few hundred volts of clamping voltage, and transient blocking units (TBUs) that limit transient current to less than 1 mA.
- Routing the high-speed traces on the top layer avoids the use of vias (and the introduction of their inductances) and allows for clean interconnects between the isolator and the transmitter and receiver circuits of the data link.
- Placing a solid ground plane next to the high-speed signal layer establishes controlled impedance for transmission line interconnects and provides an excellent low-inductance path for the return current flow.
- Placing the power plane next to the ground plane creates additional high-frequency bypass capacitance of approximately 100 pF/in².
- Routing the slower speed control signals on the bottom layer allows for greater flexibility as these signal links usually have margin to tolerate discontinuities such as vias.

If an additional supply voltage plane or signal layer is needed, add a second power and ground plane system to the stack to keep it symmetrical. This makes the stack mechanically stable and prevents it from warping. Also the power and ground plane of each power system can be placed closer together, thus increasing the high-frequency bypass capacitance significantly.

Layout Guidelines (continued)

NOTE

For detailed layout recommendations, see Application Note [SLLA284](#), *Digital Isolator Design Guide*.

12.2 Layout Example

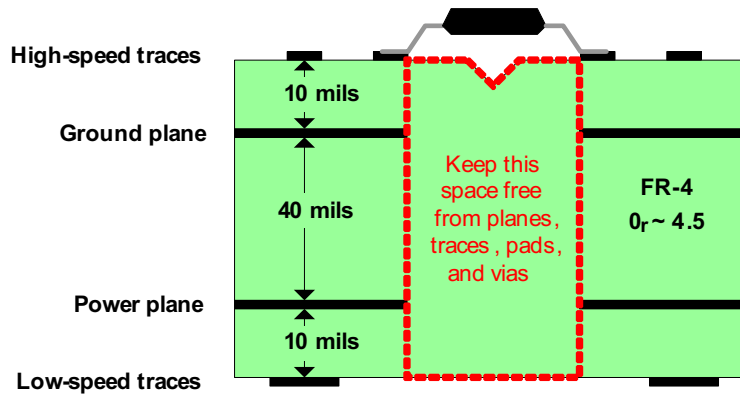


Figure 21. Recommended Layer Stack

13 Device and Documentation Support

13.1 Documentation Support

13.1.1 Related Documentation

For related documentation see the following:

- *Digital Isolator Design Guide*, [SLLSEA0](#)
- *Transformer Driver for Isolated Power Supplies*, [SLLA284](#)

13.2 Related Links

The table below lists quick access links. Categories include technical documents, support and community resources, tools and software, and quick access to sample or buy.

Table 4. Related Links

| PARTS | PRODUCT FOLDER | SAMPLE & BUY | TECHNICAL DOCUMENTS | TOOLS & SOFTWARE | SUPPORT & COMMUNITY |
|--------|----------------------------|----------------------------|----------------------------|----------------------------|----------------------------|
| ISO15 | Click here | Click here | Click here | Click here | Click here |
| ISO35 | Click here | Click here | Click here | Click here | Click here |
| ISO15M | Click here | Click here | Click here | Click here | Click here |
| ISO35M | Click here | Click here | Click here | Click here | Click here |

13.3 Trademarks

All trademarks are the property of their respective owners.

13.4 Electrostatic Discharge Caution



These devices have limited built-in ESD protection. The leads should be shorted together or the device placed in conductive foam during storage or handling to prevent electrostatic damage to the MOS gates.

13.5 Glossary

[SLYZ022](#) — *TI Glossary*.

This glossary lists and explains terms, acronyms, and definitions.

[SLLA353](#) -- *Isolation Glossary*.

14 Mechanical, Packaging, and Orderable Information

The following pages include mechanical, packaging, and orderable information. This information is the most current data available for the designated devices. This data is subject to change without notice and revision of this document. For browser-based versions of this data sheet, refer to the left-hand navigation.

PACKAGING INFORMATION

| Orderable Device | Status (1) | Package Type | Package Drawing | Pins | Package Qty | Eco Plan (2) | Lead finish/ Ball material (6) | MSL Peak Temp (3) | Op Temp (°C) | Device Marking (4/5) | Samples |
|------------------|---------------|--------------|-----------------|------|-------------|-----------------|--------------------------------------|----------------------|--------------|-------------------------|-------------------------|
| ISO15DW | ACTIVE | SOIC | DW | 16 | 40 | RoHS & Green | NIPDAU | Level-2-260C-1 YEAR | -40 to 85 | ISO15 | Samples |
| ISO15DWG4 | ACTIVE | SOIC | DW | 16 | 40 | RoHS & Green | NIPDAU | Level-2-260C-1 YEAR | -40 to 85 | ISO15 | Samples |
| ISO15DWR | ACTIVE | SOIC | DW | 16 | 2000 | RoHS & Green | NIPDAU | Level-2-260C-1 YEAR | -40 to 85 | ISO15 | Samples |
| ISO15MDW | ACTIVE | SOIC | DW | 16 | 40 | RoHS & Green | NIPDAU | Level-2-260C-1 YEAR | -55 to 125 | ISO15M | Samples |
| ISO15MDWR | ACTIVE | SOIC | DW | 16 | 2000 | RoHS & Green | NIPDAU | Level-2-260C-1 YEAR | -55 to 125 | ISO15M | Samples |
| ISO35DW | ACTIVE | SOIC | DW | 16 | 40 | RoHS & Green | NIPDAU | Level-2-260C-1 YEAR | -40 to 85 | ISO35 | Samples |
| ISO35DWG4 | ACTIVE | SOIC | DW | 16 | 40 | RoHS & Green | NIPDAU | Level-2-260C-1 YEAR | -40 to 85 | ISO35 | Samples |
| ISO35DWR | ACTIVE | SOIC | DW | 16 | 2000 | RoHS & Green | NIPDAU | Level-2-260C-1 YEAR | -40 to 85 | ISO35 | Samples |
| ISO35MDW | ACTIVE | SOIC | DW | 16 | 40 | RoHS & Green | NIPDAU | Level-2-260C-1 YEAR | -55 to 125 | ISO35M | Samples |
| ISO35MDWR | ACTIVE | SOIC | DW | 16 | 2000 | RoHS & Green | NIPDAU | Level-2-260C-1 YEAR | -55 to 125 | ISO35M | Samples |

(1) The marketing status values are defined as follows:

ACTIVE: Product device recommended for new designs.

LIFEBUY: TI has announced that the device will be discontinued, and a lifetime-buy period is in effect.

NRND: Not recommended for new designs. Device is in production to support existing customers, but TI does not recommend using this part in a new design.

PREVIEW: Device has been announced but is not in production. Samples may or may not be available.

OBSOLETE: TI has discontinued the production of the device.

(2) **RoHS:** TI defines "RoHS" to mean semiconductor products that are compliant with the current EU RoHS requirements for all 10 RoHS substances, including the requirement that RoHS substance do not exceed 0.1% by weight in homogeneous materials. Where designed to be soldered at high temperatures, "RoHS" products are suitable for use in specified lead-free processes. TI may reference these types of products as "Pb-Free".

RoHS Exempt: TI defines "RoHS Exempt" to mean products that contain lead but are compliant with EU RoHS pursuant to a specific EU RoHS exemption.

Green: TI defines "Green" to mean the content of Chlorine (Cl) and Bromine (Br) based flame retardants meet JS709B low halogen requirements of <=1000ppm threshold. Antimony trioxide based flame retardants must also meet the <=1000ppm threshold requirement.

(3) MSL, Peak Temp. - The Moisture Sensitivity Level rating according to the JEDEC industry standard classifications, and peak solder temperature.

(4) There may be additional marking, which relates to the logo, the lot trace code information, or the environmental category on the device.

⁽⁵⁾ Multiple Device Markings will be inside parentheses. Only one Device Marking contained in parentheses and separated by a "~" will appear on a device. If a line is indented then it is a continuation of the previous line and the two combined represent the entire Device Marking for that device.

⁽⁶⁾ Lead finish/Ball material - Orderable Devices may have multiple material finish options. Finish options are separated by a vertical ruled line. Lead finish/Ball material values may wrap to two lines if the finish value exceeds the maximum column width.

Important Information and Disclaimer:The information provided on this page represents TI's knowledge and belief as of the date that it is provided. TI bases its knowledge and belief on information provided by third parties, and makes no representation or warranty as to the accuracy of such information. Efforts are underway to better integrate information from third parties. TI has taken and continues to take reasonable steps to provide representative and accurate information but may not have conducted destructive testing or chemical analysis on incoming materials and chemicals. TI and TI suppliers consider certain information to be proprietary, and thus CAS numbers and other limited information may not be available for release.

In no event shall TI's liability arising out of such information exceed the total purchase price of the TI part(s) at issue in this document sold by TI to Customer on an annual basis.

TAPE AND REEL INFORMATION

QUADRANT ASSIGNMENTS FOR PIN 1 ORIENTATION IN TAPE


*All dimensions are nominal

| Device | Package Type | Package Drawing | Pins | SPQ | Reel Diameter (mm) | Reel Width W1 (mm) | A0 (mm) | B0 (mm) | K0 (mm) | P1 (mm) | W (mm) | Pin1 Quadrant |
|-----------|--------------|-----------------|------|------|--------------------|--------------------|---------|---------|---------|---------|--------|---------------|
| ISO15DWR | SOIC | DW | 16 | 2000 | 330.0 | 16.4 | 10.75 | 10.7 | 2.7 | 12.0 | 16.0 | Q1 |
| ISO15MDWR | SOIC | DW | 16 | 2000 | 330.0 | 16.4 | 10.75 | 10.7 | 2.7 | 12.0 | 16.0 | Q1 |
| ISO35DWR | SOIC | DW | 16 | 2000 | 330.0 | 16.4 | 10.75 | 10.7 | 2.7 | 12.0 | 16.0 | Q1 |
| ISO35MDWR | SOIC | DW | 16 | 2000 | 330.0 | 16.4 | 10.75 | 10.7 | 2.7 | 12.0 | 16.0 | Q1 |

TAPE AND REEL BOX DIMENSIONS


*All dimensions are nominal

| Device | Package Type | Package Drawing | Pins | SPQ | Length (mm) | Width (mm) | Height (mm) |
|-----------|--------------|-----------------|------|------|-------------|------------|-------------|
| ISO15DWR | SOIC | DW | 16 | 2000 | 350.0 | 350.0 | 43.0 |
| ISO15MDWR | SOIC | DW | 16 | 2000 | 350.0 | 350.0 | 43.0 |
| ISO35DWR | SOIC | DW | 16 | 2000 | 350.0 | 350.0 | 43.0 |
| ISO35MDWR | SOIC | DW | 16 | 2000 | 350.0 | 350.0 | 43.0 |

TUBE


*All dimensions are nominal

| Device | Package Name | Package Type | Pins | SPQ | L (mm) | W (mm) | T (μm) | B (mm) |
|-----------|--------------|--------------|------|-----|--------|--------|--------|--------|
| ISO15DW | DW | SOIC | 16 | 40 | 506.98 | 12.7 | 4826 | 6.6 |
| ISO15DWG4 | DW | SOIC | 16 | 40 | 506.98 | 12.7 | 4826 | 6.6 |
| ISO15MDW | DW | SOIC | 16 | 40 | 506.98 | 12.7 | 4826 | 6.6 |
| ISO35DW | DW | SOIC | 16 | 40 | 506.98 | 12.7 | 4826 | 6.6 |
| ISO35DWG4 | DW | SOIC | 16 | 40 | 506.98 | 12.7 | 4826 | 6.6 |
| ISO35MDW | DW | SOIC | 16 | 40 | 506.98 | 12.7 | 4826 | 6.6 |

GENERIC PACKAGE VIEW

DW 16

SOIC - 2.65 mm max height

7.5 x 10.3, 1.27 mm pitch

SMALL OUTLINE INTEGRATED CIRCUIT

This image is a representation of the package family, actual package may vary.
Refer to the product data sheet for package details.



4224780/A



DW0016B

PACKAGE OUTLINE SOIC - 2.65 mm max height

SOIC



4221009/B 07/2016

NOTES:

1. All linear dimensions are in millimeters. Dimensions in parenthesis are for reference only. Dimensioning and tolerancing per ASME Y14.5M.
2. This drawing is subject to change without notice.
3. This dimension does not include mold flash, protrusions, or gate burrs. Mold flash, protrusions, or gate burrs shall not exceed 0.15 mm, per side.
4. This dimension does not include interlead flash. Interlead flash shall not exceed 0.25 mm, per side.
5. Reference JEDEC registration MS-013.

EXAMPLE BOARD LAYOUT

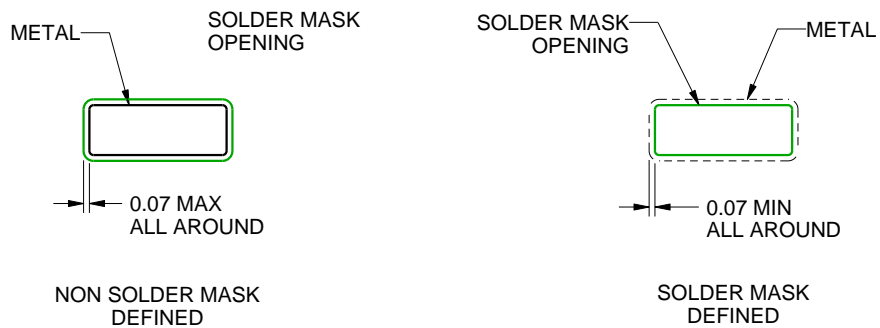
DW0016B

SOIC - 2.65 mm max height

SOIC



LAND PATTERN EXAMPLE
SCALE:4X



SOLDER MASK DETAILS

4221009/B 07/2016

NOTES: (continued)

- 6. Publication IPC-7351 may have alternate designs.
- 7. Solder mask tolerances between and around signal pads can vary based on board fabrication site.

EXAMPLE STENCIL DESIGN

DW0016B

SOIC - 2.65 mm max height

SOIC



NOTES: (continued)

8. Laser cutting apertures with trapezoidal walls and rounded corners may offer better paste release. IPC-7525 may have alternate design recommendations.
9. Board assembly site may have different recommendations for stencil design.

IMPORTANT NOTICE AND DISCLAIMER

TI PROVIDES TECHNICAL AND RELIABILITY DATA (INCLUDING DATA SHEETS), DESIGN RESOURCES (INCLUDING REFERENCE DESIGNS), APPLICATION OR OTHER DESIGN ADVICE, WEB TOOLS, SAFETY INFORMATION, AND OTHER RESOURCES "AS IS" AND WITH ALL FAULTS, AND DISCLAIMS ALL WARRANTIES, EXPRESS AND IMPLIED, INCLUDING WITHOUT LIMITATION ANY IMPLIED WARRANTIES OF MERCHANTABILITY, FITNESS FOR A PARTICULAR PURPOSE OR NON-INFRINGEMENT OF THIRD PARTY INTELLECTUAL PROPERTY RIGHTS.

These resources are intended for skilled developers designing with TI products. You are solely responsible for (1) selecting the appropriate TI products for your application, (2) designing, validating and testing your application, and (3) ensuring your application meets applicable standards, and any other safety, security, regulatory or other requirements.

These resources are subject to change without notice. TI grants you permission to use these resources only for development of an application that uses the TI products described in the resource. Other reproduction and display of these resources is prohibited. No license is granted to any other TI intellectual property right or to any third party intellectual property right. TI disclaims responsibility for, and you will fully indemnify TI and its representatives against, any claims, damages, costs, losses, and liabilities arising out of your use of these resources.

TI's products are provided subject to [TI's Terms of Sale](#) or other applicable terms available either on [ti.com](#) or provided in conjunction with such TI products. TI's provision of these resources does not expand or otherwise alter TI's applicable warranties or warranty disclaimers for TI products.

TI objects to and rejects any additional or different terms you may have proposed.

Mailing Address: Texas Instruments, Post Office Box 655303, Dallas, Texas 75265
Copyright © 2022, Texas Instruments Incorporated

X-ON Electronics

Largest Supplier of Electrical and Electronic Components

Click to view similar products for [Digital Isolators](#) category:

Click to view products by [Texas Instruments](#) manufacturer:

Other Similar products are found below :

[SI8642EA-B-IU](#) [141E61](#) [122E61](#) [163E60](#) [141E61Q](#) [140E61](#) [SSP5841ED](#) [CA-IS3763LN](#) [CA-IS3742LN](#) [160M60](#) [142E61](#) [140E31](#) [140M30](#)
[141E60Q](#) [140M61](#) [160U31](#) [BL7142WH](#) [BL7142WL](#) [CA-IS3741LN](#) [CA-IS3762LN](#) [CA-IS3730LW](#) [CA-IS3644HVW](#) [CA-IS3092VW](#) [CA-](#)
[IS3760HN](#) [CA-IS3730HW](#) [CA-IS3731LW](#) [CA-IS3761LW](#) [CA-IS2092VW](#) [CA-IS3763HN](#) [CA-IS3722HW](#) [CA-IS3211VBJ](#) [CA-IS3762LW](#)
[CA-IS3842LWW](#) [CA-IS3720LW](#) [SI8621BD-B-IS](#) [ISO7842FDWWR](#) [140U31](#) [161E61](#) [162E60](#) [162E61](#) [131E60](#) [163E61](#) [141E31](#) [162E31](#)
[160E60](#) [160E30](#) [130E61](#) [160M30](#) [BL7141WH](#) [CA-IS3211VCJ](#)