


LM19 2.4V, 10 μ A, TO-92 Temperature Sensor

Check for Samples: [LM19](#)

FEATURES

- Rated for Full -55°C to $+130^{\circ}\text{C}$ Range
- Available in a TO-92 Package
- Predictable Curvature Error
- Suitable for Remote Applications
- UL Recognized Component 

APPLICATIONS

- Cellular Phones
- Computers
- Power Supply Modules
- Battery Management
- FAX Machines
- Printers
- HVAC
- Disk Drives
- Appliances

KEY SPECIFICATIONS

- Accuracy at $+30^{\circ}\text{C}$ $\pm 2.5^{\circ}\text{C}$ (max)
- Accuracy at $+130^{\circ}\text{C}$ & -55°C ± 3.5 to $\pm 3.8^{\circ}\text{C}$ (max)
- Power Supply Voltage Range $+2.4\text{V}$ to $+5.5\text{V}$
- Current Drain $10\ \mu\text{A}$ (max)
- Nonlinearity $\pm 0.4\%$ (typ)
- Output Impedance $160\ \Omega$ (max)
- Load Regulation
 - $0\ \mu\text{A} < I_L < +16\ \mu\text{A}$

DESCRIPTION

The LM19 is a precision analog output CMOS integrated-circuit temperature sensor that operates over a -55°C to $+130^{\circ}\text{C}$ temperature range. The power supply operating range is $+2.4\ \text{V}$ to $+5.5\ \text{V}$. The transfer function of LM19 is predominately linear, yet has a slight predictable parabolic curvature. The accuracy of the LM19 when specified to a parabolic transfer function is $\pm 2.5^{\circ}\text{C}$ at an ambient temperature of $+30^{\circ}\text{C}$. The temperature error increases linearly and reaches a maximum of $\pm 3.8^{\circ}\text{C}$ at the temperature range extremes. The temperature range is affected by the power supply voltage. At a power supply voltage of $2.7\ \text{V}$ to $5.5\ \text{V}$ the temperature range extremes are $+130^{\circ}\text{C}$ and -55°C . Decreasing the power supply voltage to $2.4\ \text{V}$ changes the negative extreme to -30°C , while the positive remains at $+130^{\circ}\text{C}$.

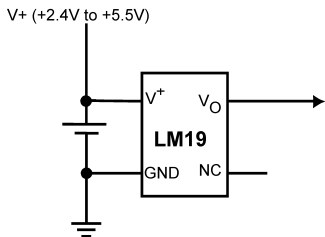
The LM19's quiescent current is less than $10\ \mu\text{A}$. Therefore, self-heating is less than 0.02°C in still air. Shutdown capability for the LM19 is intrinsic because its inherent low power consumption allows it to be powered directly from the output of many logic gates or does not necessitate shutdown at all.



Please be aware that an important notice concerning availability, standard warranty, and use in critical applications of Texas Instruments semiconductor products and disclaimers thereto appears at the end of this data sheet.

All trademarks are the property of their respective owners.

Typical Application



$$V_O = (-3.88 \times 10^{-6} \times T^2) + (-1.15 \times 10^{-2} \times T) + 1.8639$$

or

$$T = -1481.96 + \sqrt{2.1962 \times 10^6 + \frac{(1.8639 - V_O)}{3.88 \times 10^{-6}}}$$

where:

T is temperature, and V_O is the measured output voltage of the LM19.

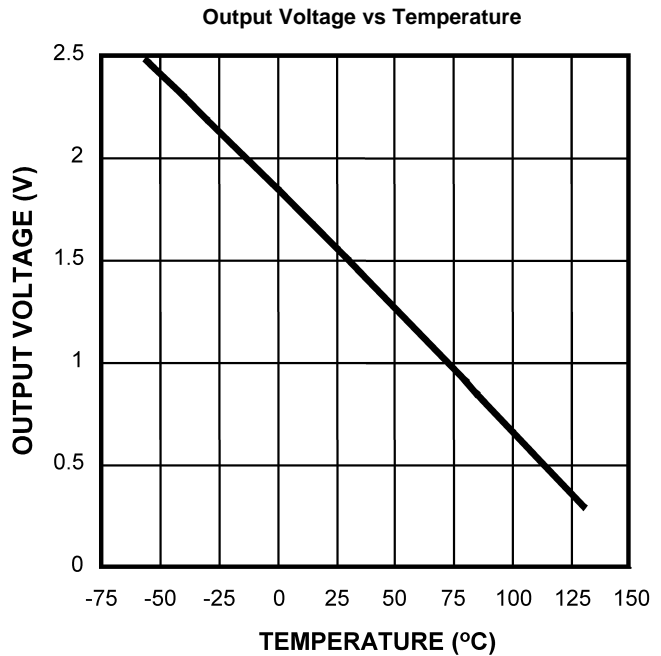


Figure 1. Full-Range Celsius (Centigrade) Temperature Sensor (–55°C to +130°C) Operating from a Single Li-Ion Battery Cell

| Temperature (T) | Typical V _O |
|-----------------|------------------------|
| +130°C | +303 mV |
| +100°C | +675 mV |
| +80°C | +919 mV |
| +30°C | +1515 mV |
| +25°C | +1574 mV |
| 0°C | +1863.9 mV |
| -30°C | +2205 mV |
| -40°C | +2318 mV |
| -55°C | +2485 mV |

Connection Diagram

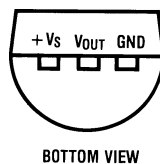


Figure 2. TO-92 Package Number LP



These devices have limited built-in ESD protection. The leads should be shorted together or the device placed in conductive foam during storage or handling to prevent electrostatic damage to the MOS gates.

Absolute Maximum Ratings⁽¹⁾

| | | | |
|---|------------------|-----------------------------|------------------------------------|
| Supply Voltage | | | +6.5V to -0.2V |
| Output Voltage | | | (V ⁺ + 0.6 V) to -0.6 V |
| Output Current | | | 10 mA |
| Input Current at any pin ⁽²⁾ | | | 5 mA |
| Storage Temperature | | | -65°C to +150°C |
| Maximum Junction Temperature (T _{JMAX}) | | | +150°C |
| ESD Susceptibility ⁽³⁾ | Human Body Model | | 2500 V |
| | Machine Model | | 250 V |
| Lead Temperature | TO-92 Package | Soldering (3 seconds dwell) | +240°C |

- (1) Absolute Maximum Ratings indicate limits beyond which damage to the device may occur. Operating Ratings indicate conditions for which the device is functional, but do not ensure specific performance limits. For ensured specifications and test conditions, see the Electrical Characteristics. The specified specifications apply only for the test conditions listed. Some performance characteristics may degrade when the device is not operated under the listed test conditions.
- (2) When the input voltage (V_I) at any pin exceeds power supplies (V_I < GND or V_I > V⁺), the current at that pin should be limited to 5 mA.
- (3) The human body model is a 100 pF capacitor discharged through a 1.5 kΩ resistor into each pin. The machine model is a 200 pF capacitor discharged directly into each pin.

Operating Ratings⁽¹⁾

| | | | |
|--|-------|--|--|
| Specified Temperature Range | | | T _{MIN} ≤ T _A ≤ T _{MAX} |
| 2.4 V ≤ V ⁺ ≤ 2.7 V | | | -30°C ≤ T _A ≤ +130°C |
| 2.7 V ≤ V ⁺ ≤ 5.5 V | | | -55°C ≤ T _A ≤ +130°C |
| Supply Voltage Range (V ⁺) | | | +2.4 V to +5.5 V |
| Thermal Resistance, θ _{JA} ⁽²⁾ | TO-92 | | 150°C/W |

- (1) Absolute Maximum Ratings indicate limits beyond which damage to the device may occur. Operating Ratings indicate conditions for which the device is functional, but do not ensure specific performance limits. For ensured specifications and test conditions, see the Electrical Characteristics. The specified specifications apply only for the test conditions listed. Some performance characteristics may degrade when the device is not operated under the listed test conditions.
- (2) The junction to ambient thermal resistance (θ_{JA}) is specified without a heat sink in still air.

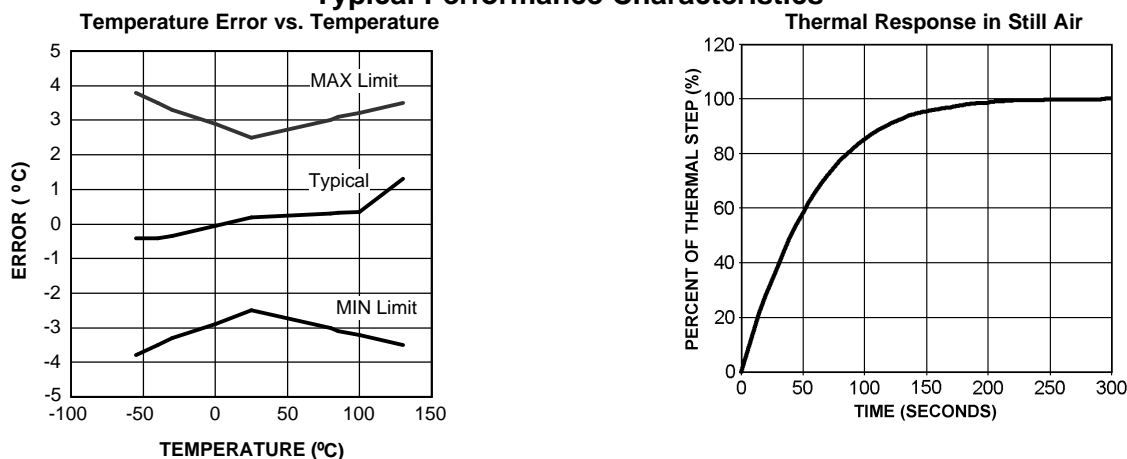
Electrical Characteristics

Unless otherwise noted, these specifications apply for $V^+ = +2.7 V_{DC}$. **Boldface limits apply for $T_A = T_J = T_{MIN}$ to T_{MAX}** ; all other limits $T_A = T_J = 25^\circ\text{C}$; Unless otherwise noted.

| Parameter | Conditions | Typical ⁽¹⁾ | LM19C | Units (Limit) |
|--|--|------------------------|------------------------------|--|
| | | | Limits ⁽²⁾ | |
| Temperature to Voltage Error $V_O = (-3.88 \times 10^{-6} \times T^2)$ $+ (-1.15 \times 10^{-2} \times T) + 1.8639 V^{(3)}$ | $T_A = +25^\circ\text{C}$ to $+30^\circ\text{C}$ | | ± 2.5 | $^\circ\text{C}$ (max) |
| | $T_A = +130^\circ\text{C}$ | | ± 3.5 | $^\circ\text{C}$ (max) |
| | $T_A = +125^\circ\text{C}$ | | ± 3.5 | $^\circ\text{C}$ (max) |
| | $T_A = +100^\circ\text{C}$ | | ± 3.2 | $^\circ\text{C}$ (max) |
| | $T_A = +85^\circ\text{C}$ | | ± 3.1 | $^\circ\text{C}$ (max) |
| | $T_A = +80^\circ\text{C}$ | | ± 3.0 | $^\circ\text{C}$ (max) |
| | $T_A = 0^\circ\text{C}$ | | ± 2.9 | $^\circ\text{C}$ (max) |
| | $T_A = -30^\circ\text{C}$ | | ± 3.3 | $^\circ\text{C}$ (min) |
| | $T_A = -40^\circ\text{C}$ | | ± 3.5 | $^\circ\text{C}$ (max) |
| | $T_A = -55^\circ\text{C}$ | | ± 3.8 | $^\circ\text{C}$ (max) |
| Output Voltage at 0°C | | +1.8639 | | V |
| Variance from Curve | | ± 1.0 | | $^\circ\text{C}$ |
| Non-Linearity ⁽⁴⁾ | $-20^\circ\text{C} \leq T_A \leq +80^\circ\text{C}$ | ± 0.4 | | % |
| Sensor Gain (Temperature Sensitivity or Average Slope) to equation: $V_O = -11.77 \text{ mV}/^\circ\text{C} \times T + 1.860 \text{ V}$ | $-30^\circ\text{C} \leq T_A \leq +100^\circ\text{C}$ | -11.77 | -11.0 -12.6 | mV/ $^\circ\text{C}$ (min) mV/ $^\circ\text{C}$ (max) |
| Output Impedance | $0 \mu\text{A} \leq I_L \leq +16 \mu\text{A}^{(5)(6)}$ | | 160 | Ω (max) |
| Load Regulation ⁽⁷⁾ | $0 \mu\text{A} \leq I_L \leq +16 \mu\text{A}^{(5)(6)}$ | | -2.5 | mV (max) |
| Line Regulation ⁽⁸⁾ | $+2.4 \text{ V} \leq V^+ \leq +5.0 \text{ V}$ | | +3.7 | mV/V (max) |
| | $+5.0 \text{ V} \leq V^+ \leq +5.5 \text{ V}$ | | +11 | mV (max) |
| Quiescent Current | $+2.4 \text{ V} \leq V^+ \leq +5.0 \text{ V}$ | 4.5 | 7 | μA (max) |
| | $+5.0 \text{ V} \leq V^+ \leq +5.5 \text{ V}$ | 4.5 | 9 | μA (max) |
| | $+2.4 \text{ V} \leq V^+ \leq +5.0 \text{ V}$ | 4.5 | 10 | μA (max) |
| Change of Quiescent Current | $+2.4 \text{ V} \leq V^+ \leq +5.5 \text{ V}$ | +0.7 | | μA |
| Temperature Coefficient of Quiescent Current | | -11 | | nA/ $^\circ\text{C}$ |
| Shutdown Current | $V^+ \leq +0.8 \text{ V}$ | 0.02 | | μA |

- (1) Typicals are at $T_J = T_A = 25^\circ\text{C}$ and represent most likely parametric norm.
- (2) Limits are ensured to AOQL (Average Outgoing Quality Level).
- (3) Accuracy is defined as the error between the measured and calculated output voltage at the specified conditions of voltage, current, and temperature (expressed in $^\circ\text{C}$).
- (4) Non-Linearity is defined as the deviation of the calculated output-voltage-versus-temperature curve from the best-fit straight line, over the temperature range specified.
- (5) Negative currents are flowing into the LM19. Positive currents are flowing out of the LM19. Using this convention the LM19 can at most sink $-1 \mu\text{A}$ and source $+16 \mu\text{A}$.
- (6) Load regulation or output impedance specifications apply over the supply voltage range of $+2.4 \text{ V}$ to $+5.5 \text{ V}$.
- (7) Regulation is measured at constant junction temperature, using pulse testing with a low duty cycle. Changes in output due to heating effects can be computed by multiplying the internal dissipation by the thermal resistance.
- (8) Line regulation is calculated by subtracting the output voltage at the highest supply input voltage from the output voltage at the lowest supply input voltage.

Typical Performance Characteristics



LM19 TRANSFER FUNCTION

The LM19's transfer function can be described in different ways with varying levels of precision. A simple linear transfer function, with good accuracy near 25°C, is

$$V_O = -11.69 \text{ mV}/^\circ\text{C} \times T + 1.8663 \text{ V} \quad (1)$$

Over the full operating temperature range of -55°C to +130°C, best accuracy can be obtained by using the parabolic transfer function

$$V_O = (-3.88 \times 10^{-6} \times T^2) + (-1.15 \times 10^{-2} \times T) + 1.8639 \quad (2)$$

solving for T:

$$T = -1481.96 + \sqrt{2.1962 \times 10^6 + \frac{(1.8639 - V_O)}{3.88 \times 10^{-6}}} \quad (3)$$

A linear transfer function can be used over a limited temperature range by calculating a slope and offset that give best results over that range. A linear transfer function can be calculated from the parabolic transfer function of the LM19. The slope of the linear transfer function can be calculated using the following equation:

$$m = -7.76 \times 10^{-6} \times T - 0.0115$$

where

- T is the middle of the temperature range of interest and m is in V/°C. (4)

For example for the temperature range of $T_{\min} = -30$ to $T_{\max} = +100^\circ\text{C}$:

$$T = 35^\circ\text{C}$$

and

$$m = -11.77 \text{ mV}/^\circ\text{C}$$

The offset of the linear transfer function can be calculated using the following equation:

$$b = (V_{OP}(T_{\max}) + V_{OP}(T) - m \times (T_{\max} + T))/2$$

where

- $V_{OP}(T_{\max})$ is the calculated output voltage at T_{\max} using the parabolic transfer function for V_O .
- $V_{OP}(T)$ is the calculated output voltage at T using the parabolic transfer function for V_O . (5)

Using this procedure the best fit linear transfer function for many popular temperature ranges was calculated in [Table 1](#). As shown in [Table 1](#) the error that is introduced by the linear transfer function increases with wider temperature ranges.

Table 1. First Order Equations Optimized For Different Temperature Ranges

| Temperature Range | | Linear Equation $V_{O=}$ | Maximum Deviation of Linear Equation from Parabolic Equation (°C) |
|-------------------|----------------|--|--|
| T_{min} (°C) | T_{max} (°C) | | |
| -55 | +130 | $-11.79 \text{ mV}/^{\circ}\text{C} \times T + 1.8528 \text{ V}$ | ± 1.41 |
| -40 | +110 | $-11.77 \text{ mV}/^{\circ}\text{C} \times T + 1.8577 \text{ V}$ | ± 0.93 |
| -30 | +100 | $-11.77 \text{ mV}/^{\circ}\text{C} \times T + 1.8605 \text{ V}$ | ± 0.70 |
| -40 | +85 | $-11.67 \text{ mV}/^{\circ}\text{C} \times T + 1.8583 \text{ V}$ | ± 0.65 |
| -10 | +65 | $-11.71 \text{ mV}/^{\circ}\text{C} \times T + 1.8641 \text{ V}$ | ± 0.23 |
| +35 | +45 | $-11.81 \text{ mV}/^{\circ}\text{C} \times T + 1.8701 \text{ V}$ | ± 0.004 |
| +20 | +30 | $-11.69 \text{ mV}/^{\circ}\text{C} \times T + 1.8663 \text{ V}$ | ± 0.004 |

Mounting

The LM19 can be applied easily in the same way as other integrated-circuit temperature sensors. It can be glued or cemented to a surface. The temperature that the LM19 is sensing will be within about $+0.02^{\circ}\text{C}$ of the surface temperature to which the LM19's leads are attached.

This presumes that the ambient air temperature is almost the same as the surface temperature; if the air temperature were much higher or lower than the surface temperature, the actual temperature measured would be at an intermediate temperature between the surface temperature and the air temperature.

To ensure good thermal conductivity the backside of the LM19 die is directly attached to the GND pin. The temperatures of the lands and traces to the other leads of the LM19 will also affect the temperature that is being sensed.

Alternatively, the LM19 can be mounted inside a sealed-end metal tube, and can then be dipped into a bath or screwed into a threaded hole in a tank. As with any IC, the LM19 and accompanying wiring and circuits must be kept insulated and dry, to avoid leakage and corrosion. This is especially true if the circuit may operate at cold temperatures where condensation can occur. Printed-circuit coatings and varnishes such as Humiseal and epoxy paints or dips are often used to ensure that moisture cannot corrode the LM19 or its connections.

The thermal resistance junction to ambient (θ_{JA}) is the parameter used to calculate the rise of a device junction temperature due to its power dissipation. For the LM19 the equation used to calculate the rise in the die temperature is as follows:

$$T_J = T_A + \theta_{JA} [(V^+ I_Q) + (V^+ - V_O) I_L]$$

where

- I_Q is the quiescent current and I_L is the load current on the output. (6)

Since the LM19's junction temperature is the actual temperature being measured care should be taken to minimize the load current that the LM19 is required to drive.

[Table 2](#) summarizes the rise in die temperature of the LM19 without any loading, and the thermal resistance for different conditions.

Table 2. Temperature Rise of LM19 Due to Self-Heating and Thermal Resistance (θ_{JA})

| | TO-92 | | TO-92 | |
|------------|---------------|-------------|----------------|-------------|
| | no heat sink | | small heat fin | |
| | θ_{JA} | $T_J - T_A$ | θ_{JA} | $T_J - T_A$ |
| | (°C/W) | (°C) | (°C/W) | (°C) |
| Still air | 150 | TBD | TBD | TBD |
| Moving air | TBD | TBD | TBD | TBD |

Capacitive Loads

The LM19 handles capacitive loading well. Without any precautions, the LM19 can drive any capacitive load less than 300 pF as shown in Figure 3. Over the specified temperature range the LM19 has a maximum output impedance of 160 Ω. In an extremely noisy environment it may be necessary to add some filtering to minimize noise pickup. It is recommended that 0.1 μF be added from V⁺ to GND to bypass the power supply voltage, as shown in Figure 4. In a noisy environment it may even be necessary to add a capacitor from the output to ground with a series resistor as shown in Figure 4. A 1 μF output capacitor with the 160 Ω maximum output impedance and a 200 Ω series resistor will form a 442 Hz lowpass filter. Since the thermal time constant of the LM19 is much slower, the overall response time of the LM19 will not be significantly affected.

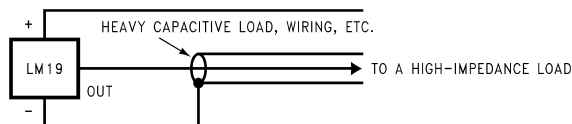
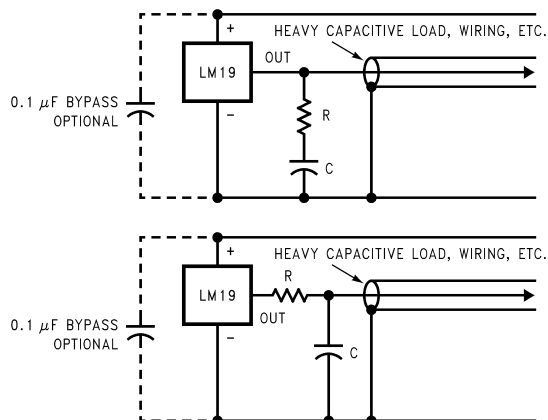


Figure 3. LM19 No Decoupling Required for Capacitive Loads Less than 300 pF



Either placement of resistor as shown above is just as effective.

Figure 4. LM19 with Filter for Noisy Environment and Capacitive Loading greater than 300 pF

Table 3. LM19 with Filter for Noisy Environment and Capacitive Loading greater than 300 pF

| R (Ω) | C (μF) |
|-------|--------|
| 200 | 1 |
| 470 | 0.1 |
| 680 | 0.01 |
| 1 k | 0.001 |

Applications Circuits

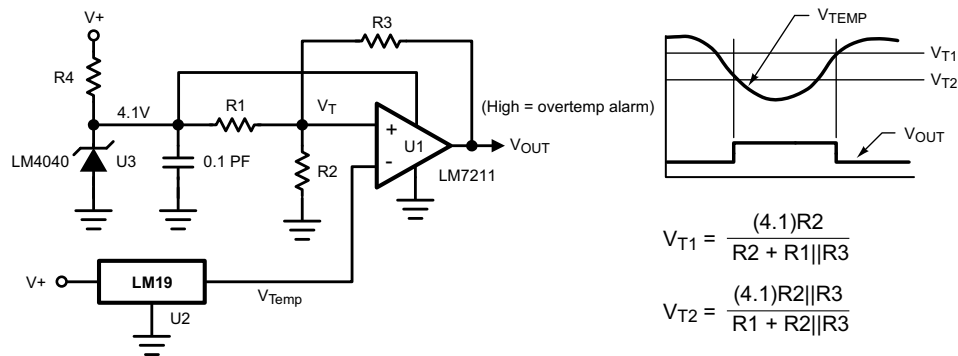


Figure 5. Centigrade Thermostat

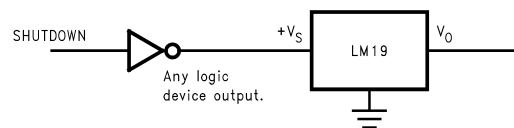


Figure 6. Conserving Power Dissipation with Shutdown

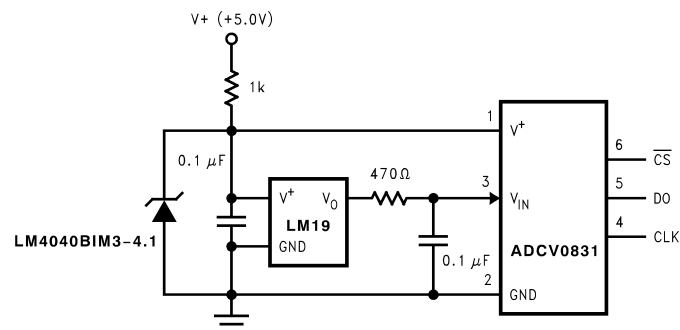




Figure 7. Suggested Connection to a Sampling Analog to Digital Converter Input Stage

Most CMOS ADCs found in ASICs have a sampled data comparator input structure that is notorious for causing grief to analog output devices such as the LM19 and many op amps. The cause of this grief is the requirement of instantaneous charge of the input sampling capacitor in the ADC. This requirement is easily accommodated by the addition of a capacitor. Since not all ADCs have identical input stages, the charge requirements will vary necessitating a different value of compensating capacitor. This ADC is shown as an example only. If a digital output temperature is required please refer to devices such as the LM74.

REVISION HISTORY

| Changes from Revision D (March 2013) to Revision E | Page |
|--|----------------|
| <hr/> <ul style="list-style-type: none">• Changed layout of National Data Sheet to TI format | <hr/> 8 |

PACKAGING INFORMATION

| Orderable Device | Status (1) | Package Type | Package Drawing | Pins | Package Qty | Eco Plan (2) | Lead finish/ Ball material (6) | MSL Peak Temp (3) | Op Temp (°C) | Device Marking (4/5) | Samples |
|------------------|---------------|--------------|-----------------|------|-------------|-----------------|--------------------------------------|----------------------|--------------|-------------------------|---|
| LM19CIZ/LFT4 | ACTIVE | TO-92 | LP | 3 | 2000 | RoHS & Green | SN | N / A for Pkg Type | | LM19 CIZ |  |
| LM19CIZ/NOPB | ACTIVE | TO-92 | LP | 3 | 1800 | RoHS & Green | SN | N / A for Pkg Type | -55 to 130 | LM19 CIZ |  |

(1) The marketing status values are defined as follows:

ACTIVE: Product device recommended for new designs.

LIFEBUY: TI has announced that the device will be discontinued, and a lifetime-buy period is in effect.

NRND: Not recommended for new designs. Device is in production to support existing customers, but TI does not recommend using this part in a new design.

PREVIEW: Device has been announced but is not in production. Samples may or may not be available.

OBsolete: TI has discontinued the production of the device.

(2) **RoHS:** TI defines "RoHS" to mean semiconductor products that are compliant with the current EU RoHS requirements for all 10 RoHS substances, including the requirement that RoHS substance do not exceed 0.1% by weight in homogeneous materials. Where designed to be soldered at high temperatures, "RoHS" products are suitable for use in specified lead-free processes. TI may reference these types of products as "Pb-Free".

RoHS Exempt: TI defines "RoHS Exempt" to mean products that contain lead but are compliant with EU RoHS pursuant to a specific EU RoHS exemption.

Green: TI defines "Green" to mean the content of Chlorine (Cl) and Bromine (Br) based flame retardants meet JS709B low halogen requirements of <=1000ppm threshold. Antimony trioxide based flame retardants must also meet the <=1000ppm threshold requirement.

(3) MSL, Peak Temp. - The Moisture Sensitivity Level rating according to the JEDEC industry standard classifications, and peak solder temperature.

(4) There may be additional marking, which relates to the logo, the lot trace code information, or the environmental category on the device.

(5) Multiple Device Markings will be inside parentheses. Only one Device Marking contained in parentheses and separated by a "~" will appear on a device. If a line is indented then it is a continuation of the previous line and the two combined represent the entire Device Marking for that device.

(6) Lead finish/Ball material - Orderable Devices may have multiple material finish options. Finish options are separated by a vertical ruled line. Lead finish/Ball material values may wrap to two lines if the finish value exceeds the maximum column width.

Important Information and Disclaimer:The information provided on this page represents TI's knowledge and belief as of the date that it is provided. TI bases its knowledge and belief on information provided by third parties, and makes no representation or warranty as to the accuracy of such information. Efforts are underway to better integrate information from third parties. TI has taken and continues to take reasonable steps to provide representative and accurate information but may not have conducted destructive testing or chemical analysis on incoming materials and chemicals. TI and TI suppliers consider certain information to be proprietary, and thus CAS numbers and other limited information may not be available for release.

In no event shall TI's liability arising out of such information exceed the total purchase price of the TI part(s) at issue in this document sold by TI to Customer on an annual basis.

GENERIC PACKAGE VIEW

LP 3

TO-92 - 5.34 mm max height

TRANSISTOR OUTLINE



Images above are just a representation of the package family, actual package may vary.
Refer to the product data sheet for package details.

4040001-2/F

LP0003A



PACKAGE OUTLINE

TO-92 - 5.34 mm max height

TO-92



4215214/B 04/2017

NOTES:

1. All linear dimensions are in millimeters. Any dimensions in parenthesis are for reference only. Dimensioning and tolerancing per ASME Y14.5M.
2. This drawing is subject to change without notice.
3. Lead dimensions are not controlled within this area.
4. Reference JEDEC TO-226, variation AA.
5. Shipping method:
 - a. Straight lead option available in bulk pack only.
 - b. Formed lead option available in tape and reel or ammo pack.
 - c. Specific products can be offered in limited combinations of shipping medium and lead options.
 - d. Consult product folder for more information on available options.



LAND PATTERN EXAMPLE
STRAIGHT LEAD OPTION
NON-SOLDER MASK DEFINED
SCALE:15X



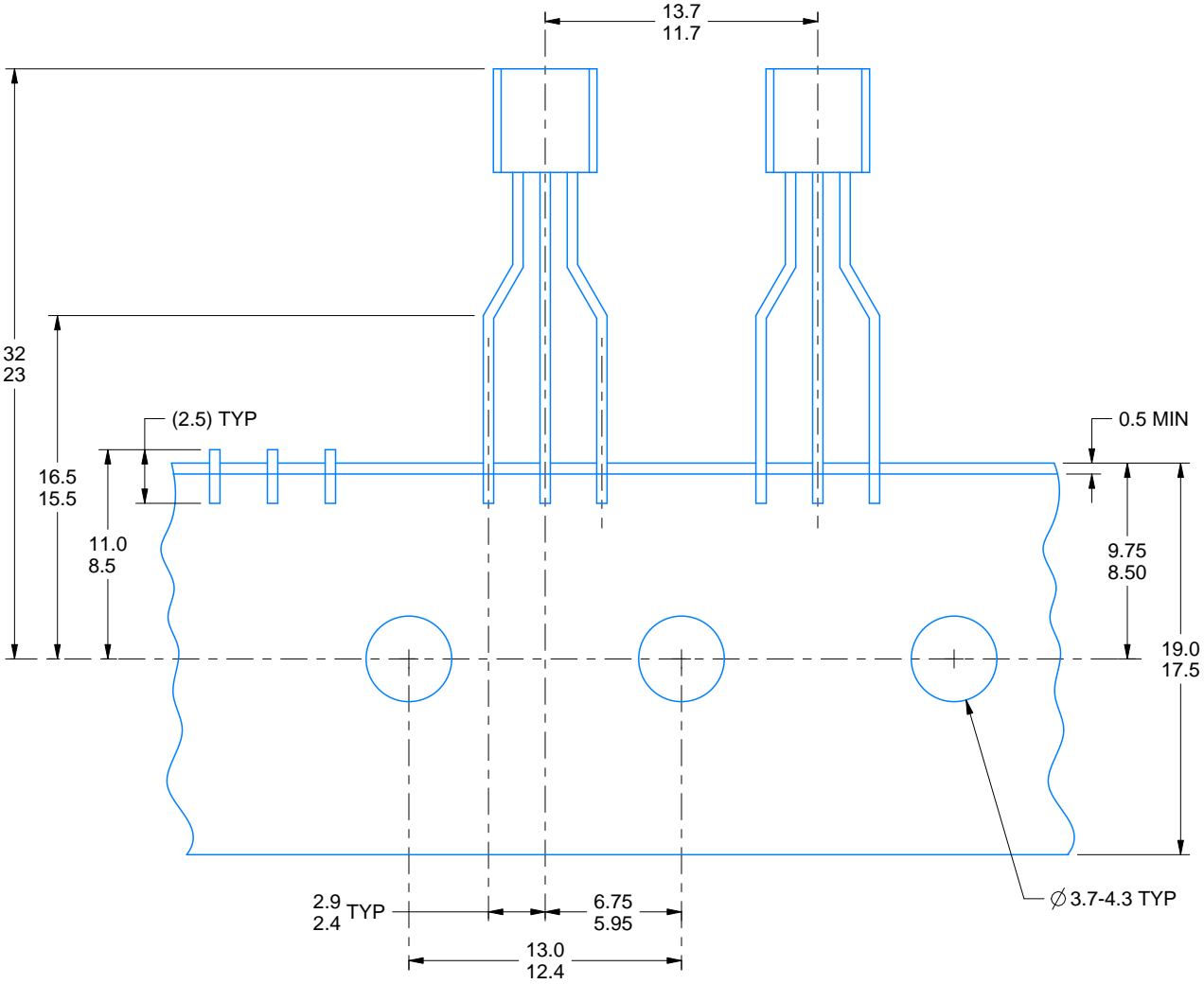
LAND PATTERN EXAMPLE
FORMED LEAD OPTION
NON-SOLDER MASK DEFINED
SCALE:15X

TAPE SPECIFICATIONS

LP0003A

TO-92 - 5.34 mm max height

TO-92



FOR FORMED LEAD OPTION PACKAGE

4215214/B 04/2017

IMPORTANT NOTICE AND DISCLAIMER

TI PROVIDES TECHNICAL AND RELIABILITY DATA (INCLUDING DATASHEETS), DESIGN RESOURCES (INCLUDING REFERENCE DESIGNS), APPLICATION OR OTHER DESIGN ADVICE, WEB TOOLS, SAFETY INFORMATION, AND OTHER RESOURCES "AS IS" AND WITH ALL FAULTS, AND DISCLAIMS ALL WARRANTIES, EXPRESS AND IMPLIED, INCLUDING WITHOUT LIMITATION ANY IMPLIED WARRANTIES OF MERCHANTABILITY, FITNESS FOR A PARTICULAR PURPOSE OR NON-INFRINGEMENT OF THIRD PARTY INTELLECTUAL PROPERTY RIGHTS.

These resources are intended for skilled developers designing with TI products. You are solely responsible for (1) selecting the appropriate TI products for your application, (2) designing, validating and testing your application, and (3) ensuring your application meets applicable standards, and any other safety, security, or other requirements. These resources are subject to change without notice. TI grants you permission to use these resources only for development of an application that uses the TI products described in the resource. Other reproduction and display of these resources is prohibited. No license is granted to any other TI intellectual property right or to any third party intellectual property right. TI disclaims responsibility for, and you will fully indemnify TI and its representatives against, any claims, damages, costs, losses, and liabilities arising out of your use of these resources.

TI's products are provided subject to TI's Terms of Sale (www.ti.com/legal/termsofsale.html) or other applicable terms available either on ti.com or provided in conjunction with such TI products. TI's provision of these resources does not expand or otherwise alter TI's applicable warranties or warranty disclaimers for TI products.

Mailing Address: Texas Instruments, Post Office Box 655303, Dallas, Texas 75265
Copyright © 2020, Texas Instruments Incorporated

X-ON Electronics

Largest Supplier of Electrical and Electronic Components

Click to view similar products for [Board Mount Temperature Sensors](#) *category:*

Click to view products by [Texas Instruments](#) *manufacturer:*

Other Similar products are found below :

[66F115](#) [3610085020002](#) [389049M9527](#) [MIKROE-912](#) [ADM1023ARQZ-REEL](#) [ADM1032ARMZ-1RL](#) [ADT7481ARMZ-REEL](#)
[ADT7463ARQZ-REEL](#) [66L080-0226](#) [S-58LM20A-I4T1U](#) [NCT375MNR2G](#) [NCT80DBR2G](#) [SEN-16304](#) [X96012V14I](#) [NCT1008CMN3R2G](#)
[NCT1008DMN3R2G](#) [NVT211CMTR2G](#) [GX112XA](#) [GX112XT](#) [NTSA3104GP014](#) [DS18B20A10](#) [GX36](#) [GXTR304Q](#) [GX75CU](#) [GX36Z](#)
[GXHTV3C](#) [GXTS02S](#) [GX101S](#) [GX112XE](#) [GX75C](#) [GX21M15D](#) [HT18B20ARTZ](#) [DS18B20U-HXY](#) [AT30TS74-UFM10-T-072](#)
[MCP9800A1T-M/OT](#) [TMP114AIYMTR](#) [TMP126EDCKRQ1](#) [NTSA3103FVA42](#) [NTSA3104HZ048](#) [LM35CZ/LFT1](#) [GXHT3WC](#) [GXTS04D](#)
[MLX90640ESF-BAA-000-TU](#) [GXT310T0](#) [TMP1827NNGRR](#) [GXT310W0](#) [GX112XTE](#) [TMP119AIYBGR](#) [TMP1826NGRR](#)
[TC6501P065VCTTR](#)