

LM34 Precision Fahrenheit Temperature Sensors

1 Features

- Calibrated Directly in Degrees Fahrenheit
- Linear 10.0 mV/°F Scale Factor
- 1.0°F Accuracy Assured (at 77°F)
- Rated for Full –50° to 300°F Range
- Suitable for Remote Applications
- Low Cost Due to Wafer-Level Trimming
- Operates From 5 to 30 Volts
- Less Than 90- μ A Current Drain
- Low Self-Heating, 0.18°F in Still Air
- Nonlinearity Only $\pm 0.5^\circ\text{F}$ Typical
- Low-Impedance Output, 0.4 Ω for 1-mA Load

2 Applications

- Power Supplies
- Battery Management
- HVAC
- Appliances

3 Description

The LM34 series devices are precision integrated-circuit temperature sensors, whose output voltage is linearly proportional to the Fahrenheit temperature. The LM34 device has an advantage over linear temperature sensors calibrated in degrees Kelvin, because the user is not required to subtract a large constant voltage from its output to obtain convenient Fahrenheit scaling. The LM34 device does not require any external calibration or trimming to provide typical accuracies of $\pm 1/2^\circ\text{F}$ at room temperature and $\pm 1-1/2^\circ\text{F}$ over a full -50°F to 300°F temperature range. Lower cost is assured by trimming and calibration at the wafer level. The low output impedance, linear output, and precise inherent calibration of the LM34 device makes interfacing to readout or control circuitry especially easy. It can be used with single power supplies or with plus and minus supplies. Because the LM34 device draws only 75 μA from its supply, the device has very low self-heating, less than 0.2°F in still air.

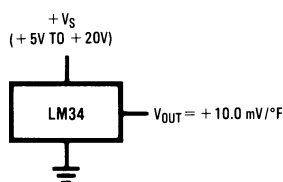
The LM34 device is rated to operate over a -50°F to 300°F temperature range, while the LM34C is rated for a -40°F to 230°F range (0°F with improved accuracy). The LM34 devices are series is available packaged in hermetic TO-46 transistor packages; while the LM34C, LM34CA, and LM34D are available in the plastic TO-92 transistor package. The LM34D device is available in an 8-lead, surface-mount, small-outline package. The LM34 device is a complement to the LM35 device (Centigrade) temperature sensor.

Device Information⁽¹⁾

| PART NUMBER | PACKAGE | BODY SIZE (NOM) |
|-------------|-----------|---------------------|
| LM34 | SOIC (8) | 4.90 mm x 3.91 mm |
| | TO-92 (3) | 4.30 mm x 4.30 mm |
| | TO-46 (3) | 4.699 mm x 4.699 mm |

(1) For all available packages, see the orderable addendum at the end of the data sheet.

Basic Fahrenheit Temperature Sensor (5°F to 300°F)



Full-Range Fahrenheit Temperature Sensor

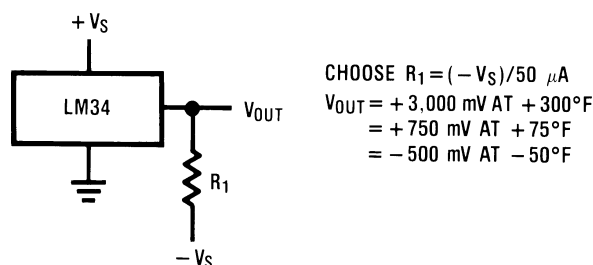


Table of Contents

| | | | |
|--|-----------|--|-----------|
| 1 Features | 1 | 7.3 Feature Description | 11 |
| 2 Applications | 1 | 7.4 Device Functional Modes | 12 |
| 3 Description | 1 | 8 Application and Implementation | 13 |
| 4 Revision History | 2 | 8.1 Application Information | 13 |
| 5 Pin Configuration and Functions | 3 | 8.2 Typical Application | 13 |
| 6 Specifications | 4 | 8.3 System Examples | 14 |
| 6.1 Absolute Maximum Ratings | 4 | 9 Power Supply Recommendations | 16 |
| 6.2 ESD Ratings | 4 | 10 Layout | 16 |
| 6.3 Recommended Operating Conditions | 4 | 10.1 Layout Guidelines | 16 |
| 6.4 Thermal Information | 4 | 10.2 Layout Example | 17 |
| 6.5 Electrical Characteristics: LM34A and LM34CA | 5 | 11 Device and Documentation Support | 18 |
| 6.6 Electrical Characteristics: LM34, LM34C, and LM34D | 7 | 11.1 Trademarks | 18 |
| 6.7 Typical Characteristics | 9 | 11.2 Electrostatic Discharge Caution | 18 |
| 7 Detailed Description | 11 | 11.3 Glossary | 18 |
| 7.1 Overview | 11 | 12 Mechanical, Packaging, and Orderable Information | 18 |
| 7.2 Functional Block Diagram | 11 | | |

4 Revision History

Changes from Revision C (January 2015) to Revision D Page

- Changed NDV Package (TO-46) pinout from Top View to Bottom View

3

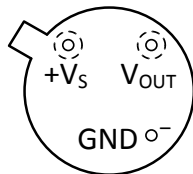
Changes from Revision B (November 2000) to Revision C Page

- Added *ESD Ratings* table, *Feature Description* section, *Device Functional Modes*, *Application and Implementation* section, *Power Supply Recommendations* section, *Layout* section, *Device and Documentation Support* section, and *Mechanical, Packaging, and Orderable Information* section.

1

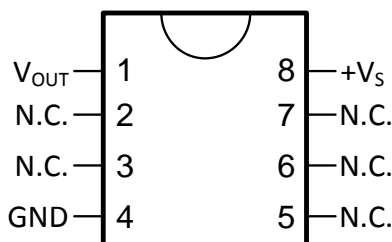
5 Pin Configuration and Functions

**NDV Package
3-Pin TO-46
(Bottom View)**



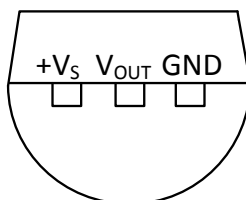
Case is connected to negative pin (GND)

**D Package
8-Pin SO8
(Top View)**



N.C. = No connection

**LP Package
3-Pin TO-92
(Bottom View)**



Pin Functions

| NAME | PIN | | | TYPE | DESCRIPTION |
|------------------|----------|---------|-------|-------|--|
| | TO46/NDV | TO92/LP | SO8/D | | |
| +Vs | — | — | 8 | POWER | Positive power supply pin |
| V _{OUT} | — | — | 1 | O | Temperature Sensor Analog Output |
| GND | — | — | 4 | GND | Device ground pin, connect to power supply negative terminal |
| N.C. | — | — | 2 | — | No Connection |
| | | | 3 | | |
| | | | 5 | | |
| | | | 6 | | |
| | | | 7 | | |

6 Specifications

6.1 Absolute Maximum Ratings⁽¹⁾⁽²⁾

over operating free-air temperature range (unless otherwise noted)

| | | MIN | MAX | UNIT |
|--------------------------------|---------------|-----|------|------|
| Supply voltage | | 35 | -0.2 | V |
| Output voltage | | 6 | -1 | V |
| Output current | | | 10 | mA |
| Storage temperature, T_{stg} | TO-46 Package | -76 | 356 | °F |
| | TO-92 Package | -76 | 300 | |
| | SO-8 Package | -65 | 150 | |

- Stresses beyond those listed under *Absolute Maximum Ratings* may cause permanent damage to the device. These are stress ratings only, which do not imply functional operation of the device at these or any other conditions beyond those indicated under *Recommended Operating Conditions*. Exposure to absolute-maximum-rated conditions for extended periods may affect device reliability.
- If Military/Aerospace specified devices are required, contact the Texas Instruments Sales Office/ Distributors for availability and specifications.

6.2 ESD Ratings

| | | | VALUE | UNIT |
|-------------|-------------------------|---|-------|------|
| $V_{(ESD)}$ | Electrostatic discharge | Human-body model (HBM), per ANSI/ESDA/JEDEC JS-001 ⁽¹⁾ | ±2500 | V |

- JEDEC document JEP155 states that 500-V HBM allows safe manufacturing with a standard ESD control process.

6.3 Recommended Operating Conditions

over operating free-air temperature range (unless otherwise noted)

| | | MIN | MAX | UNIT |
|--|---------------|-----|-----|------|
| Specified operating temperature range ($T_{MIN} \leq T_A \leq T_{MAX}$) | LM34, LM34A | -50 | 300 | °F |
| | LM34C, LM34CA | -40 | 230 | |
| | LM34D | 32 | 212 | |
| Supply Voltage Range (+ V_S) | | 4 | 30 | V |

6.4 Thermal Information

| THERMAL METRIC ⁽¹⁾ | | LM34 | | | UNIT |
|-------------------------------|--|-------------|------------|---------|------|
| | | NDV (TO-46) | LP (TO-92) | D (SO8) | |
| | | 3 PINS | 3 PINS | 8 PINS | |
| $R_{\theta JA}$ | Junction-to-ambient thermal resistance | 720 | 324 | 400 | °F/W |
| $R_{\theta JC}$ | Junction-to-case thermal resistance | 43 | — | — | |

- For more information about traditional and new thermal metrics, see the *IC Package Thermal Metrics* application report, [SPRA953](#).

6.5 Electrical Characteristics: LM34A and LM34CA

Unless otherwise noted, these specifications apply: $-50^{\circ}\text{F} \leq T_J \leq 300^{\circ}\text{F}$ for the LM34 and LM34A; $-40^{\circ}\text{F} \leq T_J \leq 230^{\circ}\text{F}$ for the LM34C and LM34CA; and $32^{\circ}\text{F} \leq T_J \leq 212^{\circ}\text{F}$ for the LM34D. $V_S = 5\text{ Vdc}$ and $I_{\text{LOAD}} = 50\ \mu\text{A}$ in the circuit of [Full-Range Fahrenheit Temperature Sensor](#); 6 Vdc for LM34 and LM34A for $230^{\circ}\text{F} \leq T_J \leq 300^{\circ}\text{F}$. These specifications also apply from 5°F to T_{MAX} in the circuit of [Basic Fahrenheit Temperature Sensor \(5°F to 300°F\)](#).

| PARAMETER | TEST CONDITIONS | | LM34A | | | LM34CA | | | UNIT |
|--------------------------------|--|-----------------------------|-------|-------|------|--------|-------|-------|-------|
| | | | MIN | TYP | MAX | MIN | TYP | MAX | |
| Accuracy ⁽¹⁾ | $T_A = 77^{\circ}\text{F}$ | Tested Limit ⁽²⁾ | -1 | | 1 | -1 | | 1 | °F |
| | | Design Limit ⁽³⁾ | | | | | | | |
| | | | | ±0.4 | | | ±0.4 | | |
| | $T_A = 0^{\circ}\text{F}$ | Tested Limit | | | | | | | °F |
| | | Design Limit | | | | -2 | | 2 | |
| | | | | ±0.6 | | | ±0.6 | | |
| | $T_A = T_{\text{MAX}}$ | Tested Limit | | | | | | | °F |
| | | Design Limit | | | | | | | |
| | | | | ±0.8 | | | ±0.8 | | |
| | $T_A = T_{\text{MIN}}$ | Tested Limit | | | | | | | °F |
| | | Design Limit | | | | -3 | | 3 | |
| | | | | ±0.8 | | | ±0.8 | | |
| Nonlinearity ⁽⁴⁾ | | Tested Limit | | | | | | °F | |
| | | Design Limit | -0.7 | | 0.7 | -0.6 | | | 0.6 |
| $T_A = 77^{\circ}\text{F}$ | | | | | | | | °F | |
| | | | ±0.35 | | | ±0.3 | | | |
| Sensor gain (Average Slope) | | Tested Limit | 9.9 | | 10.1 | | | mV/°F | |
| | | Design Limit | | | | +9.9 | | | 10.1 |
| $T_A = 77^{\circ}\text{F}$ | | | | | | | | mV/°F | |
| | | | +10 | | | 10 | | | |
| Load regulation ⁽⁵⁾ | $T_A = 77^{\circ}\text{F}$ $0 \leq I_L \leq 1\text{ mA}$ | Tested Limit | -1 | | 1 | -1 | | 1 | mV/mA |
| | | Design Limit | | | | | | | |
| | | | | ±0.4 | | | ±0.4 | | |
| | $0 \leq I_L \leq 1\text{ mA}$ | Tested Limit | | | | | | | mV/mA |
| | | Design Limit | | | | -3 | | 3 | |
| | | | | ±0.5 | | | ±0.5 | | |
| Line regulation ⁽⁵⁾ | $T_A = 77^{\circ}\text{F}$ $5\text{ V} \leq V_S \leq 30\text{ V}$ | Tested Limit | -0.05 | | 0.05 | -0.05 | | 0.05 | mV/V |
| | | Design Limit | | | | | | | |
| | | | | ±0.01 | | | ±0.01 | | |
| | $5\text{ V} \leq V_S \leq 30\text{ V}$ | Tested Limit | | | | | | | mV/V |
| | | Design Limit | | | | -0.1 | | 0.1 | |
| | | | | ±0.02 | | | ±0.02 | | |

- (1) Accuracy is defined as the error between the output voltage and 10 mV/°F times the device's case temperature at specified conditions of voltage, current, and temperature (expressed in °F).
- (2) Tested limits are specified and 100% tested in production.
- (3) Design limits are specified (but not 100% production tested) over the indicated temperature and supply voltage ranges. These limits are not used to calculate outgoing quality levels.
- (4) Nonlinearity is defined as the deviation of the output-voltage-versus-temperature curve from the best-fit straight line over the rated temperature range of the device.
- (5) Regulation is measured at constant junction temperature using pulse testing with a low duty cycle. Changes in output due to heating effects can be computed by multiplying the internal dissipation by the thermal resistance.

Electrical Characteristics: LM34A and LM34CA (continued)

Unless otherwise noted, these specifications apply: $-50^{\circ}\text{F} \leq T_J \leq 300^{\circ}\text{F}$ for the LM34 and LM34A; $-40^{\circ}\text{F} \leq T_J \leq 230^{\circ}\text{F}$ for the LM34C and LM34CA; and $32^{\circ}\text{F} \leq T_J \leq 212^{\circ}\text{F}$ for the LM34D. $V_S = 5\text{ Vdc}$ and $I_{\text{LOAD}} = 50\ \mu\text{A}$ in the circuit of [Full-Range Fahrenheit Temperature Sensor](#); 6 Vdc for LM34 and LM34A for $230^{\circ}\text{F} \leq T_J \leq 300^{\circ}\text{F}$. These specifications also apply from 5°F to T_{MAX} in the circuit of [Basic Fahrenheit Temperature Sensor \(5°F to 300°F\)](#).

| PARAMETER | TEST CONDITIONS | LM34A | | | LM34CA | | | UNIT |
|--|---|--------------|-----|-----|------------|-----|--------------------------------|--------------------|
| | | MIN | TYP | MAX | MIN | TYP | MAX | |
| Quiescent current ⁽⁶⁾ | $V_S = 5\text{ V}$, $T_A = 77^{\circ}\text{F}$ | Tested Limit | | | 90 | | 90 | μA |
| | | Design Limit | | | | | | |
| | | | | 75 | | 75 | | |
| | $V_S = 5\text{ V}$ | Tested Limit | | | | | | μA |
| | | Design Limit | | | 160 | | 139 | |
| | | | | 131 | | 116 | | |
| | $V_S = 30\text{ V}$, $T_A = 77^{\circ}\text{F}$ | Tested Limit | | | 92 | | 92 | μA |
| | | Design Limit | | | | | | |
| | | | | 76 | | 76 | | |
| | $V_S = 30\text{ V}$ | Tested Limit | | | | | | μA |
| | | Design Limit | | | 163 | | 142 | |
| | | | | 132 | | 117 | | |
| Change of quiescent current ⁽⁵⁾ | $4\text{ V} \leq V_S \leq 30\text{ V}$, $T_A = 77^{\circ}\text{F}$ | Tested Limit | | | 2 | | 2 | μA |
| | | Design Limit | | | | | | |
| | | | | 0.5 | | 0.5 | | |
| | $5\text{ V} \leq V_S \leq 30\text{ V}$ | Tested Limit | | | | | | μA |
| | | Design Limit | | | 3 | | 3 | |
| | | | | 1 | | 1 | | |
| Temperature coefficient of quiescent current | | Tested Limit | | | | | $\mu\text{A}/^{\circ}\text{F}$ | |
| | | Design Limit | | | 0.5 | | | 0.5 |
| | | | | 0.3 | | 0.3 | | |
| Minimum temperature for rated accuracy | In circuit of Basic Fahrenheit Temperature Sensor (5°F to 300°F) , $I_L = 0$, $T_A = 77^{\circ}\text{F}$ | Tested Limit | | | | | $^{\circ}\text{F}$ | |
| | | Design Limit | | | 5 | | | 5 |
| | | | | 3 | | 3 | | |
| Long-term stability | $T_J = T_{\text{MAX}}$ for 1000 hours | | | | ± 0.16 | | ± 0.16 | $^{\circ}\text{F}$ |

(6) Quiescent current is defined in the circuit of [Basic Fahrenheit Temperature Sensor \(5°F to 300°F\)](#).

6.6 Electrical Characteristics: LM34, LM34C, and LM34D

Unless otherwise noted, these specifications apply: $-50^{\circ}\text{F} \leq T_J \leq 300^{\circ}\text{F}$ for the LM34 and LM34A; $-40^{\circ}\text{F} \leq T_J \leq 230^{\circ}\text{F}$ for the LM34C and LM34CA; and $+32^{\circ}\text{F} \leq T_J \leq 212^{\circ}\text{F}$ for the LM34D. $V_S = 5\text{ Vdc}$ and $I_{\text{LOAD}} = 50\ \mu\text{A}$ in the circuit of *Full-Range Fahrenheit Temperature Sensor*; 6 Vdc for LM34 and LM34A for $230^{\circ}\text{F} \leq T_J \leq 300^{\circ}\text{F}$. These specifications also apply from 5°F to T_{MAX} in the circuit of *Basic Fahrenheit Temperature Sensor (5°F to 300°F)*.

| PARAMETER | CONDITIONS | | LM34 | | | LM34C, LM34D | | | UNIT |
|--------------------------------------|---|-----------------------------|------|-------|-----|--------------|-------|-----|-------|
| | | | MIN | TYP | MAX | MIN | TYP | MAX | |
| Accuracy, LM34, LM34C ⁽¹⁾ | $T_A = 77^{\circ}\text{F}$ | Tested Limit ⁽²⁾ | -2 | | 2 | -2 | | 2 | °F |
| | | Design Limit ⁽³⁾ | | | | | | | |
| | | | | ±0.8 | | | ±0.8 | | |
| | $T_A = 0^{\circ}\text{F}$ | Tested Limit | | | | | | | °F |
| | | Design Limit | | | | -3 | | 3 | |
| | | | | ±1 | | | ±1 | | |
| | $T_A = T_{\text{MAX}}$ | Tested Limit | | | | | | | °F |
| | | Design Limit | | | | -3 | | 3 | |
| | | | | ±1.6 | | | ±1.6 | | |
| | $T_A = T_{\text{MIN}}$ | Tested Limit | | | | | | | °F |
| | | Design Limit | | | | -3 | | 3 | |
| | | | | ±1.6 | | | ±1.6 | | |
| Accuracy, LM34D ⁽¹⁾ | $T_A = 77^{\circ}\text{F}$ | Tested Limit | | | | | | | °F |
| | | Design Limit | | | | | | | |
| | | | | | | | ±1.2 | | |
| | $T_A = T_{\text{MAX}}$ | Tested Limit | | | | | | | °F |
| | | Design Limit | | | | | | | |
| | | | | | | | ±1.8 | | |
| | $T_A = T_{\text{MIN}}$ | Tested Limit | | | | | | | °F |
| | | Design Limit | | | | | | | |
| | | | | | | | ±1.8 | | |
| Nonlinearity ⁽⁴⁾ | | Tested Limit | | | | | | | °F |
| | | Design Limit | | | | -1.0 | | 1 | |
| | | | | ±0.6 | | | ±0.4 | | |
| Sensor gain (Average Slope) | | Tested Limit | | | | | | | mV/°F |
| | | Design Limit | | | | | | | |
| | | | | 9.8 | | 10.2 | 9.8 | | |
| Load regulation ⁽⁵⁾ | $T_A = 77^{\circ}\text{F}$ $0 \leq I_L \leq 1\text{ mA}$ | Tested Limit | | | | | | | mV/mA |
| | | Design Limit | | | | | | | |
| | | | | ±0.4 | | | ±0.4 | | |
| | $T_{\text{MIN}} \leq T_A \leq 150^{\circ}\text{F}$ $0 \leq I_L \leq 1\text{ mA}$ | Tested Limit | | | | | | | mV/mA |
| | | Design Limit | | | | | | | |
| | | | | ±0.5 | | | ±0.5 | | |
| Line regulation ⁽⁵⁾ | $T_A = 77^{\circ}\text{F}$, $5\text{ V} \leq V_S \leq 30\text{ V}$ | Tested Limit | | | | | | | mV/V |
| | | Design Limit | | | | | | | |
| | | | | ±0.01 | | | ±0.01 | | |
| | $5\text{ V} \leq V_S \leq 30\text{ V}$ | Tested Limit | | | | | | | mV/V |
| | | Design Limit | | | | | | | |
| | | | | ±0.02 | | | ±0.02 | | |

- (1) Accuracy is defined as the error between the output voltage and 10 mV/°F times the device's case temperature at specified conditions of voltage, current, and temperature (expressed in °F).
- (2) Tested limits are specified and 100% tested in production.
- (3) Design limits are specified (but not 100% production tested) over the indicated temperature and supply voltage ranges. These limits are not used to calculate outgoing quality levels.
- (4) Nonlinearity is defined as the deviation of the output-voltage-versus-temperature curve from the best-fit straight line over the rated temperature range of the device.
- (5) Regulation is measured at constant junction temperature using pulse testing with a low duty cycle. Changes in output due to heating effects can be computed by multiplying the internal dissipation by the thermal resistance.

Electrical Characteristics: LM34, LM34C, and LM34D (continued)

Unless otherwise noted, these specifications apply: $-50^{\circ}\text{F} \leq T_J \leq 300^{\circ}\text{F}$ for the LM34 and LM34A; $-40^{\circ}\text{F} \leq T_J \leq 230^{\circ}\text{F}$ for the LM34C and LM34CA; and $+32^{\circ}\text{F} \leq T_J \leq 212^{\circ}\text{F}$ for the LM34D. $V_S = 5\text{ Vdc}$ and $I_{\text{LOAD}} = 50\ \mu\text{A}$ in the circuit of [Full-Range Fahrenheit Temperature Sensor](#); 6 Vdc for LM34 and LM34A for $230^{\circ}\text{F} \leq T_J \leq 300^{\circ}\text{F}$. These specifications also apply from 5°F to T_{MAX} in the circuit of [Basic Fahrenheit Temperature Sensor \(5°F to 300°F\)](#).

| PARAMETER | CONDITIONS | | LM34 | | | LM34C, LM34D | | | UNIT |
|--|--|--------------|------------|-----|-----|--------------|-----|-----|--------------------------------|
| | | | MIN | TYP | MAX | MIN | TYP | MAX | |
| Quiescent current ⁽⁶⁾ | $V_S = 5\text{ V}$, $T_A = 77^{\circ}\text{F}$ | Tested Limit | 100 | | | 100 | | | μA |
| | | Design Limit | | | | | | | |
| | | | 75 | | | 75 | | | |
| | $V_S = 5\text{ V}$ | Tested Limit | | | | | | | μA |
| | | Design Limit | 176 | | | 154 | | | |
| | | | 131 | | | 116 | | | |
| | $V_S = 30\text{ V}$, $T_A = 77^{\circ}\text{F}$ | Tested Limit | | | | | | | μA |
| | | Design Limit | 103 | | | 103 | | | |
| | | | 76 | | | 76 | | | |
| | $V_S = 30\text{ V}$ | Tested Limit | | | | | | | μA |
| | | Design Limit | 181 | | | 159 | | | |
| | | | 132 | | | 117 | | | |
| Change of quiescent current ⁽⁵⁾ | $4\text{ V} \leq V_S \leq 30\text{ V}$, $T_A = +77^{\circ}\text{F}$ | Tested Limit | 3 | | | 3 | | | μA |
| | | Design Limit | | | | | | | |
| | | | 0.5 | | | 0.5 | | | |
| | $5\text{ V} \leq V_S \leq 30\text{ V}$ | Tested Limit | | | | | | | μA |
| | | Design Limit | 5 | | | 5 | | | |
| | | | 1 | | | 1 | | | |
| Temperature coefficient of quiescent current | | Tested Limit | | | | | | | $\mu\text{A}/^{\circ}\text{F}$ |
| | | Design Limit | 0.7 | | | 0.7 | | | |
| | | | 0.3 | | | 0.3 | | | |
| Minimum temperature for rated accuracy | In circuit of Basic Fahrenheit Temperature Sensor (5°F to 300°F) , $I_L = 0$ | Tested Limit | | | | | | | $^{\circ}\text{F}$ |
| | | Design Limit | 5.0 | | | 5 | | | |
| | | | 3 | | | 3 | | | |
| Long-term stability | $T_J = T_{\text{MAX}}$ for 1000 hours | | ± 0.16 | | | ± 0.16 | | | $^{\circ}\text{F}$ |

(6) Quiescent current is defined in the circuit of [Basic Fahrenheit Temperature Sensor \(5°F to 300°F\)](#).

6.7 Typical Characteristics

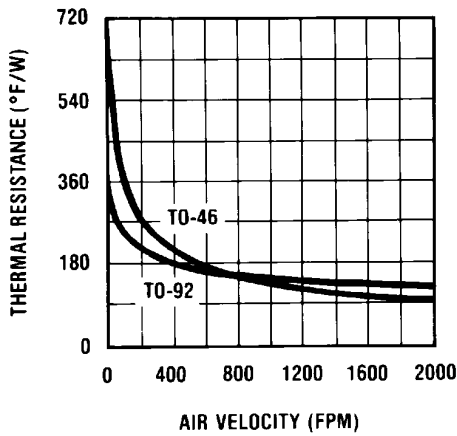


Figure 1. Thermal Resistance Junction to Air

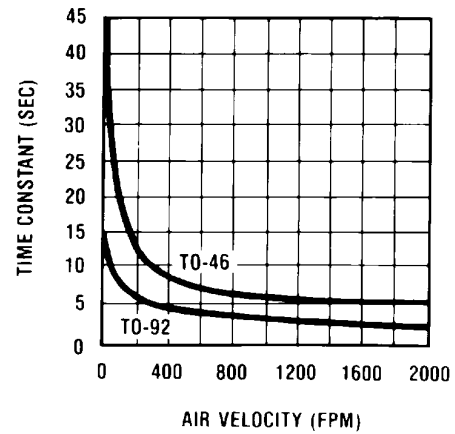


Figure 2. Thermal Time Constant

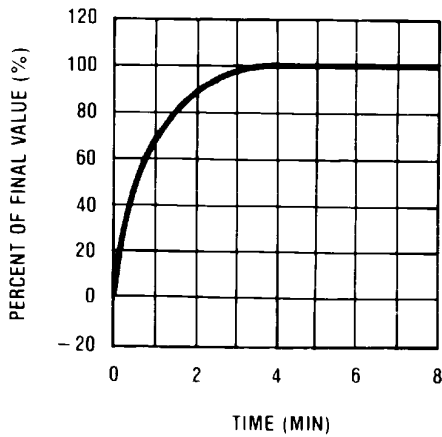


Figure 3. Thermal Response in Still Air

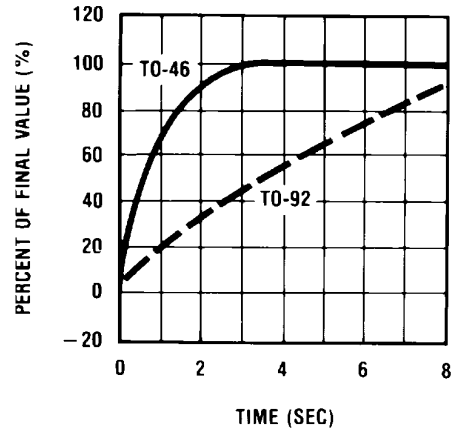


Figure 4. Thermal Response in Stirred Oil Bath

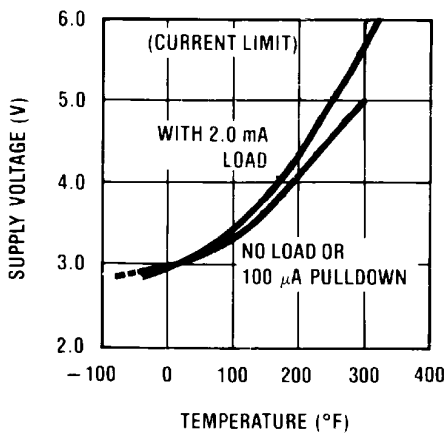


Figure 5. Minimum Supply Voltage vs Temperature

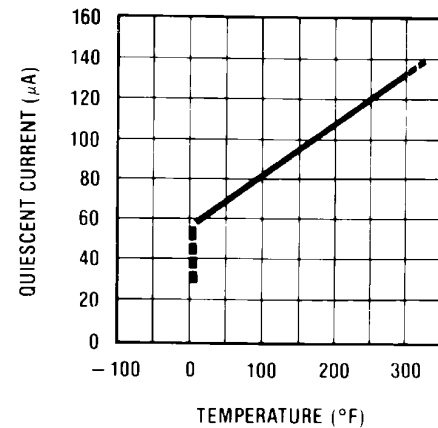


Figure 6. Quiescent Current vs Temperature (in Circuit of Basic Fahrenheit Temperature Sensor (5°F to 300°F))

Typical Characteristics (continued)

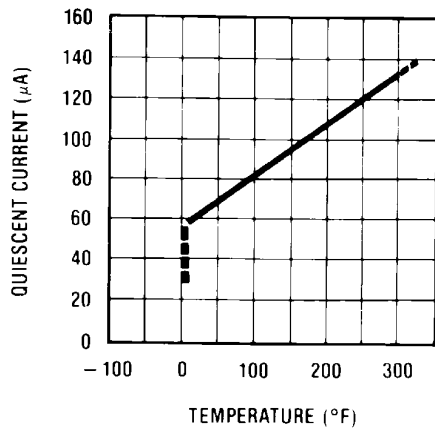


Figure 7. Quiescent Current vs Temperature
(in Circuit of *Full-Range Fahrenheit Temperature Sensor*;
 $-V_S = -5V$, $R_1 = 100k$)

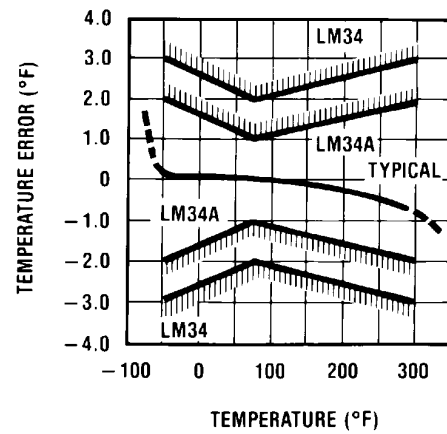


Figure 8. Accuracy vs Temperature (Specified)

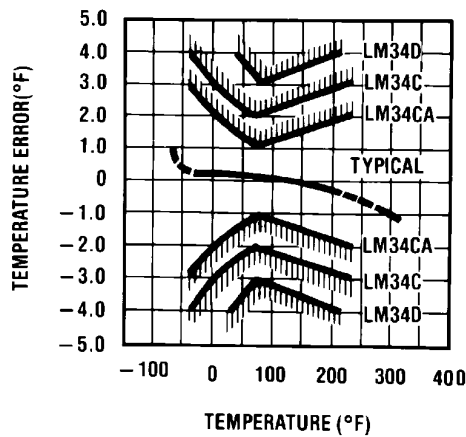


Figure 9. Accuracy vs Temperature (Specified)

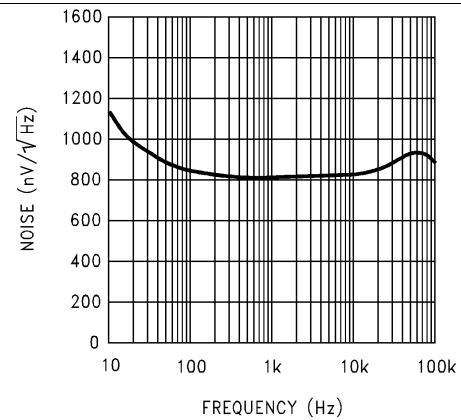


Figure 10. Noise Voltage

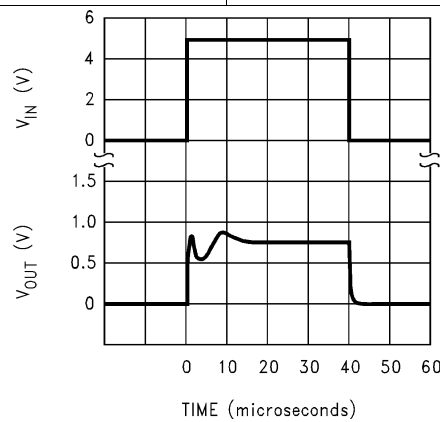


Figure 11. Start-Up Response

7 Detailed Description

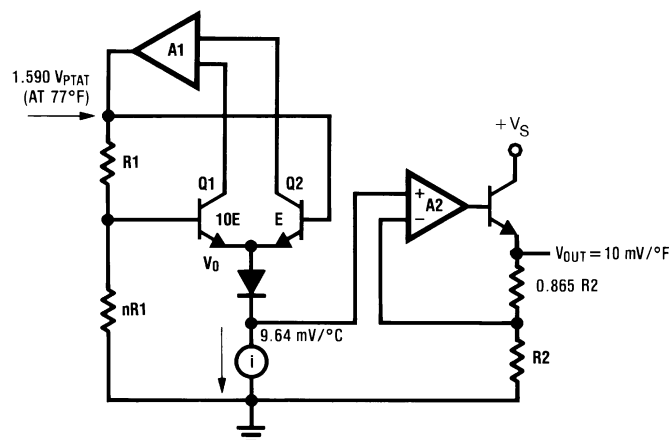
7.1 Overview

The LM34 series devices are precision integrated-circuit temperature sensors, whose output voltage is linearly proportional to the Fahrenheit temperature. The LM34 device has an advantage over linear temperature sensors calibrated in degrees Kelvin, because the user is not required to subtract a large constant voltage from its output to obtain convenient Fahrenheit scaling. The LM34 device does not require any external calibration or trimming to provide typical accuracies of $\pm 1/2^\circ\text{F}$ at room temperature and $\pm 1-1/2^\circ\text{F}$ over a full -50°F to 300°F temperature range. Lower cost is assured by trimming and calibration at the wafer level. The low output impedance, linear output, and precise inherent calibration of the LM34 device makes interfacing to readout or control circuitry especially easy. It can be used with single power supplies or with plus and minus supplies. Because the LM34 device draws only $75\ \mu\text{A}$ from its supply, the device has very low self-heating, less than 0.2°F in still air.

The temperature sensing element is comprised of a simple base emitter junction that is forward biased by a current source. The temperature sensing element is buffered by an amplifier and provided to the OUT pin. The amplifier has a simple class-A output stage thus providing a low impedance output that can source $16\ \mu\text{A}$ and sink $1\ \mu\text{A}$.

The temperature sensing element is comprised of a delta- V_{BE} architecture. The temperature sensing element is then buffered by an amplifier and provided to the V_{OUT} pin. The amplifier has a simple class A output stage with typical $0.5\text{-}\Omega$ output impedance as shown in the [Functional Block Diagram](#). Therefore, the LM34 device can only source current and the sinking capability of the device is limited to $1\ \mu\text{A}$.

7.2 Functional Block Diagram



7.3 Feature Description

7.3.1 Capacitive Drive Capability

Like most micropower circuits, the LM34 device has a limited ability to drive heavy capacitive loads. The LM34 device, by itself, is able to drive $50\ \text{pF}$ without special precautions. If heavier loads are anticipated, it is easy to isolate or decouple the load with a resistor; see [Figure 12](#). You can improve the tolerance of capacitance with a series R-C damper from output to ground; see [Figure 13](#). When the LM34 is applied with a $499\text{-}\Omega$ load resistor (as shown [Figure 18](#) and [Figure 19](#)), the device is relatively immune to wiring capacitance because the capacitance forms a bypass from ground to input, not on the output. However, as with any linear circuit connected to wires in a hostile environment, its performance can be affected adversely by intense electromagnetic sources such as relays, radio transmitters, motors with arcing brushes, transients of the SCR, and so on, as the wiring of the device can act as a receiving antenna and the internal junctions can act as rectifiers. For best results in such cases, a bypass capacitor from VIN to ground and a series R-C damper, such as $75\ \Omega$ in series with $0.2\ \mu\text{F}$ or $1\ \mu\text{F}$ from output to ground, are often useful. See [Figure 23](#), [Figure 24](#) and [Figure 26](#) for more details.

Feature Description (continued)

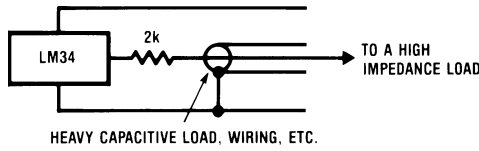


Figure 12. LM34 With Decoupling from Capacitive Load

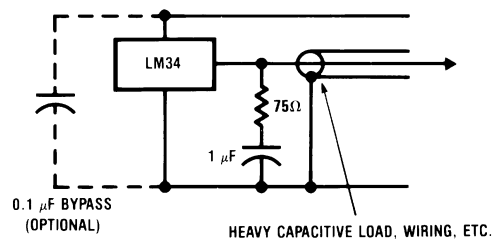


Figure 13. LM34 With R-C Damper

7.3.2 LM34 Transfer Function

The accuracy specifications of the LM34 devices are given with respect to a simple linear transfer function shown in Equation 1:

$$V_{OUT} = 10 \text{ mV}/^{\circ}\text{F} \times T \text{ } ^{\circ}\text{F}$$

where

- V_{OUT} is the LM34 output voltage
- T is the temperature in $^{\circ}\text{F}$

(1)

7.4 Device Functional Modes

The only functional mode of the LM34 device is that it has an analog output directly proportional to temperature.

8 Application and Implementation

NOTE

Information in the following applications sections is not part of the TI component specification, and TI does not warrant its accuracy or completeness. TI's customers are responsible for determining suitability of components for their purposes. Customers should validate and test their design implementation to confirm system functionality.

8.1 Application Information

The features of the LM34 device make it suitable for many general temperature sensing applications. Multiple package options expand on flexibility of the device.

8.2 Typical Application

8.2.1 Basic Fahrenheit Temperature Sensor Application

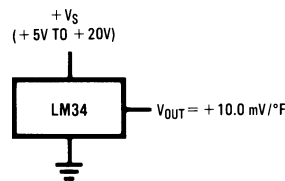


Figure 14. Basic Fahrenheit Temperature Sensor (5°F to 300°F)

8.2.1.1 Design Requirements

Table 1. Key Requirements

| PARAMETER | VALUE |
|------------------------------|----------|
| Accuracy at 77°F | ±2°F |
| Accuracy from –50°F to 300°F | ±3°F |
| Temperature Slope | 10 mV/°F |

8.2.1.2 Detailed Design Procedure

Because the LM34 is a simple temperature sensor that provides an analog output, design requirements related to layout are more important than electrical requirements (see [Layout](#)).

8.2.1.3 Application Curve

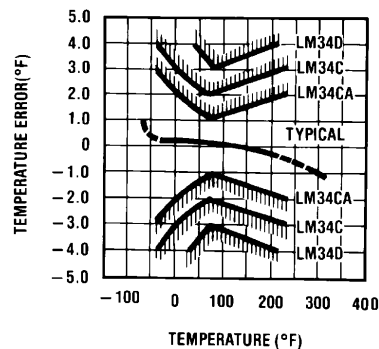


Figure 15. Temperature Error

8.3 System Examples

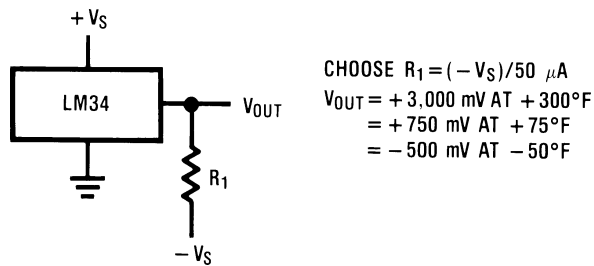


Figure 16. Full-Range Fahrenheit Temperature Sensor

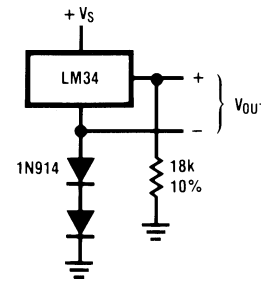
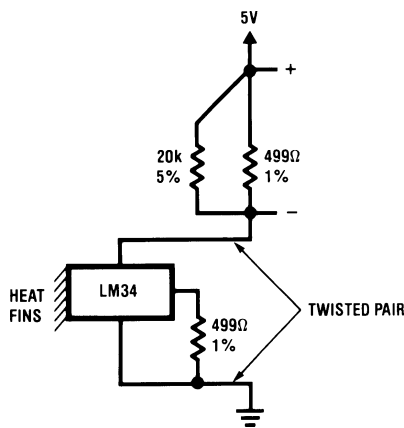


Figure 17. Full Range Fahrenheit Sensor (-50 °F to 300 °F)



$V_{OUT} = 10 \text{ mV}/^\circ\text{F} (T_A + 3^\circ\text{F})$ from 3°F to 100°F

Figure 18. Two-Wire Remote Temperature Sensor (Grounded Sensor)

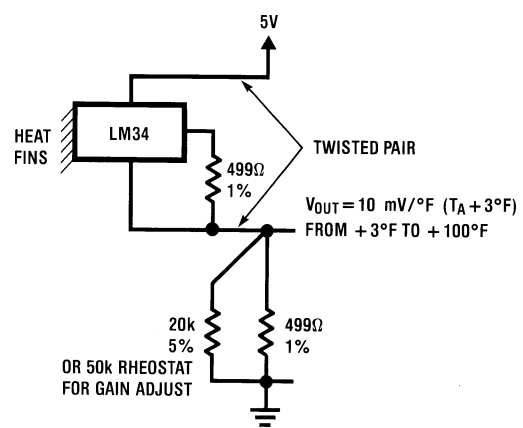


Figure 19. Two-Wire Remote Temperature Sensor (Output Referred to Ground)

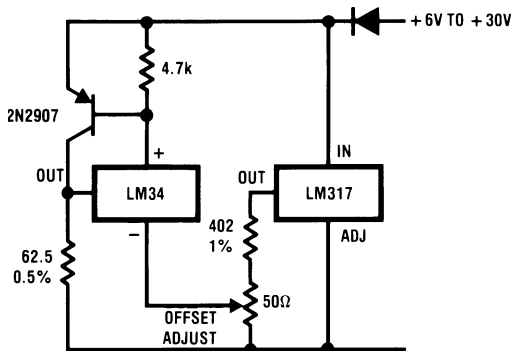


Figure 20. 4- to -20 mA Current Source (0°F to 100°F)

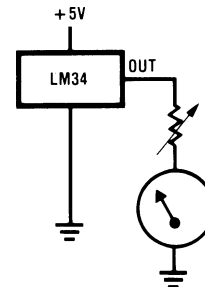


Figure 21. Fahrenheit Thermometer (Analog Meter)

System Examples (continued)

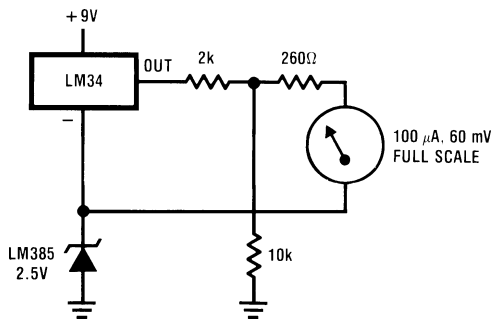


Figure 22. Expanded Scale Thermometer (50°F to 80°F, for Example Shown)

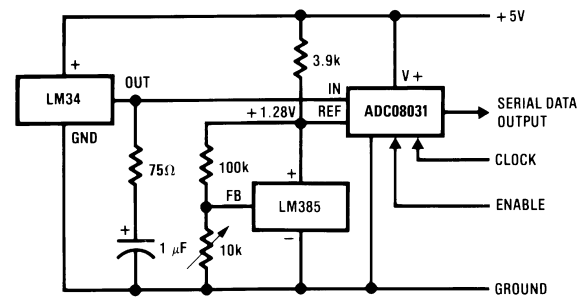


Figure 23. Temperature-to-Digital Converter (Serial Output, 128°F Full Scale)

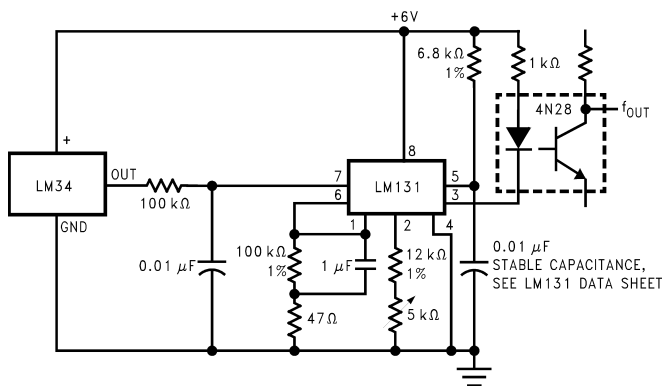
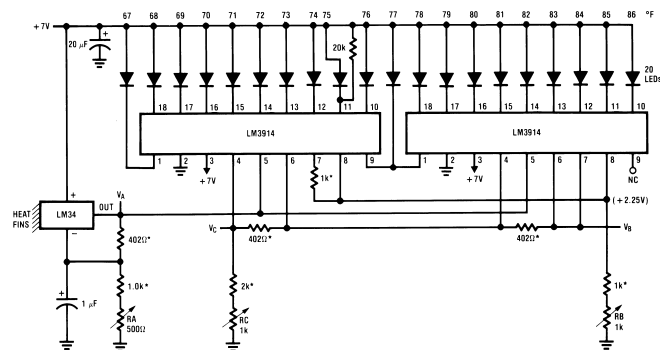


Figure 24. LM34 With Voltage-to-Frequency Converter and Isolated Output (3°F to 300°F; 30 Hz to 3000 Hz)



* = 1% or 2% film resistor
 — Trim R_B for V_B = 3.525V
 — Trim R_C for V_C = 2.725V
 — Trim R_A for V_A = 0.085V + 40 mV/°F × T_{AMBIENT}
 — Example, V_A = 3.285V at 80°F

Figure 25. Bar-Graph Temperature Display (Dot Mode)

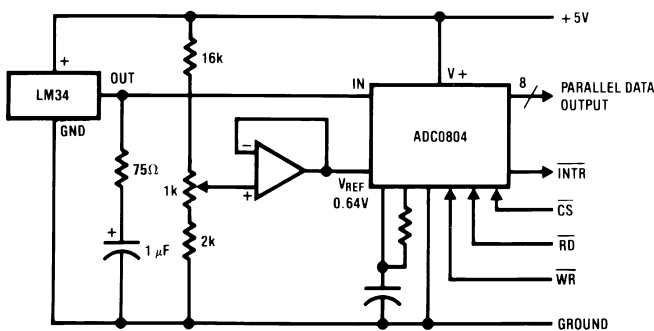


Figure 26. Temperature-to-Digital Converter (Parallel TRI-STATE Outputs for Standard Data Bus to µP Interface, 128°F Full Scale)

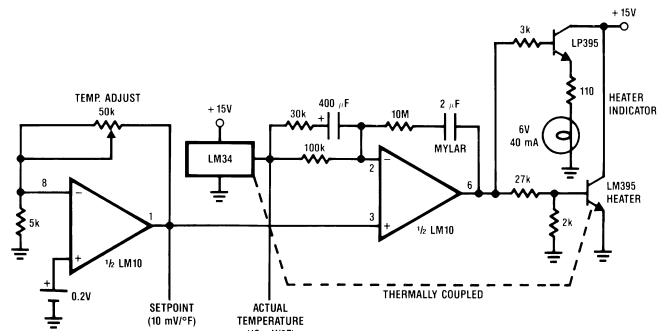


Figure 27. Temperature Controller

9 Power Supply Recommendations

It may be necessary to add a bypass filter capacitor in noisy environments, as shown in as shown in [Figure 13](#).

10 Layout

10.1 Layout Guidelines

The LM34 device can be easily applied in the same way as other integrated-circuit temperature sensors. The device can be glued or cemented to a surface and its temperature will be within about 0.02°F of the surface temperature. This presumes that the ambient air temperature is almost the same as the surface temperature; if the air temperature were much higher or lower than the surface temperature, the actual temperature of the LM34 die would be at an intermediate temperature between the surface temperature and the air temperature. This is especially true for the TO-92 plastic package, where the copper leads are the principal thermal path to carry heat into the device, so its temperature might be closer to the air temperature than to the surface temperature.

To minimize this problem, be sure that the wiring to the LM34, as it leaves the device, is held at the same temperature as the surface of interest. The easiest way to do this is to cover up these wires with a bead of epoxy, which will insure that the leads and wires are all at the same temperature as the surface, and that the die temperature of the LM34 device will not be affected by the air temperature.

The TO-46 metal package can be soldered to a metal surface or pipe without damage. In the case where soldering is used, the V- terminal of the circuit will be grounded to that metal. Alternatively, the LM34 device can be mounted inside a sealed-end metal tube, and can then be dipped into a bath or screwed into a threaded hole in a tank. As with any IC, the LM34 and accompanying wiring and circuits must be kept insulated and dry, to avoid leakage and corrosion. This is especially true if the circuit may operate at cold temperatures where condensation can occur. Printed-circuit coatings and varnishes such as a conformal coating and epoxy paints or dips are often used to insure that moisture cannot corrode the LM34 or its connections.

These devices are sometimes soldered to a small, light-weight heat fin to decrease the thermal time constant and speed up the response in slowly-moving air. On the other hand, a small thermal mass may be added to the sensor to give the steadiest reading despite small deviations in the air temperature.

Table 2. Temperature Rise of LM34 Due to Self-Heating (Thermal Resistance)

| CONDITIONS | TO-46 NO HEAT SINK | TO-46, SMALL HEAT Fin ⁽¹⁾ | TO-92, NO HEAT SINK | TO-92, SMALL HEAT Fin ⁽²⁾ | SO-8 NO HEAT SINK | SO-8 SMALL HEAT Fin |
|---|-----------------------|--|------------------------|--|----------------------|------------------------|
| Still air | 720°F/W | 180°F/W | 324°F/W | 252°F/W | 400°F/W | 200°F/W |
| Moving air | 180°F/W | 72°F/W | 162°F/W | 126°F/W | 190°F/W | 160°F/W |
| Still oil | 180°F/W | 72°F/W | 162°F/W | 126°F/W | — | — |
| Stirred oil | 90°F/W | 54°F/W | 81°F/W | 72°F/W | — | — |
| (Clamped to metal, infinite heat sink) | (43°F/W) | | — | — | (95°F/W) | |

(1) Wakefield type 201 or 1-inch disc of 0.020-inch sheet brass, soldered to case, or similar.

(2) TO-92 and SO-8 packages glued and leads soldered to 1-inch square of 1/16 inches printed circuit board with 2 oz copper foil, or similar.

10.2 Layout Example

○ VIA to ground plane

○ VIA to power plane

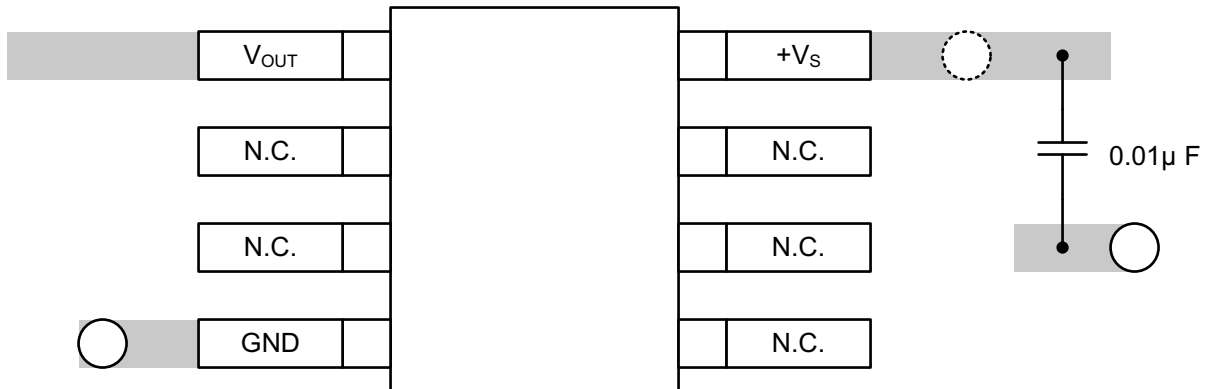


Figure 28. Layout Example

11 Device and Documentation Support

11.1 Trademarks

All trademarks are the property of their respective owners.

11.2 Electrostatic Discharge Caution



These devices have limited built-in ESD protection. The leads should be shorted together or the device placed in conductive foam during storage or handling to prevent electrostatic damage to the MOS gates.

11.3 Glossary

[SLYZ022](#) — *TI Glossary*.

This glossary lists and explains terms, acronyms, and definitions.

12 Mechanical, Packaging, and Orderable Information

The following pages include mechanical, packaging, and orderable information. This information is the most current data available for the designated devices. This data is subject to change without notice and revision of this document. For browser-based versions of this data sheet, refer to the left-hand navigation.

PACKAGING INFORMATION

| Orderable Device | Status (1) | Package Type | Package Drawing | Pins | Package Qty | Eco Plan (2) | Lead finish/ Ball material (6) | MSL Peak Temp (3) | Op Temp (°C) | Device Marking (4/5) | Samples |
|------------------|---------------|--------------|-----------------|------|-------------|----------------------|--------------------------------------|----------------------|--------------|-------------------------|-------------------------|
| LM34AH | ACTIVE | TO | NDV | 3 | 500 | Non-RoHS & Non-Green | Call TI | Call TI | -45 to 148 | (LM34AH, LM34AH) | Samples |
| LM34AH/NOPB | ACTIVE | TO | NDV | 3 | 500 | RoHS & Green | Call TI | Level-1-NA-UNLIM | -45 to 148 | (LM34AH, LM34AH) | Samples |
| LM34CAH | ACTIVE | TO | NDV | 3 | 500 | Non-RoHS & Non-Green | Call TI | Call TI | -40 to 110 | (LM34CAH, LM34CAH) | Samples |
| LM34CAH/NOPB | ACTIVE | TO | NDV | 3 | 500 | RoHS & Green | Call TI | Level-1-NA-UNLIM | -40 to 110 | (LM34CAH, LM34CAH) | Samples |
| LM34CAZ/NOPB | ACTIVE | TO-92 | LP | 3 | 1800 | RoHS & Green | SN | N / A for Pkg Type | -40 to 110 | LM34 CAZ | Samples |
| LM34CZ/NOPB | ACTIVE | TO-92 | LP | 3 | 1800 | RoHS & Green | SN | N / A for Pkg Type | -40 to 110 | LM34 CZ | Samples |
| LM34DH | ACTIVE | TO | NDV | 3 | 1000 | Non-RoHS & Non-Green | Call TI | Call TI | 0 to 100 | (LM34DH, LM34DH) | Samples |
| LM34DH/NOPB | ACTIVE | TO | NDV | 3 | 1000 | RoHS & Green | Call TI | Level-1-NA-UNLIM | 0 to 100 | (LM34DH, LM34DH) | Samples |
| LM34DM | NRND | SOIC | D | 8 | 95 | Non-RoHS & Green | Call TI | Level-1-235C-UNLIM | 0 to 100 | LM34D M | |
| LM34DM/NOPB | ACTIVE | SOIC | D | 8 | 95 | RoHS & Green | SN | Level-1-260C-UNLIM | 0 to 100 | LM34D M | Samples |
| LM34DMX/NOPB | ACTIVE | SOIC | D | 8 | 2500 | RoHS & Green | SN | Level-1-260C-UNLIM | 0 to 100 | LM34D M | Samples |
| LM34DZ/LFT7 | ACTIVE | TO-92 | LP | 3 | 2000 | RoHS & Green | SN | N / A for Pkg Type | | LM34 DZ | Samples |
| LM34DZ/NOPB | ACTIVE | TO-92 | LP | 3 | 1800 | RoHS & Green | SN | N / A for Pkg Type | 0 to 100 | LM34 DZ | Samples |

(1) The marketing status values are defined as follows:

ACTIVE: Product device recommended for new designs.

LIFEBUY: TI has announced that the device will be discontinued, and a lifetime-buy period is in effect.

NRND: Not recommended for new designs. Device is in production to support existing customers, but TI does not recommend using this part in a new design.

PREVIEW: Device has been announced but is not in production. Samples may or may not be available.

OBSOLETE: TI has discontinued the production of the device.

(2) **RoHS:** TI defines "RoHS" to mean semiconductor products that are compliant with the current EU RoHS requirements for all 10 RoHS substances, including the requirement that RoHS substance do not exceed 0.1% by weight in homogeneous materials. Where designed to be soldered at high temperatures, "RoHS" products are suitable for use in specified lead-free processes. TI may reference these types of products as "Pb-Free".

RoHS Exempt: TI defines "RoHS Exempt" to mean products that contain lead but are compliant with EU RoHS pursuant to a specific EU RoHS exemption.

Green: TI defines "Green" to mean the content of Chlorine (Cl) and Bromine (Br) based flame retardants meet JS709B low halogen requirements of ≤ 1000 ppm threshold. Antimony trioxide based flame retardants must also meet the ≤ 1000 ppm threshold requirement.

(3) MSL, Peak Temp. - The Moisture Sensitivity Level rating according to the JEDEC industry standard classifications, and peak solder temperature.

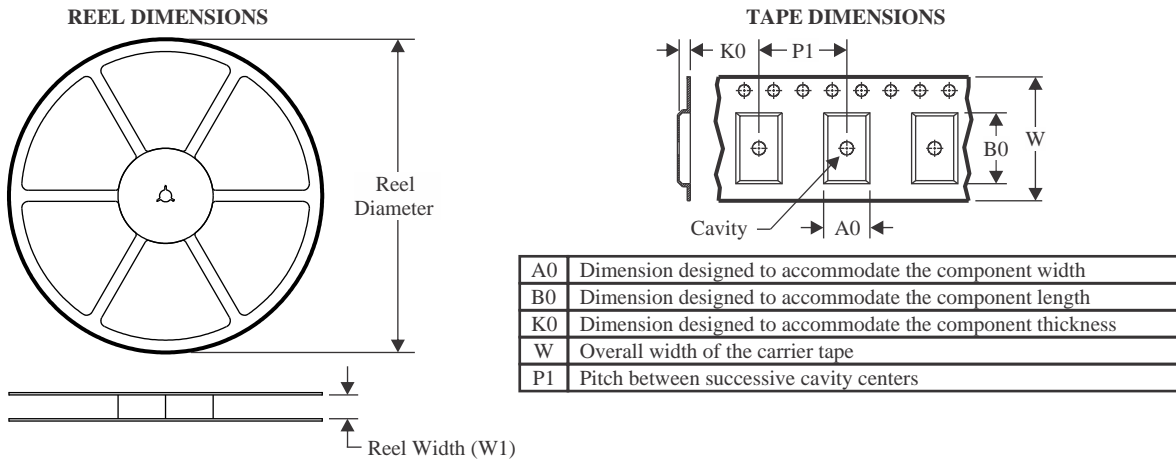
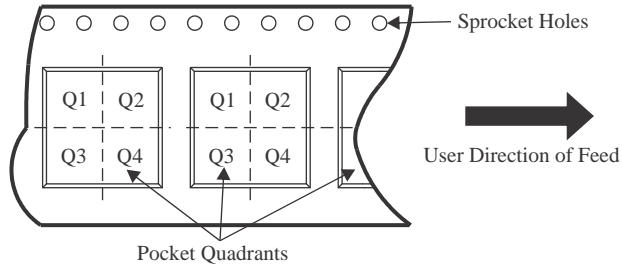
(4) There may be additional marking, which relates to the logo, the lot trace code information, or the environmental category on the device.

(5) Multiple Device Markings will be inside parentheses. Only one Device Marking contained in parentheses and separated by a "~" will appear on a device. If a line is indented then it is a continuation of the previous line and the two combined represent the entire Device Marking for that device.

(6) Lead finish/Ball material - Orderable Devices may have multiple material finish options. Finish options are separated by a vertical ruled line. Lead finish/Ball material values may wrap to two lines if the finish value exceeds the maximum column width.

Important Information and Disclaimer: The information provided on this page represents TI's knowledge and belief as of the date that it is provided. TI bases its knowledge and belief on information provided by third parties, and makes no representation or warranty as to the accuracy of such information. Efforts are underway to better integrate information from third parties. TI has taken and continues to take reasonable steps to provide representative and accurate information but may not have conducted destructive testing or chemical analysis on incoming materials and chemicals. TI and TI suppliers consider certain information to be proprietary, and thus CAS numbers and other limited information may not be available for release.

In no event shall TI's liability arising out of such information exceed the total purchase price of the TI part(s) at issue in this document sold by TI to Customer on an annual basis.

TAPE AND REEL INFORMATION

QUADRANT ASSIGNMENTS FOR PIN 1 ORIENTATION IN TAPE


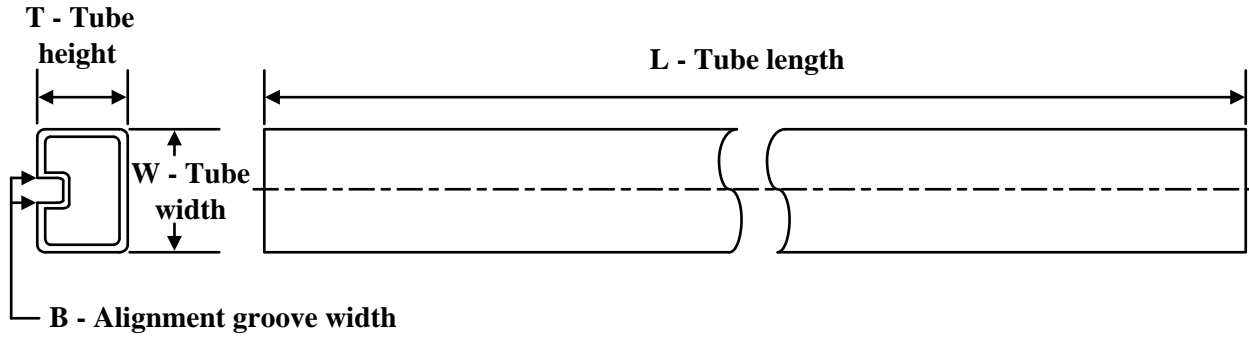
*All dimensions are nominal

| Device | Package Type | Package Drawing | Pins | SPQ | Reel Diameter (mm) | Reel Width W1 (mm) | A0 (mm) | B0 (mm) | K0 (mm) | P1 (mm) | W (mm) | Pin1 Quadrant |
|--------------|--------------|-----------------|------|------|--------------------|--------------------|---------|---------|---------|---------|--------|---------------|
| LM34DMX/NOPB | SOIC | D | 8 | 2500 | 330.0 | 12.4 | 6.5 | 5.4 | 2.0 | 8.0 | 12.0 | Q1 |

TAPE AND REEL BOX DIMENSIONS


*All dimensions are nominal

| Device | Package Type | Package Drawing | Pins | SPQ | Length (mm) | Width (mm) | Height (mm) |
|--------------|--------------|-----------------|------|------|-------------|------------|-------------|
| LM34DMX/NOPB | SOIC | D | 8 | 2500 | 367.0 | 367.0 | 35.0 |

TUBE


*All dimensions are nominal

| Device | Package Name | Package Type | Pins | SPQ | L (mm) | W (mm) | T (μm) | B (mm) |
|-------------|--------------|--------------|------|-----|--------|--------|--------|--------|
| LM34DM | D | SOIC | 8 | 95 | 495 | 8 | 4064 | 3.05 |
| LM34DM | D | SOIC | 8 | 95 | 495 | 8 | 4064 | 3.05 |
| LM34DM/NOPB | D | SOIC | 8 | 95 | 495 | 8 | 4064 | 3.05 |



D0008A

PACKAGE OUTLINE

SOIC - 1.75 mm max height

SMALL OUTLINE INTEGRATED CIRCUIT



4214825/C 02/2019

NOTES:

- Linear dimensions are in inches [millimeters]. Dimensions in parenthesis are for reference only. Controlling dimensions are in inches. Dimensioning and tolerancing per ASME Y14.5M.
- This drawing is subject to change without notice.
- This dimension does not include mold flash, protrusions, or gate burrs. Mold flash, protrusions, or gate burrs shall not exceed $.006$ [0.15] per side.
- This dimension does not include interlead flash.
- Reference JEDEC registration MS-012, variation AA.

EXAMPLE BOARD LAYOUT

D0008A

SOIC - 1.75 mm max height

SMALL OUTLINE INTEGRATED CIRCUIT



LAND PATTERN EXAMPLE
 EXPOSED METAL SHOWN
 SCALE:8X



SOLDER MASK DETAILS

4214825/C 02/2019

NOTES: (continued)

- 6. Publication IPC-7351 may have alternate designs.
- 7. Solder mask tolerances between and around signal pads can vary based on board fabrication site.

EXAMPLE STENCIL DESIGN

D0008A

SOIC - 1.75 mm max height

SMALL OUTLINE INTEGRATED CIRCUIT



SOLDER PASTE EXAMPLE
BASED ON .005 INCH [0.125 MM] THICK STENCIL
SCALE:8X

4214825/C 02/2019

NOTES: (continued)

8. Laser cutting apertures with trapezoidal walls and rounded corners may offer better paste release. IPC-7525 may have alternate design recommendations.
9. Board assembly site may have different recommendations for stencil design.

GENERIC PACKAGE VIEW

LP 3

TO-92 - 5.34 mm max height

TRANSISTOR OUTLINE



Images above are just a representation of the package family, actual package may vary.
Refer to the product data sheet for package details.

4040001-2/F

LP0003A



PACKAGE OUTLINE

TO-92 - 5.34 mm max height

TO-92



4215214/B 04/2017

NOTES:

1. All linear dimensions are in millimeters. Any dimensions in parenthesis are for reference only. Dimensioning and tolerancing per ASME Y14.5M.
2. This drawing is subject to change without notice.
3. Lead dimensions are not controlled within this area.
4. Reference JEDEC TO-226, variation AA.
5. Shipping method:
 - a. Straight lead option available in bulk pack only.
 - b. Formed lead option available in tape and reel or ammo pack.
 - c. Specific products can be offered in limited combinations of shipping medium and lead options.
 - d. Consult product folder for more information on available options.



LAND PATTERN EXAMPLE
STRAIGHT LEAD OPTION
NON-SOLDER MASK DEFINED
SCALE:15X



LAND PATTERN EXAMPLE
FORMED LEAD OPTION
NON-SOLDER MASK DEFINED
SCALE:15X

TAPE SPECIFICATIONS

LP0003A

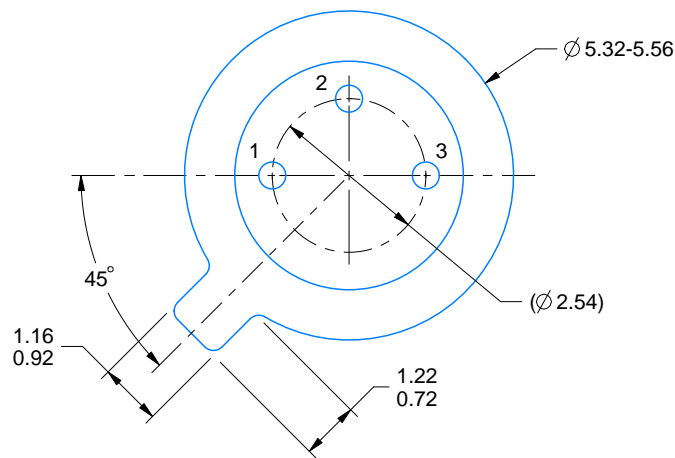
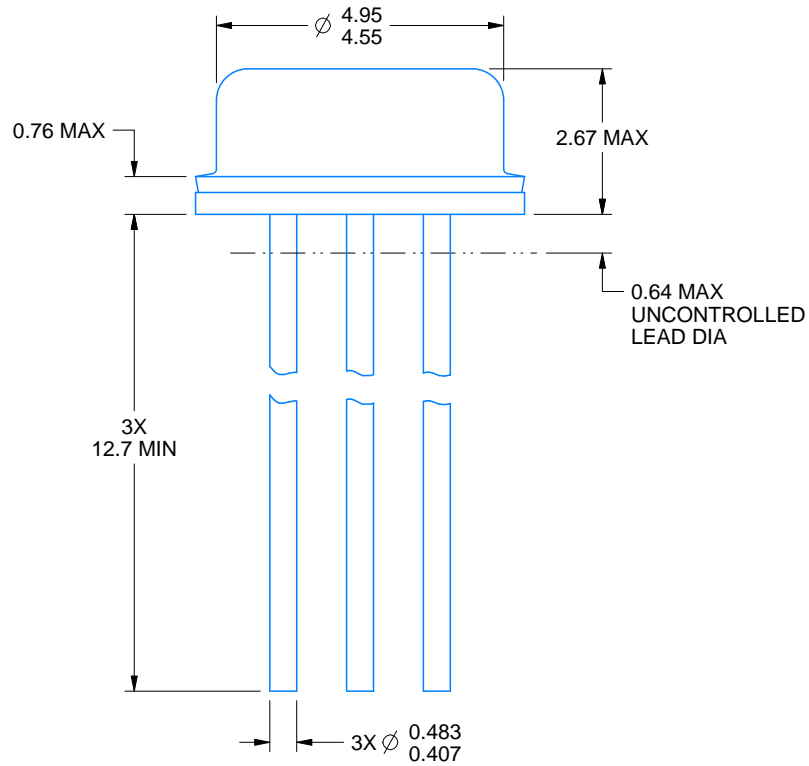
TO-92 - 5.34 mm max height

TO-92



FOR FORMED LEAD OPTION PACKAGE

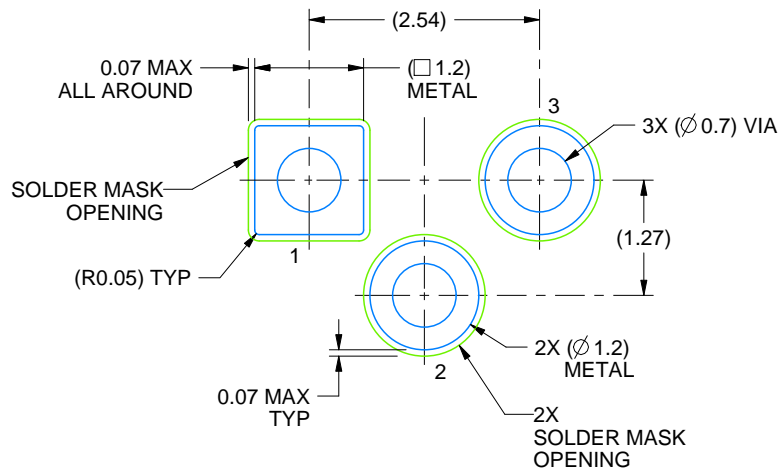
4215214/B 04/2017



4219876/A 01/2017

NOTES:

1. All linear dimensions are in millimeters. Any dimensions in parenthesis are for reference only. Dimensioning and tolerancing per ASME Y14.5M.
2. This drawing is subject to change without notice.
3. Reference JEDEC registration TO-46.



LAND PATTERN EXAMPLE
NON-SOLDER MASK DEFINED
SCALE:12X

IMPORTANT NOTICE AND DISCLAIMER

TI PROVIDES TECHNICAL AND RELIABILITY DATA (INCLUDING DATA SHEETS), DESIGN RESOURCES (INCLUDING REFERENCE DESIGNS), APPLICATION OR OTHER DESIGN ADVICE, WEB TOOLS, SAFETY INFORMATION, AND OTHER RESOURCES "AS IS" AND WITH ALL FAULTS, AND DISCLAIMS ALL WARRANTIES, EXPRESS AND IMPLIED, INCLUDING WITHOUT LIMITATION ANY IMPLIED WARRANTIES OF MERCHANTABILITY, FITNESS FOR A PARTICULAR PURPOSE OR NON-INFRINGEMENT OF THIRD PARTY INTELLECTUAL PROPERTY RIGHTS.

These resources are intended for skilled developers designing with TI products. You are solely responsible for (1) selecting the appropriate TI products for your application, (2) designing, validating and testing your application, and (3) ensuring your application meets applicable standards, and any other safety, security, regulatory or other requirements.

These resources are subject to change without notice. TI grants you permission to use these resources only for development of an application that uses the TI products described in the resource. Other reproduction and display of these resources is prohibited. No license is granted to any other TI intellectual property right or to any third party intellectual property right. TI disclaims responsibility for, and you will fully indemnify TI and its representatives against, any claims, damages, costs, losses, and liabilities arising out of your use of these resources.

TI's products are provided subject to [TI's Terms of Sale](#) or other applicable terms available either on ti.com or provided in conjunction with such TI products. TI's provision of these resources does not expand or otherwise alter TI's applicable warranties or warranty disclaimers for TI products.

TI objects to and rejects any additional or different terms you may have proposed.

Mailing Address: Texas Instruments, Post Office Box 655303, Dallas, Texas 75265
Copyright © 2022, Texas Instruments Incorporated

X-ON Electronics

Largest Supplier of Electrical and Electronic Components

Click to view similar products for [Board Mount Temperature Sensors](#) category:

Click to view products by [Texas Instruments](#) manufacturer:

Other Similar products are found below :

[66F115](#) [3610085020002](#) [389049M9527](#) [MIKROE-912](#) [ADM1023ARQZ-REEL](#) [ADM1032ARMZ-1RL](#) [ADT7481ARMZ-REEL](#)
[ADT7463ARQZ-REEL](#) [66L080-0226](#) [S-58LM20A-I4T1U](#) [NCT375MNR2G](#) [NCT80DBR2G](#) [SEN-16304](#) [X96012V14I](#) [NCT1008CMN3R2G](#)
[NCT1008DMN3R2G](#) [NVT211CMTR2G](#) [GX112XA](#) [GX112XT](#) [NTSA3104GP014](#) [DS18B20A10](#) [GX36](#) [GXTR304Q](#) [GX75CU](#) [GX36Z](#)
[GXHTV3C](#) [GXTS02S](#) [GX101S](#) [GX75C](#) [GX21M15D](#) [HT18B20ARTZ](#) [DS18B20U-HXY](#) [AT30TS74-UFM10-T-072](#) [MCP9800A1T-M/OT](#)
[TMP114AIYMTR](#) [TMP126EDCKRQ1](#) [TMP1826DGKR](#) [NTSA3103FVA42](#) [NTSA3104HZ048](#) [LM35CZ/LFT1](#) [GXHT3WC](#) [GXTS04D](#)
[MLX90640ESF-BAA-000-TU](#) [GXT310T0](#) [TMP1827NNGRR](#) [GXT310W0](#) [GX112XTE](#) [TMP103AYFFR\(UMW\)](#) [HX18B20-S](#) [GZT263](#)