

交流-直流准谐振电流模式脉宽调制 (PWM) 控制器

特性

- 临界传导模式
- 峰值电流模式控制模式
- 针对低待机功耗的跳周模式
- 针对持续过载保护的断续模式
- 逐周期过流保护可保持通用交流线路上的准确度
- 线路电流前馈
- 通过感测辅助绕组的 **OVP** 保护
- 集成 **0.7A** 峰值栅极驱动器
- 直接光耦合器件接口
- 电流感测信号的前缘消除
- 最高频率钳位 **130kHz**
- 可编程软启动
- 热关断
- **8** 引脚表面贴装小外形尺寸 (**MSOP**) 封装

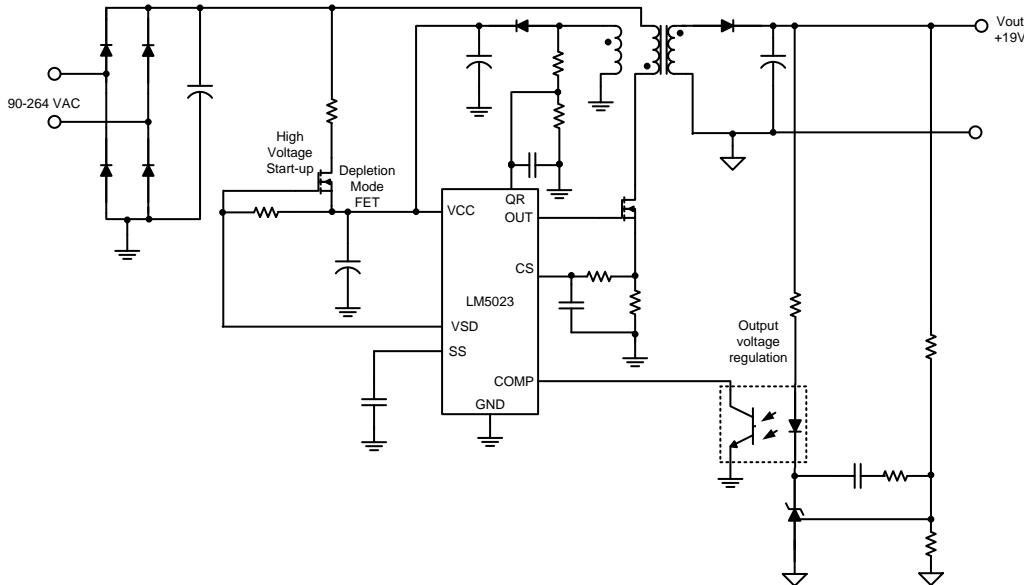
应用范围

- 通用输入交流-直流笔记本电脑适配器 **10W** 至 **65W**
- 高效辅助电路和辅助电源
- 电池充电器
- 消费类电子产品 (**DVD** 播放器、机顶盒、数字电视、游戏机、打印机等)

说明

LM5023 是一款准谐振脉宽调制 (PWM) 控制器，此控制器包含有实现一个高效离线电源所需的全部功能。LM5023 使用变压器辅助绕组来实现消磁检测，从而确保了临界传导模式 (CCM) 运行。LM5023 特有一个用于过流保护的断续模式，它具有的自动重启功能可减少过载期间功率元件上的应力。针对节能应用 (ENERGY STAR®, CEPCP 等) 的跳周模式可在轻负载时减少功耗。LM5023 还使用变压器辅助绕组来实现输出过压 (OVP) 保护，如果检测到 OVP 故障，LM5023 就锁存控制器。

经简化电路原理图



Please be aware that an important notice concerning availability, standard warranty, and use in critical applications of Texas Instruments semiconductor products and disclaimers thereto appears at the end of this data sheet.

ABSOLUTE MAXIMUM RATINGS⁽¹⁾⁽²⁾

over operating free-air temperature range (unless otherwise noted)

		VALUE		UNIT
		MIN	MAX	
I_{QR}	Negative Injection Current When the QR Pin is Being Driven Below Ground	–	4	mA
VSD	Maximum Voltage	–0.3	45	V
I_{VSD}	VSD Clamp Continuous Current	–	500	μ A
Voltage Range	SS, COMP, QR	–0.3	7	V
Voltage Range	CS	–0.3	1.25	V
OUT	Gate-Drive Voltage at DRV	–0.3	Self-limiting	V
I_{OUT}	Peak OUT Current, Source	–	0.3	A
I_{OUT}	Peak OUT Current Sink	–	0.7	A
VCC	Bias Supply Voltage	–0.3	16	V
T_J	Operating Junction Temperature Range	–40	+125	$^{\circ}$ C
T_{STG}	Storage Temperature	–55	+150	$^{\circ}$ C
ESD	Human Body Model (HBM) JESD22-A114		2	kV
	Charged-Device Model (CDM) JESD22-C101		1	kV

- (1) Stresses beyond those listed under Absolute Maximum Ratings may cause permanent damage to the device. These are stress ratings only, and functional operation of the device at these or any other conditions beyond those indicated under Recommended Operating Conditions is not implied. Exposure to absolute-maximum-rated conditions for extended periods may affect device reliability.
- (2) The input negative-voltage and output voltage ratings may be exceeded if the input and output current ratings are observed.

THERMAL CHARACTERISTICS

			UNIT
θ_{JA}	MSOP-8 Junction to Ambient	107	$^{\circ}$ C/W

- (1) The package thermal impedance is calculated in accordance with JESD 51-7.

RECOMMENDED OPERATING CONDITIONS

		MIN	MAX	UNIT
VCC	Bias Supply Voltage	8	14	V
I_{VSD}	Current Sense	2	10	μ A
I_{QR}	QR Pin Current	1	4	mA
T_J	Junction Temperature	–40	125	$^{\circ}$ C

ELECTRICAL CHARACTERISTICS

Minimum and Maximum apply over the junction temperature range of -40°C to $+125^{\circ}\text{C}$. Minimum and maximum limits are specified through test, design, or statistical correlation. Typical values represent the most likely parametric norm at $+25^{\circ}\text{C}$, and are provided for reference purposes only. Unless otherwise specified, the following conditions apply: $V_{\text{CC}} = 10\text{ V}$, $F_{\text{SW}} = 100\text{ kHz}$ 50% Duty Cycle, No Load on OUT.

PARAMETER		TEST CONDITIONS	MIN	TYP	MAX	UNIT
BIAS SUPPLY INPUT						
V_{CCON}	Controller enable threshold		12	12.8	13.5	V
V_{CCOFF}	Minimum operating voltage		7.0	7.5	8.0	V
V_{RST}	Internal logic reset (fault latch)		4.5	5.0	5.5	V
I_{CCST}	ICC current while in standby mode	COMP = 0.5V, CS = 0 V, no switching		340	420	μA
I_{CCOP}	Operating supply current	COMP = 2.25 V, OUT switching		800		μA
SHUTDOWN CONTROL (VSD pin)						
$I_{\text{VSD OFF}}$	Off state leakage current			0.1		μA
$V_{\text{VSD ON1}}$	ON state pull-down voltage at 10 μA	After V_{CCON} ($I_{\text{VSD}} = 10\text{ }\mu\text{A}$)		0.65		V
$V_{\text{VSD ON2}}$	ON state pull-down voltage at 100 μA	After V_{CCON} ($I_{\text{VSD}} = 100\text{ }\mu\text{A}$)		0.84		V
SKIP CYCLE MODE COMPARATOR						
V_{SKIP}	Skip cycle mode enable threshold	CS Rising	70	120	170	mV
$V_{\text{SK-HYS}}$	Skip cycle mode hysteresis			12		mV
QR DETECT						
V_{OVP}	Overvoltage comparator threshold		2.85	3	3.17	V
T_{OVP}	Sample delay for OVP		870	1050	1270	ns
V_{DEM}	VDEM demagnetization threshold			0.35		V
F_{MAX}	Maximum frequency		114	130	148	kHz
T_{RST}	T_{RESTART}		9.4	12	15.7	μs
PWM COMPARATORS						
$T_{\text{P PWM}}$	COMP to OUT delay	COMP set to 2 V CS stepped 0 to 0.4 V, time to OUT transition low, $C_{\text{LOAD}} = 0$		20		ns
D_{MIN}	Minimum duty cycle	COMP = 0 V			0	%
G_{COMP}	COMP to PWM comparator gain			0.33		
$V_{\text{COMP-O}}$	COMP open circuit voltage	$I(\text{COMP}) = 20\text{ }\mu\text{A}$	4.3	4.9	5.8	V
$V_{\text{COMP-H}}$	COMP at maximum VCS			2.25		V
I_{COMP}	COMP short circuit current	COMP = 0 V		132		μA
R_{COMP}	R pull-up		41	45	49	k Ω

ELECTRICAL CHARACTERISTICS (continued)

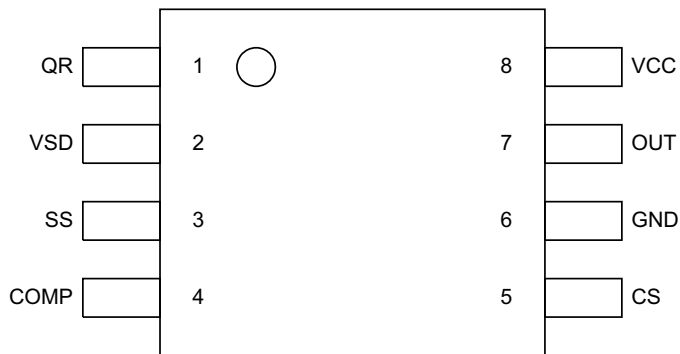
Minimum and Maximum apply over the junction temperature range of -40°C to $+125^{\circ}\text{C}$. Minimum and maximum limits are specified through test, design, or statistical correlation. Typical values represent the most likely parametric norm at $+25^{\circ}\text{C}$, and are provided for reference purposes only. Unless otherwise specified, the following conditions apply: $V_{\text{CC}} = 10\text{ V}$, $F_{\text{SW}} = 100\text{ kHz}$ 50% Duty Cycle, No Load on OUT.

PARAMETER		TEST CONDITIONS	MIN	TYP	MAX	UNIT
CURRENT LIMIT						
V_{CS}	Cycle-by-cycle sense voltage threshold		450	500	550	mV
T_{LEB}	Leading edge blanking time			130		ns
T_{PCS}	Current limit to OUT delay	CS step from 0 to 0.6 V time to onset of OUT transition low, $C_{\text{LOAD}} = 0$		22		ns
R_{LEB}	CS blanking sinking impedance			15	35	Ω
G_{CM}	Current mirror gain	$I_{\text{QR}} = 2\text{ ma}$		100		A/A
C_{FF}	Current feed forward	$I_{\text{QR}} = 2\text{ ma}$		140		mV
HICCUP MODE						
T_{OL_10}	Over load detection timer	$I_{\text{VSD}} = 10\text{ uA}$		12		ms
T_{OL_100}	Over load detection timer	$I_{\text{VSD}} = 100\text{ uA}$		1.2		ms
OUTPUT GATE DRIVER						
V_{OH}	OUT high saturated	$I_{\text{OUT}} = 50\text{ mA}$, VCC-OUT		0.3	1.1	V
V_{OL}	OUT low saturated	$I_{\text{OUT}} = 100\text{ mA}$		0.3	1	V
I_{PH}	Peak OUT source current	OUT = VCC/2		0.3		A
I_{PL}	Peak OUT sink current	OUT = VCC/2		0.7		A
t_{r}	Rise time	$C_{\text{LOAD}} = 1\text{ nF}$		25		ns
t_{f}	Fall time	$C_{\text{LOAD}} = 1\text{ nF}$		15		ns
SOFT-START						
I_{SS}	Soft-start		17	22	30	μA
THERMAL						
T_{SD}	Thermal shutdown temp			165		$^{\circ}\text{C}$

PIN FUNCTIONS

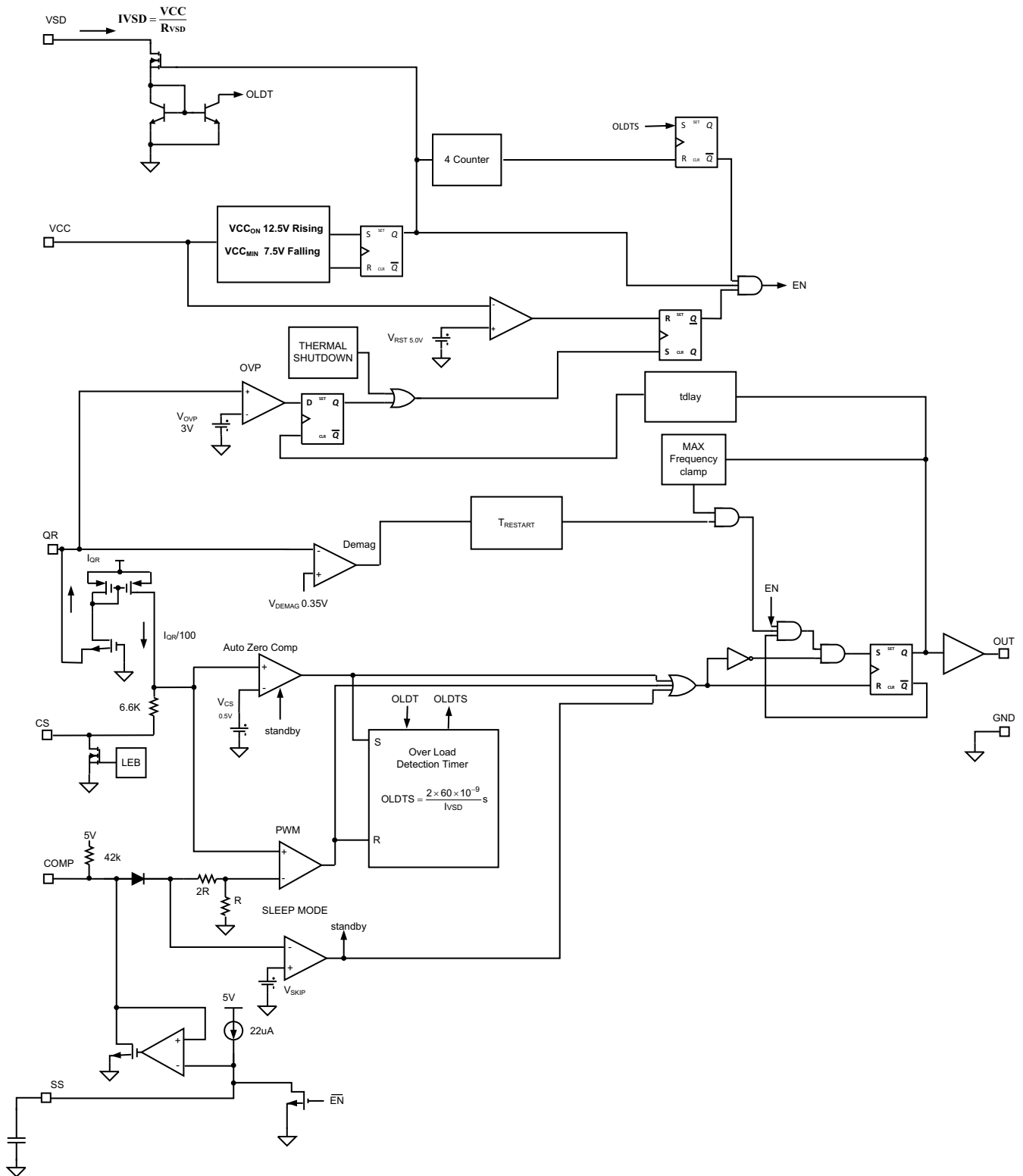
NAME	NO.	TYPE	DESCRIPTION
COMP	4	I	Control input for the Pulse Width Modulator and Skip cycle comparators. COMP pull-up is provided by an internal 42 K resistor which may be used to bias an opto-coupler transistor.
CS	5	I	Current sense input for current mode control and over-current protection. Current limiting is accomplished using a dedicated current sense comparator. If the CS comparator input exceeds 0.5 V, the OUT pin switches low for cycle-by-cycle current limit. CS is held low for 90 ns after OUT switches high to blank the leading edge current spike.
GND	6	G	Ground connection return for internal circuits.
OUT	7	O	High current output to the external MOSFET gate input with source/sink current capability of 0.3 A and 0.7 A respectively.
QR	1	I	The auxiliary FLYBACK winding of the power transformer is monitored to detect the Quasi-Resonant operation. The peak auxiliary voltage is sensed to detect an output overvoltage (OVP) fault and shuts down the controller.
SS	3	O	An external capacitor and an internal 22 μ A current source sets the soft-start ramp.
VSD	2	O	Connect this pin to the Gate of the external start-up circuit FET; it will disable the start-up FET after VCC is valid.
VCC	8	P	VCC provides bias to controller and gate drive sections of the LM5023. An external capacitor must be connected from this pin to ground.

DEVICE INFORMATION



LM5023 Pin Configuration

FUNCTIONAL BLOCK DIAGRAM



TYPICAL CHARACTERISTICS

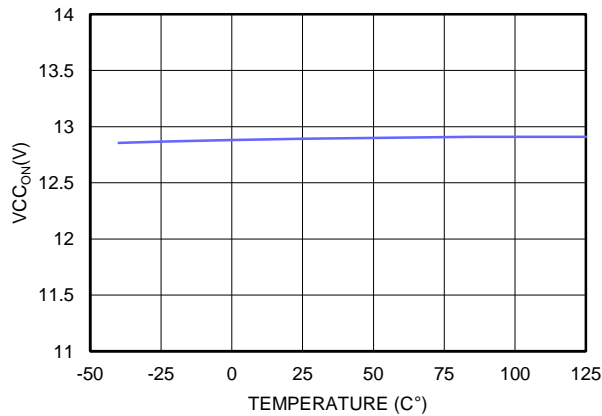


Figure 1. VCC_ON vs. Temperature

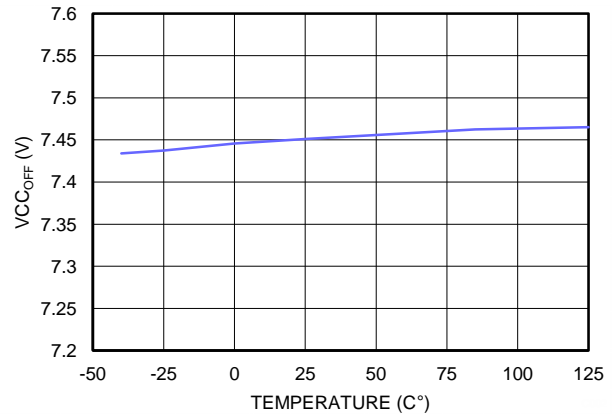


Figure 2. VCC_OFF vs. Temperature

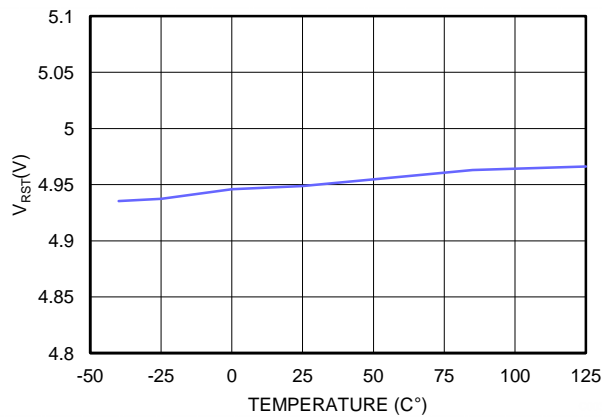


Figure 3. V_RST vs. Temperature

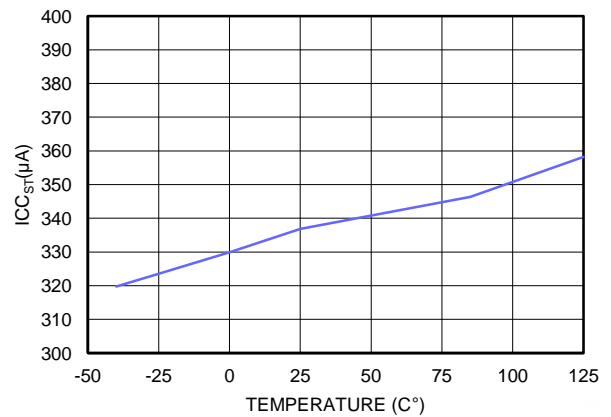


Figure 4. ICC_ST vs. Temperature

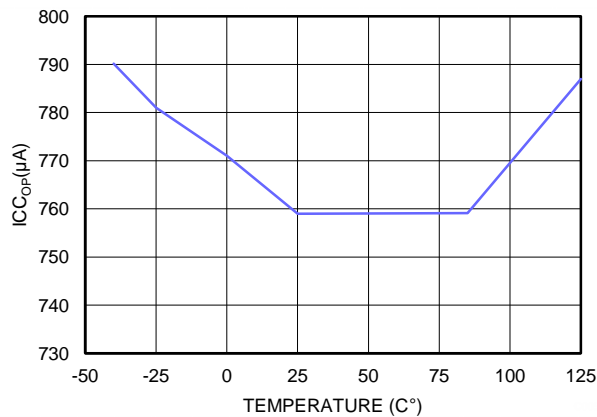


Figure 5. ICC_OP vs. Temperature

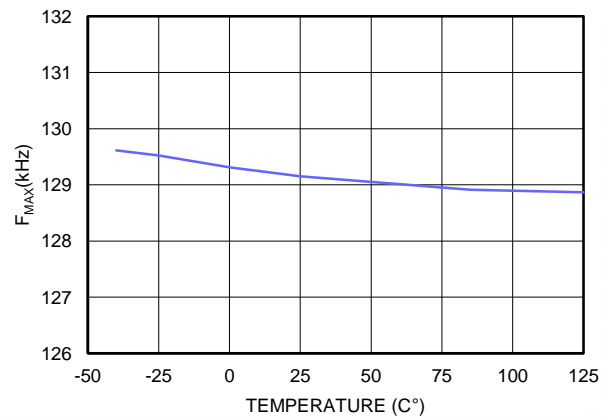


Figure 6. F_MAX vs. Temperature

TYPICAL CHARACTERISTICS (continued)

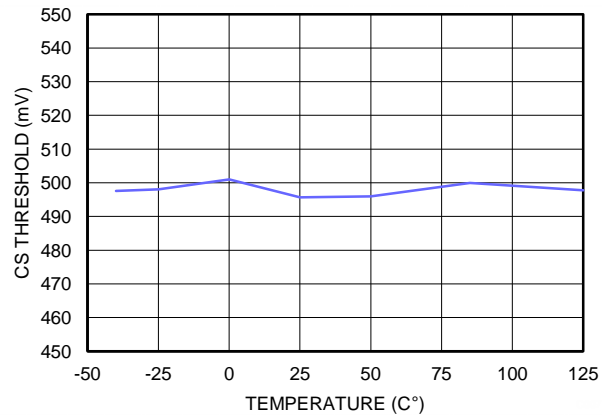


Figure 7. CS Threshold vs. Temperature

FUNCTIONAL DESCRIPTION

The LM5023 is a Quasi-Resonant controller which contains all of the features needed to implement a highly efficient off-line power supply. The LM5023 uses the transformer auxiliary winding for demagnetization detection to ensure Quasi-Resonant operation (Valley-Switching) to minimize switching losses. For application that need to meet the ENERGY STAR® low standby power requirements, the LM5023 features an extremely low I_q current (346 μA) and skip cycle mode which reduces power consumption at light loads. The LM5023 uses a feedback signal from the output to provide a very accurate output voltage regulation <1%. To reduce overheating and stress during a sustained overload conditions the LM5023 offers a hiccup mode for over current protection and provides a current limit restart timer to disable the outputs and forcing a delayed restart (hiccup mode).

For offline start-up, an external Depletion Mode N Channel MOSFET can be used. This method is recommended for applications where a very low standby power (<50 mW) is required. For application where a low standby power is not as critical an enhancement mode, N Channel MOSFET can be used. If an OVP is detected on the auxiliary winding (QR pin), the IC permanently latches off, requiring recycling of power to restart. Additional features include line-current-feed forward, pulse-by-pulse current limit, and a maximum frequency clamp of 130 kHz.

START-UP

Referring to [Figure 8](#), when the AC rectified line voltage is applied to the bulk energy storage capacitor; the N Channel Depletion Mode MOSFET is turned on and supplies the charging current to the VCC capacitor. When the voltage on the VCC pin reaches 12.5 V typical, the PWM controller, soft-start circuit and gate driver are enabled.

When the LM5023 is enabled and the OUT drive signal starts switching the Flyback MOSFET, energy is being stored and then transferred from the transformer primary to the secondary windings. A bias winding, shown in [Figure 8](#), delivers energy to the VCC capacitor to sustain the voltage on the VCC pin. The voltage supplied from the auxiliary winding should be within the range of 10 V to 14 V (where 16 V is the absolute maximum rating).

After reaching the VCC_{ON} threshold the LM5023 VSD open Drain output, which is pulled up to VCC during start-up, goes low. This applies a negative Gate to Source voltage on the Depletion Mode MOSFET turning it off. This disables the high voltage start-up circuit. The high voltage start-up circuit can be implemented in either of two ways; the first is shown in [Figure 8](#), which uses an N Channel Depletion Mode FET, the second is shown in [Figure 9](#), which uses an N Channel Enhancement Mode FET. The circuit using the Depletion Mode FET will have the lowest standby power. The standby power consumption of the FET is the voltage across the start-up FET multiplied by the Drain to Source Cutoff current with Gate negatively biased, this is typically 0.1 μA.

Standby Power of the Start-up FET calculation:

- V_{in} = 230Vac
- VCC = 10V
- V_{dc max} = 230Vac • √2 = 325Vdc
- I_{DOFF} = 0.1μA, I_{DOFF} is the Depletion MODE FETs leakage current
- P_d = I_{DOFF} • V_{dc max} = 0.1μA • 325Vdc = 32.5μW

When VCC < VCC(on) the current consumption of the I_C = I_{CC(st)}, nominally 340 μA.

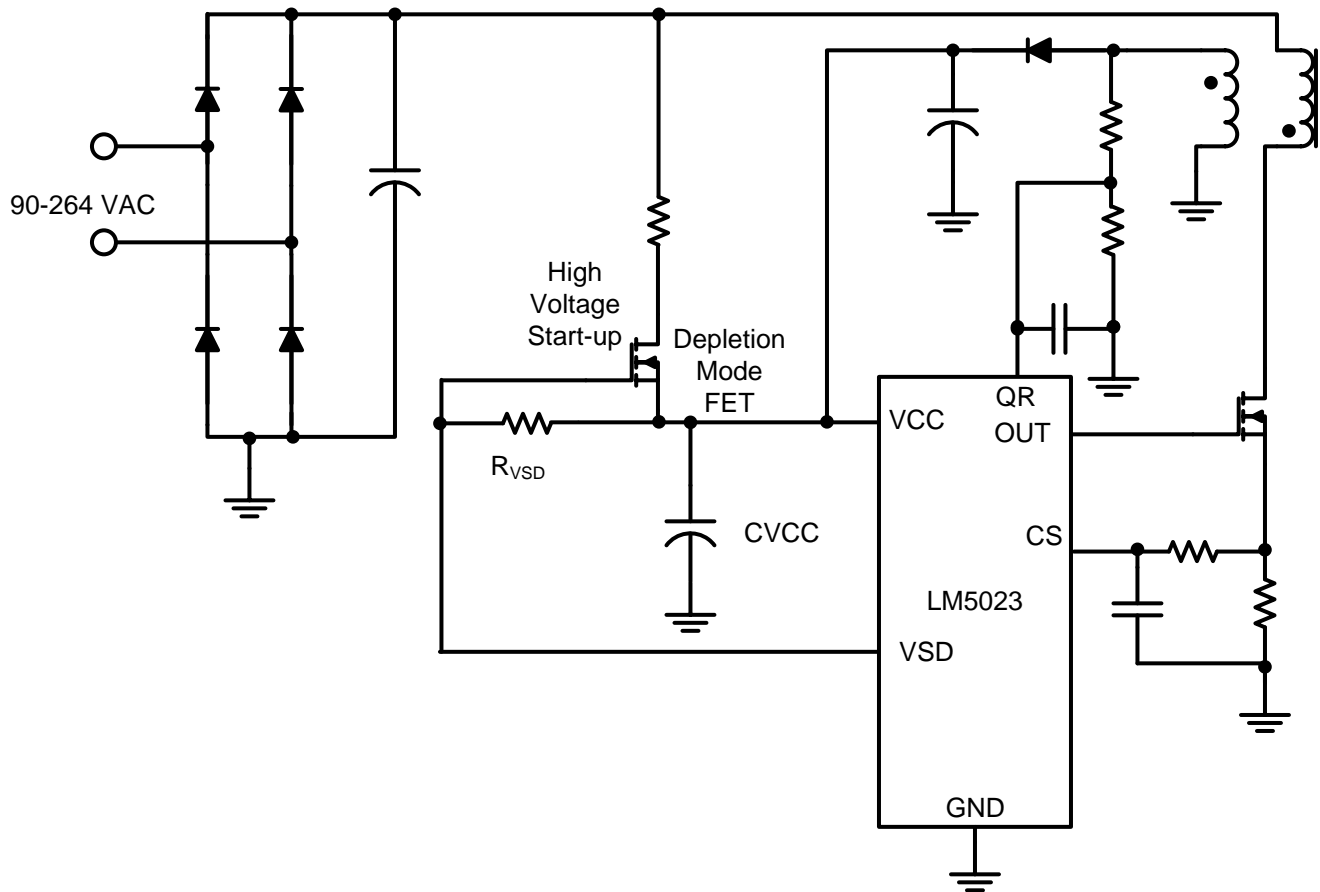


Figure 8. Start-Up With a Depletion Mode FET

An alternative start-up circuit employs an Enhancement Mode FET with resistors connected from the rectified dc bus to the Gate of the FET, [Figure 9](#). After the input AC power is applied the Enhancement Mode FET supplies the charging current to the VCC capacitor C_{VCC} . After reaching the $V_{CC_{ON}}$ threshold the LM5023 VSD open Drain output, which is pulled up to VCC during start-up, goes low. This grounds the Gate of the start-up MOSFET turning it off. The start-up resistors are always in the circuit, therefore the standby power consumed will be higher than if a Depletion Mode FET were used.

- $V_{in} = 230 \text{ Vac}$
- $V_{CC} = 10 \text{ V}$
- $V_{dc \text{ max}} = 230 \text{ Vac} \cdot \sqrt{2} = 325 \text{ Vdc}$
- $R_{\text{start-up}} = 10 \text{ M}\Omega$
- $$P_{\text{Resistors}} = \frac{V_{dc}^2}{R_{\text{start-up}}} = \frac{325^2}{10 \text{ M}\Omega} = 10.56 \text{ mW}$$

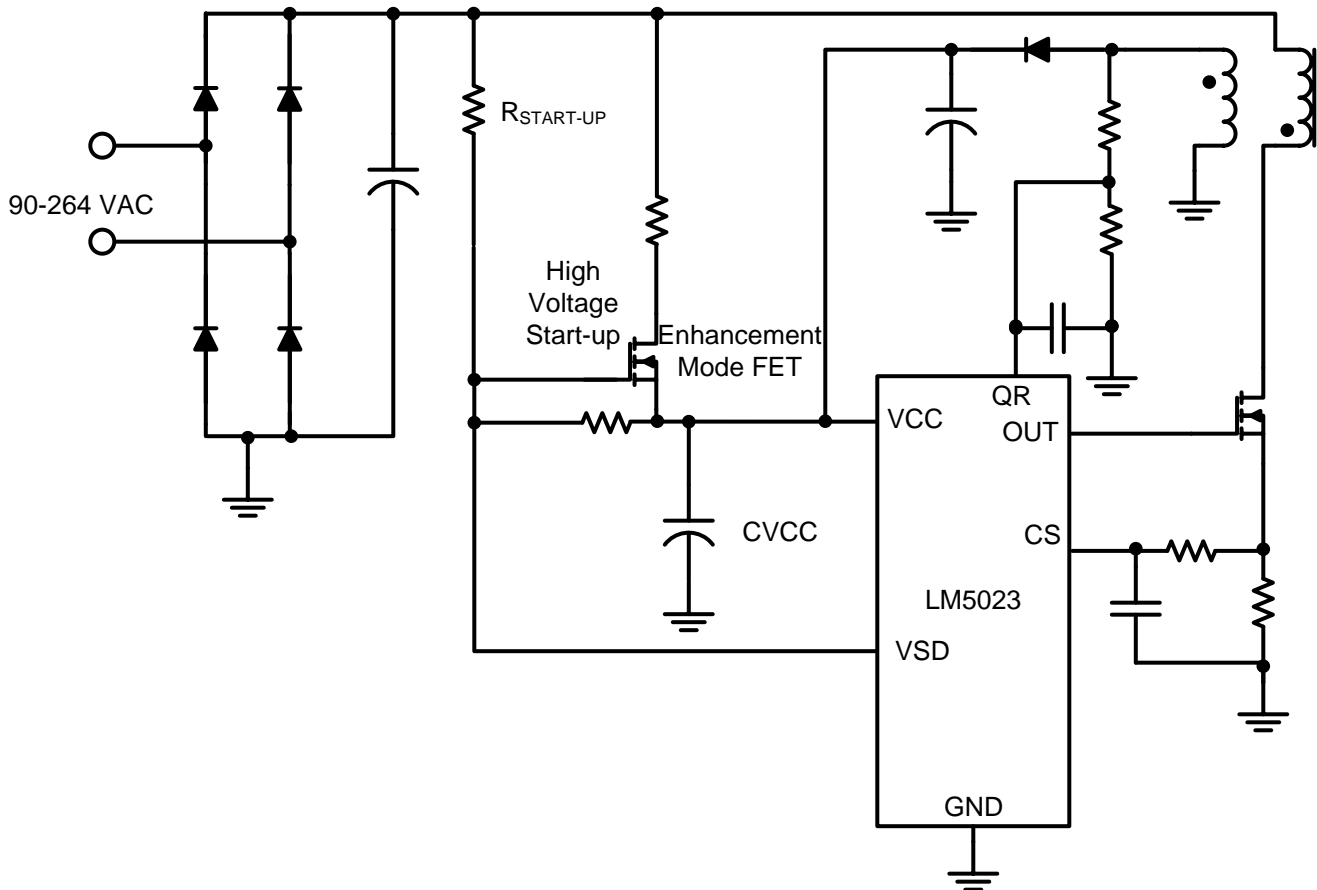


Figure 9. Start-Up With an Enhancement Mode FET

Quasi Resonant Operation

A Quasi-Resonant controlled Flyback converter operates by storing energy in the transformers primary during the MOSFETs on-time. During the on-time (T_{ON}) V_{IN} is applied across the primary of the transformer. The primary current starts out at zero and ramps towards a peak value (I_{PEAK}). When the peak primary current reaches the feedback compensation error voltage the PWM comparator resets the output drive, turning off the MOSFET. Due to the phasing of the transformer, the output diode is reversed biased during the MOSFET on-time.

During the MOSFETs off time the output diode is forward biased and the stored energy in the transformer primary inductor is transferred to the output. The voltage seen on the secondary inductor is V_{OUT} plus the output diodes forward voltage drop, V_F . The current in the output inductor linearly decreases from $I_{PEAK} \cdot N_s/N_p$ to zero, refer to Figure 11.

When the current in the secondary reaches zero, the transformer is demagnetized, and there is an open circuit on the secondary, and with the primary MOSFET also turned off, there is an open on the primary. A resonant circuit is formed between the transformers primary inductance and the MOSFET output capacitance. The resonant frequency is calculated by:

$$Freq = 2 \cdot \pi \cdot \sqrt{L_p \cdot COSS}$$

During the resonant period the Drain voltage of the MOSFET will ring down towards ground, refer to Figure 10. When the Drain voltage is at its minimum the Flyback MOSFET is turned back on. The point where the voltage is at its minimum is calculated by:

$$td = \pi \cdot \sqrt{L_p \cdot COSS}$$

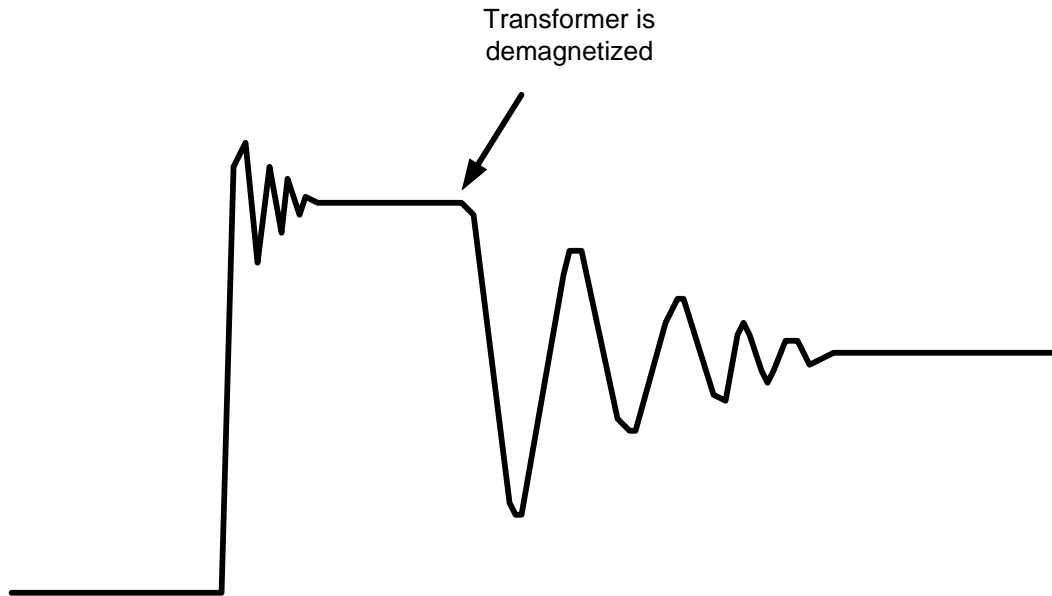


Figure 10. The Flyback Drain Voltage Waveform

Transformer demagnetization is detected by sensing the transformer's auxiliary winding. When the transformer is demagnetized, the auxiliary winding voltage follows the Drain of the MOSFET and changes from $V_{out} \cdot N_{aux}/N_s$ to $-V_{in} \cdot N_{aux}/N_p$. Internal to the LM5203 QR pin is a comparator with a 0.35 V reference. As the auxiliary winding voltage falls below 0.35 V, the voltage is sensed and the comparator sets the PWM Flip-Flop turning on the Flyback MOSFET. [Figure 11](#) shows the QR Converter typical waveforms; the auxiliary winding voltage, primary, and secondary current waveforms. It is possible to adjust the delay on the auxiliary winding with a resistor and external capacitor to ensure that the MOSFET switches when its Drain voltage is at its minimum, refer to the schematic in [Figure 14](#) and the section on Valley Switching for details. The benefits of QR operation are reduced EMI, and turn-on switching losses.

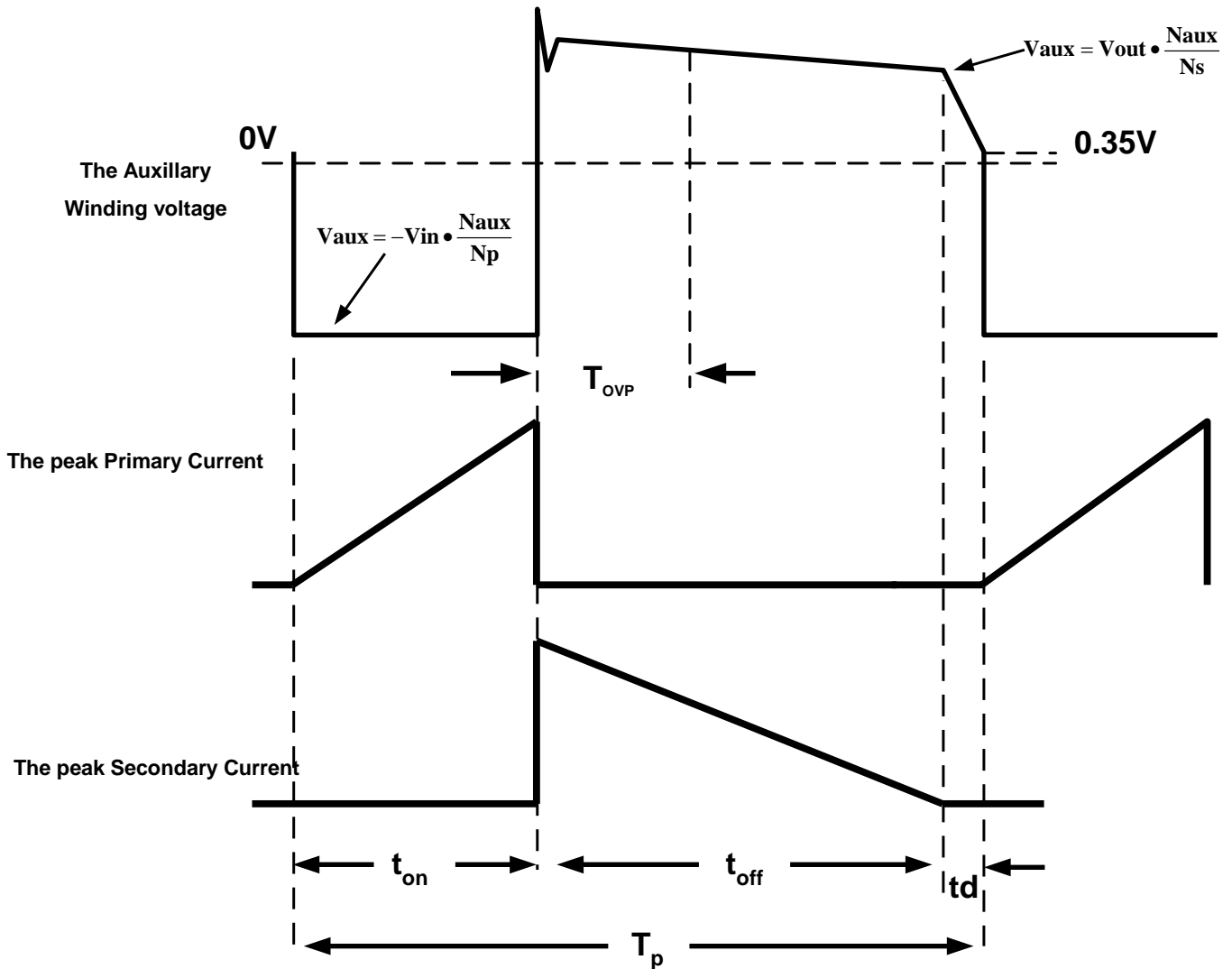


Figure 11. QR Converter Typical Waveforms

Quasi Resonant Operating Frequency

When the primary side Flyback MOSFET turns on, the current ramps up until the peak primary current exceeds the feedback compensation error voltage. When this occurs the PWM comparator resets the output drive, turning off the MOSFET. The current ramps up with a slope of:

$$\frac{V_{in}}{L_p} = \frac{di}{dt}$$

The t_{ON} time of the switch is calculated by:

$$t_{on} = \frac{L_p}{V_{in}} \cdot I_{pk}$$

When the primary side Flyback MOSFET is turned off, the energy stored in the primary inductance is transfer to the secondary inductance, the off time to transfer all of the energy is:

$$t_{off} = I_{pk} \cdot \frac{n \cdot L_p}{V_o + V_f}$$

The total switching period is:

$$T_p = t_{on} + t_{off} + t_{dly}$$

The resonant circuit created by the transformer primary inductance and the MOSFETs output capacitance is the t_{dly} time, refer to [Figure 11](#).

$$t_{dly} = \frac{\pi}{2} \cdot \sqrt{L_p \cdot C_{OSS}}$$

$$P_{out} = \frac{1}{2} \cdot L_p \cdot I_{pk}^2 \cdot Freq \cdot \eta$$

Combining equations:

$$Freq := \frac{1}{\left[L_p \cdot 2 \cdot P_{out} \cdot \left[\frac{n \cdot (V_o + V_f + V_{in})}{\eta \cdot \left[V_{in} \cdot \left[n \cdot (V_o + V_f) \right] \right]} \right]^2 \right]} + t_{dly}$$

From inspection of the equations, it can be seen that the QR Flyback converter does not operate at a fixed frequency. The frequency varies with the output load, input line voltage, or a combination of the two. In order to keep LM5023 frequency below the EMI starting limit of 150 kHz per CISPR--22, the LM5023 has an internal timer which prevents the output drive from restarting within 7.69 μ s of the previous driver output (OUT) high to low transition. This timer clamps the maximum switching frequency from exceeding 130 kHz (typical).

PWM Comparator

The PWM comparator compares the current sense signal with the loop error voltage from the COMP pin. The COMP pin voltage is reduced by a fixed 0.75 V offset and then attenuated by a 3:1 resistor divider. The PWM comparator input offset voltage is designed such that less than 0.75 V at the COMP pin will result in a zero duty cycle at the controller output.

Soft-Start

The soft-start feature allows the power converter to gradually reach the initial steady state operating point, thereby reducing start-up stresses and current surges. At power on, after the VCC reaches the $V_{CC_{ON}}$ threshold an internal 22 μ A current source charges an external capacitor connected to the SS pin. The capacitor voltage will ramp up slowly and will limit the COMP pin voltage and the duty cycle of the output pulses.

Gate Driver

The LM5023 driver (OUT) was designed to drive the gate of an N Channel MOSFET and is capable of sourcing a peak current of 0.4 A and sinking 0.7 A.

Skip Cycle Operation

During light load conditions, the efficiency of the switching power supply typically drops as the losses associated with switching and operating bias currents of the converter become a significant percentage of the power delivered to the load. The largest component of the power loss is the switching loss associated with the gate driver and external MOSFET gate charge. Each PWM cycle consumes a finite amount of energy as the MOSFET is turned on and then turned off. These switching losses are proportional to the frequency of operation.

To improve the light load efficiency the LM5023 enters a Skip Cycle mode during light load conditions. As the output load is decreased, the COMP pin voltage is reduced by the voltage feedback loop to reduce the Flyback converters peak primary current. Referring to the Block Diagram, the PWM comparator input tracks the COMP pin voltage through a 0.75 V level shift circuit and a 3:1 resistor divider. As the COMP pin voltage falls, the input to the PWM comparator falls proportionately. When the PWM comparator input falls to 125 mV, the Skip Cycle comparator detects the light load condition and disables output pulses from the controller. The LM5023 also reduces all internal bias currents, while in skip mode, to further reduce quiescent power. The controller continues to skip switching cycles until the power supply output falls and the COMP pin voltage increases to demand more output current. The number of cycles skipped will depend on the load and the response time of the frequency

voltage loop compensation network. Eventually the COMP voltage will increase when the voltage loop requires more current to sustain the regulated output voltage. When the PWM comparator input exceeds 135 mV (10 mV hysteresis), normal fixed frequency switching resumes. Typical light load operation power supply designs will produce a short burst of output pulses followed by a long skip cycle interval (no drive pulses). The result is a large reduction in the average input power.

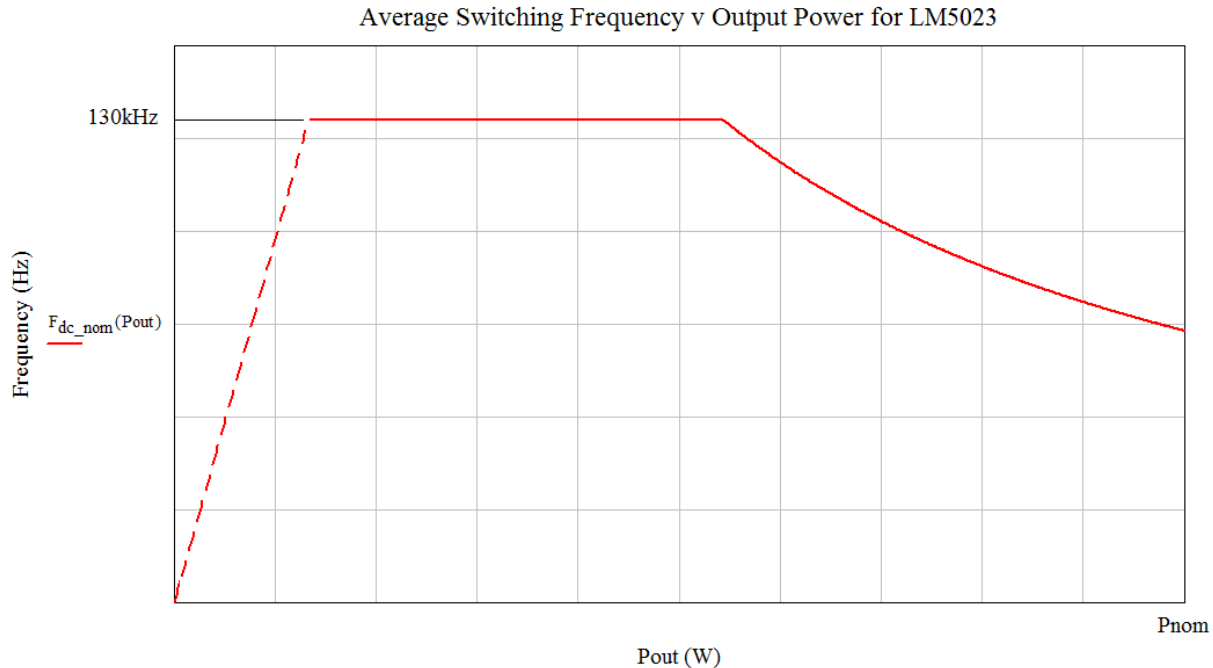


Figure 12. LM5023 Modulation Curve

Current Limit/Current Sense

The LM5023 provides a cycle-by-cycle over current protection feature. Current limit is triggered by an internal current sense comparator with a threshold of 500 mV. If the CS pin voltage plus the current limit feed forward signal voltage exceeds 500 mV, the MOSFET drive signal (OUT) will be terminated. An RC filter, located near the LM5023 CS pin is recommended to attenuate the noise coupled from the power FET's gate to source switching. The CS pin capacitance is discharged at the end of each PWM cycle by an internal switch. The discharge switch remains on for an additional 90 ns for Leading Edge Blanking (LEB). LEB prevents the LM5023 current sense comparator from being falsely triggered due to the noise generated by the switch currents initial spike. The LM5023 current sense comparator is very fast, and may respond to short duration noise pulses. Layout considerations are critical for the current sense filter and sense resistor. The capacitor associated with the CS filter must be placed very close to the device and connected directly to the pins of the IC (CS and GND). If a current sense transformer is used, both leads of the transformer secondary should be routed to the sense resistor, which should also be located close to the IC. If a current sense resistor located in the power FET's source is used for current sense, a low inductance resistor is required. In this case, all of the noise sensitive low current grounds should be connected in common near the IC and then a single connection should be made.

APPLICATION INFORMATION

Line Current Limit Feed Forward

In a peak current mode controlled when the power supply is in an overload, the peak current (measured across the current sense resistor VCS) is compared to a voltage reference for overload protection. If the peak current exceeds the reference the LM5023 controller will turn off the primary side Flyback MOSFET on a cycle-by-cycle basis. However, the primary switch can't be turned off instantly, as there are several unavoidable delays. The first delay is caused by the LEB circuit which provides leading-edge blanking. The second delay is caused by the propagation delay between the detecting point of VCS and the actual turn off of the power MOSFET. The total delay time (t_{prop}) refer to [Figure 13](#), includes the current limit comparator, the logic, the gate driver, and the power MOSFET turning off.

The propagation delay causes the peak primary current to overshoot, the overshoot increase the maximum peak current beyond the calculated value. The peak current overshoot increase as the AC line voltage increase because of the increase in the slope of the primary current:

$$\frac{V_{in}}{L_p} = \frac{di}{t_{prop}}$$

This increase in the peak input current overshoot causes a wide variation of overpower limit in a Flyback converter. In [Figure 4](#), it can be seen that the overpower limit increases with the input line voltage, because of I_{pkmax} increase:

$$I_{pk\ max} = \sqrt{\frac{P_{out} \cdot 2}{L_p \cdot Freq \cdot \eta}} + \frac{V_{in}}{L_p} \cdot t_{prop}$$

$$P_{in} = \frac{1}{2} \cdot I_{pk\ max}^2 \cdot L_p \cdot Freq$$

$$P_{out} = \frac{P_{in}}{\eta}$$

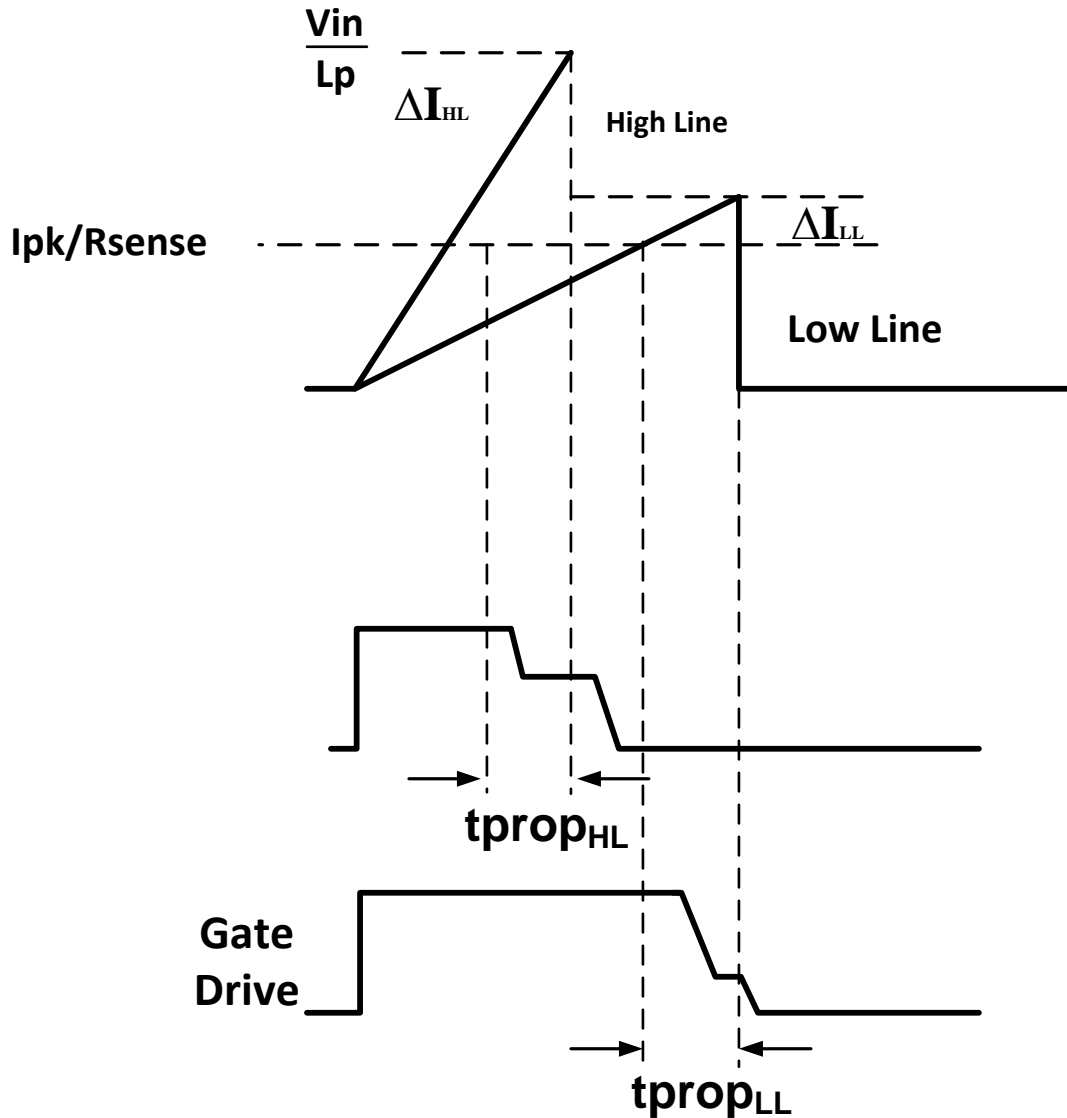


Figure 13. Line Current Feed Forward

To improve the overpower limit accuracy over the full Universal Input Line; the LM5023 integrates Line Current Limit Feed Forward. Line Current Limit Feed Forward improve the overpower limit by summing a current proportional to the input rectified line into the current sense resistor (R_{SENSE}), refer to Figure 14. The current proportional to the input line biases up the current sense pin, this turns off the Flyback MOSFET earlier at high input line. This feature compensates for the propagation delays creating a overpower protection that is nearly constant over the Universal Input Line.

To implement Line Current Limit Feed Forward, the first step is to calculate the QR switching frequency at low line and then at high line when the power supply is operating in current limit.

For our example:

- $L_p = 400 \mu\text{H}$
- $R_{SENSE} = 0.15 \Omega$
- $V_{dc_{min}} = 127 \text{ V}$
- $V_{dc_{max}} = 325 \text{ V}$
- $T_{prop} = 160 \text{ ns}$
- $V_{CS} = 0.5 \text{ V}$

- $n_{aux} = 10.9$
- $n = n_s/n_p = .167$
- $tdly = 580 \text{ ns}$

$$Freq_LL = \frac{1}{\left(\frac{V_{cs}}{R_{sense}}\right) \cdot L_p \cdot \left[\left(\frac{1}{V_{dc_min}}\right) + \frac{1}{(V_{out} + V_f) \cdot n}\right] + tdly}$$

$$Freq_LL = \frac{1}{\left(\frac{0.5V}{0.15\Omega}\right) \cdot 400\mu H \cdot \left[\left(\frac{1}{127V}\right) + \frac{1}{(19V + 0.7V) \cdot 6}\right] + 580ns} = 49.6kHz$$

$$Freq_HL = \frac{1}{\left(\frac{V_{cs}}{R_{sense}}\right) \cdot L_p \cdot \left[\left(\frac{1}{V_{dc_max}}\right) + \frac{1}{(V_{out} + V_f) \cdot 6}\right] + tdly}$$

$$Freq_HL = \frac{1}{\left(\frac{0.5V}{0.15\Omega}\right) \cdot 400\mu H \cdot \left[\left(\frac{1}{325V}\right) + \frac{1}{(19V + 0.7V) \cdot 6}\right] + 580ns} = 62.3kHz$$

The next step is to calculate the uncompensated output power at the minimum and maximum input line voltage while in current limit.

$$P_{out_LL} = \frac{1}{2} \cdot L_p \cdot \left(\frac{V_{CS}}{R_{sense}}\right)^2 \cdot Freq_LL \cdot \eta$$

$$P_{out_LL} = \frac{1}{2} \cdot 400\mu H \cdot \left(\frac{0.5}{0.15}\right)^2 \cdot 49.6kHz \cdot 0.86 = 94.9W$$

$$P_{out_HL} = \frac{1}{2} \cdot L_p \cdot \left(\frac{V_{CS}}{R_{sense}}\right)^2 \cdot Freq_HL \cdot \eta$$

$$P_{out_HL} = \frac{1}{2} \cdot 400\mu H \cdot \left(\frac{0.5}{0.15}\right)^2 \cdot 62.3kHz \cdot 0.86 = 119.1W$$

Step three is to calculate the peak current at high line so it does not deliver more power than while it is operating at low line (94.9 W). One thing that complicates the Line Current Limit Feed Forward calculation is that with Quasi Resonant operation the switching frequency changes with line and load. We have two equations and two unknowns, the peak primary current and the QR frequency. This requires use of the quadratic equation:

$$ax^2 + Bx + C = 0$$

The positive root is:

$$x = \frac{(B + \sqrt{B^2 + 4DT})}{4}$$

$$Freq_Comp = \frac{4}{\left[\left(\sqrt{4 \cdot tdly + \frac{2 \cdot L_p \cdot P_{out_LL} \cdot (V_{out} + V_f + n \cdot V_{dc_max})^2}{\eta \cdot V_{dc_max}^2 \cdot (V_{out} + V_f)^2}}\right) + \frac{\sqrt{2} \cdot L_p \cdot V_{out} + V_f + n \cdot V_{dc_max} \cdot \sqrt{\frac{P_{out_LL}}{\eta \cdot L_p}}}{V_{dc_max} \cdot (V_{out} + V_f)}\right]^2}$$

$$\text{Freq_Comp} = \frac{4}{\left[\left(\sqrt{4 \cdot 580\text{ns} + \frac{2 \cdot 400\mu\text{H} \cdot 94.9 \cdot (19 + 0.7 + 0.167 \cdot 325\text{V})^2}{0.86 \cdot 325\text{V}^2 \cdot (19\text{V} + 0.7\text{V})^2}} \right) + \frac{\sqrt{2} \cdot 400\mu\text{H} \cdot (19\text{V} + 0.7\text{V} + 0.167 \cdot 325\text{V}) \cdot \sqrt{\frac{94.9\text{W}}{0.86 \cdot 400\mu\text{H}}}}{325\text{V} \cdot (19\text{V} + 0.7\text{V})} \right]^2} = 76.8\text{kHz}$$

Step four is to calculate the peak current.

$$\text{ILmax_LL} = \sqrt{\frac{2 \cdot \text{Pout_LL}}{\eta \cdot \text{Lp} \cdot \text{Freq_Comp}}}$$

$$\text{ILmax_LL} = \sqrt{\frac{2 \cdot 94.9\text{W}}{0.86 \cdot 400\mu\text{H} \cdot 76.8\text{kHz}}} = 2.679\text{Apk}$$

$$\text{VCS_CL} = \text{Rsense} \cdot \left[\text{ILmax_CL} - \left(\frac{\text{Vdcmax}}{\text{Lp}} \right) \cdot \text{tprop} \right]$$

$$\text{VCS_CL} = 0.15\Omega \cdot \left[2.679\text{Apk} - \left(\frac{325\text{V}}{400\mu\text{H}} \right) \cdot 160\text{ns} \right] = 0.382\text{V}$$

For the power supply to go into pulse-by-pulse current limit the voltage across the current sense resistor must be 0.5 V, so:

$$\text{VCS_OFFSET} := \text{V}_{\text{CS}} - \text{VCS_CL}$$

VCS_OFFSET is the required voltage offset that must be injected across the current sense resistor, R_{SENSE}.

$$\text{VCS_OFFSET} := \text{V}_{\text{CS}} - \text{VCS_CL} = 0.5\text{V} - 0.382\text{V} = 0.118\text{V}$$

After calculating the required offset voltage, use the following equations to calculate the required current feed forward:

While the main Flyback switch is on, Q1, the voltage on the Auxiliary winding will be negative and proportional to the rectified line.

$$-V_{\text{aux}} = \frac{\text{Vdc}}{\text{Naux}}$$

$$\text{IQR} = \frac{-V_{\text{aux}}}{\text{R1}}$$

IQR should be chosen in the range of 1 ma to 4 ma. The demagnetization circuit impedance should be calculated to limit the maximum current flowing through Pin 1 to less than 4 mA.

$$\text{R}_{\text{OFFSET}} = 6.6\text{ k}\Omega + \text{R}_{\text{EXTERNAL}} \text{ (the } 6.6\text{ k}\Omega \text{ resistance is internal to the LM5023).}$$

Where: Naux is the number of turns on the Flyback primary (Np) divided by the number of turns on the transformer Auxiliary (Naux) winding. The current mirror in the QR pin input has a gain of 100; this will offset the voltage on the current sense pin by:

$$\text{VCS}_{\text{OFFSET}} = \frac{\text{IQR}}{100} \cdot (6.6\text{k}\Omega + \text{R}_{\text{EXTERNAL}})$$

Set IQR= 1.75 mA

$$\text{R1} = \frac{\text{Vdcmax}}{\frac{\text{n}_{\text{aux}}}{\text{IQR}}} = \frac{325\text{V}}{\frac{10.9}{1.75\text{mA}}} = 17.0\text{k}\Omega$$

$$R_{\text{OFFSET}} = \frac{V_{\text{OFFSET}}}{I_{\text{QR}}} \cdot 100 = \frac{0.118\text{V}}{1.75\text{mA}} \cdot 100 = 6742\Omega$$

$$R_{\text{OFFSET}} = R_{\text{INTERNAL}} + R_{\text{EXTERNAL}}$$

$$R_{\text{EXTERNAL}} = R_{\text{OFFSET}} - 6.6\text{k}\Omega = 6742\Omega - 6.6\text{k}\Omega = 142\Omega$$

No external resistor is required based on the applications describe above, so a 499 Ω resistor and 100 pF capacitor are installed in the CS pin input as a noise filter.

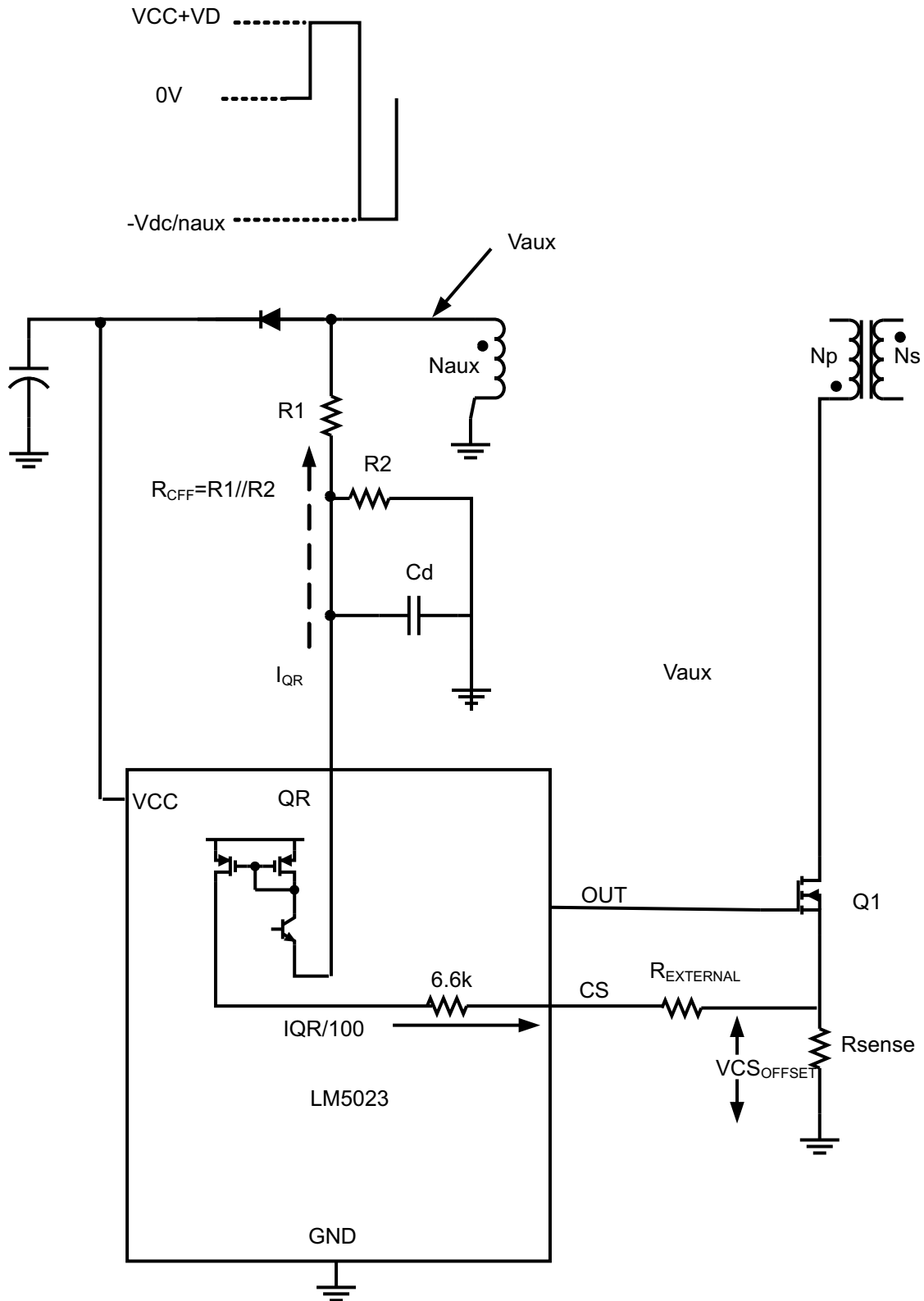


Figure 14. Current Feed Forward

Overvoltage Protection

Output overvoltage protection is implemented with the LM5023 by monitoring the QR pin during the time when the main Flyback MOSFET is off and the energy stored in the transformer primary is being transferred to the secondary. There is a delay prior to sampling the QR pin during the MOSFETs off time, TOVP. There are two reasons for the delay, the first is to blank the voltage spike which is a result of the transformers leakage inductance. The second is to improve the accuracy of the output voltage sensing, referring to the transformer auxiliary winding voltage shown in [Figure 11](#). It is clear there is a down slope in the voltage which represents the decreasing VF of the output rectifier and resistance voltage drop ($I_S \times R_S$) as the secondary current decreases to zero, so by delaying the sampling of the QR voltage a more accurate representation of the output voltage is achieved.

Connected to the QR pin is a comparator with a 3.0 V reference. The transformers auxiliary voltage is proportional to V_{out} by the transformers turns ratio:

$$V_{aux} = (V_O + V_F) \cdot N_{aux} / N_s \quad (1)$$

To set the OVP, a voltage divider is connected to the transformers auxiliary winding, refer to [Figure 13](#). In the section titled Line Current Limit Feed Forward, we developed equations to improve the power limit. Resistor R1 was calculated for Line Current Limit Feed Forward; to implement OVP we now need to calculate R2.

$$V_{OVP} = V_{aux_OVP} \cdot \frac{R2}{R1 + R2}$$

$$R2 = 3.0V \cdot \frac{R1}{V_{aux_OVP} - 3V}$$

When an OVP fault has been detected, the LM5023 OUT driver is latched-off. VCC will discharge to V_{CCMIN} and the VSD pin will be asserted high, allowing the Depletion Mode FET to turn-on and charge up the VCC capacitor to V_{CCON} . The VSD pin will be toggled on-off-on to maintain VCC to the controller. The only way to clear the fault is to removed the input power and allow the controllers VCC voltage to drop below V_{RST} , 5.0 V.

Valley Switching

For QR operation the Flyback MOSFET is turned on with the minimum Drain voltage. The delay on the auxiliary winding can be adjusted with an external resistor and capacitor to improve valley switching. The delay-time, $tdly$, must equal half of the natural oscillation period:

$$tdly = \frac{\pi}{2} \cdot \sqrt{L_p \cdot COSS}$$

By substituting

$$tdly = RFF \cdot Cd$$

We can calculate the RC time constant to achieve the minimum Drain voltage when the LM5023 turns on the Flyback MOSFET.

$$Cd := \frac{\left[\left(\frac{\pi}{2} \right) \cdot \sqrt{L_{p_used} \cdot COSS} \right]}{RFF}$$

The LM5023 QR pin's capacitance is approximately 20 pF, so $Cd_{USED} = Cd - 20$ pF

$$RFF := \frac{(R1 \cdot R2)}{(R1 + R2)}$$

R1 and R2 were previously calculated to set the Line Current Limit Feed Forward and Overvoltage protection.

Hiccup Mode

Hiccup Mode is a method to prevent the power supply from over-heating during and extended overload condition. In an overload fault, the current limit comparator turns off the driver output on pulse-by-pulse basis. This starts the Over Load Detection Timer, after the Over Load Detection Timer (OLDT) times out, the current limit comparator is rechecked, if the power supply is still in an overload condition, the OUT drive is Latched-off and VCC is allowed to drop to VCC_{OFF} (7.5 V).

When VCC reaches VCC_{OFF}, the VSD open drain output is disabled allowing the Depletion Mode start-up FET to turn-on, charging up the VCC capacitor to VCC_{ON} (12.5 V). When VCC reaches VCC_{ON}, the VSD output goes low turning-off the Depletion Mode FET. The VCC capacitor is discharged from VCC_{ON} to VCC_{OFF} at a rate proportional to the VCC capacitor and the ICC_{ST} current (346 μA typical). The charging and discharging of the VCC capacitor is repeated four times (refer to [Figure 15](#)) so the total Hiccup time is:

$$t_{\text{HICCUP}} = t_{\text{CHARGE}} \bullet 4 + t_{\text{DISCHARGE}} \bullet 4$$

After allowing VCC to charge and discharge four times, the LM5023 goes through an auto restart sequence, enabling the LM5023 soft-start and driver output. It is important to set the Over Load Detection Timer long enough so that under low input line and full load conditions that the power supply will have enough time to start-up.

The Over Load Detection Timer can be set with the resistor in series with the VSD pin (R_{VSD}), refer to [Figure 8](#).

$$I_{\text{VSD}} = \frac{V_{\text{CC}}}{R_{\text{VSD}}} = \frac{10\text{V}}{1\text{M}\Omega} = 10\mu\text{A}$$

$$\text{OVER_Load_Detection_Timer} = \frac{2 \bullet 60\text{nA}}{I_{\text{VSD}}} = \frac{2 \bullet 60\text{nA}}{10\mu\text{A}} = 12\text{msec}$$

Normally it is recommended that R_{VSD} > 1 MΩ, if a lower value is used then the standby power will be higher.

Assuming:

If the Depletion Mode FET charges the VCC capacitor with 2 mA, VCC Capacitor is 10 μF.

$$t_{\text{CHARGE}} = \frac{(V_{\text{CCON}} - V_{\text{CCOFF}})}{I_{\text{CHARGE}}} \bullet C_{\text{VCC}} = \frac{12.5\text{V} - 7.5\text{V}}{2\text{mA}} \bullet 10\mu\text{F} = 25\text{ms}$$

$$t_{\text{DISCHARGE}} = \frac{(V_{\text{CCON}} - V_{\text{CCOFF}})}{I_{\text{CCST}}} \bullet C_{\text{VCC}} = \frac{12.5\text{V} - 7.5\text{V}}{346\mu\text{A}} \bullet 10\mu\text{F} = 145\text{ms}$$

$$t_{\text{HICCUP}} = 25\text{ms} \bullet 4 + 145\text{ms} \bullet 4 = 680\text{ms}$$

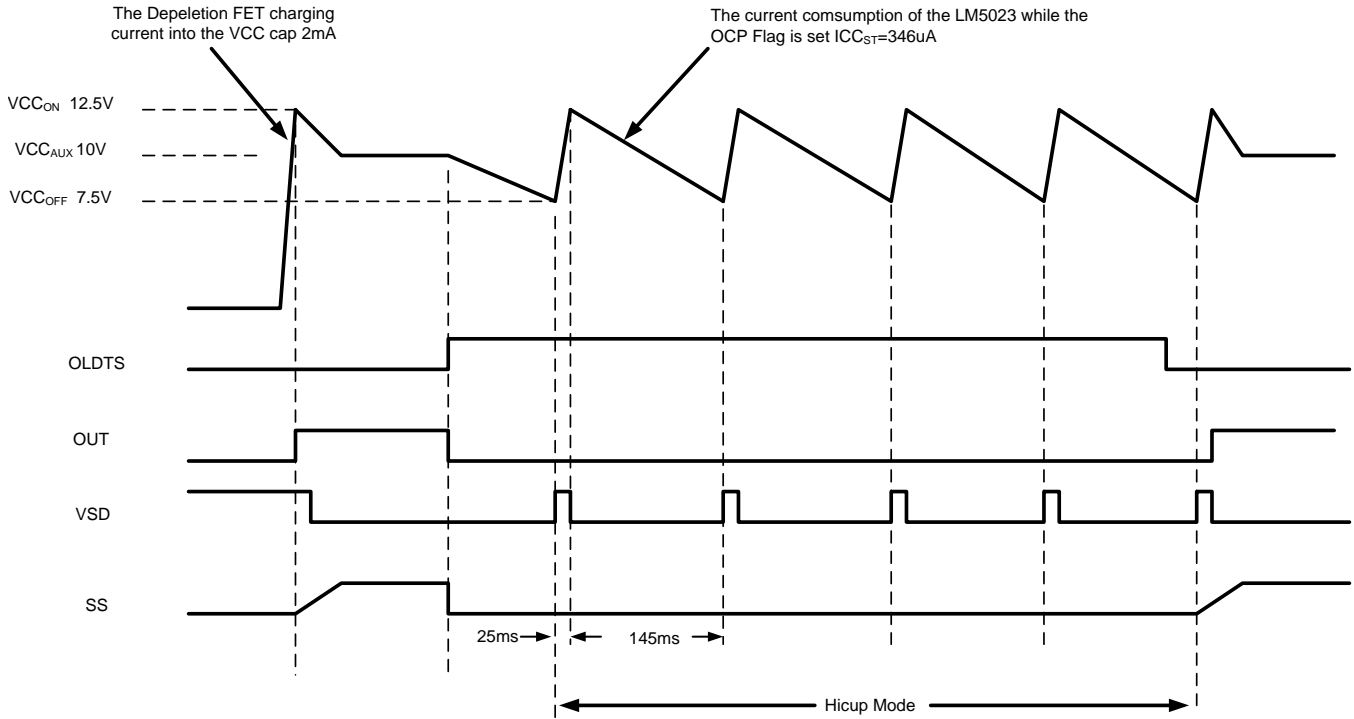
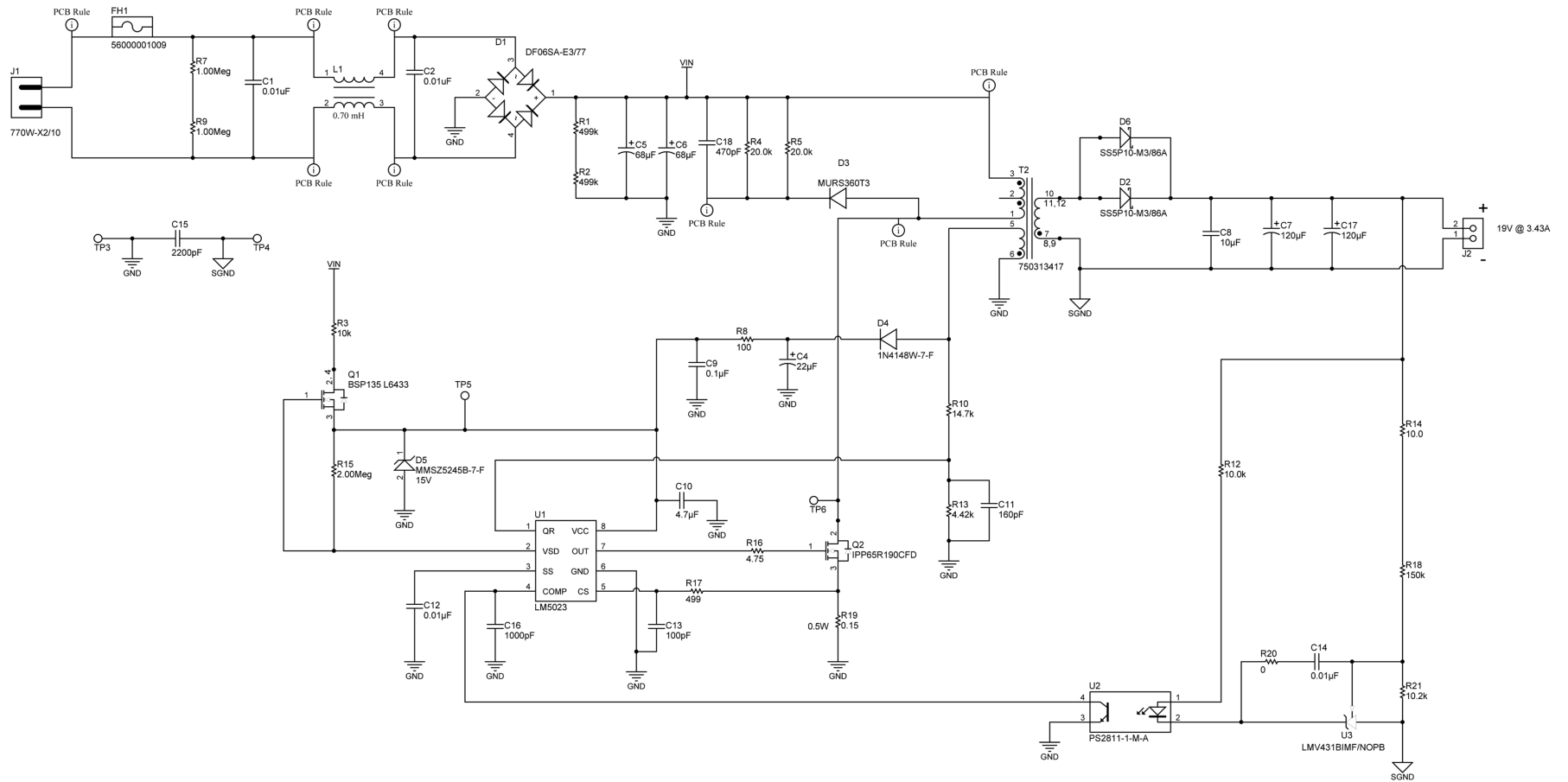


Figure 15. Hicup Mode Timing

EVALUATION BOARD SCHEMATIC



REVISION HISTORY

Changes from Revision C (August, 2013) to Revision D	Page
• Added LM5023 Pin Configuration	5
• Changed FUNCTIONAL BLOCK DIAGRAM.	6
• Added VCC < VCC(on) the current consumption.	9
• Changed IQR equation from R_{OFFSET} to R1.	19
• Changed Current Feed Forward resistor value from 1 k Ω to 6.6 k Ω	21

PACKAGING INFORMATION

Orderable Device	Status (1)	Package Type	Package Drawing	Pins	Package Qty	Eco Plan (2)	Lead finish/ Ball material (6)	MSL Peak Temp (3)	Op Temp (°C)	Device Marking (4/5)	Samples
LM5023MM-2/NOPB	ACTIVE	VSSOP	DGK	8	1000	RoHS & Green	SN	Level-1-260C-UNLIM	-40 to 125	SK9B	Samples
LM5023MMX-2/NOPB	ACTIVE	VSSOP	DGK	8	3500	RoHS & Green	SN	Level-1-260C-UNLIM	-40 to 125	SK9B	Samples

(1) The marketing status values are defined as follows:

ACTIVE: Product device recommended for new designs.

LIFEBUY: TI has announced that the device will be discontinued, and a lifetime-buy period is in effect.

NRND: Not recommended for new designs. Device is in production to support existing customers, but TI does not recommend using this part in a new design.

PREVIEW: Device has been announced but is not in production. Samples may or may not be available.

OBSOLETE: TI has discontinued the production of the device.

(2) **RoHS:** TI defines "RoHS" to mean semiconductor products that are compliant with the current EU RoHS requirements for all 10 RoHS substances, including the requirement that RoHS substance do not exceed 0.1% by weight in homogeneous materials. Where designed to be soldered at high temperatures, "RoHS" products are suitable for use in specified lead-free processes. TI may reference these types of products as "Pb-Free".

RoHS Exempt: TI defines "RoHS Exempt" to mean products that contain lead but are compliant with EU RoHS pursuant to a specific EU RoHS exemption.

Green: TI defines "Green" to mean the content of Chlorine (Cl) and Bromine (Br) based flame retardants meet JS709B low halogen requirements of <=1000ppm threshold. Antimony trioxide based flame retardants must also meet the <=1000ppm threshold requirement.

(3) MSL, Peak Temp. - The Moisture Sensitivity Level rating according to the JEDEC industry standard classifications, and peak solder temperature.

(4) There may be additional marking, which relates to the logo, the lot trace code information, or the environmental category on the device.

(5) Multiple Device Markings will be inside parentheses. Only one Device Marking contained in parentheses and separated by a "~" will appear on a device. If a line is indented then it is a continuation of the previous line and the two combined represent the entire Device Marking for that device.

(6) Lead finish/Ball material - Orderable Devices may have multiple material finish options. Finish options are separated by a vertical ruled line. Lead finish/Ball material values may wrap to two lines if the finish value exceeds the maximum column width.

Important Information and Disclaimer:The information provided on this page represents TI's knowledge and belief as of the date that it is provided. TI bases its knowledge and belief on information provided by third parties, and makes no representation or warranty as to the accuracy of such information. Efforts are underway to better integrate information from third parties. TI has taken and continues to take reasonable steps to provide representative and accurate information but may not have conducted destructive testing or chemical analysis on incoming materials and chemicals. TI and TI suppliers consider certain information to be proprietary, and thus CAS numbers and other limited information may not be available for release.

In no event shall TI's liability arising out of such information exceed the total purchase price of the TI part(s) at issue in this document sold by TI to Customer on an annual basis.

TAPE AND REEL INFORMATION

QUADRANT ASSIGNMENTS FOR PIN 1 ORIENTATION IN TAPE


*All dimensions are nominal

Device	Package Type	Package Drawing	Pins	SPQ	Reel Diameter (mm)	Reel Width W1 (mm)	A0 (mm)	B0 (mm)	K0 (mm)	P1 (mm)	W (mm)	Pin1 Quadrant
LM5023MM-2/NOPB	VSSOP	DGK	8	1000	178.0	12.4	5.3	3.4	1.4	8.0	12.0	Q1
LM5023MMX-2/NOPB	VSSOP	DGK	8	3500	330.0	12.4	5.3	3.4	1.4	8.0	12.0	Q1

TAPE AND REEL BOX DIMENSIONS


*All dimensions are nominal

Device	Package Type	Package Drawing	Pins	SPQ	Length (mm)	Width (mm)	Height (mm)
LM5023MM-2/NOPB	VSSOP	DGK	8	1000	208.0	191.0	35.0
LM5023MMX-2/NOPB	VSSOP	DGK	8	3500	367.0	367.0	35.0

DGK (S-PDSO-G8)

PLASTIC SMALL-OUTLINE PACKAGE



- NOTES:
- A. All linear dimensions are in millimeters.
 - B. This drawing is subject to change without notice.
 - C. Body length does not include mold flash, protrusions, or gate burrs. Mold flash, protrusions, or gate burrs shall not exceed 0.15 per end.
 - D. Body width does not include interlead flash. Interlead flash shall not exceed 0.50 per side.
 - E. Falls within JEDEC MO-187 variation AA, except interlead flash.



- NOTES:
- A. All linear dimensions are in millimeters.
 - B. This drawing is subject to change without notice.
 - C. Publication IPC-7351 is recommended for alternate designs.
 - D. Laser cutting apertures with trapezoidal walls and also rounding corners will offer better paste release. Customers should contact their board assembly site for stencil design recommendations. Refer to IPC-7525 for other stencil recommendations.
 - E. Customers should contact their board fabrication site for solder mask tolerances between and around signal pads.

重要声明和免责声明

TI“按原样”提供技术和可靠性数据（包括数据表）、设计资源（包括参考设计）、应用或其他设计建议、网络工具、安全信息和其他资源，不保证没有瑕疵且不做任何明示或暗示的担保，包括但不限于对适销性、某特定用途方面的适用性或不侵犯任何第三方知识产权的暗示担保。

这些资源可供使用 TI 产品进行设计的熟练开发人员使用。您将自行承担以下全部责任：(1) 针对您的应用选择合适的 TI 产品，(2) 设计、验证并测试您的应用，(3) 确保您的应用满足相应标准以及任何其他功能安全、信息安全、监管或其他要求。

这些资源如有变更，恕不另行通知。TI 授权您仅可将这些资源用于研发本资源所述的 TI 产品的应用。严禁对这些资源进行其他复制或展示。您无权使用任何其他 TI 知识产权或任何第三方知识产权。您应全额赔偿因在这些资源的使用中对 TI 及其代表造成的任何索赔、损害、成本、损失和债务，TI 对此概不负责。

TI 提供的产品受 [TI 的销售条款](#) 或 [ti.com](#) 上其他适用条款/TI 产品随附的其他适用条款的约束。TI 提供这些资源并不会扩展或以其他方式更改 TI 针对 TI 产品发布的适用的担保或担保免责声明。

TI 反对并拒绝您可能提出的任何其他或不同的条款。

邮寄地址：Texas Instruments, Post Office Box 655303, Dallas, Texas 75265
Copyright © 2021，德州仪器 (TI) 公司

X-ON Electronics

Largest Supplier of Electrical and Electronic Components

Click to view similar products for [Switching Controllers](#) category:

Click to view products by [Texas Instruments](#) manufacturer:

Other Similar products are found below :

[NCP1218AD65R2G](#) [NCP1244BD065R2G](#) [NCP6153MNTWG](#) [NCP81101BMNTXG](#) [NCP81205MNTXG](#) [SJE6600](#) [SG3845DM](#)
[NCP4204MNTXG](#) [NCP6132AMNR2G](#) [NCP81102MNTXG](#) [NCP81206MNTXG](#) [MAX1653ESET](#) [NCP1240FD065R2G](#)
[NCP1361BABAYSNT1G](#) [NCP1230P100G](#) [NX2124CSTR](#) [NCP1366BABAYDR2G](#) [NCP81174NMNTXG](#) [NCP4308DMTTWG](#)
[NCP4308AMTTWG](#) [NCP1366AABAYDR2G](#) [NCP1251FSN65T1G](#) [NCP1246BLD065R2G](#) [NTE7233](#) [ISL69122IRAZ](#) [MB39A136PFT-G-](#)
[BND-ERE1](#) [NCP1256BSN100T1G](#) [LV5768V-A-TLM-E](#) [NCP1365BABCYDR2G](#) [NCP1365AABCYDR2G](#) [NCP1246ALD065R2G](#)
[AZ494AP-E1](#) [CR1510-10](#) [NCP4205MNTXG](#) [XC9221C093MR-G](#) [XRP6141ELTR-F](#) [RY8017](#) [LP6260SQVF](#) [LP6298QVF](#) [ISL6121LIB](#)
[ISL6225CA](#) [ISL6244HRZ](#) [ISL6268CAZ](#) [ISL6315IRZ](#) [ISL6420AIAZ-TK](#) [ISL6420AIRZ](#) [ISL6420IAZ](#) [ISL6421ERZ](#) [ISL6440IA](#)
[ISL6441IRZ-TK](#)