

LM78L 100-mA Fixed Output Linear Regulator

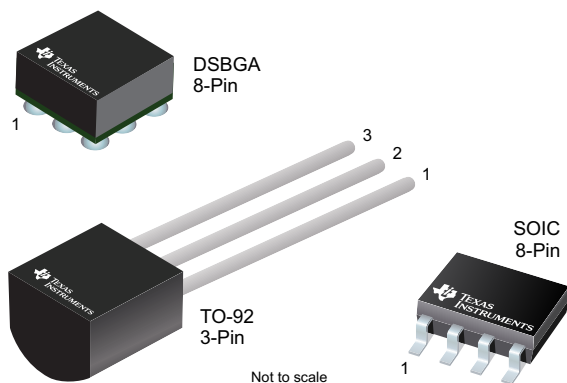
1 Features

- For lower cost alternative, see the [UA78L](#)
- Input voltage up to 30 V
- Output voltage tolerances of $\pm 5\%$ over the temperature range
- Available output voltages: 5 V, 6.2 V, 8.2 V, 9 V, 12 V, and 15 V
- Output current of 100 mA
- Output transistor safe area protection
- Internal thermal overload protection
- Internal short-circuit current limit
- No external components
- Available in tiny DSBGA package
- Available in 3-pin TO-92 and 8-pin SOIC low profile packages

2 Applications

- [Battery chargers](#)
- [Portable instrumentation](#)
- [LED lighting](#)
- [Appliances](#)

Package Options



3 Description

The LM78L series (LM78Lxx throughout this document) of three terminal positive regulators is available with several fixed output voltages, making them useful in a wide range of applications. Used as a Zener-diode and resistor combination replacement, the LM78Lxx usually provides an effective output impedance improvement of two orders of magnitude and lower quiescent current. These regulators can provide local, on-card regulation, eliminating distribution problems associated with single-point regulation. The available voltages allow the LM78Lxx to be used in logic systems, instrumentation, HiFi, and other solid-state electronic equipment.

The LM78Lxx is available in the plastic TO-92 (LP) package, the SOIC (D) package, and a chip-sized package (8-Bump DSBGA) using TI's DSBGA package technology. With adequate heat sinking, the regulator can deliver 100-mA output current. Current limiting is included to limit the peak output current to a safe value. Safe area protection for the output transistors is provided to limit internal power dissipation. If internal power dissipation is too high for the heat sinking provided, the thermal shutdown circuit prevents the IC from overheating.

See the [AN-1112 DSBGA Wafer Level Chip Scale Package application note](#) for DSBGA considerations. For more information on the TO-92 package, see the [TO-92 Packing Options/Ordering Instructions application report](#).

Device Information⁽¹⁾

| PART NUMBER | PACKAGE | BODY SIZE (NOM) |
|-------------|-----------|-------------------|
| LM78L | DSBGA (8) | 1.30 mm x 1.30 mm |
| | SOIC (8) | 3.90 mm x 4.90 mm |
| | TO-92 (3) | 3.70 mm x 4.70 mm |

(1) For all available packages, see the orderable addendum at the end of the data sheet.

Fixed Output Regulator Circuit

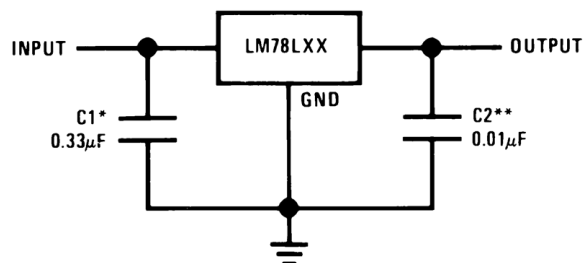


Table of Contents

| | | | |
|--|-----------|--|-----------|
| 1 Features | 1 | 8.2 Functional Block Diagram | 11 |
| 2 Applications | 1 | 8.3 Feature Description | 12 |
| 3 Description | 1 | 8.4 Device Functional Modes | 12 |
| 4 Revision History | 2 | 9 Application and Implementation | 13 |
| 5 Device Comparison Table | 3 | 9.1 Application Information | 13 |
| 6 Pin Configuration and Functions | 4 | 9.2 Typical Applications | 13 |
| 7 Specifications | 5 | 10 Power Supply Recommendations | 16 |
| 7.1 Absolute Maximum Ratings | 5 | 11 Layout | 16 |
| 7.2 ESD Ratings | 5 | 11.1 Layout Guidelines | 16 |
| 7.3 Recommended Operating Conditions | 5 | 11.2 Layout Example | 17 |
| 7.4 Thermal Information | 5 | 12 Device and Documentation Support | 18 |
| 7.5 Electrical Characteristics — LM78L05 | 6 | 12.1 Documentation Support | 18 |
| 7.6 Electrical Characteristics — LM78L09 | 6 | 12.2 Receiving Notification of Documentation Updates | 18 |
| 7.7 Electrical Characteristics — LM78L12 | 7 | 12.3 Support Resources | 18 |
| 7.8 Electrical Characteristics — LM78L15 | 7 | 12.4 Trademarks | 18 |
| 7.9 Electrical Characteristics — LM78L62 | 8 | 12.5 Electrostatic Discharge Caution | 18 |
| 7.10 Typical Characteristics | 9 | 12.6 Glossary | 18 |
| 8 Detailed Description | 11 | 13 Mechanical, Packaging, and Orderable Information | 18 |
| 8.1 Overview | 11 | | |

4 Revision History

NOTE: Page numbers for previous revisions may differ from page numbers in the current version.

| Changes from Revision K (December 2016) to Revision L | Page |
|--|----------|
| • Changed product name to LM78L so document matches product folder | 1 |
| • Added first <i>Features</i> bullet | 1 |
| • Added <i>Device Comparison Table</i> | 3 |

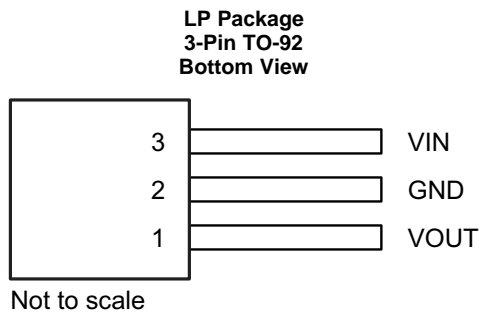
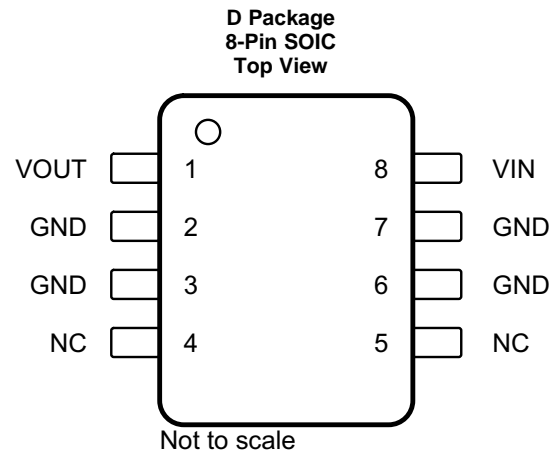
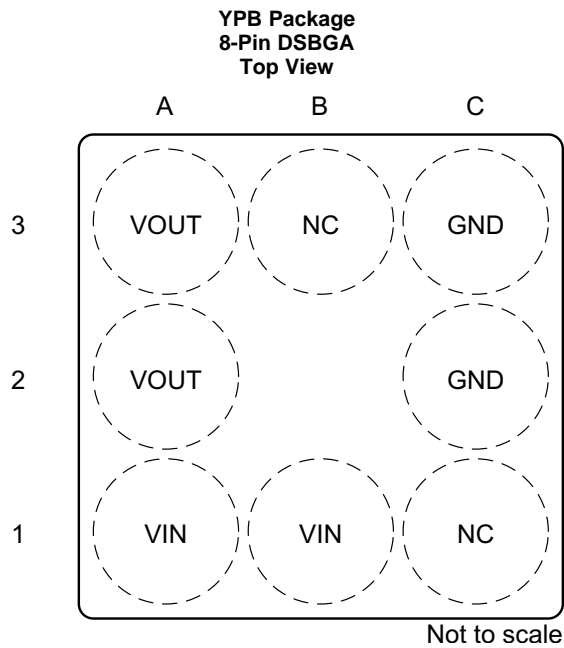
| Changes from Revision J (December 2013) to Revision K | Page |
|---|----------|
| • Added <i>Applications</i> section, <i>Device Information</i> table, <i>Pin Configuration and Functions</i> section, <i>ESD Ratings</i> table, <i>Recommended Operating Conditions</i> table, <i>Detailed Description</i> section, <i>Application and Implementation</i> section, <i>Power Supply Recommendations</i> section, <i>Layout</i> section, <i>Device and Documentation Support</i> section, and <i>Mechanical, Packaging, and Orderable Information</i> section | 1 |
| • Deleted LM78L82 from the data sheet | 1 |
| • Added <i>Thermal Information</i> table. | 1 |
| • Deleted Lead temperature (soldering) information | 5 |
| • Changed $R_{\theta JA}$ values for D (SOIC) From: 180 To: 128.8, LP (TO-92) from 230 to 158.7, and YPB (DSBGA) From: 230.9 To 108.4 | 5 |
| • Changed $R_{\theta JC}$ values for LP (TO-92) From: 60 To 75.2 | 5 |

| Changes from Revision I (April 2013) to Revision J | Page |
|--|----------|
| • Added the AI suffix | 6 |

5 Device Comparison Table

| I _{OUT} | PARAMETER | LM78xx | UA78 | LM340 | LM340A | UNIT |
|------------------------|-------------------------------------|------------------|---------------------------------|-------------------------------|-----------------|------|
| 1.5 A | Input voltage range | 7 - 35 | 7 - 38 | 7 - 35 | 7 - 35 | V |
| | Fixed output voltage option | 5, 12, 15 | 5, 8, 10, 12, 15, 24 | 5, 12, 15 | 5, 12, 15 | V |
| | Load regulation accuracy | 4 | 4 | 4 | 2 | % |
| | PSRR (120 Hz) | 80 | 78 | 80 | 80 | dB |
| | Recommended operating temperature | 0 - 125 | 0 - 125 | 0 - 125 | 0 - 125 | °C |
| | TO-220 T _{JA} | 23.9 | 19 | 23.9 | 23.9 | °C/W |
| | SOT-223 T _{JA} | 62.1 | N/A | 62.1 | 62.1 | °C/W |
| | TO-3 T _{JA} | 39 | N/A | 39 | 39 | °C/W |
| TO-263 T _{JA} | 44.8 | 25.3 | 44.8 | 44.8 | °C/W | |
| 0.5 A | | LM78Mxx | UA78MxxC | UA78MxxI | LM341 | |
| | Input voltage range | 7.2 - 35 | 5.3 - 30 | 5.3 - 30 | 7.2 - 35 | V |
| | Fixed output voltage option | 5 | 3.3, 5, 6, 8, 9, 10, 12 | 3.3, 5 | 5 | V |
| | Load regulation accuracy | 4 | 3 | 3 | 4 | % |
| | PSRR (120 Hz) | 78 | 80 | 80 | 78 | dB |
| | Recommended operating temperature | -40 - 125 | 0 - 125 | -40 - 125 | -40 - 125 | °C |
| | TO-220 T _{JA} | 22.6 | 19 | 19 | 22.6 | °C/W |
| | SOT-223 T _{JA} | N/A | 53 | 53 | N/A | °C/W |
| | TO-3 T _{JA} | 162.4 | N/A | N/A | N/A | °C/W |
| | TO-252 Powerflex T _{JA} | N/A | 28 | 28 | N/A | °C/W |
| TO-252 T _{JA} | 38 | 30.3 | 30.3 | N/A | °C/W | |
| 0.1 A | | LM78LxxAC | LM78LxxAI, LM78LxxIT | UA78LxxC | UA78LxxI | |
| | Input voltage range | 7.0 - 30 | 7.0 - 30 | 4.75 - 30 | 4.75 - 30 | V |
| | Fixed output voltage option | 5, 6.2, 12, 15 | 5, 9 | 2.6, 5, 6.2, 8, 9, 10, 12, 15 | 5 | V |
| | Load regulation accuracy (A/non -A) | 4 | 4 | 4, 8 | 4, 8 | % |
| | PSRR (120 Hz) | 62 | 62 | 51 | 51 | dB |
| | Recommended operating temperature | 0 - 125 | -40 - 125 | 0 - 125 | -40 - 125 | °C |
| | SOT-89 T _{JA} | N/A | N/A | 54.7 | 54.7 | °C/W |
| | SO-8 T _{JA} | 128.8 | 128.8 | 115 | 115 | °C/W |
| DSBGA T _{JA} | N/A | 108.4 | N/A | N/A | °C/W | |
| TO-92 T _{JA} | 158.7 | N/A | 143.6 | 143.6 | °C/W | |

6 Pin Configuration and Functions



Pin Functions

| PIN | | | | I/O | DESCRIPTION |
|------|--------|------------|-------|-----|--------------------------|
| NAME | DSBGA | SOIC | TO-92 | | |
| GND | C2, C3 | 2, 3, 6, 7 | 2 | — | Ground |
| NC | B3, C1 | 4, 5 | — | — | No connection |
| VIN | A1, B1 | 8 | 3 | I | Input supply voltage pin |
| VOUT | A2, A3 | 1 | 1 | O | Output voltage pin |

7 Specifications

7.1 Absolute Maximum Ratings

over operating free-air temperature range (unless otherwise noted)⁽¹⁾⁽²⁾

| | | MIN | MAX | UNIT |
|---------------------------------------|-------------------------|--------------------|-----|------|
| Input voltage | | 35 | | V |
| Power dissipation | | Internally limited | | |
| Operating junction temperature, T_J | LM78LxxACZ (TO-92) | 0 | 125 | °C |
| | LM78LxxACM (SOIC) | 0 | 125 | |
| | LM78LxxAIM (SOIC) | –40 | 125 | |
| | LM78LxxITP (thin DSBGA) | –40 | 85 | |
| Storage temperature, T_{stg} | | –65 | 150 | °C |

- Stresses beyond those listed under *Absolute Maximum Ratings* may cause permanent damage to the device. These are stress ratings only, which do not imply functional operation of the device at these or any other conditions beyond those indicated under *Recommended Operating Conditions*. Exposure to absolute-maximum-rated conditions for extended periods may affect device reliability.
- If Military/Aerospace specified devices are required, please contact the Texas Instruments Sales Office/Distributors for availability and specifications.

7.2 ESD Ratings

| | | | VALUE | UNIT |
|-------------|-------------------------|--|-------|------|
| $V_{(ESD)}$ | Electrostatic discharge | Human-body model (HBM), ⁽¹⁾ | ±1000 | V |

- Human body model, 1.5 k Ω in series with 100 pF.

7.3 Recommended Operating Conditions

over operating free-air temperature range (unless otherwise noted)

| | | MIN | NOM | MAX | UNIT |
|---------------------------|----------------------|--------------------|-----|-----|------|
| Input voltage | | 30 | | | V |
| Continuous output current | | 100 | | | mA |
| T_J | Junction temperature | LM78LxxACZ (TO-92) | 0 | 125 | °C |
| | | LM78LxxACM (SOIC) | 0 | 125 | |
| | | LM78LxxAIM (SOIC) | –40 | 125 | |
| | | LM78LxxITP (DSBGA) | –40 | 85 | |

7.4 Thermal Information

| THERMAL METRIC ⁽¹⁾ | | LM78Lxx | | | UNIT |
|-------------------------------|--|----------|------------|-------------|------|
| | | D (SOIC) | LP (TO-92) | YPB (DSBGA) | |
| | | 8 PINS | 3 PINS | 8 PINS | |
| $R_{\theta JA}$ | Junction-to-ambient thermal resistance | 128.8 | 158.7 | 108.4 | °C/W |
| $R_{\theta JC(top)}$ | Junction-to-case (top) thermal resistance | 76 | 75.2 | 1.3 | °C/W |
| $R_{\theta JB}$ | Junction-to-board thermal resistance | 69.3 | n/a | 31.4 | °C/W |
| Ψ_{JT} | Junction-to-top characterization parameter | 26.3 | 30.2 | 4.5 | °C/W |
| Ψ_{JB} | Junction-to-board characterization parameter | 68.8 | 138.2 | 31.4 | °C/W |
| $R_{\theta JC(bot)}$ | Junction-to-case (bottom) thermal resistance | — | — | — | °C/W |

- For more information about traditional and new thermal metrics, see the *Semiconductor and IC Package Thermal Metrics* application report.

7.5 Electrical Characteristics — LM78L05

Typical values apply for $T_J = 25^\circ\text{C}$, Minimum and Maximum limits apply for the entire operating temperature range of the package⁽¹⁾⁽²⁾, $I_O = 40\text{ mA}$, $C_I = 0.33\ \mu\text{F}$, $C_O = 0.1\ \mu\text{F}$, $V_{IN} = 10\text{ V}$ (unless otherwise noted).

| PARAMETER | | TEST CONDITIONS | MIN | TYP | MAX | UNIT |
|----------------------------|---|---|------|-------|------|----------------------------|
| V_O | Output voltage | $T_J = 25^\circ\text{C}$ | 4.8 | 5 | 5.2 | V |
| | | $V_{IN} = 7\text{ V to }20\text{ V}$, $I_O = 1\text{ mA to }40\text{ mA}$ ⁽³⁾ | 4.75 | | 5.25 | |
| | | $I_O = 1\text{ mA to }70\text{ mA}$ ⁽³⁾ | 4.75 | | 5.25 | |
| ΔV_O | Line regulation | $V_{IN} = 7\text{ V to }20\text{ V}$, $T_J = 25^\circ\text{C}$ | | 18 | 75 | mV |
| | | $V_{IN} = 8\text{ V to }20\text{ V}$, $T_J = 25^\circ\text{C}$ | | 10 | 54 | |
| | Load regulation | $I_O = 1\text{ mA to }100\text{ mA}$, $T_J = 25^\circ\text{C}$ | | 20 | 60 | |
| | | $I_O = 1\text{ mA to }40\text{ mA}$, $T_J = 25^\circ\text{C}$ | | 5 | 30 | |
| I_Q | Quiescent current | $T_J = 25^\circ\text{C}$ | | 3 | 5 | mA |
| ΔI_Q | Quiescent current change | $V_{IN} = 8\text{ V to }20\text{ V}$ | | | 1 | mA |
| | | $I_O = 1\text{ mA to }40\text{ mA}$ | | | 0.1 | |
| V_n | Output noise voltage | $f = 10\text{ Hz to }100\text{ kHz}$ ⁽⁴⁾ | | 40 | | μV |
| $\Delta V_{IN}/\Delta V_O$ | Ripple rejection | $f = 120\text{ Hz}$, $V_{IN} = 8\text{ V to }16\text{ V}$, $T_J = 25^\circ\text{C}$ | 47 | 62 | | dB |
| I_{PK} | Peak output current | | | 140 | | mA |
| $\Delta V_O/\Delta T$ | Average output voltage temperature coefficient | $I_O = 5\text{ mA}$ | | -0.65 | | $\text{mV}/^\circ\text{C}$ |
| $V_{IN(MIN)}$ | Minimum value of input voltage required to maintain line regulation | $T_J = 25^\circ\text{C}$ | | 6.7 | 7 | V |

- (1) For the operating ranges of each package, see [Absolute Maximum Ratings](#).
- (2) Limits are ensured by production testing or correlation techniques using standard Statistical Quality Control (SQC) methods.
- (3) Power dissipation $\leq 0.75\text{ W}$.
- (4) Recommended minimum load capacitance of $0.01\ \mu\text{F}$ to limit high-frequency noise.

7.6 Electrical Characteristics — LM78L09

Typical values apply for $T_J = 25^\circ\text{C}$, Minimum and Maximum limits apply for the entire operating temperature range of the package⁽¹⁾⁽²⁾, $I_O = 40\text{ mA}$, $C_I = 0.33\ \mu\text{F}$, $C_O = 0.1\ \mu\text{F}$, $V_{IN} = 15\text{ V}$ (unless otherwise noted).

| PARAMETER | | TEST CONDITIONS | MIN | TYP | MAX | UNIT |
|----------------------------|---|--|------|------|------|----------------------------|
| V_O | Output voltage | $T_J = 25^\circ\text{C}$ | 8.64 | 9 | 9.36 | V |
| | | $V_{IN} = 11.5\text{ V to }24\text{ V}$, $I_O = 1\text{ mA to }40\text{ mA}$ ⁽³⁾ | 8.55 | | 9.45 | |
| | | $I_O = 1\text{ mA to }70\text{ mA}$ ⁽³⁾ | 8.55 | | 9.45 | |
| ΔV_O | Line regulation | $V_{IN} = 11.5\text{ V to }24\text{ V}$, $T_J = 25^\circ\text{C}$ | | 100 | 200 | mV |
| | | $V_{IN} = 13\text{ V to }24\text{ V}$, $T_J = 25^\circ\text{C}$ | | 90 | 150 | |
| | Load regulation | $I_O = 1\text{ mA to }100\text{ mA}$, $T_J = 25^\circ\text{C}$ | | 20 | 90 | |
| | | $I_O = 1\text{ mA to }40\text{ mA}$, $T_J = 25^\circ\text{C}$ | | 10 | 45 | |
| I_Q | Quiescent current | $T_J = 25^\circ\text{C}$ | | 2 | 5.5 | mA |
| ΔI_Q | Quiescent current change | $V_{IN} = 11.5\text{ V to }24\text{ V}$ | | | 1.5 | mA |
| | | $I_O = 1\text{ mA to }40\text{ mA}$ | | | 0.1 | |
| V_n | Output noise voltage | | | 70 | | μV |
| $\Delta V_{IN}/\Delta V_O$ | Ripple rejection | $f = 120\text{ Hz}$, $V_{IN} = 15\text{ V to }25\text{ V}$, $T_J = 25^\circ\text{C}$ | 38 | 44 | | dB |
| I_{PK} | Peak output current | | | 140 | | mA |
| $\Delta V_O/\Delta T$ | Average output voltage temperature coefficient | $I_O = 5\text{ mA}$ | | -0.9 | | $\text{mV}/^\circ\text{C}$ |
| $V_{IN(MIN)}$ | Minimum value of input voltage required to maintain line regulation | | | 10.7 | | V |

- (1) For the operating ranges of each package, see [Absolute Maximum Ratings](#).
- (2) Limits are ensured by production testing or correlation techniques using standard Statistical Quality Control (SQC) methods.
- (3) Power dissipation $\leq 0.75\text{ W}$.

7.7 Electrical Characteristics — LM78L12

Typical values apply for $T_J = 25^\circ\text{C}$, Minimum and Maximum limits apply for the entire operating temperature range of the package⁽¹⁾⁽²⁾, $I_O = 40\text{ mA}$, $C_I = 0.33\ \mu\text{F}$, $C_O = 0.1\ \mu\text{F}$, $V_{IN} = 19\text{ V}$ (unless otherwise noted).

| PARAMETER | | TEST CONDITIONS | MIN | TYP | MAX | UNIT |
|----------------------------|---|--|------|------|------|----------------------------|
| V_O | Output voltage | $T_J = 25^\circ\text{C}$ | 11.5 | 12 | 12.5 | V |
| | | $V_{IN} = 14.5\text{ V to }27\text{ V}$, $I_O = 1\text{ mA to }40\text{ mA}^{(3)}$ | 11.4 | | 12.6 | |
| | | $I_O = 1\text{ mA to }70\text{ mA}^{(3)}$ | 11.4 | | 12.6 | |
| ΔV_O | Line regulation | $V_{IN} = 14.5\text{ V to }27\text{ V}$, $T_J = 25^\circ\text{C}$ | | 30 | 180 | mV |
| | | $V_{IN} = 16\text{ V to }27\text{ V}$, $T_J = 25^\circ\text{C}$ | | 20 | 110 | |
| | Load regulation | $I_O = 1\text{ mA to }100\text{ mA}$, $T_J = 25^\circ\text{C}$ | | 30 | 100 | |
| | | $I_O = 1\text{ mA to }40\text{ mA}$, $T_J = 25^\circ\text{C}$ | | 10 | 50 | |
| I_Q | Quiescent current | $T_J = 25^\circ\text{C}$ | | 3 | 5 | mA |
| ΔI_Q | Quiescent current change | $V_{IN} = 16\text{ V to }27\text{ V}$ | | | 1 | mA |
| | | $I_O = 1\text{ mA to }40\text{ mA}$ | | | 0.1 | |
| V_n | Output noise voltage | | | 80 | | μV |
| $\Delta V_{IN}/\Delta V_O$ | Ripple rejection | $f = 120\text{ Hz}$, $V_{IN} = 15\text{ V to }25\text{ V}$, $T_J = 25^\circ\text{C}$ | 40 | 54 | | dB |
| I_{PK} | Peak output current | | | 140 | | mA |
| $\Delta V_O/\Delta T$ | Average output voltage temperature coefficient | $I_O = 5\text{ mA}$ | | -1 | | $\text{mV}/^\circ\text{C}$ |
| $V_{IN(MIN)}$ | Minimum value of input voltage required to maintain line regulation | $T_J = 25^\circ\text{C}$ | | 13.7 | 14.5 | V |

(1) For the operating ranges of each package, see [Absolute Maximum Ratings](#).

(2) Limits are ensured by production testing or correlation techniques using standard Statistical Quality Control (SQC) methods.

(3) Power dissipation $\leq 0.75\text{ W}$.

7.8 Electrical Characteristics — LM78L15

Typical values apply for $T_J = 25^\circ\text{C}$, Minimum and Maximum limits apply for the entire operating temperature range of the package⁽¹⁾⁽²⁾, $I_O = 40\text{ mA}$, $C_I = 0.33\ \mu\text{F}$, $C_O = 0.1\ \mu\text{F}$, $V_{IN} = 23\text{ V}$ (unless otherwise noted).

| PARAMETER | | TEST CONDITIONS | MIN | TYP | MAX | UNIT |
|----------------------------|---|--|-------|------|-------|----------------------------|
| V_O | Output voltage | $T_J = 25^\circ\text{C}$ | 14.4 | 15 | 15.6 | V |
| | | $V_{IN} = 17.5\text{ V to }30\text{ V}$, $I_O = 1\text{ mA to }40\text{ mA}^{(3)}$ | 14.25 | | 15.75 | |
| | | $I_O = 1\text{ mA to }70\text{ mA}^{(3)}$ | 14.25 | | 15.75 | |
| ΔV_O | Line regulation | $V_{IN} = 17.5\text{ V to }30\text{ V}$, $T_J = 25^\circ\text{C}$ | | 37 | 250 | mV |
| | | $V_{IN} = 20\text{ V to }30\text{ V}$, $T_J = 25^\circ\text{C}$ | | 25 | 140 | |
| | Load regulation | $I_O = 1\text{ mA to }100\text{ mA}$, $T_J = 25^\circ\text{C}$ | | 35 | 150 | |
| | | $I_O = 1\text{ mA to }40\text{ mA}$, $T_J = 25^\circ\text{C}$ | | 12 | 75 | |
| I_Q | Quiescent current | $T_J = 25^\circ\text{C}$ | | 3 | 5 | mA |
| ΔI_Q | Quiescent current change | $V_{IN} = 20\text{ V to }30\text{ V}$ | | | 1 | mA |
| | | $I_O = 1\text{ mA to }40\text{ mA}$ | | | 0.1 | |
| V_n | Output noise voltage | | | 90 | | μV |
| $\Delta V_{IN}/\Delta V_O$ | Ripple rejection | $f = 120\text{ Hz}$, $V_{IN} = 18.5\text{ V to }28.5\text{ V}$, $T_J = 25^\circ\text{C}$ | 37 | 51 | | dB |
| I_{PK} | Peak output current | | | 140 | | mA |
| $\Delta V_O/\Delta T$ | Average output voltage temperature coefficient | $I_O = 5\text{ mA}$ | | -1.3 | | $\text{mV}/^\circ\text{C}$ |
| $V_{IN(MIN)}$ | Minimum value of input voltage required to maintain line regulation | $T_J = 25^\circ\text{C}$ | | 16.7 | 17.5 | V |

(1) For the operating ranges of each package, see [Absolute Maximum Ratings](#).

(2) Limits are ensured by production testing or correlation techniques using standard Statistical Quality Control (SQC) methods.

(3) Power dissipation $\leq 0.75\text{ W}$.

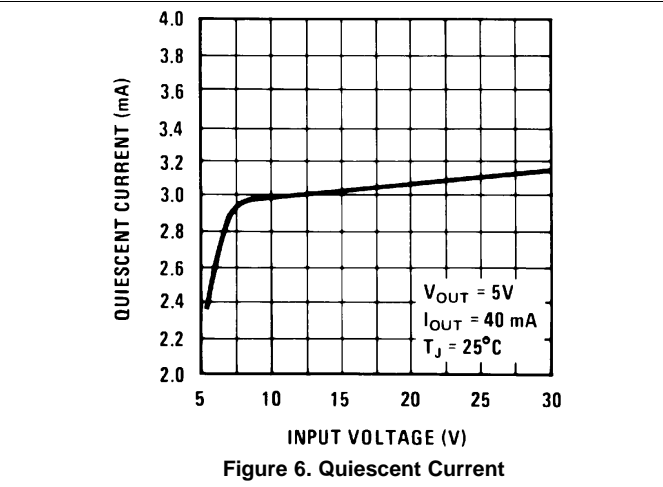
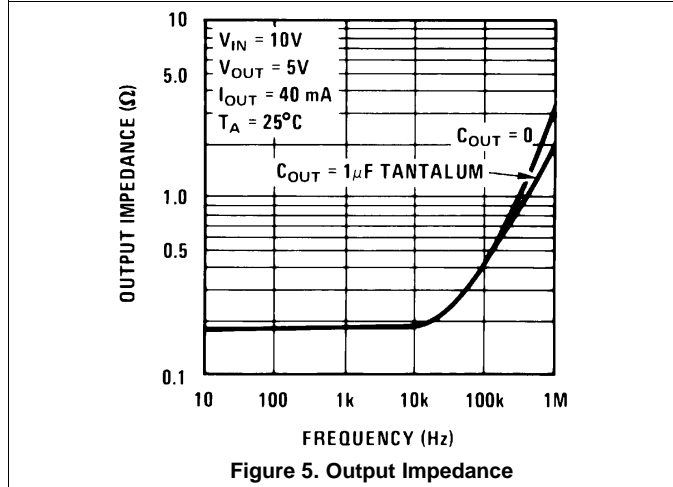
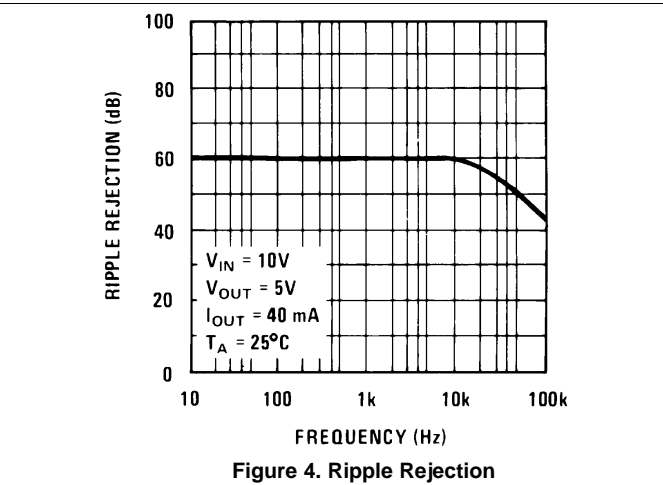
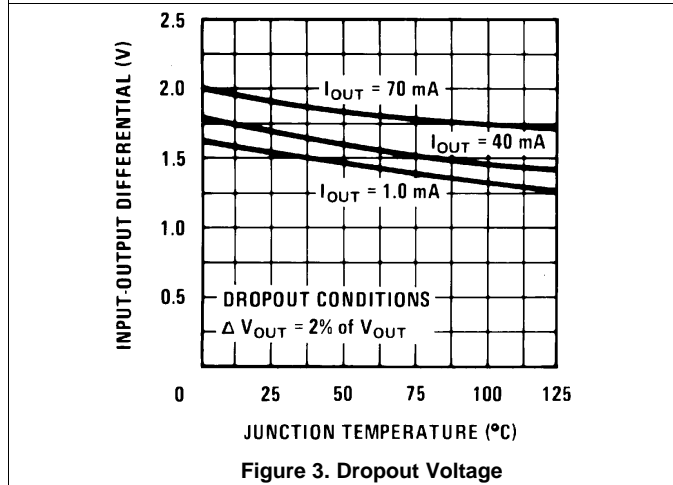
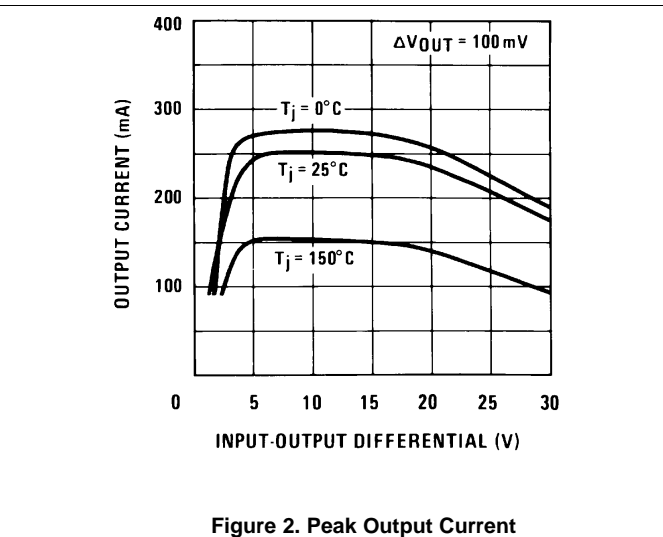
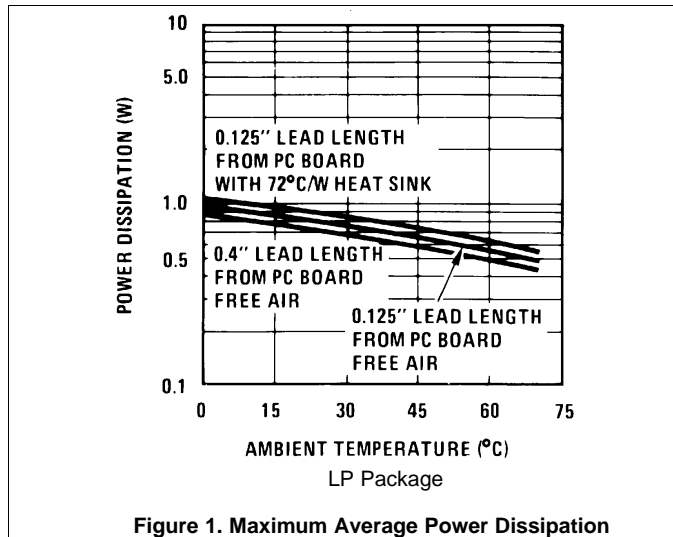
7.9 Electrical Characteristics — LM78L62

Typical values apply for $T_J = 25^\circ\text{C}$, Minimum and Maximum limits apply for the entire operating temperature range of the package⁽¹⁾⁽²⁾, $I_O = 40\text{ mA}$, $C_I = 0.33\ \mu\text{F}$, $C_O = 0.1\ \mu\text{F}$, $V_{IN} = 12\text{ V}$ (unless otherwise noted).

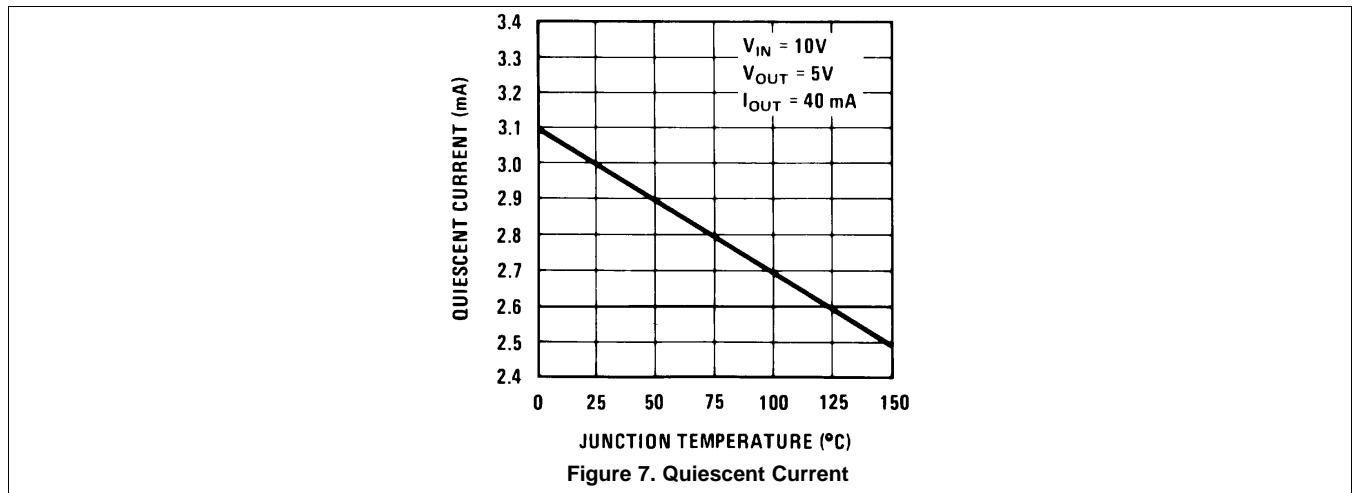
| PARAMETER | | TEST CONDITIONS | MIN | TYP | MAX | UNIT |
|----------------------------|---|--|------|-------|------|----------------------------|
| V_O | Output voltage | $T_J = 25^\circ\text{C}$ | 5.95 | 6.2 | 6.45 | V |
| | | $V_{IN} = 8.5\text{ V to }20\text{ V}$, $I_O = 1\text{ mA to }40\text{ mA}^{(3)}$ | 5.9 | | 6.5 | |
| | | $I_O = 1\text{ mA to }70\text{ mA}^{(3)}$ | 5.9 | | 6.5 | |
| ΔV_O | Line regulation | $V_{IN} = 8.5\text{ V to }20\text{ V}$, $T_J = 25^\circ\text{C}$ | | 65 | 175 | mV |
| | | $V_{IN} = 9\text{ V to }20\text{ V}$, $T_J = 25^\circ\text{C}$ | | 55 | 125 | |
| | Load regulation | $I_O = 1\text{ mA to }100\text{ mA}$, $T_J = 25^\circ\text{C}$ | | 13 | 80 | |
| | | $I_O = 1\text{ mA to }40\text{ mA}$, $T_J = 25^\circ\text{C}$ | | 6 | 40 | |
| I_Q | Quiescent current | $T_J = 25^\circ\text{C}$ | | 2 | 5.5 | mA |
| ΔI_Q | Quiescent current change | $V_{IN} = 8\text{ V to }20\text{ V}$ | | | 1.5 | mA |
| | | $I_O = 1\text{ mA to }40\text{ mA}$ | | | 0.1 | |
| V_n | Output noise voltage | $f = 10\text{ Hz to }100\text{ kHz}^{(4)}$ | | 50 | | μV |
| $\Delta V_{IN}/\Delta V_O$ | Ripple rejection | $f = 120\text{ Hz}$, $V_{IN} = 10\text{ V to }20\text{ V}$, $T_J = 25^\circ\text{C}$ | 40 | 46 | | dB |
| I_{PK} | Peak output current | | | 140 | | mA |
| $\Delta V_O/\Delta T$ | Average output voltage temperature coefficient | $I_O = 5\text{ mA}$ | | -0.75 | | $\text{mV}/^\circ\text{C}$ |
| $V_{IN(MIN)}$ | Minimum value of input voltage required to maintain line regulation | | | 7.9 | | V |

- (1) For the operating ranges of each package, see [Absolute Maximum Ratings](#).
- (2) Limits are ensured by production testing or correlation techniques using standard Statistical Quality Control (SQC) methods.
- (3) Power dissipation $\leq 0.75\text{ W}$.
- (4) Recommended minimum load capacitance of $0.01\ \mu\text{F}$ to limit high-frequency noise.

7.10 Typical Characteristics



Typical Characteristics (continued)

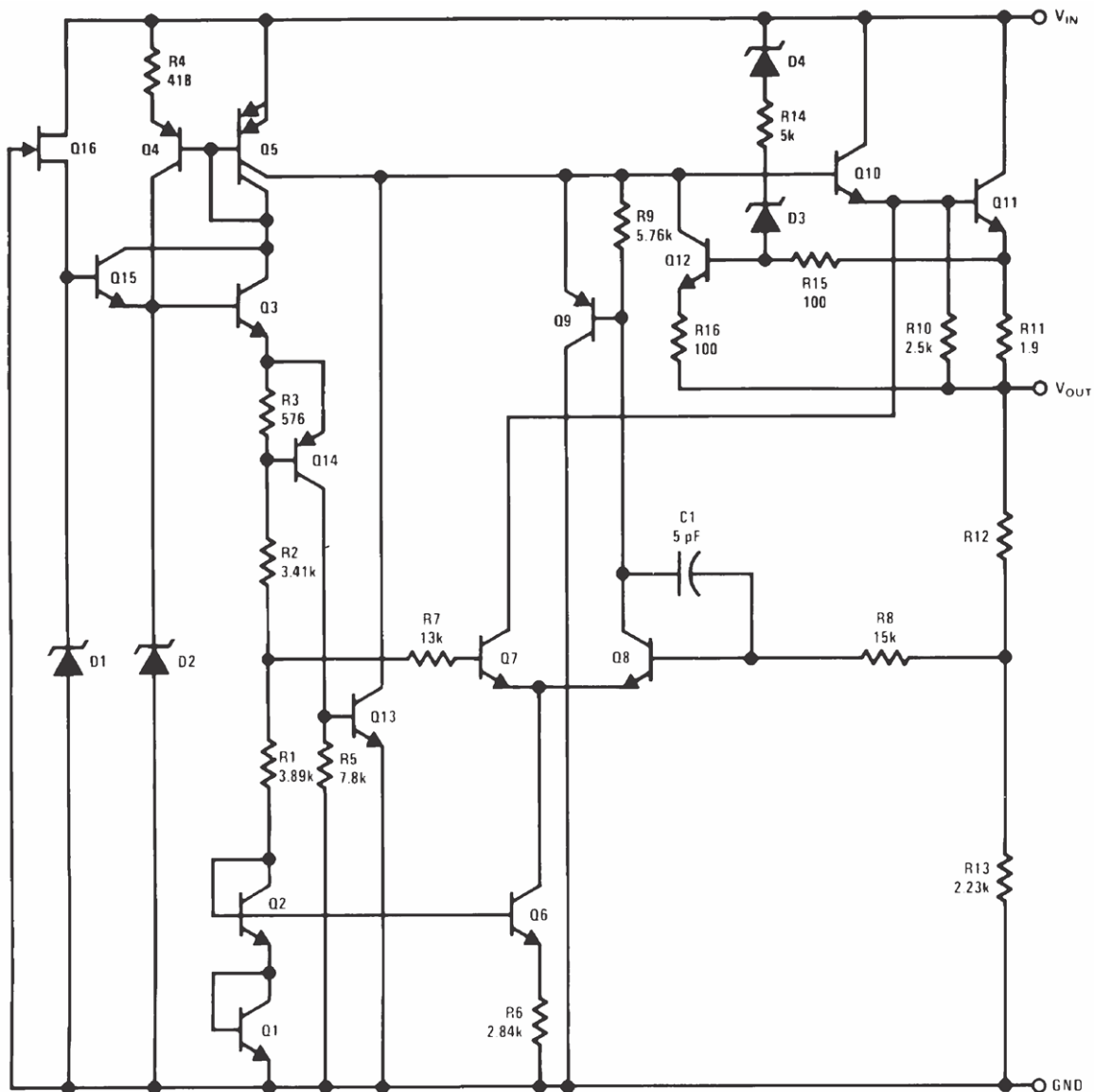


8 Detailed Description

8.1 Overview

The LM78Lxx series of positive regulators is available in the following fixed output voltages: 5 V, 6.2 V, 8.2 V, 9 V, 12 V, and 15 V. The regulator can be configured to an adjustable output by connecting the GND pin to the center of a resistive voltage divider as shown in Figure 10. In this configuration, the fixed output voltage acts as the reference voltage across R1 allowing the output to be adjusted by changing the resistor.

8.2 Functional Block Diagram



8.3 Feature Description

8.3.1 Load Regulation

These devices regulate the voltage between the VOUT and GND pins, and can be made adjustable by using a resistive voltage divider. The output voltage tolerance is $\pm 5\%$ over temperature.

8.3.2 Protection

The LM78Lxx series of regulators has internal thermal overload protection that automatically shuts off the device if the operating temperature becomes too high. There is also internal short-circuit current limit and output transistor safe area protection that shuts down the device if the output current becomes too high.

8.4 Device Functional Modes

8.4.1 Normal Operation

The VOUT pin sources current necessary to set the voltage on VOUT at a fixed voltage above the GND pin. See [Specifications](#) for V_O of each device.

8.4.2 Shutdown

The device automatically shuts down if the output current or its internal temperature becomes too high.

9 Application and Implementation

NOTE

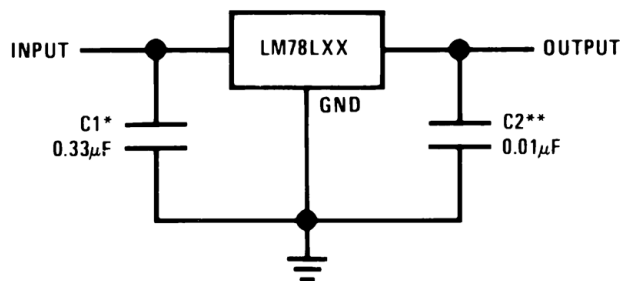
Information in the following applications sections is not part of the TI component specification, and TI does not warrant its accuracy or completeness. TI's customers are responsible for determining suitability of components for their purposes. Customers should validate and test their design implementation to confirm system functionality.

9.1 Application Information

These devices are versatile and high-performance regulators with a wide temperature range and tight line and load regulation. An input capacitor is required if the regulator is placed more than 3 inches from the power supply filter. TI recommends a minimum load capacitance of 0.01 μF to limit high frequency.

9.2 Typical Applications

9.2.1 Fixed Output Regulator



*Required if the regulator is located more than 3 inches from the power supply filter.

**Recommended minimum load capacitance of 0.01 μF to limit high-frequency noise.

Figure 8. Fixed Output Regulator Circuit

9.2.1.1 Design Requirements

The device component count is very minimal. No external components are usually required. However, TI recommends input or output capacitors depending on the distance between the device and the power supply and if extra filtering is needed at the output.

The output voltage is set based on the selection of the two resistors (R1 and R2), as shown in [Figure 14](#).

9.2.1.2 Detailed Design Procedure

9.2.1.2.1 Input Capacitor

An input capacitor is required if the regulator is placed more than 3 inches from the power supply filter. A 0.33- μF capacitor on the input is suitable for most applications.

9.2.1.2.2 Output Capacitor

TI recommends a minimum load capacitance of 0.01 μF to limit high-frequency noise.

Typical Applications (continued)

9.2.1.3 Application Curve

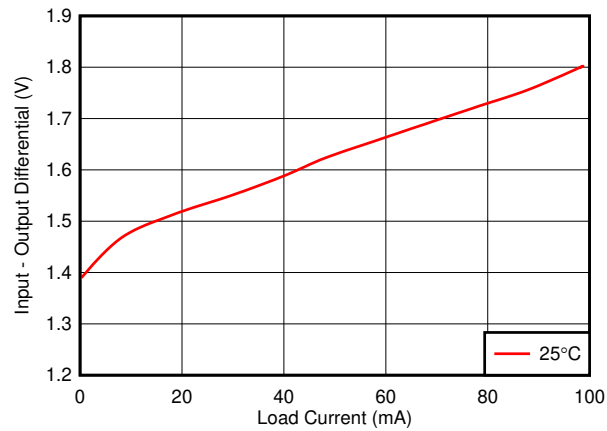
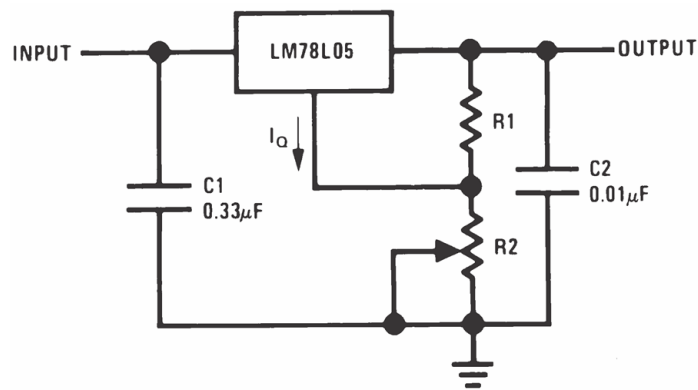


Figure 9. LM78Lxx Dropout

9.2.2 Other Application Circuits

Figure 10 to Figure 14 show application circuit examples using the LM78Lxx devices. Customers must fully validate and test these circuits before implementing a design based on these examples. Unless otherwise noted, the design procedures in *Fixed Output Regulator* are applicable to these designs.



$$V_O = 5\text{ V} + (5\text{ V} / R_1 + I_Q) \times R_2^*$$

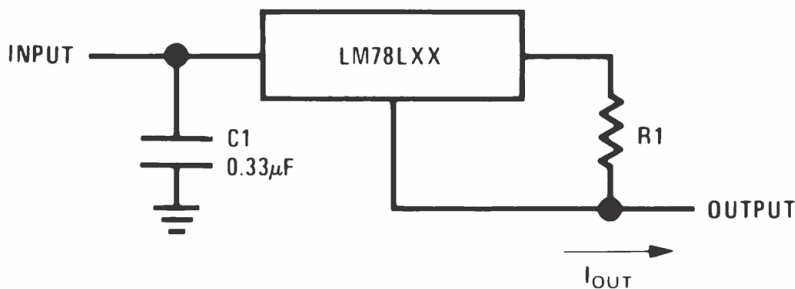
* The 5 V represents the fixed output voltage of the LM78L05. If using one of the other LM78Lxx devices, use that fixed output voltage value when calculating V_O .

$$I_Q < 5\text{ V} / (3 \times R_1)$$

$$\text{Load regulation } (L_R) \text{ of LM78L05} \approx (R_1 + R_2) / R_1$$

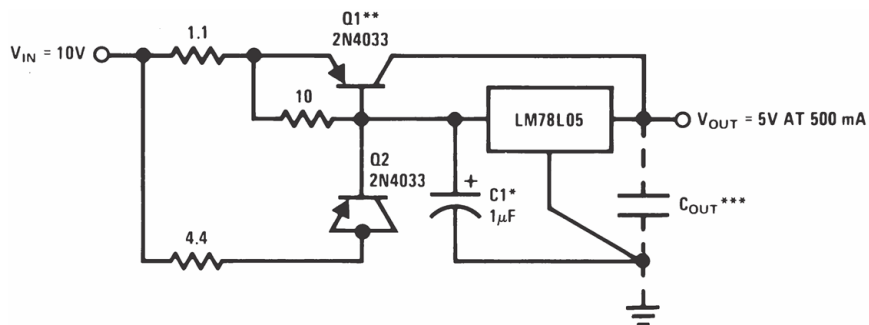
Figure 10. Adjustable Output Regulator Circuit

Typical Applications (continued)



$I_{OUT} = (V_O / R1) + I_Q$
 $I_Q = 1.5 \text{ mA over line and load changes}$

Figure 11. Current Regulator Circuit



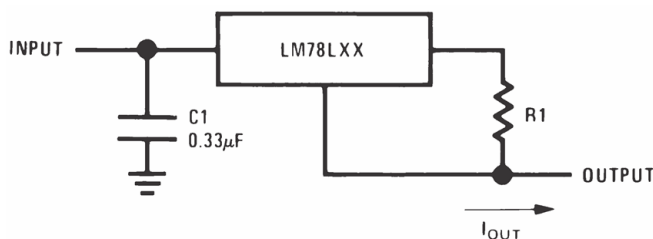
*Solid tantalum

**Heat sink Q1

***Optional: Improves ripple rejection and transient response.

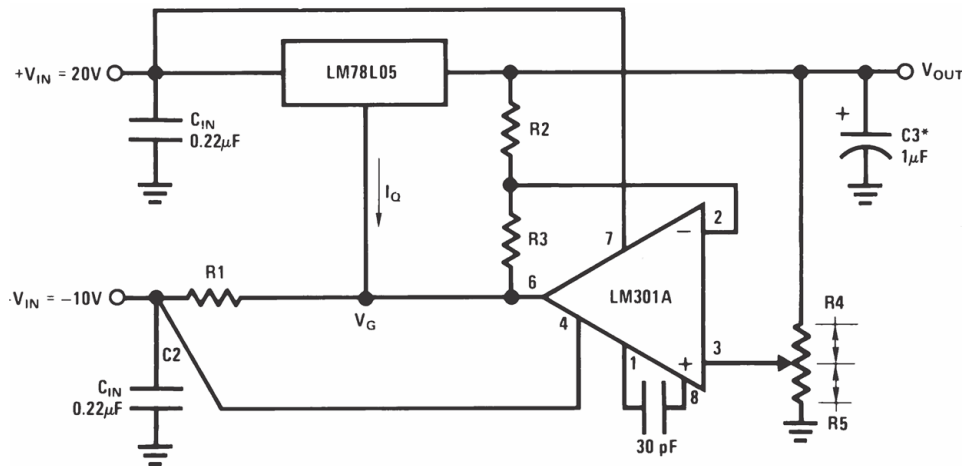
Load Regulation = 0.6%, $I_L = 0 \text{ mA to } 250 \text{ mA}$ pulsed with $t_{ON} = 50 \text{ ms}$.

Figure 12. 5-V, 500-mA Regulator With Short-Circuit Protection Circuit



*Solid tantalum

Figure 13. ±15-V, 100-mA Dual Power Supply Circuit

Typical Applications (continued)


*Solid tantalum

$$V_O = V_G + 5 \text{ V}, R1 = (-V_{IN} / I_{Q(LM78L05)})$$

$$V_O = 5 \text{ V} (R2 / R4) \text{ for } (R2 + R3) = (R4 + R5)$$

$$\text{A } 0.5\text{-V output will correspond to } (R2 / R4) = 0.1, (R3 / R4) = 0.9$$

Figure 14. Variable Output Regulator Circuit (0.5 V to 18 V)

10 Power Supply Recommendations

The linear regulator input supply must be well regulated and kept at a voltage level to not exceed the maximum input to output voltage differential allowed by the device. The minimum dropout voltage ($V_{IN} - V_O$) must be met with extra headroom when possible to keep the output well regulated. A 0.33- μF or higher capacitor must be placed at the input to bypass noise.

11 Layout

11.1 Layout Guidelines

For the best overall performance, some layout guidelines may be disregarded. Place all circuit components on the same side of the circuit board and as near as practical to the respective linear regulator pins. Traces must be kept short and wide to reduce the amount of parasitic elements in the system. The actual width and thickness of traces depends on the current carrying capability and heat dissipation required by the end system.

11.2 Layout Example

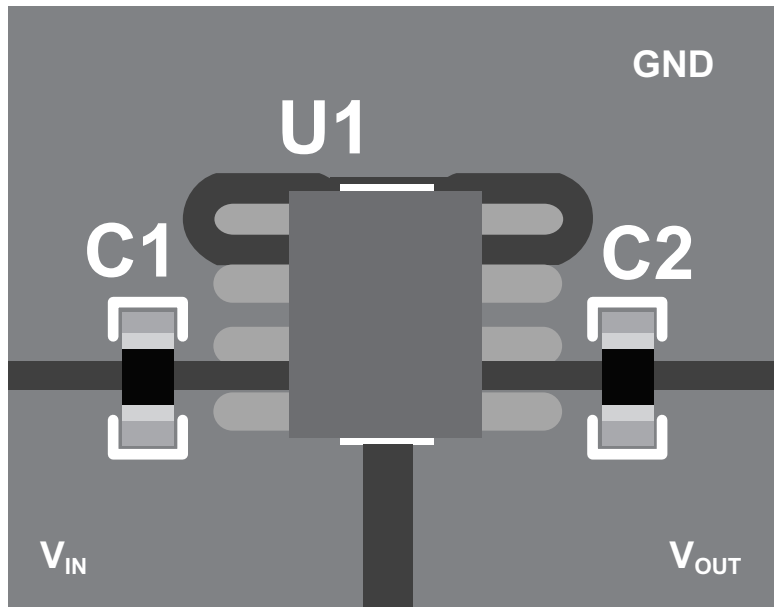


Figure 15. LM78Lxx Example Circuit Layout

12 Device and Documentation Support

12.1 Documentation Support

12.1.1 Related Documentation

For related documentation see the following:

- Texas Instruments, [UA78L00 Series Positive-Voltage Linear Regulators data sheet](#)
- Texas Instruments, [AN-1112 DSBGA Wafer Level Chip Scale Package application note](#)
- Texas Instruments, [TO-92 Packing Options/Ordering Instructions application report](#)

12.2 Receiving Notification of Documentation Updates

To receive notification of documentation updates, navigate to the device product folder on ti.com. In the upper right corner, click on *Alert me* to register and receive a weekly digest of any product information that has changed. For change details, review the revision history included in any revised document.

12.3 Support Resources

TI E2E™ [support forums](#) are an engineer's go-to source for fast, verified answers and design help — straight from the experts. Search existing answers or ask your own question to get the quick design help you need.

Linked content is provided "AS IS" by the respective contributors. They do not constitute TI specifications and do not necessarily reflect TI's views; see TI's [Terms of Use](#).

12.4 Trademarks

E2E is a trademark of Texas Instruments.
All other trademarks are the property of their respective owners.

12.5 Electrostatic Discharge Caution



This integrated circuit can be damaged by ESD. Texas Instruments recommends that all integrated circuits be handled with appropriate precautions. Failure to observe proper handling and installation procedures can cause damage.

ESD damage can range from subtle performance degradation to complete device failure. Precision integrated circuits may be more susceptible to damage because very small parametric changes could cause the device not to meet its published specifications.

12.6 Glossary

[SLYZ022](#) — *TI Glossary*.

This glossary lists and explains terms, acronyms, and definitions.

13 Mechanical, Packaging, and Orderable Information

The following pages include mechanical, packaging, and orderable information. This information is the most current data available for the designated devices. This data is subject to change without notice and revision of this document. For browser-based versions of this data sheet, refer to the left-hand navigation.

PACKAGING INFORMATION

| Orderable Device | Status (1) | Package Type | Package Drawing | Pins | Package Qty | Eco Plan (2) | Lead finish/ Ball material (6) | MSL Peak Temp (3) | Op Temp (°C) | Device Marking (4/5) | Samples |
|------------------|---------------|--------------|-----------------|------|-------------|---------------------|--------------------------------------|----------------------|--------------|-------------------------|---------|
| LM78L05ACM | NRND | SOIC | D | 8 | 95 | Non-RoHS & Green | Call TI | Level-1-235C-UNLIM | 0 to 125 | LM78L 05ACM | |
| LM78L05ACM/NOPB | ACTIVE | SOIC | D | 8 | 95 | RoHS & Green | SN | Level-1-260C-UNLIM | 0 to 125 | LM78L 05ACM | Samples |
| LM78L05ACMX | NRND | SOIC | D | 8 | 2500 | Non-RoHS & Green | Call TI | Level-1-235C-UNLIM | 0 to 125 | LM78L 05ACM | |
| LM78L05ACMX/NOPB | ACTIVE | SOIC | D | 8 | 2500 | RoHS & Green | SN | Level-1-260C-UNLIM | 0 to 125 | LM78L 05ACM | Samples |
| LM78L05ACZ/LFT1 | ACTIVE | TO-92 | LP | 3 | 2000 | RoHS & Green | SN | N / A for Pkg Type | 0 to 125 | LM78L 05ACZ | Samples |
| LM78L05ACZ/LFT3 | ACTIVE | TO-92 | LP | 3 | 2000 | RoHS & Green | SN | N / A for Pkg Type | 0 to 125 | LM78L 05ACZ | Samples |
| LM78L05ACZ/LFT4 | ACTIVE | TO-92 | LP | 3 | 2000 | RoHS & Green | SN | N / A for Pkg Type | 0 to 125 | LM78L 05ACZ | Samples |
| LM78L05ACZ/LFT7 | ACTIVE | TO-92 | LP | 3 | 2000 | RoHS & Green | SN | N / A for Pkg Type | 0 to 125 | LM78L 05ACZ | Samples |
| LM78L05ACZ/NOPB | ACTIVE | TO-92 | LP | 3 | 1800 | RoHS & Green | Call TI | N / A for Pkg Type | 0 to 125 | LM78L 05ACZ | Samples |
| LM78L05AIM/NOPB | ACTIVE | SOIC | D | 8 | 95 | RoHS & Green | SN | Level-1-260C-UNLIM | -40 to 125 | LM78L 05AM | Samples |
| LM78L05AIMX/NOPB | ACTIVE | SOIC | D | 8 | 2500 | RoHS & Green | SN | Level-1-260C-UNLIM | -40 to 125 | LM78L 05AM | Samples |
| LM78L05ITP/NOPB | ACTIVE | DSBGA | YPB | 8 | 250 | RoHS & Green | SNAGCU | Level-1-260C-UNLIM | -40 to 85 | P 03 | Samples |
| LM78L05ITPX/NOPB | ACTIVE | DSBGA | YPB | 8 | 3000 | RoHS & Green | SNAGCU | Level-1-260C-UNLIM | -40 to 85 | P 03 | Samples |
| LM78L09ITPX/NOPB | ACTIVE | DSBGA | YPB | 8 | 3000 | RoHS & Green | SNAGCU | Level-1-260C-UNLIM | -40 to 85 | P 02 | Samples |
| LM78L12ACM | NRND | SOIC | D | 8 | 95 | Non-RoHS & Green | Call TI | Level-1-235C-UNLIM | 0 to 125 | LM78L 12ACM | |
| LM78L12ACM/NOPB | ACTIVE | SOIC | D | 8 | 95 | RoHS & Green | SN | Level-1-260C-UNLIM | 0 to 125 | LM78L 12ACM | Samples |
| LM78L12ACMX/NOPB | ACTIVE | SOIC | D | 8 | 2500 | RoHS & Green | SN | Level-1-260C-UNLIM | 0 to 125 | LM78L | Samples |

| Orderable Device | Status (1) | Package Type | Package Drawing | Pins | Package Qty | Eco Plan (2) | Lead finish/ Ball material (6) | MSL Peak Temp (3) | Op Temp (°C) | Device Marking (4/5) | Samples |
|------------------|---------------|--------------|-----------------|------|-------------|---------------------|--------------------------------------|----------------------|--------------|-------------------------|-------------------------|
| | | | | | | | | | | 12ACM | |
| LM78L12ACZ/LFT3 | ACTIVE | TO-92 | LP | 3 | 2000 | RoHS & Green | SN | N / A for Pkg Type | 0 to 125 | LM78L 12ACZ | Samples |
| LM78L12ACZ/LFT4 | ACTIVE | TO-92 | LP | 3 | 2000 | RoHS & Green | SN | N / A for Pkg Type | 0 to 125 | LM78L 12ACZ | Samples |
| LM78L12ACZ/LFT7 | ACTIVE | TO-92 | LP | 3 | 2000 | RoHS & Green | SN | N / A for Pkg Type | 0 to 125 | LM78L 12ACZ | Samples |
| LM78L12ACZ/NOPB | ACTIVE | TO-92 | LP | 3 | 1800 | RoHS & Green | SN | N / A for Pkg Type | 0 to 125 | LM78L 12ACZ | Samples |
| LM78L15ACM | NRND | SOIC | D | 8 | 95 | Non-RoHS & Green | Call TI | Level-1-235C-UNLIM | 0 to 125 | LM78L 15ACM | |
| LM78L15ACM/NOPB | ACTIVE | SOIC | D | 8 | 95 | RoHS & Green | SN | Level-1-260C-UNLIM | 0 to 125 | LM78L 15ACM | Samples |
| LM78L15ACMX | NRND | SOIC | D | 8 | 2500 | Non-RoHS & Green | Call TI | Level-1-235C-UNLIM | 0 to 125 | LM78L 15ACM | |
| LM78L15ACMX/NOPB | ACTIVE | SOIC | D | 8 | 2500 | RoHS & Green | SN | Level-1-260C-UNLIM | 0 to 125 | LM78L 15ACM | Samples |
| LM78L15ACZ/LFT4 | ACTIVE | TO-92 | LP | 3 | 2000 | RoHS & Green | SN | N / A for Pkg Type | 0 to 125 | LM78L 15ACZ | Samples |
| LM78L15ACZ/NOPB | ACTIVE | TO-92 | LP | 3 | 1800 | RoHS & Green | SN | N / A for Pkg Type | 0 to 125 | LM78L 15ACZ | Samples |
| LM78L62ACZ/NOPB | ACTIVE | TO-92 | LP | 3 | 1800 | RoHS & Green | SN | N / A for Pkg Type | 0 to 125 | LM78L 62ACZ | Samples |

(1) The marketing status values are defined as follows:

ACTIVE: Product device recommended for new designs.

LIFEBUY: TI has announced that the device will be discontinued, and a lifetime-buy period is in effect.

NRND: Not recommended for new designs. Device is in production to support existing customers, but TI does not recommend using this part in a new design.

PREVIEW: Device has been announced but is not in production. Samples may or may not be available.

OBSELETE: TI has discontinued the production of the device.

(2) **RoHS:** TI defines "RoHS" to mean semiconductor products that are compliant with the current EU RoHS requirements for all 10 RoHS substances, including the requirement that RoHS substance do not exceed 0.1% by weight in homogeneous materials. Where designed to be soldered at high temperatures, "RoHS" products are suitable for use in specified lead-free processes. TI may reference these types of products as "Pb-Free".

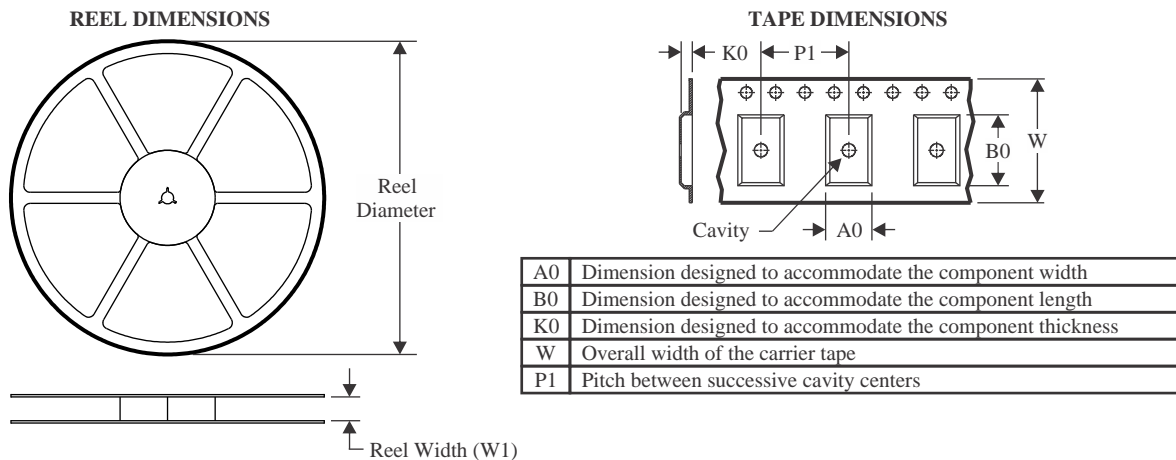
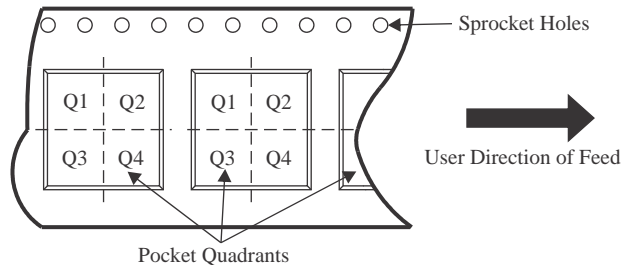
RoHS Exempt: TI defines "RoHS Exempt" to mean products that contain lead but are compliant with EU RoHS pursuant to a specific EU RoHS exemption.

Green: TI defines "Green" to mean the content of Chlorine (Cl) and Bromine (Br) based flame retardants meet JS709B low halogen requirements of <=1000ppm threshold. Antimony trioxide based flame retardants must also meet the <=1000ppm threshold requirement.

- (3) MSL, Peak Temp. - The Moisture Sensitivity Level rating according to the JEDEC industry standard classifications, and peak solder temperature.
- (4) There may be additional marking, which relates to the logo, the lot trace code information, or the environmental category on the device.
- (5) Multiple Device Markings will be inside parentheses. Only one Device Marking contained in parentheses and separated by a "~" will appear on a device. If a line is indented then it is a continuation of the previous line and the two combined represent the entire Device Marking for that device.
- (6) Lead finish/Ball material - Orderable Devices may have multiple material finish options. Finish options are separated by a vertical ruled line. Lead finish/Ball material values may wrap to two lines if the finish value exceeds the maximum column width.

Important Information and Disclaimer:The information provided on this page represents TI's knowledge and belief as of the date that it is provided. TI bases its knowledge and belief on information provided by third parties, and makes no representation or warranty as to the accuracy of such information. Efforts are underway to better integrate information from third parties. TI has taken and continues to take reasonable steps to provide representative and accurate information but may not have conducted destructive testing or chemical analysis on incoming materials and chemicals. TI and TI suppliers consider certain information to be proprietary, and thus CAS numbers and other limited information may not be available for release.

In no event shall TI's liability arising out of such information exceed the total purchase price of the TI part(s) at issue in this document sold by TI to Customer on an annual basis.

TAPE AND REEL INFORMATION

QUADRANT ASSIGNMENTS FOR PIN 1 ORIENTATION IN TAPE


*All dimensions are nominal

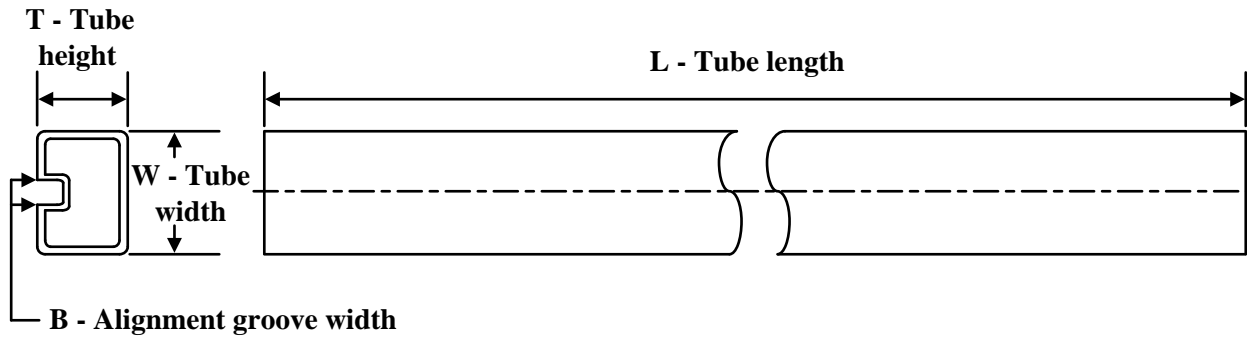
| Device | Package Type | Package Drawing | Pins | SPQ | Reel Diameter (mm) | Reel Width W1 (mm) | A0 (mm) | B0 (mm) | K0 (mm) | P1 (mm) | W (mm) | Pin1 Quadrant |
|------------------|--------------|-----------------|------|------|--------------------|--------------------|---------|---------|---------|---------|--------|---------------|
| LM78L05ACMX | SOIC | D | 8 | 2500 | 330.0 | 12.4 | 6.5 | 5.4 | 2.0 | 8.0 | 12.0 | Q1 |
| LM78L05ACMX/NOPB | SOIC | D | 8 | 2500 | 330.0 | 12.4 | 6.5 | 5.4 | 2.0 | 8.0 | 12.0 | Q1 |
| LM78L05AIMX/NOPB | SOIC | D | 8 | 2500 | 330.0 | 12.4 | 6.5 | 5.4 | 2.0 | 8.0 | 12.0 | Q1 |
| LM78L05ITP/NOPB | DSBGA | YPB | 8 | 250 | 178.0 | 8.4 | 1.5 | 1.5 | 0.66 | 4.0 | 8.0 | Q1 |
| LM78L05ITPX/NOPB | DSBGA | YPB | 8 | 3000 | 178.0 | 8.4 | 1.5 | 1.5 | 0.66 | 4.0 | 8.0 | Q1 |
| LM78L09ITPX/NOPB | DSBGA | YPB | 8 | 3000 | 178.0 | 8.4 | 1.5 | 1.5 | 0.66 | 4.0 | 8.0 | Q1 |
| LM78L12ACMX/NOPB | SOIC | D | 8 | 2500 | 330.0 | 12.4 | 6.5 | 5.4 | 2.0 | 8.0 | 12.0 | Q1 |
| LM78L15ACMX | SOIC | D | 8 | 2500 | 330.0 | 12.4 | 6.5 | 5.4 | 2.0 | 8.0 | 12.0 | Q1 |
| LM78L15ACMX/NOPB | SOIC | D | 8 | 2500 | 330.0 | 12.4 | 6.5 | 5.4 | 2.0 | 8.0 | 12.0 | Q1 |

TAPE AND REEL BOX DIMENSIONS



*All dimensions are nominal

| Device | Package Type | Package Drawing | Pins | SPQ | Length (mm) | Width (mm) | Height (mm) |
|------------------|--------------|-----------------|------|------|-------------|------------|-------------|
| LM78L05ACMX | SOIC | D | 8 | 2500 | 367.0 | 367.0 | 35.0 |
| LM78L05ACMX/NOPB | SOIC | D | 8 | 2500 | 367.0 | 367.0 | 35.0 |
| LM78L05AIMX/NOPB | SOIC | D | 8 | 2500 | 367.0 | 367.0 | 35.0 |
| LM78L05ITP/NOPB | DSBGA | YPB | 8 | 250 | 208.0 | 191.0 | 35.0 |
| LM78L05ITPX/NOPB | DSBGA | YPB | 8 | 3000 | 208.0 | 191.0 | 35.0 |
| LM78L09ITPX/NOPB | DSBGA | YPB | 8 | 3000 | 208.0 | 191.0 | 35.0 |
| LM78L12ACMX/NOPB | SOIC | D | 8 | 2500 | 367.0 | 367.0 | 35.0 |
| LM78L15ACMX | SOIC | D | 8 | 2500 | 367.0 | 367.0 | 35.0 |
| LM78L15ACMX/NOPB | SOIC | D | 8 | 2500 | 367.0 | 367.0 | 35.0 |

TUBE


*All dimensions are nominal

| Device | Package Name | Package Type | Pins | SPQ | L (mm) | W (mm) | T (μm) | B (mm) |
|-----------------|--------------|--------------|------|-----|--------|--------|--------|--------|
| LM78L05ACM | D | SOIC | 8 | 95 | 495 | 8 | 4064 | 3.05 |
| LM78L05ACM | D | SOIC | 8 | 95 | 495 | 8 | 4064 | 3.05 |
| LM78L05ACM/NOPB | D | SOIC | 8 | 95 | 495 | 8 | 4064 | 3.05 |
| LM78L05AIM/NOPB | D | SOIC | 8 | 95 | 495 | 8 | 4064 | 3.05 |
| LM78L12ACM | D | SOIC | 8 | 95 | 495 | 8 | 4064 | 3.05 |
| LM78L12ACM | D | SOIC | 8 | 95 | 495 | 8 | 4064 | 3.05 |
| LM78L12ACM/NOPB | D | SOIC | 8 | 95 | 495 | 8 | 4064 | 3.05 |
| LM78L15ACM | D | SOIC | 8 | 95 | 495 | 8 | 4064 | 3.05 |
| LM78L15ACM | D | SOIC | 8 | 95 | 495 | 8 | 4064 | 3.05 |
| LM78L15ACM/NOPB | D | SOIC | 8 | 95 | 495 | 8 | 4064 | 3.05 |



D0008A

PACKAGE OUTLINE

SOIC - 1.75 mm max height

SMALL OUTLINE INTEGRATED CIRCUIT



4214825/C 02/2019

NOTES:

- Linear dimensions are in inches [millimeters]. Dimensions in parenthesis are for reference only. Controlling dimensions are in inches. Dimensioning and tolerancing per ASME Y14.5M.
- This drawing is subject to change without notice.
- This dimension does not include mold flash, protrusions, or gate burrs. Mold flash, protrusions, or gate burrs shall not exceed .006 [0.15] per side.
- This dimension does not include interlead flash.
- Reference JEDEC registration MS-012, variation AA.

EXAMPLE BOARD LAYOUT

D0008A

SOIC - 1.75 mm max height

SMALL OUTLINE INTEGRATED CIRCUIT



LAND PATTERN EXAMPLE
EXPOSED METAL SHOWN
SCALE:8X



SOLDER MASK DETAILS

4214825/C 02/2019

NOTES: (continued)

6. Publication IPC-7351 may have alternate designs.

7. Solder mask tolerances between and around signal pads can vary based on board fabrication site.

EXAMPLE STENCIL DESIGN

D0008A

SOIC - 1.75 mm max height

SMALL OUTLINE INTEGRATED CIRCUIT



SOLDER PASTE EXAMPLE
BASED ON .005 INCH [0.125 MM] THICK STENCIL
SCALE:8X

4214825/C 02/2019

NOTES: (continued)

8. Laser cutting apertures with trapezoidal walls and rounded corners may offer better paste release. IPC-7525 may have alternate design recommendations.
9. Board assembly site may have different recommendations for stencil design.

GENERIC PACKAGE VIEW

LP 3

TO-92 - 5.34 mm max height

TRANSISTOR OUTLINE



Images above are just a representation of the package family, actual package may vary.
Refer to the product data sheet for package details.

4040001-2/F

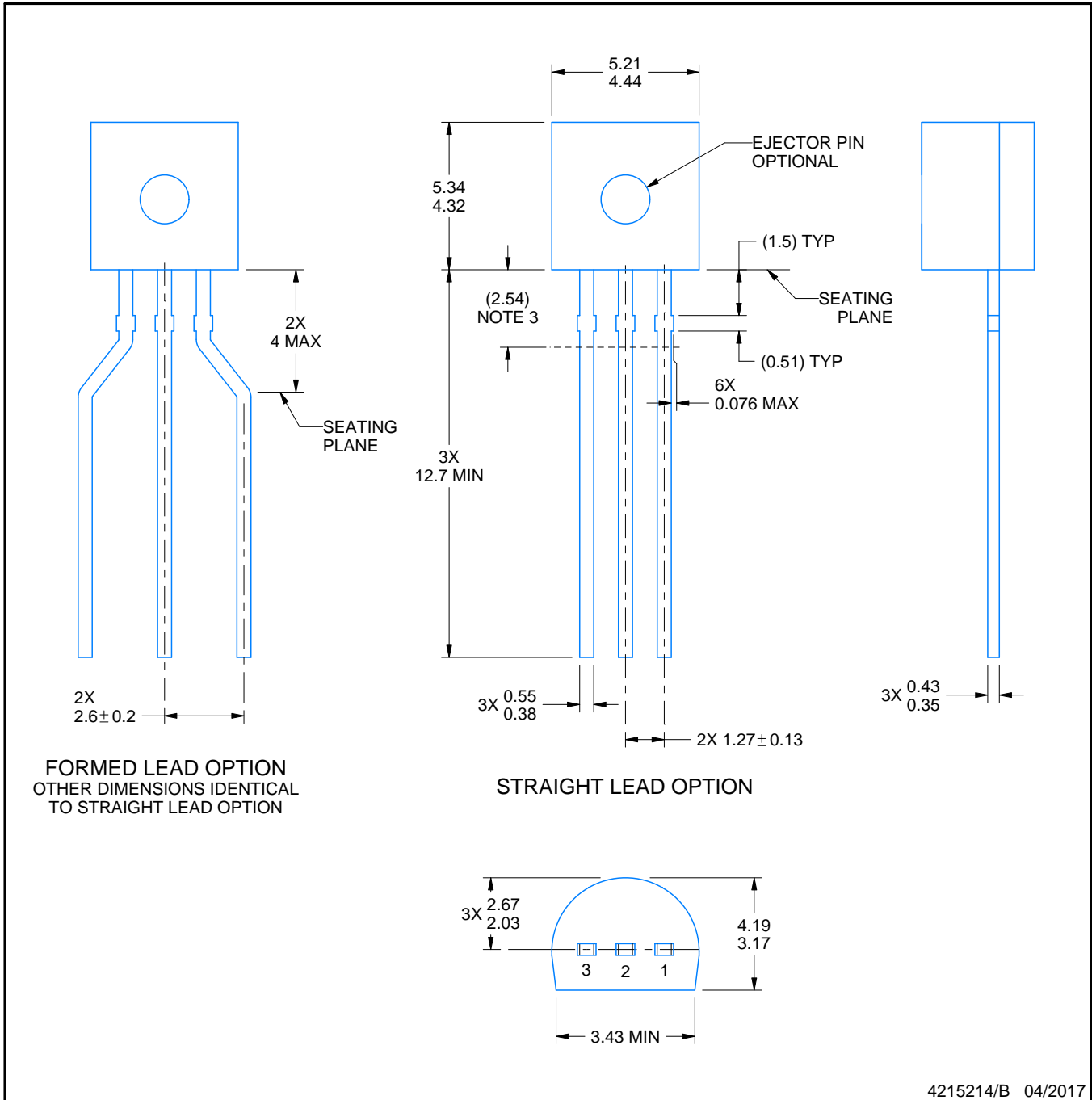
LP0003A



PACKAGE OUTLINE

TO-92 - 5.34 mm max height

TO-92



4215214/B 04/2017

NOTES:

1. All linear dimensions are in millimeters. Any dimensions in parenthesis are for reference only. Dimensioning and tolerancing per ASME Y14.5M.
2. This drawing is subject to change without notice.
3. Lead dimensions are not controlled within this area.
4. Reference JEDEC TO-226, variation AA.
5. Shipping method:
 - a. Straight lead option available in bulk pack only.
 - b. Formed lead option available in tape and reel or ammo pack.
 - c. Specific products can be offered in limited combinations of shipping medium and lead options.
 - d. Consult product folder for more information on available options.

EXAMPLE BOARD LAYOUT

LP0003A

TO-92 - 5.34 mm max height

TO-92



LAND PATTERN EXAMPLE
STRAIGHT LEAD OPTION
NON-SOLDER MASK DEFINED
SCALE:15X



LAND PATTERN EXAMPLE
FORMED LEAD OPTION
NON-SOLDER MASK DEFINED
SCALE:15X

4215214/B 04/2017

TAPE SPECIFICATIONS

LP0003A

TO-92 - 5.34 mm max height

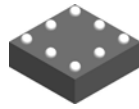
TO-92



FOR FORMED LEAD OPTION PACKAGE

4215214/B 04/2017

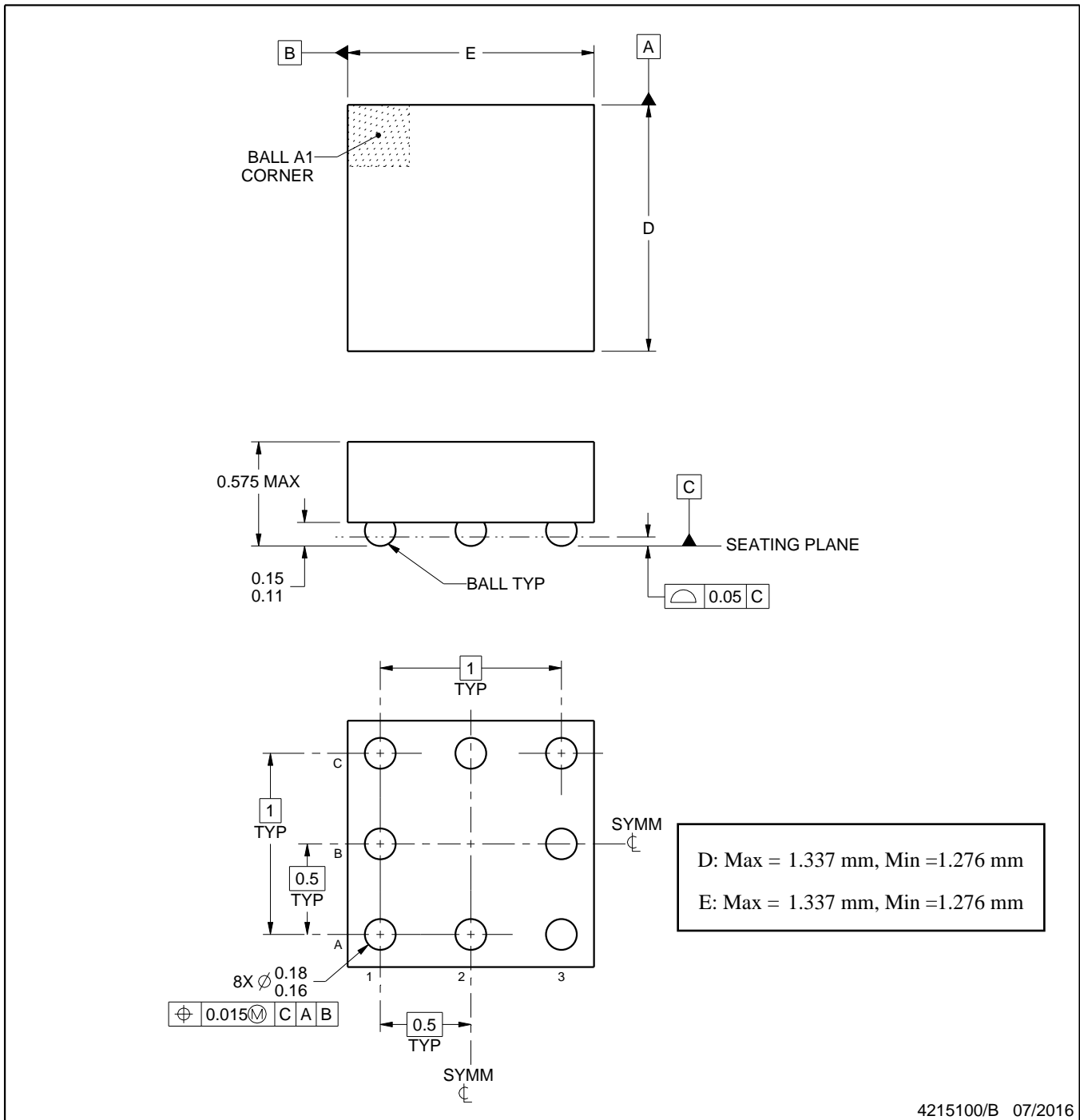
YPB0008



PACKAGE OUTLINE

DSBGA - 0.575 mm max height

DIE SIZE BALL GRID ARRAY



NOTES:

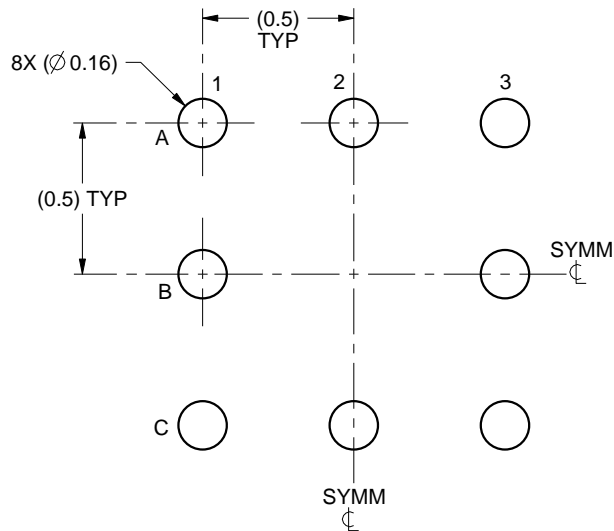
1. All linear dimensions are in millimeters. Any dimensions in parenthesis are for reference only. Dimensioning and tolerancing per ASME Y14.5M.
2. This drawing is subject to change without notice.

EXAMPLE BOARD LAYOUT

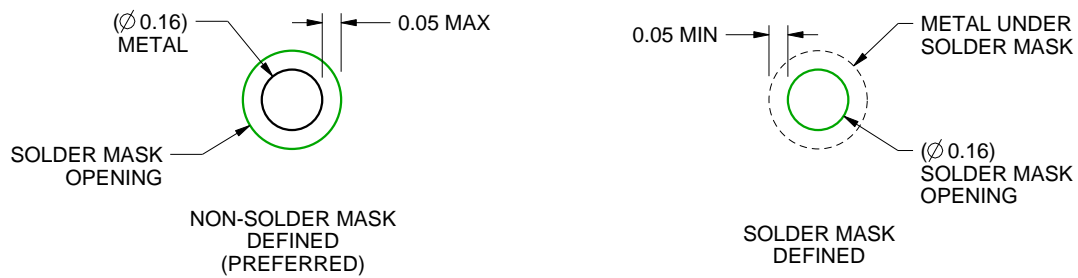
YPB0008

DSBGA - 0.575 mm max height

DIE SIZE BALL GRID ARRAY



LAND PATTERN EXAMPLE
SCALE:40X



SOLDER MASK DETAILS
NOT TO SCALE

4215100/B 07/2016

NOTES: (continued)

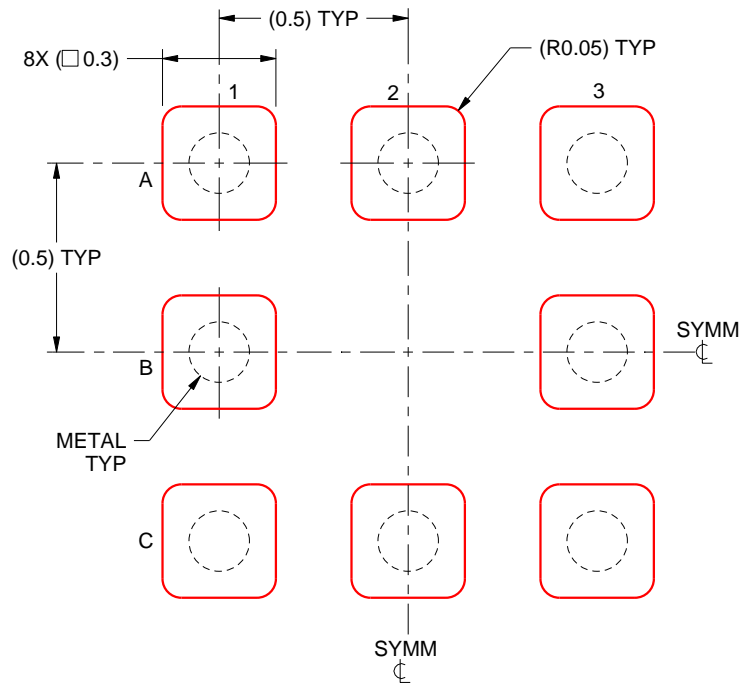
- Final dimensions may vary due to manufacturing tolerance considerations and also routing constraints. See Texas Instruments Literature No. SNVA009 (www.ti.com/lit/snva009).

EXAMPLE STENCIL DESIGN

YPB0008

DSBGA - 0.575 mm max height

DIE SIZE BALL GRID ARRAY



SOLDER PASTE EXAMPLE
BASED ON 0.125mm THICK STENCIL
SCALE:50X

4215100/B 07/2016

NOTES: (continued)

4. Laser cutting apertures with trapezoidal walls and rounded corners may offer better paste release.

IMPORTANT NOTICE AND DISCLAIMER

TI PROVIDES TECHNICAL AND RELIABILITY DATA (INCLUDING DATA SHEETS), DESIGN RESOURCES (INCLUDING REFERENCE DESIGNS), APPLICATION OR OTHER DESIGN ADVICE, WEB TOOLS, SAFETY INFORMATION, AND OTHER RESOURCES "AS IS" AND WITH ALL FAULTS, AND DISCLAIMS ALL WARRANTIES, EXPRESS AND IMPLIED, INCLUDING WITHOUT LIMITATION ANY IMPLIED WARRANTIES OF MERCHANTABILITY, FITNESS FOR A PARTICULAR PURPOSE OR NON-INFRINGEMENT OF THIRD PARTY INTELLECTUAL PROPERTY RIGHTS.

These resources are intended for skilled developers designing with TI products. You are solely responsible for (1) selecting the appropriate TI products for your application, (2) designing, validating and testing your application, and (3) ensuring your application meets applicable standards, and any other safety, security, regulatory or other requirements.

These resources are subject to change without notice. TI grants you permission to use these resources only for development of an application that uses the TI products described in the resource. Other reproduction and display of these resources is prohibited. No license is granted to any other TI intellectual property right or to any third party intellectual property right. TI disclaims responsibility for, and you will fully indemnify TI and its representatives against, any claims, damages, costs, losses, and liabilities arising out of your use of these resources.

TI's products are provided subject to [TI's Terms of Sale](#) or other applicable terms available either on ti.com or provided in conjunction with such TI products. TI's provision of these resources does not expand or otherwise alter TI's applicable warranties or warranty disclaimers for TI products.

TI objects to and rejects any additional or different terms you may have proposed.

Mailing Address: Texas Instruments, Post Office Box 655303, Dallas, Texas 75265
Copyright © 2022, Texas Instruments Incorporated

X-ON Electronics

Largest Supplier of Electrical and Electronic Components

Click to view similar products for [Linear Voltage Regulators](#) category:

Click to view products by [Texas Instruments](#) manufacturer:

Other Similar products are found below :

[LV5684PVD-XH](#) [MCDTSA6-2R](#) [L7815ACV-DG](#) [714954EB](#) [ZMR500QFTA](#) [BA033LBSG2-TR](#) [LV5680P-E](#) [L79M05T-E](#) [L78LR05D-MA-E](#) [NCV317MBTG](#) [NTE7227](#) [MP2018GZD-33-P](#) [MP2018GZD-5-P](#) [LV5680NPVC-XH](#) [LT1054CN8](#) [ZTS6538SE](#) [UA78L09CLP](#) [UA78L09CLPR](#) [CAT6221-PPTD-GT3](#) [MC78M09CDTRK](#) [NCV51190MNTAG](#) [78M05](#) [HT7150-1](#) [UM1540DB-18](#) [XC6234H281VR-G](#) [WL2834CA-6/TR](#) [TPL730F33-5TR](#) [TLS850F1TA](#) [V50](#) [TPS549B22RVFR](#) [UM1540DB-33](#) [WL9200P3-50B](#) [WL9100P3-33B](#) [WL9005D4-33](#) [XC6219B152MR](#) [WL2855K33-3/TR](#) [PJ54BM33SE](#) [PJ9500M25SA](#) [MD7218E33PC1](#) [H7533-2PR](#) [SK7812AU](#) [SD1A30](#) [78L33](#) [TP78L33T3](#) [L78L33ACUTR](#) [SK6513ST3A-50](#) [SK6054D4-09](#) [SK6054D4-18](#) [SK6054D4-11](#) [SK6054D4-10](#) [LM79L12F](#)