

具有集成麦克风偏置和输入故障诊断功能的 PCM6xx0-Q1 汽车类、4 通道和 6 通道、768kHz 音频 ADC

1 特性

- 符合面向汽车应用的 AEC-Q100 标准
 - 温度等级 1: $-40^{\circ}\text{C} \leq T_A \leq +125^{\circ}\text{C}$
- ADC 性能:
 - 线路差分输入动态范围: 110dB
 - 麦克风差分输入动态范围: 110dB
 - THD+N: -94dB
 - 通道相加模式可提高 SNR
- ADC 输入电压:
 - 差分 $10V_{\text{RMS}}$ 满量程输入
 - 单端 $5V_{\text{RMS}}$ 满量程输入
- ADC 采样率 (f_s) = 8kHz 至 768kHz
- 可编程通道设置:
 - 通道增益: 0dB 至 42dB, 步长 1dB
 - 数字音量控制: -100dB 至 27dB
 - 增益校准分辨率为 0.1dB
 - 相位校准分辨率为 163ns
- 可编程麦克风偏置 (5V 至 9V):
 - 具有集成的高效升压转换器, 或
 - 具有外部高电压 HVDD 电源
- 可编程麦克风输入故障诊断:
 - 开路输入或短路输入
 - 接地短路、MICBIAS 或 VBAT
 - 麦克风偏置过流保护
- 低延迟信号处理滤波器选择
- 可编程 HPF 和双二阶数字滤波器
- I²C 或 SPI 控制
- 音频串行数据接口:
 - 格式: TDM、I²S 或左平衡 (LJ)
 - 字长: 16 位、20 位、24 位或 32 位
 - 主/从接口
- 3.3V 单电源运行
- I/O 电源运行: 3.3V 或 1.8V
- 功耗: 在 48kHz 下 < 21.5mW/通道

2 应用

- 汽车有源噪声消除
- 汽车音响主机
- 汽车外部放大器

3 说明

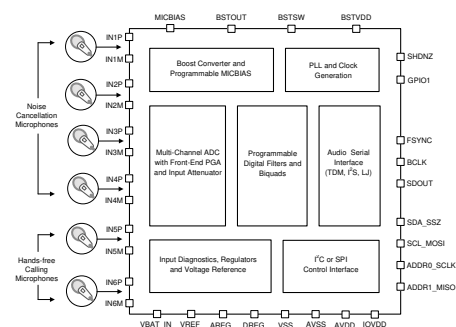
4 通道 PCM6x40-Q1 (PCM6240-Q1、PCM6340-Q1) 和 6 通道 PCM6x60-Q1 (PCM6260-Q1、PCM6360-Q1) 是高性能音频模数转换器 (ADC), 支持高达 $10V_{\text{RMS}}$ 的模拟输入信号。PCM6x40-Q1 和 PCM6x60-Q1 (PCM6xx0-Q1) 支持线路和麦克风输入, 并允许单端和差分输入配置。这类器件具有集成的高电压、可编程麦克风偏置和输入诊断电路, 可直接连接到基于麦克风的汽车系统, 提供全面的直接耦合输入故障诊断功能。PCM62x0-Q1 集成了一个高效的升压转换器, 以通过外部低电压 3.3V 电源产生高电压麦克风偏置; 而 PCM63x0-Q1 直接使用系统内随时可用的外部高电压电源 (HVDD), 以产生高电压、可编程的麦克风偏置。PCM6xx0-Q1 集成了可编程通道增益、数字音量控制、低抖动锁相环 (PLL)、可编程高通滤波器 (HPF)、双二阶滤波器、低延迟滤波器模式, 并可实现高达 768kHz 的采样率。PCM6xx0-Q1 支持时分多路复用 (TDM)、I²S 或左平衡 (LJ) 音频格式, 并可通过 I²C 或 SPI 接口进行控制。这些集成的高性能特性以及 3.3V 单电源运行, 使 PCM6xx0-Q1 系列特别适用于空间受限的汽车系统。

器件信息(1)

器件型号	封装	封装尺寸 (标称值)
PCM6xx0-Q1	WQFN (32)	5.00mm x 5.00mm, 间距为 0.5mm

(1) 如需了解所有可用封装, 请参阅数据表末尾的封装选项附录。

简化的应用示意图 (PCM6260-Q1)



目录

1 特性	1	8.3 Feature Description	28
2 应用	1	8.4 Device Functional Modes	64
3 说明	1	8.5 Programming	65
4 修订历史记录	2	8.6 Register Maps	69
5 器件比较表	3	9 Application and Implementation	142
6 Pin Configuration and Functions	4	9.1 Application Information	142
7 Specifications	12	9.2 Typical Applications	142
7.1 Absolute Maximum Ratings	12	9.3 What To Do and What Not To Do	145
7.2 ESD Ratings	12	10 Power Supply Recommendations	146
7.3 Recommended Operating Conditions	12	11 Layout	147
7.4 Thermal Information	13	11.1 Layout Guidelines	147
7.5 Electrical Characteristics	13	11.2 Layout Examples	147
7.6 Timing Requirements: I ² C Interface	17	12 器件和文档支持	149
7.7 Switching Characteristics: I ² C Interface	17	12.1 器件支持	149
7.8 Timing Requirements: SPI Interface	18	12.2 文档支持	149
7.9 Switching Characteristics: SPI Interface	18	12.3 相关链接	149
7.10 Timing Requirements: TDM, I ² S or LJ Interface ...	18	12.4 接收文档更新通知	149
7.11 Switching Characteristics: TDM, I ² S or LJ Interface	18	12.5 社区资源	149
7.12 Typical Characteristics	20	12.6 商标	150
8 Detailed Description	23	12.7 静电放电警告	150
8.1 Overview	23	12.8 Glossary	150
8.2 Functional Block Diagrams	24	13 机械、封装和可订购信息	151

4 修订历史记录

注：之前版本的页码可能与当前版本有所不同。

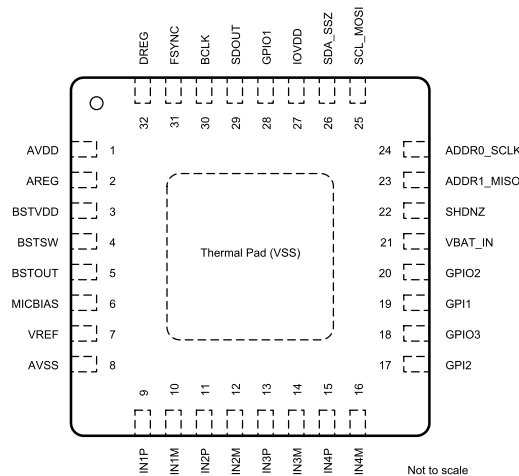
日期	修订版本	说明
2020 年 3 月	*	最初发布版本。

5 器件比较表

特性	PCM6240-Q1	PCM6260-Q1	PCM6340-Q1	PCM6360-Q1
控制接口	I ² C 或 SPI			
数字音频串行接口	TDM、I ² S 或左平衡 (LJ)			
模拟音频通道	4	6	4	6
通用输入或输出引脚	5	1	5	1
麦克风偏置电压	可编程范围为 5V 至 9V，阶跃为 0.5V			
麦克风偏置 LDO 电源	配合使用集成的高效升压转换器和外部低电压 BSTVDD = 3.3V 电源来产生		使用外部高电压 HVDD 电源（高达 12V）直接供电	
输入故障诊断	针对具有可编程阈值的直流耦合麦克风输入，提供全面的输入故障诊断			
封装	WQFN (RTV)，32 引脚，5.00mm x 5.00mm（间距为 0.5mm）			

6 Pin Configuration and Functions

**PCM6240-Q1 RTV Package
32-Pin WQFN With Exposed Thermal Pad
Top View**



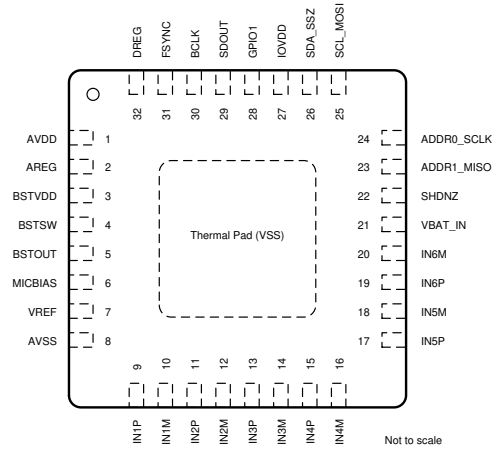
Pin Functions: PCM6240-Q1

PIN		TYPE	DESCRIPTION
NO.	NAME		
1	AVDD	Analog supply	Analog power (3.3 V, nominal)
2	AREG	Analog supply	Analog on-chip regulator output voltage for analog supply (1.8 V, nominal)
3	BSTVDD	Analog supply	Boost converter supply voltage (3.3 V, nominal)
4	BSTSW	Analog supply	Boost converter switch input
5	BSTOUT	Analog supply	Boost converter output voltage
6	MICBIAS	Analog	MICBIAS output (programmable output up to 9 V)
7	VREF	Analog	Analog reference voltage filter output
8	AVSS	Analog supply	Analog ground. Short this pin directly to the board ground plane.
9	IN1P	Analog input	Analog input 1P pin
10	IN1M	Analog input	Analog input 1M pin
11	IN2P	Analog input	Analog input 2P pin
12	IN2M	Analog input	Analog input 2M pin
13	IN3P	Analog input	Analog input 3P pin
14	IN3M	Analog input	Analog input 3M pin
15	IN4P	Analog input	Analog input 4P pin
16	IN4M	Analog input	Analog input 4M pin
17	GPI2	Digital input	General-purpose digital input 2 (multipurpose functions such as daisy-chain input, PLL input clock source, and so forth)
18	GPIO3	Digital I/O	General-purpose digital input/output 3 (multipurpose functions such as daisy-chain input, audio data output, PLL input clock source, interrupt, and so forth)
19	GPI1	Digital input	General-purpose digital input 1 (multipurpose functions such as daisy-chain input, PLL input clock source, and so forth)
20	GPIO2	Digital I/O	General-purpose digital input/output 2 (multipurpose functions such as daisy-chain input, audio data output, PLL input clock source, interrupt, and so forth)
21	VBAT_IN	Analog	Analog VBAT input monitoring pin (used for input diagnostics)

Pin Functions: PCM6240-Q1 (continued)

PIN		TYPE	DESCRIPTION
NO.	NAME		
22	SHDNZ	Digital input	Device hardware shutdown and reset (active low)
23	ADDR1_MISO	Digital I/O	For I ² C operation: I ² C slave address A1 pin For SPI operation: SPI slave output pin
24	ADDR0_SCLK	Digital input	For I ² C operation: I ² C slave address A0 pin For SPI operation : SPI serial bit clock
25	SCL_MOSI	Digital input	For I ² C operation: clock pin for I ² C control bus For SPI operation: SPI slave input pin
26	SDA_SSZ	Digital I/O	For I ² C operation: data pin for I ² C control bus For SPI operation: SPI slave-select pin
27	IOVDD	Digital supply	Digital I/O power supply (1.8 V or 3.3 V, nominal)
28	GPIO1	Digital I/O	General-purpose digital input/output 1 (multipurpose functions such as daisy-chain input, audio data output, PLL input clock source, interrupt, and so forth)
29	SDOUT	Digital output	Audio serial data interface bus output
30	BCLK	Digital I/O	Audio serial data interface bus bit clock
31	FSYNC	Digital I/O	Audio serial data interface bus frame synchronization signal
32	DREG	Digital supply	Digital regulator output voltage for digital core supply (1.5 V, nominal)
Thermal Pad (VSS)		Ground supply	Thermal pad shorted to internal device ground. Short the thermal pad directly to the board ground plane.

PCM6260-Q1 RTV Package
32-Pin WQFN With Exposed Thermal Pad
Top View



Pin Functions: PCM6260-Q1

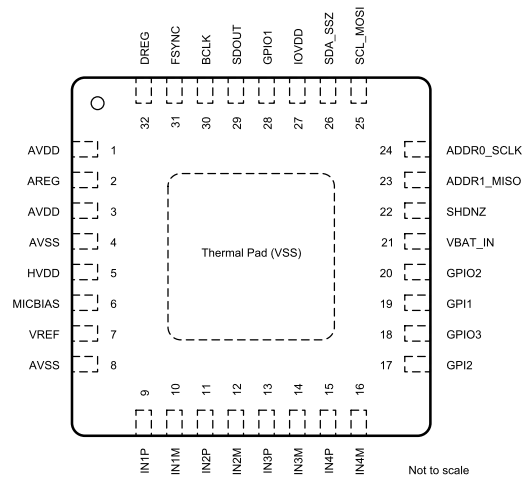
PIN		TYPE	DESCRIPTION
NO.	NAME		
1	AVDD	Analog supply	Analog power (3.3 V, nominal)
2	AREG	Analog supply	Analog on-chip regulator output voltage for analog supply (1.8 V, nominal)
3	BSTVDD	Analog supply	Boost converter supply voltage (3.3 V, nominal)
4	BSTSW	Analog supply	Boost converter switch input
5	BSTOUT	Analog supply	Boost converter output voltage
6	MICBIAS	Analog	MICBIAS output (programmable output up to 9 V)
7	VREF	Analog	Analog reference voltage filter output
8	AVSS	Analog supply	Analog ground. Short this pin directly to the board ground plane.
9	IN1P	Analog input	Analog input 1P pin
10	IN1M	Analog input	Analog input 1M pin
11	IN2P	Analog input	Analog input 2P pin
12	IN2M	Analog input	Analog input 2M pin
13	IN3P	Analog input	Analog input 3P pin
14	IN3M	Analog input	Analog input 3M pin
15	IN4P	Analog input	Analog input 4P pin
16	IN4M	Analog input	Analog input 4M pin
17	IN5P	Analog input	Analog input 5P pin
18	IN5M	Analog input	Analog input 5M pin
19	IN6P	Analog input	Analog input 6P pin
20	IN6M	Analog input	Analog input 6M pin
21	VBAT_IN	Analog	Analog VBAT input monitoring pin (used for input diagnostics)
22	SHDNZ	Digital input	Device hardware shutdown and reset (active low)
23	ADDR1_MISO	Digital I/O	For I ² C operation: I ² C slave address A1 pin For SPI operation: SPI slave output pin
24	ADDR0_SCLK	Digital input	For I ² C operation: I ² C slave address A0 pin For SPI operation : SPI serial bit clock
25	SCL_MOSI	Digital input	For I ² C operation: clock pin for I ² C control bus For SPI operation: SPI slave input pin
26	SDA_SSZ	Digital I/O	For I ² C operation: data pin for I ² C control bus For SPI operation: SPI slave-select pin
27	IOVDD	Digital supply	Digital I/O power supply (1.8 V or 3.3 V, nominal)

ADVANCE INFORMATION

Pin Functions: PCM6260-Q1 (continued)

PIN		TYPE	DESCRIPTION
NO.	NAME		
28	GPIO1	Digital I/O	General-purpose digital input/output 1 (multipurpose functions such as daisy-chain input, audio data output, PLL input clock source, interrupt, and so forth)
29	SDOUT	Digital output	Audio serial data interface bus output
30	BCLK	Digital I/O	Audio serial data interface bus bit clock
31	FSYNC	Digital I/O	Audio serial data interface bus frame synchronization signal
32	DREG	Digital supply	Digital regulator output voltage for digital core supply (1.5 V, nominal)
Thermal Pad (VSS)		Ground supply	Thermal pad shorted to internal device ground. Short the thermal pad directly to the board ground plane.

**PCM6340-Q1 RTV Package
32-Pin WQFN With Exposed Thermal Pad
Top View**



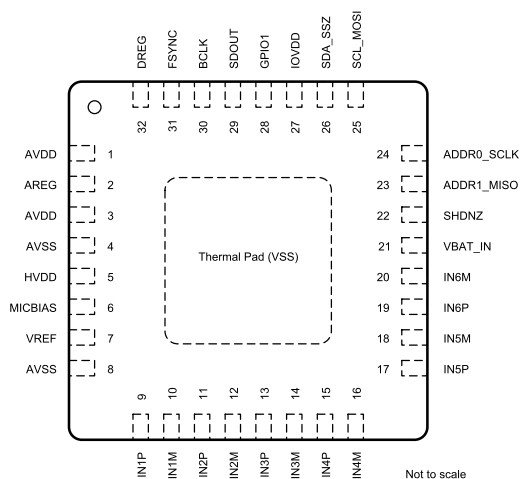
Pin Functions: PCM6340-Q1

PIN		TYPE	DESCRIPTION
NO.	NAME		
1	AVDD	Analog supply	Analog power (3.3 V, nominal)
2	AREG	Analog supply	Analog on-chip regulator output voltage for analog supply (1.8 V, nominal)
3	AVDD	Analog supply	Analog power (3.3 V, nominal)
4	AVSS	Analog supply	Analog ground
5	HVDD	Analog supply	Analog power (11 V, nominal)
6	MICBIAS	Analog	MICBIAS output (programmable output up to 9 V)
7	VREF	Analog	Analog reference voltage filter output
8	AVSS	Analog supply	Analog ground. Short this pin directly to the board ground plane.
9	IN1P	Analog input	Analog input 1P pin
10	IN1M	Analog input	Analog input 1M pin
11	IN2P	Analog input	Analog input 2P pin
12	IN2M	Analog input	Analog input 2M pin
13	IN3P	Analog input	Analog input 3P pin
14	IN3M	Analog input	Analog input 3M pin
15	IN4P	Analog input	Analog input 4P pin
16	IN4M	Analog input	Analog input 4M pin
17	GPI2	Digital input	General-purpose digital input 2 (multipurpose functions such as daisy-chain input, PLL input clock source, and so forth)
18	GPIO3	Digital I/O	General-purpose digital input/output 3 (multipurpose functions such as daisy-chain input, audio data output, PLL input clock source, interrupt, and so forth)
19	GPI1	Digital input	General-purpose digital input 1 (multipurpose functions such as daisy-chain input, PLL input clock source, and so forth)
20	GPIO2	Digital I/O	General-purpose digital input/output 2 (multipurpose functions such as daisy-chain input, audio data output, PLL input clock source, interrupt, and so forth)
21	VBAT_IN	Analog	Analog VBAT input monitoring pin (used for input diagnostics)
22	SHDNZ	Digital input	Device hardware shutdown and reset (active low)

Pin Functions: PCM6340-Q1 (continued)

PIN		TYPE	DESCRIPTION
NO.	NAME		
23	ADDR1_MISO	Digital I/O	For I ² C operation: I ² C slave address A1 pin For SPI operation: SPI slave output pin
24	ADDR0_SCLK	Digital input	For I ² C operation: I ² C slave address A0 pin For SPI operation: SPI serial bit clock
25	SCL_MOSI	Digital input	For I ² C operation: clock pin for I ² C control bus For SPI operation: SPI slave input pin
26	SDA_SSZ	Digital I/O	For I ² C operation: data pin for I ² C control bus For SPI operation: SPI slave-select pin
27	IOVDD	Digital supply	Digital I/O power supply (1.8 V or 3.3 V, nominal)
28	GPIO1	Digital I/O	General-purpose digital input/output 1 (multipurpose functions such as daisy-chain input, audio data output, PLL input clock source, interrupt, and so forth)
29	SDOUT	Digital output	Audio serial data interface bus output
30	BCLK	Digital I/O	Audio serial data interface bus bit clock
31	FSYNC	Digital I/O	Audio serial data interface bus frame synchronization signal
32	DREG	Digital supply	Digital regulator output voltage for digital core supply (1.5 V, nominal)
Thermal Pad (VSS)		Ground supply	Thermal pad shorted to internal device ground. Short the thermal pad directly to the board ground plane.

PCM6360-Q1 RTV Package
32-Pin WQFN With Exposed Thermal Pad
Top View



Pin Functions: PCM6360-Q1

PIN		TYPE	DESCRIPTION
NO.	NAME		
1	AVDD	Analog supply	Analog power (3.3 V, nominal)
2	AREG	Analog supply	Analog on-chip regulator output voltage for analog supply (1.8 V, nominal)
3	AVDD	Analog supply	Analog power (3.3 V, nominal)
4	AVSS	Analog supply	Analog ground
5	HVDD	Analog supply	Analog power (11 V, nominal)
6	MICBIAS	Analog	MICBIAS output (programmable output up to 9 V)
7	VREF	Analog	Analog reference voltage filter output
8	AVSS	Analog supply	Analog ground. Short this pin directly to the board ground plane.
9	IN1P	Analog input	Analog input 1P pin
10	IN1M	Analog input	Analog input 1M pin
11	IN2P	Analog input	Analog input 2P pin
12	IN2M	Analog input	Analog input 2M pin
13	IN3P	Analog input	Analog input 3P pin
14	IN3M	Analog input	Analog input 3M pin
15	IN4P	Analog input	Analog input 4P pin
16	IN4M	Analog input	Analog input 4M pin
17	IN5P	Analog input	Analog input 5P pin
18	IN5M	Analog input	Analog input 5M pin
19	IN6P	Analog input	Analog input 6P pin
20	IN6M	Analog input	Analog input 6M pin
21	VBAT_IN	Analog	Analog VBAT input monitoring pin (used for input diagnostics)
22	SHDNZ	Digital input	Device hardware shutdown and reset (active low)
23	ADDR1_MISO	Digital I/O	For I ² C operation: I ² C slave address A1 pin For SPI operation: SPI slave output pin
24	ADDR0_SCLK	Digital input	For I ² C operation: I ² C slave address A0 pin For SPI operation: SPI serial bit clock

ADVANCE INFORMATION

Pin Functions: PCM6360-Q1 (continued)

PIN		TYPE	DESCRIPTION
NO.	NAME		
25	SCL_MOSI	Digital input	For I ² C operation: clock pin for I ² C control bus For SPI operation: SPI slave input pin
26	SDA_SSZ	Digital I/O	For I ² C operation: data pin for I ² C control bus For SPI operation: SPI slave-select pin
27	IOVDD	Digital supply	Digital I/O power supply (1.8 V or 3.3V, nominal)
28	GPIO1	Digital I/O	General-purpose digital input/output 1 (multipurpose functions such as daisy-chain input, audio data output, PLL input clock source, interrupt, and so forth)
29	SDOUT	Digital output	Audio serial data interface bus output
30	BCLK	Digital I/O	Audio serial data interface bus bit clock
31	FSYNC	Digital I/O	Audio serial data interface bus frame synchronization signal
32	DREG	Digital supply	Digital regulator output voltage for digital core supply (1.5 V, nominal)
Thermal Pad (VSS)		Ground supply	Thermal pad shorted to internal device ground. Short the thermal pad directly to the board ground plane.

7 Specifications

7.1 Absolute Maximum Ratings

over the operating ambient temperature range (unless otherwise noted)⁽¹⁾

		MIN	MAX	UNIT
Supply voltage	AVDD to AVSS	-0.3	3.9	V
	BSTVDD ⁽²⁾ to VSS (thermal pad)	-0.3	3.9	
	IOVDD to VSS (thermal pad)	-0.3	3.9	
	HVDD ⁽³⁾ to VSS (thermal pad)	-0.3	14	
Ground voltage differences	AVSS to VSS (thermal pad)	-0.3	0.3	V
Battery voltage	VBAT_IN to AVSS	-0.3	18	V
Analog input voltage	Analog input pins voltage to AVSS	-0.3	18	V
Digital input voltage	Digital input pins voltage to VSS (thermal pad)	-0.3	IOVDD + 0.3	V
Temperature	Operating ambient, T _A	-40	125	°C
	Junction, T _J	-40	150	
	Storage, T _{stg}	-65	150	

(1) Stresses beyond those listed under *Absolute Maximum Ratings* may cause permanent damage to the device. These are stress ratings only, which do not imply functional operation of the device at these or any other conditions beyond those indicated under *Recommended Operating Conditions*. Exposure to absolute-maximum-rated conditions for extended periods may affect device reliability.

(2) BSTVDD supply is required only for PCM62x0-Q1

(3) HVDD supply is required only for PCM63x0-Q1.

7.2 ESD Ratings

			VALUE	UNIT	
V _(ESD)	Electrostatic discharge	Human-body model (HBM), per AEC Q100-002 ⁽¹⁾	±2000	V	
		Charged-device model (CDM), per AEC Q100-011	Corner package pins		±750
			All other non-corner package pins		±500

(1) AEC Q100-002 indicates that HBM stressing shall be in accordance with the ANSI/ESDA/JEDEC JS-001 specification.

7.3 Recommended Operating Conditions

		MIN	NOM	MAX	UNIT
POWER					
AVDD ⁽¹⁾	Analog supply voltage to AVSS	3.0	3.3	3.6	V
BSTVDD ⁽²⁾	Boost converter supply voltage to VSS (thermal pad)	3.0	3.3	3.6	V
IOVDD	IO supply voltage to VSS (thermal pad) - IOVDD 3.3-V operation	3.0	3.3	3.6	V
	IO supply voltage to VSS (thermal pad) - IOVDD 1.8-V operation	1.65	1.8	1.95	
HVDD ⁽³⁾	MICBIAS LDO supply voltage to VSS (thermal pad)	5.6	11	12	V
INPUTS					
VBAT_IN	VBAT_IN input pin voltage to AVSS	0	12.6	18	V
INxx	Analog input pins voltage to AVSS for line-in recording	0		14.2	V
	Analog input pins voltage to AVSS for microphone recording	0.1		MICBIAS - 0.1	V
	Analog input pins voltage to AVSS during short to VBAT_IN			VBAT_IN	V
	Digital input pins voltage to VSS (thermal pad)	0		IOVDD	V
TEMPERATURE					
T _A	Operating ambient temperature	-40		125	°C

(1) AVSS and VSS (thermal pad); all ground pins must be tied together and must not differ in voltage by more than 0.2 V.

(2) BSTVDD is required only for the PCM62x0-Q1.

(3) HVDD is required only for the PCM63x0-Q1 and the minimum voltage must be 0.6 V higher than the programmed MICBIAS value.

Recommended Operating Conditions (continued)

		MIN	NOM	MAX	UNIT
OTHERS					
	GPIOx or GPIx (used as MCLK input) clock frequency			36.864	MHz
C _b	SCL and SDA bus capacitance for I ² C interface supports standard-mode and fast-mode			400	pF
	SCL and SDA bus capacitance for I ² C interface supports fast-mode plus			550	
C _L	Digital output load capacitance		20	50	pF
	Boost converter inductor for 6MHz clocking mode (recommended inductor CIGW201610GL2R2MLE)		2.2		μH

7.4 Thermal Information

THERMAL METRIC ⁽¹⁾		PCM6xx0-Q1	UNIT
		RTV (WQFN)	
		32 PINS	
R _{θJA}	Junction-to-ambient thermal resistance	30.1	°C/W
R _{θJC(top)}	Junction-to-case (top) thermal resistance	17.0	°C/W
R _{θJB}	Junction-to-board thermal resistance	11.0	°C/W
ψ _{JT}	Junction-to-top characterization parameter	0.2	°C/W
ψ _{JB}	Junction-to-board characterization parameter	10.9	°C/W
R _{θJC(bot)}	Junction-to-case (bottom) thermal resistance	1.8	°C/W

(1) For more information about traditional and new thermal metrics, see the [Semiconductor and IC Package Thermal Metrics](#) application report.

7.5 Electrical Characteristics

at T_A = 25°C, AVDD = 3.3 V, IOVDD = 3.3 V, BSTVDD = 3.3 V, HVDD = 11 V (for the PCM63x0-Q1), f_{IN} = 1-kHz sinusoidal signal, f_S = 48 kHz, 32-bit audio data, BCLK = 256 × f_S, TDM slave mode and PLL on (unless otherwise noted)

PARAMETER	TEST CONDITIONS	MIN	NOM	MAX	UNIT
ADC PERFORMANCE FOR LINE INPUT RECORDING					
	Differential input full-scale AC signal voltage	AC-coupled input, input fault diagnostic not supported	10		V _{RMS}
		DC-coupled input, DC common-mode voltage INxP = INxM = 7.1 V, input fault diagnostic not supported			
	Single-ended input full-scale AC signal voltage	AC-coupled input, input fault diagnostic not supported	5		V _{RMS}
		DC-coupled input, DC common-mode voltage INxP = INxM = 7.1 V, input fault diagnostic not supported			
SNR	Signal-to-noise ratio, A-weighted ⁽¹⁾⁽²⁾	IN1 differential AC-coupled input selected and AC signal shorted to ground, 0-dB channel gain	TBD	109	dB
		IN1 differential DC-coupled input selected and AC signal shorted to ground, 0-dB channel gain		109	
		IN1 differential DC-coupled input selected and AC signal shorted to ground, 12-dB channel gain		101	
DR	Dynamic range, A-weighted ⁽²⁾	IN1 differential AC-coupled input selected and –60-dB full-scale AC signal input, 0-dB channel gain		110	dB
		IN1 differential DC-coupled input selected and –60-dB full-scale AC signal input, 0-dB channel gain		109	
		IN1 differential DC-coupled input selected and –72-dB full-scale AC signal input, 12-dB channel gain		101	
THD+N	Total harmonic distortion ⁽²⁾	IN1 differential AC-coupled input selected and –1-dB full-scale AC signal input, 0-dB channel gain		–94	TBD
		IN1 differential DC-coupled input selected and –1-dB full-scale AC signal input, 0-dB channel gain		–94	dB
		IN1 differential DC-coupled input selected and –13-dB full-scale AC signal input, 12-dB channel gain		–92	

- Ratio of output level with 1-kHz full-scale sine-wave input, to the output level with the AC signal input shorted to ground, measured A-weighted over a 20-Hz to 20-kHz bandwidth using an audio analyzer.
- All performance measurements done with 20-kHz low-pass filter and, where noted, A-weighted filter. Failure to use such a filter can result in higher THD and lower SNR and dynamic range readings than shown in the Electrical Characteristics. The low-pass filter removes out-of-band noise, which, although not audible, can affect dynamic specification values.

Electrical Characteristics (continued)

at $T_A = 25^\circ\text{C}$, $AVDD = 3.3\text{ V}$, $IOVDD = 3.3\text{ V}$, $BSTVDD = 3.3\text{ V}$, $HVDD = 11\text{ V}$ (for the PCM63x0-Q1), $f_{IN} = 1\text{-kHz}$ sinusoidal signal, $f_S = 48\text{ kHz}$, 32-bit audio data, $BCLK = 256 \times f_S$, TDM slave mode and PLL on (unless otherwise noted)

PARAMETER	TEST CONDITIONS	MIN	NOM	MAX	UNIT	
	Channel gain control range	Programmable 1-dB steps		0	42	dB
ADC PERFORMANCE FOR MICROPHONE INPUT RECORDING						
	Differential input full-scale AC signal voltage ⁽³⁾	AC-coupled input, input fault diagnostic not supported. CHx_MIC_RANGE register bit is set to high. DC-coupled input, DC differential common-mode voltage $INxP - INxM > 3.4\text{ V}$, DC common-mode voltage $INxP < (\text{MICBIAS} - 1.7\text{ V})$ and DC common-mode voltage $INxM > 1.7\text{ V}$. CHx_MIC_RANGE register bit is set to high to support AC differential signal max swing $> 2 V_{RMS}$ ⁽⁴⁾ .		10		V_{RMS}
SNR	Signal-to-noise ratio, A-weighted ⁽¹⁾⁽²⁾	IN1 differential AC-coupled input selected and AC signal shorted to ground, 0-dB channel gain		109		dB
		IN1 differential DC-coupled input selected and AC-signal shorted to ground, DC differential common-mode voltage $IN1P - IN1M < 5.0\text{ V}$, 0-dB channel gain		TBD	109	
DR	Dynamic range, A-weighted ⁽²⁾	IN1 differential AC-coupled input selected and -60-dB full-scale AC signal input, 0-dB channel gain		110		dB
		IN1 differential DC-coupled input selected and -60-dB full-scale AC signal input, DC differential common-mode voltage $IN1P - IN1M < 5.0\text{ V}$, 0-dB channel gain		109		
THD+N	Total harmonic distortion ⁽²⁾	IN1 differential AC-coupled input selected and -1-dB full-scale AC signal input, 0-dB channel gain		-94		dB
		IN1 differential DC-coupled input selected and -15-dB full-scale AC signal input, 0-dB channel gain		-90	TBD	
	Channel gain control range	Programmable 1-dB steps		0	42	dB
ADC OTHER PARAMETERS						
	Input impedance	Differential input, between $INxP$ and $INxM$		50		$k\Omega$
		Single-ended input, between $INxP$ and $INxM$		25		
	Digital volume control range	Programmable 0.5-dB steps		-100	27	dB
	Output data sample rate	Programmable		7.35	768	kHz
	Output data sample word length	Programmable		16	32	Bits
	Digital high-pass filter cutoff frequency	First-order IIR filter with programmable coefficients, -3-dB point (default setting)		12		Hz
	Interchannel isolation	-1-dB full-scale AC signal line-in input to non measurement channel		-132		dB
	Interchannel gain mismatch	-6-dB full-scale AC signal line-in input, 0-dB channel gain		0.1		dB
	Interchannel phase mismatch	1-kHz sinusoidal signal		0.02		Degrees
PSRR	Power-supply rejection ratio	100-mV _{PP} , 1-kHz sinusoidal signal on AVDD, differential input selected, 0-dB channel gain		89		dB
CMRR	Common-mode rejection ratio	Differential microphone input selected, 0-dB channel gain, $1 \cdot V_{RMS}$ AC input, 1-kHz signal on both pins and measure level at output		80		dB
MICROPHONE BIAS						
	MICBIAS noise	BW = 20 Hz to 20 kHz, A-weighted, 1- μF capacitor between MICBIAS and AVSS		8		μV_{RMS}
	MICBIAS voltage	Programmable 0.5-V steps		5	9	V
	MICBIAS current drive	MICBIAS voltage 9 V		80		mA
	MICBIAS load regulation	MICBIAS voltage 9 V, measured up to maximum load		0	1	%

- (3) Microphone inputs support a $2 V_{RMS}$ differential input full-scale AC signal voltage, if the CHx_MIC_RANGE register bit is set to low (default value). However, if the input DC common-mode differential voltage is higher than 4 V, then TI recommends setting the CHx_MIC_RANGE register bit high to avoid any saturation resulting from the high input DC common-mode differential voltage.
- (4) If the CHx_MIC_RANGE register bit is set to high (default value is low) in DC-coupled input configuration mode, then the input differential DC common-mode along with input differential AC signal must be less than $10 V_{RMS}$ for differential input configuration mode. Similarly, for single-ended input configuration mode, the input DC common-mode voltage along with the input AC signal must be less than $5 V_{RMS}$.

Electrical Characteristics (continued)

at $T_A = 25^\circ\text{C}$, $AVDD = 3.3\text{ V}$, $IOVDD = 3.3\text{ V}$, $BSTVDD = 3.3\text{ V}$, $HVDD = 11\text{ V}$ (for the PCM63x0-Q1), $f_{IN} = 1\text{-kHz}$ sinusoidal signal, $f_S = 48\text{ kHz}$, 32-bit audio data, $BCLK = 256 \times f_S$, TDM slave mode and PLL on (unless otherwise noted)

PARAMETER		TEST CONDITIONS	MIN	NOM	MAX	UNIT
	MICBIAS over current protection threshold		85			mA
INPUT DIAGNOSTICS						
	Fault monitoring repetition rate	Programmable, DC-coupled input	1	4	8	ms
	Fault response time	Fault monitoring repetition rate 4-ms, DC-coupled input		16		ms
	Threshold voltage for (INxx – AVSS) input shorted to ground	Programmable 60-mV steps, DC-coupled input	0		900	mV
	Threshold voltage for (INxP – INxM) input shorted together	Programmable 30-mV steps, DC-coupled input	0		450	mV
	Threshold voltage for (MICBIAS – INxx) input shorted to MICBIAS	Programmable 30-mV steps, DC-coupled input	0		450	mV
	Threshold voltage for (VBAT – INxx) input shorted to VBAT_IN	Programmable 30-mV steps, DC-coupled input	0		450	mV
DIGITAL I/O						
V_{IL}	Low-level digital input logic voltage threshold	All digital pins except SDA and SCL, IOVDD 1.8-V operation	–0.3		$0.35 \times \text{IOVDD}$	V
		All digital pins except SDA and SCL, IOVDD 3.3-V operation	–0.3		0.8	
V_{IH}	High-level digital input logic voltage threshold	All digital pins except SDA and SCL, IOVDD 1.8-V operation	$0.65 \times \text{IOVDD}$		$\text{IOVDD} + 0.3$	V
		All digital pins except SDA and SCL, IOVDD 3.3-V operation	2		$\text{IOVDD} + 0.3$	
V_{OL}	Low-level digital output voltage	All digital pins except SDA and SCL, $I_{OL} = -2\text{ mA}$, IOVDD 1.8-V operation			0.45	V
		All digital pins except SDA and SCL, $I_{OL} = -2\text{ mA}$, IOVDD 3.3-V operation			0.4	
V_{OH}	High-level digital output voltage	All digital pins except SDA and SCL, $I_{OH} = 2\text{ mA}$, IOVDD 1.8-V operation	$\text{IOVDD} - 0.45$			V
		All digital pins except SDA and SCL, $I_{OH} = 2\text{ mA}$, IOVDD 3.3-V operation	2.4			
$V_{IL(I2C)}$	Low-level digital input logic voltage threshold	SDA and SCL	–0.5		$0.3 \times \text{IOVDD}$	V
$V_{IH(I2C)}$	High-level digital input logic voltage threshold	SDA and SCL	$0.7 \times \text{IOVDD}$		$\text{IOVDD} + 0.5$	V
$V_{OL1(I2C)}$	Low-level digital output voltage	SDA, $I_{OL(I2C)} = -3\text{ mA}$, $\text{IOVDD} > 2\text{ V}$			0.4	V
$V_{OL2(I2C)}$	Low-level digital output voltage	SDA, $I_{OL(I2C)} = -2\text{ mA}$, $\text{IOVDD} \leq 2\text{ V}$			$0.2 \times \text{IOVDD}$	V
$I_{OL(I2C)}$	Low-level digital output current	SDA, $V_{OL(I2C)} = 0.4\text{ V}$, standard-mode or fast-mode	3			mA
		SDA, $V_{OL(I2C)} = 0.4\text{ V}$, fast-mode plus	20			
I_{IL}	Input logic-low leakage for digital inputs	All digital pins, input = 0 V	–5	0.1	5	μA
I_{IH}	Input logic-high leakage for digital inputs	All digital pins, input = IOVDD	–5	0.1	5	μA
C_{IN}	Input capacitance for digital inputs	All digital pins		5		pF
R_{PD}	Pulldown resistance for digital I/O pins when asserted on			20		k Ω
TYPICAL SUPPLY CURRENT CONSUMPTION						
I_{AVDD}	Current consumption in hardware shutdown mode	SHDNZ = 0, all device external clocks stopped		1		μA
I_{BSTVDD} , or I_{HVDD}				0.1		
I_{IOVDD}				0.1		

Electrical Characteristics (continued)

 at $T_A = 25^\circ\text{C}$, $AVDD = 3.3\text{ V}$, $IOVDD = 3.3\text{ V}$, $BSTVDD = 3.3\text{ V}$, $HVDD = 11\text{ V}$ (for the PCM63x0-Q1), $f_{IN} = 1\text{-kHz}$ sinusoidal signal, $f_s = 48\text{ kHz}$, 32-bit audio data, $BCLK = 256 \times f_s$, TDM slave mode and PLL on (unless otherwise noted)

PARAMETER		TEST CONDITIONS	MIN	NOM	MAX	UNIT
I_{AVDD}	Current consumption in sleep mode (software shutdown mode)	All device external clocks stopped		10		μA
I_{BSTVDD} , or I_{HVDD}				0.1		
I_{IOVDD}				0.1		
I_{AVDD}	Current consumption when MICBIAS ON, MICBIAS voltage 9 V, 40 mA load, ADC off	$f_s = 48\text{ kHz}$, $BCLK = 256 \times f_s$		1.4		mA
I_{BSTVDD}				164.3		
I_{HVDD}				41.1		
I_{IOVDD}				0.01		
I_{AVDD}	Current consumption with ADC 2-channel operation at f_s 16-kHz, MICBIAS off, PLL on, $BCLK = 512 \times f_s$			13.5		mA
I_{BSTVDD} , or I_{HVDD}				0		
I_{IOVDD}				0.2		
I_{AVDD}	Current consumption with ADC 2-channel operation at f_s 48-kHz, MICBIAS off, PLL off, $BCLK = 512 \times f_s$			13.5		mA
I_{BSTVDD} , or I_{HVDD}				0		
I_{IOVDD}				0.4		
I_{AVDD}	Current consumption with ADC 4-channel operation at f_s 48-kHz, MICBIAS off, PLL on, $BCLK = 256 \times f_s$			26		mA
I_{BSTVDD} , or I_{HVDD}				0		
I_{IOVDD}				0.6		
I_{AVDD}	Current consumption with ADC 6-channel operation at f_s 48 kHz, MICBIAS off, PLL on, $BCLK = 256 \times f_s$, (PCM6x60-Q1)			35		mA
I_{BSTVDD} , or I_{HVDD}				0		
I_{IOVDD}				0.8		

7.6 Timing Requirements: I²C Interface

 at T_A = 25°C, IOVDD = 3.3 V or 1.8 V (unless otherwise noted); see [Figure 1](#) for timing diagram

		MIN	NOM	MAX	UNIT
STANDARD-MODE					
f _{SCL}	SCL clock frequency	0		100	kHz
t _{HD;STA}	Hold time (repeated) START condition. After this period, the first clock pulse is generated.	4			μs
t _{LOW}	Low period of the SCL clock	4.7			μs
t _{HIGH}	High period of the SCL clock	4			μs
t _{SU;STA}	Setup time for a repeated START condition	4.7			μs
t _{HD;DAT}	Data hold time	0		3.45	μs
t _{SU;DAT}	Data setup time	250			ns
t _r	SDA and SCL rise time			1000	ns
t _f	SDA and SCL fall time			300	ns
t _{SU;STO}	Setup time for STOP condition	4			μs
t _{BUF}	Bus free time between a STOP and START condition	4.7			μs
FAST-MODE					
f _{SCL}	SCL clock frequency	0		400	kHz
t _{HD;STA}	Hold time (repeated) START condition. After this period, the first clock pulse is generated.	0.6			μs
t _{LOW}	Low period of the SCL clock	1.3			μs
t _{HIGH}	High period of the SCL clock	0.6			μs
t _{SU;STA}	Setup time for a repeated START condition	0.6			μs
t _{HD;DAT}	Data hold time	0		0.9	μs
t _{SU;DAT}	Data setup time	100			ns
t _r	SDA and SCL rise time	20		300	ns
t _f	SDA and SCL fall time		20 × (IOVDD / 5.5 V)	300	ns
t _{SU;STO}	Setup time for STOP condition	0.6			μs
t _{BUF}	Bus free time between a STOP and START condition	1.3			μs
FAST-MODE PLUS					
f _{SCL}	SCL clock frequency	0		1000	kHz
t _{HD;STA}	Hold time (repeated) START condition. After this period, the first clock pulse is generated.	0.26			μs
t _{LOW}	Low period of the SCL clock	0.5			μs
t _{HIGH}	High period of the SCL clock	0.26			μs
t _{SU;STA}	Setup time for a repeated START condition	0.26			μs
t _{HD;DAT}	Data hold time	0			μs
t _{SU;DAT}	Data setup time	50			ns
t _r	SDA and SCL Rise Time			120	ns
t _f	SDA and SCL Fall Time		20 × (IOVDD / 5.5 V)	120	ns
t _{SU;STO}	Setup time for STOP condition	0.26			μs
t _{BUF}	Bus free time between a STOP and START condition	0.5			μs

ADVANCE INFORMATION

7.7 Switching Characteristics: I²C Interface

 at T_A = 25°C, IOVDD = 3.3 V or 1.8 V (unless otherwise noted); see [Figure 1](#) for timing diagram

PARAMETER	TEST CONDITIONS	MIN	TYP	MAX	UNIT
t _d (SDA)	Standard-mode	300		1250	ns
	Fast-mode	300		850	ns
	Fast-mode plus			400	ns

7.8 Timing Requirements: SPI Interface

at $T_A = 25^\circ\text{C}$, IOVDD = 3.3 V or 1.8 V and 20-pF load on all outputs (unless otherwise noted); see Figure 2 for timing diagram

		MIN	NOM	MAX	UNIT
$t_{(SCLK)}$	SCLK period	40			ns
$t_{H(SCLK)}$	SCLK high pulse duration	18			ns
$t_{L(SCLK)}$	SCLK low pulse duration	18			ns
t_{LEAD}	Enable lead time	16			ns
t_{TRAIL}	Enable trail time	16			ns
t_{DSEQ}	Sequential transfer delay	20			ns
$t_{SU(MOSI)}$	MOSI data setup time	8			ns
$t_{HLD(MOSI)}$	MOSI data hold time	8			ns
$t_{r(SCLK)}$	SCLK rise time	10% - 90% rise time		6	ns
$t_{f(SCLK)}$	SCLK fall time	90% - 10% fall time		6	ns

7.9 Switching Characteristics: SPI Interface

at $T_A = 25^\circ\text{C}$, IOVDD = 3.3 V or 1.8 V and 20-pF load on all outputs (unless otherwise noted); see Figure 2 for timing diagram

PARAMETER	TEST CONDITIONS	MIN	TYP	MAX	UNIT
$t_a(\text{MISO})$	MISO access time			21	ns
$t_d(\text{MISO})$	SCLK to MISO delay	50% of SCLK to 50% of MISO		21	ns
$t_{dis}(\text{MISO})$	MISO disable time			21	ns

7.10 Timing Requirements: TDM, I²S or LJ Interface

at $T_A = 25^\circ\text{C}$, IOVDD = 3.3 V or 1.8 V and 20-pF load on all outputs (unless otherwise noted); see Figure 3 for timing diagram

		MIN	NOM	MAX	UNIT
$t_{(BCLK)}$	BCLK period	40			ns
$t_{H(BCLK)}$	BCLK high pulse duration ⁽¹⁾	18			ns
$t_{L(BCLK)}$	BCLK low pulse duration ⁽¹⁾	18			ns
$t_{SU(FSYNC)}$	FSYNC setup time	8			ns
$t_{HLD(FSYNC)}$	FSYNC hold time	8			ns
$t_{r(BCLK)}$	BCLK rise time	10% - 90% rise time		10	ns
$t_{f(BCLK)}$	BCLK fall time	90% - 10% fall time		10	ns

(1) The BCLK minimum high or low pulse duration must be higher than 25 ns (to meet the timing specifications), if the SDOUT data line is latched on the opposite BCLK edge polarity than the edge used by the device to transmit SDOUT data.

7.11 Switching Characteristics: TDM, I²S or LJ Interface

at $T_A = 25^\circ\text{C}$, IOVDD = 3.3 V or 1.8 V and 20-pF load on all outputs (unless otherwise noted); see Figure 3 for timing diagram

PARAMETER	TEST CONDITIONS	MIN	TYP	MAX	UNIT
$t_d(\text{SDOUT-BCLK})$	BCLK to SDOUT delay	50% of BCLK to 50% of SDOUT		21	ns
$t_d(\text{SDOUT-FSYNC})$	FSYNC to SDOUT delay in TDM or LJ mode (for MSB data with TX_OFFSET = 0)	50% of FSYNC to 50% of SDOUT		21	ns
$f_{(BCLK)}$	BCLK output clock frequency; master mode ⁽¹⁾			24.576	MHz
$t_{H(BCLK)}$	BCLK high pulse duration; master mode	14			ns
$t_{L(BCLK)}$	BCLK low pulse duration; master mode	14			ns
$t_d(\text{FSYNC})$	BCLK to FSYNC delay; master mode	50% of BCLK to 50% of FSYNC		21	ns
$t_{r(BCLK)}$	BCLK rise time; master mode	10% - 90% rise time		8	ns
$t_{f(BCLK)}$	BCLK fall time; master mode	90% - 10% fall time		8	ns

(1) The BCLK output clock frequency must be lower than 18.5 MHz (to meet the timing specifications), if the SDOUT data line is latched on the opposite BCLK edge polarity than the edge used by the device to transmit SDOUT data.

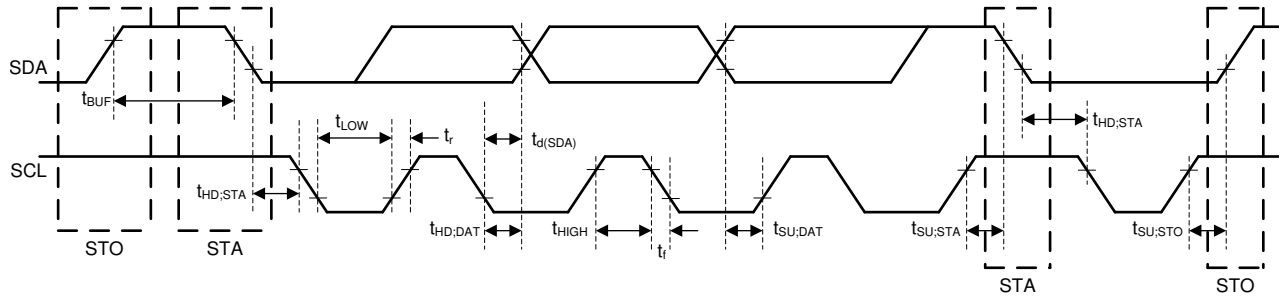


图 1. I²C Interface Timing Diagram

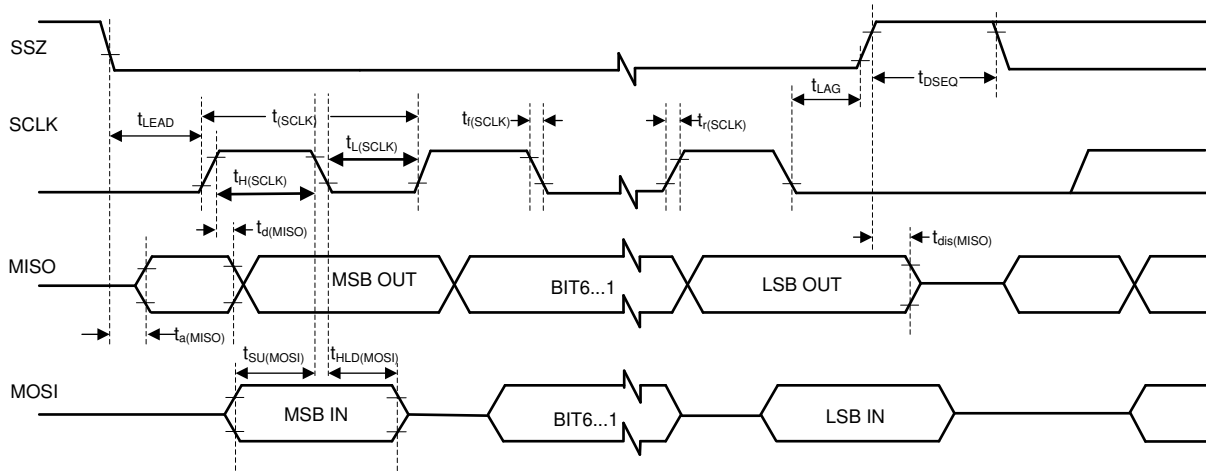


图 2. SPI Interface Timing Diagram

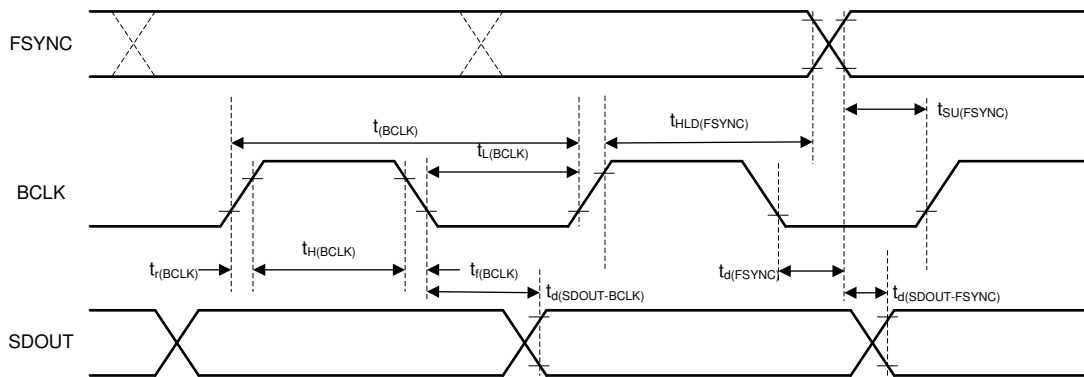
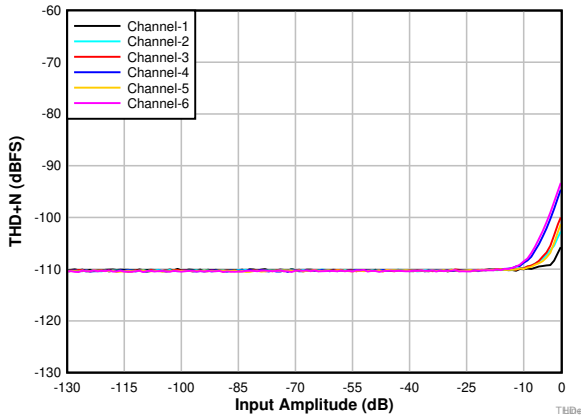


图 3. TDM/I²S/LJ Interface Timing Diagram

ADVANCE INFORMATION

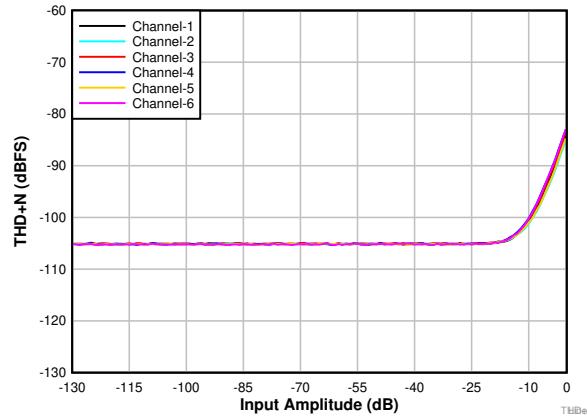
7.12 Typical Characteristics

at $T_A = 25^\circ\text{C}$, $AVDD = 3.3\text{ V}$, $IOVDD = 3.3\text{ V}$, $BSTVDD = 3.3\text{ V}$, $HVDD = 11\text{ V}$ (for the PCM63xQ1), $f_{IN} = 1\text{-kHz}$ sinusoidal signal, $f_S = 48\text{ kHz}$, 32-bit audio data, $BCLK = 256 \times f_S$, TDM slave mode, PLL on, channel gain = 0 dB, linear phase decimation filter, and MICBIAS programmed voltage = 8 V (unless otherwise noted); all performance measurements are done with a 20-kHz, low-pass filter and an A-weighted filter



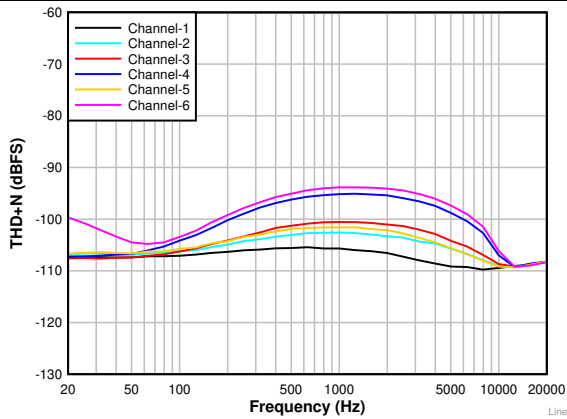
AC-coupled differential line input

图 4. THD+N vs Input Amplitude



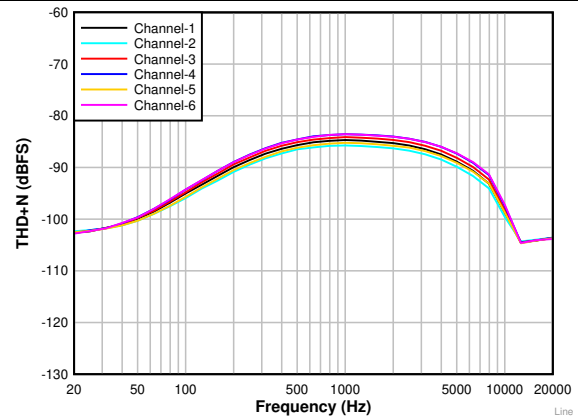
AC-coupled single-ended line input

图 5. THD+N vs Input Amplitude



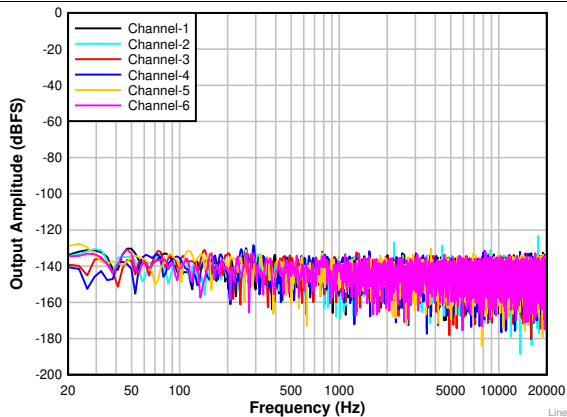
AC-coupled differential line input

图 6. THD+N vs Input Frequency With a -1-dBr Input



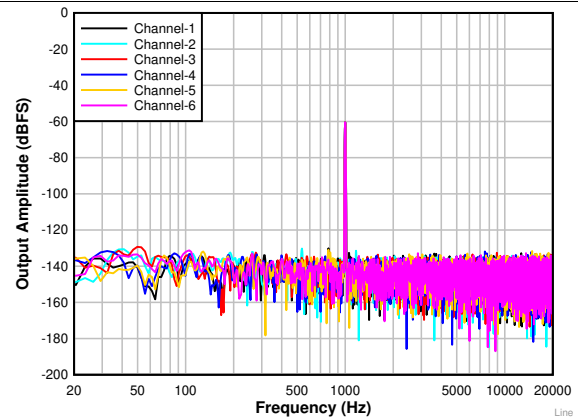
AC-coupled single-ended line input

图 7. THD+N vs Input Frequency With a -1-dBr Input



AC-coupled differential line input

图 8. FFT With Idle Input



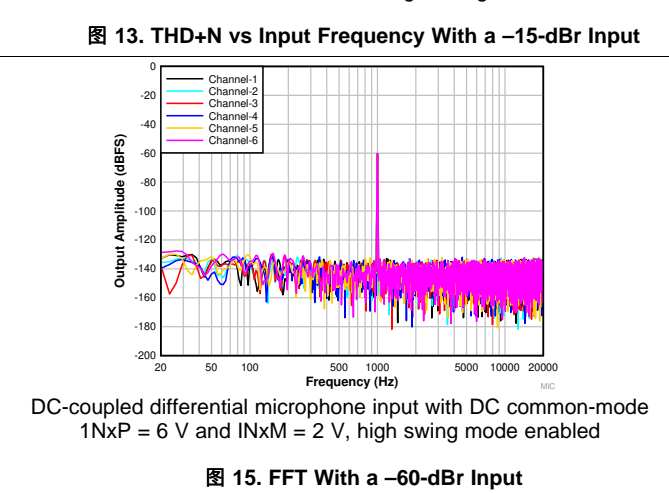
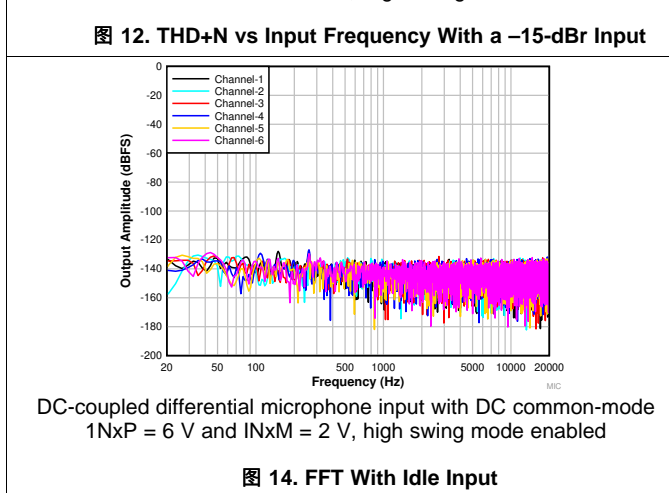
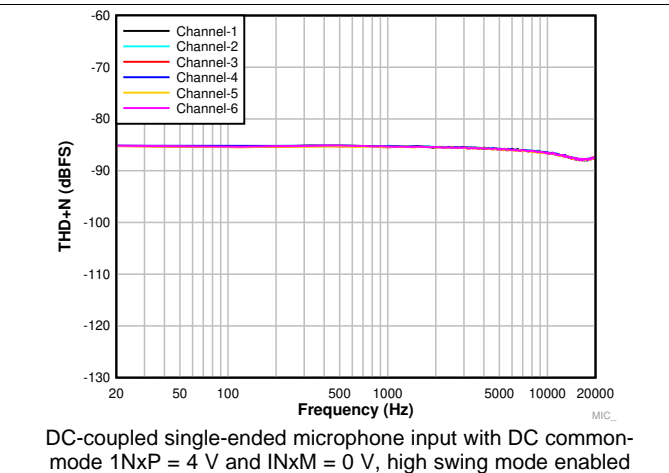
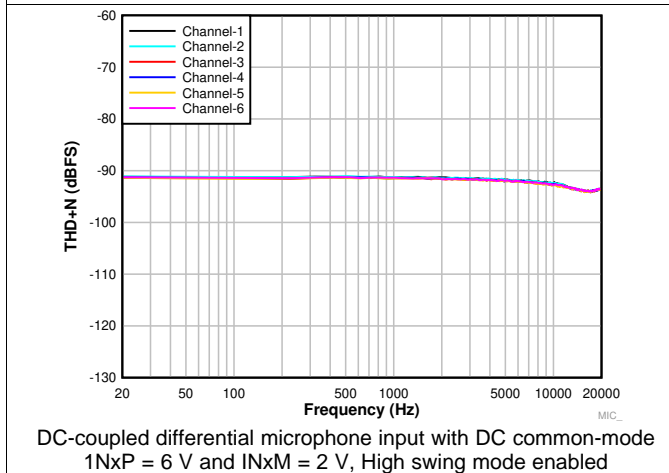
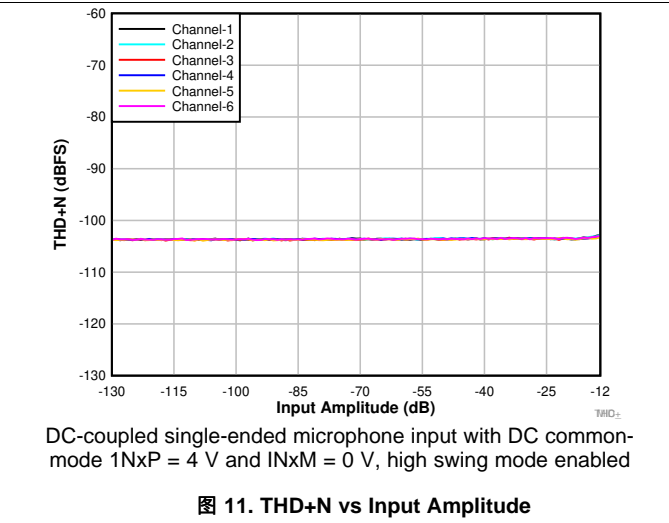
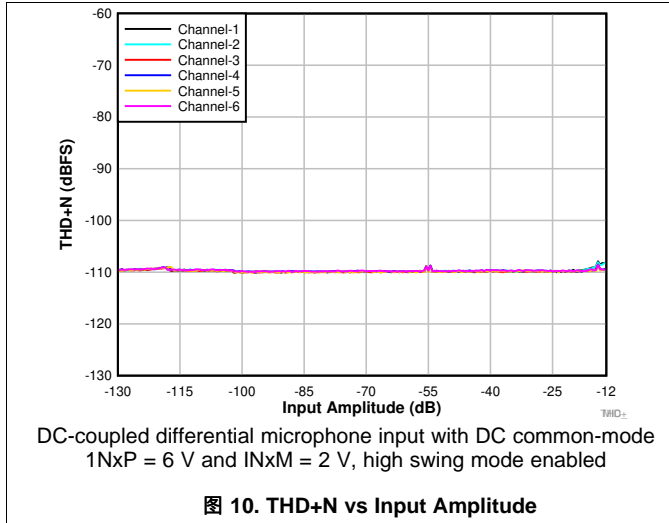
AC-coupled differential line input

图 9. FFT With a -60-dBr Input

ADVANCE INFORMATION

Typical Characteristics (接下页)

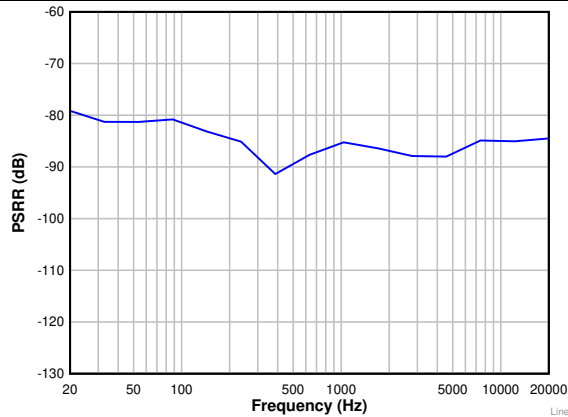
at $T_A = 25^\circ\text{C}$, $AVDD = 3.3\text{ V}$, $IOVDD = 3.3\text{ V}$, $BSTVDD = 3.3\text{ V}$, $HVDD = 11\text{ V}$ (for the PCM63xQ1), $f_{IN} = 1\text{-kHz}$ sinusoidal signal, $f_S = 48\text{ kHz}$, 32-bit audio data, $BCLK = 256 \times f_S$, TDM slave mode, PLL on, channel gain = 0 dB, linear phase decimation filter, and MICBIAS programmed voltage = 8 V (unless otherwise noted); all performance measurements are done with a 20-kHz, low-pass filter and an A-weighted filter



ADVANCE INFORMATION

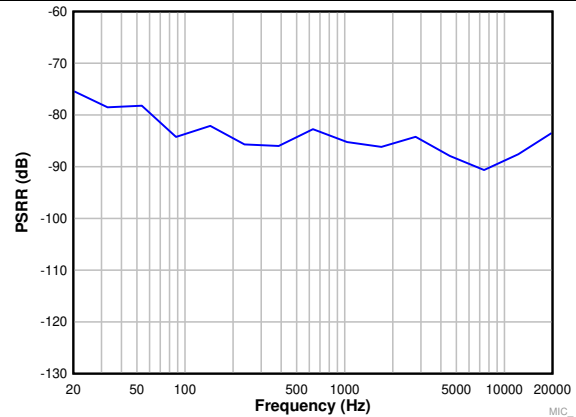
Typical Characteristics (接下页)

at $T_A = 25^\circ\text{C}$, $AVDD = 3.3\text{ V}$, $IOVDD = 3.3\text{ V}$, $BSTVDD = 3.3\text{ V}$, $HVDD = 11\text{ V}$ (for the PCM63xQ1), $f_{IN} = 1\text{-kHz}$ sinusoidal signal, $f_S = 48\text{ kHz}$, 32-bit audio data, $BCLK = 256 \times f_S$, TDM slave mode, PLL on, channel gain = 0 dB, linear phase decimation filter, and MICBIAS programmed voltage = 8 V (unless otherwise noted); all performance measurements are done with a 20-kHz, low-pass filter and an A-weighted filter



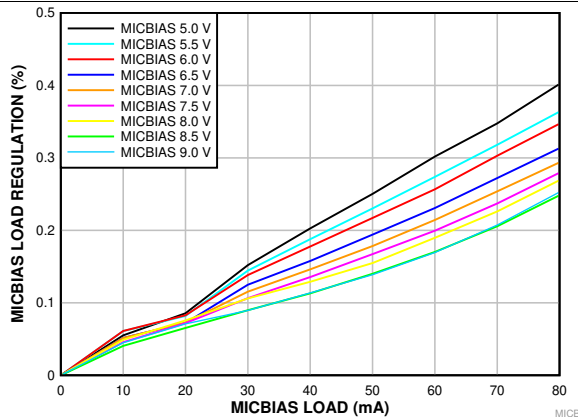
AC-coupled differential line input

图 16. Power-Supply Rejection Ratio vs Ripple Frequency With 1- V_{PP} Amplitude



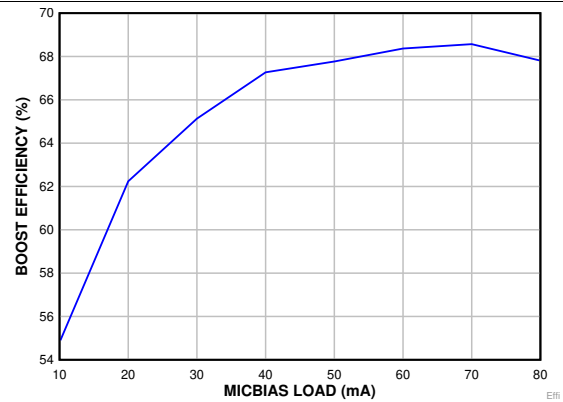
DC-coupled differential microphone input with DC common-mode $1N_{xP} = 6\text{ V}$ and $IN_{xM} = 2\text{ V}$, high swing mode enabled

图 17. Power-Supply Rejection Ratio vs Ripple Frequency With 1- V_{PP} Amplitude



DC-coupled differential microphone input

图 18. MICBIAS Load Regulation vs MICBIAS Load Current



DC-coupled differential microphone input with DC common-mode $1N_{xP} = 6\text{ V}$ and $IN_{xM} = 2\text{ V}$, high swing mode enabled

图 19. Boost Efficiency vs MICBIAS Load Current

ADVANCE INFORMATION

8 Detailed Description

8.1 Overview

The PCM6xx0-Q1 are a scalable family of devices that consist of high-performance, low-power, flexible, multichannel, audio analog-to-digital converters (ADCs) with extensive feature integration. These devices are intended for automotive applications such as vehicle cabin active noise cancellation, hands-free in-vehicle communication, emergency call, and multimedia applications. The high dynamic range of these devices enables far-field audio recording with high fidelity. These devices integrate a host of features that reduce cost, board space, and power consumption in space-constrained automotive sub-system designs. Package, performance, and device-compatible configuration registers make this family of devices well suited for scalable system designs.

The PCM6xx0-Q1 consist of the following blocks:

- Multichannel, multibit, high-performance delta-sigma ($\Delta\Sigma$) ADCs
- Configurable single-ended or differential audio inputs with high voltage signal swing
- High-voltage, low-noise programmable microphone bias output
- Highly flexible, comprehensive input fault diagnostic
- Automatic gain controller (AGC)
- Programmable decimation filters with linear-phase or low-latency filter
- Programmable channel gain, volume control, and biquad filters for each channel
- Programmable phase and gain calibration with fine resolution for each channel
- Programmable high-pass filter (HPF) and digital channel mixer
- Integrated low-jitter, phase-locked loop (PLL) supporting a wide range of system clocks
- Integrated digital and analog voltage regulators to support single-supply operation

Communication to the PCM6xx0-Q1 for configuring the control registers is supported using an I²C or SPI interface. The device supports a highly flexible audio serial interface [time-division multiplexing (TDM), I²S, or left-justified (LJ)] to transmit audio data seamlessly in the system across devices.

The device can support multiple devices by sharing the common I²C and TDM buses across devices. Moreover, the device includes a daisy-chain feature and a secondary audio serial output data pin. These features relax the shared TDM bus timing requirements and board design complexities when operating multiple devices for applications requiring high audio data bandwidth.

表 1 lists the reference abbreviations used throughout this document to registers that control the device.

表 1. Abbreviations for Register References

REFERENCE	ABBREVIATION	DESCRIPTION	EXAMPLE
Page y, register z, bit k	Py_Rz_Dk	Single data bit. The value of a single bit in a register.	Page 4, register 36, bit 0 = P4_R36_D0
Page y, register z, bits k-m	Py_Rz_D[k:m]	Range of data bits. A range of data bits (inclusive).	Page 4, register 36, bits 3-0 = P4_R36_D[3:0]
Page y, register z	Py_Rz	One entire register. All eight bits in the register as a unit.	Page 4, register 36 = P4_R36
Page y, registers z-n	Py_Rz-Rn	Range of registers. A range of registers in the same page.	Page 4, registers 36, 37, 38 = P4_R36-R38

8.2 Functional Block Diagrams

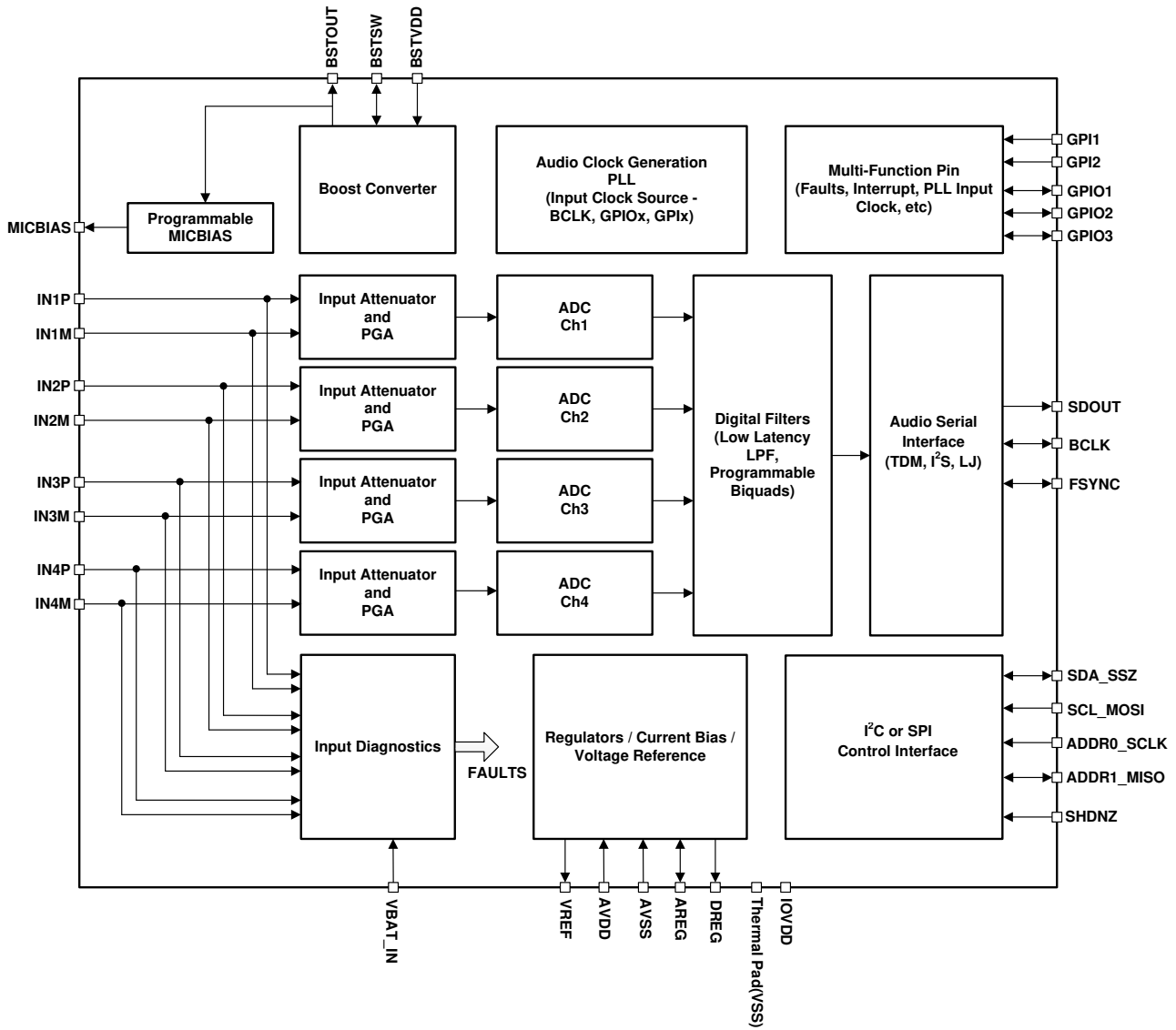
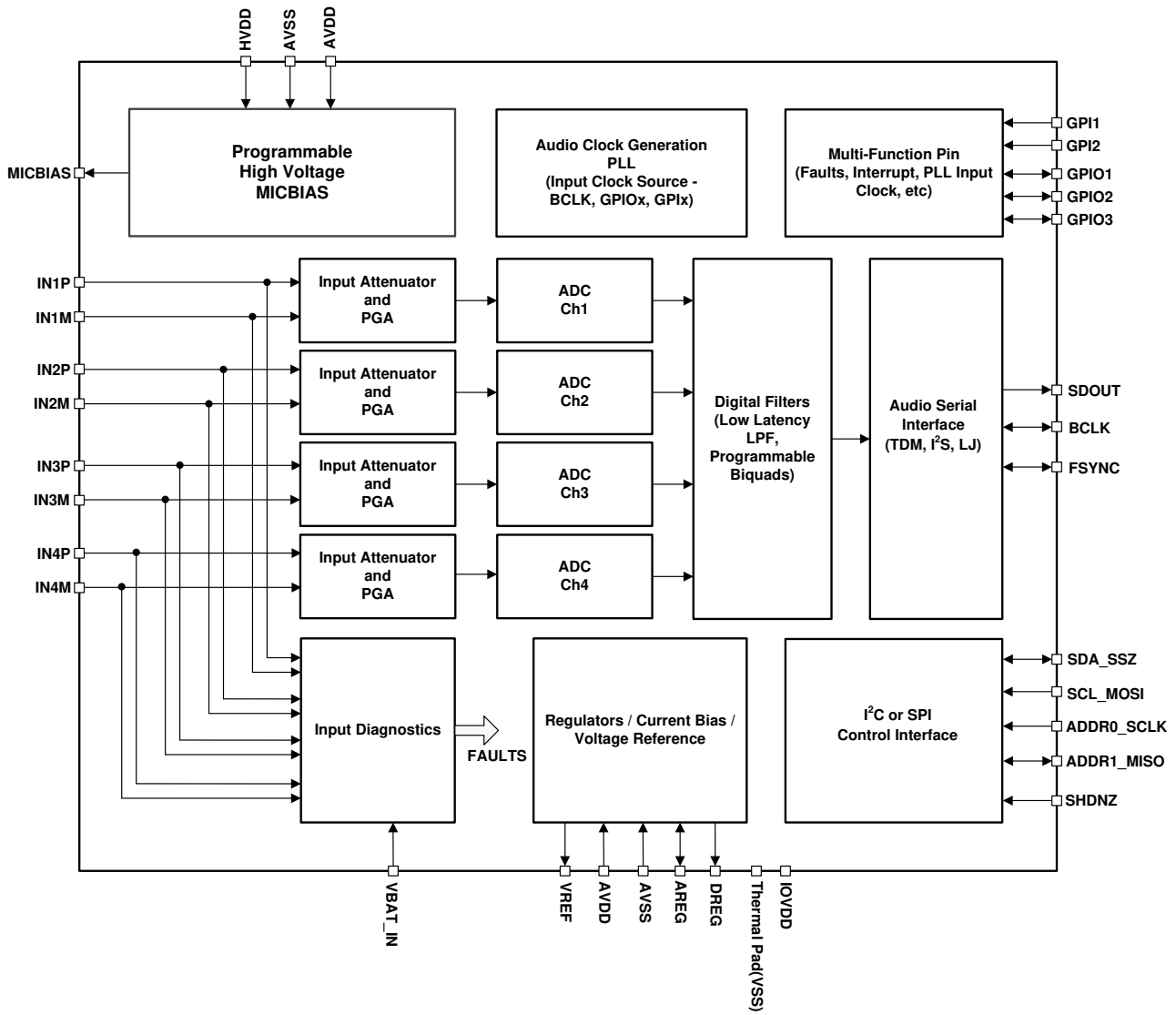


图 20. Simplified Device Functional Block Diagram for the PCM6240-Q1

Functional Block Diagrams (接下页)



ADVANCE INFORMATION

图 21. Simplified Device Functional Block Diagram for the PCM6340-Q1

Functional Block Diagrams (接下页)

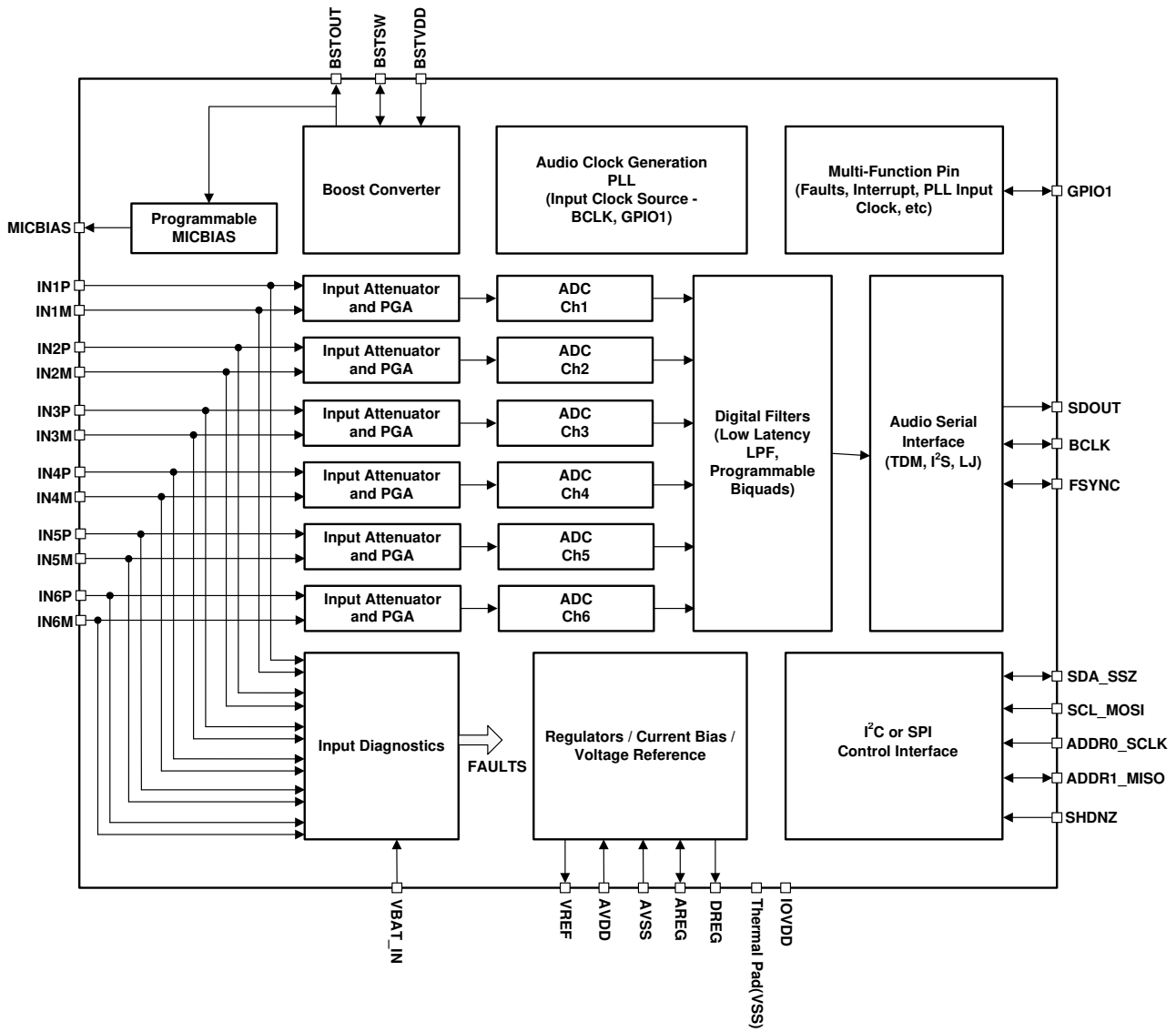
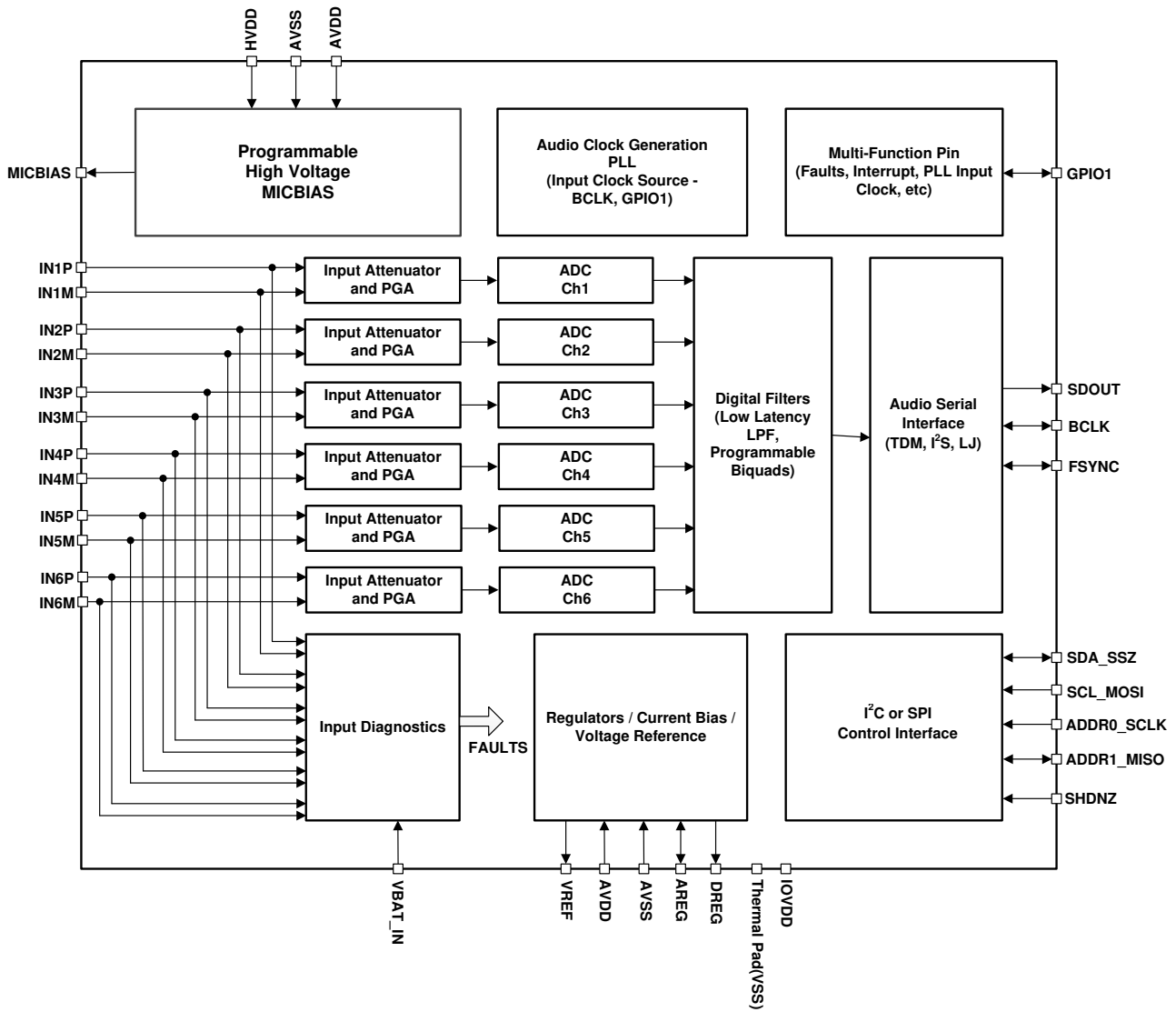


图 22. Simplified Device Functional Block Diagram for the PCM6260-Q1

ADVANCE INFORMATION

Functional Block Diagrams (接下页)



ADVANCE INFORMATION

图 23. Simplified Device Functional Block Diagram for the PCM6360-Q1

8.3 Feature Description

8.3.1 Serial Interfaces

This device has two serial interfaces: control and audio data. The control serial interface is used for device configuration. The audio data serial interface is used for transmitting audio data to the host device.

8.3.1.1 Control Serial Interfaces

The device contains configuration registers and programmable coefficients that can be set to the desired values for a specific system and application use. All these registers can be accessed using either I²C or SPI communication to the device. For more information, see the [Programming](#) section.

8.3.1.2 Audio Serial Interfaces

Digital audio data flows between the host processor and the PCM6xx0-Q1 on the digital audio serial interface (ASI), or audio bus. This highly flexible ASI bus includes a TDM mode for multichannel operation, support for I²S or left-justified protocols format, programmable data length options, very flexible master-slave configurability for bus clock lines, and the ability to communicate with multiple devices within a system directly.

The bus protocol TDM, I²S, or left-justified (LJ) format can be selected by using the ASI_FORMAT[1:0], P0_R7_D[7:6] register bits. As shown in [表 2](#) and [表 3](#), these modes are all most significant byte (MSB)-first, pulse code modulation (PCM) data format, with the output channel data word-length programmable as 16, 20, 24, or 32 bits by configuring the ASI_WLEN[1:0], P0_R7_D[5:4] register bits.

表 2. Audio Serial Interface Format

P0_R7_D[7:6] : ASI_FORMAT[1:0]	AUDIO SERIAL INTERFACE FORMAT
00 (default)	Time division multiplexing (TDM) mode
01	Inter IC sound (I ² S) mode
10	Left-justified (LJ) mode
11	Reserved (do not use this setting)

表 3. Audio Output Channel Data Word-Length

P0_R7_D[5:4] : ASI_WLEN[1:0]	AUDIO OUTPUT CHANNEL DATA WORD-LENGTH
00	Output channel data word-length set to 16 bits
01	Output channel data word-length set to 20 bits
10	Output channel data word-length set to 24 bits
11 (default)	Output channel data word-length set to 32 bits

The frame sync pin, FSYNC, is used in this audio bus protocol to define the beginning of a frame and has the same frequency as the output data sample rates. The bit clock pin, BCLK, is used to clock out the digital audio data across the serial bus. The number of bit clock cycles in a frame must accommodate multiple device active output channels with the programmed data word length.

A frame consists of multiple time-division channel slots (up to 64) to allow all output channel audio data transmissions to complete on the audio bus by a device or multiple PCM6xx0-Q1 devices sharing the same audio bus. The device supports up to eight output channels that can be configured to place their audio data on bus slot 0 to slot 63. 表 4 lists the output channel slot configuration settings. In I²S and LJ mode, the slots are divided into two sets, left-channel slots and right-channel slots, as described in the *Inter IC Sound (I²S) Interface* and *Left-Justified (LJ) Interface* sections.

表 4. Output Channel Slot Assignment Settings

P0_R11_D[5:0] : CH1_SLOT[5:0]	OUTPUT CHANNEL 1 SLOT ASSIGNMENT
00 0000 = 0d (default)	Slot 0 for TDM or left slot 0 for I ² S, LJ.
00 0001 = 1d	Slot 1 for TDM or left slot 1 for I ² S, LJ.
...	...
01 1111 = 31d	Slot 31 for TDM or left slot 31 for I ² S, LJ.
10 0000 = 32d	Slot 32 for TDM or right slot 0 for I ² S, LJ.
...	...
11 1110 = 62d	Slot 62 for TDM or right slot 30 for I ² S, LJ.
11 1111 = 63d	Slot 63 for TDM or right slot 31 for I ² S, LJ.

Similarly, the slot assignment setting for output channel 2 to channel 6 can be done using the CH2_SLOT (P0_R12) to CH6_SLOT (P0_R16) registers, respectively.

The slot word length is the same as the output channel data word length set for the device. The output channel data word length must be set to the same value for all PCM6xx0-Q1 devices if all devices share the same ASI bus in a system. The maximum number of slots possible for the ASI bus in a system is limited by the available bus bandwidth, which depends upon the BCLK frequency, output data sample rate used, and the channel data word length configured.

The device also includes a feature that offsets the start of the slot data transfer with respect to the frame sync by up to 31 cycles of the bit clock. 表 5 lists the programmable offset configuration settings.

表 5. Programmable Offset Settings for the ASI Slot Start

P0_R8_D[4:0] : TX_OFFSET[4:0]	PROGRAMMABLE OFFSET SETTING FOR SLOT DATA TRANSMISSION START
0 0000 = 0d (default)	The device follows the standard protocol timing without any offset.
0 0001 = 1d	Slot start is offset by one BCLK cycle, as compared to standard protocol timing. For I ² S or LJ, the left and right slot start is offset by one BCLK cycle, as compared to standard protocol timing.
.....
1 1110 = 30d	Slot start is offset by 30 BCLK cycles, as compared to standard protocol timing. For I ² S or LJ, the left and right slot start is offset by 30 BCLK cycles, as compared to standard protocol timing.
1 1111 = 31d	Slot start is offset by 31 BCLK cycles, as compared to standard protocol timing. For I ² S or LJ, the left and right slot start is offset by 31 BCLK cycles, as compared to standard protocol timing.

The device also features the ability to invert the polarity of the frame sync pin, FSYNC, used to transfer the audio data as compared to the default FSYNC polarity used in standard protocol timing. This feature can be set using the FSYNC_POL, P0_R7_D3 register bit. Similarly, the device can invert the polarity of the bit clock pin, BCLK, which can be set using the BCLK_POL, P0_R7_D2 register bit.

8.3.1.2.1 Time Division Multiplexed Audio (TDM) Interface

In TDM mode, also known as DSP mode, the rising edge of FSYNC starts the data transfer with the slot 0 data first. Immediately after the slot 0 data transmission, the remaining slot data are transmitted in order. FSYNC and each data bit (except the MSB of slot 0 when TX_OFFSET equals 0) is transmitted on the rising edge of BCLK. 图 24 到 图 27 illustrate the protocol timing for TDM operation with various configurations.

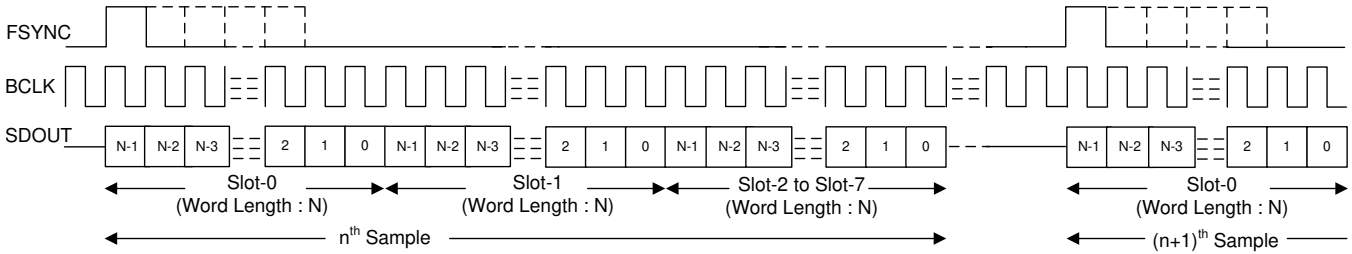


图 24. TDM Mode Standard Protocol Timing (TX_OFFSET = 0)

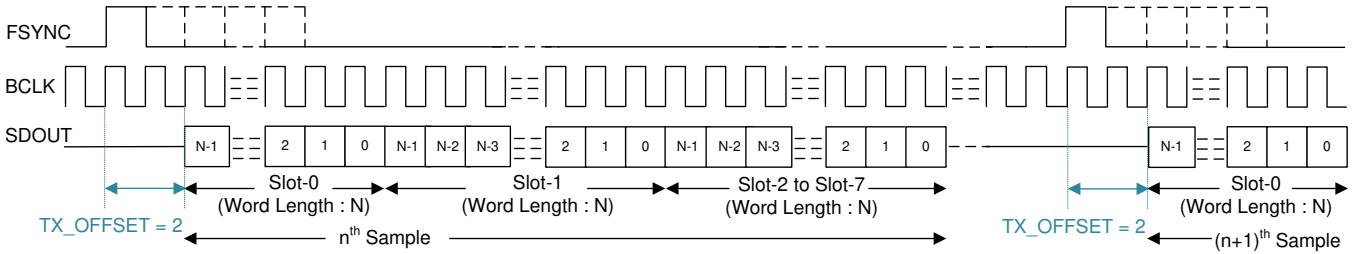


图 25. TDM Mode Protocol Timing (TX_OFFSET = 2)

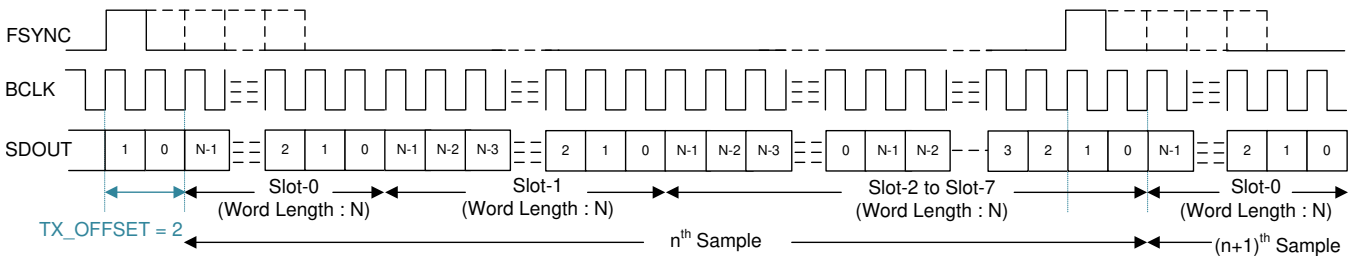


图 26. TDM Mode Protocol Timing (No Idle BCLK Cycles, TX_OFFSET = 2)

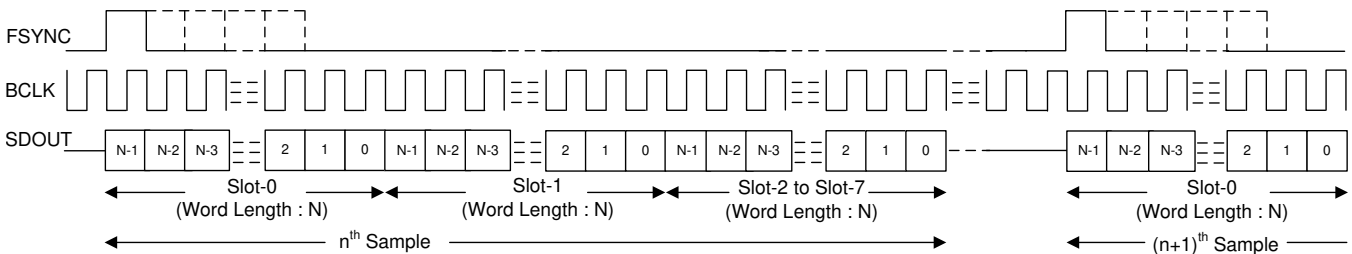


图 27. TDM Mode Protocol Timing (TX_OFFSET = 0 and BCLK_POL = 1)

For proper operation of the audio bus in TDM mode, the number of bit clocks per frame must be greater than or equal to the number of active output channels times the programmed word length of the output channel data. The device supports FSYNC as a pulse with a 1-cycle-wide bit clock, but also supports multiples as well. For a higher BCLK frequency operation, using TDM mode with a TX_OFFSET value higher than 0 is recommended.

ADVANCE INFORMATION

8.3.1.2.2 Inter IC Sound (I²S) Interface

The standard I²S protocol is defined for only two channels: left and right. The device extends the same protocol timing for multichannel operation. In I²S mode, the MSB of the left slot 0 is transmitted on the falling edge of BCLK in the second cycle after the falling edge of FSYNC. Immediately after the left slot 0 data transmission, the remaining left slot data are transmitted in order. The MSB of the right slot 0 is transmitted on the falling edge of BCLK in the second cycle after the rising edge of FSYNC. Immediately after the right slot 0 data transmission, the remaining right slot data are transmitted in order. FSYNC and each data bit is transmitted on the falling edge of BCLK. 图 28 to 图 31 show the protocol timing for I²S operation with various configurations.

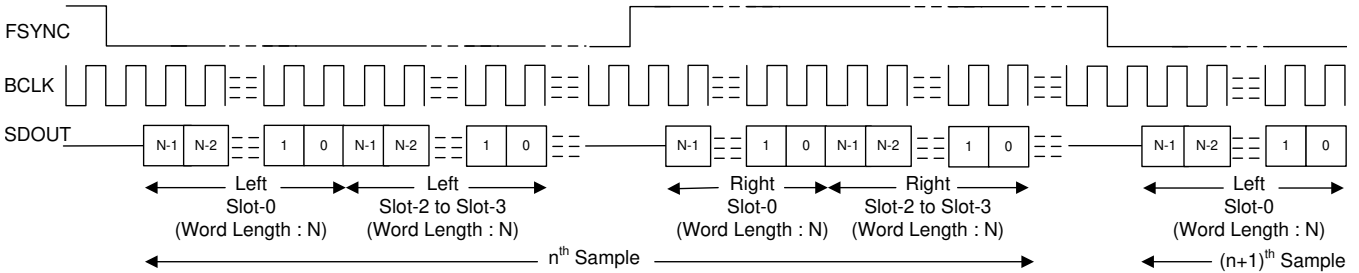


图 28. I²S Mode Standard Protocol Timing (TX_OFFSET = 0)

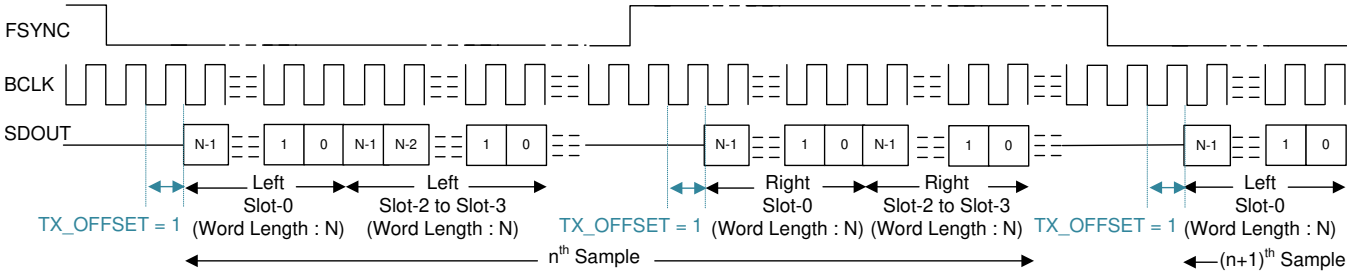


图 29. I²S Protocol Timing (TX_OFFSET = 1)

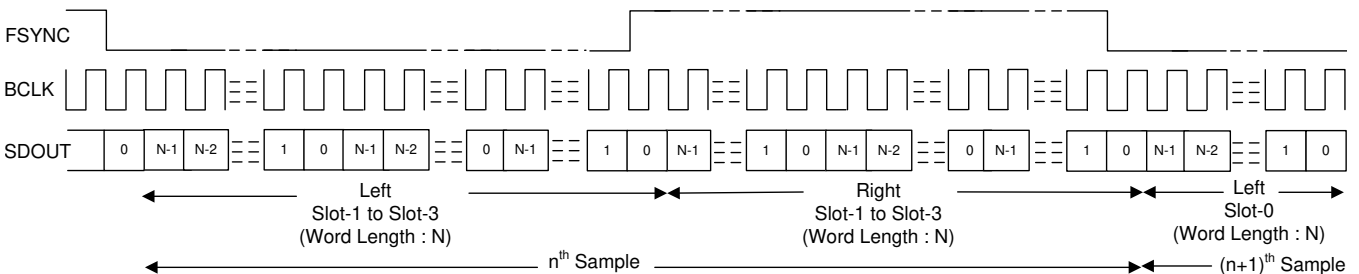


图 30. I²S Protocol Timing (No Idle BCLK Cycles, TX_OFFSET = 0)

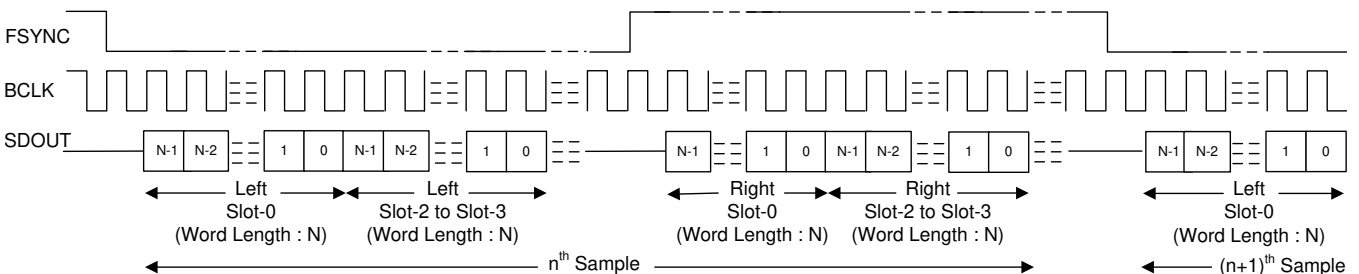


图 31. I²S Protocol Timing (TX_OFFSET = 0 and BCLK_POL = 1)

For proper operation of the audio bus in I²S mode, the number of bit clocks per frame must be greater than or equal to the number of active output channels (including left and right slots) times the programmed word length of the output channel data. The device FSYNC low pulse must be a number of BCLK cycles wide that is greater than or equal to the number of active left slots times the data word length configured. Similarly, the FSYNC high pulse must be a number of BCLK cycles wide that is greater than or equal to the number of active right slots times the data word length configured.

8.3.1.2.3 Left-Justified (LJ) Interface

The standard LJ protocol is defined for only two channels: left and right. The device extends the same protocol timing for multichannel operation. In LJ mode, the MSB of the left slot 0 is transmitted in the same BCLK cycle after the *rising* edge of FSYNC. Each subsequent data bit is transmitted on the falling edge of BCLK. Immediately after the left slot 0 data transmission, the remaining left slot data are transmitted in order. The MSB of the right slot 0 is transmitted in the same BCLK cycle after the *falling* edge of FSYNC. Each subsequent data bit is transmitted on the falling edge of BCLK. Immediately after the right slot 0 data transmission, the remaining right slot data are transmitted in order. FSYNC is transmitted on the falling edge of BCLK. 图 32 to 图 35 illustrate the protocol timing for LJ operation with various configurations.

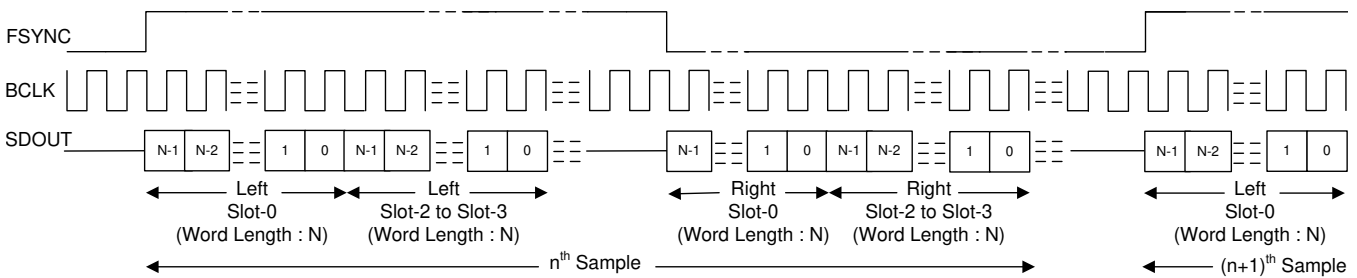


图 32. LJ Mode Standard Protocol Timing (TX_OFFSET = 0)

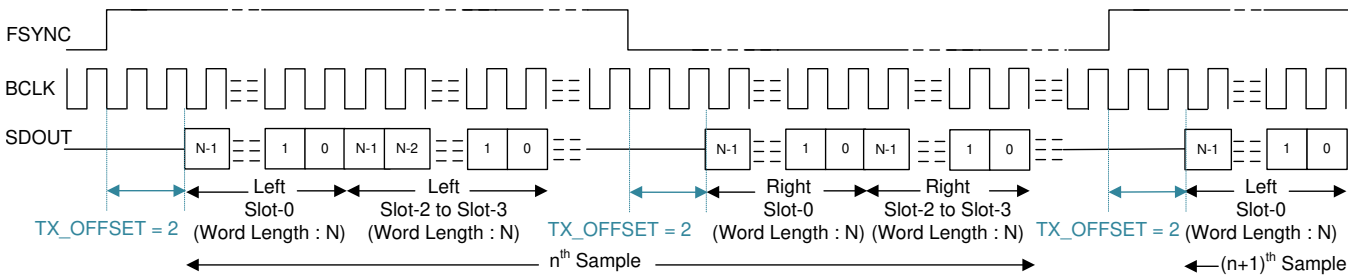


图 33. LJ Protocol Timing (TX_OFFSET = 2)

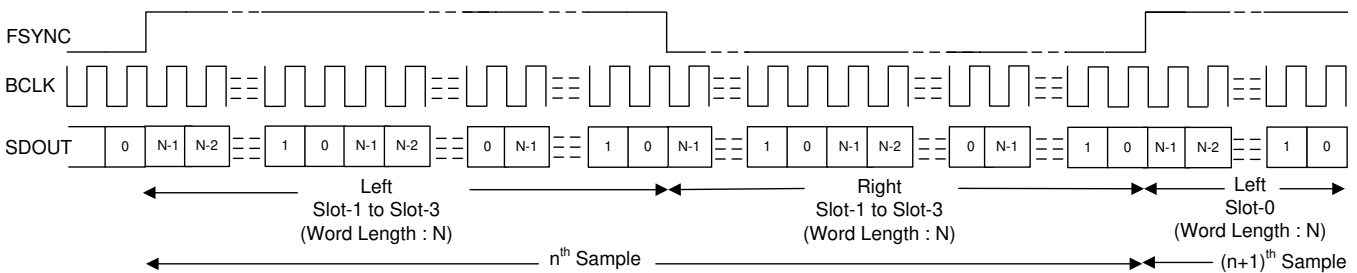


图 34. LJ Protocol Timing (No Idle BCLK Cycles, TX_OFFSET = 0)

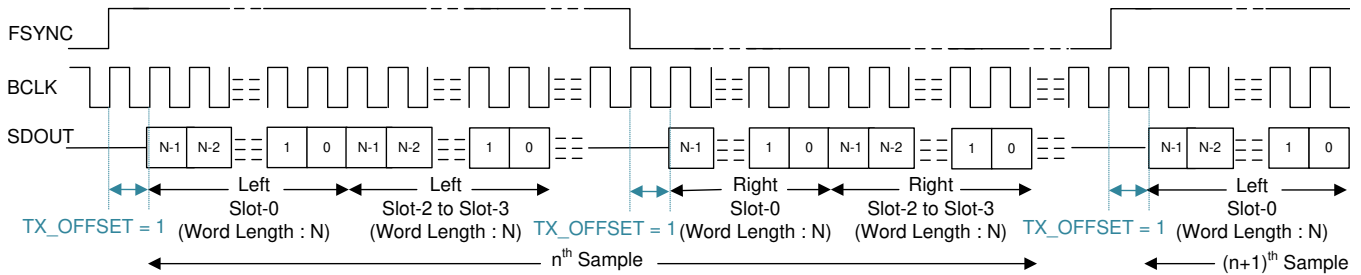


图 35. LJ Protocol Timing (TX_OFFSET = 1 and BCLK_POL = 1)

For proper operation of the audio bus in LJ mode, the number of bit clocks per frame must be greater than or equal to the number of active output channels (including left and right slots) times the programmed word length of the output channel data. The device FSYNC high pulse must be a number of BCLK cycles wide that is greater than or equal to the number of active left slots times the data word length configured. Similarly, the FSYNC low pulse must be number of BCLK cycles wide that is greater than or equal to the number of active right slots times the data word length configured. For a higher BCLK frequency operation, using LJ mode with a TX_OFFSET value higher than 0 is recommended.

8.3.1.3 Using Multiple Devices With Shared Buses

The device has many supported features and flexible options that can be used in the system to seamlessly connect multiple PCM6xx0-Q1 devices by sharing a single common I²C control bus and an audio serial interface bus. This architecture enables multiple applications to be applied to a system that require a microphone array for beam-forming operation, hands-free in-vehicle communication, car cabin active noise cancellation, and so forth. 图 36 shows a diagram of multiple PCM6xx0-Q1 devices in a configuration where the control and audio data buses are shared.

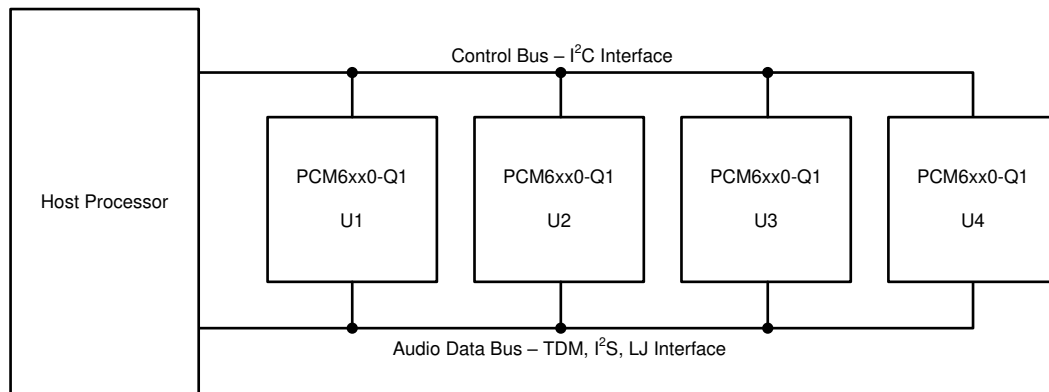


图 36. Multiple PCM6xx0-Q1 Devices With Shared Control and Audio Data Buses

The PCM6xx0-Q1 consist of the following features to enable seamless connection and interaction of multiple devices using a shared bus:

- Supports up to four pin-programmable I²C slave addresses
- I²C broadcast simultaneously writes to (or triggers) all PCM6xx0-Q1 devices
- Supports up to 64 configuration output channel slots for the audio serial interface
- Tri-state feature (with enable and disable) for the unused audio data slots of the device
- Supports a bus-holder feature (with enable and disable) to keep the last driven value on the audio bus
- The GPIOx pin can be configured as a secondary output data lane for the audio serial interface
- The GPIOx or GPlx pin can be used in a daisy-chain configuration of multiple PCM6xx0-Q1 devices
- Supports one BCLK cycle data latching timing to relax the timing requirement for the high-speed interface
- Programmable master and slave options for the audio serial interface

- Ability to synchronize the multiple devices for the simultaneous sampling requirement across devices
See the [Multiple PCM6xx0-Q1 Devices With Shared TDM and I²C Bus application report](#) for further details.

8.3.2 Phase-Locked Loop (PLL) and Clock Generation

The device has a smart auto-configuration block to generate all necessary internal clocks required for the ADC modulator and the digital filter engine used for signal processing. This configuration is done by monitoring the frequency of the FSYNC and BCLK signal on the audio bus.

The device supports the various output data sample rates (of the FSYNC signal frequency) and the BCLK to FSYNC ratio to configure all clock dividers, including the PLL configuration, internally without host programming. 表 6 and 表 7 list the supported FSYNC and BCLK frequencies.

表 6. Supported FSYNC (Multiples or Submultiples of 48 kHz) and BCLK Frequencies

BCLK TO FSYNC RATIO	BCLK (MHz)								
	FSYNC (8 kHz)	FSYNC (16 kHz)	FSYNC (24 kHz)	FSYNC (32 kHz)	FSYNC (48 kHz)	FSYNC (96 kHz)	FSYNC (192 kHz)	FSYNC (384 kHz)	FSYNC (768 kHz)
16	Reserved	0.256	0.384	0.512	0.768	1.536	3.072	6.144	12.288
24	Reserved	0.384	0.576	0.768	1.152	2.304	4.608	9.216	18.432
32	0.256	0.512	0.768	1.024	1.536	3.072	6.144	12.288	24.576
48	0.384	0.768	1.152	1.536	2.304	4.608	9.216	18.432	Reserved
64	0.512	1.024	1.536	2.048	3.072	6.144	12.288	24.576	Reserved
96	0.768	1.536	2.304	3.072	4.608	9.216	18.432	Reserved	Reserved
128	1.024	2.048	3.072	4.096	6.144	12.288	24.576	Reserved	Reserved
192	1.536	3.072	4.608	6.144	9.216	18.432	Reserved	Reserved	Reserved
256	2.048	4.096	6.144	8.192	12.288	24.576	Reserved	Reserved	Reserved
384	3.072	6.144	9.216	12.288	18.432	Reserved	Reserved	Reserved	Reserved
512	4.096	8.192	12.288	16.384	24.576	Reserved	Reserved	Reserved	Reserved
1024	8.192	16.384	24.576	Reserved	Reserved	Reserved	Reserved	Reserved	Reserved
2048	16.384	Reserved	Reserved	Reserved	Reserved	Reserved	Reserved	Reserved	Reserved

表 7. Supported FSYNC (Multiples or Submultiples of 44.1 kHz) and BCLK Frequencies

BCLK TO FSYNC RATIO	BCLK (MHz)								
	FSYNC (7.35 kHz)	FSYNC (14.7 kHz)	FSYNC (22.05 kHz)	FSYNC (29.4 kHz)	FSYNC (44.1 kHz)	FSYNC (88.2 kHz)	FSYNC (176.4 kHz)	FSYNC (352.8 kHz)	FSYNC (705.6 kHz)
16	Reserved	Reserved	0.3528	0.4704	0.7056	1.4112	2.8224	5.6448	11.2896
24	Reserved	0.3528	0.5292	0.7056	1.0584	2.1168	4.2336	8.4672	16.9344
32	Reserved	0.4704	0.7056	0.9408	1.4112	2.8224	5.6448	11.2896	22.5792
48	0.3528	0.7056	1.0584	1.4112	2.1168	4.2336	8.4672	16.9344	Reserved
64	0.4704	0.9408	1.4112	1.8816	2.8224	5.6448	11.2896	22.5792	Reserved
96	0.7056	1.4112	2.1168	2.8224	4.2336	8.4672	16.9344	Reserved	Reserved
128	0.9408	1.8816	2.8224	3.7632	5.6448	11.2896	22.5792	Reserved	Reserved
192	1.4112	2.8224	4.2336	5.6448	8.4672	16.9344	Reserved	Reserved	Reserved
256	1.8816	3.7632	5.6448	7.5264	11.2896	22.5792	Reserved	Reserved	Reserved
384	2.8224	5.6448	8.4672	11.2896	16.9344	Reserved	Reserved	Reserved	Reserved
512	3.7632	7.5264	11.2896	15.0528	22.5792	Reserved	Reserved	Reserved	Reserved
1024	7.5264	15.0528	22.5792	Reserved	Reserved	Reserved	Reserved	Reserved	Reserved
2048	15.0528	Reserved	Reserved	Reserved	Reserved	Reserved	Reserved	Reserved	Reserved

The status register ASI_STS, P0_R21, captures the device auto detect result for the FSYNC frequency and the BCLK to FSYNC ratio. If the device finds any unsupported combinations of FSYNC frequency and BCLK to FSYNC ratios, the device generates an ASI clock-error interrupt and mutes the record channels accordingly.

The device uses an integrated, low-jitter, phase-locked loop (PLL) to generate internal clocks required for the ADC modulator and digital filter engine, as well as other control blocks. The device also supports an option to use BCLK, GPIOx, or the GPIx pin (as MCLK) as the audio clock source without using the PLL to reduce power consumption. However, the ADC performance may degrade based on jitter from the external clock source, and some processing features may not be supported if the external audio clock source frequency is not high enough. Therefore, TI recommends using the PLL for high-performance applications. More details and information on how to configure and use the device in low-power mode without using the PLL are discussed in the [PCM6xx0-Q1 Power Consumption Matrix Across Various Usage Scenario application report](#).

The device also supports an audio bus master mode operation using the GPIOx or GPIx pin (as MCLK) as the reference input clock source and supports various flexible options and a wide variety of system clocks. More details and information on master mode configuration and operation are discussed in the [Configuring and Operating the PCM6xx0-Q1 as an Audio Bus Master application report](#).

The audio bus clock error detection and auto-detect feature automatically generates all internal clocks, but can be disabled using the ASI_ERR, P0_R9_D5 and AUTO_CLK_CFG, P0_R19_D6, register bits, respectively. In the system, this disable feature can be used to support custom clock frequencies that are not covered by the auto detect scheme. For such application use cases, care must be taken to ensure that the multiple clock dividers are all configured appropriately. Therefore, TI recommends using the PPC3 GUI for device configuration settings; for more details see the [PCM6xx0-Q1 Evaluation module user's guide](#) and the [PurePath™ console graphical development suite](#).

8.3.3 Input Channel Configuration

The PCM6x60-Q1 consist of six pairs and the PCM6x40-Q1 consist of four pairs of analog input pins (INxP and INxM) that can be configured as either differential or single-ended inputs for the recording channel. These devices support simultaneous recording of up to six channels in the PCM6x60-Q1 and four channels in the PCM6x40-Q1 using the multichannel ADC. The input source for the analog pins can be either analog microphones or line, aux inputs from the system board. 表 8 describes how to set the input configuration for the record channel.

表 8. Input Source Selection for the Record Channel

P0_R60_D[6:5] : CH1_INSRC[1:0]	INPUT CHANNEL 1 RECORD SOURCE SELECTION
00 (default)	Analog differential input for channel 1
01	Analog single-ended input for channel 1
10 or 11	Reserved (do not use this setting)

Similarly, the input source selection setting for input channel 2 to channel 6 can be configured using the CH2_INSRC[1:0] (P0_R65_D[6:5]) to CH6_INSRC[1:0] (P0_R85_D[6:5]) registers bits, respectively.

The device supports the input DC fault diagnostic feature for microphone recording with the DC-coupled inputs configuration; however, the device also supports an option for AC-coupled inputs if the DC diagnostic is not required for the specific input pins. This configuration can be done independently for each channel by setting the CH1_DC (P0_R60_D4) to CH6_DC (P0_R85_D4) register bits.

For the DC-coupled line input configuration, the DC common-mode difference (INxP – INxM) for the analog input pins must be 0 V to support the $10\text{-}V_{\text{RMS}}$ full-scale differential input. For the DC-coupled microphone input configuration, the DC common-mode difference (INxP – INxM) for the analog input pins must be within 3.4 V to 5.0 V to support the $2\text{-}V_{\text{RMS}}$ full-scale differential input in the default mode of operation. Alternatively, the device has a mode to support more than a $2\text{-}V_{\text{RMS}}$ differential DC-coupled microphone signal by setting the CH1_MIC_IN_RANGE, P0_R60_D3, register bit for channel 1 and, similarly, the CH2_MIC_IN_RANGE, P0_R65_D3 to CH6_MIC_IN_RANGE, P0_R85_D3 registers bit (respectively) for channels 2 to 6. If the CH1_MIC_IN_RANGE bit is set high (the recommended setting to support a higher DC common-mode difference and a higher AC signal swing), then the device supports the maximum differential input voltage IN1P–IN1M as high as 8.4 V (for the MICBIAS 9-V setting), including the AC signal and DC differential common-mode voltage. The DC differential common-mode voltage is later filtered out by the digital high-pass filter and the digital output full-scale corresponds to the $10\text{-}V_{\text{RMS}}$ AC signal in this case.

图 37 和 图 38 显示如何连接 DC 耦合麦克风以用于差分输入和单端输入，分别。外部偏置电阻 R_1 的值必须根据麦克风的阻抗适当选择。对于差分输入，外部偏置电阻的值建议为麦克风阻抗的一半，而对于单端输入，外部偏置电阻的值建议与麦克风的阻抗相同。

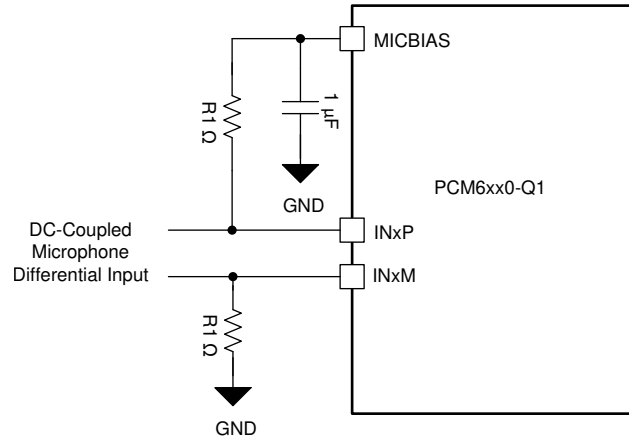


图 37. DC-Coupled Microphone Differential Input Connection

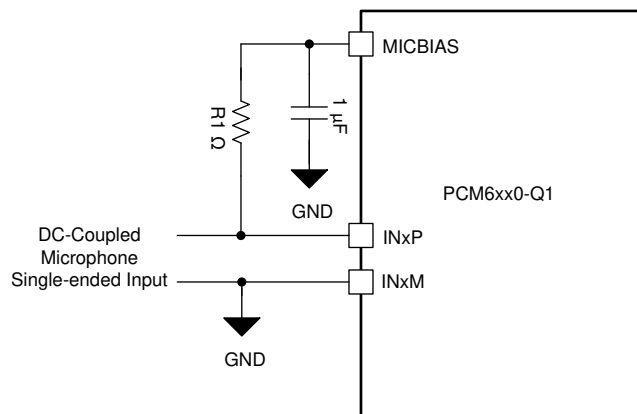


图 38. DC-Coupled Microphone Single-Ended Input Connection

In AC-coupled mode, the value of the coupling capacitor must be so chosen that the high-pass filter formed by the coupling capacitor and the input impedance do not affect the signal content. At power-up, before proper recording can begin, this coupling capacitor must be charged up to the common-mode voltage. For single-ended input configuration, the INxM pin must be grounded after the AC coupling capacitor in AC-coupled mode.

图 39 和 图 40 显示如何连接 AC-耦合的麦克风或线路源用于差分输入和单端输入，分别。在 AC-耦合模式下，设备输入引脚 INxP 和 INxM，必须适当地偏置用于 DC 共模值，要么使用片上 MICBIAS 输出电压与外部偏置电阻器，R0，要么使用外部偏置生成器电路。R0 的最大值取决于信号摆幅和 MICBIAS 值。请参阅 [PCM6xx0-Q1 AC-Coupled External Resistor Calculator](#) 来计算 R0 值以用于所需的系统配置。

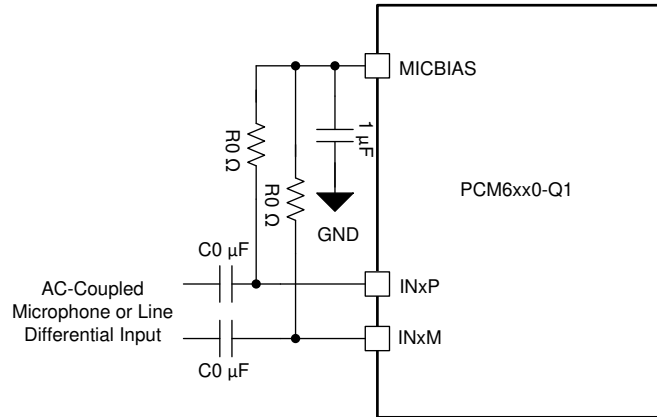


图 39. AC-Coupled Microphone or Line Differential Input Connection

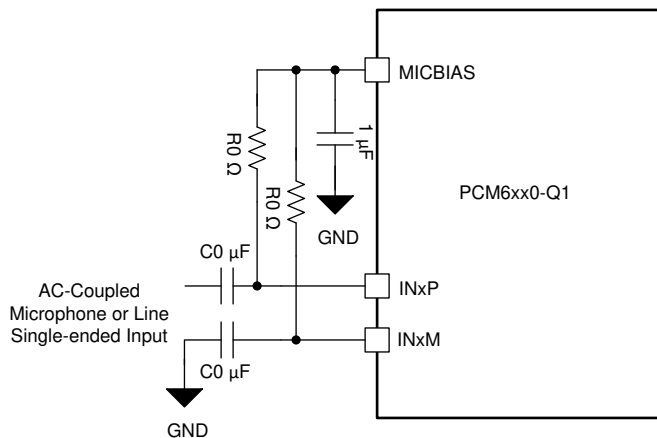


图 40. AC-Coupled Microphone or Line Single-Ended Input Connection

8.3.4 Reference Voltage

All audio data converters require a DC reference voltage. The PCM6xx0-Q1 family achieves its low-noise performance by internally generating a low-noise reference voltage. This reference voltage is generated using a band-gap circuit with a good PSRR performance. This audio converter reference voltage must be filtered externally using a minimum 1-µF capacitor connected from the VREF pin to the analog ground (AVSS).

To achieve low power consumption, this audio reference block is powered down in sleep mode or software shutdown; see the [Sleep Mode or Software Shutdown](#) section for more details. When exiting sleep mode, the audio reference block is powered up using internal fast-charge scheme and the VREF pin settles to its steady-state voltage after the settling time (a function of the decoupling capacitor on the VREF pin). This time is approximately equal to 3.5 ms when using a 1-µF decoupling capacitor. If a higher value of the decoupling capacitor is used on the VREF pin, the fast-charge setting must be reconfigured using the VREF_QCHG, P0_R2_D[4:3] register bits, which support options of 3.5 ms (default), 10 ms, 50 ms, or 100 ms.

8.3.5 Microphone Bias

The device integrates a built-in, low-noise, programmable, high-voltage, microphone bias pin (MICBIAS) that can be used in the system for biasing the analog microphone. The integrated bias amplifier supports up to 80 mA of load current, which can be used for multiple microphones and is designed to provide a combination of high PSRR, low noise, and programmable bias voltages to allow the biasing to be fine tuned for specific microphone combinations. The PCM62x0-Q1 have an integrated efficient boost converter to generate the high voltage supply for the programmable microphone bias using an external, low-voltage, 3.3-V BSTVDD supply. However, The PCM63x0-Q1 require an external high-voltage supply, HVDD, which requires at least 600 mV higher than the programmed microphone bias voltage and must be lower than 12 V.

When using the MICBIAS pin for biasing multiple microphones, TI recommends avoiding common impedance on the board layout for the MICBIAS connection to minimize coupling across microphones. 表 9 shows the available microphone bias programmable options.

表 9. MICBIAS Programmable Settings

P0_R59_D[7:4] : MBIAS_VAL[3:0]	MICBIAS OUTPUT VOLTAGE
0000 to 0110	Reserved (do not use these settings)
0111	Set to 5.0 V
1000	Set to 5.5 V
1001	Set to 6.0 V
1010	Set to 6.5 V
1011	Set to 7.0 V
1100	Set to 7.5 V
1101	Set to 8.0 V
1110	Set to 8.5 V
1111	Set to 9.0 V

The microphone bias output can be powered on or powered off (default) by configuring the MICBIAS_PDZ, P0_R117_D7 register bit. Additionally, the device provides an option to configure the GPIOx pins to directly control the microphone bias output power on or power off. This feature is useful in some systems to control the microphone directly without engaging the host for I²C or SPI communication. The MICBIAS_PDZ, P0_R117_D7 register bit value is ignored if the GPIOx pins are configured to control the microphone bias power on or power off.

8.3.6 Input DC Fault Diagnostics

Each input of the PCM6x0-Q1 features highly comprehensive DC fault diagnostics that can be configured to detect fault conditions in the DC-coupled input configuration and trigger an interrupt request to a host processor. Diagnostics are enabled for each channel by configuring DIAG_CFG0, P0_R100. For channels with diagnostics enabled, the input pins are scanned automatically by an integrated SAR ADC. The diagnostic processor averages eight consecutive samples per test to improve noise performance. The DC fault diagnostics is not supported in the AC-coupled input configuration.

The device features various programmable threshold registers, P0_R101 to P0_R102, which can be configured by the host processor to define the fault region for a different category of fault condition detection. Additionally, there is also a debounce feature, configured with FAULT_DBNCE_SEL, P0_R103_D3-2. This feature sets the number of consecutive scan counts where the fault condition occurs before the latched status register is tripped, thus reducing false triggers by transient events. The device also has a moving average feature, P0_R104, which continuously averages out the newly measured data with old measured data and thus reduces the false triggers by any short-duration transient events.

8.3.6.1 Fault Conditions

8.3.6.1.1 Input Pin Short to Ground

A short to ground fault occurs when the voltage of the input pin is measured below the threshold voltage with respect to ground (AVSS). The threshold can be set by configuring DIAG_SHT_GND, P0_R102_D7-4.

8.3.6.1.2 Input Pin Short to MICBIAS

A short to MICBIAS fault occurs when the difference between the voltage measured for the MICBIAS pin and the input pin (MICBIAS – INxx) is less than the threshold. The threshold can be set by configuring DIAG_SHT_MICBIAS, P0_R102_D3-0.

8.3.6.1.3 Open Inputs

In the event that a microphone becomes disconnected from the inputs, the microphone bias resistors pull INxP to MICBIAS and INxM to ground. The combination of INxP shorted to MICBIAS and INxM shorted to ground for the same channel in a diagnostic sweep results in an open input fault condition.

8.3.6.1.4 Short Between INxP and INxM

An input terminal shorted fault occurs when the difference between the voltage measured for the input pin INxP and the input pin INxM of the same channel is less than the threshold. The threshold can be set by configuring DIAG_SHT_TERM, P0_R101_D7-4.

8.3.6.1.5 Input Pin Overvoltage

An input terminal overvoltage fault occurs when the voltage measured for the input pin is above the voltage measured for the MICBIAS pin.

8.3.6.1.6 Input Pin Short to VBAT_IN

A short to VBAT_IN fault occurs when the difference between the voltage measured for the VBAT_IN pin and the input pin, ABS(VBAT_IN – INxx), is less than the threshold or both the VBAT_IN and INxx pin measured voltages are above 11.7 V. The threshold can be set by configuring DIAG_SHT_VBAT_IN, P0_R101_D3-0.

When VBAT_IN is less than MICBIAS, false fault detections can exist based on the signal level of the INxx pin. To minimize false detections there is also a separate debounce count for this condition set by configuring VSHORT_DBNCE, P0_R106_D1.

8.3.6.2 Fault Reporting

Faults are reported in live and latched status registers. The live registers, P1_R45 to P1_R55, are updated continuously with each new scan and report the most recent measurements reported by the diagnostics processor. The latched status of each diagnostic fault is reported by the channel in P0_R46 to P0_R55, and a latched summary by the channel is reported in CHx_LTCH, P0_R45. The latched registers clear upon reading, and are latched if the associated bit in the live fault registers transitions from a '0' to a '1'. A transition of any bit in the latched register from a '0' to '1' triggers an interrupt request.

For detecting a persistent fault, an additional mode is available for the latched registers. In this mode, the latched registers are only cleared upon reading if the status bit in the associated live status register is '0' at the time of reading. This mode is enabled by configuring LTCH_CLR_ON_READ, P0_R40_D0 to a '1'.

8.3.6.2.1 Overcurrent and Overtemperature Protection

The device has an overcurrent protection circuit that limits the current drawn out of the MICBIAS output to the maximum supported level when an external undesired short event occurs on the MICBIAS pin. The device sets the status flag, P0_R44_D4 bit, on an overcurrent detection. Additionally, the device has an overtemperature detection circuit that is enabled by default and sets the status flag, P0_R44_D5 bit, whenever the die junction temperature goes higher than the supported level.

Additionally, register P0_R58 and P0_R40_D4:3 can be configured to shutdown MICBIAS along with the on-chip boost on an overtemperature detection. TI recommends configuring PD_ON_FLT_CFG, P0_R40_D4-3 to "10" so that on an overtemperature detection, the device powers-down MICBIAS, the on-chip boost, and all ADC channels.

More details and information on fault diagnostics are discussed in the [PCM6xx0-Q1 Fault Diagnostics, Interrupts, and Protection Features application report](#).

8.3.7 Signal-Chain Processing

The PCM6xx0-Q1 signal chain is comprised of very-low-noise, high-performance, and low-power analog blocks and highly flexible and programmable digital processing blocks. The high performance and flexibility combined with a compact package makes the PCM6xx0-Q1 optimized for a variety of end-equipment and applications that require multichannel audio capture. [Figure 41](#) shows a conceptual block diagram that highlights the various building blocks used in the signal chain, and how the blocks interact in the signal chain.

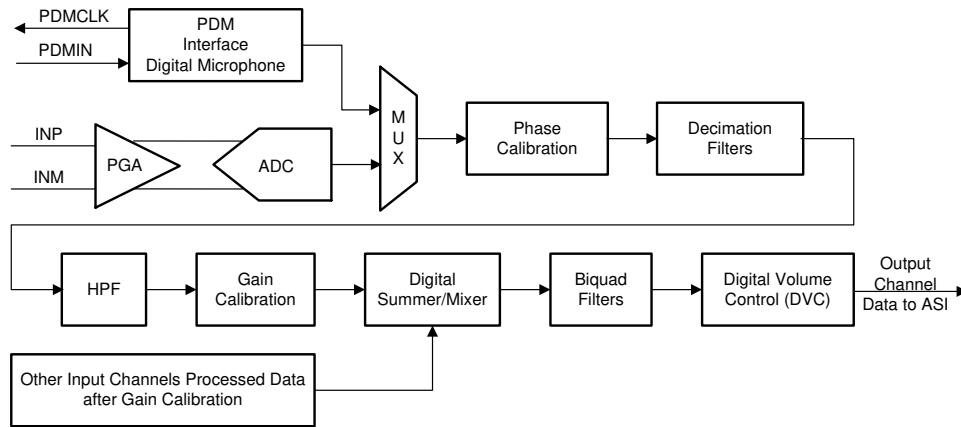


图 41. Signal-Chain Processing Flowchart

The front-end input attenuator allows the device to accept the high-voltage input signal that is attenuated by the input attenuator circuit before being routed to a low-noise programmable gain amplifier (PGA). Along with a low-noise and low-distortion, multibit, delta-sigma ADC, the front-end PGA enables the PCM6xx0-Q1 to record a far-field audio signal with very high fidelity, both in quiet and loud environments. Moreover, the ADC architecture has inherent antialias filtering with a high rejection of out-of-band frequency noise around multiple modulator frequency components. Therefore, the device prevents noise from aliasing into the audio band during ADC sampling. Further on in the signal chain, an integrated, high-performance multistage digital decimation filter sharply cuts off any out-of-band frequency noise with high stop-band attenuation.

The device also has an integrated programmable biquad filter that allows for custom low-pass, high-pass, or any other desired frequency shaping. Thus, the overall signal chain architecture removes the requirement to add external components for antialiasing low-pass filtering, and thus saves drastically on the external system component cost and board space. See the [PCM6xx0-Q1 Integrated Analog Antialiasing Filter and Flexible Digital Filter application report](#) for further details.

The signal chain also consists of various highly programmable digital processing blocks, such as phase calibration, gain calibration, high-pass filter, digital summer or mixer, biquad filters, and volume control. The details on these processing blocks are discussed further in this section.

The desired input channels for recording can be enabled or disabled by using the IN_CH_EN (P0_R115) register, and the output channels for the audio serial interface can be enabled or disabled by using the ASI_OUT_EN (P0_R116) register. In general, the device supports simultaneous power-up and power-down of all active channels for simultaneous recording. However, based on the application needs, if some channels must be powered-up or powered-down dynamically when the other channel recording is on, then that use case is supported by setting the DYN_CH_PUPD_EN, P0_R117_D4 register bit to 1'b1 but do not power-down channel 1 in this mode of operation.

The device supports an input signal bandwidth up to 80 kHz, which allows the high-frequency non-audio signal to be recorded by using a 176.4-kHz (or higher) sample rate.

For output sample rates of 48 kHz or lower, the device supports all features for 6-channel recording and various programmable processing blocks. However, for output sample rates higher than 48 kHz, there are limitations in the number of simultaneous channel recordings supported and the number of biquad filters and such. See the [PCM6xx0-Q1 Sampling Rates and Programmable Processing Blocks Supported application report](#) for further details.

8.3.7.1 Programmable Channel Gain and Digital Volume Control

The device has an independent programmable channel gain setting for each input channel that can be set to the appropriate value based on the maximum input signal expected in the system and the ADC VREF setting used (see the [Reference Voltage](#) section), which determines the ADC full-scale signal level.

Configure the desired channel gain setting before powering up the ADC channel and do not change this setting while the ADC is powered on. The programmable range supported for each channel gain is from 0 dB to 42 dB in steps of 1 dB. To achieve low-noise performance, the device internal logic first maximizes the gain for the front-end low-noise analog PGA, and then applies any residual programmed channel gain in the digital processing block.

表 10 shows the programmable options available for the channel gain.

表 10. Channel Gain Programmable Settings

P0_R61_D[7:2] : CH1_GAIN[5:0]	CHANNEL GAIN SETTING FOR INPUT CHANNEL 1
00 0000 = 0d (default)	Input channel 1 gain is set to 0 dB
00 0001 = 1d	Input channel 1 gain is set to 1 dB
00 0010 = 2d	Input channel 1 gain is set to 2 dB
...	...
10 1001 = 41d	Input channel 1 gain is set to 41 dB
10 1010 = 42d	Input channel 1 gain is set to 42 dB
10 1011 to 11 1111 = 43d to 63d	Reserved (do not use these settings)

Similarly, the channel gain setting for input channel 2 to channel 6 can be configured using the CH2_GAIN (P0_R66) to CH6_GAIN (P0_R86) register bits, respectively.

The device also has a programmable digital volume control with a range from –100 dB to 27 dB in steps of 0.5 dB with the option to mute the channel recording. The digital volume control value can be changed dynamically while the ADC channel is powered-up and recording. During volume control changes, the soft ramp-up or ramp-down volume feature is used internally to avoid any audible artifacts. Soft-stepping can be entirely disabled using the DISABLE_SOFT_STEP (P0_R108_D4) register bit.

The digital volume control setting is independently available for each output channel, including the digital microphone record channel. However, the device also supports an option to gang-up the volume control setting for all channels together using the channel 1 digital volume control setting, regardless if channel 1 is powered up or powered down. This gang-up can be enabled using the DVOL_GANG (P0_R108_D7) register bit.

表 11 shows the programmable options available for the digital volume control.

表 11. Digital Volume Control (DVC) Programmable Settings

P0_R62_D[7:0] : CH1_DVOL[7:0]	DVC SETTING FOR OUTPUT CHANNEL 1
0000 0000 = 0d	Output channel 1 DVC is set to mute
0000 0001 = 1d	Output channel 1 DVC is set to –100 dB
0000 0010 = 2d	Output channel 1 DVC is set to –99.5 dB
0000 0011 = 3d	Output channel 1 DVC is set to –99 dB
...	...
1100 1000 = 200d	Output channel 1 DVC is set to –0.5 dB
1100 1001 = 201d (default)	Output channel 1 DVC is set to 0 dB
1100 1010 = 202d	Output channel 1 DVC is set to 0.5 dB
...	...
1111 1101 = 253d	Output channel 1 DVC is set to 26 dB
1111 1110 = 254d	Output channel 1 DVC is set to 26.5 dB
1111 1111 = 255d	Output channel 1 DVC is set to 27 dB

Similarly, the digital volume control setting for output channel 2 to channel 6 can be configured using the CH2_DVOL (P0_R67) to CH6_DVOL (P0_R87) register bits, respectively.

The internal digital processing engine soft ramps up the volume from a muted level to the programmed volume level when the channel is powered up, and the internal digital processing engine soft ramps down the volume from a programmed volume to mute when the channel is powered down. This soft-stepping of volume is done to prevent abruptly powering up and powering down the record channel. This feature can also be entirely disabled using the DISABLE_SOFT_STEP (P0_R108_D4) register bit.

8.3.7.2 Programmable Channel Gain Calibration

Along with the programmable channel gain and digital volume, this device also provides programmable channel gain calibration. The gain of each channel can be finely calibrated or adjusted in steps of 0.1 dB for a range of –0.8-dB to 0.7-dB gain error. This adjustment is useful when trying to match the gain across channels resulting from external components and microphone sensitivity. This feature, in combination with the regular digital volume control, allows the gains across all channels to be matched for a wide gain error range with a resolution of 0.1 dB. 表 12 shows the programmable options available for the channel gain calibration.

表 12. Channel Gain Calibration Programmable Settings

P0_R63_D[7:4] : CH1_GCAL[3:0]	CHANNEL GAIN CALIBRATION SETTING FOR INPUT CHANNEL 1
0000 = 0d	Input channel 1 gain calibration is set to –0.8 dB
0001 = 1d	Input channel 1 gain calibration is set to –0.7 dB
...	...
1000 = 8d (default)	Input channel 1 gain calibration is set to 0 dB
...	...
1110 = 14d	Input channel 1 gain calibration is set to 0.6 dB
1111 = 15d	Input channel 1 gain calibration is set to 0.7 dB

Similarly, the channel gain calibration setting for input channel 2 to channel 6 can be configured using the CH2_GCAL (P0_R68) to CH6_GCAL (P0_R88) register bits, respectively.

8.3.7.3 Programmable Channel Phase Calibration

In addition to the gain calibration, the phase delay in each channel can be finely calibrated or adjusted in steps of one modulator clock cycle for a cycle range of 0 to 255 for the phase error. The modulator clock, the same clock used for ADC_MOD_CLK, is 6.144 MHz (the output data sample rate is multiples or submultiples of 48 kHz) or 5.6448 MHz (the output data sample rate is multiples or submultiples of 44.1 kHz). This feature is very useful for many applications that must match the phase with fine resolution between each channel, including any phase mismatch across channels resulting from external components or microphones. 表 13 shows the available programmable options for channel phase calibration.

表 13. Channel Phase Calibration Programmable Settings

P0_R64_D[7:0] : CH1_PCAL[7:0]	CHANNEL PHASE CALIBRATION SETTING FOR INPUT CHANNEL 1
0000 0000 = 0d (default)	Input channel 1 phase calibration with no delay
0000 0001 = 1d	Input channel 1 phase calibration delay is set to one cycle of the modulator clock
0000 0010 = 2d	Input channel 1 phase calibration delay is set to two cycles of the modulator clock
...	...
1111 1110 = 254d	Input channel 1 phase calibration delay is set to 254 cycles of the modulator clock
1111 1111 = 255d	Input channel 1 phase calibration delay is set to 255 cycles of the modulator clock

Similarly, the channel phase calibration setting for input channel 2 to channel 6 can be configured using the CH2_PCAL (P0_R69) to CH6_PCAL (P0_R89) register bits, respectively.

8.3.7.4 Programmable Digital High-Pass Filter

To remove the DC offset component and attenuate the undesired low-frequency noise content in the record data, the device supports a programmable high-pass filter (HPF). The HPF is not a channel-independent filter setting but is globally applicable for all ADC channels. This HPF is constructed using the first-order infinite impulse response (IIR) filter, and is efficient enough to filter out possible DC components of the signal. 表 14 shows the predefined -3-dB cutoff frequencies available that can be set by using the HPF_SEL[1:0] register bits of P0_R107. Additionally, to achieve a custom -3-dB cutoff frequency for a specific application, the device also allows the first-order IIR filter coefficients to be programmed when the HPF_SEL[1:0] register bits are set to 2'b00. 图 42 shows a frequency response plot for the HPF filter.

表 14. HPF Programmable Settings

P0_R107_D[1:0] : HPF_SEL[1:0]	-3-dB CUTOFF FREQUENCY SETTING	-3-dB CUTOFF FREQUENCY AT 16-kHz SAMPLE RATE	-3-dB CUTOFF FREQUENCY AT 48-kHz SAMPLE RATE
00	Programmable 1st-order IIR filter	Programmable 1st-order IIR filter	Programmable 1st-order IIR filter
01 (default)	$0.00025 \times f_s$	4 Hz	12 Hz
10	$0.002 \times f_s$	32 Hz	96 Hz
11	$0.008 \times f_s$	128 Hz	384 Hz

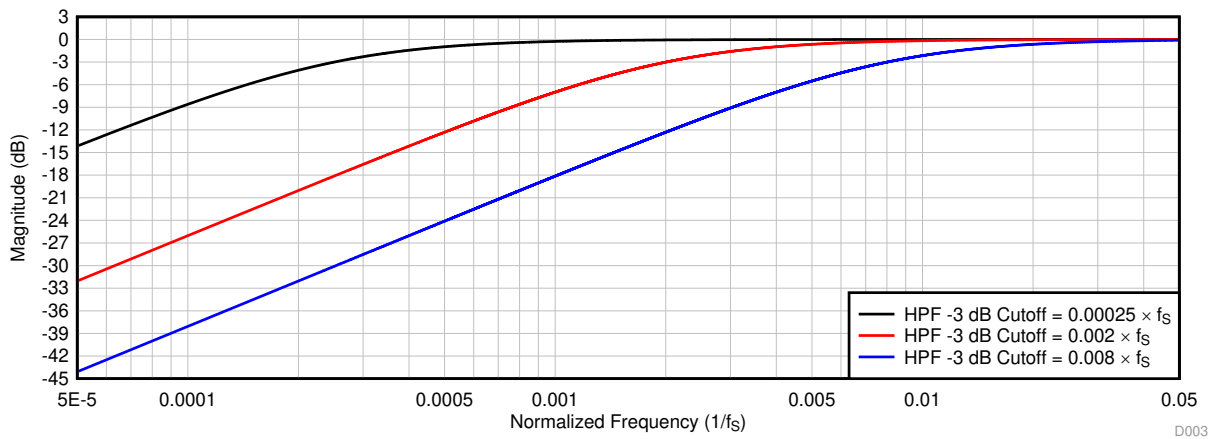


图 42. HPF Filter Frequency Response Plot

公式 1 gives the transfer function for the first-order programmable IIR filter:

$$H(z) = \frac{N_0 + N_1 z^{-1}}{2^{31} - D_1 z^{-1}} \quad (1)$$

The frequency response for this first-order programmable IIR filter with default coefficients is flat at a gain of 0 dB (all-pass filter). The host device can override the frequency response by programming the IIR coefficients in 表 15 to achieve the desired frequency response for high-pass filtering or any other desired filtering. If HPF_SEL[1:0] are set to 2'b00, the host device must write these coefficients values for the desired frequency response before powering-up any ADC channel for recording. These programmable coefficients are 32-bit, two's complement numbers. 表 15 shows the filter coefficients for the first-order IIR filter.

表 15. 1st-Order IIR Filter Coefficients

FILTER	FILTER COEFFICIENT	DEFAULT COEFFICIENT VALUE	COEFFICIENT REGISTER MAPPING
Programmable 1st-order IIR filter (can be allocated to HPF or any other desired filter)	N_0	0x7FFFFFFF	P4_R72-R75
	N_1	0x00000000	P4_R76-R79
	D_1	0x00000000	P4_R80-R83

8.3.7.5 Programmable Digital Biquad Filters

The device supports up to 12 programmable digital biquad filters. These highly efficient filters achieve the desired frequency response. In digital signal processing, a digital biquad filter is a second-order, recursive linear filter with two poles and two zeros. [公式 2](#) gives the transfer function of each biquad filter:

$$H(z) = \frac{N_0 + 2N_1z^{-1} + N_2z^{-2}}{2^{31} - 2D_1z^{-1} - D_2z^{-2}} \quad (2)$$

The frequency response for the biquad filter section with default coefficients is flat at a gain of 0 dB (all-pass filter). The host device can override the frequency response by programming the biquad coefficients to achieve the desired frequency response for a low-pass, high-pass, or any other desired frequency shaping. The programmable coefficients for the mixer operation are located in the [Programmable Coefficient Registers: Page = 0x02](#) and [Programmable Coefficient Registers: Page = 0x03](#) sections. If biquad filtering is required, then the host device must write these coefficients values before powering up any ADC channels for recording. These programmable coefficients are 32-bit, two's complement numbers. As described in [表 16](#), these biquad filters can be allocated for each output channel based on the BIQUAD_CFG[1:0] register setting of P0_R108. By setting BIQUAD_CFG[1:0] to 2'b00, the biquad filtering for all record channels is disabled and the host device can choose this setting if no additional filtering is required for the system application. See the [PCM6xx0-Q1 Programmable Biquad Filter Configuration and Applications application report](#) for further details.

表 16. Biquad Filter Allocation to the Record Output Channel

PROGRAMMABLE BIQUAD FILTER	RECORD OUTPUT CHANNEL ALLOCATION USING P0_R108_D[6:5] REGISTER SETTING		
	BIQUAD_CFG[1:0] = 2'b01 (1 Biquad per Channel)	BIQUAD_CFG[1:0] = 2'b10 (Default) (2 Biquads per Channel)	BIQUAD_CFG[1:0] = 2'b11 (3 Biquads per Channel)
	SUPPORTS ALL 8 CHANNELS	SUPPORTS UP TO 6 CHANNELS	SUPPORTS UP TO 4 CHANNELS
Biquad filter 1	Allocated to output channel 1	Allocated to output channel 1	Allocated to output channel 1
Biquad filter 2	Allocated to output channel 2	Allocated to output channel 2	Allocated to output channel 2
Biquad filter 3	Allocated to output channel 3	Allocated to output channel 3	Allocated to output channel 3
Biquad filter 4	Allocated to output channel 4	Allocated to output channel 4	Allocated to output channel 4
Biquad filter 5	Not used	Allocated to output channel 1	Allocated to output channel 1
Biquad filter 6	Not used	Allocated to output channel 2	Allocated to output channel 2
Biquad filter 7	Not used	Allocated to output channel 3	Allocated to output channel 3
Biquad filter 8	Not used	Allocated to output channel 4	Allocated to output channel 4
Biquad filter 9	Allocated to output channel 5	Allocated to output channel 5	Allocated to output channel 1
Biquad filter 10	Allocated to output channel 6	Allocated to output channel 6	Allocated to output channel 2
Biquad filter 11	Not used	Allocated to output channel 5	Allocated to output channel 3
Biquad filter 12	Not used	Allocated to output channel 6	Allocated to output channel 4

[表 17](#) shows the biquad filter coefficients mapping to the register space.

表 17. Biquad Filter Coefficients Register Mapping

PROGRAMMABLE BIQUAD FILTER	BIQUAD FILTER COEFFICIENTS REGISTER MAPPING	PROGRAMMABLE BIQUAD FILTER	BIQUAD FILTER COEFFICIENTS REGISTER MAPPING
Biquad filter 1	P2_R8-R27	Biquad filter 7	P3_R8-R27
Biquad filter 2	P2_R28-R47	Biquad filter 8	P3_R28-R47
Biquad filter 3	P2_R48-R67	Biquad filter 9	P3_R48-R67
Biquad filter 4	P2_R68-R87	Biquad filter 10	P3_R68-R87
Biquad filter 5	P2_R88-R107	Biquad filter 11	P3_R88-R107
Biquad filter 6	P2_R108-R127	Biquad filter 12	P3_R108-R127

8.3.7.6 Programmable Channel Summer and Digital Mixer

For applications that require an even higher SNR than that supported for each channel, the device digital summing mode can be used. In this mode, the digital record data are summed up across the channel with an equal weightage factor, which helps in reducing the effective record noise. 表 18 lists the configuration settings available for channel summing mode.

表 18. Channel Summing Mode Programmable Settings

P0_R107_D[3:2] : CH_SUM[2:0]	CHANNEL SUMMING MODE FOR INPUT CHANNELS	SNR AND DYNAMIC RANGE BOOST
00 (Default)	Channel summing mode is disabled	Not applicable
01	Output channel 1 = (input channel 1 + input channel 2) / 2	3-dB boost in SNR and dynamic range
	Output channel 2 = (input channel 1 + input channel 2) / 2	
	Output channel 3 = (input channel 3 + input channel 4) / 2	3-dB boost in SNR and dynamic range
	Output channel 4 = (input channel 3 + input channel 4) / 2	
10	Output channel 1 = (input channel 1 + input channel 2 + input channel 3 + input channel 4) / 4	6-dB boost in SNR and dynamic range
	Output channel 2 = (input channel 1 + input channel 2 + input channel 3 + input channel 4) / 4	
	Output channel 3 = (input channel 1 + input channel 2 + input channel 3 + input channel 4) / 4	
	Output channel 4 = (input channel 1 + input channel 2 + input channel 3 + input channel 4) / 4	
11	Reserved (do not use this setting)	Not applicable

The device additionally supports a fully programmable mixer feature that can mix the various input channels with their custom programmable scale factor to generate the final output channels. The programmable mixer feature is available only if CH_SUM[2:0] is set to 2'b00. The mixer function is only supported for input channel 1 to channel 4. 图 43 shows a block diagram that describes the mixer 1 operation to generate output channel 1. The programmable coefficients for the mixer operation are located in the [Programmable Coefficient Registers: Page = 0x04](#) section. All mixer coefficients are 32-bit, two's complement numbers using a 1.31 number format. The value of 0x7FFFFFFF is equivalent to +1 (0-dB gain), the value 0x00000000 is equivalent to mute (zero data), and any values in between set the mixer attenuation computed using 公式 3. If the MSB is set to '1' then the attenuation remains the same but the signal phase is inverted. All IIR filter programmable coefficients are 32-bit, two's complement numbers.

$$\text{hex2dec (value)} / 2^{31} \tag{3}$$

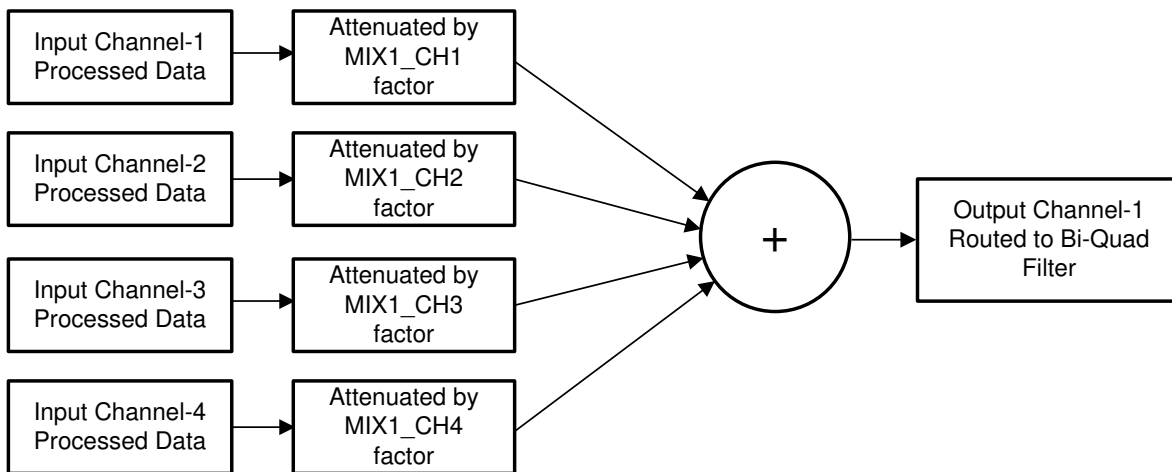


图 43. Programmable Digital Mixer Block Diagram

A similar mixer operation is performed by mixer 2, mixer 3, and mixer 4 to generate output channel 2, channel 3, and channel 4, respectively.

8.3.7.7 Configurable Digital Decimation Filters

The device record channel includes a high dynamic range, built-in digital decimation filter to process the oversampled data from the multibit delta-sigma ($\Delta\Sigma$) modulator to generate digital data at the same Nyquist sampling rate as the FSYNC rate. As illustrated in 图 41, this decimation filter can also be used for processing the oversampled PDM stream from the digital microphone. The decimation filter can be chosen from three different types, depending on the required frequency response, group delay, and phase linearity requirements for the target application. The selection of the decimation filter option can be done by configuring the DECI_FILT, P0_R107_D[5:4] register bits. 表 19 shows the configuration register setting for the decimation filter mode selection for the record channel.

表 19. Decimation Filter Mode Selection for the Record Channel

P0_R107_D[5:4] : DECI_FILT[1:0]	DECIMATION FILTER MODE SELECTION
00 (default)	Linear phase filters are used for the decimation
01	Low-latency filters are used for the decimation
10	Ultra-low latency filters are used for the decimation
11	Reserved (do not use this setting)

8.3.7.7.1 Linear Phase Filters

The linear phase decimation filters are the default filters set by the device and can be used for all applications that require a perfect linear phase with zero-phase deviation within the pass-band specification of the filter. The filter performance specifications and various plots for all supported output sampling rates are listed in this section.

8.3.7.7.1.1 Sampling Rate: 8 kHz or 7.35 kHz

图 44 and 图 45 respectively show the magnitude response and the pass-band ripple for a decimation filter with a sampling rate of 8 kHz or 7.35 kHz. 表 20 lists the specifications for a decimation filter with an 8-kHz or 7.35-kHz sampling rate.

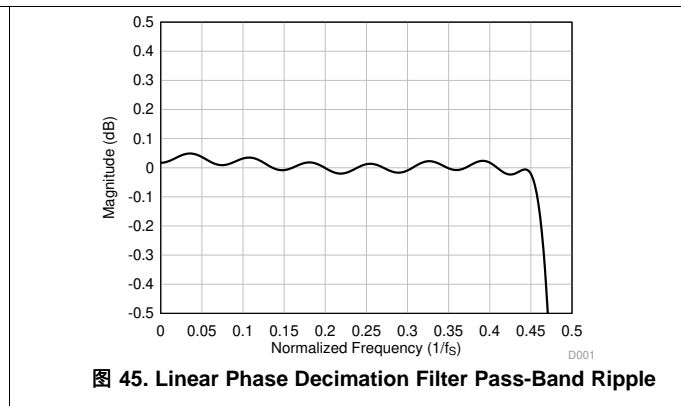
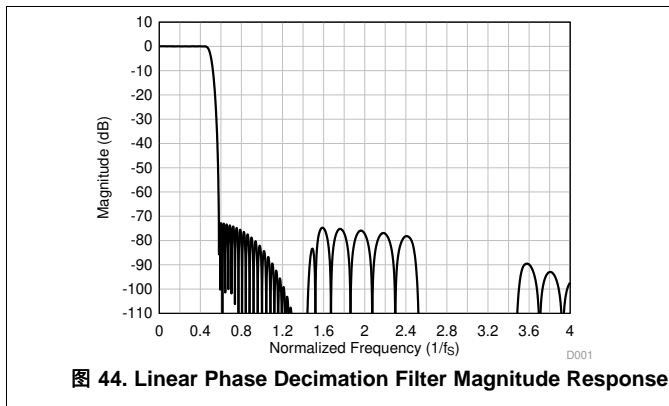


表 20. Linear Phase Decimation Filter Specifications

PARAMETER	TEST CONDITIONS	MIN	TYP	MAX	UNIT
Pass-band ripple	Frequency range is 0 to $0.454 \times f_s$	-0.05		0.05	dB
Stop-band attenuation	Frequency range is $0.58 \times f_s$ to $4 \times f_s$	72.7			
	Frequency range is $4 \times f_s$ onwards	81.2			
Group delay or latency	Frequency range is 0 to $0.454 \times f_s$		17.1		$1/f_s$

8.3.7.7.1.2 Sampling Rate: 16 kHz or 14.7 kHz

图 46 和 图 47 分别显示具有 16 kHz 或 14.7 kHz 采样率的衰减滤波器的幅频响应和通带纹波。表 21 列出了具有 16-kHz 或 14.7-kHz 采样率的衰减滤波器的规格。

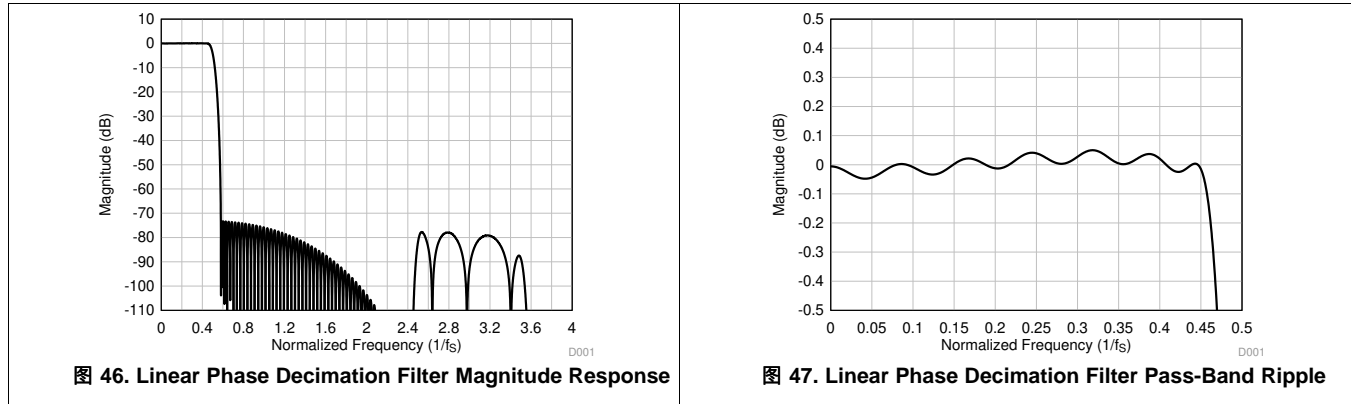


表 21. Linear Phase Decimation Filter Specifications

PARAMETER	TEST CONDITIONS	MIN	TYP	MAX	UNIT
Pass-band ripple	Frequency range is 0 to $0.454 \times f_s$	-0.05		0.05	dB
Stop-band attenuation	Frequency range is $0.58 \times f_s$ to $4 \times f_s$	73.3			dB
	Frequency range is $4 \times f_s$ onwards	95.0			
Group delay or latency	Frequency range is 0 to $0.454 \times f_s$		15.7		$1/f_s$

8.3.7.7.1.3 Sampling Rate: 24 kHz or 22.05 kHz

图 48 和 图 49 分别显示具有 24 kHz 或 22.05 kHz 采样率的衰减滤波器的幅频响应和通带纹波。表 22 列出了具有 24-kHz 或 22.05-kHz 采样率的衰减滤波器的规格。

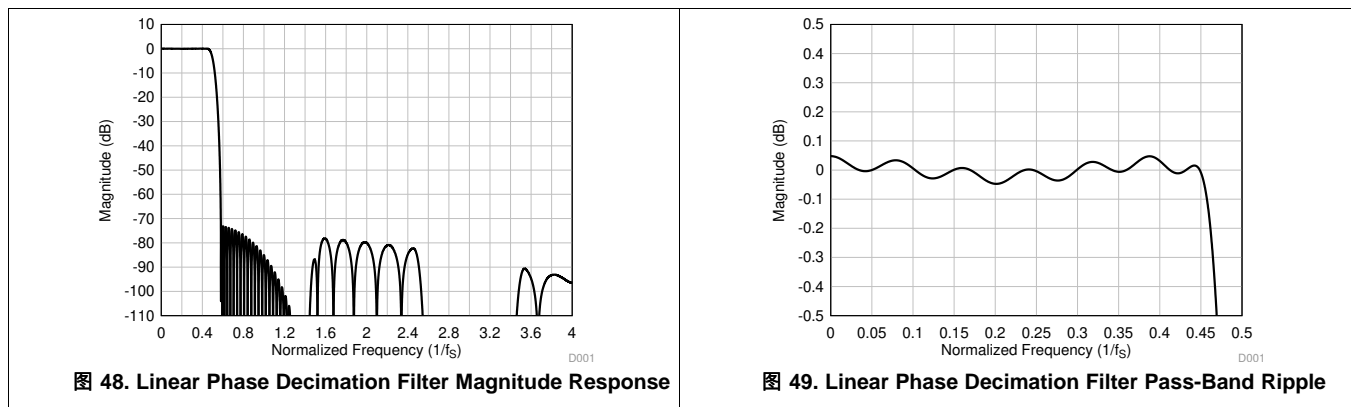


表 22. Linear Phase Decimation Filter Specifications

PARAMETER	TEST CONDITIONS	MIN	TYP	MAX	UNIT
Pass-band ripple	Frequency range is 0 to $0.454 \times f_s$	-0.05		0.05	dB
Stop-band attenuation	Frequency range is $0.58 \times f_s$ to $4 \times f_s$	73.0			dB
	Frequency range is $4 \times f_s$ onwards	96.4			
Group delay or latency	Frequency range is 0 to $0.454 \times f_s$		16.6		$1/f_s$

8.3.7.7.1.4 Sampling Rate: 32 kHz or 29.4 kHz

图 50 和 图 51 分别显示具有 32 kHz 或 29.4 kHz 采样率的衰减滤波器的幅频响应和通带纹波。表 23 列出了具有 32-kHz 或 29.4-kHz 采样率的衰减滤波器的规格。

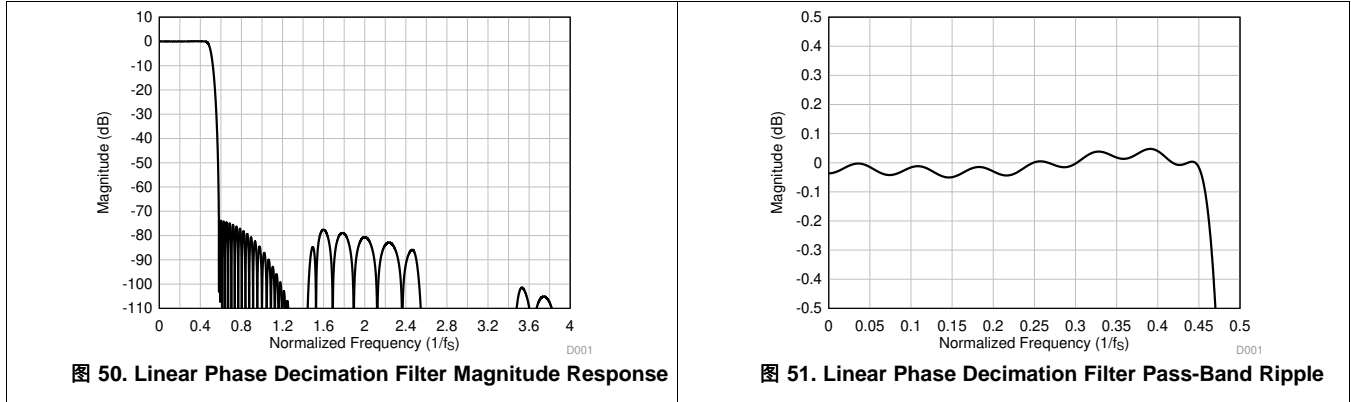


表 23. Linear Phase Decimation Filter Specifications

PARAMETER	TEST CONDITIONS	MIN	TYP	MAX	UNIT
Pass-band ripple	Frequency range is 0 to $0.454 \times f_s$	-0.05		0.05	dB
Stop-band attenuation	Frequency range is $0.58 \times f_s$ to $4 \times f_s$	73.7			dB
	Frequency range is $4 \times f_s$ onwards	107.2			
Group delay or latency	Frequency range is 0 to $0.454 \times f_s$		16.9		$1/f_s$

8.3.7.7.1.5 Sampling Rate: 48 kHz or 44.1 kHz

图 52 和 图 53 分别显示具有 48 kHz 或 44.1 kHz 采样率的衰减滤波器的幅频响应和通带纹波。表 24 列出了具有 48-kHz 或 44.1-kHz 采样率的衰减滤波器的规格。

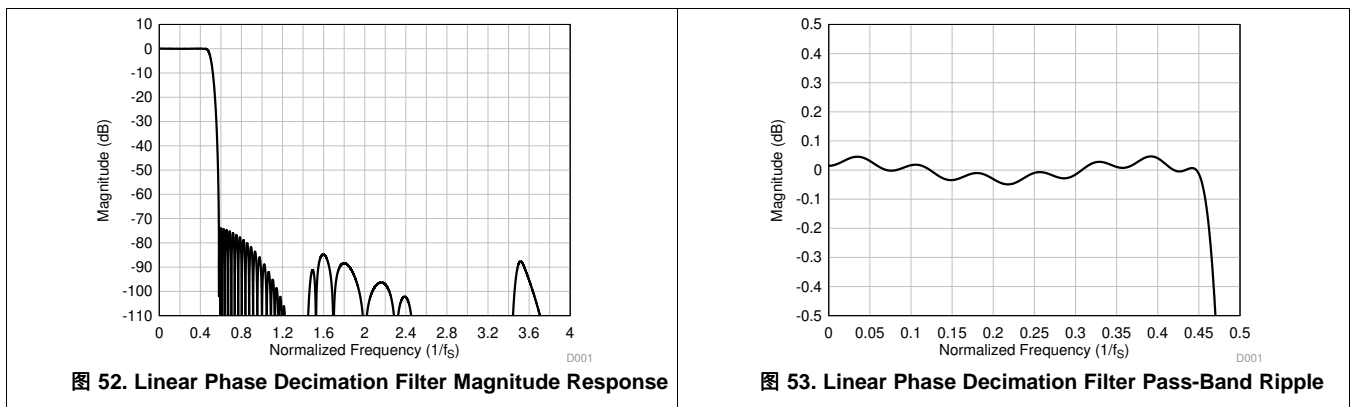


表 24. Linear Phase Decimation Filter Specifications

PARAMETER	TEST CONDITIONS	MIN	TYP	MAX	UNIT
Pass-band ripple	Frequency range is 0 to $0.454 \times f_s$	-0.05		0.05	dB
Stop-band attenuation	Frequency range is $0.58 \times f_s$ to $4 \times f_s$	73.8			dB
	Frequency range is $4 \times f_s$ onwards	98.1			
Group delay or latency	Frequency range is 0 to $0.454 \times f_s$		17.1		$1/f_s$

8.3.7.7.1.6 Sampling Rate: 96 kHz or 88.2 kHz

图 54 和 图 55 分别显示具有 96 kHz 或 88.2 kHz 采样率的衰减滤波器的幅频响应和通带纹波。表 25 列出了具有 96-kHz 或 88.2-kHz 采样率的衰减滤波器的规格。

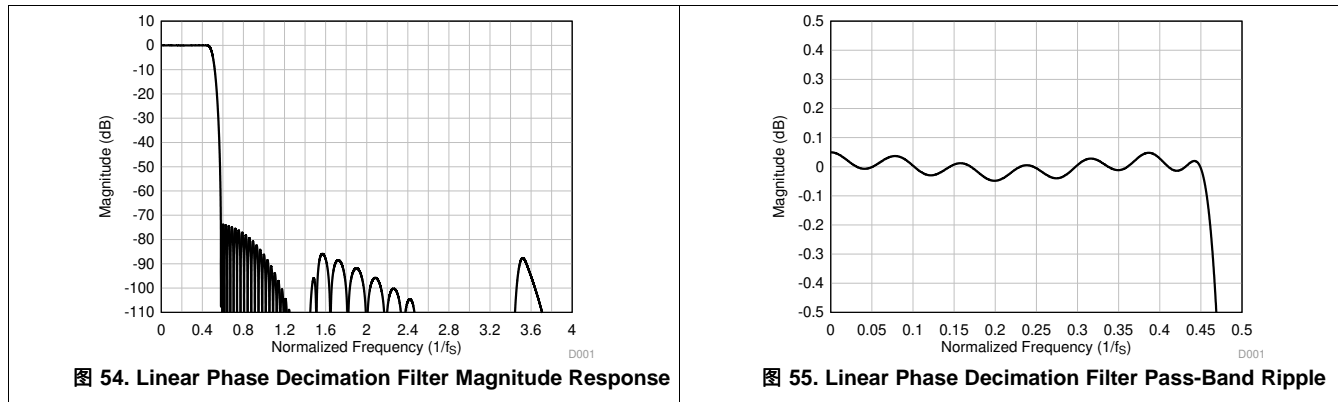


图 54. Linear Phase Decimation Filter Magnitude Response

图 55. Linear Phase Decimation Filter Pass-Band Ripple

表 25. Linear Phase Decimation Filter Specifications

PARAMETER	TEST CONDITIONS	MIN	TYP	MAX	UNIT
Pass-band ripple	Frequency range is 0 to $0.454 \times f_s$	-0.05		0.05	dB
Stop-band attenuation	Frequency range is $0.58 \times f_s$ to $4 \times f_s$	73.6			dB
	Frequency range is $4 \times f_s$ onwards	97.9			
Group delay or latency	Frequency range is 0 to $0.454 \times f_s$		17.1		$1/f_s$

8.3.7.7.1.7 Sampling Rate: 192 kHz or 176.4 kHz

图 56 和 图 57 分别显示具有 192 kHz 或 176.4 kHz 采样率的衰减滤波器的幅频响应和通带纹波。表 26 列出了具有 192-kHz 或 176.4-kHz 采样率的衰减滤波器的规格。

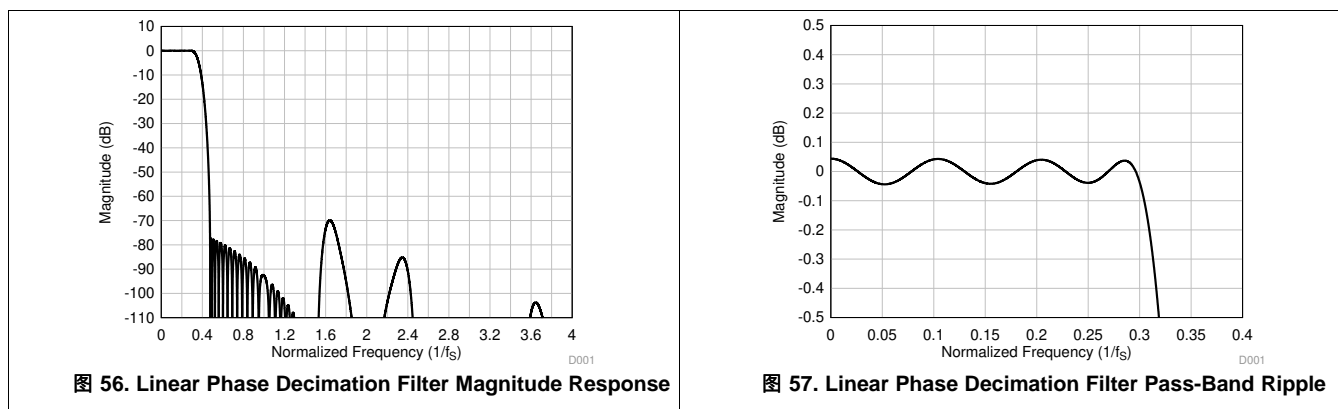


图 56. Linear Phase Decimation Filter Magnitude Response

图 57. Linear Phase Decimation Filter Pass-Band Ripple

表 26. Linear Phase Decimation Filter Specifications

PARAMETER	TEST CONDITIONS	MIN	TYP	MAX	UNIT
Pass-band ripple	Frequency range is 0 to $0.3 \times f_s$	-0.05		0.05	dB
Stop-band attenuation	Frequency range is $0.473 \times f_s$ to $4 \times f_s$	70.0			dB
	Frequency range is $4 \times f_s$ onwards	111.0			
Group delay or latency	Frequency range is 0 to $0.3 \times f_s$		11.9		$1/f_s$

ADVANCE INFORMATION

8.3.7.7.1.8 Sampling Rate: 384 kHz or 352.8 kHz

图 58 和 图 59 分别显示具有 384 kHz 或 352.8 kHz 采样率的衰减滤波器的幅频响应和通带纹波。表 27 列出了具有 384-kHz 或 352.8-kHz 采样率的衰减滤波器的规格。

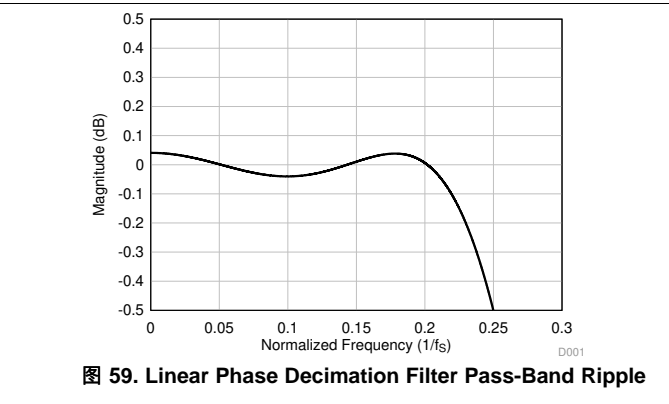
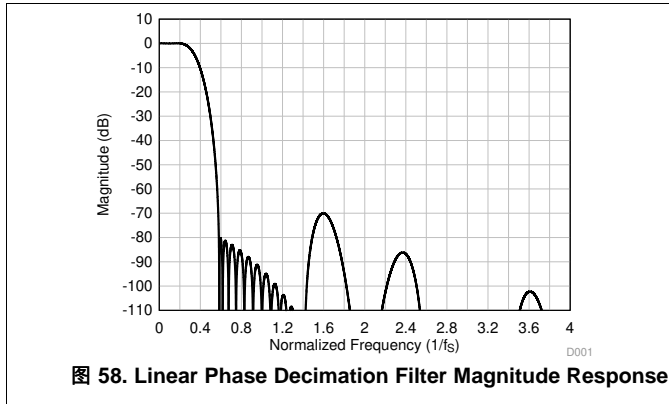


表 27. Linear Phase Decimation Filter Specifications

PARAMETER	TEST CONDITIONS	MIN	TYP	MAX	UNIT
Pass-band ripple	Frequency range is 0 to $0.212 \times f_s$	-0.05		0.05	dB
Stop-band attenuation	Frequency range is $0.58 \times f_s$ to $4 \times f_s$	70.0			dB
	Frequency range is $4 \times f_s$ onwards	108.8			
Group delay or latency	Frequency range is 0 to $0.212 \times f_s$		7.2		$1/f_s$

8.3.7.7.1.9 Sampling Rate: 768 kHz or 705.6 kHz

图 60 和 图 61 分别显示具有 768 kHz 或 705.6 kHz 采样率的衰减滤波器的幅频响应和通带纹波。表 28 列出了具有 768-kHz 或 705.6-kHz 采样率的衰减滤波器的规格。

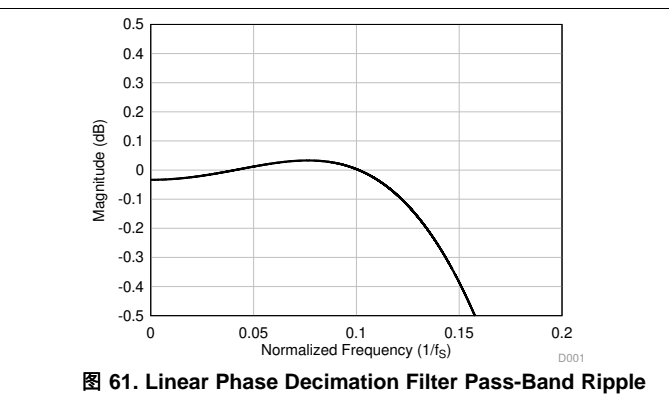
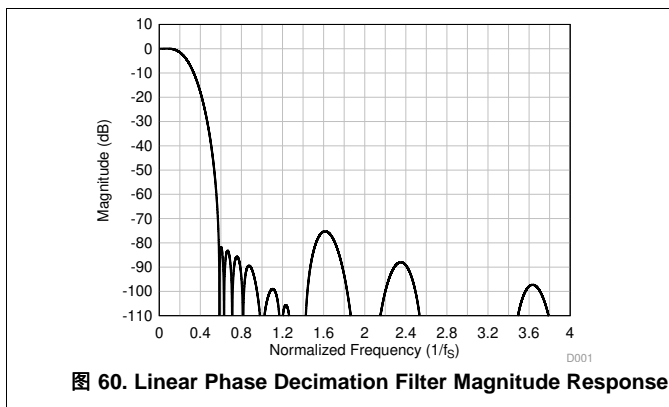


表 28. Linear Phase Decimation Filter Specifications

PARAMETER	TEST CONDITIONS	MIN	TYP	MAX	UNIT
Pass-band ripple	Frequency range is 0 to $0.113 \times f_s$	-0.05		0.05	dB
Stop-band attenuation	Frequency range is $0.58 \times f_s$ to $2 \times f_s$	75.0			dB
	Frequency range is $2 \times f_s$ onwards	88.0			
Group Delay or Latency	Frequency range is 0 to $0.113 \times f_s$		5.9		$1/f_s$

8.3.7.7.2 Low-Latency Filters

For applications where low latency with minimal phase deviation (within the audio band) is critical, the low-latency decimation filters on the PCM6xx0-Q1 can be used. The device supports these filters with a group delay of approximately seven samples with an almost linear phase response within the $0.365 \times f_s$ frequency band. This section provides the filter performance specifications and various plots for all supported output sampling rates for the low-latency filters.

8.3.7.7.2.1 Sampling Rate: 16 kHz or 14.7 kHz

图 62 shows the magnitude response and 图 63 shows the pass-band ripple and phase deviation for a decimation filter with a sampling rate of 16 kHz or 14.7 kHz. 表 29 lists the specifications for a decimation filter with a 16-kHz or 14.7-kHz sampling rate.

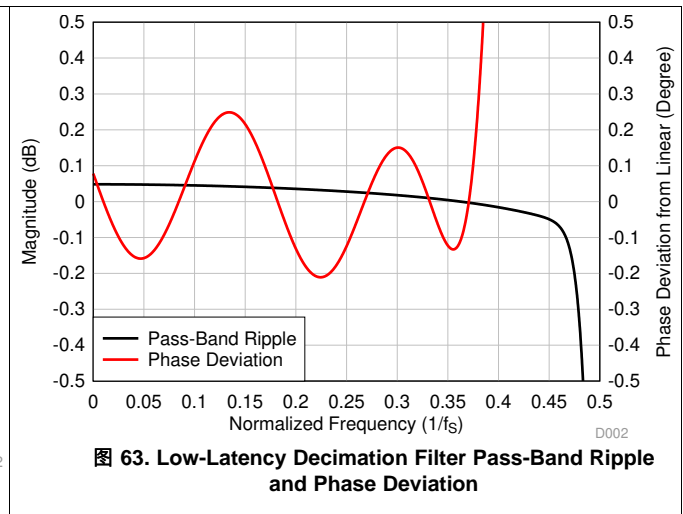
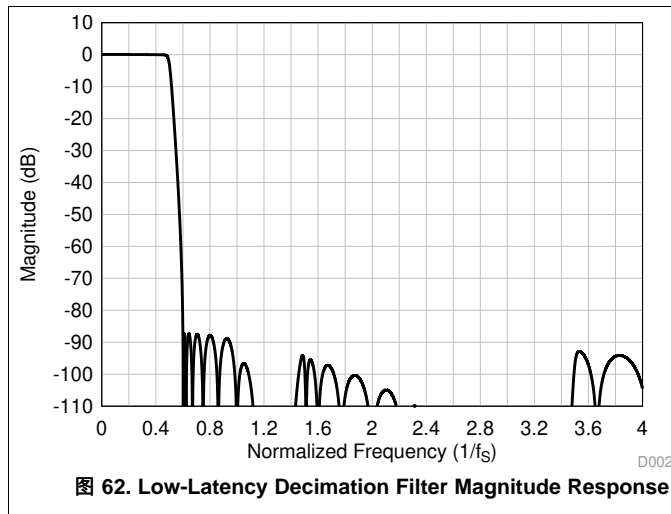


表 29. Low-Latency Decimation Filter Specifications

PARAMETER	TEST CONDITIONS	MIN	TYP	MAX	UNIT
Pass-band ripple	Frequency range is 0 to $0.451 \times f_s$	-0.05		0.05	dB
Stop-band attenuation	Frequency range is $0.61 \times f_s$ onwards	87.3			dB
Group delay or latency	Frequency range is 0 to $0.363 \times f_s$		7.6		$1/f_s$
Group delay deviation	Frequency range is 0 to $0.363 \times f_s$	-0.022		0.022	$1/f_s$
Phase deviation	Frequency range is 0 to $0.363 \times f_s$	-0.21		0.25	Degrees

ADVANCE INFORMATION

8.3.7.7.2.2 Sampling Rate: 24 kHz or 22.05 kHz

图 64 shows the magnitude response and 图 65 shows the pass-band ripple and phase deviation for a decimation filter with a sampling rate of 24 kHz or 22.05 kHz. 表 30 lists the specifications for a decimation filter with a 24-kHz or 22.05-kHz sampling rate.

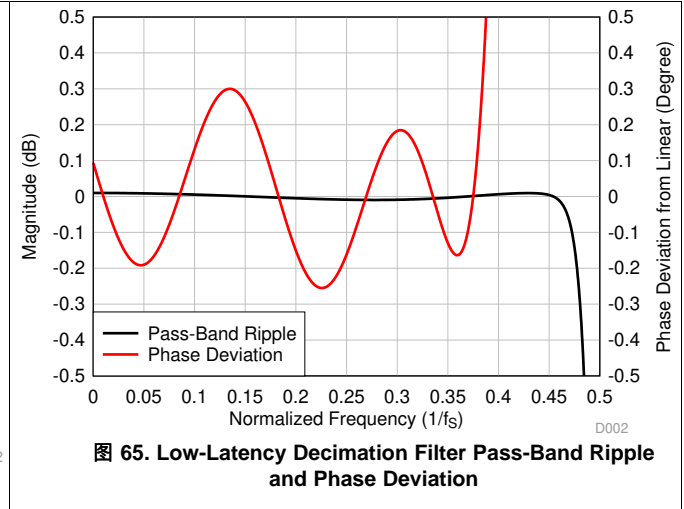
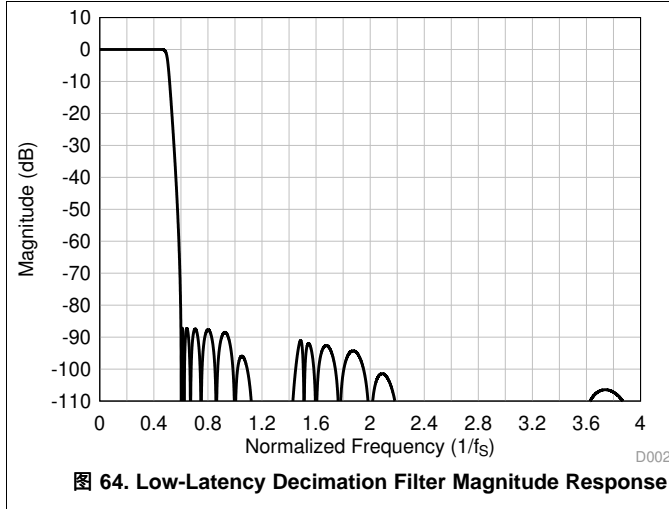


表 30. Low-Latency Decimation Filter Specifications

PARAMETER	TEST CONDITIONS	MIN	TYP	MAX	UNIT
Pass-band ripple	Frequency range is 0 to $0.459 \times f_s$	-0.01		0.01	dB
Stop-band attenuation	Frequency range is $0.6 \times f_s$ onwards	87.2			dB
Group delay or latency	Frequency range is 0 to $0.365 \times f_s$		7.5		$1/f_s$
Group delay deviation	Frequency range is 0 to $0.365 \times f_s$	-0.026		0.026	$1/f_s$
Phase deviation	Frequency range is 0 to $0.365 \times f_s$	-0.26		0.30	Degrees

8.3.7.7.2.3 Sampling Rate: 32 kHz or 29.4 kHz

图 66 shows the magnitude response and 图 67 shows the pass-band ripple and phase deviation for a decimation filter with a sampling rate of 32 kHz or 29.4 kHz. 表 31 lists the specifications for a decimation filter with a 32-kHz or 29.4-kHz sampling rate.

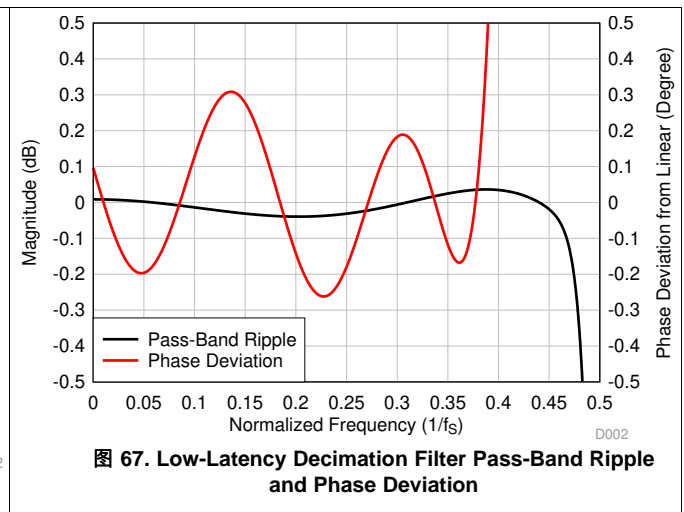
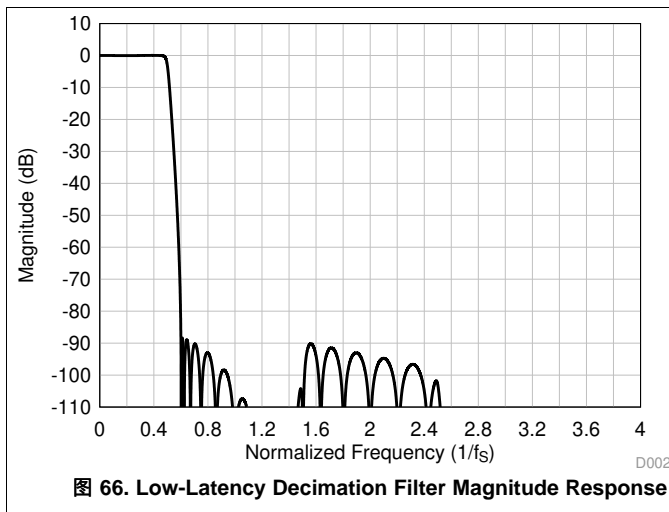


表 31. Low-Latency Decimation Filter Specifications

PARAMETER	TEST CONDITIONS	MIN	TYP	MAX	UNIT
Pass-band ripple	Frequency range is 0 to $0.457 \times f_S$	-0.04		0.04	dB
Stop-band attenuation	Frequency range is $0.6 \times f_S$ onwards	88.3			dB
Group delay or latency	Frequency range is 0 to $0.368 \times f_S$		8.7		$1/f_S$
Group delay deviation	Frequency range is 0 to $0.368 \times f_S$	-0.026		0.026	$1/f_S$
Phase deviation	Frequency range is 0 to $0.368 \times f_S$	-0.26		0.31	Degrees

8.3.7.7.2.4 Sampling Rate: 48 kHz or 44.1 kHz

图 68 shows the magnitude response and 图 69 shows the pass-band ripple and phase deviation for a decimation filter with a sampling rate of 48 kHz or 44.1 kHz. 表 32 lists the specifications for a decimation filter with a 48-kHz or 44.1-kHz sampling rate.

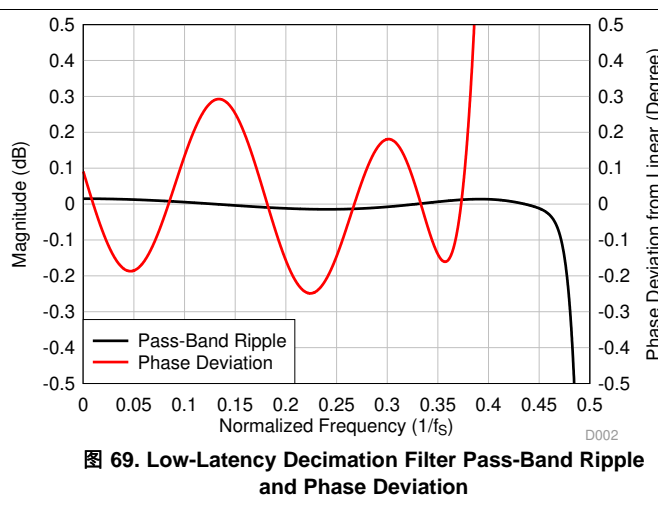
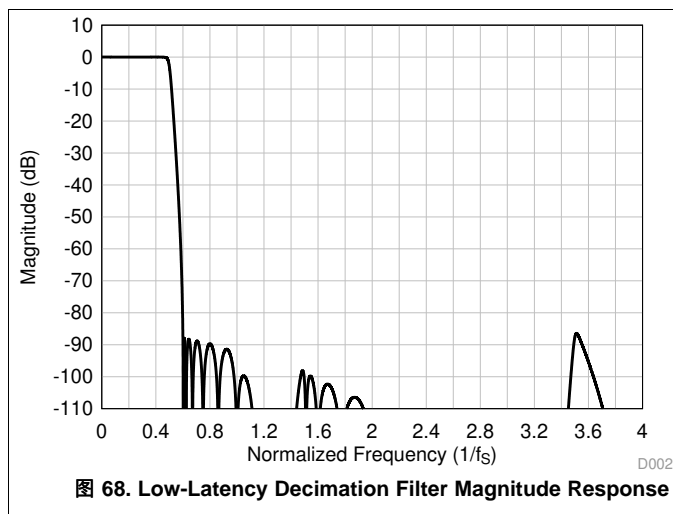


表 32. Low-Latency Decimation Filter Specifications

PARAMETER	TEST CONDITIONS	MIN	TYP	MAX	UNIT
Pass-band ripple	Frequency range is 0 to $0.452 \times f_S$	-0.015		0.015	dB
Stop-band attenuation	Frequency range is $0.6 \times f_S$ onwards	86.4			dB
Group delay or latency	Frequency range is 0 to $0.365 \times f_S$		7.7		$1/f_S$
Group delay deviation	Frequency range is 0 to $0.365 \times f_S$	-0.027		0.027	$1/f_S$
Phase deviation	Frequency range is 0 to $0.365 \times f_S$	-0.25		0.30	Degrees

ADVANCE INFORMATION

8.3.7.7.2.5 Sampling Rate: 96 kHz or 88.2 kHz

图 70 shows the magnitude response and 图 71 shows the pass-band ripple and phase deviation for a decimation filter with a sampling rate of 96 kHz or 88.2 kHz. 表 33 lists the specifications for a decimation filter with a 96-kHz or 88.2-kHz sampling rate.

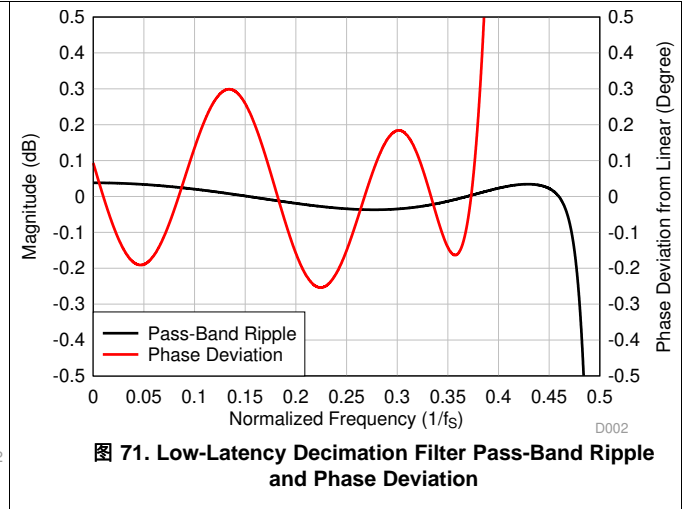
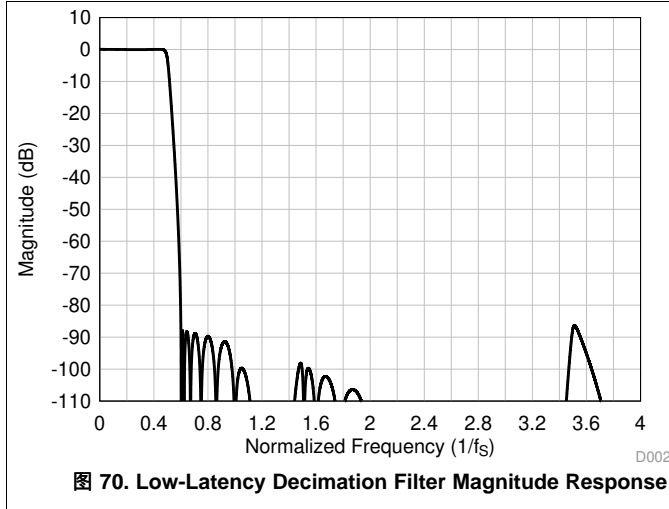


表 33. Low-Latency Decimation Filter Specifications

PARAMETER	TEST CONDITIONS	MIN	TYP	MAX	UNIT
Pass-band ripple	Frequency range is 0 to $0.466 \times f_s$	-0.04		0.04	dB
Stop-band attenuation	Frequency range is $0.6 \times f_s$ onwards	86.3			dB
Group delay or latency	Frequency range is 0 to $0.365 \times f_s$		7.7		$1/f_s$
Group delay deviation	Frequency range is 0 to $0.365 \times f_s$	-0.027		0.027	$1/f_s$
Phase deviation	Frequency range is 0 to $0.365 \times f_s$	-0.26		0.30	Degrees

8.3.7.7.2.6 Sampling Rate: 192 kHz or 176.4 kHz

图 72 shows the magnitude response and 图 73 shows the pass-band ripple and phase deviation for a decimation filter with a sampling rate of 192 kHz or 176.4 kHz. 表 34 lists the specifications for a decimation filter with a 192-kHz or 176.4-kHz sampling rate.

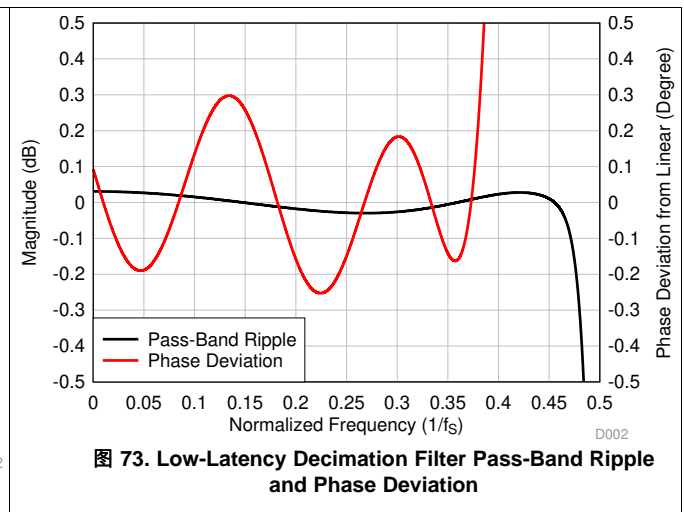
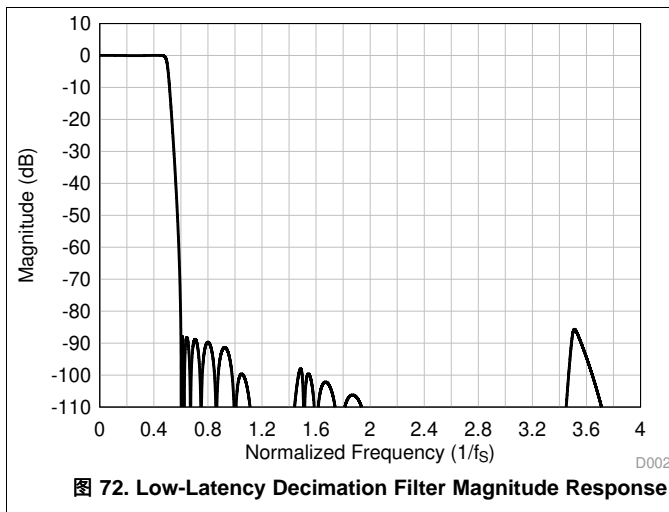


表 34. Low-Latency Decimation Filter Specifications

PARAMETER	TEST CONDITIONS	MIN	TYP	MAX	UNIT
Pass-band ripple	Frequency range is 0 to $463 \times f_s$	-0.03		0.03	dB
Stop-band attenuation	Frequency range is $0.6 \times f_s$ onwards	85.6			dB
Group delay or latency	Frequency range is 0 to $0.365 \times f_s$		7.7		$1/f_s$
Group delay deviation	Frequency range is 0 to $0.365 \times f_s$	-0.027		0.027	$1/f_s$
Phase deviation	Frequency range is 0 to $0.365 \times f_s$	-0.26		0.30	Degrees

8.3.7.7.3 Ultra-Low-Latency Filters

For applications where ultra-low latency (within the audio band) is critical, the ultra-low-latency decimation filters on the PCM6xx0-Q1 can be used. The device supports these filters with a group delay of approximately four samples with an almost linear phase response within the $0.325 \times f_s$ frequency band. This section provides the filter performance specifications and various plots for all supported output sampling rates for the ultra-low-latency filters.

8.3.7.7.3.1 Sampling Rate: 16 kHz or 14.7 kHz

图 74 shows the magnitude response and 图 75 shows the pass-band ripple and phase deviation for a decimation filter with a sampling rate of 16 kHz or 14.7 kHz. 表 35 lists the specifications for a decimation filter with a 16-kHz or 14.7-kHz sampling rate.

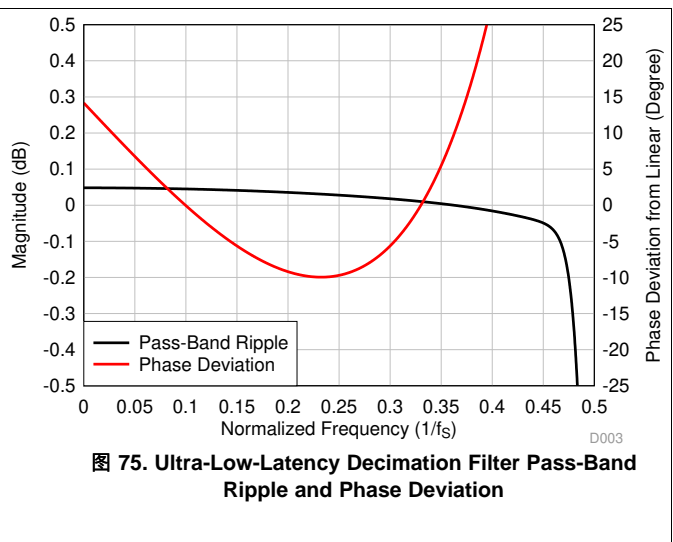
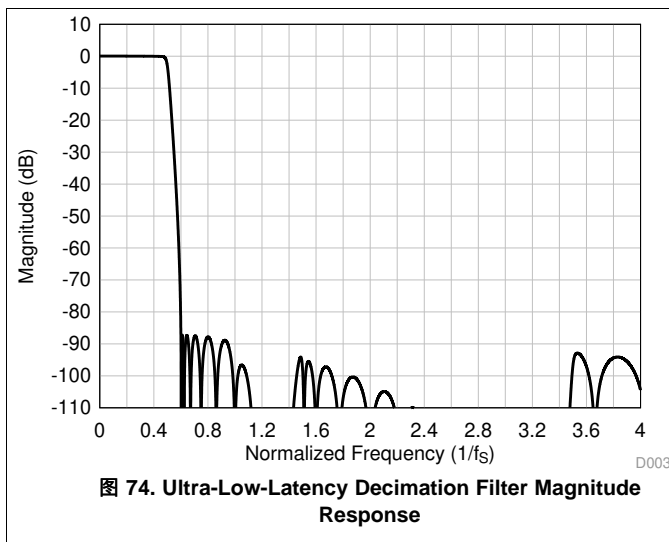


表 35. Ultra-Low-Latency Decimation Filter Specifications

PARAMETER	TEST CONDITIONS	MIN	TYP	MAX	UNIT
Pass-band ripple	Frequency range is 0 to $0.45 \times f_s$	-0.05		0.05	dB
Stop-band attenuation	Frequency range is $0.6 \times f_s$ onwards	87.2			dB
Group delay or latency	Frequency range is 0 to $0.325 \times f_s$		4.3		$1/f_s$
Group delay deviation	Frequency range is 0 to $0.325 \times f_s$	-0.512		0.512	$1/f_s$
Phase deviation	Frequency range is 0 to $0.325 \times f_s$	-10.0		14.2	Degrees

8.3.7.7.3.2 Sampling Rate: 24 kHz or 22.05 kHz

图 76 shows the magnitude response and 图 77 shows the pass-band ripple and phase deviation for a decimation filter with a sampling rate of 24 kHz or 22.05 kHz. 表 36 lists the specifications for a decimation filter with a 24-kHz or 22.05-kHz sampling rate.

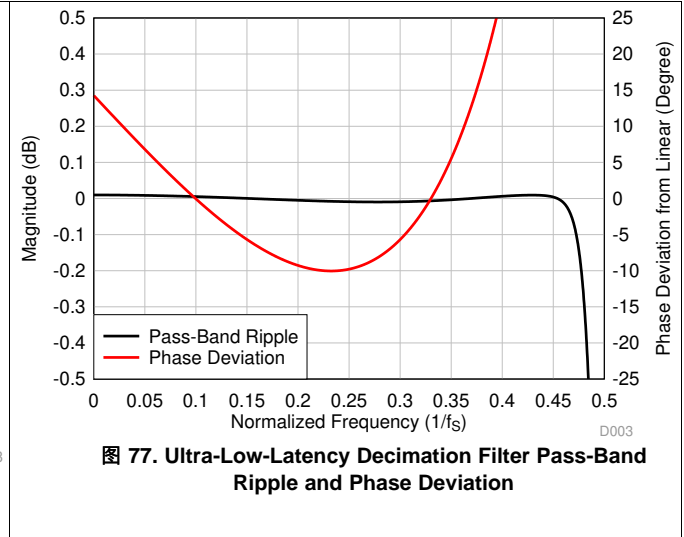
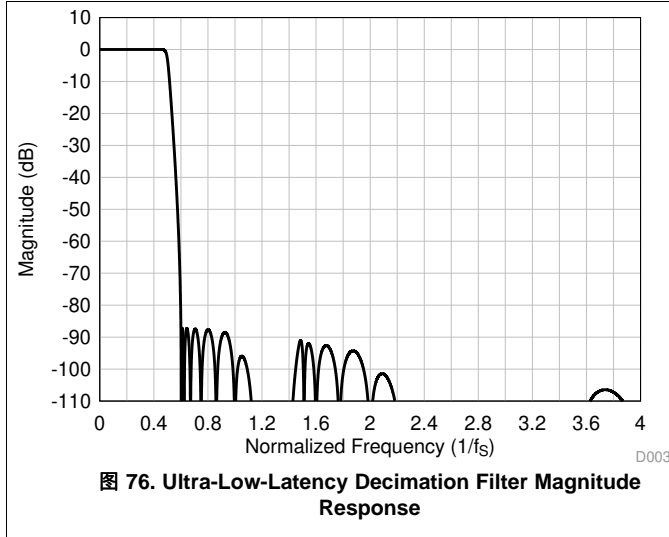


表 36. Ultra-Low-Latency Decimation Filter Specifications

PARAMETER	TEST CONDITIONS	MIN	TYP	MAX	UNIT
Pass-band ripple	Frequency range is 0 to $0.46 \times f_s$	-0.01		0.01	dB
Stop-band attenuation	Frequency range is $0.6 \times f_s$ onwards	87.1			dB
Group delay or latency	Frequency range is 0 to $0.325 \times f_s$		4.1		$1/f_s$
Group delay deviation	Frequency range is 0 to $0.325 \times f_s$	-0.514		0.514	$1/f_s$
Phase deviation	Frequency range is 0 to $0.325 \times f_s$	-10.0		14.3	Degrees

8.3.7.7.3.3 Sampling Rate: 32 kHz or 29.4 kHz

图 78 shows the magnitude response and 图 79 shows the pass-band ripple and phase deviation for a decimation filter with a sampling rate of 32 kHz or 29.4 kHz. 表 37 lists the specifications for a decimation filter with an 32-kHz or 29.4-kHz sampling rate.

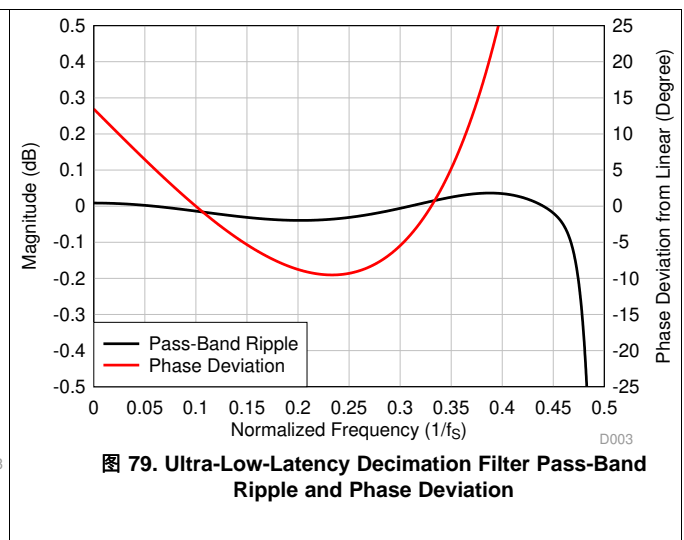
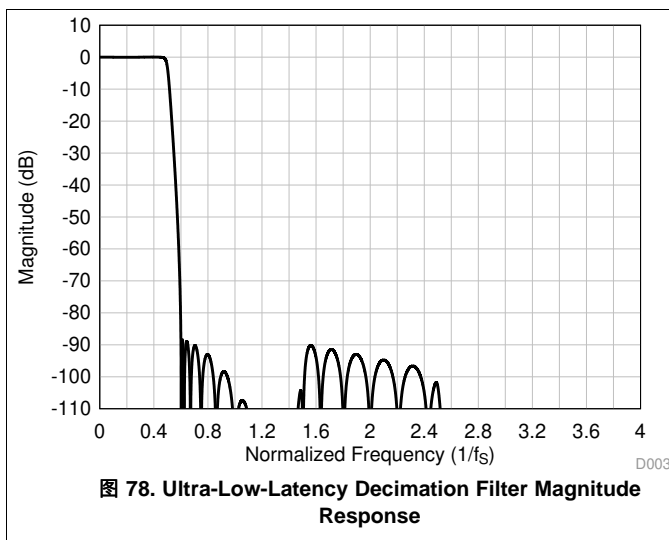


表 37. Ultra-Low-Latency Decimation Filter Specifications

PARAMETER	TEST CONDITIONS	MIN	TYP	MAX	UNIT
Pass-band ripple	Frequency range is 0 to $0.457 \times f_S$	-0.04		0.04	dB
Stop-band attenuation	Frequency range is $0.6 \times f_S$ onwards	88.3			dB
Group delay or latency	Frequency range is 0 to $0.325 \times f_S$		5.2		$1/f_S$
Group delay deviation	Frequency range is 0 to $0.325 \times f_S$	-0.492		0.492	$1/f_S$
Phase deviation	Frequency range is 0 to $0.325 \times f_S$	-9.5		13.5	Degrees

8.3.7.7.3.4 Sampling Rate: 48 kHz or 44.1 kHz

图 80 shows the magnitude response and 图 81 shows the pass-band ripple and phase deviation for a decimation filter with a sampling rate of 48 kHz or 44.1 kHz. 表 38 lists the specifications for a decimation filter with a 48-kHz or 44.1-kHz sampling rate.

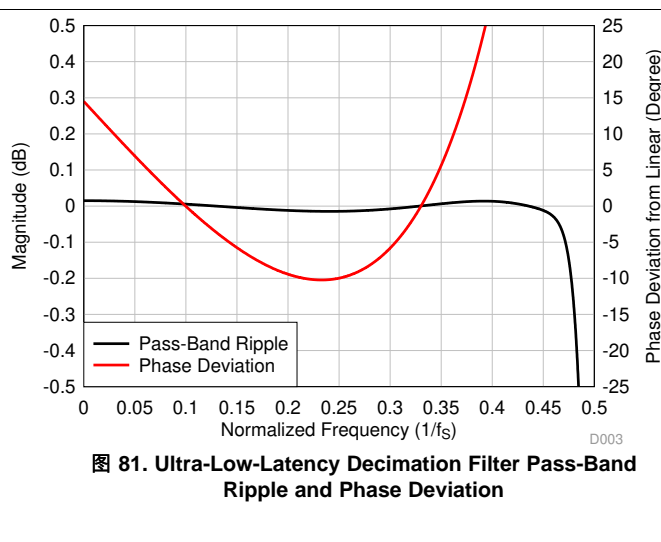
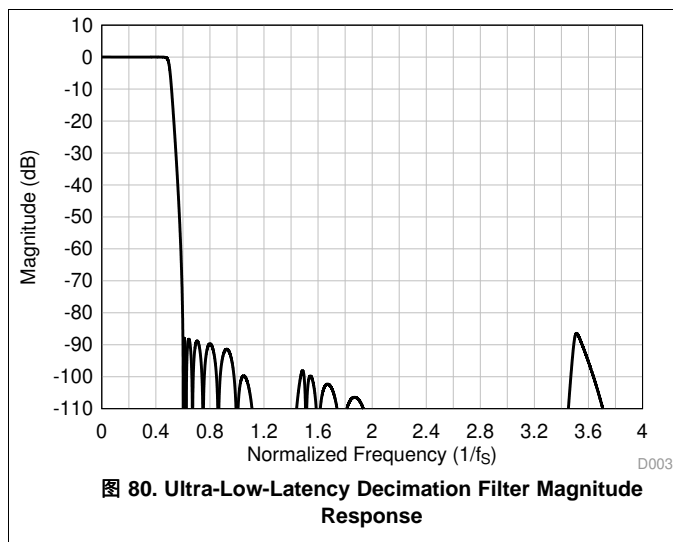


表 38. Ultra-Low-Latency Decimation Filter Specifications

PARAMETER	TEST CONDITIONS	MIN	TYP	MAX	UNIT
Pass-band ripple	Frequency range is 0 to $0.452 \times f_S$	-0.015		0.015	dB
Stop-band attenuation	Frequency range is $0.6 \times f_S$ onwards	86.4			dB
Group delay or latency	Frequency range is 0 to $0.325 \times f_S$		4.1		$1/f_S$
Group delay deviation	Frequency range is 0 to $0.325 \times f_S$	-0.525		0.525	$1/f_S$
Phase deviation	Frequency range is 0 to $0.325 \times f_S$	-10.3		14.5	Degrees

ADVANCE INFORMATION

8.3.7.7.3.5 Sampling Rate: 96 kHz or 88.2 kHz

图 82 shows the magnitude response and 图 83 shows the pass-band ripple and phase deviation for a decimation filter with a sampling rate of 96 kHz or 88.2 kHz. 表 39 lists the specifications for a decimation filter with a 96-kHz or 88.2-kHz sampling rate.

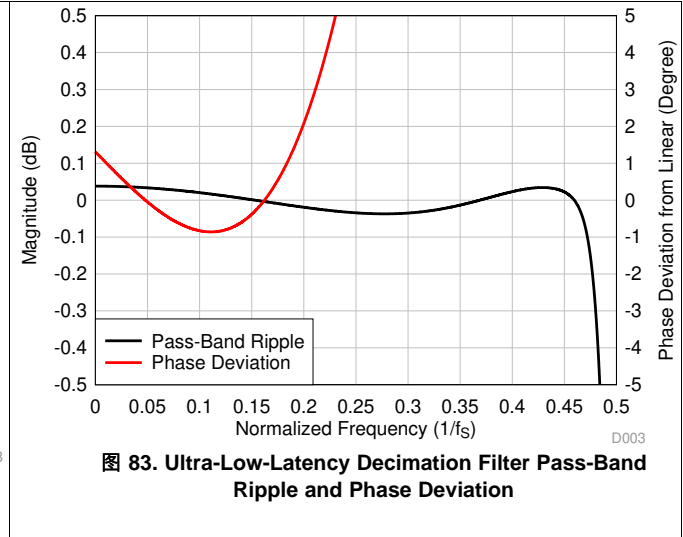
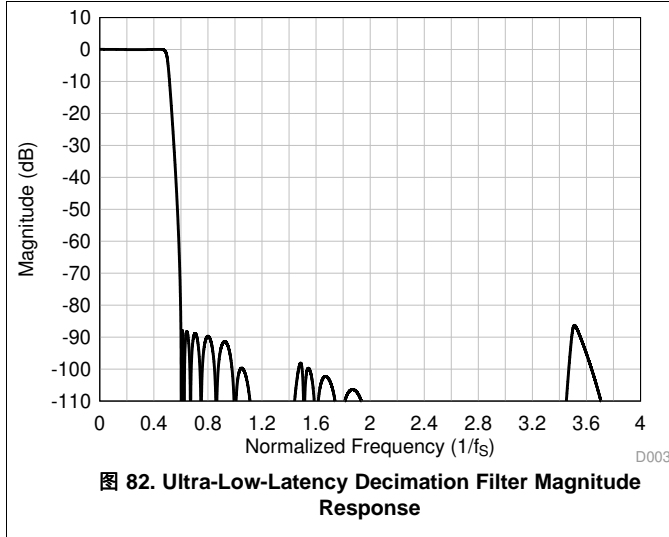


表 39. Ultra-Low-Latency Decimation Filter Specifications

PARAMETER	TEST CONDITIONS	MIN	TYP	MAX	UNIT
Pass-band ripple	Frequency range is 0 to $0.466 \times f_s$	-0.04		0.04	dB
Stop-band attenuation	Frequency range is $0.6 \times f_s$ onwards	86.3			dB
Group delay or latency	Frequency range is 0 to $0.1625 \times f_s$		3.7		$1/f_s$
Group delay deviation	Frequency range is 0 to $0.1625 \times f_s$	-0.091		0.091	$1/f_s$
Phase deviation	Frequency range is 0 to $0.1625 \times f_s$	-0.86		1.30	Degrees

8.3.7.7.3.6 Sampling Rate: 192 kHz or 176.4 kHz

图 84 shows the magnitude response and 图 85 shows the pass-band ripple and phase deviation for a decimation filter with a sampling rate of 192 kHz or 176.4 kHz. 表 40 lists the specifications for a decimation filter with a 192-kHz or 176.4-kHz sampling rate.

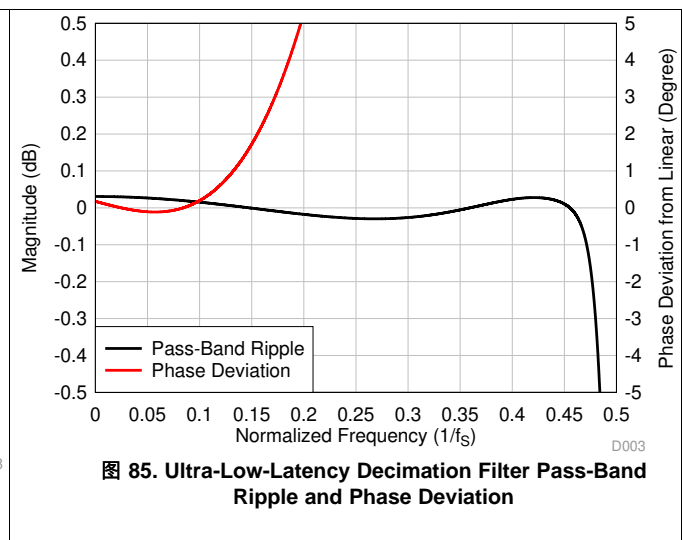
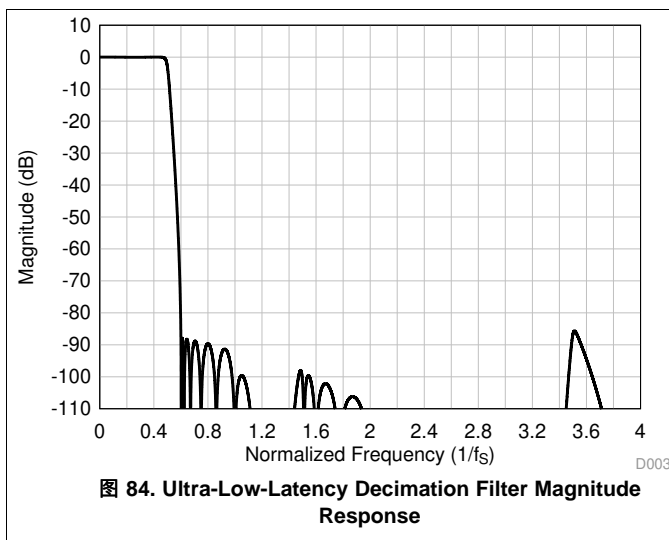


表 40. Ultra-Low-Latency Decimation Filter Specifications

PARAMETER	TEST CONDITIONS	MIN	TYP	MAX	UNIT
Pass-band ripple	Frequency range is 0 to $0.463 \times f_s$	-0.03		0.03	dB
Stop-band attenuation	Frequency range is $0.6 \times f_s$ onwards	85.6			dB
Group delay or latency	Frequency range is 0 to $0.085 \times f_s$		3.7		$1/f_s$
Group delay deviation	Frequency range is 0 to $0.085 \times f_s$	-0.024		0.024	$1/f_s$
Phase deviation	Frequency range is 0 to $0.085 \times f_s$	-0.12		0.18	Degrees

8.3.7.7.3.7 Sampling Rate: 384 kHz or 352.8 kHz

图 86 shows the magnitude response and 图 87 shows the pass-band ripple and phase deviation for a decimation filter with a sampling rate of 384 kHz or 352.8 kHz. 表 41 lists the specifications for a decimation filter with a 384-kHz or 352.8-kHz sampling rate.

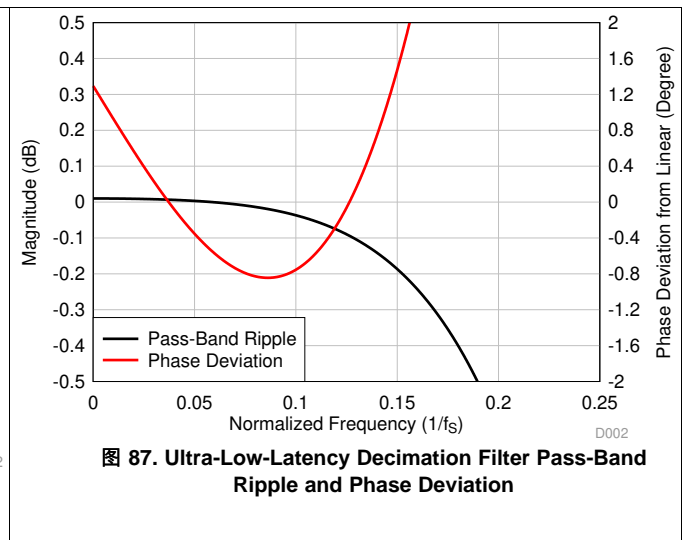
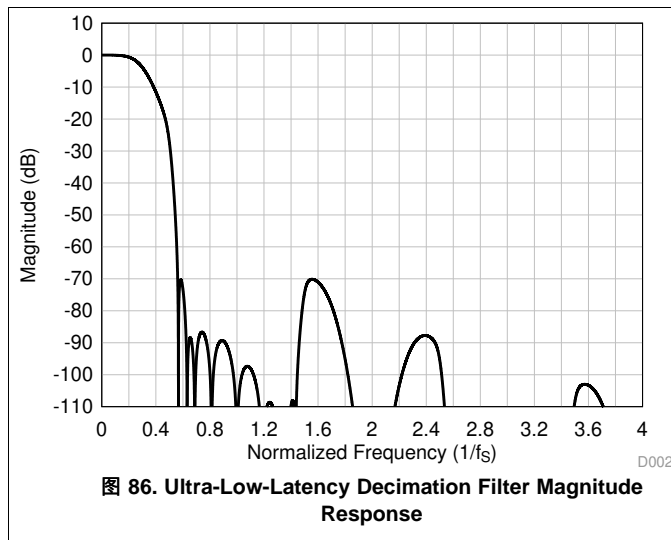


表 41. Ultra-Low-Latency Decimation Filter Specifications

PARAMETER	TEST CONDITIONS	MIN	TYP	MAX	UNIT
Pass-band ripple	Frequency range is 0 to $0.1 \times f_s$	-0.04		0.01	dB
Stop-band attenuation	Frequency range is $0.56 \times f_s$ onwards	70.1			dB
Group delay or latency	Frequency range is 0 to $0.157 \times f_s$		4.1		$1/f_s$
Group delay deviation	Frequency range is 0 to $0.157 \times f_s$	-0.18		0.18	$1/f_s$
Phase deviation	Frequency range is 0 to $0.157 \times f_s$	-0.85		2.07	Degrees

ADVANCE INFORMATION

8.3.8 Automatic Gain Controller (AGC)

The device includes an automatic gain controller (AGC) for ADC recording that must be used only for the AC-coupled input configuration. As shown in 图 88, the AGC can be used to maintain a nominally constant output level when recording speech. Instead of manually setting the channel gain in AGC mode, the circuitry automatically adjusts the channel gain when the input signal becomes overly loud or very weak, such as when a person speaking into a microphone moves closer to or farther from the microphone. The AGC algorithm has several programmable parameters, including target level, maximum gain allowed, attack and release (or decay) time constants, and noise thresholds that allow the algorithm to be fine-tuned for any particular application.

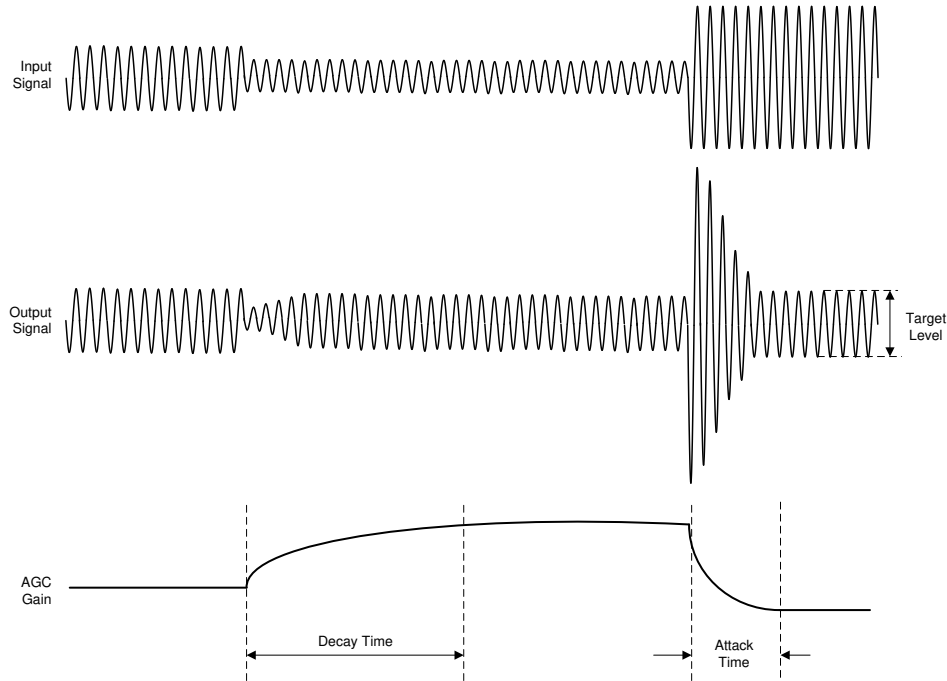


图 88. AGC Characteristics

The target level (AGC_LVL) represents the nominal output level at which the AGC attempts to hold the ADC output signal level. The PCM6xx0-Q1 allows programming of different target levels, which can be programmed from -6 dB to -36 dB relative to a full-scale signal, and the AGC_LVL default value is set to -34 dB. The target level is recommended to be set with enough margin to prevent clipping when loud sounds occur. 表 42 lists the AGC target level configuration settings.

表 42. AGC Target Level Programmable Settings

P0_R112_D[7:4] : AGC_LVL[3:0]	AGC TARGET LEVEL FOR OUTPUT
0000	The AGC target level is the -6 -dB output signal level
0001	The AGC target level is the -8 -dB output signal level
0010	The AGC target level is the -10 -dB output signal level
...	...
1110 (default)	The AGC target level is the -34 -dB output signal level
1111	The AGC target level is the -36 -dB output signal level

The maximum gain allowed (AGC_MAXGAIN) gives flexibility to the designer to restrict the maximum gain applied by the AGC. This feature limits the channel gain in situations where environmental noise is greater than the programmed noise threshold. The AGC_MAXGAIN can be programmed from 3 dB to 42 dB with steps of 3 dB and the default value is set to 24 dB. 表 43 lists the AGC_MAXGAIN configuration settings.

表 43. AGC Maximum Gain Programmable Settings

P0_R112_D[3:0] : AGC_MAXGAIN[3:0]	AGC MAXIMUM GAIN ALLOWED
0000	The AGC maximum gain allowed is 3 dB
0001	The AGC maximum gain allowed is 6 dB
0010	The AGC maximum gain allowed is 9 dB
...	...
0111 (default)	The AGC maximum gain allowed is 24 dB
...	...
1110	The AGC maximum gain allowed is 39 dB
1111	The AGC maximum gain allowed is 42 dB

For further details on the AGC various configurable parameter and application use, see the [Using the Automatic Gain Controller \(AGC\) in PCM6xx0-Q1 application report](#).

8.3.9 Interrupts, Status, and Digital I/O Pin Multiplexing

Certain events in the device may require host processor intervention and can be used to trigger interrupts to the host processor. Such event are an audio serial interface (ASI) bus error and input DC fault diagnostic faults. The device powers down the record channels if any faults are detected with the ASI bus error clocks, such as:

- Invalid FSYNC frequency
- Invalid SBCLK to FSYNC ratio
- Long pauses of the SBCLK or FSYNC clocks

When an ASI bus clock error is detected, the device shuts down the record channel as quickly as possible. After all ASI bus clock errors are resolved, the device volume ramps back to its previous state to recover the record channel. During an ASI bus clock error, the internal interrupt request (IRQ) interrupt signal asserts low if the clock error interrupt mask register bit INT_MASK0[7], P0_R51_D7 is set low. The clock fault is also available for readback in the live fault status register bit INT_LIVE0, P1_R44 as well as latched to the fault status register bit INT_LTCH0, P0_R44, which is a read-only register. Reading the latched fault status register, INT_LTCH0, clears all latched fault statuses. The device can be additionally configured to route the internal IRQ interrupt signal on the GPIOx pins and also can be configured as an open-drain output so that these pins can be wire-ANDed to the open-drain interrupt outputs of other devices.

When an input DC fault event is detected, the internal IRQ signal is asserted if the interrupt mask registers INT_MASK1, P0_R42 and INT_MASK2, P0_R43 are configured appropriately to unmask all the desired fault diagnostics interrupts. Each input channel can be independently set for an interrupt mask. 表 44 and 表 45 list the mask settings available for the input DC diagnostics fault interrupts.

表 44. Interrupt Mask Register-1 for DC Faults Diagnostic

P0_R42 : INT_MASK1	INTERRUPT MASK REGISTER 1 FOR DC FAULTS DIAGNOSTIC INTERRUPTS
INT_MASK1[7]	Channel 1 input DC faults diagnostic interrupt mask and unmask register bit
INT_MASK1[6]	Channel 2 input DC faults diagnostic interrupt mask and unmask register bit
INT_MASK1[5]	Channel 3 input DC faults diagnostic interrupt mask and unmask register bit
INT_MASK1[4]	Channel 4 input DC faults diagnostic interrupt mask and unmask register bit
INT_MASK1[3]	Channel 5 input DC faults diagnostic interrupt mask and unmask register bit
INT_MASK1[2]	Channel 6 input DC faults diagnostic interrupt mask and unmask register bit
INT_MASK1[1]	Short to VBAT_IN (when VBAT_IN is lower than MICBIAS) fault interrupt mask and unmask register bit
INT_MASK1[0]	Reserved

表 45. Interrupt Mask Register-2 for DC Faults Diagnostic

P0_R43 : INT_MASK2	INTERRUPT MASK REGISTER 2 FOR DC FAULTS DIAGNOSTIC INTERRUPTS
INT_MASK2[7]	Open input fault interrupt mask and unmask register bit for all channels
INT_MASK2[6]	Inputs shorted each other fault interrupt mask and unmask register bit for all channels
INT_MASK2[5]	IN1P input shorted to ground fault interrupt mask and unmask register bit for all channels
INT_MASK2[4]	IN1M input shorted to ground fault interrupt mask and unmask register bit for all channels
INT_MASK2[3]	IN1P input shorted to MICBIAS fault interrupt mask and unmask register bit for all channels
INT_MASK2[2]	IN1M input shorted to MICBIAS fault interrupt mask and unmask register bit for all channels
INT_MASK2[1]	IN1P input shorted to VBAT_IN fault interrupt mask and unmask register bit for all channels
INT_MASK2[0]	IN1M input shorted to VBAT_IN fault interrupt mask and unmask register bit for all channels

The device supports the channel-specific input DC fault latched status registers for all channels from CH1_LTCH, P0_R46 to CH6_LTCH, P0_R51, which are read-only registers. The device also has a consolidated summary status register across channels for the input DC latched fault status register, CHx_LTCH, P0_R45 that the host can read to quickly know which channel fault has occurred. Reading the latched fault status registers, CH1_LTCH to CH6_LTCH, clears all the latched fault status including the summary status register, CHx_LTCH. 表 46 shows various input DC fault diagnostics status bits that are supported by the device.

表 46. Input DC Faults Diagnostic Latched Status

P0_R46 : CH1_LTCH	CHANNEL 1 INPUT FAULTS DIAGNOSTIC LATCHED STATUS
CH1_LTCH[7]	Channel 1 open input fault detection status bit (self-clearing bit)
CH1_LTCH[6]	Channel 1 inputs shorted together fault detection status bit (self-clearing bit)
CH1_LTCH[5]	Channel 1 IN1P input shorted to ground fault detection status bit (self-clearing bit)
CH1_LTCH[4]	Channel 1 IN1M input shorted to ground fault detection status bit (self-clearing bit)
CH1_LTCH[3]	Channel 1 IN1P input shorted to MICBIAS fault detection status bit (self-clearing bit)
CH1_LTCH[2]	Channel 1 IN1M input shorted to MICBIAS fault detection status bit (self-clearing bit)
CH1_LTCH[1]	Channel 1 IN1P input shorted to VBAT_IN fault detection status bit (self-clearing bit)
CH1_LTCH[0]	Channel 1 IN1M input shorted to VBAT_IN fault detection status bit (self-clearing bit)

Similarly, the DC faults diagnostic latched status for input channel 2 to channel 6 can be monitored using the CH2_LTCH (P0_R47) to CH6_LTCH (P0_R51) registers, respectively.

The device GPIOx pins can be additionally configured to route the internal IRQ interrupt signal on the GPIOx pins and also can be configured as an open-drain output so that this pin can be wire-ANDed to the open-drain interrupt outputs of other devices.

The IRQ interrupt signal can either be configured as an active low or active high polarity by setting the INT_POL, P0_R40_D7 register bit. This signal can also be configured as a single pulse or a series of pulses by programming the INT_EVENT[1:0], P0_R40_D[6:5] register bits. If the interrupts are configured as a series of pulses, the events trigger the start of pulses that stop when the latched fault status register is read to determine the cause of the interrupt.

The device also supports read-only live status registers that determine if all the channels are powered up or down and if the device is in sleep mode or not. These status registers are located in P0_R118, DEV_STS0 and P0_R119, DEV_STS1.

The device has a GPIO1 multifunction pin that can be configured for a desired specific function. Additionally the PCM6x40-Q1 has two more GPIO pins and two GPI pins supported that can be used in the system for various other features. 表 47 shows all possible allocation of these multifunction pins for all the various features.

表 47. Multifunction Pin Assignments

ROW	PIN FUNCTION	GPIO1	GPIO2	GPIO3	GPI1	GPI2
—	—	GPIO1_CFG [4:0]	GPIO2_CFG [4:0]	GPIO3_CFG [4:0]	GPI1_CFG[4:0]	GPI2_CFG[4:0]
—	—	P0_R33[7:4]	P0_R34[7:4]	P0_R35[7:4]	P0_R36[7:4]	P0_R37[7:4]
A	Pin disabled	S ⁽¹⁾	S (default)	S (default)	S (default)	S (default)
B	General-purpose output (GPO)	S	S	S	NS ⁽²⁾	NS
C	Interrupt output (IRQ)	S (default)	S	S	NS	NS
D	Secondary ASI output (SDOUT2)	S	S	S	NS	NS
F	MiCBIAS on/off input (BIASEN)	S	S	S	S	S
G	General-purpose input (GPI)	S	S	S	S	S
H	Master clock input (MCLK)	S	S	S	S	S
I	ASI daisy-chain input (SDIN)	S	S	S	S	S

(1) S means the feature mentioned in this row is *supported* for the respective GPIO1, GPOx, or GPIx pin mentioned in this column.

(2) NS means the feature mentioned in this row is *not supported* for the respective GPIO1, GPOx, or GPIx pin mentioned in this column.

Each GPIOx pin can be independently set for the desired drive configurations setting using the GPIOx_DRV[3:0] register bits. 表 48 lists the drive configuration settings.

表 48. GPIOx Pins Drive Configuration Settings

P0_R33_D[3:0] : GPIO1_DRV[3:0]	GPIO OUTPUT DRIVE CONFIGURATION SETTINGS FOR GPIO1
000	The GPIO1 pin is set to high impedance (floated)
001	The GPIO1 pin is set to be driven active low or active high
010 (default)	The GPIO1 pin is set to be driven active low or weak high (on-chip pullup)
011	The GPIO1 pin is set to be driven active low or Hi-Z (floated)
100	The GPIO1 pin is set to be driven weak low (on-chip pulldown) or active high
101	The GPIO1 pin is set to be driven Hi-Z (floated) or active high
110 and 111	Reserved (do not use these settings)

Similarly, the GPIO2 and GPIO3 pins can be configured using the GPIO2_DRV(P0_R34) and GPIO3_DRV(P0_R35) register bits, respectively.

When configured as a general-purpose output (GPO), the GPIOx pin values can be driven by writing the GPIO_VAL P0_R38 registers. The GPIO_MON, P0_R39 register can be used to readback the status of the GPIOx and GPIx pins when configured as a general-purpose input (GPI).

8.4 Device Functional Modes

8.4.1 Hardware Shutdown

The device enters hardware shutdown mode when the SHDNZ pin is asserted low or the AVDD supply voltage is not applied to the device. In hardware shutdown mode, the device consumes the minimum quiescent current from the AVDD supply. All configuration registers and programmable coefficients lose their value in this mode, and I²C or SPI communication to the device is not supported.

If the SHDNZ pin is asserted low when the device is in active mode, the device ramps down volume on the record data, powers down the analog and digital blocks, and puts the device into hardware shutdown mode in 25 ms (typical). The device can also be immediately put into hardware shutdown mode from active mode if the SHDNZ_CFG[1:0], P0_R5_D[3:2], register bits are set to 2'b00. After the SHDNZ pin is asserted low, and after the device enters hardware shutdown mode, keep the SHDNZ pin low for at least 1 ms before releasing SHDNZ for further device operation.

Assert the SHDNZ pin high only when the IOVDD supply settles to a steady voltage level. When the SHDNZ pin goes high, the device sets all configuration registers and programmable coefficients to their default values, and then enters sleep mode.

8.4.2 Sleep Mode or Software Shutdown

In sleep mode or software shutdown mode, the device consumes very low quiescent current from the AVDD supply and, at the same time, allows the I²C or SPI communication to wake the device for active operation.

The device can also enter sleep mode when the host device sets the SLEEP_ENZ, P0_R2_D0 bit to 1'b0. If the SLEEP_ENZ bit is asserted low when the device is in active mode, the device ramps down the volume on the record data, powers down the analog and digital blocks, and enters sleep mode. However, the device still continues to retain the last programmed value of the device configuration registers and programmable coefficients.

In sleep mode, do not perform any I²C or SPI transactions, except for exiting sleep mode in order to enter active mode. After entering sleep mode, wait at least 10 ms before starting I²C or SPI transactions to exit sleep mode.

8.4.3 Active Mode

If the host device exits sleep mode by setting the SLEEP_ENZ bit to 1'b1, the device enters active mode. In active mode, I²C or SPI transactions can be done to configure and power-up the device for active operation. After entering active mode, wait at least 1 ms before starting any I²C or SPI transactions in order to allow the device to complete the internal wake-up sequence.

After configuring all other registers for the target application and system settings, configure the input and output channel enable registers, P0_R115 (IN_CH_EN) and P0_R116 (ASI_OUT_CH_EN), respectively. Lastly, configure the device power-up register, P0_R117 (PWR_CFG). All the programmable coefficient values must be written before powering up the respective channel.

In active mode, the power-up and power-down status of various blocks is monitored by reading the read-only device status bits located in the P0_R117 (DEV_STS0) and P0_R118 (DEV_STS1) registers.

8.4.4 Software Reset

A software reset can be done any time by asserting the SW_RESET bit, P0_R1_D0, which is a self-clearing bit. This software reset immediately shuts down the device, and restores all device configuration registers and programmable coefficients to their default values.

8.5 Programming

The device contains configuration registers and programmable coefficients that can be set to the desired values for a specific system and application use. These registers are called *device control registers* and are each eight bits in width, mapped using a page scheme.

Each page contains 128 configuration registers. All device configuration registers are stored in page 0, which is the default page setting at power up (and after a software reset). Page 1 consists of the live status registers and input diagnostic successive-approximation register (SAR) data for advanced diagnostic purposes. All programmable coefficient registers are located in page 2, page 3, and page 4. The current page of the device can be switched to a new desired page by using the PAGE[7:0] bits located in register 0 of every page.

8.5.1 Control Serial Interfaces

The device control registers can be accessed using either I²C or SPI communication to the device.

By monitoring the SDA_SSZ, SCL_MOSI, ADDR0_SCLK, and ADDR1_MISO device pins, which are the multiplexed pins for the I²C or SPI Interface, the device automatically detects whether the host device is using I²C or SPI communication to configure the device. For a given end application, the host device must always use either the I²C or SPI interface, but not both, to configure the device.

8.5.1.1 I²C Control Interface

The device supports the I²C control protocol as a slave device, and is capable of operating in standard mode, fast mode, and fast mode plus. The I²C control protocol requires a 7-bit slave address. The five most significant bits (MSBs) of the slave address are fixed at 10010 and cannot be changed. The two least significant bits (LSBs) are programmable and are controlled by the ADDR0_SCLK and ADDR1_MISO pins. These two pins must always be either pulled to VSS or IOVDD. If the I2C_BRDCAST_EN (P0_R2_D2) bit is set to 1'b1, then the I²C slave address is fixed to 1001000 in order to allow simultaneous I²C broadcast communication to all PCM6xx0-Q1 devices in the system. 表 49 lists the four possible device addresses resulting from this configuration.

表 49. I²C Slave Address Settings

ADDR1_MISO	ADDR0_SCLK	I2C_BRDCAST_EN (P0_R2_D2)	I ² C SLAVE ADDRESS
0	0	0 (default)	1001 000
0	1	0 (default)	1001 001
1	0	0 (default)	1001 010
1	1	0 (default)	1001 011
X	X	1	1001 000

8.5.1.1.1 General I²C Operation

The I²C bus employs two signals, SDA (data) and SCL (clock), to communicate between the integrated circuits in a system using serial data transmission. The address and data 8-bit bytes are transferred MSB first. In addition, each byte transferred on the bus is acknowledged by the receiving device with an acknowledge bit. Each transfer operation begins with the master device driving a START condition on the bus and ends with the master device driving a STOP condition on the bus. The bus uses transitions on the data pin (SDA) when the clock is at logic high to indicate START and STOP conditions. A high-to-low transition on SDA indicates a START, and a low-to-high transition indicates a STOP condition. Normal data-bit transitions must occur within the low time of the clock period.

The master device drives a START condition followed by the 7-bit slave address and the read/write (R/W) bit to open communication with another device and then waits for an acknowledgment condition. The slave device holds SDA low during the acknowledge clock period to indicate acknowledgment. When this step occurs, the master device transmits the next byte of the sequence. Each slave device is addressed by a unique 7-bit slave address plus the R/W bit (1 byte). All compatible devices share the same signals via a bidirectional bus using a wired-AND connection.

There is no limit on the number of bytes that can be transmitted between START and STOP conditions. When the last word transfers, the master device generates a STOP condition to release the bus. 图 89 shows a generic data transfer sequence.

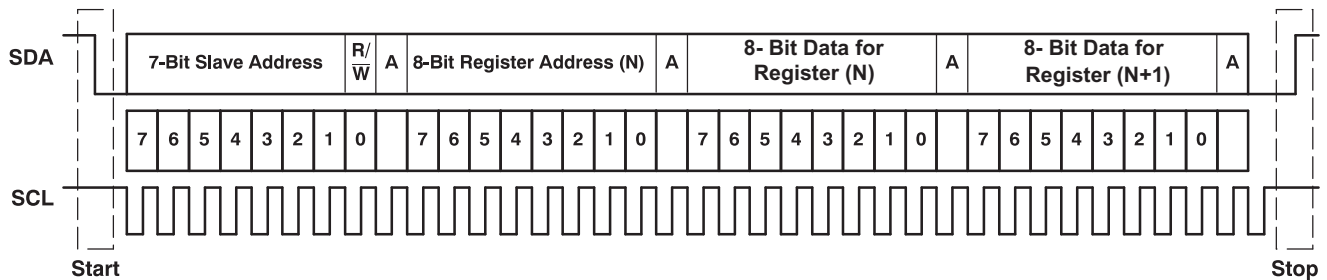


图 89. Typical I²C Sequence

In the system, use external pullup resistors for the SDA and SCL signals to set the logic high level for the bus. The SDA and SCL voltages must not exceed the device supply voltage, IOVDD.

8.5.1.1.2 I²C Single-Byte and Multiple-Byte Transfers

The device I²C interface supports both single-byte and multiple-byte read/write operations for all registers. During multiple-byte read operations, the device responds with data, a byte at a time, starting at the register assigned, as long as the master device continues to respond with acknowledges.

The device supports sequential I²C addressing. For write transactions, if a register is issued followed by data for that register and all the remaining registers that follow, a sequential I²C write transaction takes place. For I²C sequential write transactions, the register issued then serves as the starting point, and the amount of data subsequently transmitted, before a STOP or START condition is transmitted, determines how many registers are written.

8.5.1.1.2.1 I²C Single-Byte Write

As shown in 图 90, a single-byte data write transfer begins with the master device transmitting a START condition followed by the I²C device address and the read/write bit. The read/write bit determines the direction of the data transfer. For a write-data transfer, the read/write bit must be set to 0. After receiving the correct I²C slave address and the read/write bit, the device responds with an acknowledge bit (ACK). Next, the master device transmits the register byte corresponding to the device internal register address being accessed. After receiving the register byte, the device again responds with an acknowledge bit (ACK). Then, the master transmits the byte of data to be written to the specified register. When finished, the slave device responds with an acknowledge bit (ACK). Finally, the master device transmits a STOP condition to complete the single-byte data write transfer.

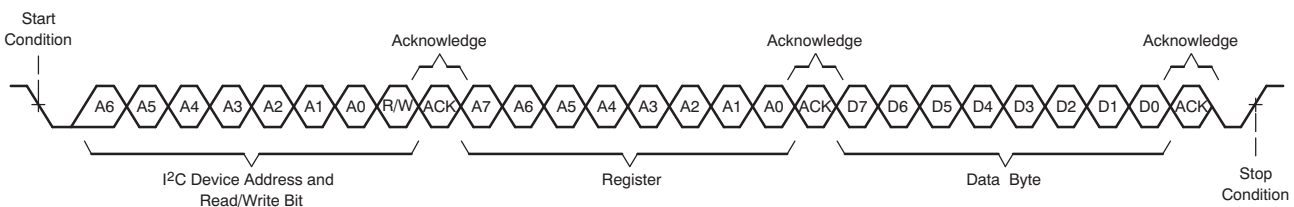


图 90. I²C Single-Byte Write Transfer

8.5.1.1.2.2 I²C Multiple-Byte Write

As shown in 图 91, a multiple-byte data write transfer is identical to a single-byte data write transfer except that multiple data bytes are transmitted by the master device to the slave device. After receiving each data byte, the device responds with an acknowledge bit (ACK). Finally, the master device transmits a STOP condition after the last data-byte write transfer.

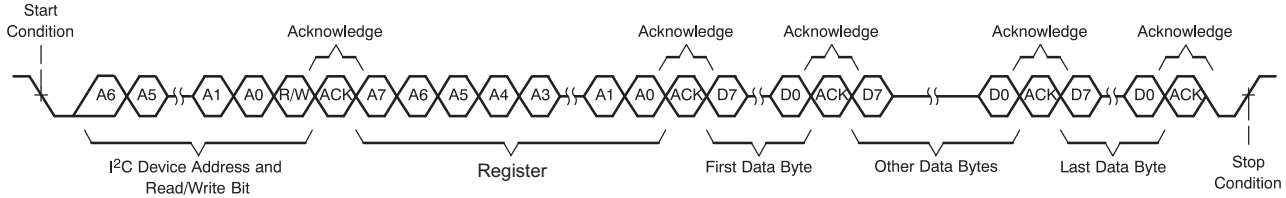


图 91. I²C Multiple-Byte Write Transfer

8.5.1.1.2.3 I²C Single-Byte Read

As shown in 图 92, a single-byte data read transfer begins with the master device transmitting a START condition followed by the I²C slave address and the read/write bit. For the data read transfer, both a write followed by a read are done. Initially, a write is done to transfer the address byte of the internal register address to be read. As a result, the read/write bit is set to 0.

After receiving the slave address and the read/write bit, the device responds with an acknowledge bit (ACK). The master device then sends the internal register address byte, after which the device issues an acknowledge bit (ACK). The master device transmits another START condition followed by the slave address and the read/write bit again. This time, the read/write bit is set to 1, indicating a read transfer. Next, the device transmits the data byte from the register address being read. After receiving the data byte, the master device transmits a not-acknowledge (NACK) followed by a STOP condition to complete the single-byte data read transfer.

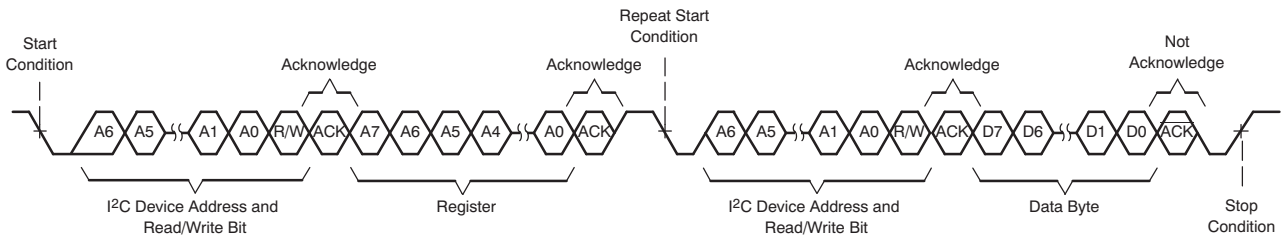


图 92. I²C Single-Byte Read Transfer

8.5.1.1.2.4 I²C Multiple-Byte Read

As shown in 图 93, a multiple-byte data read transfer is identical to a single-byte data read transfer except that multiple data bytes are transmitted by the device to the master device. With the exception of the last data byte, the master device responds with an acknowledge bit after receiving each data byte. After receiving the last data byte, the master device transmits a not-acknowledge (NACK) followed by a STOP condition to complete the data read transfer.

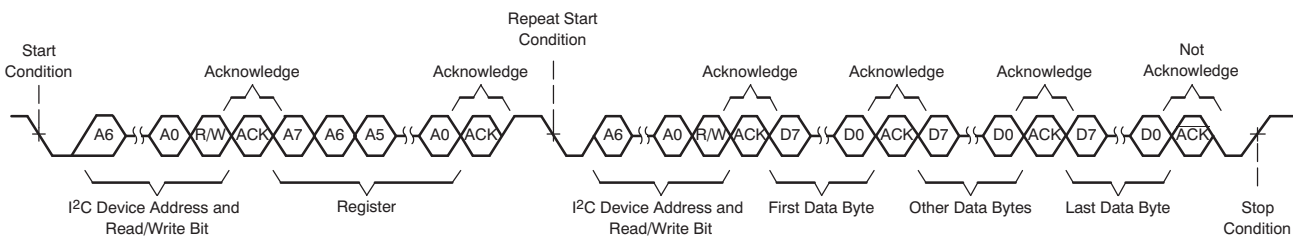


图 93. I²C Multiple-Byte Read Transfer

8.5.1.2 SPI Control Interface

The general SPI protocol allows full-duplex, synchronous, serial communication between a host processor (the master) and peripheral devices (slaves). The SPI master (in this case, the host processor) generates the synchronizing clock (driven onto SCLK) and initiates transmissions by taking the slave-select pin SSZ from high to low. The SPI slave devices (such as the PCM6xx0-Q1) depend on a master to start and synchronize transmissions. A transmission begins when initiated by an SPI master. The byte from the SPI master begins shifting in on the slave MOSI pin under the control of the master serial clock (driven onto SCLK). When the byte shifts in on the MOSI pin, a byte shifts out on the MISO pin to the master shift register.

The PCM6xx0-Q1 support a standard SPI control protocol with a clock polarity setting of 0 (typical microprocessor SPI control bit CPOL = 0) and a clock phase setting of 1 (typical microprocessor SPI control bit CPHA = 1). The SSZ pin can remain low between transmissions; however, the device only interprets the first eight bits transmitted after the falling edge of SSZ as a command byte, and the next eight bits as a data byte only if writing to a register. The device is entirely controlled by registers. Reading and writing these registers is accomplished by an 8-bit command sent to the MOSI pin prior to the data for that register. 表 50 shows the command structure. The first seven bits specify the address of the register that is being written or read, from 0 to 127 (decimal). The command word ends with an R/W bit, which specifies the direction of data flow on the serial bus.

In the case of a register write, set the R/W bit to 0. A second byte of data is sent to the MOSI pin and contains the data to be written to the register. A register read is accomplished in a similar fashion. The 8-bit command word sends the 7-bit register address, followed by the R/W bit equal to 1 to signify a register read. The 8-bit register data is then clocked out of the device on the MISO pin during the second eight SCLK clocks in the frame. The device supports sequential SPI addressing for a multiple-byte data write/read transfer until the SSZ pin is pulled high. A multiple-byte data write or read transfer is identical to a single-byte data write or read transfer, respectively, until all data byte transfers complete. The host device must keep the SSZ pin low during all data byte transfers. 图 94 shows the single-byte write transfer and 图 95 illustrates the single-byte read transfer.

表 50. SPI Command Word

BIT 7	BIT 6	BIT 5	BIT 4	BIT 3	BIT 2	BIT 1	BIT 0
ADDR(6)	ADDR(5)	ADDR(4)	ADDR(3)	ADDR(2)	ADDR(1)	ADDR(0)	R/WZ

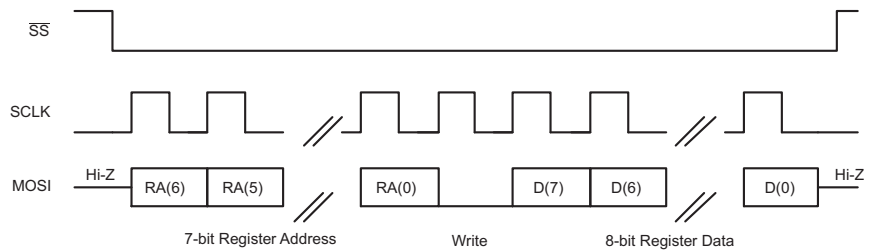


图 94. SPI Single-Byte Write Transfer

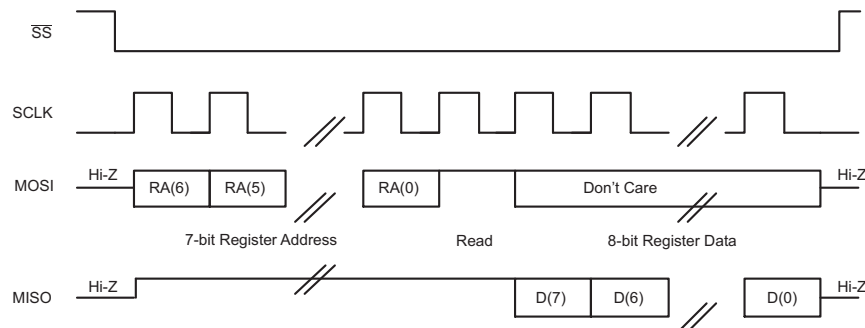


图 95. SPI Single-Byte Read Transfer

8.6 Register Maps

This section describes the control registers for the device in detail. All registers are eight bits in width and are allocated to the device configuration and programmable coefficients settings. These registers are mapped internally using a page scheme that can be controlled using either I²C or SPI communication to the device. Each page contains 128 bytes of registers. All device configuration registers are stored in page 0, which is the default page setting at power up (and after a software reset). Page 1 consists of the live status registers and input diagnostic SAR data for advanced diagnostic purposes. All programmable coefficient registers are located in page 2, page 3, and page 4. The device current page can be switched to a new desired page by using the PAGE[7:0] bits located in register 0 of every page.

Do not read from or write to reserved pages or reserved registers. Write only default values for the reserved bits in the valid registers.

The procedure for register access across pages is:

- Select page N (write data N to register 0 regardless of the current page number)
- Read or write data from or to valid registers in page N
- Select the new page M (write data M to register 0 regardless of the current page number)
- Read or write data from or to valid registers in page M
- Repeat as needed

8.6.1 Device Configuration Registers

This section describes the device configuration registers for page 0 and page 1.

8.6.1.1 Register Summary Table Page=0x00

ADDRESS	REGISTER	DESCRIPTION	SECTION
0x00	PAGE_CFG	Device page register	PAGE_CFG Register (P0_R0)
0x01	SW_RESET	Software reset register	SW_RESET Register (P0_R1)
0x02	SLEEP_CFG	Sleep mode register	SLEEP_CFG Register (P0_R2)
0x05	SHDN_CFG	Shutdown configuration register	SHDN_CFG Register (P0_R5)
0x07	ASI_CFG0	ASI configuration register 0	ASI_CFG0 Register (P0_R7)
0x08	ASI_CFG1	ASI configuration register 1	ASI_CFG1 Register (P0_R8)
0x09	ASI_CFG2	ASI configuration register 2	ASI_CFG2 Register (P0_R9)
0x0B	ASI_CH1	Channel 1 ASI slot configuration register	ASI_CH1 Register (P0_R11)
0x0C	ASI_CH2	Channel 2 ASI slot configuration register	ASI_CH2 Register (P0_R12)
0x0D	ASI_CH3	Channel 3 ASI slot configuration register	ASI_CH3 Register (P0_R13)
0x0E	ASI_CH4	Channel 4 ASI slot configuration register	ASI_CH4 Register (P0_R14)
0x0F	ASI_CH5	Channel 5 ASI slot configuration register	ASI_CH5 Register (P0_R15)
0x10	ASI_CH6	Channel 6 ASI slot configuration register	ASI_CH6 Register (P0_R16)
0x13	MST_CFG0	ASI master mode configuration register 0	MST_CFG0 Register (P0_R19)
0x14	MST_CFG1	ASI master mode configuration register 1	MST_CFG1 Register (P0_R20)
0x15	ASI_STS	ASI bus clock monitor status register	ASI_STS Register (P0_R21)
0x16	CLK_SRC	Clock source configuration register	CLK_SRC Register (P0_R22)
0x21	GPIO_CFG0	GPIO configuration register 0	GPIO_CFG0 Register (P0_R33)
0x22	GPIO_CFG1	GPIO configuration register 1	GPIO_CFG1 Register (P0_R34)
0x23	GPIO_CFG2	GPIO configuration register 2	GPIO_CFG2 Register (P0_R35)
0x24	GPI_CFG0	GPI configuration register 0	GPI_CFG0 Register (P0_R36)
0x25	GPI_CFG1	GPI configuration register 1	GPI_CFG1 Register (P0_R37)
0x26	GPIO_VAL	GPIO output value register	GPIO_VAL Register (P0_R38)
0x27	GPIO_MON	GPIO monitor value register	GPIO_MON Register (P0_R39)
0x28	INT_CFG	Interrupt configuration register	INT_CFG Register (P0_R40)
0x29	INT_MASK0	Interrupt mask register 0	INT_MASK0 Register (P0_R41)
0x2A	INT_MASK1	Interrupt mask register 1	INT_MASK1 Register (P0_R42)
0x2B	INT_MASK2	Interrupt mask register 2	INT_MASK2 Register (P0_R43)
0x2C	INT_LTCH0	Latched interrupt readback register 0	INT_LTCH0 Register (P0_R44)

Register Maps (continued)

0x2D	CHx_LTCH	Channel diagnostic summary latched status register	CHx_LTCH Register (P0_R45)
0x2E	CH1_LTCH	Channel 1 diagnostic latched status register	CH1_LTCH Register (P0_R46)
0x2F	CH2_LTCH	Channel 2 diagnostic latched status register	CH2_LTCH Register (P0_R47)
0x30	CH3_LTCH	Channel 3 diagnostic latched status register	CH3_LTCH Register (P0_R48)
0x31	CH4_LTCH	Channel 4 diagnostic latched status register	CH4_LTCH Register (P0_R49)
0x32	CH5_LTCH	Channel 5 diagnostic latched status register	CH5_LTCH Register (P0_R50)
0x33	CH6_LTCH	Channel 6 diagnostic latched status register	CH6_LTCH Register (P0_R51)
0x34	INT_MASK3	Interrupt mask register 3	INT_MASK3 Register (P0_R52)
0x35	INT_LTCH1	Latched interrupt readback register 1	INT_LTCH1 Register (P0_R53)
0x36	INT_LTCH2	Latched interrupt readback register 2	INT_LTCH2 Register (P0_R54)
0x37	INT_LTCH3	Latched interrupt readback register 3	INT_LTCH3 Register (P0_R55)
0x38	MBDIAG_CFG0	MICBIAS diagnostic register 0	MBDIAG_CFG0 Register (P0_R56)
0x39	MBDIAG_CFG1	MICBIAS diagnostic register 1	MBDIAG_CFG1 Register (P0_R57)
0x3A	MBDIAG_CFG2	MICBIAS diagnostic register 2	MBDIAG_CFG2 Register (P0_R58)
0x3B	BIAS_CFG	Bias configuration register	BIAS_CFG Register (P0_R59)
0x3C	CH1_CFG0	Channel 1 configuration register 0	CH1_CFG0 Register (P0_R60)
0x3D	CH1_CFG1	Channel 1 configuration register 1	CH1_CFG1 Register (P0_R61)
0x3E	CH1_CFG2	Channel 1 configuration register 2	CH1_CFG2 Register (P0_R62)
0x3F	CH1_CFG3	Channel 1 configuration register 3	CH1_CFG3 Register (P0_R63)
0x40	CH1_CFG4	Channel 1 configuration register 4	CH1_CFG4 Register (P0_R64)
0x41	CH2_CFG0	Channel 2 configuration register 0	CH2_CFG0 Register (P0_R65)
0x42	CH2_CFG1	Channel 2 configuration register 1	CH2_CFG1 Register (P0_R66)
0x43	CH2_CFG2	Channel 2 configuration register 2	CH2_CFG2 Register (P0_R67)
0x44	CH2_CFG3	Channel 2 configuration register 3	CH2_CFG3 Register (P0_R68)
0x45	CH2_CFG4	Channel 2 configuration register 4	CH2_CFG4 Register (P0_R69)
0x46	CH3_CFG0	Channel 3 configuration register 0	CH3_CFG0 Register (P0_R70)
0x47	CH3_CFG1	Channel 3 configuration register 1	CH3_CFG1 Register (P0_R71)
0x48	CH3_CFG2	Channel 3 configuration register 2	CH3_CFG2 Register (P0_R72)
0x49	CH3_CFG3	Channel 3 configuration register 3	CH3_CFG3 Register (P0_R73)
0x4A	CH3_CFG4	Channel 3 configuration register 4	CH3_CFG4 Register (P0_R74)
0x4B	CH4_CFG0	Channel 4 configuration register 0	CH4_CFG0 Register (P0_R75)
0x4C	CH4_CFG1	Channel 4 configuration register 1	CH4_CFG1 Register (P0_R76)
0x4D	CH4_CFG2	Channel 4 configuration register 2	CH4_CFG2 Register (P0_R77)
0x4E	CH4_CFG3	Channel 4 configuration register 3	CH4_CFG3 Register (P0_R78)
0x4F	CH4_CFG4	Channel 4 configuration register 4	CH4_CFG4 Register (P0_R79)
0x50	CH5_CFG0	Channel 5 configuration register 0	CH5_CFG0 Register (P0_R80)
0x51	CH5_CFG1	Channel 5 configuration register 1	CH5_CFG1 Register (P0_R81)
0x52	CH5_CFG2	Channel 5 configuration register 2	CH5_CFG2 Register (P0_R82)
0x53	CH5_CFG3	Channel 5 configuration register 3	CH5_CFG3 Register (P0_R83)
0x54	CH5_CFG4	Channel 5 configuration register 4	CH5_CFG4 Register (P0_R84)
0x55	CH6_CFG0	Channel 6 configuration register 0	CH6_CFG0 Register (P0_R85)
0x56	CH6_CFG1	Channel 6 configuration register 1	CH6_CFG1 Register (P0_R86)
0x57	CH6_CFG2	Channel 6 configuration register 2	CH6_CFG2 Register (P0_R87)
0x58	CH6_CFG3	Channel 6 configuration register 3	CH6_CFG3 Register (P0_R88)
0x59	CH6_CFG4	Channel 6 configuration register 4	CH6_CFG4 Register (P0_R89)
0x64	DIAG_CFG0	Input diagnostic configuration register 0	DIAG_CFG0 Register (P0_R100)
0x65	DIAG_CFG1	Input diagnostic configuration register 1	DIAG_CFG1 Register (P0_R101)
0x66	DIAG_CFG2	Input diagnostic configuration register 2	DIAG_CFG2 Register (P0_R102)
0x67	DIAG_CFG3	Input diagnostic configuration register 3	DIAG_CFG3 Register (P0_R103)
0x68	DIAG_CFG4	Input diagnostic configuration register 4	DIAG_CFG4 Register (P0_R104)
0x6B	DSP_CFG0	DSP configuration register 0	DSP_CFG0 Register (P0_R107)
0x6C	DSP_CFG1	DSP configuration register 1	DSP_CFG1 Register (P0_R108)

Register Maps (continued)

0x70	AGC_CFG0	AGC configuration register 0	AGC_CFG0 Register (P0_R112)
0x73	IN_CH_EN	Input channel enable configuration register	IN_CH_EN Register (P0_R115)
0x74	ASI_OUT_CH_EN	ASI output channel enable configuration register	ASI_OUT_CH_EN Register (P0_R116)
0x75	PWR_CFG	Power up configuration register	PWR_CFG Register (P0_R117)
0x76	DEV_STS0	Device status value register 0	DEV_STS0 Register (P0_R118)
0x77	DEV_STS1	Device status value register 1	DEV_STS1 Register (P0_R119)

8.6.1.2 Register Summary Table Page=0x01

ADDRESS	REGISTER	DESCRIPTION	SECTION
0x00	PAGE_CFG	Device page register	PAGE_CFG Register (P1_R0)
0x16	MBIAS_LOAD	MICBIAS internal load sink configuration register	MBIAS_LOAD Register (P1_R22)
0x2C	INT_LIVE0	Live interrupt readback register 0	INT_LIVE0 Register (P1_R44)
0x2D	CHx_LIVE	Channel diagnostic summary live status register	CHx_LIVE Register (P1_R45)
0x2E	CH1_LIVE	Channel 1 diagnostic live status register	CH1_LIVE Register (P1_R46)
0x2F	CH2_LIVE	Channel 2 diagnostic live status register	CH2_LIVE Register (P1_R47)
0x30	CH3_LIVE	Channel 3 diagnostic live status register	CH3_LIVE Register (P1_R48)
0x31	CH4_LIVE	Channel 4 diagnostic live status register	CH4_LIVE Register (P1_R49)
0x32	CH5_LIVE	Channel 5 diagnostic live status register	CH5_LIVE Register (P1_R50)
0x33	CH6_LIVE	Channel 6 diagnostic live status register	CH6_LIVE Register (P1_R51)
0x35	INT_LIVE1	Live interrupt readback register 1	INT_LIVE1 Register (P1_R53)
0x37	INT_LIVE3	Live interrupt readback register 3	INT_LIVE3 Register (P1_R55)
0x59	DIAGDATA_CFG	Diagnostic data configuration register	DIAGDATA_CFG Register (P1_R89)
0x5A	DIAG_MON_MSB_VBAT	Diagnostic VBAT_IN data MSB byte register	DIAG_MON_MSB_VBAT Register (P1_R90)
0x5B	DIAG_MON_LSB_VBAT	Diagnostic VBAT_IN data LSB nibble register	DIAG_MON_LSB_VBAT Register (P1_R91)
0x5C	DIAG_MON_MSB_MBIAS	Diagnostic MICBIAS data MSB byte register	DIAG_MON_MSB_MBIAS Register (P1_R92)
0x5D	DIAG_MON_LSB_MBIAS	Diagnostic MICBIAS data LSB nibble register	DIAG_MON_LSB_MBIAS Register (P1_R93)
0x5E	DIAG_MON_MSB_IN1P	Diagnostic IN1P data MSB byte register	DIAG_MON_MSB_IN1P Register (P1_R94)
0x5F	DIAG_MON_LSB_IN1P	Diagnostic IN1P data LSB nibble register	DIAG_MON_LSB_IN1P Register (P1_R95)
0x60	DIAG_MON_MSB_IN1M	Diagnostic IN1M data MSB byte register	DIAG_MON_MSB_IN1M Register (P1_R96)
0x61	DIAG_MON_LSB_IN1M	Diagnostic IN1M data LSB nibble register	DIAG_MON_LSB_IN1M Register (P1_R97)
0x62	DIAG_MON_MSB_IN2P	Diagnostic IN2P data MSB byte register	DIAG_MON_MSB_IN2P Register (P1_R98)
0x63	DIAG_MON_LSB_IN2P	Diagnostic IN2P data LSB nibble register	DIAG_MON_LSB_IN2P Register (P1_R99)
0x64	DIAG_MON_MSB_IN2M	Diagnostic IN2M data MSB byte register	DIAG_MON_MSB_IN2M Register (P1_R100)
0x65	DIAG_MON_LSB_IN2M	Diagnostic IN2M data LSB nibble register	DIAG_MON_LSB_IN2M Register (P1_R101)
0x66	DIAG_MON_MSB_IN3P	Diagnostic IN3P data MSB byte register	DIAG_MON_MSB_IN3P Register (P1_R102)
0x67	DIAG_MON_LSB_IN3P	Diagnostic IN3P data LSB nibble register	DIAG_MON_LSB_IN3P Register (P1_R103)
0x68	DIAG_MON_MSB_IN3M	Diagnostic IN3M data MSB byte register	DIAG_MON_MSB_IN3M Register (P1_R104)
0x69	DIAG_MON_LSB_IN3M	Diagnostic IN3M data LSB nibble register	DIAG_MON_LSB_IN3M Register (P1_R105)
0x6A	DIAG_MON_MSB_IN4P	Diagnostic IN4P data MSB byte register	DIAG_MON_MSB_IN4P Register (P1_R106)
0x6B	DIAG_MON_LSB_IN4P	Diagnostic IN4P data LSB nibble register	DIAG_MON_LSB_IN4P Register (P1_R107)
0x6C	DIAG_MON_MSB_IN4M	Diagnostic IN4M data MSB byte register	DIAG_MON_MSB_IN4M Register (P1_R108)
0x6D	DIAG_MON_LSB_IN4M	Diagnostic IN4M data LSB nibble register	DIAG_MON_LSB_IN4M Register (P1_R109)
0x6E	DIAG_MON_MSB_IN5P	Diagnostic IN5P data MSB byte register	DIAG_MON_MSB_IN5P Register (P1_R110)
0x6F	DIAG_MON_LSB_IN5P	Diagnostic IN5P data LSB nibble register	DIAG_MON_LSB_IN5P Register (P1_R111)
0x70	DIAG_MON_MSB_IN5M	Diagnostic IN5M data MSB byte register	DIAG_MON_MSB_IN5M Register (P1_R112)
0x71	DIAG_MON_LSB_IN5M	Diagnostic IN5M data LSB nibble register	DIAG_MON_LSB_IN5M Register (P1_R113)
0x72	DIAG_MON_MSB_IN6P	Diagnostic IN6P data MSB byte register	DIAG_MON_MSB_IN6P Register (P1_R114)
0x73	DIAG_MON_LSB_IN6P	Diagnostic IN6P data LSB nibble register	DIAG_MON_LSB_IN6P Register (P1_R115)
0x74	DIAG_MON_MSB_IN6M	Diagnostic IN6M data MSB byte register	DIAG_MON_MSB_IN6M Register (P1_R116)
0x75	DIAG_MON_LSB_IN6M	Diagnostic IN6M data LSB nibble register	DIAG_MON_LSB_IN6M Register (P1_R117)
0x76	DIAG_MON_MSB_TEMP	Diagnostic temperature data MSB byte register	DIAG_MON_MSB_TEMP Register (P1_R118)

0x77	DIAG_MON_LSB_TEMP	Diagnostic temperature data LSB nibble register	DIAG_MON_LSB_TEMP Register (P1_R119)
0x78	DIAG_MON_MSB_LOAD	Diagnostic MICBIAS load current data MSB byte register	DIAG_MON_MSB_LOAD Register (P1_R120)
0x79	DIAG_MON_LSB_LOAD	Diagnostic MICBIAS load current data LSB nibble register	DIAG_MON_LSB_LOAD Register (P1_R121)

表 51 lists the access codes used for the PCM6xx0-Q1 registers.

表 51. PCM6xx0-Q1 Access Type Codes

Access Type	Code	Description
Read Type		
R	R	Read
R-W	R/W	Read or write
Write Type		
W	W	Write
Reset or Default Value		
-n		Value after reset or the default value

8.6.1.3 Register Description: Page = 0x00

8.6.1.3.1 PAGE_CFG Register (page = 0x00, address = 0x00) [reset = 0h]

The device memory map is divided into pages. This register sets the page.

Figure 96. PAGE_CFG Register

7	6	5	4	3	2	1	0
PAGE[7:0]							
R/W-0h							

Table 52. PAGE_CFG Register Field Descriptions

Bit	Field	Type	Reset	Description
7-0	PAGE[7:0]	R/W	0h	These bits set the device page. 0d = Page 0 1d = Page 1 ... 255d = Page 255

8.6.1.3.2 SW_RESET Register (page = 0x00, address = 0x01) [reset = 0h]

This register is the software reset register. Asserting a software reset places all register values in their default power-on-reset (POR) state.

Figure 97. SW_RESET Register

7	6	5	4	3	2	1	0
Reserved							SW_RESET
R-0h							R/W-0h

Table 53. SW_RESET Register Field Descriptions

Bit	Field	Type	Reset	Description
7-1	Reserved	R	0h	Reserved
0	SW_RESET	R/W	0h	Software reset. This bit is self-clearing. 0d = Do not reset 1d = Reset

8.6.1.3.3 SLEEP_CFG Register (page = 0x00, address = 0x02) [reset = 0h]

This register configures the regulator, VREF quick charge, I2C broadcast and sleep mode.

Figure 98. SLEEP_CFG Register

7	6	5	4	3	2	1	0
Reserved	Reserved		VREF_QCHG[1:0]		I2C_BRDCAST_EN	Reserved	SLEEP_ENZ
RW-0h	RW-0h		RW-0h		RW-0h	R-0h	RW-0h

Table 54. SLEEP_CFG Register Field Descriptions

Bit	Field	Type	Reset	Description
7	Reserved	RW	0h	Reserved
6-5	Reserved	RW	0h	Reserved
4-3	VREF_QCHG[1:0]	RW	0h	The duration of the quick-charge for the VREF external capacitor is set using an internal series impedance of 200 ohm. 0d = VREF quick-charge duration of 3.5 ms (typical) 1d = VREF quick-charge duration of 10 ms (typical) 2d = VREF quick-charge duration of 50 ms (typical) 3d = VREF quick-charge duration of 100 ms (typical)
2	I2C_BRDCAST_EN	RW	0h	I2C broadcast addressing setting. 0d = I2C broadcast mode disabled; the I2C slave address is determined based on the ADDR pins 1d = I2C broadcast mode enabled; the I2C slave address is fixed at 1001 100
1	Reserved	R	0h	Reserved
0	SLEEP_ENZ	RW	0h	Sleep mode setting. 0d = Device is in sleep mode 1d = Device is not in sleep mode

8.6.1.3.4 SHDN_CFG Register (page = 0x00, address = 0x05) [reset = 5h]

This register configures the device shutdown

Figure 99. SHDN_CFG Register

7	6	5	4	3	2	1	0
Reserved			SHDNZ_CFG[1:0]		DREG_KA_TIME[1:0]		
R-0h			RW-1h		RW-1h		

Table 55. SHDN_CFG Register Field Descriptions

Bit	Field	Type	Reset	Description
7-4	Reserved	R	0h	Reserved
3-2	SHDNZ_CFG[1:0]	RW	1h	Shutdown configuration. 0d = DREG is powered down immediately after SHDNZ asserts 1d = DREG remains active to enable a clean shut down until a time-out is reached; after the time-out period, DREG is forced to power off 2d = DREG remains active until the device cleanly shuts down 3d = Reserved
1-0	DREG_KA_TIME[1:0]	RW	1h	These bits set how long DREG remains active after SHDNZ asserts. 0d = DREG remains active for 30 ms (typical) 1d = DREG remains active for 25 ms (typical) 2d = DREG remains active for 10 ms (typical) 3d = DREG remains active for 5 ms (typical)

8.6.1.3.5 ASI_CFG0 Register (page = 0x00, address = 0x07) [reset = 30h]

This register is the ASI configuration register 0.

Figure 100. ASI_CFG0 Register

7	6	5	4	3	2	1	0
ASI_FORMAT[1:0]		ASI_WLEN[1:0]		FSYNC_POL	BCLK_POL	TX_EDGE	TX_FILL
RW-0h		RW-3h		RW-0h	RW-0h	RW-0h	RW-0h

Table 56. ASI_CFG0 Register Field Descriptions

Bit	Field	Type	Reset	Description
7-6	ASI_FORMAT[1:0]	RW	0h	ASI protocol format. 0d = TDM mode 1d = I2S mode 2d = LJ (left-justified) mode 3d = Reserved
5-4	ASI_WLEN[1:0]	RW	3h	ASI word or slot length. 0d = 16 bits 1d = 20 bits 2d = 24 bits 3d = 32 bits
3	FSYNC_POL	RW	0h	ASI FSYNC polarity. 0d = Default polarity as per standard protocol 1d = Inverted polarity with respect to standard protocol
2	BCLK_POL	RW	0h	ASI BCLK polarity. 0d = Default polarity as per standard protocol 1d = Inverted polarity with respect to standard protocol
1	TX_EDGE	RW	0h	ASI data output (on the primary and secondary data pin) transmit edge. 0d = Default edge as per the protocol configuration setting in bit 2 (BCLK_POL) 1d = Inverted following edge (half cycle delay) with respect to the default edge setting
0	TX_FILL	RW	0h	ASI data output (on the primary and secondary data pin) for any unused cycles 0d = Always transmit 0 for unused cycles 1d = Always use Hi-Z for unused cycles

8.6.1.3.6 ASI_CFG1 Register (page = 0x00, address = 0x08) [reset = 0h]

This register is the ASI configuration register 1.

Figure 101. ASI_CFG1 Register

7	6	5	4	3	2	1	0
TX_LSB	TX_KEEPER[1:0]		TX_OFFSET[4:0]				
RW-0h	RW-0h		RW-0h				

Table 57. ASI_CFG1 Register Field Descriptions

Bit	Field	Type	Reset	Description
7	TX_LSB	RW	0h	ASI data output (on the primary and secondary data pin) for LSB transmissions. 0d = Transmit the LSB for a full cycle 1d = Transmit the LSB for the first half cycle and Hi-Z for the second half cycle
6-5	TX_KEEPER[1:0]	RW	0h	ASI data output (on the primary and secondary data pin) bus keeper. 0d = Bus keeper is always disabled 1d = Bus keeper is always enabled 2d = Bus keeper is enabled during LSB transmissions only for one cycle 3d = Bus keeper is enabled during LSB transmissions only for one and half cycles
4-0	TX_OFFSET[4:0]	RW	0h	ASI data MSB slot 0 offset (on the primary and secondary data pin). 0d = ASI data MSB location has no offset and is as per standard protocol 1d = ASI data MSB location (TDM mode is slot 0 or I2S, LJ mode is the left and right slot 0) offset of one BCLK cycle with respect to standard protocol 2d = ASI data MSB location (TDM mode is slot 0 or I2S, LJ mode is the left and right slot 0) offset of two BCLK cycles with respect to standard protocol 3d to 30d = ASI data MSB location (TDM mode is slot 0 or I2S, LJ mode is the left and right slot 0) offset assigned as per configuration 31d = ASI data MSB location (TDM mode is slot 0 or I2S, LJ mode is the left and right slot 0) offset of 31 BCLK cycles with respect to standard protocol

8.6.1.3.7 ASI_CFG2 Register (page = 0x00, address = 0x09) [reset = 0h]

This register is the ASI configuration register 2.

Figure 102. ASI_CFG2 Register

7	6	5	4	3	2	1	0
ASI_DAI5Y	Reserved	ASI_ERR	ASI_ERR_RCO V	Reserved			
RW-0h	R-0h	RW-0h	RW-0h	R-0h			

Table 58. ASI_CFG2 Register Field Descriptions

Bit	Field	Type	Reset	Description
7	ASI_DAI5Y	RW	0h	ASI daisy chain connection. 0d = All devices are connected in the common ASI bus 1d = All devices are daisy-chained for the ASI bus
6	Reserved	R	0h	Reserved
5	ASI_ERR	RW	0h	ASI bus error detection. 0d = Enable bus error detection 1d = Disable bus error detection
4	ASI_ERR_RCOV	RW	0h	ASI bus error auto resume. 0d = Enable auto resume after bus error recovery 1d = Disable auto resume after bus error recovery and remain powered down until the host configures the device
3-0	Reserved	R	0h	Reserved

8.6.1.3.8 ASI_CH1 Register (page = 0x00, address = 0x0B) [reset = 0h]

This register is the ASI slot configuration register for channel 1.

Figure 103. ASI_CH1 Register

7	6	5	4	3	2	1	0
Reserved	CH1_OUTPUT	CH1_SLOT[5:0]					
R-0h	RW-0h	RW-0h					

Table 59. ASI_CH1 Register Field Descriptions

Bit	Field	Type	Reset	Description
7	Reserved	R	0h	Reserved
6	CH1_OUTPUT	RW	0h	Channel 1 output line. 0d = Channel 1 output is on the ASI primary output pin (SDOUT) 0d = Channel 1 output is on the ASI secondary output pin (GPIO1 or GPOx)
5-0	CH1_SLOT[5:0]	RW	0h	Channel 1 slot assignment. 0d = TDM is slot 0 or I2S, LJ is left slot 0 1d = TDM is slot 1 or I2S, LJ is left slot 1 2d to 30d = Slot assigned as per configuration 31d = TDM is slot 31 or I2S, LJ is left slot 31 32d = TDM is slot 32 or I2S, LJ is right slot 0 33d = TDM is slot 33 or I2S, LJ is right slot 1 34d to 62d = Slot assigned as per configuration 63d = TDM is slot 63 or I2S, LJ is right slot 31

8.6.1.3.9 ASI_CH2 Register (page = 0x00, address = 0x0C) [reset = 1h]

This register is the ASI slot configuration register for channel 2.

Figure 104. ASI_CH2 Register

7	6	5	4	3	2	1	0
Reserved	CH2_OUTPUT	CH2_SLOT[5:0]					
R-0h	RW-0h	RW-1h					

Table 60. ASI_CH2 Register Field Descriptions

Bit	Field	Type	Reset	Description
7	Reserved	R	0h	Reserved
6	CH2_OUTPUT	RW	0h	Channel 2 output line. 0d = Channel 2 output is on the ASI primary output pin (SDOUT) 0d = Channel 2 output is on the ASI secondary output pin (GPIO1 or GPOx)
5-0	CH2_SLOT[5:0]	RW	1h	Channel 2 slot assignment. 0d = TDM is slot 0 or I2S, LJ is left slot 0 1d = TDM is slot 1 or I2S, LJ is left slot 1 2d to 30d = Slot assigned as per configuration 31d = TDM is slot 31 or I2S, LJ is left slot 31 32d = TDM is slot 32 or I2S, LJ is right slot 0 33d = TDM is slot 33 or I2S, LJ is right slot 1 34d to 62d = Slot assigned as per configuration 63d = TDM is slot 63 or I2S, LJ is right slot 31

8.6.1.3.10 ASI_CH3 Register (page = 0x00, address = 0x0D) [reset = 2h]

This register is the ASI slot configuration register for channel 3.

Figure 105. ASI_CH3 Register

7	6	5	4	3	2	1	0
Reserved	CH3_OUTPUT	CH3_SLOT[5:0]					
R-0h	RW-0h	RW-2h					

Table 61. ASI_CH3 Register Field Descriptions

Bit	Field	Type	Reset	Description
7	Reserved	R	0h	Reserved
6	CH3_OUTPUT	RW	0h	Channel 3 output line. 0d = Channel 3 output is on the ASI primary output pin (SDOUT) 0d = Channel 3 output is on the ASI secondary output pin (GPIO1 or GPOx)
5-0	CH3_SLOT[5:0]	RW	2h	Channel 3 slot assignment. 0d = TDM is slot 0 or I2S, LJ is left slot 0 1d = TDM is slot 1 or I2S, LJ is left slot 1 2d to 30d = Slot assigned as per configuration 31d = TDM is slot 31 or I2S, LJ is left slot 31 32d = TDM is slot 32 or I2S, LJ is right slot 0 33d = TDM is slot 33 or I2S, LJ is right slot 1 34d to 62d = Slot assigned as per configuration 63d = TDM is slot 63 or I2S, LJ is right slot 31

8.6.1.3.11 ASI_CH4 Register (page = 0x00, address = 0x0E) [reset = 3h]

This register is the ASI slot configuration register for channel 4.

Figure 106. ASI_CH4 Register

7	6	5	4	3	2	1	0
Reserved	CH4_OUTPUT	CH4_SLOT[5:0]					
R-0h	RW-0h	RW-3h					

Table 62. ASI_CH4 Register Field Descriptions

Bit	Field	Type	Reset	Description
7	Reserved	R	0h	Reserved
6	CH4_OUTPUT	RW	0h	Channel 4 output line. 0d = Channel 4 output is on the ASI primary output pin (SDOUT) 0d = Channel 4 output is on the ASI secondary output pin (GPIO1 or GPOx)

Table 62. ASI_CH4 Register Field Descriptions (continued)

Bit	Field	Type	Reset	Description
5-0	CH4_SLOT[5:0]	RW	3h	Channel 4 slot assignment. 0d = TDM is slot 0 or I2S, LJ is left slot 0 1d = TDM is slot 1 or I2S, LJ is left slot 1 2d to 30d = Slot assigned as per configuration 31d = TDM is slot 31 or I2S, LJ is left slot 31 32d = TDM is slot 32 or I2S, LJ is right slot 0 33d = TDM is slot 33 or I2S, LJ is right slot 1 34d to 62d = Slot assigned as per configuration 63d = TDM is slot 63 or I2S, LJ is right slot 31

8.6.1.3.12 ASI_CH5 Register (page = 0x00, address = 0x0F) [reset = 4h]

This register is the ASI slot configuration register for channel 5. Applicable only for PCM6x60-Q1.

Figure 107. ASI_CH5 Register

7	6	5	4	3	2	1	0
Reserved	CH5_OUTPUT	CH5_SLOT[5:0]					
R-0h	RW-0h	RW-4h					

Table 63. ASI_CH5 Register Field Descriptions

Bit	Field	Type	Reset	Description
7	Reserved	R	0h	Reserved
6	CH5_OUTPUT	RW	0h	Channel 5 output line. 0d = Channel 5 output is on the ASI primary output pin (SDOUT) 0d = Channel 5 output is on the ASI secondary output pin (GPIO1 or GPOx)
5-0	CH5_SLOT[5:0]	RW	4h	Channel 5 slot assignment. 0d = TDM is slot 0 or I2S, LJ is left slot 0 1d = TDM is slot 1 or I2S, LJ is left slot 1 2d to 30d = Slot assigned as per configuration 31d = TDM is slot 31 or I2S, LJ is left slot 31 32d = TDM is slot 32 or I2S, LJ is right slot 0 33d = TDM is slot 33 or I2S, LJ is right slot 1 34d to 62d = Slot assigned as per configuration 63d = TDM is slot 63 or I2S, LJ is right slot 31

8.6.1.3.13 ASI_CH6 Register (page = 0x00, address = 0x10) [reset = 5h]

This register is the ASI slot configuration register for channel 6. Applicable only for PCM6x60-Q1.

Figure 108. ASI_CH6 Register

7	6	5	4	3	2	1	0
Reserved	CH6_OUTPUT	CH6_SLOT[5:0]					
R-0h	RW-0h	RW-5h					

Table 64. ASI_CH6 Register Field Descriptions

Bit	Field	Type	Reset	Description
7	Reserved	R	0h	Reserved
6	CH6_OUTPUT	RW	0h	Channel 6 output line. 0d = Channel 6 output is on the ASI primary output pin (SDOUT) 0d = Channel 6 output is on the ASI secondary output pin (GPIO1 or GPOx)

Table 64. ASI_CH6 Register Field Descriptions (continued)

Bit	Field	Type	Reset	Description
5-0	CH6_SLOT[5:0]	RW	5h	Channel 6 slot assignment. 0d = TDM is slot 0 or I2S, LJ is left slot 0 1d = TDM is slot 1 or I2S, LJ is left slot 1 2d to 30d = Slot assigned as per configuration 31d = TDM is slot 31 or I2S, LJ is left slot 31 32d = TDM is slot 32 or I2S, LJ is right slot 0 33d = TDM is slot 33 or I2S, LJ is right slot 1 34d to 62d = Slot assigned as per configuration 63d = TDM is slot 63 or I2S, LJ is right slot 31

8.6.1.3.14 MST_CFG0 Register (page = 0x00, address = 0x13) [reset = 2h]

This register is the ASI master mode configuration register 0.

Figure 109. MST_CFG0 Register

7	6	5	4	3	2	1	0
MST_SLV_CFG	AUTO_CLK_CFG	AUTO_MODE_PLL_DIS	BCLK_FSYNC_GATE	FS_MODE	MCLK_FREQ_SEL[2:0]		
RW-0h	RW-0h	RW-0h	RW-0h	RW-0h	RW-2h		

Table 65. MST_CFG0 Register Field Descriptions

Bit	Field	Type	Reset	Description
7	MST_SLV_CFG	RW	0h	ASI master or slave configuration register setting. 0d = Device is in slave mode (both BCLK and FSYNC are inputs to the device) 1d = Device is in master mode (both BCLK and FSYNC are generated from the device)
6	AUTO_CLK_CFG	RW	0h	Automatic clock configuration setting. 0d = Auto clock configuration is enabled (all internal clock divider and PLL configurations are auto derived) 1d = Auto clock configuration is disabled (custom mode and device GUI must be used for the device configuration settings)
5	AUTO_MODE_PLL_DIS	RW	0h	Automatic mode PLL setting. 0d = PLL is enabled in auto clock configuration 1d = PLL is disabled in auto clock configuration
4	BCLK_FSYNC_GATE	RW	0h	BCLK and FSYNC clock gate (valid when the device is in master mode). 0d = Do not gate BCLK and FSYNC 1d = Force gate BCLK and FSYNC when being transmitted from the device in master mode
3	FS_MODE	RW	0h	Sample rate setting (valid when the device is in master mode). 0d = fS is a multiple (or submultiple) of 48 kHz 1d = fS is a multiple (or submultiple) of 44.1 kHz
2-0	MCLK_FREQ_SEL[2:0]	RW	2h	These bits select the MCLK (GPIO or GPIx) frequency for the PLL source clock input (valid when the device is in master mode and MCLK_FREQ_SEL_MODE = 0). 0d = 12 MHz 1d = 12.288 MHz 2d = 13 MHz 3d = 16 MHz 4d = 19.2 MHz 5d = 19.68 MHz 6d = 24 MHz 7d = 24.576 MHz

8.6.1.3.15 MST_CFG1 Register (page = 0x00, address = 0x14) [reset = 48h]

This register is the ASI master mode configuration register 1.

Figure 110. MST_CFG1 Register

7	6	5	4	3	2	1	0
FS_RATE[3:0]				FS_BCLK_RATIO[3:0]			
RW-4h				RW-8h			

Table 66. MST_CFG1 Register Field Descriptions

Bit	Field	Type	Reset	Description
7-4	FS_RATE[3:0]	RW	4h	Programmed sample rate of the ASI bus (not used when the device is configured in slave mode auto clock configuration). 0d = 7.35 kHz or 8 kHz 1d = 14.7 kHz or 16 kHz 2d = 22.05 kHz or 24 kHz 3d = 29.4 kHz or 32 kHz 4d = 44.1 kHz or 48 kHz 5d = 88.2 kHz or 96 kHz 6d = 176.4 kHz or 192 kHz 7d = 352.8 kHz or 384 kHz 8d = 705.6 kHz or 768 kHz 9d to 15d = Reserved
3-0	FS_BCLK_RATIO[3:0]	RW	8h	Programmed BCLK to FSYNC frequency ratio of the ASI bus (not used when the device is configured in slave mode auto clock configuration). 0d = Ratio of 16 1d = Ratio of 24 2d = Ratio of 32 3d = Ratio of 48 4d = Ratio of 64 5d = Ratio of 96 6d = Ratio of 128 7d = Ratio of 192 8d = Ratio of 256 9d = Ratio of 384 10d = Ratio of 512 11d = Ratio of 1024 12d = Ratio of 2048 13d = Reserved 14d = Ratio of 144 15d = Reserved

8.6.1.3.16 ASI_STS Register (page = 0x00, address = 0x15) [reset = FFh]

This register is the ASI bus clock monitor status register

Figure 111. ASI_STS Register

7	6	5	4	3	2	1	0
FS_RATE_STS[3:0]				FS_RATIO_STS[3:0]			
R-Fh				R-Fh			

Table 67. ASI_STS Register Field Descriptions

Bit	Field	Type	Reset	Description
7-4	FS_RATE_STS[3:0]	R	Fh	Detected sample rate of the ASI bus. 0d = 7.35 kHz or 8 kHz 1d = 14.7 kHz or 16 kHz 2d = 22.05 kHz or 24 kHz 3d = 29.4 kHz or 32 kHz 4d = 44.1 kHz or 48 kHz 5d = 88.2 kHz or 96 kHz 6d = 176.4 kHz or 192 kHz 7d = 352.8 kHz or 384 kHz 8d = 705.6 kHz or 768 kHz 9d to 14d = Reserved 15d = Invalid sample rate

Table 67. ASI_STS Register Field Descriptions (continued)

Bit	Field	Type	Reset	Description
3-0	FS_RATIO_STS[3:0]	R	Fh	Detected BCLK to FSYNC frequency ratio of the ASI bus. 0d = Ratio of 16 1d = Ratio of 24 2d = Ratio of 32 3d = Ratio of 48 4d = Ratio of 64 5d = Ratio of 96 6d = Ratio of 128 7d = Ratio of 192 8d = Ratio of 256 9d = Ratio of 384 10d = Ratio of 512 11d = Ratio of 1024 12d = Ratio of 2048 13d = Reserved 14d = Ratio of 144 15d = Invalid ratio

8.6.1.3.17 CLK_SRC Register (page = 0x00, address = 0x16) [reset = 10h]

This register is the clock source configuration register.

Figure 112. CLK_SRC Register

7	6	5	4	3	2	1	0
DIS_PLL_SLV_CLK_SRC	MCLK_FREQ_SEL_MODE	MCLK_RATIO_SEL[2:0]			Reserved		
RW-0h	RW-0h	RW-2h			R-0h		

Table 68. CLK_SRC Register Field Descriptions

Bit	Field	Type	Reset	Description
7	DIS_PLL_SLV_CLK_SRC	RW	0h	Audio root clock source setting when the device is configured with the PLL disabled in the auto clock configuration for slave mode (AUTO_MODE_PLL_DIS = 1). 0d = BCLK is used as the audio root clock source 1d = MCLK (GPIOx or GPIx) is used as the audio root clock source (the MCLK to FSYNC ratio is as per MCLK_RATIO_SEL setting)
6	MCLK_FREQ_SEL_MODE	RW	0h	Master mode MCLK (GPIOx or GPIx) frequency selection mode (valid when the device is in auto clock configuration). 0d = MCLK frequency is based on the MCLK_FREQ_SEL (P0_R19) configuration 1d = MCLK frequency is specified as a multiple of FSYNC in the MCLK_RATIO_SEL (P0_R22) configuration
5-3	MCLK_RATIO_SEL[2:0]	RW	2h	These bits select the MCLK (GPIOx or GPIx) to FSYNC ratio for master mode or when MCLK is used as the audio root clock source in slave mode. 0d = Ratio of 64 1d = Ratio of 256 2d = Ratio of 384 3d = Ratio of 512 4d = Ratio of 768 5d = Ratio of 1024 6d = Ratio of 1536 7d = Ratio of 2304
2-0	Reserved	R	0h	Reserved

8.6.1.3.18 GPIO_CFG0 Register (page = 0x00, address = 0x21) [reset = 22h]

This register is the GPIO configuration register 0.

Figure 113. GPIO_CFG0 Register

7	6	5	4	3	2	1	0
GPIO1_CFG[3:0]				Reserved	GPIO1_DRV[2:0]		
RW-2h				R-0h	RW-2h		

Table 69. GPIO_CFG0 Register Field Descriptions

Bit	Field	Type	Reset	Description
7-4	GPIO1_CFG[3:0]	RW	2h	GPIO1 configuration. 0d = GPIO1 is disabled 1d = GPIO1 is configured as a general-purpose output (GPO) 2d = GPIO1 is configured as a device interrupt output (IRQ) 3d = GPIO1 is configured as a secondary ASI output (SDOUT2) 4d = Reserved 5d = Reserved 6d = Reserved 7d = GPIO1 is configured as an input to power down all ADC channels 8d = GPIO1 is configured as an input to control when MICBIAS turns on or off (MICBIAS_EN) 9d = GPIO1 is configured as a general-purpose input (GPI) 10d = GPIO1 is configured as a master clock input (MCLK) 11d = GPIO1 is configured as an ASI input for daisy-chain (SDIN) 12d = Reserved 13d = Reserved 14d = Reserved
3	Reserved	R	0h	Reserved
2-0	GPIO1_DRV[2:0]	RW	2h	GPIO1 output drive configuration (not used when GPIO1 is configured as SDOUT2). 0d = Hi-Z output 1d = Drive active low and active high 2d = Drive active low and weak high 3d = Drive active low and Hi-Z 4d = Drive weak low and active high 5d = Drive Hi-Z and active high 6d to 7d = Reserved

8.6.1.3.19 GPIO_CFG1 Register (page = 0x00, address = 0x22) [reset = 0h]

This register is the GPIO configuration register 1. Not applicable for PCM6x60-Q1.

Figure 114. GPIO_CFG1 Register

7	6	5	4	3	2	1	0
GPIO2_CFG[3:0]				Reserved	GPIO2_DRV[2:0]		
RW-0h				R-0h	RW-0h		

Table 70. GPIO_CFG1 Register Field Descriptions

Bit	Field	Type	Reset	Description
7-4	GPIO2_CFG[3:0]	RW	0h	GPIO2 configuration. 0d = GPIO2 is disabled 1d = GPIO2 is configured as a general-purpose output (GPO) 2d = GPIO2 is configured as a device interrupt output (IRQ) 3d = GPIO2 is configured as a secondary ASI output (SDOUT2) 4d = Reserved 5d = Reserved 6d = Reserved 7d = GPIO2 is configured as an input to power down all ADC channels 8d = GPIO2 is configured as an input to control when MICBIAS turns on or off (MICBIAS_EN) 9d = GPIO2 is configured as a general-purpose input (GPI) 10d = GPIO2 is configured as a master clock input (MCLK) 11d = GPIO2 is configured as an ASI input for daisy-chain (SDIN) 12d = Reserved 13d = Reserved 14d = Reserved
3	Reserved	R	0h	Reserved

Table 70. GPIO_CFG1 Register Field Descriptions (continued)

Bit	Field	Type	Reset	Description
2-0	GPIO2_DRV[2:0]	RW	0h	GPIO2 output drive configuration (not used when GPIO2 is configured as SDOUT2). 0d = Hi-Z output 1d = Drive active low and active high 2d = Drive active low and weak high 3d = Drive active low and Hi-Z 4d = Drive weak low and active high 5d = Drive Hi-Z and active high 6d to 7d = Reserved

8.6.1.3.20 GPIO_CFG2 Register (page = 0x00, address = 0x23) [reset = 0h]

This register is the GPIO configuration register 2. Not applicable for PCM6x60-Q1.

Figure 115. GPIO_CFG2 Register

7	6	5	4	3	2	1	0
GPIO3_CFG[3:0]				Reserved	GPIO3_DRV[2:0]		
RW-0h				R-0h	RW-0h		

Table 71. GPIO_CFG2 Register Field Descriptions

Bit	Field	Type	Reset	Description
7-4	GPIO3_CFG[3:0]	RW	0h	GPIO3 configuration. 0d = GPIO3 is disabled 1d = GPIO3 is configured as a general-purpose output (GPO) 2d = GPIO3 is configured as a device interrupt output (IRQ) 3d = GPIO3 is configured as a secondary ASI output (SDOUT2) 4d = Reserved 5d = Reserved 6d = Reserved 7d = GPIO3 is configured as an input to power down all ADC channels 8d = GPIO3 is configured as an input to control when MICBIAS turns on or off (MICBIAS_EN) 9d = GPIO3 is configured as a general-purpose input (GPI) 10d = GPIO3 is configured as a master clock input (MCLK) 11d = GPIO3 is configured as an ASI input for daisy-chain (SDIN) 12d = Reserved 13d = Reserved 14d = Reserved
3	Reserved	R	0h	Reserved
2-0	GPIO3_DRV[2:0]	RW	0h	GPIO3 output drive configuration (not used when GPIO3 is configured as SDOUT2). 0d = Hi-Z output 1d = Drive active low and active high 2d = Drive active low and weak high 3d = Drive active low and Hi-Z 4d = Drive weak low and active high 5d = Drive Hi-Z and active high 6d to 7d = Reserved

8.6.1.3.21 GPI_CFG0 Register (page = 0x00, address = 0x24) [reset = 0h]

This register is the GPI configuration register 0. Not applicable for PCM6x60-Q1.

Figure 116. GPI_CFG0 Register

7	6	5	4	3	2	1	0
GPI1_CFG[3:0]				Reserved			
RW-0h				R-0h			

Table 72. GPI_CFG0 Register Field Descriptions

Bit	Field	Type	Reset	Description
7-4	GPI1_CFG[3:0]	RW	0h	GPI1 configuration. 0d = GPI1 is disabled 1d to 6d = Reserved 7d = GPI1 is configured as an input to power down all ADC channels 8d = GPI1 is configured as an input to control when MICBIAS turns on or off (MICBIAS_EN) 9d = GPI1 is configured as a general-purpose input (GPI) 10d = GPI1 is configured as a master clock input (MCLK) 11d = GPI1 is configured as an ASI input for daisy-chain (SDIN) 12d = Reserved 13d = Reserved 14d = Reserved
3-0	Reserved	R	0h	Reserved

8.6.1.3.22 GPI_CFG1 Register (page = 0x00, address = 0x25) [reset = 0h]

This register is the GPI configuration register 1. Not applicable for PCM6x60-Q1.

Figure 117. GPI_CFG1 Register

7	6	5	4	3	2	1	0
GPI2_CFG[3:0]				Reserved			
RW-0h				R-0h			

Table 73. GPI_CFG1 Register Field Descriptions

Bit	Field	Type	Reset	Description
7-4	GPI2_CFG[3:0]	RW	0h	GPI2 configuration. 0d = GPI2 is disabled 1d to 6d = Reserved 7d = GPI2 is configured as an input to power down all ADC channels 8d = GPI2 is configured as an input to control when MICBIAS turns on or off (MICBIAS_EN) 9d = GPI2 is configured as a general-purpose input (GPI) 10d = GPI2 is configured as a master clock input (MCLK) 11d = GPI2 is configured as an ASI input for daisy-chain (SDIN) 12d = Reserved 13d = Reserved 14d = Reserved
3-0	Reserved	R	0h	Reserved

8.6.1.3.23 GPIO_VAL Register (page = 0x00, address = 0x26) [reset = 0h]

This register is the GPIO output value register.

Figure 118. GPIO_VAL Register

7	6	5	4	3	2	1	0
GPIO1_VAL	GPIO2_VAL	GPIO3_VAL	Reserved				
RW-0h	RW-0h	RW-0h	R-0h				

Table 74. GPIO_VAL Register Field Descriptions

Bit	Field	Type	Reset	Description
7	GPIO1_VAL	RW	0h	GPIO1 output value when configured as a GPO. 0d = Drive the output with a value of 0 1d = Drive the output with a value of 1
6	GPIO2_VAL	RW	0h	GPIO2 output value when configured as a GPO. Not applicable for PCM6x60-Q1. 0d = Drive the output with a value of 0 1d = Drive the output with a value of 1

Table 74. GPIO_VAL Register Field Descriptions (continued)

Bit	Field	Type	Reset	Description
5	GPIO3_VAL	RW	0h	GPIO3 output value when configured as a GPO. Not applicable for PCM6x60-Q1. 0d = Drive the output with a value of 0 1d = Drive the output with a value of 1
4-0	Reserved	R	0h	Reserved

8.6.1.3.24 GPIO_MON Register (page = 0x00, address = 0x27) [reset = 0h]

This register is the GPIO monitor value register.

Figure 119. GPIO_MON Register

7	6	5	4	3	2	1	0
GPIO1_MON	GPIO2_MON	GPIO3_MON	GPI1_MON	GPI2_MON	Reserved		
R-0h	R-0h	R-0h	R-0h	R-0h	R-0h		

Table 75. GPIO_MON Register Field Descriptions

Bit	Field	Type	Reset	Description
7	GPIO1_MON	R	0h	GPIO1 monitor value when configured as a GPI. 0d = Input monitor value 0 1d = Input monitor value 1
6	GPIO2_MON	R	0h	GPIO2 monitor value when configured as a GPI. Not applicable for PCM6x60-Q1. 0d = Input monitor value 0 1d = Input monitor value 1
5	GPIO3_MON	R	0h	GPIO3 monitor value when configured as a GPI. Not applicable for PCM6x60-Q1. 0d = Input monitor value 0 1d = Input monitor value 1
4	GPI1_MON	R	0h	GPI1 monitor value when configured as a GPI. Not applicable for PCM6x60-Q1. 0d = Input monitor value 0 1d = Input monitor value 1
3	GPI2_MON	R	0h	GPI2 monitor value when configured as a GPI. Not applicable for PCM6x60-Q1. 0d = Input monitor value 0 1d = Input monitor value 1
2-0	Reserved	R	0h	Reserved

8.6.1.3.25 INT_CFG Register (page = 0x00, address = 0x28) [reset = 0h]

This register is the interrupt configuration register.

Figure 120. INT_CFG Register

7	6	5	4	3	2	1	0
INT_POL	INT_EVENT[1:0]		PD_ON_FLT_CFG[1:0]		LTCH_READ_CFG	PD_ON_FLT_RV_CFG	LTCH_CLR_ON_READ
RW-0h	RW-0h		RW-0h		RW-0h	RW-0h	RW-0h

Table 76. INT_CFG Register Field Descriptions

Bit	Field	Type	Reset	Description
7	INT_POL	RW	0h	Interrupt polarity. 0b = Active low (IRQZ) 1b = Active high (IRQ)

Table 76. INT_CFG Register Field Descriptions (continued)

Bit	Field	Type	Reset	Description
6-5	INT_EVENT[1:0]	RW	0h	Interrupt event configuration. 0d = INT asserts on any unmasked latched interrupts event 1d = Reserved 2d = INT asserts for 2 ms (typical) for every 4-ms (typical) duration on any unmasked latched interrupts event 3d = INT asserts for 2 ms (typical) one time on each pulse for any unmasked interrupts event
4-3	PD_ON_FLT_CFG[1:0]	RW	0h	Powerdown configuration when fault detected for any channel or MICBIAS fault detected. 0d = Faults event are not used for ADC and MICBIAS power down. It is recommend to set these bits as 2d to shutdown the blocks for which fault occurred. 1d = Only unmasked faults are used for power down of respective ADC channel; In case of MICBIAS fault detected, MICBIAS and all ADC channels gets powered-down based on P0_R58 settings 2d = Both masked or unmasked faults are used for power down of respective ADC channel; In case of MICBIAS fault detected, MICBIAS and all ADC channels gets powered-down based on P0_R58 settings. 3d = Reserved
2	LTCH_READ_CFG	RW	0h	Interrupt latch registers readback configuration. 0b = All interrupts can be read through the LTCH registers 1b = Only unmasked interrupts can be read through the LTCH registers
1	PD_ON_FLT_RCV_CFG	RW	0h	Recovery configuration for ADC channels when fault goes away. 0b = Auto recovery, ADC channels are re-powered up when fault goes away 1b = Manual recovery, ADC channels are required to power-up manually using P0_R119 when fault goes away
0	LTCH_CLR_ON_READ	RW	0h	Configuration for clearing LTCH register bits. 0 = LTCH register bits are cleared on register read only if live status is zero 1 = LTCH register bits are cleared on register read irrespective of live status and set only if live status goes again low to high

8.6.1.3.26 INT_MASK0 Register (page = 0x00, address = 0x29) [reset = FFh]

This register is the interrupt masks register 0.

Figure 121. INT_MASK0 Register

7	6	5	4	3	2	1	0
INT_MASK0[7]	INT_MASK0[6]	INT_MASK0[5]	INT_MASK0[4]	Reserved	Reserved	Reserved	Reserved
RW-1h	RW-1h	RW-1h	RW-1h	RW-1h	RW-1h	RW-1h	RW-1h

Table 77. INT_MASK0 Register Field Descriptions

Bit	Field	Type	Reset	Description
7	INT_MASK0[7]	RW	1h	ASI clock error mask. 0b = Unmask 1b = Mask
6	INT_MASK0[6]	RW	1h	PLL lock interrupt mask. 0b = Unmask 1b = Mask
5	INT_MASK0[5]	RW	1h	Boost or MICBIAS over temperature interrupt mask. 0b = Unmask 1b = Mask
4	INT_MASK0[4]	RW	1h	Boost or MICBIAS over current interrupt mask. 0b = Unmask 1b = Mask
3	Reserved	RW	1h	Reserved
2	Reserved	RW	1h	Reserved
1	Reserved	RW	1h	Reserved
0	Reserved	RW	1h	Reserved

8.6.1.3.27 INT_MASK1 Register (page = 0x00, address = 0x2A) [reset = 3h]

This register is the interrupt masks register 1.

Figure 122. INT_MASK1 Register

7	6	5	4	3	2	1	0
INT_MASK1[7]	INT_MASK1[6]	INT_MASK1[5]	INT_MASK1[4]	INT_MASK1[3]	INT_MASK1[2]	INT_MASK1[1]	Reserved
RW-0h	RW-0h	RW-0h	RW-0h	RW-0h	RW-0h	RW-1h	RW-1h

Table 78. INT_MASK1 Register Field Descriptions

Bit	Field	Type	Reset	Description
7	INT_MASK1[7]	RW	0h	Channel 1 input DC faults diagnostic interrupt mask. 0b = Unmask 1b = Mask
6	INT_MASK1[6]	RW	0h	Channel 2 input DC faults diagnostic interrupt mask. 0b = Unmask 1b = Mask
5	INT_MASK1[5]	RW	0h	Channel 3 input DC faults diagnostic interrupt mask. 0b = Unmask 1b = Mask
4	INT_MASK1[4]	RW	0h	Channel 4 input DC faults diagnostic interrupt mask. 0b = Unmask 1b = Mask
3	INT_MASK1[3]	RW	0h	Channel 5 input DC faults diagnostic interrupt mask. Applicable only for PCM6x60-Q1. 0b = Unmask 1b = Mask
2	INT_MASK1[2]	RW	0h	Channel 6 input DC faults diagnostic interrupt mask. Applicable only for PCM6x60-Q1. 0b = Unmask 1b = Mask
1	INT_MASK1[1]	RW	1h	Input faults diagnostic interrupt mask for "short to VBAT_IN" detect when VBAT_IN voltage is less than MICBIAS voltage. 0b = Unmask 1b = Mask
0	Reserved	RW	1h	Reserved

8.6.1.3.28 INT_MASK2 Register (page = 0x00, address = 0x2B) [reset = 0h]

This register is the interrupt masks register 2.

Figure 123. INT_MASK2 Register

7	6	5	4	3	2	1	0
INT_MASK2[7]	INT_MASK2[6]	INT_MASK2[5]	INT_MASK2[4]	INT_MASK2[3]	INT_MASK2[2]	INT_MASK2[1]	INT_MASK2[0]
RW-0h	RW-0h	RW-0h	RW-0h	RW-0h	RW-0h	RW-0h	RW-0h

Table 79. INT_MASK2 Register Field Descriptions

Bit	Field	Type	Reset	Description
7	INT_MASK2[7]	RW	0h	Input diagnostics; Open inputs fault interrupt mask. 0b = Unmask 1b = Mask
6	INT_MASK2[6]	RW	0h	Input diagnostics; Inputs shorted fault interrupt mask. 0b = Unmask 1b = Mask
5	INT_MASK2[5]	RW	0h	Input diagnostics; INxP shorted to ground fault interrupt mask. 0b = Unmask 1b = Mask
4	INT_MASK2[4]	RW	0h	Input diagnostics; INxM shorted to ground fault interrupt mask. 0b = Unmask 1b = Mask

Table 79. INT_MASK2 Register Field Descriptions (continued)

Bit	Field	Type	Reset	Description
3	INT_MASK2[3]	RW	0h	Input diagnostics; INxP shorted to MICBIAS fault interrupt mask. 0b = Unmask 1b = Mask
2	INT_MASK2[2]	RW	0h	Input diagnostics; INxM shorted to MICBIAS fault interrupt mask. 0b = Unmask 1b = Mask
1	INT_MASK2[1]	RW	0h	Input diagnostics; INxP shorted to VBAT_IN fault interrupt mask. 0b = Unmask 1b = Mask
0	INT_MASK2[0]	RW	0h	Input diagnostics; INxM shorted to VBAT_IN fault interrupt mask. 0b = Unmask 1b = Mask

8.6.1.3.29 INT_LTCH0 Register (page = 0x00, address = 0x2C) [reset = 0h]

This register is the latched Interrupt readback register 0.

Figure 124. INT_LTCH0 Register

7	6	5	4	3	2	1	0
INT_LTCH0[7]	INT_LTCH0[6]	INT_LTCH0[5]	INT_LTCH0[4]	Reserved	Reserved	Reserved	Reserved
R-0h	R-0h	R-0h	R-0h	R-0h	R-0h	R-0h	R-0h

Table 80. INT_LTCH0 Register Field Descriptions

Bit	Field	Type	Reset	Description
7	INT_LTCH0[7]	R	0h	Fault status for an ASI bus clock error (self-clearing bit). 0b = No fault detected 1b = Fault detected
6	INT_LTCH0[6]	R	0h	Status of PLL lock (self-clearing bit). 0b = No PLL lock detected 1b = PLL lock detected
5	INT_LTCH0[5]	R	0h	Fault status for boost or MICBIAS over temperature (self-clearing bit). 0b = No fault detected 1b = Fault detected
4	INT_LTCH0[4]	R	0h	Fault status for boost or MICBIAS over current (self-clearing bit). 0b = No fault detected 1b = Fault detected
3	Reserved	R	0h	Reserved
2	Reserved	R	0h	Reserved
1	Reserved	R	0h	Reserved
0	Reserved	R	0h	Reserved

8.6.1.3.30 CHx_LTCH Register (page = 0x00, address = 0x2D) [reset = 0h]

This register is the latched Interrupt status register for channel level diagnostic summary.

Figure 125. CHx_LTCH Register

7	6	5	4	3	2	1	0
STS_CHx_LTC H[7]	STS_CHx_LTC H[6]	STS_CHx_LTC H[5]	STS_CHx_LTC H[4]	STS_CHx_LTC H[3]	STS_CHx_LTC H[2]	STS_CHx_LTC H[1]	Reserved
R-0h	R-0h	R-0h	R-0h	R-0h	R-0h	R-0h	R-0h

Table 81. CHx_LTCH Register Field Descriptions

Bit	Field	Type	Reset	Description
7	STS_CHx_LTCH[7]	R	0h	Status of CH1_LTCH (self-clearing bit). 0b = No faults occurred in channel 1 1b = At least a fault has occurred in channel 1

Table 81. CHx_LTCH Register Field Descriptions (continued)

Bit	Field	Type	Reset	Description
6	STS_CHx_LTCH[6]	R	0h	Status of CH2_LTCH (self-clearing bit). 0b = No faults occurred in channel 2 1b = Atleast a fault has occurred in channel 2
5	STS_CHx_LTCH[5]	R	0h	Status of CH3_LTCH (self-clearing bit). 0b = No faults occurred in channel 3 1b = Atleast a fault has occurred in channel 3
4	STS_CHx_LTCH[4]	R	0h	Status of CH4_LTCH (self-clearing bit). 0b = No faults occurred in channel 4 1b = Atleast a fault has occurred in channel 4
3	STS_CHx_LTCH[3]	R	0h	Status of CH5_LTCH (self-clearing bit). Applicable only for PCM6x60-Q1. 0b = No faults occurred in channel 5 1b = Atleast a fault has occurred in channel 5
2	STS_CHx_LTCH[2]	R	0h	Status of CH6_LTCH (self-clearing bit). Applicable only for PCM6x60-Q1. 0b = No faults occurred in channel 6 1b = Atleast a fault has occurred in channel 6
1	STS_CHx_LTCH[1]	R	0h	Status of short to VBAT_IN fault detected when VBAT_IN is less than MICBIAS (self-clearing bit). 0b = Short to VBAT_IN fault when VBAT_IN is less than MICBIAS has not occurred in any channel 1b = Short to VBAT_IN fault when VBAT_IN is less than MICBIAS has occurred in atleast one channel
0	Reserved	R	0h	Reserved

8.6.1.3.31 CH1_LTCH Register (page = 0x00, address = 0x2E) [reset = 0h]

This register is the latched Interrupt status register for channel 1 fault diagnostic

Figure 126. CH1_LTCH Register

7	6	5	4	3	2	1	0
CH1_LTCH[7]	CH1_LTCH[6]	CH1_LTCH[5]	CH1_LTCH[4]	CH1_LTCH[3]	CH1_LTCH[2]	CH1_LTCH[1]	CH1_LTCH[0]
R-0h	R-0h	R-0h	R-0h	R-0h	R-0h	R-0h	R-0h

Table 82. CH1_LTCH Register Field Descriptions

Bit	Field	Type	Reset	Description
7	CH1_LTCH[7]	R	0h	Channel 1 open input fault status (self-clearing bit). 0b = No open input detected 1b = Open input detected
6	CH1_LTCH[6]	R	0h	Channel 1 input pair short fault status (self-clearing bit). 0b = No input pair short detected 1b = Input short to each other detected
5	CH1_LTCH[5]	R	0h	Channel 1 IN1P short to ground fault status (self-clearing bit). 0b = IN1P no short to ground detected 1b = IN1P short to ground detected
4	CH1_LTCH[4]	R	0h	Channel 1 IN1M short to ground fault status (self-clearing bit). 0b = IN1M no short to ground detected 1b = IN1M short to ground detected
3	CH1_LTCH[3]	R	0h	Channel 1 IN1P short to MICBIAS fault status (self-clearing bit). 0b = IN1P no short to MICBIAS detected 1b = IN1P short to MICBIAS detected
2	CH1_LTCH[2]	R	0h	Channel 1 IN1M short to MICBIAS fault status (self-clearing bit). 0b = IN1M no short to MICBIAS detected 1b = IN1M short to MICBIAS detected
1	CH1_LTCH[1]	R	0h	Channel 1 IN1P short to VBAT_IN fault status (self-clearing bit). 0b = IN1P no short to VBAT_IN detected 1b = IN1P short to VBAT_IN detected
0	CH1_LTCH[0]	R	0h	Channel 1 IN1M short to VBAT_IN fault status (self-clearing bit - This bit gets clear on reading Page-0, Register-54d, INT_LTCH2 register). 0b = IN1M no short to VBAT_IN detected 1b = IN1M short to VBAT_IN detected

8.6.1.3.32 CH2_LTCH Register (page = 0x00, address = 0x2F) [reset = 0h]

This register is the latched Interrupt status register for channel 2 fault diagnostic.

Figure 127. CH2_LTCH Register

7	6	5	4	3	2	1	0
CH2_LTCH[7]	CH2_LTCH[6]	CH2_LTCH[5]	CH2_LTCH[4]	CH2_LTCH[3]	CH2_LTCH[2]	CH2_LTCH[1]	CH2_LTCH[0]
R-0h	R-0h	R-0h	R-0h	R-0h	R-0h	R-0h	R-0h

Table 83. CH2_LTCH Register Field Descriptions

Bit	Field	Type	Reset	Description
7	CH2_LTCH[7]	R	0h	Channel 2 open input fault status (self-clearing bit). 0b = No open input detected 1b = Open input detected
6	CH2_LTCH[6]	R	0h	Channel 2 input pair short fault status (self-clearing bit). 0b = No input pair short detected 1b = Input short to each other detected
5	CH2_LTCH[5]	R	0h	Channel 2 IN2P short to ground fault status (self-clearing bit). 0b = IN2P no short to ground detected 1b = IN2P short to ground detected
4	CH2_LTCH[4]	R	0h	Channel 2 IN2M short to ground fault status (self-clearing bit). 0b = IN2M no short to ground detected 1b = IN2M short to ground detected
3	CH2_LTCH[3]	R	0h	Channel 2 IN2P short to MICBIAS fault status (self-clearing bit). 0b = IN2P no short to MICBIAS detected 1b = IN2P short to MICBIAS detected
2	CH2_LTCH[2]	R	0h	Channel 2 IN2M short to MICBIAS fault status (self-clearing bit). 0b = IN2M no short to MICBIAS detected 1b = IN2M short to MICBIAS detected
1	CH2_LTCH[1]	R	0h	Channel 2 IN2P short to VBAT_IN fault status (self-clearing bit). 0b = IN2P no short to VBAT_IN detected 1b = IN2P short to VBAT_IN detected
0	CH2_LTCH[0]	R	0h	Channel 2 IN2M short to VBAT_IN fault status (self-clearing bit - This bit gets clear on reading Page-0, Register-54d, INT_LTCH2 register). 0b = IN2M no short to VBAT_IN detected 1b = IN2M short to VBAT_IN detected

8.6.1.3.33 CH3_LTCH Register (page = 0x00, address = 0x30) [reset = 0h]

This register is the latched Interrupt status register for channel3 fault diagnostic

Figure 128. CH3_LTCH Register

7	6	5	4	3	2	1	0
CH3_LTCH[7]	CH3_LTCH[6]	CH3_LTCH[5]	CH3_LTCH[4]	CH3_LTCH[3]	CH3_LTCH[2]	CH3_LTCH[1]	CH3_LTCH[0]
R-0h	R-0h	R-0h	R-0h	R-0h	R-0h	R-0h	R-0h

Table 84. CH3_LTCH Register Field Descriptions

Bit	Field	Type	Reset	Description
7	CH3_LTCH[7]	R	0h	Channel 3 open input fault status (self-clearing bit). 0b = No open input detected 1b = Open input detected
6	CH3_LTCH[6]	R	0h	Channel 3 input pair short fault status (self-clearing bit). 0b = No input pair short detected 1b = Input short to each other detected
5	CH3_LTCH[5]	R	0h	Channel 3 IN3P short to ground fault status (self-clearing bit). 0b = IN3P no short to ground detected 1b = IN3P short to ground detected
4	CH3_LTCH[4]	R	0h	Channel 3 IN3M short to ground fault status (self-clearing bit). 0b = IN3M no short to ground detected 1b = IN3M short to ground detected

Table 84. CH3_LTCH Register Field Descriptions (continued)

Bit	Field	Type	Reset	Description
3	CH3_LTCH[3]	R	0h	Channel 3 IN3P short to MICBIAS fault status (self-clearing bit). 0b = IN3P no short to MICBIAS detected 1b = IN3P short to MICBIAS detected
2	CH3_LTCH[2]	R	0h	Channel 3 IN3M short to MICBIAS fault status (self-clearing bit). 0b = IN3M no short to MICBIAS detected 1b = IN3M short to MICBIAS detected
1	CH3_LTCH[1]	R	0h	Channel 3 IN3P short to VBAT_IN fault status (self-clearing bit). 0b = IN3P no short to VBAT_IN detected 1b = IN3P short to VBAT_IN detected
0	CH3_LTCH[0]	R	0h	Channel 3 IN3M short to VBAT_IN fault status (self-clearing bit - This bit gets clear on reading Page-0, Register-54d, INT_LTCH2 register). 0b = IN3M no short to VBAT_IN detected 1b = IN3M short to VBAT_IN detected

8.6.1.3.34 CH4_LTCH Register (page = 0x00, address = 0x31) [reset = 0h]

This register is the latched Interrupt status register for channel 4 fault diagnostic.

Figure 129. CH4_LTCH Register

7	6	5	4	3	2	1	0
CH4_LTCH[7]	CH4_LTCH[6]	CH4_LTCH[5]	CH4_LTCH[4]	CH4_LTCH[3]	CH4_LTCH[2]	CH4_LTCH[1]	CH4_LTCH[0]
R-0h	R-0h	R-0h	R-0h	R-0h	R-0h	R-0h	R-0h

Table 85. CH4_LTCH Register Field Descriptions

Bit	Field	Type	Reset	Description
7	CH4_LTCH[7]	R	0h	Channel 4 open input fault status (self-clearing bit). 0b = No open input detected 1b = Open input detected
6	CH4_LTCH[6]	R	0h	Channel 4 input pair short fault status (self-clearing bit). 0b = No input pair short detected 1b = Input short to each other detected
5	CH4_LTCH[5]	R	0h	Channel 4 IN4P short to ground fault status (self-clearing bit). 0b = IN4P no short to ground detected 1b = IN4P short to ground detected
4	CH4_LTCH[4]	R	0h	Channel 4 IN4M short to ground fault status (self-clearing bit). 0b = IN4M no short to ground detected 1b = IN4M short to ground detected
3	CH4_LTCH[3]	R	0h	Channel 4 IN4P short to MICBIAS fault status (self-clearing bit). 0b = IN4P no short to MICBIAS detected 1b = IN4P short to MICBIAS detected
2	CH4_LTCH[2]	R	0h	Channel 4 IN4M short to MICBIAS fault status (self-clearing bit). 0b = IN4M no short to MICBIAS detected 1b = IN4M short to MICBIAS detected
1	CH4_LTCH[1]	R	0h	Channel 4 IN4P short to VBAT_IN fault status (self-clearing bit). 0b = IN4P no short to VBAT_IN detected 1b = IN4P short to VBAT_IN detected
0	CH4_LTCH[0]	R	0h	Channel 4 IN4M short to VBAT_IN fault status (self-clearing bit - This bit gets clear on reading Page-0, Register-54d, INT_LTCH2 register). 0b = IN4M no short to VBAT_IN detected 1b = IN4M short to VBAT_IN detected

8.6.1.3.35 CH5_LTCH Register (page = 0x00, address = 0x32) [reset = 0h]

This register is the latched Interrupt status register for channel 5 fault diagnostic. Applicable only for PCM6x60-Q1.

Figure 130. CH5_LTCH Register

7	6	5	4	3	2	1	0
CH5_LTCH[7]	CH5_LTCH[6]	CH5_LTCH[5]	CH5_LTCH[4]	CH5_LTCH[3]	CH5_LTCH[2]	CH5_LTCH[1]	CH5_LTCH[0]
R-0h	R-0h	R-0h	R-0h	R-0h	R-0h	R-0h	R-0h

Table 86. CH5_LTCH Register Field Descriptions

Bit	Field	Type	Reset	Description
7	CH5_LTCH[7]	R	0h	Channel 5 open input fault status (self-clearing bit). 0b = No open input detected 1b = Open input detected
6	CH5_LTCH[6]	R	0h	Channel 5 input pair short fault status (self-clearing bit). 0b = No input pair short detected 1b = Input short to each other detected
5	CH5_LTCH[5]	R	0h	Channel 5 IN5P short to ground fault status (self-clearing bit). 0b = IN5P no short to ground detected 1b = IN5P short to ground detected
4	CH5_LTCH[4]	R	0h	Channel 5 IN5M short to ground fault status (self-clearing bit). 0b = IN5M no short to ground detected 1b = IN5M short to ground detected
3	CH5_LTCH[3]	R	0h	Channel 5 IN5P short to MICBIAS fault status (self-clearing bit). 0b = IN5P no short to MICBIAS detected 1b = IN5P short to MICBIAS detected
2	CH5_LTCH[2]	R	0h	Channel 5 IN5M short to MICBIAS fault status (self-clearing bit). 0b = IN5M no short to MICBIAS detected 1b = IN5M short to MICBIAS detected
1	CH5_LTCH[1]	R	0h	Channel 5 IN5P short to VBAT_IN fault status (self-clearing bit). 0b = IN5P no short to VBAT_IN detected 1b = IN5P short to VBAT_IN detected
0	CH5_LTCH[0]	R	0h	Channel 5 IN5M short to VBAT_IN fault status (self-clearing bit - This bit gets clear on reading Page-0, Register-54d, INT_LTCH2 register). 0b = IN5M no short to VBAT_IN detected 1b = IN5M short to VBAT_IN detected

8.6.1.3.36 CH6_LTCH Register (page = 0x00, address = 0x33) [reset = 0h]

This register is the latched Interrupt status register for channel 6 fault diagnostic. Applicable only for PCM6x60-Q1.

Figure 131. CH6_LTCH Register

7	6	5	4	3	2	1	0
CH6_LTCH[7]	CH6_LTCH[6]	CH6_LTCH[5]	CH6_LTCH[4]	CH6_LTCH[3]	CH6_LTCH[2]	CH6_LTCH[1]	CH6_LTCH[0]
R-0h	R-0h	R-0h	R-0h	R-0h	R-0h	R-0h	R-0h

Table 87. CH6_LTCH Register Field Descriptions

Bit	Field	Type	Reset	Description
7	CH6_LTCH[7]	R	0h	Channel 6 open input fault status (self-clearing bit). 0b = No open input detected 1b = Open input detected
6	CH6_LTCH[6]	R	0h	Channel 6 input pair short fault status (self-clearing bit). 0b = No input pair short detected 1b = Input short to each other detected
5	CH6_LTCH[5]	R	0h	Channel 6 IN6P short to ground fault status (self-clearing bit). 0b = IN6P no short to ground detected 1b = IN6P short to ground detected
4	CH6_LTCH[4]	R	0h	Channel 6 IN6M short to ground fault status (self-clearing bit). 0b = IN6M no short to ground detected 1b = IN6M short to ground detected
3	CH6_LTCH[3]	R	0h	Channel 6 IN6P short to MICBIAS fault status (self-clearing bit). 0b = IN6P no short to MICBIAS detected 1b = IN6P short to MICBIAS detected

Table 87. CH6_LTCH Register Field Descriptions (continued)

Bit	Field	Type	Reset	Description
2	CH6_LTCH[2]	R	0h	Channel 6 IN6M short to MICBIAS fault status (self-clearing bit). 0b = IN6M no short to MICBIAS detected 1b = IN6M short to MICBIAS detected
1	CH6_LTCH[1]	R	0h	Channel 6 IN6P short to VBAT_IN fault status (self-clearing bit). 0b = IN6P no short to VBAT_IN detected 1b = IN6P short to VBAT_IN detected
0	CH6_LTCH[0]	R	0h	Channel 6 IN6M short to VBAT_IN fault status (self-clearing bit - This bit gets clear on reading Page-0, Register-54d, INT_LTCH2 register). 0b = IN6M no short to VBAT_IN detected 1b = IN6M short to VBAT_IN detected

8.6.1.3.37 INT_MASK3 Register (page = 0x00, address = 0x34) [reset = 0h]

This register is the interrupt masks register 3.

Figure 132. INT_MASK3 Register

7	6	5	4	3	2	1	0
INT_MASK3[7]	INT_MASK3[6]	INT_MASK3[5]	INT_MASK3[4]	INT_MASK3[3]	Reserved		
RW-0h	RW-0h	RW-0h	RW-0h	RW-0h	R-0h		

Table 88. INT_MASK3 Register Field Descriptions

Bit	Field	Type	Reset	Description
7	INT_MASK3[7]	RW	0h	INxP over voltage fault mask. 0b = Unmask 1b = Mask
6	INT_MASK3[6]	RW	0h	INxM over voltage fault mask. 0b = Unmask 1b = Mask
5	INT_MASK3[5]	RW	0h	MICBIAS high current fault mask. 0b = Unmask 1b = Mask
4	INT_MASK3[4]	RW	0h	MICBIAS low current fault mask. 0b = Unmask 1b = Mask
3	INT_MASK3[3]	RW	0h	MICBIAS over voltage fault mask. 0b = Unmask 1b = Mask
2-0	Reserved	R	0h	Reserved

8.6.1.3.38 INT_LTCH1 Register (page = 0x00, address = 0x35) [reset = 0h]

This register is the latched Interrupt readback register 1.

Figure 133. INT_LTCH1 Register

7	6	5	4	3	2	1	0
INT_LTCH1[7]	INT_LTCH1[6]	INT_LTCH1[5]	INT_LTCH1[4]	INT_LTCH1[3]	INT_LTCH1[2]	Reserved	
R-0h	R-0h	R-0h	R-0h	R-0h	R-0h	R-0h	

Table 89. INT_LTCH1 Register Field Descriptions

Bit	Field	Type	Reset	Description
7	INT_LTCH1[7]	R	0h	Channel 1 IN1P over voltage fault status (self-clearing bit - This bit gets clear on reading Page-0, Register-46d, CH1_LTCH register). 0b = No IN1P over voltage fault detected 1b = IN1P over voltage fault has detected

Table 89. INT_LTCH1 Register Field Descriptions (continued)

Bit	Field	Type	Reset	Description
6	INT_LTCH1[6]	R	0h	Channel 2 IN2P over voltage fault status (self-clearing bit - This bit gets clear on reading Page-0, Register-47d, CH2_LTCH register). 0b = No IN2P over voltage fault detected 1b = IN2P over voltage fault has detected
5	INT_LTCH1[5]	R	0h	Channel 3 IN3P over voltage fault status (self-clearing bit - This bit gets clear on reading Page-0, Register-48d, CH3_LTCH register). 0b = No IN3P over voltage fault detected 1b = IN3P over voltage fault has detected
4	INT_LTCH1[4]	R	0h	Channel 4 IN4P over voltage fault status (self-clearing bit - This bit gets clear on reading Page-0, Register-49d, CH4_LTCH register). 0b = No IN4P over voltage fault detected 1b = IN4P over voltage fault has detected
3	INT_LTCH1[3]	R	0h	Channel 5 IN5P over voltage fault status (self-clearing bit - This bit gets clear on reading Page-0, Register-50d, CH5_LTCH register). Applicable only for PCM6x60-Q1. 0b = No IN5P over voltage fault detected 1b = IN5P over voltage fault has detected
2	INT_LTCH1[2]	R	0h	Channel 6 IN6P over voltage fault status (self-clearing bit - This bit gets clear on reading Page-0, Register-51d, CH6_LTCH register). Applicable only for PCM6x60-Q1. 0b = No IN6P over voltage fault detected 1b = IN6P over voltage fault has detected
1-0	Reserved	R	0h	Reserved

8.6.1.3.39 INT_LTCH2 Register (page = 0x00, address = 0x36) [reset = 0h]

This register is the latched Interrupt readback register 2.

Figure 134. INT_LTCH2 Register

7	6	5	4	3	2	1	0
INT_LTCH2[7]	INT_LTCH2[6]	INT_LTCH2[5]	INT_LTCH2[4]	INT_LTCH2[3]	INT_LTCH2[2]	Reserved	
R-0h	R-0h	R-0h	R-0h	R-0h	R-0h	R-0h	

Table 90. INT_LTCH2 Register Field Descriptions

Bit	Field	Type	Reset	Description
7	INT_LTCH2[7]	R	0h	Channel 1 IN1M over voltage fault status (self-clearing bit - This bit gets clear on reading Page-0, Register-46d, CH1_LTCH register). 0b = No IN1M over voltage fault detected 1b = IN1M over voltage fault has detected
6	INT_LTCH2[6]	R	0h	Channel 2 IN2M over voltage fault status (self-clearing bit - This bit gets clear on reading Page-0, Register-47d, CH2_LTCH register). 0b = No IN2M over voltage fault detected 1b = IN2M over voltage fault has detected
5	INT_LTCH2[5]	R	0h	Channel 3 IN3M over voltage fault status (self-clearing bit - This bit gets clear on reading Page-0, Register-48d, CH3_LTCH register). 0b = No IN3M over voltage fault detected 1b = IN3M over voltage fault has detected
4	INT_LTCH2[4]	R	0h	Channel 4 IN4M over voltage fault status (self-clearing bit - This bit gets clear on reading Page-0, Register-49d, CH4_LTCH register). 0b = No IN4M over voltage fault detected 1b = IN4M over voltage fault has detected
3	INT_LTCH2[3]	R	0h	Channel 5 IN5M over voltage fault status (self-clearing bit - This bit gets clear on reading Page-0, Register-50d, CH5_LTCH register). Applicable only for PCM6x60-Q1. 0b = No IN5M over voltage fault detected 1b = IN5M over voltage fault has detected

Table 90. INT_LTCH2 Register Field Descriptions (continued)

Bit	Field	Type	Reset	Description
2	INT_LTCH2[2]	R	0h	Channel 6 IN6M over voltage fault status (self-clearing bit - This bit gets clear on reading Page-0, Register-51d, CH6_LTCH register). Applicable only for PCM6x60-Q1. 0b = No IN6M over voltage fault detected 1b = IN6M over voltage fault has detected
1-0	Reserved	R	0h	Reserved

8.6.1.3.40 INT_LTCH3 Register (page = 0x00, address = 0x37) [reset = 0h]

This register is the latched Interrupt readback register 3.

Figure 135. INT_LTCH3 Register

7	6	5	4	3	2	1	0
INT_LTCH3[7]	INT_LTCH3[6]	INT_LTCH3[5]	Reserved				
R-0h	R-0h	R-0h	R-0h				

Table 91. INT_LTCH3 Register Field Descriptions

Bit	Field	Type	Reset	Description
7	INT_LTCH3[7]	R	0h	Fault status for MICBIAS high current (self-clearing bit). 0b = No fault detected 1b = Fault detected
6	INT_LTCH3[6]	R	0h	Fault status for MICBIAS low current (self-clearing bit) 0b = No fault detected 1b = Fault detected
5	INT_LTCH3[5]	R	0h	Fault status for MICBIAS over voltage (self-clearing bit). 0b = No fault detected 1b = Fault detected
4-0	Reserved	R	0h	Reserved

8.6.1.3.41 MBDIAG_CFG0 Register (page = 0x00, address = 0x38) [reset = BAh]

This register is the MICBIAS diagnostic configuration register 0.

Figure 136. MBDIAG_CFG0 Register

7	6	5	4	3	2	1	0
MBIAS_HIGH_CURR_THRS[7:0]							
RW-BAh							

Table 92. MBDIAG_CFG0 Register Field Descriptions

Bit	Field	Type	Reset	Description
7-0	MBIAS_HIGH_CURR_THRS[7:0]	RW	BAh	Threshold for MICBIAS high load current fault diagnostic. 0d to 56d = Reserved 57d = High load current threshold is set as 0 mA (typ) 58d = High load current threshold is set as 0.54 mA (typ) 59d = High load current threshold is set as 1.08 mA (typ) 60d to 185d = High load current threshold is set as per configuration 186d = High load current threshold is set as 69.66 mA (typ) 187d to 241d = High load current threshold is set as per configuration 242d = High load current threshold is set as 99.90 mA (typ) 243d to 255d = Reserved

8.6.1.3.42 MBDIAG_CFG1 Register (page = 0x00, address = 0x39) [reset = 4Bh]

This register is the MICBIAS diagnostic configuration register 1.

Figure 137. MBDIAG_CFG1 Register

7	6	5	4	3	2	1	0
MBIAS_LOW_CURR_THRS[7:0]							
RW-4Bh							

Table 93. MBDIAG_CFG1 Register Field Descriptions

Bit	Field	Type	Reset	Description
7-0	MBIAS_LOW_CURR_THRS[7:0]	RW	4Bh	Threshold for MICBIAS low load current fault diagnostic. 0d to 56d = Reserved 57d = Low load current threshold is set as 0 mA (typ) 58d = Low load current threshold is set as 0.54 mA (typ) 59d = Low load current threshold is set as 1.08 mA (typ) 60d to 74d = Low load current threshold is set as per configuration 75d = Low load current threshold is set as 9.72 mA (typ) 76d to 241d = Low load current threshold is set as per configuration 242d = Low load current threshold is set as 99.90 mA (typ) 243d to 255d = Reserved

8.6.1.3.43 MBDIAG_CFG2 Register (page = 0x00, address = 0x3A) [reset = 10h]

This register is the MICBIAS diagnostic configuration register 2.

Figure 138. MBDIAG_CFG2 Register

7	6	5	4	3	2	1	0
PD_MBIAS_FAULT1	PD_MBIAS_FAULT2	PD_MBIAS_FAULT3	PD_MBIAS_FAULT4	Reserved	Reserved		
RW-0h	RW-0h	RW-0h	RW-1h	RW-0h	R-0h		

Table 94. MBDIAG_CFG2 Register Field Descriptions

Bit	Field	Type	Reset	Description
7	PD_MBIAS_FAULT1	RW	0h	Powerdown configuration of MICBIAS fault 1 0b = No powerdown when MICBIAS fault detected 1b = MICBIAS and all ADC channels gets powerdown when low current fault occurs and P0_R40, PD_ON_FLT_CFG = 1d 1b = MICBIAS and all ADC channels gets powerdown when high current fault occurs and P0_R40, PD_ON_FLT_CFG = 2d
6	PD_MBIAS_FAULT2	RW	0h	Powerdown configuration of MICBIAS fault 2 0b = No powerdown when MICBIAS fault detected 1b = MICBIAS and all ADC channels gets powerdown when over voltage fault occurs and P0_R40, PD_ON_FLT_CFG = 1d 1b = MICBIAS and all ADC channels gets powerdown when low current fault occurs and P0_R40, PD_ON_FLT_CFG = 2d
5	PD_MBIAS_FAULT3	RW	0h	Powerdown configuration of MICBIAS fault 3 0b = No powerdown when MICBIAS fault detected 1b = MICBIAS and all ADC channels gets powerdown when over temperature fault occurs and P0_R40, PD_ON_FLT_CFG = 1d 1b = MICBIAS and all ADC channels gets powerdown when over voltage fault occurs and P0_R40, PD_ON_FLT_CFG = 2d
4	PD_MBIAS_FAULT4	RW	1h	Powerdown configuration of MICBIAS fault 4 0b = No powerdown when MICBIAS fault detected 1b = MICBIAS and all ADC channels gets powerdown when high current fault occurs and P0_R40, PD_ON_FLT_CFG = 1d 1b = MICBIAS and all ADC channels gets powerdown when over temperature fault occurs and P0_R40, PD_ON_FLT_CFG = 2d. It is recommended to use this setting to protect chip from over temperature fault.
3	Reserved	RW	0h	Reserved
2-0	Reserved	R	0h	Reserved

8.6.1.3.44 BIAS_CFG Register (page = 0x00, address = 0x3B) [reset = D0h]

This register is the MICBIAS configuration register.

Figure 139. BIAS_CFG Register

7	6	5	4	3	2	1	0
MBIAS_VAL[3:0]				Reserved		Reserved	
RW-Dh				R-0h		RW-0h	

Table 95. BIAS_CFG Register Field Descriptions

Bit	Field	Type	Reset	Description
7-4	MBIAS_VAL[3:0]	RW	Dh	MICBIAS value. 0d = Reserved 1d = Reserved 2d = Reserved 3d = Reserved 4d = Reserved 5d = Reserved 6d = Reserved 7d = Microphone bias is set to 5 V 8d = Microphone bias is set to 5.5 V 9d = Microphone bias is set to 6 V 10d = Microphone bias is set to 6.5 V 11d = Microphone bias is set to 7 V 12d = Microphone bias is set to 7.5 V 13d = Microphone bias is set to 8 V 14d = Microphone bias is set to 8.5 V 15d = Microphone bias is set to 9 V
3-2	Reserved	R	0h	Reserved
1-0	Reserved	RW	0h	Reserved

8.6.1.3.45 CH1_CFG0 Register (page = 0x00, address = 0x3C) [reset = 10h]

This register is configuration register 0 for channel 1.

Figure 140. CH1_CFG0 Register

7	6	5	4	3	2	1	0
CH1_INTYP	CH1_INSRC[1:0]		CH1_DC	CH1_MIC_IN_RANGE	CH1_PGA_CFG[1:0]		CH1_AGCEN
RW-0h	RW-0h		RW-1h	RW-0h	RW-0h		RW-0h

Table 96. CH1_CFG0 Register Field Descriptions

Bit	Field	Type	Reset	Description
7	CH1_INTYP	RW	0h	Channel 1 input type. 0d = Microphone input 1d = Line input
6-5	CH1_INSRC[1:0]	RW	0h	Channel 1 input configuration. 0d = Analog differential input 1d = Analog single-ended input 2d = Reserved 3d = Reserved
4	CH1_DC	RW	1h	Channel 1 input coupling. 0d = AC-coupled input 1d = DC-coupled input
3	CH1_MIC_IN_RANGE	RW	0h	Channel 1 microphone input range. 0d = Low swing mode; Differential input AC signal full-scale of 2-VRMS supported provided DC differential common mode voltage IN1P - IN1M < 4.2 V. Single-ended AC signal 1-VRMS supported provided DC common mode voltage is < 2.1 V. 1d = High swing mode; Differential Input IN1P-IN1M peak voltage up to 14.14 V or single ended 7.07 V supported. User required to adjust the channel gain and digital volume control based on the max signal level used in system.

Table 96. CH1_CFG0 Register Field Descriptions (continued)

Bit	Field	Type	Reset	Description
2-1	CH1_PGA_CFG[1:0]	RW	0h	Channel 1 CMRR Configuration. 0d = High SNR performance mode 1d = Reserved 2d = High CMRR performance mode 3d = Reserved
0	CH1_AGCEN	RW	0h	Channel 1 automatic gain controller (AGC) setting. 0d = AGC disabled 1d = AGC enabled based on the configuration of bit 3 in register 108 (P0_R108); This must be used only with AC-coupled input

8.6.1.3.46 CH1_CFG1 Register (page = 0x00, address = 0x3D) [reset = 0h]

This register is configuration register 1 for channel 1.

Figure 141. CH1_CFG1 Register

7	6	5	4	3	2	1	0
CH1_GAIN[5:0]						Reserved	Reserved
RW-0h						RW-0h	R-0h

Table 97. CH1_CFG1 Register Field Descriptions

Bit	Field	Type	Reset	Description
7-2	CH1_GAIN[5:0]	RW	0h	Channel 1 gain. 0d = Channel gain is set to 0 dB 1d = Channel gain is set to 1 dB 2d = Channel gain is set to 2 dB 3d to 41d = Channel gain is set as per configuration 42d = Channel gain is set to 42 dB 43d to 63d = Reserved
1	Reserved	RW	0h	Reserved
0	Reserved	R	0h	Reserved

8.6.1.3.47 CH1_CFG2 Register (page = 0x00, address = 0x3E) [reset = C9h]

This register is configuration register 2 for channel 1.

Figure 142. CH1_CFG2 Register

7	6	5	4	3	2	1	0
CH1_DVOL[7:0]							
RW-C9h							

Table 98. CH1_CFG2 Register Field Descriptions

Bit	Field	Type	Reset	Description
7-0	CH1_DVOL[7:0]	RW	C9h	Channel 1 digital volume control. 0d = Digital volume is muted 1d = Digital volume control is set to -100 dB 2d = Digital volume control is set to -99.5 dB 3d to 200d = Digital volume control is set as per configuration 201d = Digital volume control is set to 0 dB 202d = Digital volume control is set to 0.5 dB 203d to 253d = Digital volume control is set as per configuration 254d = Digital volume control is set to 26.5 dB 255d = Digital volume control is set to 27 dB

8.6.1.3.48 CH1_CFG3 Register (page = 0x00, address = 0x3F) [reset = 80h]

This register is configuration register 3 for channel 1.

Figure 143. CH1_CFG3 Register

7	6	5	4	3	2	1	0
CH1_GCAL[3:0]				Reserved			
RW-8h				R-0h			

Table 99. CH1_CFG3 Register Field Descriptions

Bit	Field	Type	Reset	Description
7-4	CH1_GCAL[3:0]	RW	8h	Channel 1 gain calibration. 0d = Gain calibration is set to -0.8 dB 1d = Gain calibration is set to -0.7 dB 2d = Gain calibration is set to -0.6 dB 3d to 7d = Gain calibration is set as per configuration 8d = Gain calibration is set to 0 dB 9d = Gain calibration is set to 0.1 dB 10d to 13d = Gain calibration is set as per configuration 14d = Gain calibration is set to 0.6 dB 15d = Gain calibration is set to 0.7 dB
3-0	Reserved	R	0h	Reserved

8.6.1.3.49 CH1_CFG4 Register (page = 0x00, address = 0x40) [reset = 0h]

This register is configuration register 4 for channel 1.

Figure 144. CH1_CFG4 Register

7	6	5	4	3	2	1	0
CH1_PCAL[7:0]							
RW-0h							

Table 100. CH1_CFG4 Register Field Descriptions

Bit	Field	Type	Reset	Description
7-0	CH1_PCAL[7:0]	RW	0h	Channel 1 phase calibration with modulator clock resolution. 0d = No phase calibration 1d = Phase calibration delay is set to one cycle of the modulator clock 2d = Phase calibration delay is set to two cycles of the modulator clock 3d to 254d = Phase calibration delay as per configuration 255d = Phase calibration delay is set to 255 cycles of the modulator clock

8.6.1.3.50 CH2_CFG0 Register (page = 0x00, address = 0x41) [reset = 10h]

This register is configuration register 0 for channel 2.

Figure 145. CH2_CFG0 Register

7	6	5	4	3	2	1	0
CH2_INTYP	CH2_INSRC[1:0]		CH2_DC	CH2_MIC_IN_RANGE	CH2_PGA_CFG[1:0]		CH2_AGCEN
RW-0h	RW-0h		RW-1h	RW-0h	RW-0h		RW-0h

Table 101. CH2_CFG0 Register Field Descriptions

Bit	Field	Type	Reset	Description
7	CH2_INTYP	RW	0h	Channel 2 input type. 0d = Microphone input 1d = Line input
6-5	CH2_INSRC[1:0]	RW	0h	Channel 2 input configuration. 0d = Analog differential input 1d = Analog single-ended input 2d = Reserved 3d = Reserved

Table 101. CH2_CFG0 Register Field Descriptions (continued)

Bit	Field	Type	Reset	Description
4	CH2_DC	RW	1h	Channel 2 input coupling. 0d = AC-coupled input 1d = DC-coupled input
3	CH2_MIC_IN_RANGE	RW	0h	Channel 2 microphone input range. 0d = Low swing mode; Differential input AC signal full-scale of 2-VRMS supported provided DC differential common mode voltage IN1P - IN1M < 4.2 V. Single-ended AC signal 1-VRMS supported provided DC common mode voltage is < 2.1 V. 1d = High swing mode; Differential Input IN1P-IN1M peak voltage up to 14.14 V or single ended 7.07 V supported. User required to adjust the channel gain and digital volume control based on the max signal level used in system.
2-1	CH2_PGA_CFG[1:0]	RW	0h	Channel 2 CMRR Configuration. 0d = High SNR performance mode 1d = Reserved 2d = High CMRR performance mode 3d = Reserved
0	CH2_AGCEN	RW	0h	Channel 2 automatic gain controller (AGC) setting. 0d = AGC disabled 1d = AGC enabled based on the configuration of bit 3 in register 108 (P0_R108); This must be used only with AC-coupled input

8.6.1.3.51 CH2_CFG1 Register (page = 0x00, address = 0x42) [reset = 0h]

This register is configuration register 1 for channel 2.

Figure 146. CH2_CFG1 Register

7	6	5	4	3	2	1	0
CH2_GAIN[5:0]						Reserved	Reserved
RW-0h						RW-0h	R-0h

Table 102. CH2_CFG1 Register Field Descriptions

Bit	Field	Type	Reset	Description
7-2	CH2_GAIN[5:0]	RW	0h	Channel 2 gain. 0d = Channel gain is set to 0 dB 1d = Channel gain is set to 1 dB 2d = Channel gain is set to 2 dB 3d to 41d = Channel gain is set as per configuration 42d = Channel gain is set to 42 dB 43d to 63d = Reserved
1	Reserved	RW	0h	Reserved
0	Reserved	R	0h	Reserved

8.6.1.3.52 CH2_CFG2 Register (page = 0x00, address = 0x43) [reset = C9h]

This register is configuration register 2 for channel 2.

Figure 147. CH2_CFG2 Register

7	6	5	4	3	2	1	0
CH2_DVOL[7:0]							
RW-C9h							

Table 103. CH2_CFG2 Register Field Descriptions

Bit	Field	Type	Reset	Description
7-0	CH2_DVOL[7:0]	RW	C9h	Channel 2 digital volume control. 0d = Digital volume is muted 1d = Digital volume control is set to -100 dB 2d = Digital volume control is set to -99.5 dB 3d to 200d = Digital volume control is set as per configuration 201d = Digital volume control is set to 0 dB 202d = Digital volume control is set to 0.5 dB 203d to 253d = Digital volume control is set as per configuration 254d = Digital volume control is set to 26.5 dB 255d = Digital volume control is set to 27 dB

8.6.1.3.53 CH2_CFG3 Register (page = 0x00, address = 0x44) [reset = 80h]

This register is configuration register 3 for channel 2.

Figure 148. CH2_CFG3 Register

7	6	5	4	3	2	1	0
CH2_GCAL[3:0]				Reserved			
RW-8h				R-0h			

Table 104. CH2_CFG3 Register Field Descriptions

Bit	Field	Type	Reset	Description
7-4	CH2_GCAL[3:0]	RW	8h	Channel 2 gain calibration. 0d = Gain calibration is set to -0.8 dB 1d = Gain calibration is set to -0.7 dB 2d = Gain calibration is set to -0.6 dB 3d to 7d = Gain calibration is set as per configuration 8d = Gain calibration is set to 0 dB 9d = Gain calibration is set to 0.1 dB 10d to 13d = Gain calibration is set as per configuration 14d = Gain calibration is set to 0.6 dB 15d = Gain calibration is set to 0.7 dB
3-0	Reserved	R	0h	Reserved

8.6.1.3.54 CH2_CFG4 Register (page = 0x00, address = 0x45) [reset = 0h]

This register is configuration register 4 for channel 2.

Figure 149. CH2_CFG4 Register

7	6	5	4	3	2	1	0
CH2_PCAL[7:0]							
RW-0h							

Table 105. CH2_CFG4 Register Field Descriptions

Bit	Field	Type	Reset	Description
7-0	CH2_PCAL[7:0]	RW	0h	Channel 2 phase calibration with modulator clock resolution. 0d = No phase calibration 1d = Phase calibration delay is set to one cycle of the modulator clock 2d = Phase calibration delay is set to two cycles of the modulator clock 3d to 254d = Phase calibration delay as per configuration 255d = Phase calibration delay is set to 255 cycles of the modulator clock

8.6.1.3.55 CH3_CFG0 Register (page = 0x00, address = 0x46) [reset = 10h]

This register is configuration register 0 for channel 3.

Figure 150. CH3_CFG0 Register

7	6	5	4	3	2	1	0
CH3_INTYP	CH3_INSRC[1:0]		CH3_DC	CH3_MIC_IN_RANGE	CH3_PGA_CFG[1:0]		CH3_AGCEN
RW-0h	RW-0h		RW-1h	RW-0h	RW-0h		RW-0h

Table 106. CH3_CFG0 Register Field Descriptions

Bit	Field	Type	Reset	Description
7	CH3_INTYP	RW	0h	Channel 3 input type. 0d = Microphone input 1d = Line input
6-5	CH3_INSRC[1:0]	RW	0h	Channel 3 input configuration. 0d = Analog differential input 1d = Analog single-ended input 2d = Reserved 3d = Reserved
4	CH3_DC	RW	1h	Channel 3 input coupling. 0d = AC-coupled input 1d = DC-coupled input
3	CH3_MIC_IN_RANGE	RW	0h	Channel 3 microphone input range. 0d = Low swing mode; Differential input AC signal full-scale of 2-VRMS supported provided DC differential common mode voltage IN1P - IN1M < 4.2 V. Single-ended AC signal 1-VRMS supported provided DC common mode voltage is < 2.1 V. 1d = High swing mode; Differential Input IN1P-IN1M peak voltage up to 14.14 V or single ended 7.07 V supported. User required to adjust the channel gain and digital volume control based on the max signal level used in system.
2-1	CH3_PGA_CFG[1:0]	RW	0h	Channel 3 CMRR Configuration. 0d = High SNR performance mode 1d = Reserved 2d = High CMRR performance mode 3d = Reserved
0	CH3_AGCEN	RW	0h	Channel 3 automatic gain controller (AGC) setting. 0d = AGC disabled 1d = AGC enabled based on the configuration of bit 3 in register 108 (P0_R108); This must be used only with AC-coupled input

8.6.1.3.56 CH3_CFG1 Register (page = 0x00, address = 0x47) [reset = 0h]

This register is configuration register 1 for channel 3.

Figure 151. CH3_CFG1 Register

7	6	5	4	3	2	1	0
CH3_GAIN[5:0]						Reserved	Reserved
RW-0h						RW-0h	R-0h

Table 107. CH3_CFG1 Register Field Descriptions

Bit	Field	Type	Reset	Description
7-2	CH3_GAIN[5:0]	RW	0h	Channel 3 gain. 0d = Channel gain is set to 0 dB 1d = Channel gain is set to 1 dB 2d = Channel gain is set to 2 dB 3d to 41d = Channel gain is set as per configuration 42d = Channel gain is set to 42 dB 43d to 63d = Reserved
1	Reserved	RW	0h	Reserved
0	Reserved	R	0h	Reserved

8.6.1.3.57 CH3_CFG2 Register (page = 0x00, address = 0x48) [reset = C9h]

This register is configuration register 2 for channel 3.

Figure 152. CH3_CFG2 Register

7	6	5	4	3	2	1	0
CH3_DVOL[7:0]							
RW-C9h							

Table 108. CH3_CFG2 Register Field Descriptions

Bit	Field	Type	Reset	Description
7-0	CH3_DVOL[7:0]	RW	C9h	Channel 3 digital volume control. 0d = Digital volume is muted 1d = Digital volume control is set to -100 dB 2d = Digital volume control is set to -99.5 dB 3d to 200d = Digital volume control is set as per configuration 201d = Digital volume control is set to 0 dB 202d = Digital volume control is set to 0.5 dB 203d to 253d = Digital volume control is set as per configuration 254d = Digital volume control is set to 26.5 dB 255d = Digital volume control is set to 27 dB

8.6.1.3.58 CH3_CFG3 Register (page = 0x00, address = 0x49) [reset = 80h]

This register is configuration register 3 for channel 3.

Figure 153. CH3_CFG3 Register

7	6	5	4	3	2	1	0
CH3_GCAL[3:0]				Reserved			
RW-8h				R-0h			

Table 109. CH3_CFG3 Register Field Descriptions

Bit	Field	Type	Reset	Description
7-4	CH3_GCAL[3:0]	RW	8h	Channel 3 gain calibration. 0d = Gain calibration is set to -0.8 dB 1d = Gain calibration is set to -0.7 dB 2d = Gain calibration is set to -0.6 dB 3d to 7d = Gain calibration is set as per configuration 8d = Gain calibration is set to 0 dB 9d = Gain calibration is set to 0.1 dB 10d to 13d = Gain calibration is set as per configuration 14d = Gain calibration is set to 0.6 dB 15d = Gain calibration is set to 0.7 dB
3-0	Reserved	R	0h	Reserved

8.6.1.3.59 CH3_CFG4 Register (page = 0x00, address = 0x4A) [reset = 0h]

This register is configuration register 4 for channel 3.

Figure 154. CH3_CFG4 Register

7	6	5	4	3	2	1	0
CH3_PCAL[7:0]							
RW-0h							

Table 110. CH3_CFG4 Register Field Descriptions

Bit	Field	Type	Reset	Description
7-0	CH3_PCAL[7:0]	RW	0h	Channel 3 phase calibration with modulator clock resolution. 0d = No phase calibration 1d = Phase calibration delay is set to one cycle of the modulator clock 2d = Phase calibration delay is set to two cycles of the modulator clock 3d to 254d = Phase calibration delay as per configuration 255d = Phase calibration delay is set to 255 cycles of the modulator clock

8.6.1.3.60 CH4_CFG0 Register (page = 0x00, address = 0x4B) [reset = 10h]

This register is configuration register 0 for channel 4.

Figure 155. CH4_CFG0 Register

7	6	5	4	3	2	1	0
CH4_INTYP	CH4_INSRC[1:0]		CH4_DC	CH4_MIC_IN_RANGE	CH4_PGA_CFG[1:0]		CH4_AGCEN
RW-0h	RW-0h		RW-1h	RW-0h	RW-0h		RW-0h

Table 111. CH4_CFG0 Register Field Descriptions

Bit	Field	Type	Reset	Description
7	CH4_INTYP	RW	0h	Channel 4 input type. 0d = Microphone input 1d = Line input
6-5	CH4_INSRC[1:0]	RW	0h	Channel 4 input configuration. 0d = Analog differential input 1d = Analog single-ended input 2d = Reserved 3d = Reserved
4	CH4_DC	RW	1h	Channel 4 input coupling. 0d = AC-coupled input 1d = DC-coupled input
3	CH4_MIC_IN_RANGE	RW	0h	Channel 4 microphone input range. 0d = Low swing mode; Differential input AC signal full-scale of 2-VRMS supported provided DC differential common mode voltage IN1P - IN1M < 4.2 V. Single-ended AC signal 1-VRMS supported provided DC common mode voltage is < 2.1 V. 1d = High swing mode; Differential Input IN1P-IN1M peak voltage up to 14.14 V or single ended 7.07 V supported. User required to adjust the channel gain and digital volume control based on the max signal level used in system.
2-1	CH4_PGA_CFG[1:0]	RW	0h	Channel 4 CMRR Configuration. 0d = High SNR performance mode 1d = Reserved 2d = High CMRR performance mode 3d = Reserved
0	CH4_AGCEN	RW	0h	Channel 4 automatic gain controller (AGC) setting. 0d = AGC disabled 1d = AGC enabled based on the configuration of bit 3 in register 108 (P0_R108); This must be used only with AC-coupled input

8.6.1.3.61 CH4_CFG1 Register (page = 0x00, address = 0x4C) [reset = 0h]

This register is configuration register 1 for channel 4.

Figure 156. CH4_CFG1 Register

7	6	5	4	3	2	1	0
CH4_GAIN[5:0]						Reserved	Reserved
RW-0h						RW-0h	R-0h

Table 112. CH4_CFG1 Register Field Descriptions

Bit	Field	Type	Reset	Description
7-2	CH4_GAIN[5:0]	RW	0h	Channel 4 gain. 0d = Channel gain is set to 0 dB 1d = Channel gain is set to 1 dB 2d = Channel gain is set to 2 dB 3d to 41d = Channel gain is set as per configuration 42d = Channel gain is set to 42 dB 43d to 63d = Reserved
1	Reserved	RW	0h	Reserved
0	Reserved	R	0h	Reserved

8.6.1.3.62 CH4_CFG2 Register (page = 0x00, address = 0x4D) [reset = C9h]

This register is configuration register 2 for channel 4.

Figure 157. CH4_CFG2 Register

7	6	5	4	3	2	1	0
CH4_DVOL[7:0]							
RW-C9h							

Table 113. CH4_CFG2 Register Field Descriptions

Bit	Field	Type	Reset	Description
7-0	CH4_DVOL[7:0]	RW	C9h	Channel 4 digital volume control. 0d = Digital volume is muted 1d = Digital volume control is set to -100 dB 2d = Digital volume control is set to -99.5 dB 3d to 200d = Digital volume control is set as per configuration 201d = Digital volume control is set to 0 dB 202d = Digital volume control is set to 0.5 dB 203d to 253d = Digital volume control is set as per configuration 254d = Digital volume control is set to 26.5 dB 255d = Digital volume control is set to 27 dB

8.6.1.3.63 CH4_CFG3 Register (page = 0x00, address = 0x4E) [reset = 80h]

This register is configuration register 3 for channel 4.

Figure 158. CH4_CFG3 Register

7	6	5	4	3	2	1	0
CH4_GCAL[3:0]				Reserved			
RW-8h				R-0h			

Table 114. CH4_CFG3 Register Field Descriptions

Bit	Field	Type	Reset	Description
7-4	CH4_GCAL[3:0]	RW	8h	Channel 4 gain calibration. 0d = Gain calibration is set to -0.8 dB 1d = Gain calibration is set to -0.7 dB 2d = Gain calibration is set to -0.6 dB 3d to 7d = Gain calibration is set as per configuration 8d = Gain calibration is set to 0 dB 9d = Gain calibration is set to 0.1 dB 10d to 13d = Gain calibration is set as per configuration 14d = Gain calibration is set to 0.6 dB 15d = Gain calibration is set to 0.7 dB
3-0	Reserved	R	0h	Reserved

8.6.1.3.64 CH4_CFG4 Register (page = 0x00, address = 0x4F) [reset = 0h]

This register is configuration register 4 for channel 4.

Figure 159. CH4_CFG4 Register

7	6	5	4	3	2	1	0
CH4_PCAL[7:0]							
RW-0h							

Table 115. CH4_CFG4 Register Field Descriptions

Bit	Field	Type	Reset	Description
7-0	CH4_PCAL[7:0]	RW	0h	Channel 4 phase calibration with modulator clock resolution. 0d = No phase calibration 1d = Phase calibration delay is set to one cycle of the modulator clock 2d = Phase calibration delay is set to two cycles of the modulator clock 3d to 254d = Phase calibration delay as per configuration 255d = Phase calibration delay is set to 255 cycles of the modulator clock

8.6.1.3.65 CH5_CFG0 Register (page = 0x00, address = 0x50) [reset = 10h]

This register is configuration register 0 for channel 5.

Figure 160. CH5_CFG0 Register

7	6	5	4	3	2	1	0
CH5_INTYP	CH5_INSRC[1:0]		CH5_DC	CH5_MIC_IN_RANGE	CH5_PGA_CFG[1:0]		CH5_AGCEN
RW-0h	RW-0h		RW-1h	RW-0h	RW-0h		RW-0h

Table 116. CH5_CFG0 Register Field Descriptions

Bit	Field	Type	Reset	Description
7	CH5_INTYP	RW	0h	Channel 5 input type. 0d = Microphone input 1d = Line input
6-5	CH5_INSRC[1:0]	RW	0h	Channel 5 input configuration. 0d = Analog differential input 1d = Analog single-ended input 2d = Reserved
4	CH5_DC	RW	1h	Channel 5 input coupling. 0d = AC-coupled input 1d = DC-coupled input
3	CH5_MIC_IN_RANGE	RW	0h	Channel 5 microphone input range. 0d = Low swing mode; Differential input AC signal full-scale of 2-VRMS supported provided DC differential common mode voltage IN1P - IN1M < 4.2 V. Single-ended AC signal 1-VRMS supported provided DC common mode voltage is < 2.1 V. 1d = High swing mode; Differential Input IN1P-IN1M peak voltage up to 14.14 V or single ended 7.07 V supported. User required to adjust the channel gain and digital volume control based on the max signal level used in system.
2-1	CH5_PGA_CFG[1:0]	RW	0h	Channel 5 CMRR Configuration. 0d = High SNR performance mode 1d = Reserved 2d = High CMRR performance mode 3d = Reserved
0	CH5_AGCEN	RW	0h	Channel 5 automatic gain controller (AGC) setting. 0d = AGC disabled 1d = AGC enabled based on the configuration of bit 3 in register 108 (P0_R108); This must be used only with AC-coupled input

8.6.1.3.66 CH5_CFG1 Register (page = 0x00, address = 0x51) [reset = 0h]

This register is configuration register 1 for channel 5. Applicable only for PCM6x60-Q1.

Figure 161. CH5_CFG1 Register

7	6	5	4	3	2	1	0
CH5_GAIN[5:0]						Reserved	Reserved
RW-0h						RW-0h	R-0h

Table 117. CH5_CFG1 Register Field Descriptions

Bit	Field	Type	Reset	Description
7-2	CH5_GAIN[5:0]	RW	0h	Channel 5 gain. 0d = Channel gain is set to 0 dB 1d = Channel gain is set to 1 dB 2d = Channel gain is set to 2 dB 3d to 41d = Channel gain is set as per configuration 42d = Channel gain is set to 42 dB 43d to 63d = Reserved
1	Reserved	RW	0h	Reserved
0	Reserved	R	0h	Reserved

8.6.1.3.67 CH5_CFG2 Register (page = 0x00, address = 0x52) [reset = C9h]

This register is configuration register 2 for channel 5. Applicable only for PCM6x60-Q1.

Figure 162. CH5_CFG2 Register

7	6	5	4	3	2	1	0
CH5_DVOL[7:0]							
RW-C9h							

Table 118. CH5_CFG2 Register Field Descriptions

Bit	Field	Type	Reset	Description
7-0	CH5_DVOL[7:0]	RW	C9h	Channel 5 digital volume control. 0d = Digital volume is muted 1d = Digital volume control is set to -100 dB 2d = Digital volume control is set to -99.5 dB 3d to 200d = Digital volume control is set as per configuration 201d = Digital volume control is set to 0 dB 202d = Digital volume control is set to 0.5 dB 203d to 253d = Digital volume control is set as per configuration 254d = Digital volume control is set to 26.5 dB 255d = Digital volume control is set to 27 dB

8.6.1.3.68 CH5_CFG3 Register (page = 0x00, address = 0x53) [reset = 80h]

This register is configuration register 3 for channel 5. Applicable only for PCM6x60-Q1.

Figure 163. CH5_CFG3 Register

7	6	5	4	3	2	1	0
CH5_GCAL[3:0]				Reserved			
RW-8h				R-0h			

Table 119. CH5_CFG3 Register Field Descriptions

Bit	Field	Type	Reset	Description
7-4	CH5_GCAL[3:0]	RW	8h	Channel 5 gain calibration. 0d = Gain calibration is set to -0.8 dB 1d = Gain calibration is set to -0.7 dB 2d = Gain calibration is set to -0.6 dB 3d to 7d = Gain calibration is set as per configuration 8d = Gain calibration is set to 0 dB 9d = Gain calibration is set to 0.1 dB 10d to 13d = Gain calibration is set as per configuration 14d = Gain calibration is set to 0.6 dB 15d = Gain calibration is set to 0.7 dB
3-0	Reserved	R	0h	Reserved

8.6.1.3.69 CH5_CFG4 Register (page = 0x00, address = 0x54) [reset = 0h]

This register is configuration register 4 for channel 5. Applicable only for PCM6x60-Q1.

Figure 164. CH5_CFG4 Register

7	6	5	4	3	2	1	0
CH5_PCAL[7:0]							
RW-0h							

Table 120. CH5_CFG4 Register Field Descriptions

Bit	Field	Type	Reset	Description
7-0	CH5_PCAL[7:0]	RW	0h	Channel 5 phase calibration with modulator clock resolution. 0d = No phase calibration 1d = Phase calibration delay is set to one cycle of the modulator clock 2d = Phase calibration delay is set to two cycles of the modulator clock 3d to 254d = Phase calibration delay as per configuration 255d = Phase calibration delay is set to 255 cycles of the modulator clock

8.6.1.3.70 CH6_CFG0 Register (page = 0x00, address = 0x55) [reset = 10h]

This register is configuration register 0 for channel 6.

Figure 165. CH6_CFG0 Register

7	6	5	4	3	2	1	0
CH6_INTYP	CH6_INSRC[1:0]		CH6_DC	CH6_MIC_IN_RANGE	CH6_PGA_CFG[1:0]		CH6_AGCEN
RW-0h	RW-0h		RW-1h	RW-0h	RW-0h		RW-0h

Table 121. CH6_CFG0 Register Field Descriptions

Bit	Field	Type	Reset	Description
7	CH6_INTYP	RW	0h	Channel 6 input type. 0d = Microphone input 1d = Line input
6-5	CH6_INSRC[1:0]	RW	0h	Channel 6 input configuration. 0d = Analog differential input 1d = Analog single-ended input 2d = Reserved
4	CH6_DC	RW	1h	Channel 6 input coupling. 0d = AC-coupled input 1d = DC-coupled input

Table 121. CH6_CFG0 Register Field Descriptions (continued)

Bit	Field	Type	Reset	Description
3	CH6_MIC_IN_RANGE	RW	0h	Channel 6 microphone input range. 0d = Low swing mode; Differential input AC signal full-scale of 2-VRMS supported provided DC differential common mode voltage IN1P - IN1M < 4.2 V. Single-ended AC signal 1-VRMS supported provided DC common mode voltage is < 2.1 V. 1d = High swing mode; Differential Input IN1P-IN1M peak voltage up to 14.14 V or single ended 7.07 V supported. User required to adjust the channel gain and digital volume control based on the max signal level used in system.
2-1	CH6_PGA_CFG[1:0]	RW	0h	Channel 6 CMRR Configuration. 0d = High SNR performance mode 1d = Reserved 2d = High CMRR performance mode 3d = Reserved
0	CH6_AGCEN	RW	0h	Channel 6 automatic gain controller (AGC) setting. 0d = AGC disabled 1d = AGC enabled based on the configuration of bit 3 in register 108 (P0_R108); This must be used only with AC-coupled input

8.6.1.3.71 CH6_CFG1 Register (page = 0x00, address = 0x56) [reset = 0h]

This register is configuration register 1 for channel 6. Applicable only for PCM6x60-Q1.

Figure 166. CH6_CFG1 Register

7	6	5	4	3	2	1	0
CH6_GAIN[5:0]						Reserved	Reserved
RW-0h						RW-0h	R-0h

Table 122. CH6_CFG1 Register Field Descriptions

Bit	Field	Type	Reset	Description
7-2	CH6_GAIN[5:0]	RW	0h	Channel 6 gain. 0d = Channel gain is set to 0 dB 1d = Channel gain is set to 1 dB 2d = Channel gain is set to 2 dB 3d to 41d = Channel gain is set as per configuration 42d = Channel gain is set to 42 dB 43d to 63d = Reserved
1	Reserved	RW	0h	Reserved
0	Reserved	R	0h	Reserved

8.6.1.3.72 CH6_CFG2 Register (page = 0x00, address = 0x57) [reset = C9h]

This register is configuration register 2 for channel 6. Applicable only for PCM6x60-Q1.

Figure 167. CH6_CFG2 Register

7	6	5	4	3	2	1	0
CH6_DVOL[7:0]							
RW-C9h							

Table 123. CH6_CFG2 Register Field Descriptions

Bit	Field	Type	Reset	Description
7-0	CH6_DVOL[7:0]	RW	C9h	Channel 6 digital volume control. 0d = Digital volume is muted 1d = Digital volume control is set to -100 dB 2d = Digital volume control is set to -99.5 dB 3d to 200d = Digital volume control is set as per configuration 201d = Digital volume control is set to 0 dB 202d = Digital volume control is set to 0.5 dB 203d to 253d = Digital volume control is set as per configuration 254d = Digital volume control is set to 26.5 dB 255d = Digital volume control is set to 27 dB

8.6.1.3.73 CH6_CFG3 Register (page = 0x00, address = 0x58) [reset = 80h]

This register is configuration register 3 for channel 6. Applicable only for PCM6x60-Q1.

Figure 168. CH6_CFG3 Register

7	6	5	4	3	2	1	0
CH6_GCAL[3:0]				Reserved			
RW-8h				R-0h			

Table 124. CH6_CFG3 Register Field Descriptions

Bit	Field	Type	Reset	Description
7-4	CH6_GCAL[3:0]	RW	8h	Channel 6 gain calibration. 0d = Gain calibration is set to -0.8 dB 1d = Gain calibration is set to -0.7 dB 2d = Gain calibration is set to -0.6 dB 3d to 7d = Gain calibration is set as per configuration 8d = Gain calibration is set to 0 dB 9d = Gain calibration is set to 0.1 dB 10d to 13d = Gain calibration is set as per configuration 14d = Gain calibration is set to 0.6 dB 15d = Gain calibration is set to 0.7 dB
3-0	Reserved	R	0h	Reserved

8.6.1.3.74 CH6_CFG4 Register (page = 0x00, address = 0x59) [reset = 0h]

This register is configuration register 4 for channel 6. Applicable only for PCM6x60-Q1.

Figure 169. CH6_CFG4 Register

7	6	5	4	3	2	1	0
CH6_PCAL[7:0]							
RW-0h							

Table 125. CH6_CFG4 Register Field Descriptions

Bit	Field	Type	Reset	Description
7-0	CH6_PCAL[7:0]	RW	0h	Channel 6 phase calibration with modulator clock resolution. 0d = No phase calibration 1d = Phase calibration delay is set to one cycle of the modulator clock 2d = Phase calibration delay is set to two cycles of the modulator clock 3d to 254d = Phase calibration delay as per configuration 255d = Phase calibration delay is set to 255 cycles of the modulator clock

8.6.1.3.75 DIAG_CFG0 Register (page = 0x00, address = 0x64) [reset = 0h]

This register is configuration register 0 for input fault diagnostics setting.

Figure 170. DIAG_CFG0 Register

7	6	5	4	3	2	1	0
CH1_DIAG_EN	CH2_DIAG_EN	CH3_DIAG_EN	CH4_DIAG_EN	CH5_DIAG_EN	CH6_DIAG_EN	INCL_SE_INM	INCL_AC_COUP
RW-0h	RW-0h	RW-0h	RW-0h	RW-0h	RW-0h	RW-0h	RW-0h

Table 126. DIAG_CFG0 Register Field Descriptions

Bit	Field	Type	Reset	Description
7	CH1_DIAG_EN	RW	0h	Channel 1 input (IN1P and IN1M) scan for diagnostics. 0b = Diagnostic disabled 1b = Diagnostic enabled
6	CH2_DIAG_EN	RW	0h	Channel 2 input (IN2P and IN2M) scan for diagnostics. 0b = Diagnostic disabled 1b = Diagnostic enabled
5	CH3_DIAG_EN	RW	0h	Channel 3 input (IN3P and IN3M) scan for diagnostics. 0b = Diagnostic disabled 1b = Diagnostic enabled
4	CH4_DIAG_EN	RW	0h	Channel 4 input (IN4P and IN4M) scan for diagnostics. 0b = Diagnostic disabled 1b = Diagnostic enabled
3	CH5_DIAG_EN	RW	0h	Channel 5 input (IN5P and IN5M) scan for diagnostics. Applicable only for PCM6x60-Q1. 0b = Diagnostic disabled 1b = Diagnostic enabled
2	CH6_DIAG_EN	RW	0h	Channel 6 input (IN6P and IN6M) scan for diagnostics. Applicable only for PCM6x60-Q1. 0b = Diagnostic disabled 1b = Diagnostic enabled
1	INCL_SE_INM	RW	0h	INxM pin diagnostics scan selection for single-ended configuration. 0b = INxM pins of single-ended channels are excluded for diagnosis 1b = INxM pins of single-ended channels are included for diagnosis
0	INCL_AC_COUP	RW	0h	AC-coupled channels pins scan selection for diagnostics. 0b = INxP and INxM pins of AC-coupled channels are excluded for diagnosis 1b = INxP and INxM pins of AC-coupled channels are included for diagnosis

8.6.1.3.76 DIAG_CFG1 Register (page = 0x00, address = 0x65) [reset = 37h]

This register is configuration register 1 for input fault diagnostics setting.

Figure 171. DIAG_CFG1 Register

7	6	5	4	3	2	1	0
DIAG_SHT_TERM[3:0]				DIAG_SHT_VBAT_IN[3:0]			
RW-3h				RW-7h			

Table 127. DIAG_CFG1 Register Field Descriptions

Bit	Field	Type	Reset	Description
7-4	DIAG_SHT_TERM[3:0]	RW	3h	INxP and INxM terminal short detect threshold. 0d = INxP and INxM terminal short detect threshold value is 0 mV (typ) 1d = INxP and INxM terminal short detect threshold value is 30 mV (typ) 2d = INxP and INxM terminal short detect threshold value is 60 mV (typ) 10d to 13d = INxP and INxM terminal short detect threshold value is set as per configuration 14d = INxP and INxM terminal short detect threshold value is 420 mV (typ) 15d = INxP and INxM terminal short detect threshold value is 450 mV (typ)

Table 127. DIAG_CFG1 Register Field Descriptions (continued)

Bit	Field	Type	Reset	Description
3-0	DIAG_SHT_VBAT_IN[3:0]	RW	7h	Short to VBAT_IN detect threshold. 0d = Short to VBAT_IN detect threshold value is 0 mV (typ) 1d = Short to VBAT_IN detect threshold value is 30 mV (typ) 2d = Short to VBAT_IN detect threshold value is 60 mV (typ) 10d to 13d = Short to VBAT_IN detect threshold value is set as per configuration 14d = Short to VBAT_IN detect threshold value is 420 mV (typ) 15d = Short to VBAT_IN detect threshold value is 450 mV (typ)

8.6.1.3.77 DIAG_CFG2 Register (page = 0x00, address = 0x66) [reset = 87h]

This register is configuration register 2 for input fault diagnostics setting.

Figure 172. DIAG_CFG2 Register

7	6	5	4	3	2	1	0
DIAG_SHT_GND[3:0]				DIAG_SHT_MICBIAS[3:0]			
RW-8h				RW-7h			

Table 128. DIAG_CFG2 Register Field Descriptions

Bit	Field	Type	Reset	Description
7-4	DIAG_SHT_GND[3:0]	RW	8h	Short to ground detect threshold. 0d = Short to ground detect threshold value is 0 mV (typ) 1d = Short to ground detect threshold value is 60 mV (typ) 2d = Short to ground detect threshold value is 120 mV (typ) 10d to 13d = Short to ground detect threshold value is set as per configuration 14d = Short to ground detect threshold value is 840 mV (typ) 15d = Short to ground detect threshold value is 900 mV (typ)
3-0	DIAG_SHT_MICBIAS[3:0]	RW	7h	Short to MICBIAS detect threshold. 0d = Short to MICBIAS detect threshold value is 0 mV (typ) 1d = Short to MICBIAS detect threshold value is 30 mV (typ) 2d = Short to MICBIAS detect threshold value is 60 mV (typ) 10d to 13d = Short to MICBIAS detect threshold value is set as per configuration 14d = Short to MICBIAS detect threshold value is 420 mV (typ) 15d = Short to MICBIAS detect threshold value is 450 mV (typ)

8.6.1.3.78 DIAG_CFG3 Register (page = 0x00, address = 0x67) [reset = B8h]

This register is configuration register 3 for input fault diagnostics setting.

Figure 173. DIAG_CFG3 Register

7	6	5	4	3	2	1	0
RESP_TIME[1:0]		Reserved		FAULT_DBNCE_SEL[1:0]		VSHORT_DBNCE	DIAG_2X_THRES
RW-2h		RW-3h		RW-2h		RW-0h	RW-0h

Table 129. DIAG_CFG3 Register Field Descriptions

Bit	Field	Type	Reset	Description
7-6	RESP_TIME[1:0]	RW	2h	Fault monitoring scan repetition rate. 0d = Countinous back to back scanning of selected channels input pins without any idle time 1d = Fault monitoring repetition rate of 1 ms for selectd channels input pins scanning 2d = Fault monitoring repetition rate of 4 ms for selectd channels input pins scanning 3d = Fault monitoring repetition rate of 8 ms for selectd channels input pins scanning
5-4	Reserved	RW	3h	Reserved

Table 129. DIAG_CFG3 Register Field Descriptions (continued)

Bit	Field	Type	Reset	Description
3-2	FAULT_DBNCE_SEL[1:0]	RW	2h	Debounce count for all the faults (except VBAT_IN short when VBAT_IN < MICBIAS). 0b = 16 counts for debounce to filter-out any false faults detection 1b = 8 counts for debounce to filter-out any false faults detection 2b = 4 counts for debounce to filter-out any false faults detection 3b = No debounce count
1	VSHORT_DBNCE	RW	0h	VBAT_IN short debounce count only when VBAT_IN < MICBIAS. 0b = 16 counts for debounce to filter-out any false faults detection 1b = 8 counts for debounce to filter-out any false faults detection
0	DIAG_2X_THRES	RW	0h	Diagnostic thresholds range scale. 0d = Thresholds same as configured in P0_R101 and P0_R102 1d = All the configuration thresholds gets scale by 2 times

8.6.1.3.79 DIAG_CFG4 Register (page = 0x00, address = 0x68) [reset = 0h]

This register is configuration register 4 for input fault diagnostics setting.

Figure 174. DIAG_CFG4 Register

7	6	5	4	3	2	1	0
DIAG_MOV_AVG_CFG[1:0]		MOV_AVG_DIS_MBIAS_LOAD	MOV_AVG_DIS_TEMP_SENS	Reserved			
RW-0h		RW-0h	RW-0h	R-0h			

Table 130. DIAG_CFG4 Register Field Descriptions

Bit	Field	Type	Reset	Description
7-6	DIAG_MOV_AVG_CFG[1:0]	RW	0h	Moving average configuration. 0d = Moving average disabled 1d = Moving average enabled with 0.5 weightage for old scanned data and new scanned data 2d = Moving average enabled with 0.75 weightage for old scanned data and 0.25 weightage for new scanned data 3d = Reserved
5	MOV_AVG_DIS_MBIAS_LOAD	RW	0h	Moving average configuration for MICBIAS high and low load current fault detection 0b = Moving average as defined by DIAG_MOV_AVG_CFG setting 1b = Moving average is forced disabled for MICBIAS load current fault detection to achieve faster response time
4	MOV_AVG_DIS_TEMP_SENS	RW	0h	Moving average configuration for over temperature fault detection 0b = Moving average as defined by DIAG_MOV_AVG_CFG setting 1b = Moving average is forced disabled for over temperature fault detection to achieve faster response time
3-0	Reserved	R	0h	Reserved

8.6.1.3.80 DSP_CFG0 Register (page = 0x00, address = 0x6B) [reset = 1h]

This register is the digital signal processor (DSP) configuration register 0.

Figure 175. DSP_CFG0 Register

7	6	5	4	3	2	1	0
Reserved		DECI_FILT[1:0]		CH_SUM[1:0]		HPF_SEL[1:0]	
R-0h		RW-0h		RW-0h		RW-1h	

Table 131. DSP_CFG0 Register Field Descriptions

Bit	Field	Type	Reset	Description
7-6	Reserved	R	0h	Reserved
5-4	DECI_FILT[1:0]	RW	0h	Decimation filter response. 0d = Linear phase 1d = Low latency 2d = Ultra-low latency
3-2	CH_SUM[1:0]	RW	0h	Channel summation mode for higher SNR 0d = Channel summation mode is disabled 1d = 2-channel summation mode is enabled to generate a (CH1 + CH2) / 2 and a (CH3 + CH4) / 2 output 2d = 4-channel summation mode is enabled to generate a (CH1 + CH2 + CH3 + CH4) / 4 output 3d = Reserved
1-0	HPF_SEL[1:0]	RW	1h	High-pass filter (HPF) selection. 0d = Programmable first-order IIR filter for a custom HPF with default coefficient values in P4_R72 to P4_R83 set as the all-pass filter 1d = HPF with a cutoff of 0.00025 x fS (12 Hz at fS = 48 kHz) is selected 2d = HPF with a cutoff of 0.002 x fS (96 Hz at fS = 48 kHz) is selected 3d = HPF with a cutoff of 0.008 x fS (384 Hz at fS = 48 kHz) is selected

8.6.1.3.81 DSP_CFG1 Register (page = 0x00, address = 0x6C) [reset = 48h]

This register is the digital signal processor (DSP) configuration register 1.

Figure 176. DSP_CFG1 Register

7	6	5	4	3	2	1	0
DVOL_GANG	BIQUAD_CFG[1:0]		DISABLE_SOFT_STEP	AGC_SEL	Reserved	Reserved	
RW-0h	RW-2h		RW-0h	RW-1h	RW-0h	R-0h	

Table 132. DSP_CFG1 Register Field Descriptions

Bit	Field	Type	Reset	Description
7	DVOL_GANG	RW	0h	DVOL control ganged across channels. 0d = Each channel has its own DVOL CTRL settings as programmed in the CHx_DVOL bits 1d = All active channels must use the channel 1 DVOL setting (CH1_DVOL) irrespective of whether channel 1 is turned on or not
6-5	BIQUAD_CFG[1:0]	RW	2h	Number of biquads per channel configuration. 0d = No biquads per channel; biquads are all disabled 1d = 1 biquad per channel 2d = 2 biquads per channel 3d = 3 biquads per channel
4	DISABLE_SOFT_STEP	RW	0h	Soft-stepping disable during DVOL change, mute, and unmute. 0d = Soft-stepping enabled 1d = Soft-stepping disabled
3	AGC_SEL	RW	1h	AGC master enable setting. 0d = Reserved; Write always 1 to this register bit 1d = AGC selected as configured for each channel using CHx_CFG0 register
2	Reserved	RW	0h	Reserved
1-0	Reserved	R	0h	Reserved

8.6.1.3.82 AGC_CFG0 Register (page = 0x00, address = 0x70) [reset = E7h]

This register is the automatic gain controller (AGC) configuration register 0.

Figure 177. AGC_CFG0 Register

7	6	5	4	3	2	1	0
AGC_LVL[3:0]				AGC_MAXGAIN[3:0]			
RW-Eh				RW-7h			

Table 133. AGC_CFG0 Register Field Descriptions

Bit	Field	Type	Reset	Description
7-4	AGC_LVL[3:0]	RW	Eh	AGC output signal target level. 0d = Output signal target level is -6 dB 1d = Output signal target level is -8 dB 2d = Output signal target level is -10 dB 3d to 13d = Output signal target level is as per configuration 14d = Output signal target level is -34 dB 15d = Output signal target level is -36 dB
3-0	AGC_MAXGAIN[3:0]	RW	7h	AGC maximum gain allowed. 0d = Maximum gain allowed is 3 dB 1d = Maximum gain allowed is 6 dB 2d = Maximum gain allowed is 9 dB 3d to 11d = Maximum gain allowed is as per configuration 12d = Maximum gain allowed is 39 dB 13d = Maximum gain allowed is 42 dB 14d to 15d = Reserved

8.6.1.3.83 IN_CH_EN Register (page = 0x00, address = 0x73) [reset = FCh]

This register is the input channel enable configuration register.

Figure 178. IN_CH_EN Register

7	6	5	4	3	2	1	0
IN_CH1_EN	IN_CH2_EN	IN_CH3_EN	IN_CH4_EN	IN_CH5_EN	IN_CH6_EN	Reserved	Reserved
RW-1h	RW-1h	RW-1h	RW-1h	RW-1h	RW-1h	RW-0h	RW-0h

Table 134. IN_CH_EN Register Field Descriptions

Bit	Field	Type	Reset	Description
7	IN_CH1_EN	RW	1h	Input channel 1 enable setting. 0d = Channel 1 is disabled 1d = Channel 1 is enabled
6	IN_CH2_EN	RW	1h	Input channel 2 enable setting. 0d = Channel 2 is disabled 1d = Channel 2 is enabled
5	IN_CH3_EN	RW	1h	Input channel 3 enable setting. 0d = Channel 3 is disabled 1d = Channel 3 is enabled
4	IN_CH4_EN	RW	1h	Input channel 4 enable setting. 0d = Channel 4 is disabled 1d = Channel 4 is enabled
3	IN_CH5_EN	RW	1h	Input channel 5 enable setting. Applicable only for PCM6x60-Q1. 0d = Channel 5 is disabled 1d = Channel 5 is enabled
2	IN_CH6_EN	RW	1h	Input channel 6 enable setting. Applicable only for PCM6x60-Q1. 0d = Channel 6 is disabled 1d = Channel 6 is enabled
1	Reserved	RW	0h	Reserved
0	Reserved	RW	0h	Reserved

8.6.1.3.84 ASI_OUT_CH_EN Register (page = 0x00, address = 0x74) [reset = 0h]

This register is the ASI output channel enable configuration register.

Figure 179. ASI_OUT_CH_EN Register

7	6	5	4	3	2	1	0
ASI_OUT_CH1_EN	ASI_OUT_CH2_EN	ASI_OUT_CH3_EN	ASI_OUT_CH4_EN	ASI_OUT_CH5_EN	ASI_OUT_CH6_EN	Reserved	Reserved
RW-0h	RW-0h	RW-0h	RW-0h	RW-0h	RW-0h	RW-0h	RW-0h

Table 135. ASI_OUT_CH_EN Register Field Descriptions

Bit	Field	Type	Reset	Description
7	ASI_OUT_CH1_EN	RW	0h	ASI output channel 1 enable setting. 0d = Channel 1 output slot is in a tri-state condition 1d = Channel 1 output slot is enabled
6	ASI_OUT_CH2_EN	RW	0h	ASI output channel 2 enable setting. 0d = Channel 2 output slot is in a tri-state condition 1d = Channel 2 output slot is enabled
5	ASI_OUT_CH3_EN	RW	0h	ASI output channel 3 enable setting. 0d = Channel 3 output slot is in a tri-state condition 1d = Channel 3 output slot is enabled
4	ASI_OUT_CH4_EN	RW	0h	ASI output channel 4 enable setting. 0d = Channel 4 output slot is in a tri-state condition 1d = Channel 4 output slot is enabled
3	ASI_OUT_CH5_EN	RW	0h	ASI output channel 5 enable setting. Applicable only for PCM6x60-Q1. 0d = Channel 5 output slot is in a tri-state condition 1d = Channel 5 output slot is enabled
2	ASI_OUT_CH6_EN	RW	0h	ASI output channel 6 enable setting. Applicable only for PCM6x60-Q1. 0d = Channel 6 output slot is in a tri-state condition 1d = Channel 6 output slot is enabled
1	Reserved	RW	0h	Reserved
0	Reserved	RW	0h	Reserved

8.6.1.3.85 PWR_CFG Register (page = 0x00, address = 0x75) [reset = 0h]

This register is the power-up configuration register.

Figure 180. PWR_CFG Register

7	6	5	4	3	2	1	0
MICBIAS_PDZ	ADC_PDZ	PLL_PDZ	DYN_CH_PUPD_EN	DYN_MAXCH_SEL[1:0]		Reserved	Reserved
RW-0h	RW-0h	RW-0h	RW-0h	RW-0h		RW-0h	R-0h

Table 136. PWR_CFG Register Field Descriptions

Bit	Field	Type	Reset	Description
7	MICBIAS_PDZ	RW	0h	Power control for MICBIAS. 0d = Power down MICBIAS 1d = Power up MICBIAS
6	ADC_PDZ	RW	0h	Power control for ADC and PDM channels. 0d = Power down all ADC and PDM channels 1d = Power up all enabled ADC and PDM channels
5	PLL_PDZ	RW	0h	Power control for the PLL. 0d = Power down the PLL 1d = Power up the PLL
4	DYN_CH_PUPD_EN	RW	0h	Dynamic channel power-up, power-down enable. 0d = Channel power-up, power-down is not supported if any channel recording is on 1d = Channel can be powered up or down individually, even if channel recording is on. Do not powered-down channel 1 if this bit is set to '1'

Table 136. PWR_CFG Register Field Descriptions (continued)

Bit	Field	Type	Reset	Description
3-2	DYN_MAXCH_SEL[1:0]	RW	0h	Dynamic mode maximum channel select configuration. 0d = Channel 1 and channel 2 are used with dynamic channel power-up, power-down feature enabled 1d = Channel 1 to channel 4 are used with dynamic channel power-up, power-down feature enabled 2d = Channel 1 to channel 6 are used with dynamic channel power-up, power-down feature enabled
1	Reserved	RW	0h	Reserved
0	Reserved	R	0h	Reserved

8.6.1.3.86 DEV_STS0 Register (page = 0x00, address = 0x76) [reset = 0h]

This register is the device status value register 0.

Figure 181. DEV_STS0 Register

7	6	5	4	3	2	1	0
CH1_STATUS	CH2_STATUS	CH3_STATUS	CH4_STATUS	CH5_STATUS	CH6_STATUS	Reserved	Reserved
R-0h	R-0h	R-0h	R-0h	R-0h	R-0h	R-0h	R-0h

Table 137. DEV_STS0 Register Field Descriptions

Bit	Field	Type	Reset	Description
7	CH1_STATUS	R	0h	ADC channel 1 power status. 0d = ADC channel is powered down 1d = ADC channel is powered up
6	CH2_STATUS	R	0h	ADC channel 2 power status. 0d = ADC channel is powered down 1d = ADC channel is powered up
5	CH3_STATUS	R	0h	ADC channel 3 power status. 0d = ADC channel is powered down 1d = ADC channel is powered up
4	CH4_STATUS	R	0h	ADC channel 4 power status. 0d = ADC channel is powered down 1d = ADC channel is powered up
3	CH5_STATUS	R	0h	ADC channel 5 power status. Applicable only for PCM6x60-Q1. 0d = ADC channel is powered down 1d = ADC channel is powered up
2	CH6_STATUS	R	0h	ADC channel 6 power status. Applicable only for PCM6x60-Q1. 0d = ADC channel is powered down 1d = ADC channel is powered up
1	Reserved	R	0h	Reserved
0	Reserved	R	0h	Reserved

8.6.1.3.87 DEV_STS1 Register (page = 0x00, address = 0x77) [reset = 80h]

This register is the device status value register 1.

Figure 182. DEV_STS1 Register

7	6	5	4	3	2	1	0
MODE_STS[2:0]			BOOST_STS	MBIAS_STS	CHx_PD_FLT_STS	ALL_CHx_PD_FLT_STS	MAN_RCV_PD_FLT_CHK
R-4h			R-0h	R-0h	R-0h	R-0h	RW-0h

Table 138. DEV_STS1 Register Field Descriptions

Bit	Field	Type	Reset	Description
7-5	MODE_STS[2:0]	R	4h	Device mode status. 4d = Device is in sleep mode or software shutdown mode 6d = Device is in active mode with all ADC or PDM channels turned off 7d = Device is in active mode with at least one ADC or PDM channel turned on
4	BOOST_STS	R	0h	Boost power up status. 0d = Boost is powered down 1d = Boost is powered up
3	MBIAS_STS	R	0h	MICBIAS power up status. 0d = MICBIAS is powered down 1d = MICBIAS is powered up
2	CHx_PD_FLT_STS	R	0h	ADC channel power down status caused by INxx inputs faults. 0d = No ADC channel is powered down caused by INxx inputs faults 1d = Atleast a ADC channel is powered down caused by INxx inputs faults
1	ALL_CHx_PD_FLT_STS	R	0h	ADC channel power down status caused by MICBIAS faults. 0d = No ADC channel is powered down caused by MICBIAS faults 1d = All ADC channels are powered down caused by MICBIAS faults
0	MAN_RCV_PD_FLT_CHK	RW	0h	Manual recovery (self-clearing bit). 0b = No effect 1b = Recheck all fault status and re-powerup ADC channels and/or MICBIAS if they do not have any faults. Before setting this bit, reset P0_R58 register and re-configure P0_R58 to desired setting only after manual recover gets over.

8.6.1.4 Register Description: Page = 0x01

8.6.1.4.1 PAGE_CFG Register (page = 0x01, address = 0x00) [reset = 0h]

The device memory map is divided into pages. This register sets the page.

Figure 183. PAGE_CFG Register

7	6	5	4	3	2	1	0
PAGE[7:0]							
RW-0h							

Table 139. PAGE_CFG Register Field Descriptions

Bit	Field	Type	Reset	Description
7-0	PAGE[7:0]	RW	0h	These bits set the device page. 0d = Page 0 1d = Page 1 ... 255d = Page 255

8.6.1.4.2 MBIAS_LOAD Register (page = 0x01, address = 0x16) [reset = 0h]

This register is the MICBIAS internal load sink configuration register.

Figure 184. MBIAS_LOAD Register

7	6	5	4	3	2	1	0
MICBIAS_INT_LOAD_SINK_EN	MICBIAS_INT_LOAD_SINK_VAL[2:0]			Reserved			
RW-0h	RW-0h			R-0h			

Table 140. MBIAS_LOAD Register Field Descriptions

Bit	Field	Type	Reset	Description
7	MICBIAS_INT_LOAD_SINK_EN	RW	0h	MICBIAS internal load sink setting. 0d = MICBIAS internal load sink is disabled. 1d = MICBIAS internal load sink is enabled based on D6-4 register bits; This setting must be used for single-ended AC-coupled input to support high signal swing
6-4	MICBIAS_INT_LOAD_SINK_VAL[2:0]	RW	0h	MICBIAS internal load sink current value 0d = MICBIAS internal load sink current is set to 0 mA (typ) 1d = MICBIAS internal load sink current is set to 4.3 mA (typ) 2d = MICBIAS internal load sink current is set to 8.6 mA (typ) 3d = MICBIAS internal load sink current is set to 12.9 mA (typ) 4d = MICBIAS internal load sink current is set to 17.2 mA (typ) 5d = MICBIAS internal load sink current is set to 21.5 mA (typ) 6d = MICBIAS internal load sink current is set to 25.8 mA (typ) 7d = MICBIAS internal load sink current is set to 30.1 mA (typ)
3-0	Reserved	R	0h	Reserved

8.6.1.4.3 INT_LIVE0 Register (page = 0x01, address = 0x2C) [reset = 0h]

This register is the live Interrupt readback register 0.

Figure 185. INT_LIVE0 Register

7	6	5	4	3	2	1	0
INT_LIVE0[7]	INT_LIVE0[6]	INT_LIVE0[5]	INT_LIVE0[4]	Reserved	Reserved	Reserved	Reserved
R-0h	R-0h	R-0h	R-0h	R-0h	R-0h	R-0h	R-0h

Table 141. INT_LIVE0 Register Field Descriptions

Bit	Field	Type	Reset	Description
7	INT_LIVE0[7]	R	0h	Fault status for an ASI bus clock error. 0b = No fault detected 1b = Fault detected
6	INT_LIVE0[6]	R	0h	Status of PLL lock. 0b = No PLL lock detected 1b = PLL lock detected
5	INT_LIVE0[5]	R	0h	Fault status for boost or MICBIAS over temperature. 0b = No fault detected 1b = Fault detected
4	INT_LIVE0[4]	R	0h	Fault status for boost or MICBIAS over current. 0b = No fault detected 1b = Fault detected
3	Reserved	R	0h	Reserved
2	Reserved	R	0h	Reserved
1	Reserved	R	0h	Reserved
0	Reserved	R	0h	Reserved

8.6.1.4.4 CHx_LIVE Register (page = 0x01, address = 0x2D) [reset = 0h]

This register is the live Interrupt status register for channel level diagnostic summary.

Figure 186. CHx_LIVE Register

7	6	5	4	3	2	1	0
STS_CHx_LIVE[7]	STS_CHx_LIVE[6]	STS_CHx_LIVE[5]	STS_CHx_LIVE[4]	STS_CHx_LIVE[3]	STS_CHx_LIVE[2]	STS_CHx_LIVE[1]	Reserved
R-0h	R-0h	R-0h	R-0h	R-0h	R-0h	R-0h	R-0h

Table 142. CHx_LIVE Register Field Descriptions

Bit	Field	Type	Reset	Description
7	STS_CHx_LIVE[7]	R	0h	Status of CH1_LIVE. 0b = No faults occurred in channel 1 1b = Atleast a fault has occurred in channel 1
6	STS_CHx_LIVE[6]	R	0h	Status of CH2_LIVE. 0b = No faults occurred in channel 2 1b = Atleast a fault has occurred in channel 2
5	STS_CHx_LIVE[5]	R	0h	Status of CH3_LIVE. 0b = No faults occurred in channel 3 1b = Atleast a fault has occurred in channel 3
4	STS_CHx_LIVE[4]	R	0h	Status of CH4_LIVE. 0b = No faults occurred in channel 4 1b = Atleast a fault has occurred in channel 4
3	STS_CHx_LIVE[3]	R	0h	Status of CH5_LIVE. Applicable only for PCM6x60-Q1. 0b = No faults occurred in channel 5 1b = Atleast a fault has occurred in channel 5
2	STS_CHx_LIVE[2]	R	0h	Status of CH6_LIVE. Applicable only for PCM6x60-Q1. 0b = No faults occurred in channel 6 1b = Atleast a fault has occurred in channel 6
1	STS_CHx_LIVE[1]	R	0h	Status of short to VBAT_IN fault detected when VBAT_IN is less than MICBIAS. 0b = Short to VBAT_IN fault when VBAT_IN is less than MICBIAS has not occurred in any channel 1b = Short to VBAT_IN fault when VBAT_IN is less than MICBIAS has occurred in atleast one channel
0	Reserved	R	0h	Reserved

8.6.1.4.5 CH1_LIVE Register (page = 0x01, address = 0x2E) [reset = 0h]

This register is the live Interrupt status register for channel 1 fault diagnostic

Figure 187. CH1_LIVE Register

7	6	5	4	3	2	1	0
CH1_LIVE[7]	CH1_LIVE[6]	CH1_LIVE[5]	CH1_LIVE[4]	CH1_LIVE[3]	CH1_LIVE[2]	CH1_LIVE[1]	CH1_LIVE[0]
R-0h	R-0h	R-0h	R-0h	R-0h	R-0h	R-0h	R-0h

Table 143. CH1_LIVE Register Field Descriptions

Bit	Field	Type	Reset	Description
7	CH1_LIVE[7]	R	0h	Channel 1 open input fault status. 0b = No open input detected 1b = Open input detected
6	CH1_LIVE[6]	R	0h	Channel 1 input pair short fault status. 0b = No input pair short detected 1b = Input short to each other detected
5	CH1_LIVE[5]	R	0h	Channel 1 IN1P short to ground fault status. 0b = IN1P no short to ground detected 1b = IN1P short to ground detected
4	CH1_LIVE[4]	R	0h	Channel 1 IN1M short to ground fault status. 0b = IN1M no short to ground detected 1b = IN1M short to ground detected
3	CH1_LIVE[3]	R	0h	Channel 1 IN1P short to MICBIAS fault status. 0b = IN1P no short to MICBIAS detected 1b = IN1P short to MICBIAS detected
2	CH1_LIVE[2]	R	0h	Channel 1 IN1M short to MICBIAS fault status. 0b = IN1M no short to MICBIAS detected 1b = IN1M short to MICBIAS detected
1	CH1_LIVE[1]	R	0h	Channel 1 IN1P short to VBAT_IN fault status. 0b = IN1P no short to VBAT_IN detected 1b = IN1P short to VBAT_IN detected

Table 143. CH1_LIVE Register Field Descriptions (continued)

Bit	Field	Type	Reset	Description
0	CH1_LIVE[0]	R	0h	Channel 1 IN1M short to VBAT_IN fault status. 0b = IN1M no short to VBAT_IN detected 1b = IN1M short to VBAT_IN detected

8.6.1.4.6 CH2_LIVE Register (page = 0x01, address = 0x2F) [reset = 0h]

This register is the live Interrupt status register for channel 2 fault diagnostic.

Figure 188. CH2_LIVE Register

7	6	5	4	3	2	1	0
CH2_LIVE[7]	CH2_LIVE[6]	CH2_LIVE[5]	CH2_LIVE[4]	CH2_LIVE[3]	CH2_LIVE[2]	CH2_LIVE[1]	CH2_LIVE[0]
R-0h	R-0h	R-0h	R-0h	R-0h	R-0h	R-0h	R-0h

Table 144. CH2_LIVE Register Field Descriptions

Bit	Field	Type	Reset	Description
7	CH2_LIVE[7]	R	0h	Channel 2 open input fault status. 0b = No open input detected 1b = Open input detected
6	CH2_LIVE[6]	R	0h	Channel 2 input pair short fault status. 0b = No input pair short detected 1b = Input short to each other detected
5	CH2_LIVE[5]	R	0h	Channel 2 IN2P short to ground fault status. 0b = IN2P no short to ground detected 1b = IN2P short to ground detected
4	CH2_LIVE[4]	R	0h	Channel 2 IN2M short to ground fault status. 0b = IN2M no short to ground detected 1b = IN2M short to ground detected
3	CH2_LIVE[3]	R	0h	Channel 2 IN2P short to MICBIAS fault status. 0b = IN2P no short to MICBIAS detected 1b = IN2P short to MICBIAS detected
2	CH2_LIVE[2]	R	0h	Channel 2 IN2M short to MICBIAS fault status. 0b = IN2M no short to MICBIAS detected 1b = IN2M short to MICBIAS detected
1	CH2_LIVE[1]	R	0h	Channel 2 IN2P short to VBAT_IN fault status. 0b = IN2P no short to VBAT_IN detected 1b = IN2P short to VBAT_IN detected
0	CH2_LIVE[0]	R	0h	Channel 2 IN2M short to VBAT_IN fault status. 0b = IN2M no short to VBAT_IN detected 1b = IN2M short to VBAT_IN detected

8.6.1.4.7 CH3_LIVE Register (page = 0x01, address = 0x30) [reset = 0h]

This register is the live Interrupt status register for channel3 fault diagnostic

Figure 189. CH3_LIVE Register

7	6	5	4	3	2	1	0
CH3_LIVE[7]	CH3_LIVE[6]	CH3_LIVE[5]	CH3_LIVE[4]	CH3_LIVE[3]	CH3_LIVE[2]	CH3_LIVE[1]	CH3_LIVE[0]
R-0h	R-0h	R-0h	R-0h	R-0h	R-0h	R-0h	R-0h

Table 145. CH3_LIVE Register Field Descriptions

Bit	Field	Type	Reset	Description
7	CH3_LIVE[7]	R	0h	Channel 3 open input fault status. 0b = No open input detected 1b = Open input detected

Table 145. CH3_LIVE Register Field Descriptions (continued)

Bit	Field	Type	Reset	Description
6	CH3_LIVE[6]	R	0h	Channel 3 input pair short fault status. 0b = No input pair short detected 1b = Input short to each other detected
5	CH3_LIVE[5]	R	0h	Channel 3 IN3P short to ground fault status. 0b = IN3P no short to ground detected 1b = IN3P short to ground detected
4	CH3_LIVE[4]	R	0h	Channel 3 IN3M short to ground fault status. 0b = IN3M no short to ground detected 1b = IN3M short to ground detected
3	CH3_LIVE[3]	R	0h	Channel 3 IN3P short to MICBIAS fault status. 0b = IN3P no short to MICBIAS detected 1b = IN3P short to MICBIAS detected
2	CH3_LIVE[2]	R	0h	Channel 3 IN3M short to MICBIAS fault status. 0b = IN3M no short to MICBIAS detected 1b = IN3M short to MICBIAS detected
1	CH3_LIVE[1]	R	0h	Channel 3 IN3P short to VBAT_IN fault status. 0b = IN3P no short to VBAT_IN detected 1b = IN3P short to VBAT_IN detected
0	CH3_LIVE[0]	R	0h	Channel 3 IN3M short to VBAT_IN fault status. 0b = IN3M no short to VBAT_IN detected 1b = IN3M short to VBAT_IN detected

8.6.1.4.8 CH4_LIVE Register (page = 0x01, address = 0x31) [reset = 0h]

This register is the live Interrupt status register for channel 4 fault diagnostic.

Figure 190. CH4_LIVE Register

7	6	5	4	3	2	1	0
CH4_LIVE[7]	CH4_LIVE[6]	CH4_LIVE[5]	CH4_LIVE[4]	CH4_LIVE[3]	CH4_LIVE[2]	CH4_LIVE[1]	CH4_LIVE[0]
R-0h	R-0h	R-0h	R-0h	R-0h	R-0h	R-0h	R-0h

Table 146. CH4_LIVE Register Field Descriptions

Bit	Field	Type	Reset	Description
7	CH4_LIVE[7]	R	0h	Channel 4 open input fault status. 0b = No open input detected 1b = Open input detected
6	CH4_LIVE[6]	R	0h	Channel 4 input pair short fault status. 0b = No input pair short detected 1b = Input short to each other detected
5	CH4_LIVE[5]	R	0h	Channel 4 IN4P short to ground fault status. 0b = IN4P no short to ground detected 1b = IN4P short to ground detected
4	CH4_LIVE[4]	R	0h	Channel 4 IN4M short to ground fault status. 0b = IN4M no short to ground detected 1b = IN4M short to ground detected
3	CH4_LIVE[3]	R	0h	Channel 4 IN4P short to MICBIAS fault status. 0b = IN4P no short to MICBIAS detected 1b = IN4P short to MICBIAS detected
2	CH4_LIVE[2]	R	0h	Channel 4 IN4M short to MICBIAS fault status. 0b = IN4M no short to MICBIAS detected 1b = IN4M short to MICBIAS detected
1	CH4_LIVE[1]	R	0h	Channel 4 IN4P short to VBAT_IN fault status. 0b = IN4P no short to VBAT_IN detected 1b = IN4P short to VBAT_IN detected
0	CH4_LIVE[0]	R	0h	Channel 4 IN4M short to VBAT_IN fault status. 0b = IN4M no short to VBAT_IN detected 1b = IN4M short to VBAT_IN detected

8.6.1.4.9 CH5_LIVE Register (page = 0x01, address = 0x32) [reset = 0h]

This register is the live Interrupt status register for channel 5 fault diagnostic. Applicable only for PCM6x60-Q1.

Figure 191. CH5_LIVE Register

7	6	5	4	3	2	1	0
CH5_LIVE[7]	CH5_LIVE[6]	CH5_LIVE[5]	CH5_LIVE[4]	CH5_LIVE[3]	CH5_LIVE[2]	CH5_LIVE[1]	CH5_LIVE[0]
R-0h	R-0h	R-0h	R-0h	R-0h	R-0h	R-0h	R-0h

Table 147. CH5_LIVE Register Field Descriptions

Bit	Field	Type	Reset	Description
7	CH5_LIVE[7]	R	0h	Channel 5 open input fault status. 0b = No open input detected 1b = Open input detected
6	CH5_LIVE[6]	R	0h	Channel 5 input pair short fault status. 0b = No input pair short detected 1b = Input short to each other detected
5	CH5_LIVE[5]	R	0h	Channel 5 IN5P short to ground fault status. 0b = IN5P no short to ground detected 1b = IN5P short to ground detected
4	CH5_LIVE[4]	R	0h	Channel 5 IN5M short to ground fault status. 0b = IN5M no short to ground detected 1b = IN5M short to ground detected
3	CH5_LIVE[3]	R	0h	Channel 5 IN5P short to MICBIAS fault status. 0b = IN5P no short to MICBIAS detected 1b = IN5P short to MICBIAS detected
2	CH5_LIVE[2]	R	0h	Channel 5 IN5M short to MICBIAS fault status. 0b = IN5M no short to MICBIAS detected 1b = IN5M short to MICBIAS detected
1	CH5_LIVE[1]	R	0h	Channel 5 IN5P short to VBAT_IN fault status. 0b = IN5P no short to VBAT_IN detected 1b = IN5P short to VBAT_IN detected
0	CH5_LIVE[0]	R	0h	Channel 5 IN5M short to VBAT_IN fault status. 0b = IN5M no short to VBAT_IN detected 1b = IN5M short to VBAT_IN detected

8.6.1.4.10 CH6_LIVE Register (page = 0x01, address = 0x33) [reset = 0h]

This register is the live Interrupt status register for channel 6 fault diagnostic. Applicable only for PCM6x60-Q1.

Figure 192. CH6_LIVE Register

7	6	5	4	3	2	1	0
CH6_LIVE[7]	CH6_LIVE[6]	CH6_LIVE[5]	CH6_LIVE[4]	CH6_LIVE[3]	CH6_LIVE[2]	CH6_LIVE[1]	CH6_LIVE[0]
R-0h	R-0h	R-0h	R-0h	R-0h	R-0h	R-0h	R-0h

Table 148. CH6_LIVE Register Field Descriptions

Bit	Field	Type	Reset	Description
7	CH6_LIVE[7]	R	0h	Channel 6 open input fault status. 0b = No open input detected 1b = Open input detected
6	CH6_LIVE[6]	R	0h	Channel 6 input pair short fault status. 0b = No input pair short detected 1b = Input short to each other detected
5	CH6_LIVE[5]	R	0h	Channel 6 IN6P short to ground fault status. 0b = IN6P no short to ground detected 1b = IN6P short to ground detected
4	CH6_LIVE[4]	R	0h	Channel 6 IN6M short to ground fault status. 0b = IN6M no short to ground detected 1b = IN6M short to ground detected

Table 148. CH6_LIVE Register Field Descriptions (continued)

Bit	Field	Type	Reset	Description
3	CH6_LIVE[3]	R	0h	Channel 6 IN6P short to MICBIAS fault status. 0b = IN6P no short to MICBIAS detected 1b = IN6P short to MICBIAS detected
2	CH6_LIVE[2]	R	0h	Channel 6 IN6M short to MICBIAS fault status. 0b = IN6M no short to MICBIAS detected 1b = IN6M short to MICBIAS detected
1	CH6_LIVE[1]	R	0h	Channel 6 IN6P short to VBAT_IN fault status. 0b = IN6P no short to VBAT_IN detected 1b = IN6P short to VBAT_IN detected
0	CH6_LIVE[0]	R	0h	Channel 6 IN6M short to VBAT_IN fault status. 0b = IN6M no short to VBAT_IN detected 1b = IN6M short to VBAT_IN detected

8.6.1.4.11 INT_LIVE1 Register (page = 0x01, address = 0x35) [reset = 0h]

This register is the live Interrupt readback register 1.

Figure 193. INT_LIVE1 Register

7	6	5	4	3	2	1	0
INT_LIVE1[7]	INT_LIVE1[6]	INT_LIVE1[5]	INT_LIVE1[4]	INT_LIVE1[3]	INT_LIVE1[2]	Reserved	
R-0h	R-0h	R-0h	R-0h	R-0h	R-0h	R-0h	

Table 149. INT_LIVE1 Register Field Descriptions

Bit	Field	Type	Reset	Description
7	INT_LIVE1[7]	R	0h	Channel 1 IN1P over voltage fault status. 0b = No IN1P over voltage fault detected 1b = IN1P over voltage fault has detected
6	INT_LIVE1[6]	R	0h	Channel 2 IN2P over voltage fault status. 0b = No IN2P over voltage fault detected 1b = IN2P over voltage fault has detected
5	INT_LIVE1[5]	R	0h	Channel 3 IN3P over voltage fault status. 0b = No IN3P over voltage fault detected 1b = IN3P over voltage fault has detected
4	INT_LIVE1[4]	R	0h	Channel 4 IN4P over voltage fault status. 0b = No IN4P over voltage fault detected 1b = IN4P over voltage fault has detected
3	INT_LIVE1[3]	R	0h	Channel 5 IN5P over voltage fault status. Applicable only for PCM6x60-Q1. 0b = No IN5P over voltage fault detected 1b = IN5P over voltage fault has detected
2	INT_LIVE1[2]	R	0h	Channel 6 IN6P over voltage fault status. Applicable only for PCM6x60-Q1. 0b = No IN6P over voltage fault detected 1b = IN6P over voltage fault has detected
1-0	Reserved	R	0h	Reserved

8.6.1.4.12 INT_LIVE3 Register (page = 0x01, address = 0x37) [reset = 0h]

This register is the live Interrupt readback register 3.

Figure 194. INT_LIVE3 Register

7	6	5	4	3	2	1	0
INT_LIVE3[7]	INT_LIVE3[6]	INT_LIVE3[5]	Reserved				
R-0h	R-0h	R-0h	R-0h				

Table 150. INT_LIVE3 Register Field Descriptions

Bit	Field	Type	Reset	Description
7	INT_LIVE3[7]	R	0h	Fault status for MICBIAS high current. 0b = No fault detected 1b = Fault detected
6	INT_LIVE3[6]	R	0h	Fault status for MICBIAS low current 0b = No fault detected 1b = Fault detected
5	INT_LIVE3[5]	R	0h	Fault status for MICBIAS over voltage. 0b = No fault detected 1b = Fault detected
4-0	Reserved	R	0h	Reserved

8.6.1.4.13 DIAGDATA_CFG Register (page = 0x01, address = 0x59) [reset = 0h]

This register is the diagnostic data configuration register.

Figure 195. DIAGDATA_CFG Register

7	6	5	4	3	2	1	0
Reserved				Reserved			HOLD_SAR_DATA
RW-0h				R-0h			RW-0h

Table 151. DIAGDATA_CFG Register Field Descriptions

Bit	Field	Type	Reset	Description
7-4	Reserved	RW	0h	Reserved
3-1	Reserved	R	0h	Reserved
0	HOLD_SAR_DATA	RW	0h	Hold SAR data update during register readback. 0b= Data update is not held, data register is continuously updated; this setting must be used when moving average is enabled for fault detection 1b= Data update is held, data register readback can be done

8.6.1.4.14 DIAG_MON_MSB_VBAT Register (page = 0x01, address = 0x5A) [reset = 0h]

This register is the MSB data byte of VBAT_IN monitoring.

Figure 196. DIAG_MON_MSB_VBAT Register

7	6	5	4	3	2	1	0
DIAG_MON_MSB_VBAT[7:0]							
R-0h							

Table 152. DIAG_MON_MSB_VBAT Register Field Descriptions

Bit	Field	Type	Reset	Description
7-0	DIAG_MON_MSB_VBAT[7:0]	R	0h	Diagnostic SAR monitor data MSB byte

8.6.1.4.15 DIAG_MON_LSB_VBAT Register (page = 0x01, address = 0x5B) [reset = 0h]

This register is the LSB data nibble of VBAT_IN monitoring.

Figure 197. DIAG_MON_LSB_VBAT Register

7	6	5	4	3	2	1	0
DIAG_MON_LSB_VBAT[3:0]				CHANNEL_ID[3:0]			
R-0h				R-0h			

Table 153. DIAG_MON_LSB_VBAT Register Field Descriptions

Bit	Field	Type	Reset	Description
7-4	DIAG_MON_LSB_VBAT[3:0]	R	0h	Diagnostic SAR monitor data LSB nibble
3-0	CHANNEL_ID[3:0]	R	0h	Channel ID value

8.6.1.4.16 DIAG_MON_MSB_MBIAS Register (page = 0x01, address = 0x5C) [reset = 0h]

This register is the MSB data byte of MICBIAS monitoring.

Figure 198. DIAG_MON_MSB_MBIAS Register

7	6	5	4	3	2	1	0
DIAG_MON_MSB_MBIAS[7:0]							
R-0h							

Table 154. DIAG_MON_MSB_MBIAS Register Field Descriptions

Bit	Field	Type	Reset	Description
7-0	DIAG_MON_MSB_MBIAS[7:0]	R	0h	Diagnostic SAR monitor data MSB byte

8.6.1.4.17 DIAG_MON_LSB_MBIAS Register (page = 0x01, address = 0x5D) [reset = 1h]

This register is the LSB data nibble of MICBIAS monitoring.

Figure 199. DIAG_MON_LSB_MBIAS Register

7	6	5	4	3	2	1	0
DIAG_MON_LSB_MBIAS[3:0]				CHANNEL_ID[3:0]			
R-0h				R-1h			

Table 155. DIAG_MON_LSB_MBIAS Register Field Descriptions

Bit	Field	Type	Reset	Description
7-4	DIAG_MON_LSB_MBIAS[3:0]	R	0h	Diagnostic SAR monitor data LSB nibble
3-0	CHANNEL_ID[3:0]	R	1h	Channel ID value

8.6.1.4.18 DIAG_MON_MSB_IN1P Register (page = 0x01, address = 0x5E) [reset = 0h]

This register is the MSB data byte of IN1P monitoring.

Figure 200. DIAG_MON_MSB_IN1P Register

7	6	5	4	3	2	1	0
DIAG_MON_MSB_CH1P[7:0]							
R-0h							

Table 156. DIAG_MON_MSB_IN1P Register Field Descriptions

Bit	Field	Type	Reset	Description
7-0	DIAG_MON_MSB_CH1P[7:0]	R	0h	Diagnostic SAR monitor data MSB byte

8.6.1.4.19 DIAG_MON_LSB_IN1P Register (page = 0x01, address = 0x5F) [reset = 2h]

This register is the LSB data nibble of IN1P monitoring.

Figure 201. DIAG_MON_LSB_IN1P Register

7	6	5	4	3	2	1	0
DIAG_MON_LSB_CH1P[3:0]				CHANNEL_ID[3:0]			
R-0h				R-2h			

Table 157. DIAG_MON_LSB_IN1P Register Field Descriptions

Bit	Field	Type	Reset	Description
7-4	DIAG_MON_LSB_CH1P[3:0]	R	0h	Diagnostic SAR monitor data LSB nibble
3-0	CHANNEL_ID[3:0]	R	2h	Channel ID value

8.6.1.4.20 DIAG_MON_MSB_IN1M Register (page = 0x01, address = 0x60) [reset = 0h]

This register is the MSB data byte of IN1M monitoring.

Figure 202. DIAG_MON_MSB_IN1M Register

7	6	5	4	3	2	1	0
DIAG_MON_MSB_CH1N[7:0]							
R-0h							

Table 158. DIAG_MON_MSB_IN1M Register Field Descriptions

Bit	Field	Type	Reset	Description
7-0	DIAG_MON_MSB_CH1N[7:0]	R	0h	Diagnostic SAR monitor data MSB byte

8.6.1.4.21 DIAG_MON_LSB_IN1M Register (page = 0x01, address = 0x61) [reset = 3h]

This register is the LSB data nibble of IN1M monitoring.

Figure 203. DIAG_MON_LSB_IN1M Register

7	6	5	4	3	2	1	0
DIAG_MON_LSB_CH1N[3:0]				CHANNEL_ID[3:0]			
R-0h				R-3h			

Table 159. DIAG_MON_LSB_IN1M Register Field Descriptions

Bit	Field	Type	Reset	Description
7-4	DIAG_MON_LSB_CH1N[3:0]	R	0h	Diagnostic SAR monitor data LSB nibble
3-0	CHANNEL_ID[3:0]	R	3h	Channel ID value

8.6.1.4.22 DIAG_MON_MSB_IN2P Register (page = 0x01, address = 0x62) [reset = 0h]

This register is the MSB data byte of IN2P monitoring.

Figure 204. DIAG_MON_MSB_IN2P Register

7	6	5	4	3	2	1	0
DIAG_MON_MSB_CH2P[7:0]							
R-0h							

Table 160. DIAG_MON_MSB_IN2P Register Field Descriptions

Bit	Field	Type	Reset	Description
7-0	DIAG_MON_MSB_CH2P[7:0]	R	0h	Diagnostic SAR monitor data MSB byte

8.6.1.4.23 DIAG_MON_LSB_IN2P Register (page = 0x01, address = 0x63) [reset = 4h]

This register is the LSB data nibble of IN2P monitoring.

Figure 205. DIAG_MON_LSB_IN2P Register

7	6	5	4	3	2	1	0
DIAG_MON_LSB_CH2P[3:0]				CHANNEL_ID[3:0]			
R-0h				R-4h			

Table 161. DIAG_MON_LSB_IN2P Register Field Descriptions

Bit	Field	Type	Reset	Description
7-4	DIAG_MON_LSB_CH2P[3:0]	R	0h	Diagnostic SAR monitor data LSB nibble
3-0	CHANNEL_ID[3:0]	R	4h	Channel ID value

8.6.1.4.24 DIAG_MON_MSB_IN2M Register (page = 0x01, address = 0x64) [reset = 0h]

This register is the MSB data byte of IN2M monitoring.

Figure 206. DIAG_MON_MSB_IN2M Register

7	6	5	4	3	2	1	0
DIAG_MON_MSB_CH2N[7:0]							
R-0h							

Table 162. DIAG_MON_MSB_IN2M Register Field Descriptions

Bit	Field	Type	Reset	Description
7-0	DIAG_MON_MSB_CH2N[7:0]	R	0h	Diagnostic SAR monitor data MSB byte

8.6.1.4.25 DIAG_MON_LSB_IN2M Register (page = 0x01, address = 0x65) [reset = 5h]

This register is the LSB data nibble of IN2M monitoring.

Figure 207. DIAG_MON_LSB_IN2M Register

7	6	5	4	3	2	1	0
DIAG_MON_LSB_CH2N[3:0]				CHANNEL_ID[3:0]			
R-0h				R-5h			

Table 163. DIAG_MON_LSB_IN2M Register Field Descriptions

Bit	Field	Type	Reset	Description
7-4	DIAG_MON_LSB_CH2N[3:0]	R	0h	Diagnostic SAR monitor data LSB nibble
3-0	CHANNEL_ID[3:0]	R	5h	Channel ID value

8.6.1.4.26 DIAG_MON_MSB_IN3P Register (page = 0x01, address = 0x66) [reset = 0h]

This register is the MSB data byte of IN3P monitoring.

Figure 208. DIAG_MON_MSB_IN3P Register

7	6	5	4	3	2	1	0
DIAG_MON_MSB_CH3P[7:0]							
R-0h							

Table 164. DIAG_MON_MSB_IN3P Register Field Descriptions

Bit	Field	Type	Reset	Description
7-0	DIAG_MON_MSB_CH3P[7:0]	R	0h	Diagnostic SAR monitor data MSB byte

8.6.1.4.27 DIAG_MON_LSB_IN3P Register (page = 0x01, address = 0x67) [reset = 6h]

This register is the LSB data nibble of IN3P monitoring.

Figure 209. DIAG_MON_LSB_IN3P Register

7	6	5	4	3	2	1	0
DIAG_MON_LSB_CH3P[3:0]				CHANNEL_ID[3:0]			
R-0h				R-6h			

Table 165. DIAG_MON_LSB_IN3P Register Field Descriptions

Bit	Field	Type	Reset	Description
7-4	DIAG_MON_LSB_CH3P[3:0]	R	0h	Diagnostic SAR monitor data LSB nibble
3-0	CHANNEL_ID[3:0]	R	6h	Channel ID value

8.6.1.4.28 DIAG_MON_MSB_IN3M Register (page = 0x01, address = 0x68) [reset = 0h]

This register is the MSB data byte of IN3M monitoring.

Figure 210. DIAG_MON_MSB_IN3M Register

7	6	5	4	3	2	1	0
DIAG_MON_MSB_CH3N[7:0]							
R-0h							

Table 166. DIAG_MON_MSB_IN3M Register Field Descriptions

Bit	Field	Type	Reset	Description
7-0	DIAG_MON_MSB_CH3N[7:0]	R	0h	Diagnostic SAR monitor data MSB byte

8.6.1.4.29 DIAG_MON_LSB_IN3M Register (page = 0x01, address = 0x69) [reset = 7h]

This register is the LSB data nibble of IN3M monitoring.

Figure 211. DIAG_MON_LSB_IN3M Register

7	6	5	4	3	2	1	0
DIAG_MON_LSB_CH3N[3:0]				CHANNEL_ID[3:0]			
R-0h				R-7h			

Table 167. DIAG_MON_LSB_IN3M Register Field Descriptions

Bit	Field	Type	Reset	Description
7-4	DIAG_MON_LSB_CH3N[3:0]	R	0h	Diagnostic SAR monitor data LSB nibble
3-0	CHANNEL_ID[3:0]	R	7h	Channel ID value

8.6.1.4.30 DIAG_MON_MSB_IN4P Register (page = 0x01, address = 0x6A) [reset = 0h]

This register is the MSB data byte of IN4P monitoring.

Figure 212. DIAG_MON_MSB_IN4P Register

7	6	5	4	3	2	1	0
DIAG_MON_MSB_CH4P[7:0]							
R-0h							

Table 168. DIAG_MON_MSB_IN4P Register Field Descriptions

Bit	Field	Type	Reset	Description
7-0	DIAG_MON_MSB_CH4P[7:0]	R	0h	Diagnostic SAR monitor data MSB byte

8.6.1.4.31 DIAG_MON_LSB_IN4P Register (page = 0x01, address = 0x6B) [reset = 8h]

This register is the LSB data nibble of IN4P monitoring.

Figure 213. DIAG_MON_LSB_IN4P Register

7	6	5	4	3	2	1	0
DIAG_MON_LSB_CH4P[3:0]				CHANNEL_ID[3:0]			
R-0h				R-8h			

Table 169. DIAG_MON_LSB_IN4P Register Field Descriptions

Bit	Field	Type	Reset	Description
7-4	DIAG_MON_LSB_CH4P[3:0]	R	0h	Diagnostic SAR monitor data LSB nibble
3-0	CHANNEL_ID[3:0]	R	8h	Channel ID value

8.6.1.4.32 DIAG_MON_MSB_IN4M Register (page = 0x01, address = 0x6C) [reset = 0h]

This register is the MSB data byte of IN4M monitoring.

Figure 214. DIAG_MON_MSB_IN4M Register

7	6	5	4	3	2	1	0
DIAG_MON_MSB_CH4N[7:0]							
R-0h							

Table 170. DIAG_MON_MSB_IN4M Register Field Descriptions

Bit	Field	Type	Reset	Description
7-0	DIAG_MON_MSB_CH4N[7:0]	R	0h	Diagnostic SAR monitor data MSB byte

8.6.1.4.33 DIAG_MON_LSB_IN4M Register (page = 0x01, address = 0x6D) [reset = 9h]

This register is the LSB data nibble of IN4M monitoring.

Figure 215. DIAG_MON_LSB_IN4M Register

7	6	5	4	3	2	1	0
DIAG_MON_LSB_CH4N[3:0]				CHANNEL_ID[3:0]			
R-0h				R-9h			

Table 171. DIAG_MON_LSB_IN4M Register Field Descriptions

Bit	Field	Type	Reset	Description
7-4	DIAG_MON_LSB_CH4N[3:0]	R	0h	Diagnostic SAR monitor data LSB nibble
3-0	CHANNEL_ID[3:0]	R	9h	Channel ID value

8.6.1.4.34 DIAG_MON_MSB_IN5P Register (page = 0x01, address = 0x6E) [reset = 0h]

This register is the MSB data byte of IN5P monitoring. Applicable only for PCM6x60-Q1.

Figure 216. DIAG_MON_MSB_IN5P Register

7	6	5	4	3	2	1	0
DIAG_MON_MSB_CH5P[7:0]							
R-0h							

Table 172. DIAG_MON_MSB_IN5P Register Field Descriptions

Bit	Field	Type	Reset	Description
7-0	DIAG_MON_MSB_CH5P[7:0]	R	0h	Diagnostic SAR monitor data MSB byte

8.6.1.4.35 DIAG_MON_LSB_IN5P Register (page = 0x01, address = 0x6F) [reset = Ah]

This register is the LSB data nibble of IN5P monitoring. Applicable only for PCM6x60-Q1.

Figure 217. DIAG_MON_LSB_IN5P Register

7	6	5	4	3	2	1	0
DIAG_MON_LSB_CH5P[3:0]				CHANNEL_ID[3:0]			
R-0h				R-Ah			

Table 173. DIAG_MON_LSB_IN5P Register Field Descriptions

Bit	Field	Type	Reset	Description
7-4	DIAG_MON_LSB_CH5P[3:0]	R	0h	Diagnostic SAR monitor data LSB nibble
3-0	CHANNEL_ID[3:0]	R	Ah	Channel ID value

8.6.1.4.36 DIAG_MON_MSB_IN5M Register (page = 0x01, address = 0x70) [reset = 0h]

This register is the MSB data byte of IN5M monitoring. Applicable only for PCM6x60-Q1.

Figure 218. DIAG_MON_MSB_IN5M Register

7	6	5	4	3	2	1	0
DIAG_MON_MSB_CH5N[7:0]							
R-0h							

Table 174. DIAG_MON_MSB_IN5M Register Field Descriptions

Bit	Field	Type	Reset	Description
7-0	DIAG_MON_MSB_CH5N[7:0]	R	0h	Diagnostic SAR monitor data MSB byte

8.6.1.4.37 DIAG_MON_LSB_IN5M Register (page = 0x01, address = 0x71) [reset = Bh]

This register is the LSB data nibble of IN5M monitoring. Applicable only for PCM6x60-Q1.

Figure 219. DIAG_MON_LSB_IN5M Register

7	6	5	4	3	2	1	0
DIAG_MON_LSB_CH5N[3:0]				CHANNEL_ID[3:0]			
R-0h				R-Bh			

Table 175. DIAG_MON_LSB_IN5M Register Field Descriptions

Bit	Field	Type	Reset	Description
7-4	DIAG_MON_LSB_CH5N[3:0]	R	0h	Diagnostic SAR monitor data LSB nibble

Table 175. DIAG_MON_LSB_IN5M Register Field Descriptions (continued)

Bit	Field	Type	Reset	Description
3-0	CHANNEL_ID[3:0]	R	Bh	Channel ID value

8.6.1.4.38 DIAG_MON_MSB_IN6P Register (page = 0x01, address = 0x72) [reset = 0h]

This register is the MSB data byte of IN6P monitoring. Applicable only for PCM6x60-Q1.

Figure 220. DIAG_MON_MSB_IN6P Register

7	6	5	4	3	2	1	0
DIAG_MON_MSB_CH6P[7:0]							
R-0h							

Table 176. DIAG_MON_MSB_IN6P Register Field Descriptions

Bit	Field	Type	Reset	Description
7-0	DIAG_MON_MSB_CH6P[7:0]	R	0h	Diagnostic SAR monitor data MSB byte

8.6.1.4.39 DIAG_MON_LSB_IN6P Register (page = 0x01, address = 0x73) [reset = Ch]

This register is the LSB data nibble of IN6P monitoring. Applicable only for PCM6x60-Q1.

Figure 221. DIAG_MON_LSB_IN6P Register

7	6	5	4	3	2	1	0
DIAG_MON_LSB_CH6P[3:0]				CHANNEL_ID[3:0]			
R-0h				R-Ch			

Table 177. DIAG_MON_LSB_IN6P Register Field Descriptions

Bit	Field	Type	Reset	Description
7-4	DIAG_MON_LSB_CH6P[3:0]	R	0h	Diagnostic SAR monitor data LSB nibble
3-0	CHANNEL_ID[3:0]	R	Ch	Channel ID value

8.6.1.4.40 DIAG_MON_MSB_IN6M Register (page = 0x01, address = 0x74) [reset = 0h]

This register is the MSB data byte of IN6M monitoring. Applicable only for PCM6x60-Q1.

Figure 222. DIAG_MON_MSB_IN6M Register

7	6	5	4	3	2	1	0
DIAG_MON_MSB_CH6N[7:0]							
R-0h							

Table 178. DIAG_MON_MSB_IN6M Register Field Descriptions

Bit	Field	Type	Reset	Description
7-0	DIAG_MON_MSB_CH6N[7:0]	R	0h	Diagnostic SAR monitor data MSB byte

8.6.1.4.41 DIAG_MON_LSB_IN6M Register (page = 0x01, address = 0x75) [reset = Dh]

This register is the LSB data nibble of IN6M monitoring. Applicable only for PCM6x60-Q1.

Figure 223. DIAG_MON_LSB_IN6M Register

7	6	5	4	3	2	1	0
DIAG_MON_LSB_CH6N[3:0]				CHANNEL_ID[3:0]			
R-0h				R-Dh			

Table 179. DIAG_MON_LSB_IN6M Register Field Descriptions

Bit	Field	Type	Reset	Description
7-4	DIAG_MON_LSB_CH6N[3:0]	R	0h	Diagnostic SAR monitor data LSB nibble
3-0	CHANNEL_ID[3:0]	R	Dh	Channel ID value

8.6.1.4.42 DIAG_MON_MSB_TEMP Register (page = 0x01, address = 0x76) [reset = 0h]

This register is the MSB data byte of temperature monitoring.

Figure 224. DIAG_MON_MSB_TEMP Register

7	6	5	4	3	2	1	0
DIAG_MON_MSB_TEMP[7:0]							
R-0h							

Table 180. DIAG_MON_MSB_TEMP Register Field Descriptions

Bit	Field	Type	Reset	Description
7-0	DIAG_MON_MSB_TEMP[7:0]	R	0h	Diagnostic SAR monitor data MSB byte

8.6.1.4.43 DIAG_MON_LSB_TEMP Register (page = 0x01, address = 0x77) [reset = Eh]

This register is the LSB data nibble of temperature monitoring.

Figure 225. DIAG_MON_LSB_TEMP Register

7	6	5	4	3	2	1	0
DIAG_MON_LSB_TEMP[3:0]				CHANNEL_ID[3:0]			
R-0h				R-Eh			

Table 181. DIAG_MON_LSB_TEMP Register Field Descriptions

Bit	Field	Type	Reset	Description
7-4	DIAG_MON_LSB_TEMP[3:0]	R	0h	Diagnostic SAR monitor data LSB nibble
3-0	CHANNEL_ID[3:0]	R	Eh	Channel ID value

8.6.1.4.44 DIAG_MON_MSB_LOAD Register (page = 0x01, address = 0x78) [reset = 0h]

This register is the MSB data byte of MICBIAS load current monitoring.

Figure 226. DIAG_MON_MSB_LOAD Register

7	6	5	4	3	2	1	0
DIAG_MON_MSB_LOAD[7:0]							
R-0h							

Table 182. DIAG_MON_MSB_LOAD Register Field Descriptions

Bit	Field	Type	Reset	Description
7-0	DIAG_MON_MSB_LOAD[7:0]	R	0h	Diagnostic SAR monitor data MSB byte

8.6.1.4.45 DIAG_MON_LSB_LOAD Register (page = 0x01, address = 0x79) [reset = Fh]

This register is the LSB data nibble of MICBIAS load current monitoring.

Figure 227. DIAG_MON_LSB_LOAD Register

7	6	5	4	3	2	1	0
DIAG_MON_LSB_LOAD[3:0]				CHANNEL_ID[3:0]			
R-0h				R-Fh			

Table 183. DIAG_MON_LSB_LOAD Register Field Descriptions

Bit	Field	Type	Reset	Description
7-4	DIAG_MON_LSB_LOAD[3:0]	R	0h	Diagnostic SAR monitor data LSB nibble
3-0	CHANNEL_ID[3:0]	R	Fh	Channel ID value

8.6.2 Programmable Coefficient Registers

8.6.2.1 Programmable Coefficient Registers: Page = 0x02

This register page (shown in [Register Description: Page = 0x00](#)) consists of the programmable coefficients for the biquad 1 to biquad 6 filters. To optimize the coefficients register transaction time for page 2, page 3, and page 4, the device also supports (by default) auto-incremented pages for the I²C and SPI burst writes and reads. After a transaction of register address 0x7F, the device auto increments to the next page at register 0x08 to transact the next coefficient value. These programmable coefficients are 32-bit, two's complement numbers.

表 184. Page 0x02 Programmable Coefficient Registers

ADDRESS	REGISTER	RESET	DESCRIPTION
0x00	PAGE[7:0]	0x00	Device page register
0x08	BQ1_N0_BYT1[7:0]	0x7F	Programmable biquad 1, N0 coefficient byte[31:24]
0x09	BQ1_N0_BYT2[7:0]	0xFF	Programmable biquad 1, N0 coefficient byte[23:16]
0x0A	BQ1_N0_BYT3[7:0]	0xFF	Programmable biquad 1, N0 coefficient byte[15:8]
0x0B	BQ1_N0_BYT4[7:0]	0xFF	Programmable biquad 1, N0 coefficient byte[7:0]
0x0C	BQ1_N1_BYT1[7:0]	0x00	Programmable biquad 1, N1 coefficient byte[31:24]
0x0D	BQ1_N1_BYT2[7:0]	0x00	Programmable biquad 1, N1 coefficient byte[23:16]
0x0E	BQ1_N1_BYT3[7:0]	0x00	Programmable biquad 1, N1 coefficient byte[15:8]
0x0F	BQ1_N1_BYT4[7:0]	0x00	Programmable biquad 1, N1 coefficient byte[7:0]
0x10	BQ1_N2_BYT1[7:0]	0x00	Programmable biquad 1, N2 coefficient byte[31:24]
0x11	BQ1_N2_BYT2[7:0]	0x00	Programmable biquad 1, N2 coefficient byte[23:16]
0x12	BQ1_N2_BYT3[7:0]	0x00	Programmable biquad 1, N2 coefficient byte[15:8]
0x13	BQ1_N2_BYT4[7:0]	0x00	Programmable biquad 1, N2 coefficient byte[7:0]
0x14	BQ1_D1_BYT1[7:0]	0x00	Programmable biquad 1, D1 coefficient byte[31:24]
0x15	BQ1_D1_BYT2[7:0]	0x00	Programmable biquad 1, D1 coefficient byte[23:16]
0x16	BQ1_D1_BYT3[7:0]	0x00	Programmable biquad 1, D1 coefficient byte[15:8]
0x17	BQ1_D1_BYT4[7:0]	0x00	Programmable biquad 1, D1 coefficient byte[7:0]
0x18	BQ1_D2_BYT1[7:0]	0x00	Programmable biquad 1, D2 coefficient byte[31:24]
0x19	BQ1_D2_BYT2[7:0]	0x00	Programmable biquad 1, D2 coefficient byte[23:16]
0x1A	BQ1_D2_BYT3[7:0]	0x00	Programmable biquad 1, D2 coefficient byte[15:8]
0x1B	BQ1_D2_BYT4[7:0]	0x00	Programmable biquad 1, D2 coefficient byte[7:0]
0x1C	BQ2_N0_BYT1[7:0]	0x7F	Programmable biquad 2, N0 coefficient byte[31:24]
0x1D	BQ2_N0_BYT2[7:0]	0xFF	Programmable biquad 2, N0 coefficient byte[23:16]
0x1E	BQ2_N0_BYT3[7:0]	0xFF	Programmable biquad 2, N0 coefficient byte[15:8]
0x1F	BQ2_N0_BYT4[7:0]	0xFF	Programmable biquad 2, N0 coefficient byte[7:0]
0x20	BQ2_N1_BYT1[7:0]	0x00	Programmable biquad 2, N1 coefficient byte[31:24]
0x21	BQ2_N1_BYT2[7:0]	0x00	Programmable biquad 2, N1 coefficient byte[23:16]
0x22	BQ2_N1_BYT3[7:0]	0x00	Programmable biquad 2, N1 coefficient byte[15:8]
0x23	BQ2_N1_BYT4[7:0]	0x00	Programmable biquad 2, N1 coefficient byte[7:0]
0x24	BQ2_N2_BYT1[7:0]	0x00	Programmable biquad 2, N2 coefficient byte[31:24]
0x25	BQ2_N2_BYT2[7:0]	0x00	Programmable biquad 2, N2 coefficient byte[23:16]
0x26	BQ2_N2_BYT3[7:0]	0x00	Programmable biquad 2, N2 coefficient byte[15:8]
0x27	BQ2_N2_BYT4[7:0]	0x00	Programmable biquad 2, N2 coefficient byte[7:0]
0x28	BQ2_D1_BYT1[7:0]	0x00	Programmable biquad 2, D1 coefficient byte[31:24]
0x29	BQ2_D1_BYT2[7:0]	0x00	Programmable biquad 2, D1 coefficient byte[23:16]
0x2A	BQ2_D1_BYT3[7:0]	0x00	Programmable biquad 2, D1 coefficient byte[15:8]
0x2B	BQ2_D1_BYT4[7:0]	0x00	Programmable biquad 2, D1 coefficient byte[7:0]
0x2C	BQ2_D2_BYT1[7:0]	0x00	Programmable biquad 2, D2 coefficient byte[31:24]
0x2D	BQ2_D2_BYT2[7:0]	0x00	Programmable biquad 2, D2 coefficient byte[23:16]
0x2E	BQ2_D2_BYT3[7:0]	0x00	Programmable biquad 2, D2 coefficient byte[15:8]
0x2F	BQ2_D2_BYT4[7:0]	0x00	Programmable biquad 2, D2 coefficient byte[7:0]
0x30	BQ3_N0_BYT1[7:0]	0x7F	Programmable biquad 3, N0 coefficient byte[31:24]
0x31	BQ3_N0_BYT2[7:0]	0xFF	Programmable biquad 3, N0 coefficient byte[23:16]

表 184. Page 0x02 Programmable Coefficient Registers (接下页)

0x32	BQ3_N0_BYT3[7:0]	0xFF	Programmable biquad 3, N0 coefficient byte[15:8]
0x33	BQ3_N0_BYT4[7:0]	0xFF	Programmable biquad 3, N0 coefficient byte[7:0]
0x34	BQ3_N1_BYT1[7:0]	0x00	Programmable biquad 3, N1 coefficient byte[31:24]
0x35	BQ3_N1_BYT2[7:0]	0x00	Programmable biquad 3, N1 coefficient byte[23:16]
0x36	BQ3_N1_BYT3[7:0]	0x00	Programmable biquad 3, N1 coefficient byte[15:8]
0x37	BQ3_N1_BYT4[7:0]	0x00	Programmable biquad 3, N1 coefficient byte[7:0]
0x38	BQ3_N2_BYT1[7:0]	0x00	Programmable biquad 3, N2 coefficient byte[31:24]
0x39	BQ3_N2_BYT2[7:0]	0x00	Programmable biquad 3, N2 coefficient byte[23:16]
0x3A	BQ3_N2_BYT3[7:0]	0x00	Programmable biquad 3, N2 coefficient byte[15:8]
0x3B	BQ3_N2_BYT4[7:0]	0x00	Programmable biquad 3, N2 coefficient byte[7:0]
0x3C	BQ3_D1_BYT1[7:0]	0x00	Programmable biquad 3, D1 coefficient byte[31:24]
0x3D	BQ3_D1_BYT2[7:0]	0x00	Programmable biquad 3, D1 coefficient byte[23:16]
0x3E	BQ3_D1_BYT3[7:0]	0x00	Programmable biquad 3, D1 coefficient byte[15:8]
0x3F	BQ3_D1_BYT4[7:0]	0x00	Programmable biquad 3, D1 coefficient byte[7:0]
0x40	BQ3_D2_BYT1[7:0]	0x00	Programmable biquad 3, D2 coefficient byte[31:24]
0x41	BQ3_D2_BYT2[7:0]	0x00	Programmable biquad 3, D2 coefficient byte[23:16]
0x42	BQ3_D2_BYT3[7:0]	0x00	Programmable biquad 3, D2 coefficient byte[15:8]
0x43	BQ3_D2_BYT4[7:0]	0x00	Programmable biquad 3, D2 coefficient byte[7:0]
0x44	BQ4_N0_BYT1[7:0]	0x7F	Programmable biquad 4, N0 coefficient byte[31:24]
0x45	BQ4_N0_BYT2[7:0]	0xFF	Programmable biquad 4, N0 coefficient byte[23:16]
0x46	BQ4_N0_BYT3[7:0]	0xFF	Programmable biquad 4, N0 coefficient byte[15:8]
0x47	BQ4_N0_BYT4[7:0]	0xFF	Programmable biquad 4, N0 coefficient byte[7:0]
0x48	BQ4_N1_BYT1[7:0]	0x00	Programmable biquad 4, N1 coefficient byte[31:24]
0x49	BQ4_N1_BYT2[7:0]	0x00	Programmable biquad 4, N1 coefficient byte[23:16]
0x4A	BQ4_N1_BYT3[7:0]	0x00	Programmable biquad 4, N1 coefficient byte[15:8]
0x4B	BQ4_N1_BYT4[7:0]	0x00	Programmable biquad 4, N1 coefficient byte[7:0]
0x4C	BQ4_N2_BYT1[7:0]	0x00	Programmable biquad 4, N2 coefficient byte[31:24]
0x4D	BQ4_N2_BYT2[7:0]	0x00	Programmable biquad 4, N2 coefficient byte[23:16]
0x4E	BQ4_N2_BYT3[7:0]	0x00	Programmable biquad 4, N2 coefficient byte[15:8]
0x4F	BQ4_N2_BYT4[7:0]	0x00	Programmable biquad 4, N2 coefficient byte[7:0]
0x50	BQ4_D1_BYT1[7:0]	0x00	Programmable biquad 4, D1 coefficient byte[31:24]
0x51	BQ4_D1_BYT2[7:0]	0x00	Programmable biquad 4, D1 coefficient byte[23:16]
0x52	BQ4_D1_BYT3[7:0]	0x00	Programmable biquad 4, D1 coefficient byte[15:8]
0x53	BQ4_D1_BYT4[7:0]	0x00	Programmable biquad 4, D1 coefficient byte[7:0]
0x54	BQ4_D2_BYT1[7:0]	0x00	Programmable biquad 4, D2 coefficient byte[31:24]
0x55	BQ4_D2_BYT2[7:0]	0x00	Programmable biquad 4, D2 coefficient byte[23:16]
0x56	BQ4_D2_BYT3[7:0]	0x00	Programmable biquad 4, D2 coefficient byte[15:8]
0x57	BQ4_D2_BYT4[7:0]	0x00	Programmable biquad 4, D2 coefficient byte[7:0]
0x58	BQ5_N0_BYT1[7:0]	0x7F	Programmable biquad 5, N0 coefficient byte[31:24]
0x59	BQ5_N0_BYT2[7:0]	0xFF	Programmable biquad 5, N0 coefficient byte[23:16]
0x5A	BQ5_N0_BYT3[7:0]	0xFF	Programmable biquad 5, N0 coefficient byte[15:8]
0x5B	BQ5_N0_BYT4[7:0]	0xFF	Programmable biquad 5, N0 coefficient byte[7:0]
0x5C	BQ5_N1_BYT1[7:0]	0x00	Programmable biquad 5, N1 coefficient byte[31:24]
0x5D	BQ5_N1_BYT2[7:0]	0x00	Programmable biquad 5, N1 coefficient byte[23:16]
0x5E	BQ5_N1_BYT3[7:0]	0x00	Programmable biquad 5, N1 coefficient byte[15:8]
0x5F	BQ5_N1_BYT4[7:0]	0x00	Programmable biquad 5, N1 coefficient byte[7:0]
0x60	BQ5_N2_BYT1[7:0]	0x00	Programmable biquad 5, N2 coefficient byte[31:24]
0x61	BQ5_N2_BYT2[7:0]	0x00	Programmable biquad 5, N2 coefficient byte[23:16]
0x62	BQ5_N2_BYT3[7:0]	0x00	Programmable biquad 5, N2 coefficient byte[15:8]
0x63	BQ5_N2_BYT4[7:0]	0x00	Programmable biquad 5, N2 coefficient byte[7:0]
0x64	BQ5_D1_BYT1[7:0]	0x00	Programmable biquad 5, D1 coefficient byte[31:24]
0x65	BQ5_D1_BYT2[7:0]	0x00	Programmable biquad 5, D1 coefficient byte[23:16]

表 184. Page 0x02 Programmable Coefficient Registers (接下页)

0x66	BQ5_D1_BYT3[7:0]	0x00	Programmable biquad 5, D1 coefficient byte[15:8]
0x67	BQ5_D1_BYT4[7:0]	0x00	Programmable biquad 5, D1 coefficient byte[7:0]
0x68	BQ5_D2_BYT1[7:0]	0x00	Programmable biquad 5, D2 coefficient byte[31:24]
0x69	BQ5_D2_BYT2[7:0]	0x00	Programmable biquad 5, D2 coefficient byte[23:16]
0x6A	BQ5_D2_BYT3[7:0]	0x00	Programmable biquad 5, D2 coefficient byte[15:8]
0x6B	BQ5_D2_BYT4[7:0]	0x00	Programmable biquad 5, D2 coefficient byte[7:0]
0x6C	BQ6_N0_BYT1[7:0]	0x7F	Programmable biquad 6, N0 coefficient byte[31:24]
0x6D	BQ6_N0_BYT2[7:0]	0xFF	Programmable biquad 6, N0 coefficient byte[23:16]
0x6E	BQ6_N0_BYT3[7:0]	0xFF	Programmable biquad 6, N0 coefficient byte[15:8]
0x6F	BQ6_N0_BYT4[7:0]	0xFF	Programmable biquad 6, N0 coefficient byte[7:0]
0x70	BQ6_N1_BYT1[7:0]	0x00	Programmable biquad 6, N1 coefficient byte[31:24]
0x71	BQ6_N1_BYT2[7:0]	0x00	Programmable biquad 6, N1 coefficient byte[23:16]
0x72	BQ6_N1_BYT3[7:0]	0x00	Programmable biquad 6, N1 coefficient byte[15:8]
0x73	BQ6_N1_BYT4[7:0]	0x00	Programmable biquad 6, N1 coefficient byte[7:0]
0x74	BQ6_N2_BYT1[7:0]	0x00	Programmable biquad 6, N2 coefficient byte[31:24]
0x75	BQ6_N2_BYT2[7:0]	0x00	Programmable biquad 6, N2 coefficient byte[23:16]
0x76	BQ6_N2_BYT3[7:0]	0x00	Programmable biquad 6, N2 coefficient byte[15:8]
0x77	BQ6_N2_BYT4[7:0]	0x00	Programmable biquad 6, N2 coefficient byte[7:0]
0x78	BQ6_D1_BYT1[7:0]	0x00	Programmable biquad 6, D1 coefficient byte[31:24]
0x79	BQ6_D1_BYT2[7:0]	0x00	Programmable biquad 6, D1 coefficient byte[23:16]
0x7A	BQ6_D1_BYT3[7:0]	0x00	Programmable biquad 6, D1 coefficient byte[15:8]
0x7B	BQ6_D1_BYT4[7:0]	0x00	Programmable biquad 6, D1 coefficient byte[7:0]
0x7C	BQ6_D2_BYT1[7:0]	0x00	Programmable biquad 6, D2 coefficient byte[31:24]
0x7D	BQ6_D2_BYT2[7:0]	0x00	Programmable biquad 6, D2 coefficient byte[23:16]
0x7E	BQ6_D2_BYT3[7:0]	0x00	Programmable biquad 6, D2 coefficient byte[15:8]
0x7F	BQ6_D2_BYT4[7:0]	0x00	Programmable biquad 6, D2 coefficient byte[7:0]

8.6.2.2 Programmable Coefficient Registers: Page = 0x03

This register page (shown in 表 185) consists of the programmable coefficients for the biquad 7 to biquad 12 filters. To optimize the coefficients register transaction time for page 2, page 3, and page 4, the device also supports (by default) auto-incremented pages for the I²C and SPI burst writes and reads. After a transaction of register address 0x7F, the device auto increments to the next page at register 0x08 to transact the next coefficient value. These programmable coefficients are 32-bit, two's complement numbers.

表 185. Page 0x03 Programmable Coefficient Registers

ADDR	REGISTER	RESET	DESCRIPTION
0x00	PAGE[7:0]	0x00	Device page register
0x08	BQ7_N0_BYT1[7:0]	0x7F	Programmable biquad 7, N0 coefficient byte[31:24]
0x09	BQ7_N0_BYT2[7:0]	0xFF	Programmable biquad 7, N0 coefficient byte[23:16]
0x0A	BQ7_N0_BYT3[7:0]	0xFF	Programmable biquad 7, N0 coefficient byte[15:8]
0x0B	BQ7_N0_BYT4[7:0]	0xFF	Programmable biquad 7, N0 coefficient byte[7:0]
0x0C	BQ7_N1_BYT1[7:0]	0x00	Programmable biquad 7, N1 coefficient byte[31:24]
0x0D	BQ7_N1_BYT2[7:0]	0x00	Programmable biquad 7, N1 coefficient byte[23:16]
0x0E	BQ7_N1_BYT3[7:0]	0x00	Programmable biquad 7, N1 coefficient byte[15:8]
0x0F	BQ7_N1_BYT4[7:0]	0x00	Programmable biquad 7, N1 coefficient byte[7:0]
0x10	BQ7_N2_BYT1[7:0]	0x00	Programmable biquad 7, N2 coefficient byte[31:24]
0x11	BQ7_N2_BYT2[7:0]	0x00	Programmable biquad 7, N2 coefficient byte[23:16]
0x12	BQ7_N2_BYT3[7:0]	0x00	Programmable biquad 7, N2 coefficient byte[15:8]
0x13	BQ7_N2_BYT4[7:0]	0x00	Programmable biquad 7, N2 coefficient byte[7:0]
0x14	BQ7_D1_BYT1[7:0]	0x00	Programmable biquad 7, D1 coefficient byte[31:24]
0x15	BQ7_D1_BYT2[7:0]	0x00	Programmable biquad 7, D1 coefficient byte[23:16]
0x16	BQ7_D1_BYT3[7:0]	0x00	Programmable biquad 7, D1 coefficient byte[15:8]
0x17	BQ7_D1_BYT4[7:0]	0x00	Programmable biquad 7, D1 coefficient byte[7:0]
0x18	BQ7_D2_BYT1[7:0]	0x00	Programmable biquad 7, D2 coefficient byte[31:24]
0x19	BQ7_D2_BYT2[7:0]	0x00	Programmable biquad 7, D2 coefficient byte[23:16]
0x1A	BQ7_D2_BYT3[7:0]	0x00	Programmable biquad 7, D2 coefficient byte[15:8]
0x1B	BQ7_D2_BYT4[7:0]	0x00	Programmable biquad 7, D2 coefficient byte[7:0]
0x1C	BQ8_N0_BYT1[7:0]	0x7F	Programmable biquad 8, N0 coefficient byte[31:24]
0x1D	BQ8_N0_BYT2[7:0]	0xFF	Programmable biquad 8, N0 coefficient byte[23:16]
0x1E	BQ8_N0_BYT3[7:0]	0xFF	Programmable biquad 8, N0 coefficient byte[15:8]
0x1F	BQ8_N0_BYT4[7:0]	0xFF	Programmable biquad 8, N0 coefficient byte[7:0]
0x20	BQ8_N1_BYT1[7:0]	0x00	Programmable biquad 8, N1 coefficient byte[31:24]
0x21	BQ8_N1_BYT2[7:0]	0x00	Programmable biquad 8, N1 coefficient byte[23:16]
0x22	BQ8_N1_BYT3[7:0]	0x00	Programmable biquad 8, N1 coefficient byte[15:8]
0x23	BQ8_N1_BYT4[7:0]	0x00	Programmable biquad 8, N1 coefficient byte[7:0]
0x24	BQ8_N2_BYT1[7:0]	0x00	Programmable biquad 8, N2 coefficient byte[31:24]
0x25	BQ8_N2_BYT2[7:0]	0x00	Programmable biquad 8, N2 coefficient byte[23:16]
0x26	BQ8_N2_BYT3[7:0]	0x00	Programmable biquad 8, N2 coefficient byte[15:8]
0x27	BQ8_N2_BYT4[7:0]	0x00	Programmable biquad 8, N2 coefficient byte[7:0]
0x28	BQ8_D1_BYT1[7:0]	0x00	Programmable biquad 8, D1 coefficient byte[31:24]
0x29	BQ8_D1_BYT2[7:0]	0x00	Programmable biquad 8, D1 coefficient byte[23:16]
0x2A	BQ8_D1_BYT3[7:0]	0x00	Programmable biquad 8, D1 coefficient byte[15:8]
0x2B	BQ8_D1_BYT4[7:0]	0x00	Programmable biquad 8, D1 coefficient byte[7:0]
0x2C	BQ8_D2_BYT1[7:0]	0x00	Programmable biquad 8, D2 coefficient byte[31:24]
0x2D	BQ8_D2_BYT2[7:0]	0x00	Programmable biquad 8, D2 coefficient byte[23:16]
0x2E	BQ8_D2_BYT3[7:0]	0x00	Programmable biquad 8, D2 coefficient byte[15:8]
0x2F	BQ8_D2_BYT4[7:0]	0x00	Programmable biquad 8, D2 coefficient byte[7:0]
0x30	BQ9_N0_BYT1[7:0]	0x7F	Programmable biquad 9, N0 coefficient byte[31:24]
0x31	BQ9_N0_BYT2[7:0]	0xFF	Programmable biquad 9, N0 coefficient byte[23:16]
0x32	BQ9_N0_BYT3[7:0]	0xFF	Programmable biquad 9, N0 coefficient byte[15:8]

表 185. Page 0x03 Programmable Coefficient Registers (接下页)

0x33	BQ9_N0_BYT4[7:0]	0xFF	Programmable biquad 9, N0 coefficient byte[7:0]
0x34	BQ9_N1_BYT1[7:0]	0x00	Programmable biquad 9, N1 coefficient byte[31:24]
0x35	BQ9_N1_BYT2[7:0]	0x00	Programmable biquad 9, N1 coefficient byte[23:16]
0x36	BQ9_N1_BYT3[7:0]	0x00	Programmable biquad 9, N1 coefficient byte[15:8]
0x37	BQ9_N1_BYT4[7:0]	0x00	Programmable biquad 9, N1 coefficient byte[7:0]
0x38	BQ9_N2_BYT1[7:0]	0x00	Programmable biquad 9, N2 coefficient byte[31:24]
0x39	BQ9_N2_BYT2[7:0]	0x00	Programmable biquad 9, N2 coefficient byte[23:16]
0x3A	BQ9_N2_BYT3[7:0]	0x00	Programmable biquad 9, N2 coefficient byte[15:8]
0x3B	BQ9_N2_BYT4[7:0]	0x00	Programmable biquad 9, N2 coefficient byte[7:0]
0x3C	BQ9_D1_BYT1[7:0]	0x00	Programmable biquad 9, D1 coefficient byte[31:24]
0x3D	BQ9_D1_BYT2[7:0]	0x00	Programmable biquad 9, D1 coefficient byte[23:16]
0x3E	BQ9_D1_BYT3[7:0]	0x00	Programmable biquad 9, D1 coefficient byte[15:8]
0x3F	BQ9_D1_BYT4[7:0]	0x00	Programmable biquad 9, D1 coefficient byte[7:0]
0x40	BQ9_D2_BYT1[7:0]	0x00	Programmable biquad 9, D2 coefficient byte[31:24]
0x41	BQ9_D2_BYT2[7:0]	0x00	Programmable biquad 9, D2 coefficient byte[23:16]
0x42	BQ9_D2_BYT3[7:0]	0x00	Programmable biquad 9, D2 coefficient byte[15:8]
0x43	BQ9_D2_BYT4[7:0]	0x00	Programmable biquad 9, D2 coefficient byte[7:0]
0x44	BQ10_N0_BYT1[7:0]	0x7F	Programmable biquad 10, N0 coefficient byte[31:24]
0x45	BQ10_N0_BYT2[7:0]	0xFF	Programmable biquad 10, N0 coefficient byte[23:16]
0x46	BQ10_N0_BYT3[7:0]	0xFF	Programmable biquad 10, N0 coefficient byte[15:8]
0x47	BQ10_N0_BYT4[7:0]	0xFF	Programmable biquad 10, N0 coefficient byte[7:0]
0x48	BQ10_N1_BYT1[7:0]	0x00	Programmable biquad 10, N1 coefficient byte[31:24]
0x49	BQ10_N1_BYT2[7:0]	0x00	Programmable biquad 10, N1 coefficient byte[23:16]
0x4A	BQ10_N1_BYT3[7:0]	0x00	Programmable biquad 10, N1 coefficient byte[15:8]
0x4B	BQ10_N1_BYT4[7:0]	0x00	Programmable biquad 10, N1 coefficient byte[7:0]
0x4C	BQ10_N2_BYT1[7:0]	0x00	Programmable biquad 10, N2 coefficient byte[31:24]
0x4D	BQ10_N2_BYT2[7:0]	0x00	Programmable biquad 10, N2 coefficient byte[23:16]
0x4E	BQ10_N2_BYT3[7:0]	0x00	Programmable biquad 10, N2 coefficient byte[15:8]
0x4F	BQ10_N2_BYT4[7:0]	0x00	Programmable biquad 10, N2 coefficient byte[7:0]
0x50	BQ10_D1_BYT1[7:0]	0x00	Programmable biquad 10, D1 coefficient byte[31:24]
0x51	BQ10_D1_BYT2[7:0]	0x00	Programmable biquad 10, D1 coefficient byte[23:16]
0x52	BQ10_D1_BYT3[7:0]	0x00	Programmable biquad 10, D1 coefficient byte[15:8]
0x53	BQ10_D1_BYT4[7:0]	0x00	Programmable biquad 10, D1 coefficient byte[7:0]
0x54	BQ10_D2_BYT1[7:0]	0x00	Programmable biquad 10, D2 coefficient byte[31:24]
0x55	BQ10_D2_BYT2[7:0]	0x00	Programmable biquad 10, D2 coefficient byte[23:16]
0x56	BQ10_D2_BYT3[7:0]	0x00	Programmable biquad 10, D2 coefficient byte[15:8]
0x57	BQ10_D2_BYT4[7:0]	0x00	Programmable biquad 10, D2 coefficient byte[7:0]
0x58	BQ11_N0_BYT1[7:0]	0x7F	Programmable biquad 11, N0 coefficient byte[31:24]
0x59	BQ11_N0_BYT2[7:0]	0xFF	Programmable biquad 11, N0 coefficient byte[23:16]
0x5A	BQ11_N0_BYT3[7:0]	0xFF	Programmable biquad 11, N0 coefficient byte[15:8]
0x5B	BQ11_N0_BYT4[7:0]	0xFF	Programmable biquad 11, N0 coefficient byte[7:0]
0x5C	BQ11_N1_BYT1[7:0]	0x00	Programmable biquad 11, N1 coefficient byte[31:24]
0x5D	BQ11_N1_BYT2[7:0]	0x00	Programmable biquad 11, N1 coefficient byte[23:16]
0x5E	BQ11_N1_BYT3[7:0]	0x00	Programmable biquad 11, N1 coefficient byte[15:8]
0x5F	BQ11_N1_BYT4[7:0]	0x00	Programmable biquad 11, N1 coefficient byte[7:0]
0x60	BQ11_N2_BYT1[7:0]	0x00	Programmable biquad 11, N2 coefficient byte[31:24]
0x61	BQ11_N2_BYT2[7:0]	0x00	Programmable biquad 11, N2 coefficient byte[23:16]
0x62	BQ11_N2_BYT3[7:0]	0x00	Programmable biquad 11, N2 coefficient byte[15:8]
0x63	BQ11_N2_BYT4[7:0]	0x00	Programmable biquad 11, N2 coefficient byte[7:0]
0x64	BQ11_D1_BYT1[7:0]	0x00	Programmable biquad 11, D1 coefficient byte[31:24]
0x65	BQ11_D1_BYT2[7:0]	0x00	Programmable biquad 11, D1 coefficient byte[23:16]
0x66	BQ11_D1_BYT3[7:0]	0x00	Programmable biquad 11, D1 coefficient byte[15:8]

表 185. Page 0x03 Programmable Coefficient Registers (接下页)

0x67	BQ11_D1_BYT4[7:0]	0x00	Programmable biquad 11, D1 coefficient byte[7:0]
0x68	BQ11_D2_BYT1[7:0]	0x00	Programmable biquad 11, D2 coefficient byte[31:24]
0x69	BQ11_D2_BYT2[7:0]	0x00	Programmable biquad 11, D2 coefficient byte[23:16]
0x6A	BQ11_D2_BYT3[7:0]	0x00	Programmable biquad 11, D2 coefficient byte[15:8]
0x6B	BQ11_D2_BYT4[7:0]	0x00	Programmable biquad 11, D2 coefficient byte[7:0]
0x6C	BQ12_N0_BYT1[7:0]	0x7F	Programmable biquad 12, N0 coefficient byte[31:24]
0x6D	BQ12_N0_BYT2[7:0]	0xFF	Programmable biquad 12, N0 coefficient byte[23:16]
0x6E	BQ12_N0_BYT3[7:0]	0xFF	Programmable biquad 12, N0 coefficient byte[15:8]
0x6F	BQ12_N0_BYT4[7:0]	0xFF	Programmable biquad 12, N0 coefficient byte[7:0]
0x70	BQ12_N1_BYT1[7:0]	0x00	Programmable biquad 12, N1 coefficient byte[31:24]
0x71	BQ12_N1_BYT2[7:0]	0x00	Programmable biquad 12, N1 coefficient byte[23:16]
0x72	BQ12_N1_BYT3[7:0]	0x00	Programmable biquad 12, N1 coefficient byte[15:8]
0x73	BQ12_N1_BYT4[7:0]	0x00	Programmable biquad 12, N1 coefficient byte[7:0]
0x74	BQ12_N2_BYT1[7:0]	0x00	Programmable biquad 12, N2 coefficient byte[31:24]
0x75	BQ12_N2_BYT2[7:0]	0x00	Programmable biquad 12, N2 coefficient byte[23:16]
0x76	BQ12_N2_BYT3[7:0]	0x00	Programmable biquad 12, N2 coefficient byte[15:8]
0x77	BQ12_N2_BYT4[7:0]	0x00	Programmable biquad 12, N2 coefficient byte[7:0]
0x78	BQ12_D1_BYT1[7:0]	0x00	Programmable biquad 12, D1 coefficient byte[31:24]
0x79	BQ12_D1_BYT2[7:0]	0x00	Programmable biquad 12, D1 coefficient byte[23:16]
0x7A	BQ12_D1_BYT3[7:0]	0x00	Programmable biquad 12, D1 coefficient byte[15:8]
0x7B	BQ12_D1_BYT4[7:0]	0x00	Programmable biquad 12, D1 coefficient byte[7:0]
0x7C	BQ12_D2_BYT1[7:0]	0x00	Programmable biquad 12, D2 coefficient byte[31:24]
0x7D	BQ12_D2_BYT2[7:0]	0x00	Programmable biquad 12, D2 coefficient byte[23:16]
0x7E	BQ12_D2_BYT3[7:0]	0x00	Programmable biquad 12, D2 coefficient byte[15:8]
0x7F	BQ12_D2_BYT4[7:0]	0x00	Programmable biquad 12, D2 coefficient byte[7:0]

8.6.2.3 Programmable Coefficient Registers: Page = 0x04

This register page (shown in 表 186) consists of the programmable coefficients for mixer 1 to mixer 4 and the first-order IIR filter. All mixer coefficients are 32-bit, two's complement numbers using a 1.31 number format. The value of 0x7FFFFFFF is equivalent to +1 (0-dB gain), the value 0x00000000 is equivalent to mute (zero data) and all values in between set the mixer attenuation computed using 公式 4. If the MSB is set to '1' then the attenuation remains the same but the signal phase is inverted. All IIR filter programmable coefficients are 32-bit, two's complement numbers.

$$\text{hex2dec}(\text{value}) / 2^{31}$$

(4)

表 186. Page 0x04 Programmable Coefficient Registers

ADDR	REGISTER	RESET	DESCRIPTION
0x00	PAGE[7:0]	0x00	Device page register
0x08	MIX1_CH1_BYT1[7:0]	0x7F	Digital mixer 1, channel 1 coefficient byte[31:24]
0x09	MIX1_CH1_BYT2[7:0]	0xFF	Digital mixer 1, channel 1 coefficient byte[23:16]
0x0A	MIX1_CH1_BYT3[7:0]	0xFF	Digital mixer 1, channel 1 coefficient byte[15:8]
0x0B	MIX1_CH1_BYT4[7:0]	0xFF	Digital mixer 1, channel 1 coefficient byte[7:0]
0x0C	MIX1_CH2_BYT1[7:0]	0x00	Digital mixer 1, channel 2 coefficient byte[31:24]
0x0D	MIX1_CH2_BYT2[7:0]	0x00	Digital mixer 1, channel 2 coefficient byte[23:16]
0x0E	MIX1_CH2_BYT3[7:0]	0x00	Digital mixer 1, channel 2 coefficient byte[15:8]
0x0F	MIX1_CH2_BYT4[7:0]	0x00	Digital mixer 1, channel 2 coefficient byte[7:0]
0x10	MIX1_CH3_BYT1[7:0]	0x00	Digital mixer 1, channel 3 coefficient byte[31:24]
0x11	MIX1_CH3_BYT2[7:0]	0x00	Digital mixer 1, channel 3 coefficient byte[23:16]
0x12	MIX1_CH3_BYT3[7:0]	0x00	Digital mixer 1, channel 3 coefficient byte[15:8]
0x13	MIX1_CH3_BYT4[7:0]	0x00	Digital mixer 1, channel 3 coefficient byte[7:0]
0x14	MIX1_CH4_BYT1[7:0]	0x00	Digital mixer 1, channel 4 coefficient byte[31:24]
0x15	MIX1_CH4_BYT2[7:0]	0x00	Digital mixer 1, channel 4 coefficient byte[23:16]
0x16	MIX1_CH4_BYT3[7:0]	0x00	Digital mixer 1, channel 4 coefficient byte[15:8]
0x17	MIX1_CH4_BYT4[7:0]	0x00	Digital mixer 1, channel 4 coefficient byte[7:0]
0x18	MIX2_CH1_BYT1[7:0]	0x00	Digital mixer 2, channel 1 coefficient byte[31:24]
0x19	MIX2_CH1_BYT2[7:0]	0x00	Digital mixer 2, channel 1 coefficient byte[23:16]
0x1A	MIX2_CH1_BYT3[7:0]	0x00	Digital mixer 2, channel 1 coefficient byte[15:8]
0x1B	MIX2_CH1_BYT4[7:0]	0x00	Digital mixer 2, channel 1 coefficient byte[7:0]
0x1C	MIX2_CH2_BYT1[7:0]	0x7F	Digital mixer 2, channel 2 coefficient byte[31:24]
0x1D	MIX2_CH2_BYT2[7:0]	0xFF	Digital mixer 2, channel 2 coefficient byte[23:16]
0x1E	MIX2_CH2_BYT3[7:0]	0xFF	Digital mixer 2, channel 2 coefficient byte[15:8]
0x1F	MIX2_CH2_BYT4[7:0]	0xFF	Digital mixer 2, channel 2 coefficient byte[7:0]
0x20	MIX2_CH3_BYT1[7:0]	0x00	Digital mixer 2, channel 3 coefficient byte[31:24]
0x21	MIX2_CH3_BYT2[7:0]	0x00	Digital mixer 2, channel 3 coefficient byte[23:16]
0x22	MIX2_CH3_BYT3[7:0]	0x00	Digital mixer 2, channel 3 coefficient byte[15:8]
0x23	MIX2_CH3_BYT4[7:0]	0x00	Digital mixer 2, channel 3 coefficient byte[7:0]
0x24	MIX2_CH4_BYT1[7:0]	0x00	Digital mixer 2, channel 4 coefficient byte[31:24]
0x25	MIX2_CH4_BYT2[7:0]	0x00	Digital mixer 2, channel 4 coefficient byte[23:16]
0x26	MIX2_CH4_BYT3[7:0]	0x00	Digital mixer 2, channel 4 coefficient byte[15:8]
0x27	MIX2_CH4_BYT4[7:0]	0x00	Digital mixer 2, channel 4 coefficient byte[7:0]
0x28	MIX3_CH1_BYT1[7:0]	0x00	Digital mixer 3, channel 1 coefficient byte[31:24]
0x29	MIX3_CH1_BYT2[7:0]	0x00	Digital mixer 3, channel 1 coefficient byte[23:16]
0x2A	MIX3_CH1_BYT3[7:0]	0x00	Digital mixer 3, channel 1 coefficient byte[15:8]
0x2B	MIX3_CH1_BYT4[7:0]	0x00	Digital mixer 3, channel 1 coefficient byte[7:0]
0x2C	MIX3_CH2_BYT1[7:0]	0x00	Digital mixer 3, channel 2 coefficient byte[31:24]
0x2D	MIX3_CH2_BYT2[7:0]	0x00	Digital mixer 3, channel 2 coefficient byte[23:16]
0x2E	MIX3_CH2_BYT3[7:0]	0x00	Digital mixer 3, channel 2 coefficient byte[15:8]
0x2F	MIX3_CH2_BYT4[7:0]	0x00	Digital mixer 3, channel 2 coefficient byte[7:0]
0x30	MIX3_CH3_BYT1[7:0]	0x7F	Digital mixer 3, channel 3 coefficient byte[31:24]

表 186. Page 0x04 Programmable Coefficient Registers (接下页)

0x31	MIX3_CH3_BYT2[7:0]	0xFF	Digital mixer 3, channel 3 coefficient byte[23:16]
0x32	MIX3_CH3_BYT3[7:0]	0xFF	Digital mixer 3, channel 3 coefficient byte[15:8]
0x33	MIX3_CH3_BYT4[7:0]	0xFF	Digital mixer 3, channel 3 coefficient byte[7:0]
0x34	MIX3_CH4_BYT1[7:0]	0x00	Digital mixer 3, channel 4 coefficient byte[31:24]
0x35	MIX3_CH4_BYT2[7:0]	0x00	Digital mixer 3, channel 4 coefficient byte[23:16]
0x36	MIX3_CH4_BYT3[7:0]	0x00	Digital mixer 3, channel 4 coefficient byte[15:8]
0x37	MIX3_CH4_BYT4[7:0]	0x00	Digital mixer 3, channel 4 coefficient byte[7:0]
0x38	MIX4_CH1_BYT1[7:0]	0x00	Digital mixer 4, channel 1 coefficient byte[31:24]
0x39	MIX4_CH1_BYT2[7:0]	0x00	Digital mixer 4, channel 1 coefficient byte[23:16]
0x3A	MIX4_CH1_BYT3[7:0]	0x00	Digital mixer 4, channel 1 coefficient byte[15:8]
0x3B	MIX4_CH1_BYT4[7:0]	0x00	Digital mixer 4, channel 1 coefficient byte[7:0]
0x3C	MIX4_CH2_BYT1[7:0]	0x00	Digital mixer 4, channel 2 coefficient byte[31:24]
0x3D	MIX4_CH2_BYT2[7:0]	0x00	Digital mixer 4, channel 2 coefficient byte[23:16]
0x3E	MIX4_CH2_BYT3[7:0]	0x00	Digital mixer 4, channel 2 coefficient byte[15:8]
0x3F	MIX4_CH2_BYT4[7:0]	0x00	Digital mixer 4, channel 2 coefficient byte[7:0]
0x40	MIX4_CH3_BYT1[7:0]	0x00	Digital mixer 4, channel 3 coefficient byte[31:24]
0x41	MIX4_CH3_BYT2[7:0]	0x00	Digital mixer 4, channel 3 coefficient byte[23:16]
0x42	MIX4_CH3_BYT3[7:0]	0x00	Digital mixer 4, channel 3 coefficient byte[15:8]
0x43	MIX4_CH3_BYT4[7:0]	0x00	Digital mixer 4, channel 3 coefficient byte[7:0]
0x44	MIX4_CH4_BYT1[7:0]	0x7F	Digital mixer 4, channel 4 coefficient byte[31:24]
0x45	MIX4_CH4_BYT2[7:0]	0xFF	Digital mixer 4, channel 4 coefficient byte[23:16]
0x46	MIX4_CH4_BYT3[7:0]	0xFF	Digital mixer 4, channel 4 coefficient byte[15:8]
0x47	MIX4_CH4_BYT4[7:0]	0xFF	Digital mixer 4, channel 4 coefficient byte[7:0]
0x48	IIR_NO_BYT1[7:0]	0x7F	Programmable first-order IIR, N0 coefficient byte[31:24]
0x49	IIR_NO_BYT2[7:0]	0xFF	Programmable first-order IIR, N0 coefficient byte[23:16]
0x4A	IIR_NO_BYT3[7:0]	0xFF	Programmable first-order IIR, N0 coefficient byte[15:8]
0x4B	IIR_NO_BYT4[7:0]	0xFF	Programmable first-order IIR, N0 coefficient byte[7:0]
0x4C	IIR_N1_BYT1[7:0]	0x00	Programmable first-order IIR, N1 coefficient byte[31:24]
0x4D	IIR_N1_BYT2[7:0]	0x00	Programmable first-order IIR, N1 coefficient byte[23:16]
0x4E	IIR_N1_BYT3[7:0]	0x00	Programmable first-order IIR, N1 coefficient byte[15:8]
0x4F	IIR_N1_BYT4[7:0]	0x00	Programmable first-order IIR, N1 coefficient byte[7:0]
0x50	IIR_D1_BYT1[7:0]	0x00	Programmable first-order IIR, D1 coefficient byte[31:24]
0x51	IIR_D1_BYT2[7:0]	0x00	Programmable first-order IIR, D1 coefficient byte[23:16]
0x52	IIR_D1_BYT3[7:0]	0x00	Programmable first-order IIR, D1 coefficient byte[15:8]
0x53	IIR_D1_BYT4[7:0]	0x00	Programmable first-order IIR, D1 coefficient byte[7:0]

9 Application and Implementation

注

Information in the following applications sections is not part of the TI component specification, and TI does not warrant its accuracy or completeness. TI's customers are responsible for determining suitability of components for their purposes. Customers should validate and test their design implementation to confirm system functionality.

9.1 Application Information

The PCM6xx0-Q1 are multichannel, automotive qualified audio ADCs that support output sample rates of up to 384 kHz. The PCM6x60-Q1 support up to six analog microphones and the PCM6x40-Q1 support up to four analog microphones for simultaneous recording applications. The PCM6xx0-Q1 family is intended for automotive applications such as vehicle cabin active noise cancellation, hands-free in-vehicle communication, emergency call, and multi-media applications. These devices integrate a host of features to reduce cost, board space, and power consumption in space-constrained automotive subsystem designs.

Communication to the PCM6xx0-Q1 for configuration of the control registers is supported using an I²C or SPI interface. The device supports a highly flexible audio serial interface (TDM, I²S, or LJ) to transmit audio data seamlessly in the system across devices.

9.2 Typical Applications

9.2.1 Four-Channel Analog Microphone Recording Using the PCM6240-Q1

Figure 228 shows a typical configuration of the PCM6240-Q1 for an application using four analog microphones for simultaneous recording operation with an I²C control interface and the TDM audio data slave interface.

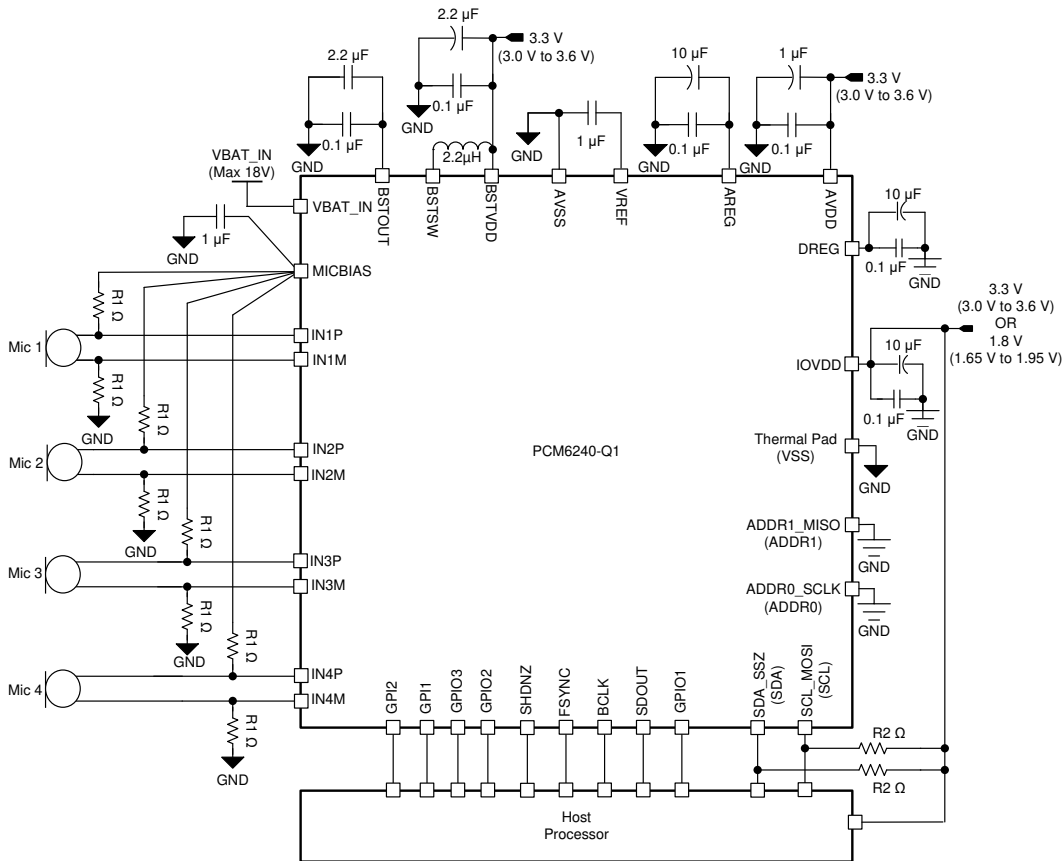


图 228. Four-Channel Analog Microphone Recording

Typical Applications (接下页)

9.2.1.1 Design Requirements

表 187 lists the design parameters for this application.

表 187. Design Parameters

KEY PARAMETER	SPECIFICATION
AVDD, BSTVDD	3.3 V
AVDD supply current	24 mA (PLL on, four-channel record, $f_s = 44.1$ kHz)
IOVDD	1.8 V or 3.3 V
Maximum MICBIAS current	< 28 mA (MICBIAS voltage = 8 V, microphone impedance = 680 Ω and R1 = 340 Ω)

9.2.1.2 Detailed Design Procedure

This section describes the necessary steps to configure the PCM6240-Q1 for this specific application. The following steps give a sequence of items that must be executed in the time between powering the device up and reading data from the device or transitioning from one mode to other mode of operation.

1. Apply Power to Device:

- Power up the IOVDD, AVDD, and BSTVDD power supplies, keeping the SHDNZ pin voltage low
- The device now goes into hardware shutdown mode (ultra-low-power mode < 1 μ A)

2. Transition From Hardware Shutdown Mode to Sleep Mode (or Software Shutdown Mode):

- Release SHDNZ only when the IOVDD, AVDD, and BSTVDD power supplies settle to steady-state operating voltage
- Wait for at least 1 ms to allow the device to initialize the internal registers
- The device now goes into sleep mode (low-power mode < 20 μ A)

3. Transition From Sleep Mode to Active Mode Whenever Required for the Record Operation:

- Wake-up the device by writing P0_R2 to disable sleep mode
- Wait for at least 1ms to allow the device internal wake-up sequence to complete
- Override the default configuration registers or programmable coefficients value as required (optional)*
- Enable all desired input channels by writing P0_R115
- Enable all desired audio serial interface output channels by writing P0_R116
- Power-up the ADC, MICBIAS, and PLL by writing P0_R117
- Apply FSYNC and BCLK with the desired output sample rates and the BCLK to FSYNC ratio

This specific step can be done at any point in the sequence after step a

See the [Phase-Locked Loop \(PLL\) and Clock Generation](#) section for the supported sample rates and the BCLK to FSYNC ratio

- The device recording data are now sent to the host processor via the TDM audio serial data bus
- Wait for at least 10 ms to allow the MICBIAS to power up
- Enable the fault diagnostics for all desired input channels by writing P0_R100

4. Transition From Active Mode to Sleep Mode (Again) as Required in the System Low Power:

- Disable the fault diagnostics for all desired input channels by writing P0_R100
- Go to sleep mode by writing P0_R2 to enable sleep mode
- Wait at least 20 ms to allow the volume to gradually ramp down and for all blocks to power down
- Read P0_R119 to check the device shutdown and sleep mode status
- If the device P0_R119_D7 status bit is 1'b1, then stop FSYNC and BCLK in the system
- The device now goes into sleep mode (low-power mode < 20 μ A) and retains all register values

5. Transition From Sleep Mode to Active Mode (Again) as Required for the Record Operation:

- Wake-up the device by writing P0_R2 to disable sleep mode
- Wait for at least 1 ms to allow the device internal wake-up sequence to complete

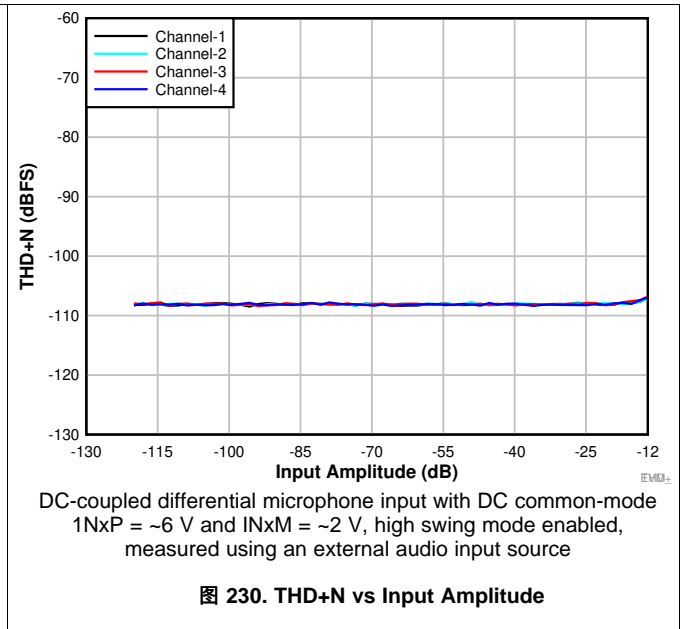
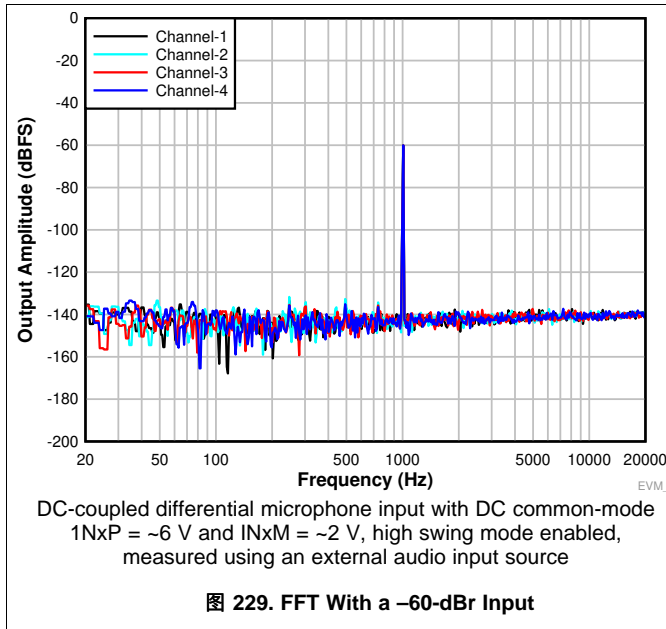
- c. Apply FSYNC and BCLK with the desired output sample rates and BCLK to FSYNC ratio
- d. The device recording data are now sent to the host processor via the TDM audio serial data bus
- e. Wait for at least 10 ms to allow the MICBIAS to power up
- f. Enable the fault diagnostics for all desired input channels by writing P0_R100

6. Repeat Step 4 and Step 5 as Required for Mode Transitions
7. Assert the SHDNZ Pin Low to Enter Hardware Shutdown Mode (Again) at Any Time
8. Follow Step 2 Onwards to Exit Hardware Shutdown Mode (Again)
9.2.1.2.1 Example Device Register Configuration Script for EVM Setup

This section provides a typical EVM I²C register control script that shows how to set up the PCM6240-Q1 in a 4-channel analog microphone record mode with differential inputs.

```
#
# Key: w 98 XX YY ==> write to I2C address 0x98, to register 0xXX, data 0xYY
#           # ==> comment delimiter
#
# The following list gives an example sequence of items that must be executed in the time
# between powering the device up and reading data from the device. Note that there are
# other valid sequences depending on which features are used.
#
# PCM6240-Q1EVM Key Jumper Settings and Audio Connections:
# 1. TBD
# 2. TBD
# 3. TBD
# Differential 4-channel : INP1/INM1 - Ch1, INP2/INM2 - Ch2, INP3/INM3 - Ch3 and INP4/INM4 - Ch4
# High swing mode enabled
# FSYNC = 44.1 kHz (Output Data Sample Rate), BCLK = 11.2896 MHz (BCLK/FSYNC = 256)
#####
#
# Power up IOVDD, AVDD and BSTVDD power supplies keeping SHDNZ pin voltage LOW
# Wait for IOVDD, AVDD and BSTVDD power supplies to settle to steady state operating voltage range.
# Release SHDNZ to HIGH.
# Wait for 1ms.
#
# Wake-up device by I2C write into P0_R2 using internal AREG
w 90 02 81
#
# Powerdown MICBIAS and ADC channels on fault detection (overtemperature, and so forth)
w 90 28 10
#
# Configure channel 1 DC-coupled, differential microphone input with high-swing mode
w 90 3C 18
#
# Configure channel 2 DC-coupled, differential microphone input with high-swing mode
w 90 41 18
#
# Configure channel 3 DC-coupled, differential microphone input with high-swing mode
w 90 46 18
#
# Configure channel 4 DC-coupled, differential microphone input with high-swing mode
w 90 4B 18
#
# Enable input channel 1 to channel 4 by I2C write into P0_R115
w 90 73 F0
#
# Enable ASI output channel 1 to channel 4 slots by I2C write into P0_R116
w 90 74 F0
#
# Power-up ADC, MICBIAS and PLL by I2C write into P0_R117
w 90 75 E0
#
# Apply FSYNC = 44.1 kHz and BCLK = 11.2896 MHz and
# Start recording data by host on ASI bus with TDM protocol 32-bit channel word length
#
# Wait for 10 ms.
# Enable diagnostics for channel 1 to channel 4 by I2C write into P0_R100
w 90 64 F0
#
```


9.2.1.3 Application Curves



9.3 What To Do and What Not To Do

In master mode operation with I²S or LJ format, the device generates FSYNC half a cycle earlier than the normal protocol timing behavior expected. This timing behavior can still function for most of the system, however for further details and a suggested workaround for this weakness, see the [Configuring and Operating the PCM6xx0-Q1 as an Audio Bus Master](#) application report.

The automatic gain controller (AGC) feature has some limitation when using sampling rates lower than 44.1 kHz. For further details about this limitation, see the [Using the Automatic Gain Controller \(AGC\) in PCM6xx0-Q1](#) application report.

10 Power Supply Recommendations

The power-supply sequence between the IOVDD and AVDD rails can be applied in any order. However, keep the SHDNZ pin low until the IOVDD supply voltage settles to a stable and supported operating voltage range. After the IOVDD and AVDD supplies are stable, set the SHDNZ pin high to initialize the device. BSTVDD (or HVDD for the PCM63x0-Q1) can be either applied along with AVDD or later but before turning on the MICBIAS. [图 231](#) shows the power supply sequencing requirements.

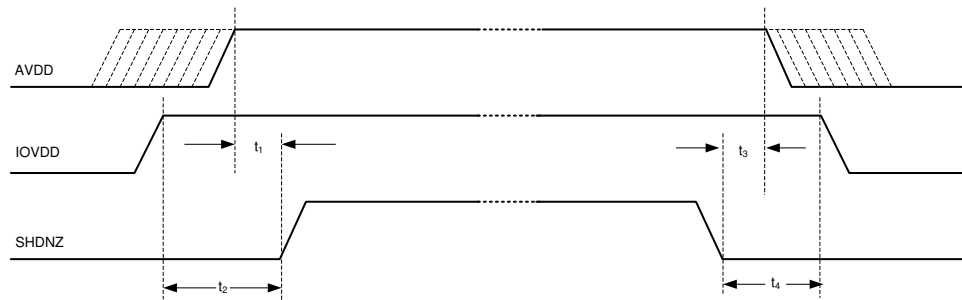


图 231. Power-Supply Sequencing Requirement

For the supply power-up requirement, t_1 and t_2 must be at least 100 μs . For the supply power-down requirement, t_3 and t_4 must be at least 10 ms. This time allows the device to ramp down the volume on the record data, and power down the analog and digital blocks, and lastly put the device into hardware shutdown mode. The device can also be immediately put into hardware shutdown mode from active mode if SHDNZ_CFG[1:0] is set to 2'b00 using the P0_R5_D[3:2] bits. In that case, t_3 and t_4 are required to be at least 100 μs .

Make sure that the supply ramp rate is faster than 1 V/ μs and that the wait time between a power-down and a power-up event is at least 100 ms.

After the releasing SHDNZ, or after a software reset, delay any additional I²C or SPI transactions to the device for at least 2 ms to allow the device to initialize the internal registers. See the [Device Functional Modes](#) section to operate the device in various modes after the device power supplies are settled to the recommended operating voltage levels.

11 Layout

11.1 Layout Guidelines

Each system design and printed circuit board (PCB) layout is unique. The layout must be carefully reviewed in the context of a specific PCB design. However, the following guidelines can optimize the device performance:

- Connect the thermal pad to ground. Use a via pattern to connect the device thermal pad, the area directly under the device, to the ground planes. This connection helps dissipate heat from the device.
- The boost converter inductor and decoupling capacitors for the power supplies must be placed close to the device pins.
- Route analog differential audio signals differentially on the PCB for better noise immunity. Avoid crossing digital and analog signals to avoid undesirable crosstalk.
- The device internal voltage references must be filtered using external capacitors. Place the filter capacitors near the VREF pin for optimal performance.
- Directly tap the MICBIAS pin to avoid common impedance when routing the biasing or supply for multiple microphones to avoid coupling across microphones.
- An external circuit must be used to suppress or filter the amount of high-frequency electromagnetic interference (EMI) noise found in the microphone input path resulting from long cables (if used) in the system.
- Use ground planes to provide the lowest impedance for power and signal current between the device and the decoupling capacitors. Treat the area directly under the device as a central ground area for the device, and all device grounds must be connected directly to that area.

11.2 Layout Examples

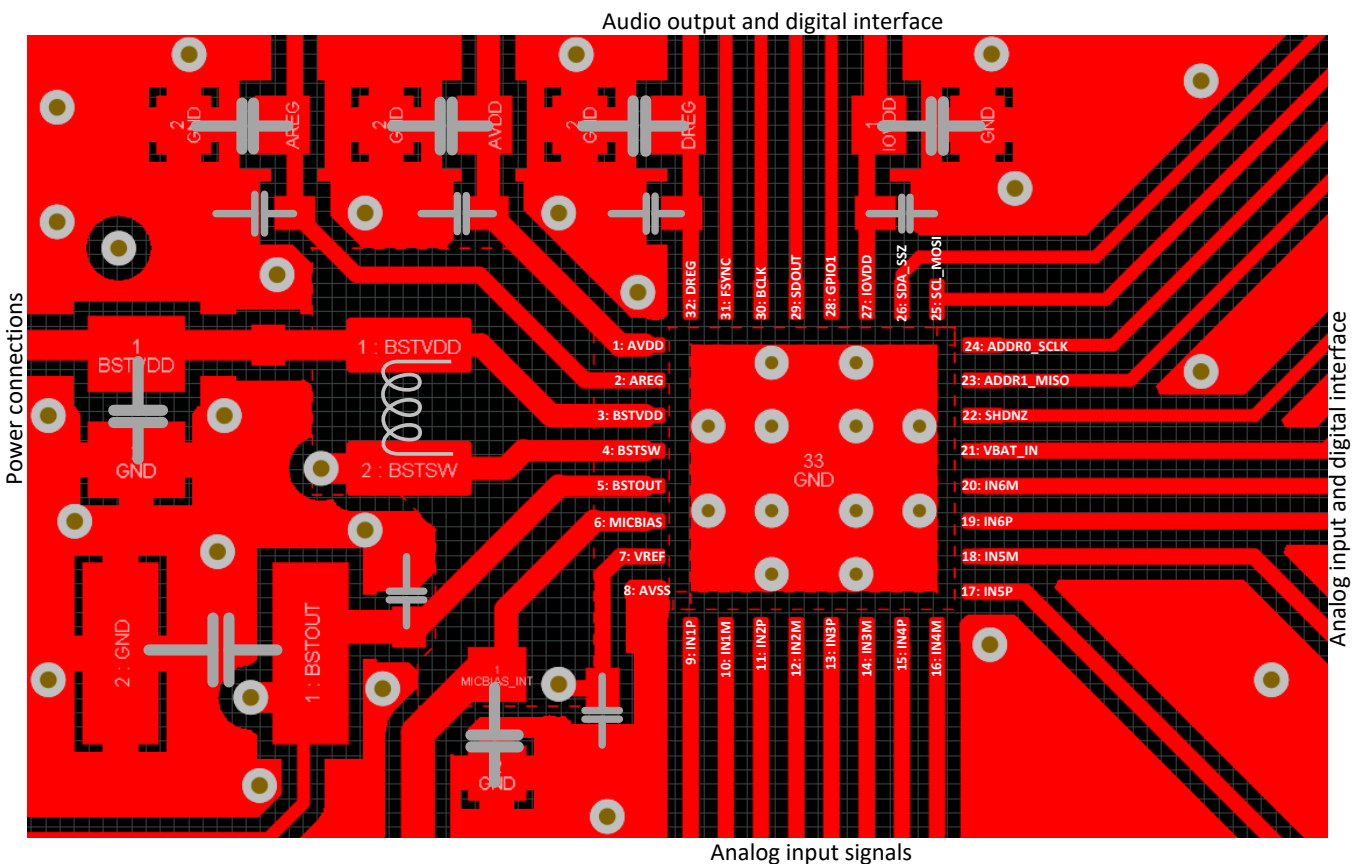


图 232. Layout Example of the PCM6260-Q1

Layout Examples (接下页)

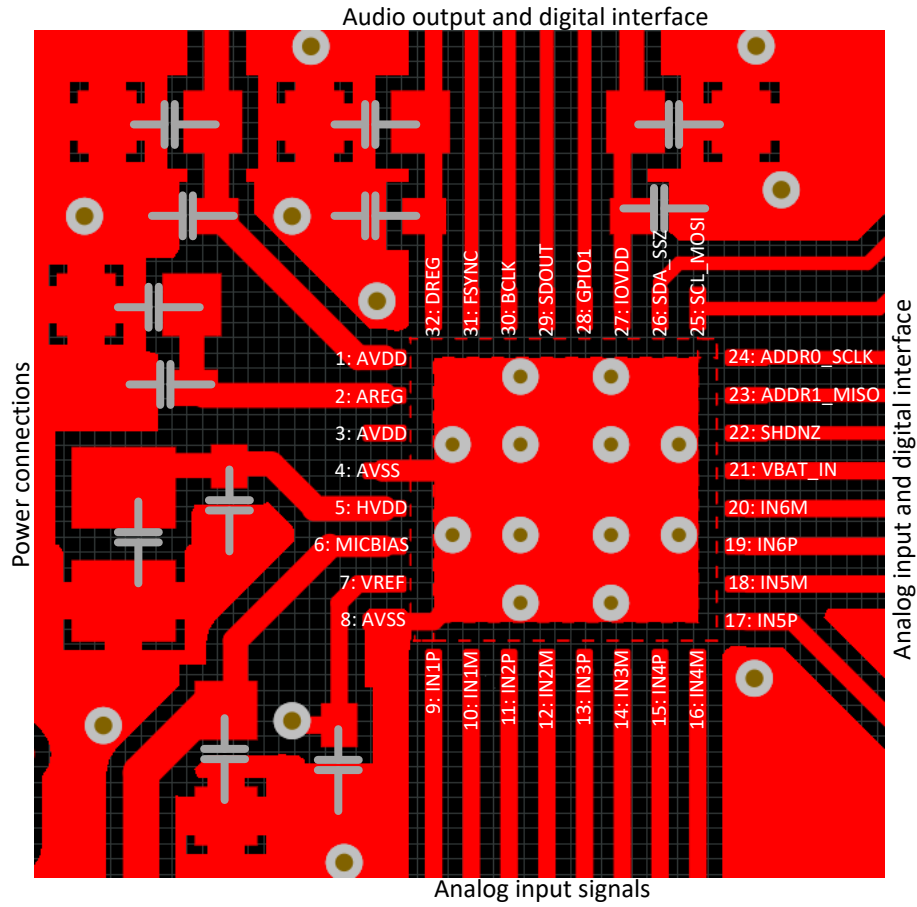


图 233. Layout Example of the PCM6360-Q1

12 器件和文档支持

12.1 器件支持

12.1.1 开发支持

[PurePath™ 控制台图形开发套件](#)

12.2 文档支持

12.2.1 相关文档

请参阅如下相关文档:

- 德州仪器 (TI), 《具有共享 TDM 和 I²C 总线的多个 PCM6xx0-Q1 器件》应用报告
- 德州仪器 (TI), 《PCM6xx0-Q1 可编程双二阶滤波器配置和应用》应用报告
- 德州仪器 (TI), 《配置和操作 PCM6xx0-Q1 作为音频总线主设备》应用报告
- 德州仪器 (TI), 《PCM6xx0-Q1 采样率和受支持的可编程处理块》应用报告
- 德州仪器 (TI), 《不同使用场景下的 PCM6xx0-Q1 功耗矩阵》应用报告
- 德州仪器 (TI), 《PCM6xx0-Q1 集成模拟抗混叠滤波器和灵活数字滤波器》应用报告
- 德州仪器 (TI), 《使用 PCM6xx0-Q1 中的自动增益控制器 (AGC)》应用报告
- 德州仪器 (TI), 《PCM6xx0-Q1 故障诊断、中断和保护 特性》应用报告
- 德州仪器 (TI), 《PCM6xx0-Q1 交流耦合外部电阻器计算器》
- 德州仪器 (TI), 《PCM6xx0-Q1 评估模块》用户指南
- 德州仪器 (TI), 《适用于音频系统设计和开发的 PurePath™ 控制台图形开发套件》开发套件

12.3 相关链接

下表列出了快速访问链接。类别包括技术文档、支持和社区资源、工具和软件，以及立即订购快速访问。

表 188. 相关链接

器件	产品文件夹	立即订购	技术文档	工具和软件	支持和社区
PCM6240-Q1	单击此处	单击此处	单击此处	单击此处	单击此处
PCM6260-Q1	单击此处	单击此处	单击此处	单击此处	单击此处
PCM6340-Q1	单击此处	单击此处	单击此处	单击此处	单击此处
PCM6360-Q1	单击此处	单击此处	单击此处	单击此处	单击此处

12.4 接收文档更新通知

要接收文档更新通知，请导航至 ti.com.cn 上的器件产品文件夹。单击右上角的通知我进行注册，即可每周接收产品信息更改摘要。有关更改的详细信息，请查看任何已修订文档中包含的修订历史记录。

12.5 社区资源

[TI E2E™ support forums](#) are an engineer's go-to source for fast, verified answers and design help — straight from the experts. Search existing answers or ask your own question to get the quick design help you need.

Linked content is provided "AS IS" by the respective contributors. They do not constitute TI specifications and do not necessarily reflect TI's views; see TI's [Terms of Use](#).

12.6 商标

PurePath, E2E are trademarks of Texas Instruments.
All other trademarks are the property of their respective owners.

12.7 静电放电警告



ESD 可能会损坏该集成电路。德州仪器 (TI) 建议通过适当的预防措施处理所有集成电路。如果不遵守正确的处理措施和安装程序，可能会损坏集成电路。

ESD 的损坏小至导致微小的性能降级，大至整个器件故障。精密的集成电路可能更容易受到损坏，这是因为非常细微的参数更改都可能会导致器件与其发布的规格不相符。

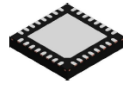
12.8 Glossary

[SLYZ022](#) — *TI Glossary*.

This glossary lists and explains terms, acronyms, and definitions.

13 机械、封装和可订购信息

以下页面包含机械、封装和可订购信息。这些信息是指定器件的最新可用数据。数据如有变更，恕不另行通知，且不会对此文档进行修订。如需获取此数据表的浏览器版本，请查阅左侧的导航栏。

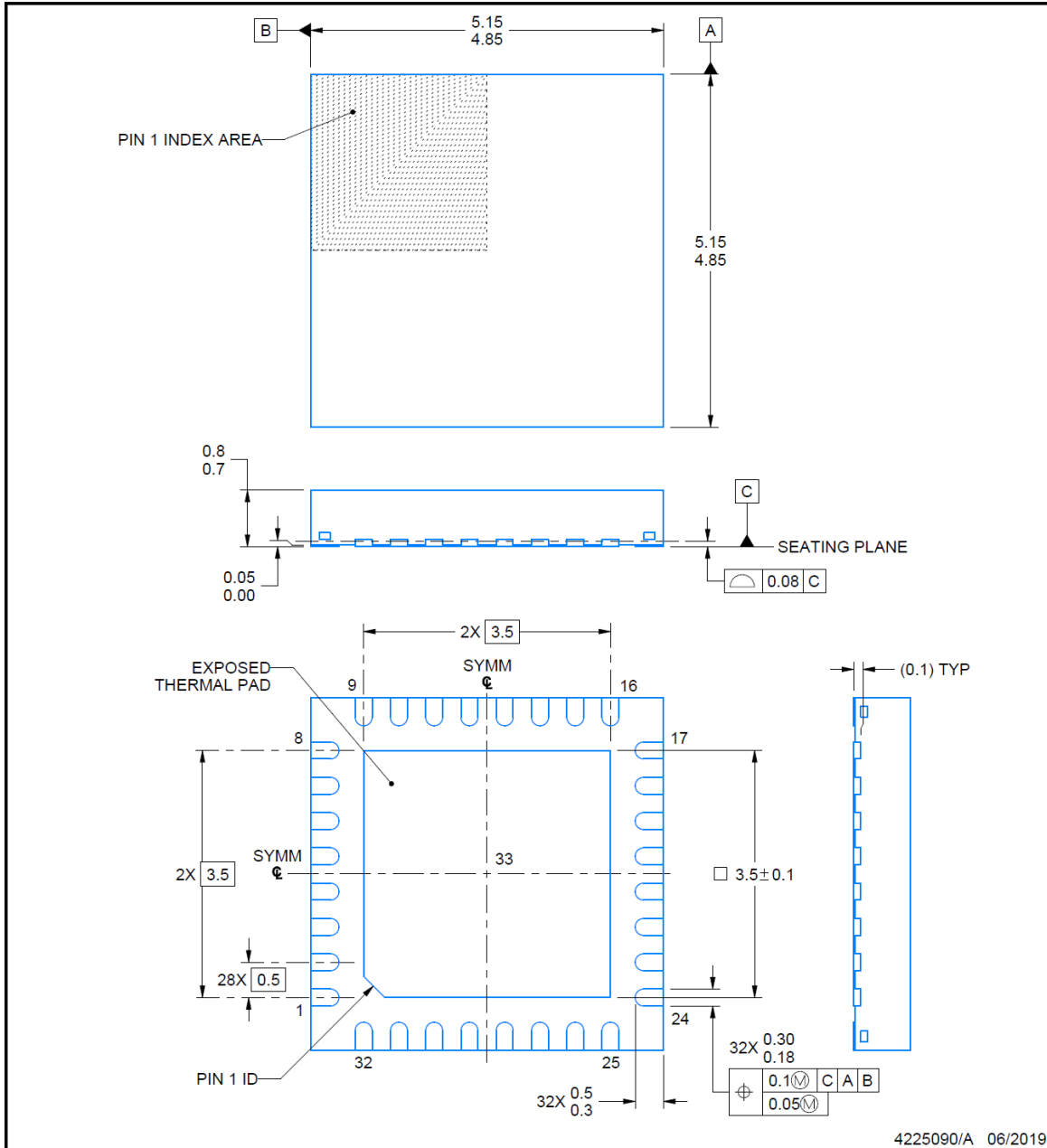


PACKAGE OUTLINE

RTV0032T

WQFN - 0.8 mm max height

PLASTIC QUAD FLATPACK - NO LEAD



NOTES:

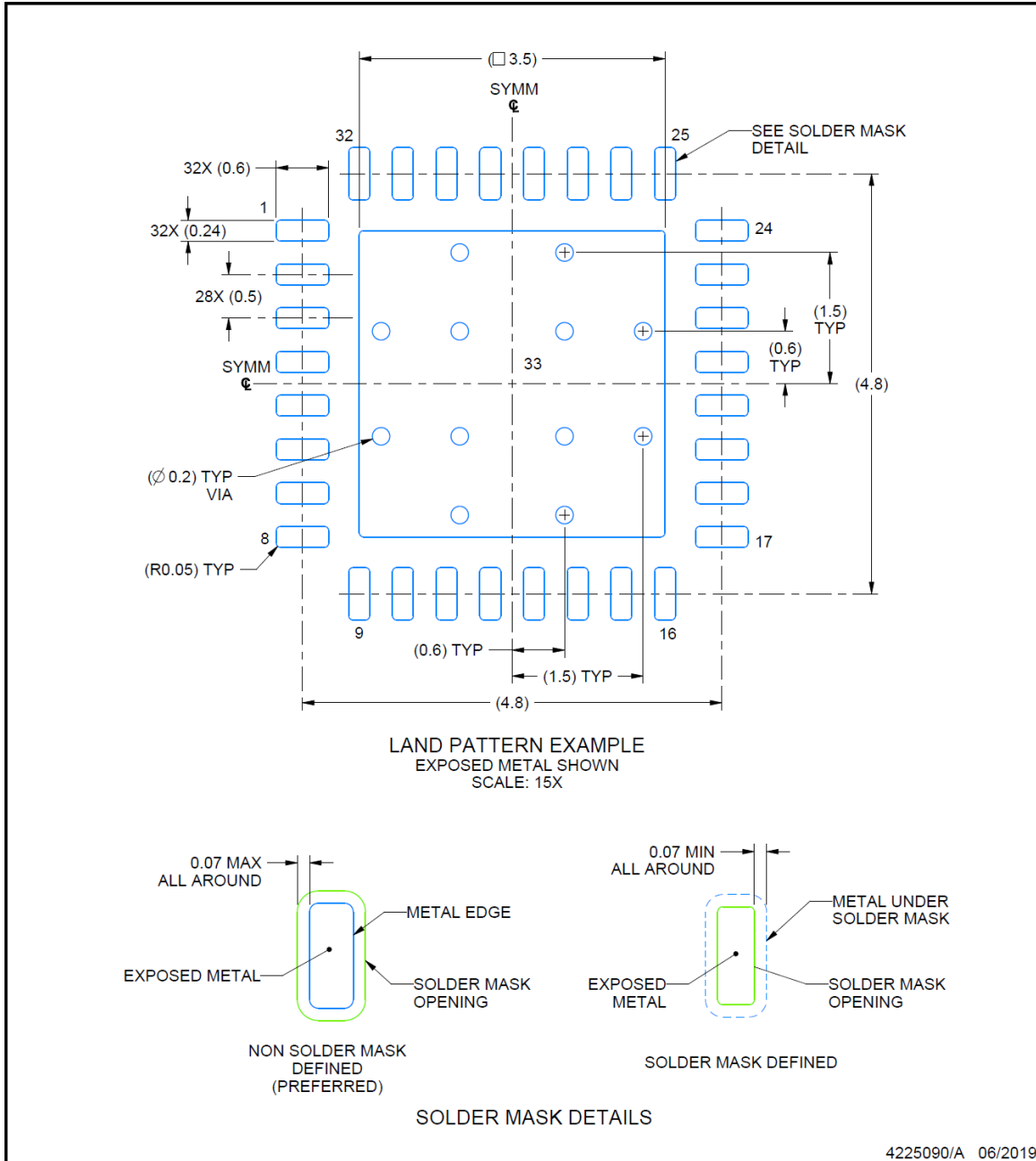
1. All linear dimensions are in millimeters. Any dimensions in parenthesis are for reference only. Dimensioning and tolerancing per ASME Y14.5M.
2. This drawing is subject to change without notice.
3. The package thermal pad must be soldered to the printed circuit board for thermal and mechanical performance.

EXAMPLE BOARD LAYOUT

RTV0032T

WQFN - 0.8 mm max height

PLASTIC QUAD FLATPACK - NO LEAD



NOTES: (continued)

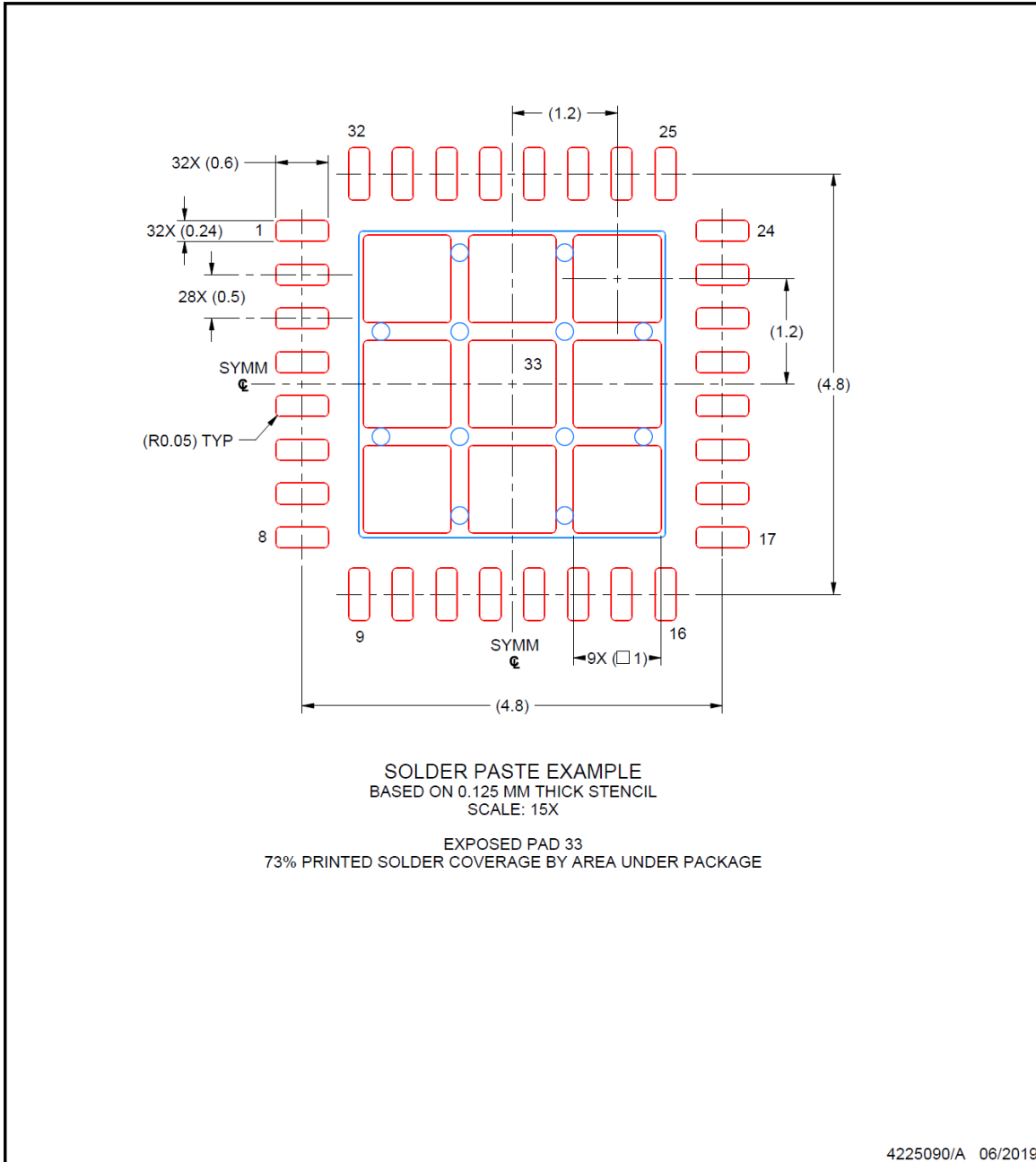
- This package is designed to be soldered to a thermal pad on the board. For more information, see Texas Instruments literature number SLUA271 (www.ti.com/lit/sluea271).
- Vias are optional depending on application, refer to device data sheet. If any vias are implemented, refer to their locations shown on this view. It is recommended that vias under paste be filled, plugged or tented.

EXAMPLE STENCIL DESIGN

RTV0032T

WQFN - 0.8 mm max height

PLASTIC QUAD FLATPACK - NO LEAD



NOTES: (continued)

- 6. Laser cutting apertures with trapezoidal walls and rounded corners may offer better paste release. IPC-7525 may have alternate design recommendations.

重要声明和免责声明

TI 均以“原样”提供技术性数据（包括数据表）、设计资源（包括参考设计）、应用或其他设计建议、网络工具、安全信息和其他资源，不保证其中不含任何瑕疵，且不做任何明示或暗示的担保，包括但不限于对适销性、适合某特定用途或不侵犯任何第三方知识产权的暗示担保。

所述资源可供专业开发人员应用TI 产品进行设计使用。您将对以下行为独自承担全部责任：(1) 针对您的应用选择合适的TI 产品；(2) 设计、验证并测试您的应用；(3) 确保您的应用满足相应标准以及任何其他安全、安保或其他要求。所述资源如有变更，恕不另行通知。TI 对您使用所述资源的授权仅限于开发资源所涉及TI 产品的相关应用。除此之外不得复制或展示所述资源，也不提供其它TI 或任何第三方的知识产权授权许可。如因使用所述资源而产生任何索赔、赔偿、成本、损失及债务等，TI 对此概不负责，并且您须赔偿由此对TI 及其代表造成的损害。

TI 所提供产品均受TI 的销售条款 (<http://www.ti.com.cn/zh-cn/legal/termsofsale.html>) 以及ti.com.cn上或随附TI产品提供的其他可适用条款的约束。TI提供所述资源并不扩展或以其他方式更改TI 针对TI 产品所发布的可适用的担保范围或担保免责声明。

邮寄地址：上海市浦东新区世纪大道 1568 号中建大厦 32 楼，邮政编码：200122
Copyright © 2020 德州仪器半导体技术（上海）有限公司

PACKAGING INFORMATION

Orderable Device	Status (1)	Package Type	Package Drawing	Pins	Package Qty	Eco Plan (2)	Lead finish/ Ball material (6)	MSL Peak Temp (3)	Op Temp (°C)	Device Marking (4/5)	Samples
PCM6240QRTVRQ1	ACTIVE	WQFN	RTV	32	3000	RoHS & Green	NIPDAU	Level-2-260C-1 YEAR	-40 to 125	PCM6240	Samples
PCM6260QRTVRQ1	ACTIVE	WQFN	RTV	32	3000	RoHS & Green	NIPDAU	Level-2-260C-1 YEAR	-40 to 125	PCM6260	Samples
PCM6340QRTVRQ1	ACTIVE	WQFN	RTV	32	3000	RoHS & Green	NIPDAU	Level-2-260C-1 YEAR	-40 to 125	PCM6340	Samples
PCM6360QRTVRQ1	ACTIVE	WQFN	RTV	32	3000	RoHS & Green	NIPDAU	Level-2-260C-1 YEAR	-40 to 125	PCM6360	Samples

(1) The marketing status values are defined as follows:

ACTIVE: Product device recommended for new designs.

LIFEBUY: TI has announced that the device will be discontinued, and a lifetime-buy period is in effect.

NRND: Not recommended for new designs. Device is in production to support existing customers, but TI does not recommend using this part in a new design.

PREVIEW: Device has been announced but is not in production. Samples may or may not be available.

OBSOLETE: TI has discontinued the production of the device.

(2) **RoHS:** TI defines "RoHS" to mean semiconductor products that are compliant with the current EU RoHS requirements for all 10 RoHS substances, including the requirement that RoHS substance do not exceed 0.1% by weight in homogeneous materials. Where designed to be soldered at high temperatures, "RoHS" products are suitable for use in specified lead-free processes. TI may reference these types of products as "Pb-Free".

RoHS Exempt: TI defines "RoHS Exempt" to mean products that contain lead but are compliant with EU RoHS pursuant to a specific EU RoHS exemption.

Green: TI defines "Green" to mean the content of Chlorine (Cl) and Bromine (Br) based flame retardants meet JS709B low halogen requirements of <=1000ppm threshold. Antimony trioxide based flame retardants must also meet the <=1000ppm threshold requirement.

(3) MSL, Peak Temp. - The Moisture Sensitivity Level rating according to the JEDEC industry standard classifications, and peak solder temperature.

(4) There may be additional marking, which relates to the logo, the lot trace code information, or the environmental category on the device.

(5) Multiple Device Markings will be inside parentheses. Only one Device Marking contained in parentheses and separated by a "-" will appear on a device. If a line is indented then it is a continuation of the previous line and the two combined represent the entire Device Marking for that device.

(6) Lead finish/Ball material - Orderable Devices may have multiple material finish options. Finish options are separated by a vertical ruled line. Lead finish/Ball material values may wrap to two lines if the finish value exceeds the maximum column width.

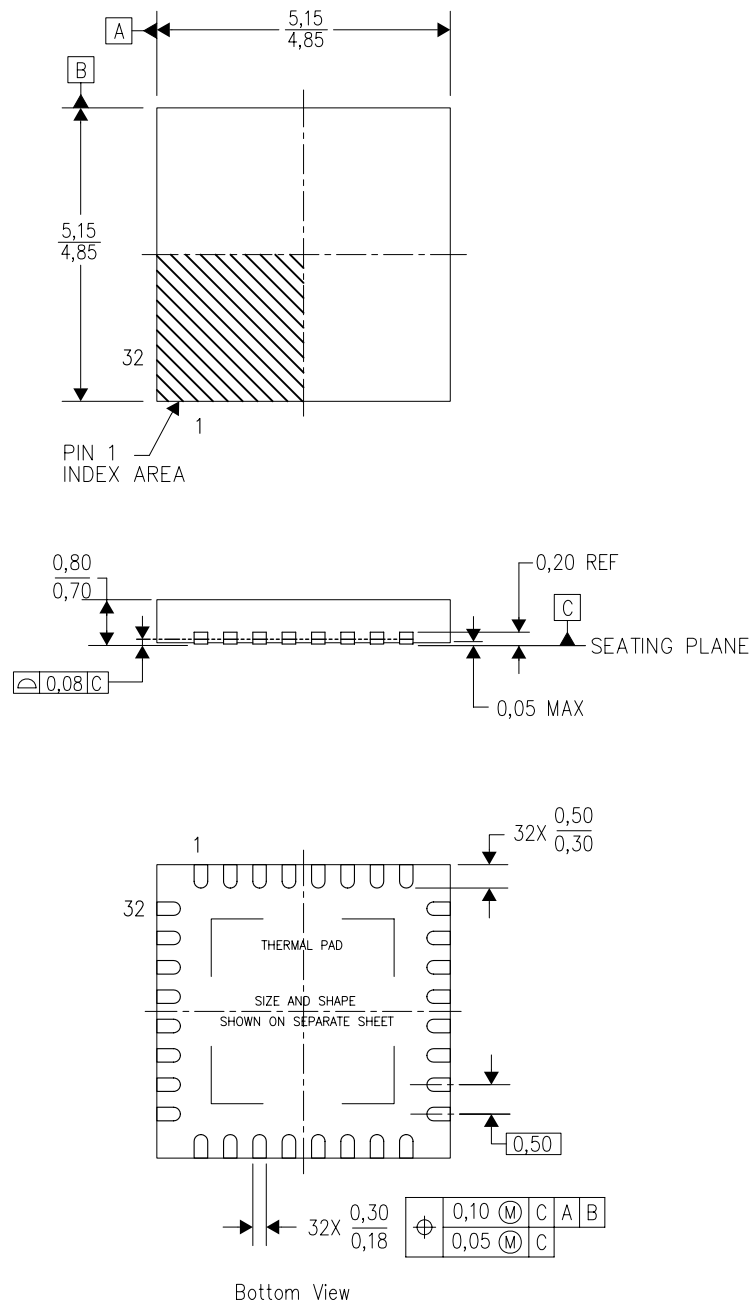
Important Information and Disclaimer:The information provided on this page represents TI's knowledge and belief as of the date that it is provided. TI bases its knowledge and belief on information provided by third parties, and makes no representation or warranty as to the accuracy of such information. Efforts are underway to better integrate information from third parties. TI has taken and

continues to take reasonable steps to provide representative and accurate information but may not have conducted destructive testing or chemical analysis on incoming materials and chemicals. TI and TI suppliers consider certain information to be proprietary, and thus CAS numbers and other limited information may not be available for release.

In no event shall TI's liability arising out of such information exceed the total purchase price of the TI part(s) at issue in this document sold by TI to Customer on an annual basis.

RTV (S-PWQFN-N32)

PLASTIC QUAD FLATPACK NO-LEAD



4206245/C 10/11

- NOTES:
- All linear dimensions are in millimeters. Dimensioning and tolerancing per ASME Y14.5-1994.
 - This drawing is subject to change without notice.
 - Quad Flatpack, No-Leads (QFN) package configuration.
 - The package thermal pad must be soldered to the board for thermal and mechanical performance.
 - See the additional figure in the Product Data Sheet for details regarding the exposed thermal pad features and dimensions.
 - Falls within JEDEC MO-220.

重要声明和免责声明

TI 均以“原样”提供技术性 & 可靠性数据（包括数据表）、设计资源（包括参考设计）、应用或其他设计建议、网络工具、安全信息和其他资源，不保证其中不含任何瑕疵，且不做任何明示或暗示的担保，包括但不限于对适销性、适合某特定用途或不侵犯任何第三方知识产权的暗示担保。

所述资源可供专业开发人员应用 TI 产品进行设计使用。您将对以下行为独自承担全部责任：(1) 针对您的应用选择合适的 TI 产品；(2) 设计、验证并测试您的应用；(3) 确保您的应用满足相应标准以及任何其他安全、安保或其他要求。所述资源如有变更，恕不另行通知。TI 对您使用所述资源的授权仅限于开发资源所涉及 TI 产品的相关应用。除此之外不得复制或展示所述资源，也不提供其它 TI 或任何第三方的知识产权授权许可。如因使用所述资源而产生任何索赔、赔偿、成本、损失及债务等，TI 对此概不负责，并且您须赔偿由此对 TI 及其代表造成的损害。

TI 所提供产品均受 TI 的销售条款 (<http://www.ti.com.cn/zh-cn/legal/termsofsale.html>) 以及 [ti.com.cn](http://www.ti.com.cn) 上或随附 TI 产品提供的其他可适用条款的约束。TI 提供所述资源并不扩展或以其他方式更改 TI 针对 TI 产品所发布的可适用的担保范围或担保免责声明。

邮寄地址：上海市浦东新区世纪大道 1568 号中建大厦 32 楼，邮政编码：200122

Copyright © 2020 德州仪器半导体技术（上海）有限公司

X-ON Electronics

Largest Supplier of Electrical and Electronic Components

Click to view similar products for [Audio A/D Converter ICs](#) category:

Click to view products by [Texas Instruments](#) manufacturer:

Other Similar products are found below :

[PCM6260QRTVRQ1](#) [TLV320ADC6140IRTWR](#) [CS5368-CQZR](#) [WM8782SEDS/RV](#) [ADAU1977WBCPZ](#) [ADAU1978WBCPZ](#)
[ADAU1978WBCPZ-RL](#) [AK5578EN](#) [AK5558VN](#) [AK5538VN](#) [AK5704EN](#) [WM8950CGEFL/V](#) [CS5340-CZZ](#) [CS5341-CZZ](#) [CS5343-CZZ](#)
[CS5343-CZZR](#) [CS5344-CZZ](#) [CS5346-CQZ](#) [CS5351-DZZ](#) [CS5351-KZZ](#) [CS5361-KSZ](#) [CS5361-KZZ](#) [CS5364-CQZ](#) [CS5368-CQZ](#) [CS5381-](#)
[KSZ](#) [CS5381-KZZ](#) [CS5394-KS](#) [AK5720VT](#) [PCM1862QDBTRQ1](#) [CS53L21-CNZ](#) [AK5522VN](#) [AK5572EN](#) [AK5554VN](#) [AK5552VN](#)
[AK5534VN](#) [6PADC3101TRGERQ1](#) [TLV320ADC6140IRTWT](#) [TLV320ADC3140IRTWR](#) [TLV320ADC5140IRTWT](#)
[TLV320ADC5140IRTWR](#) [PCM6240QRTVRQ1](#) [PCM1800E](#) [PCM1802DB](#) [PCM1802DBR](#) [PCM1803ADB](#) [PCM1803ADBG4](#)
[PCM1803ADBR](#) [PCM1804DB](#) [PCM1804DBG4](#) [PCM1804DBR](#)