

TLIN1028-Q1 汽车 LIN 125mA 系统基础芯片 (SBC)

1 特性

- AEC-Q100 (1 级) : 符合汽车应用要求
- 符合本地互连网络 (LIN) 物理层规范 ISO/DIS 17987-4, 并符合适用于 LIN 的 SAE J2602 推荐实践要求
- 提供功能安全
 - 有助于进行功能安全系统设计的文档
- 支持 12V 应用
- 宽工作范围
 - $\pm 58V$ LIN 总线故障保护
 - 支持 3.3V 或 5V 的 LDO 输出
 - 睡眠模式: 超低电流消耗
允许以下类型的唤醒事件:
 - LIN 总线或通过 EN 引脚的本地唤醒
 - 上电和断电无干扰运行
- 保护特性:
 - ESD 保护、 V_{SUP} 欠压保护
 - TXD 显性超时 (DTO) 保护、热关断
 - 系统级未供电节点或接地断开失效防护
- V_{CC} 电源高达 125mA, 采用 DRB 和 DDA 封装
- 采用 SOIC (8) 和 HSOIC (8) 封装以及无引线 VSON (8) 封装, 具有改善的自动光学检测 (AOI) 功能

2 应用

- 车身电子装置和照明
- 混合动力、电动和动力总成系统
- 汽车信息娱乐系统和仪表组
- 电器

3 说明

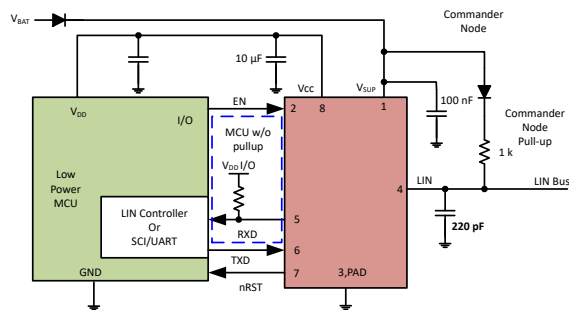
TLIN1028-Q1 是一款本地互连网络 (LIN) 物理层收发器, 符合 LIN 2.2AISO/DIS 17987 - 4 标准, 具有集成的低压降 (LDO) 稳压器。

此 LIN 系统基础芯片 (SBC) 通过为功率微处理器、传感器或其他器件提供电流高达 70mA (D) 或 125mA (DRB 和 DDA) 的 3.3V 或 5V 电压轨, 来降低系统的复杂性。TLIN1028-Q1 具有经过优化的限流波形整形驱动器, 可降低电磁辐射 (EME)。TLIN1028-Q1 将 TXD 输入上的 LIN 协议数据流转化为 LIN 总线信号。接收器将数据流转化为逻辑电平信号, 此信号通过开漏 RXD 引脚发送到微处理器。

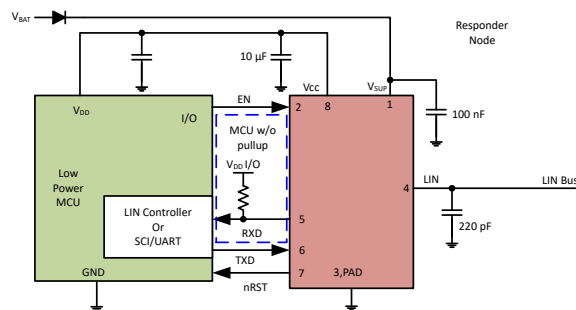
器件信息

器件型号	封装 ⁽¹⁾	封装尺寸 (标称值)
TLIN1028D-Q1	SOIC (8)	4.90mm x 3.91mm
TLIN1028DDA-Q1	HSOIC (8)	4.90mm x 3.91mm
TLIN1028DRB-Q1	VSON (8)	3.00mm x 3.00mm

(1) 如需了解所有可用封装, 请参阅数据表末尾的可订购产品附录。



简化版原理图, 指挥官节点⁽¹⁾



简化版原理图, 响应者节点⁽²⁾



Table of Contents

1 特性	1	9.2 Functional Block Diagram.....	21
2 应用	1	9.3 Feature Description.....	21
3 说明	1	9.4 Device Functional Modes.....	25
4 Revision History	2	10 Application and Implementation	29
5 说明 (续)	3	10.1 Application Information.....	29
6 Pin Configuration and Functions	3	10.2 Typical Application.....	29
7 Specifications	4	11 Power Supply Recommendations	34
7.1 Absolute Maximum Ratings.....	4	12 Layout	35
7.2 ESD Ratings.....	4	12.1 Layout Guidelines.....	35
7.3 ESD Ratings, IEC Specification.....	4	12.2 Layout Example.....	36
7.4 Recommended Operating Conditions.....	5	13 Device and Documentation Support	37
7.5 Thermal Information.....	5	13.1 Documentation Support.....	37
7.6 Power Supply Characteristics.....	5	13.2 Related Links.....	37
7.7 Electrical Characteristics.....	6	13.3 接收文档更新通知.....	37
7.8 AC Switching Characteristics.....	8	13.4 支持资源.....	37
7.9 Typical Characteristics.....	10	13.5 Trademarks.....	37
8 Parameter Measurement Information	12	13.6 Electrostatic Discharge Caution.....	38
8.1 Test Circuit: Diagrams and Waveforms.....	12	13.7 术语表.....	38
9 Detailed Description	21	14 Mechanical, Packaging, and Orderable Information	38
9.1 Overview.....	21		

4 Revision History

注：以前版本的页码可能与当前版本的页码不同

Changes from Revision A (July 2020) to Revision B (June 2022)	Page
• 将提到的所有旧术语实例更改为“指挥官”和“响应者”。.....	1
• Changed <i>nRST is only dependent.</i> statement to: <i>nRST is dependent</i> in the nRST (Reset Output) section... ..	23
• Changed nRST: Float to nRST: GND in the sleep mode section of 图 9-5	25

Changes from Revision * (August 2019) to Revision A (July 2020)	Page
• 将文档状态从 预告信息 更改为 量产数据	1
• 添加了 特性 ：提供功能安全.....	1

5 说明 (续)

休眠模式可实现超低电流消耗，该模式允许通过 LIN 总线或 EN 引脚实现唤醒。LIN 总线有两种状态：显性状态（电压接近接地）和隐性状态（电压接近电池）。在受支配状态下，LIN 总线被内部上拉电阻器 (45kΩ) 和串联二极管拉高，所以响应者节点应用无需外部上拉组件。按照 LIN 规范，指挥官节点应用需要一个外部上拉电阻器 (1kΩ) 加上一个串联二极管。

6 Pin Configuration and Functions

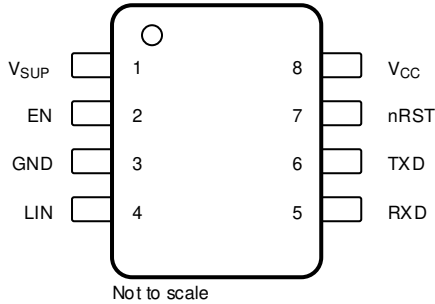


图 6-1. D Package, 8-Pin (SOIC), Top View

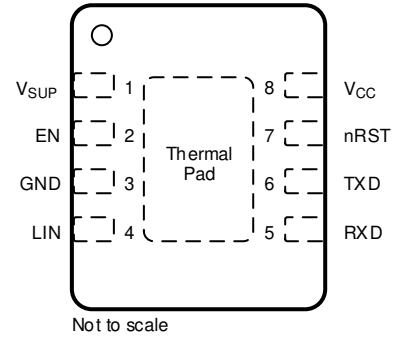


图 6-2. DRB Package, 8-Pin (VSON), Top View

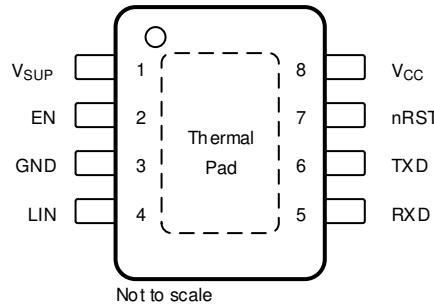


图 6-3. DDA Package, 8-Pin (HSOIC), Top View

表 6-1. Pin Functions

PIN		TYPE ⁽¹⁾	DESCRIPTION
NO.	NAME		
1	V _{SUP}	HV Supply In	Device supply voltage (connected to battery in series with external reverse-blocking diode)
2	EN	D I	Enable input
3	GND	GND	Ground ⁽²⁾ ⁽³⁾
4	LIN	HV I/O	LIN bus single-wire transmitter and receiver
5	RXD	D O	RXD output (open-drain) interface reporting state of LIN bus voltage
6	TXD	D I	TXD input interface to control state of LIN output
7	nRST	D O	Reset output (active low)
8	V _{CC}	Supply Out	Output voltage from integrated LDO

(1) HV - High Voltage, DI - Digital Input, DO - Digital Output, HV I/O - High Voltage Input/Output

(2) When the thermal pad is present, it must be soldered to ground plane.

(3) If the DDA package is placed onto a D package footprint without the thermal pad soldered down, expect the performance to match the D package and not the DDA package.

7 Specifications

7.1 Absolute Maximum Ratings

(1)

		MIN	MAX	UNIT
V_{SUP}	Supply voltage range	- 0.3	42	V
V_{LIN}	LIN Bus input voltage	- 58	58	V
V_{CC50}	Regulated 5 V Output Supply	- 0.3	6	V
V_{CC33}	Regulated 3.3 V Output Supply	- 0.3	4.5	V
V_{nRST}	Reset output voltage	- 0.3	$V_{CC} + 0.3$	V
V_{LOGIC_INPUT}	Logic input voltage	- 0.3	6	V
V_{LOGIC_OUTPUT}	Logic output voltage	- 0.3	6	V
I_{VCC}	V_{CC} supply current ⁽²⁾		300	mA
I_O	Digital pin output current	- 8	8	mA
$I_{O(nRST_RXD)}$	Reset and RXD open-drain output current	- 5	5	mA
T_J	Junction temperature	- 40	165	°C
T_{stg}	Storage temperature range	- 65	150	°C

- (1) Stresses beyond those listed under *Absolute Maximum Ratings* may cause permanent damage to the device. These are stress ratings only, which do not imply functional operation of the device at these or any other conditions beyond those indicated under *Recommended Operating Conditions*. Exposure to absolute-maximum-rated conditions for extended periods may affect device reliability.
- (2) Device will enter thermal shutdown prior to hitting this limit. If the limit is reached the device may sustain permanent damage.

7.2 ESD Ratings

			VALUE	UNIT
$V_{(ESD)}$	Electrostatic discharge	Human body model (HBM) classification level H2: V_{SUP} , LIN, and WAKE with respect to ground	±8000	V
		Human body model (HBM) classification level 3A: all other pins, per AEC Q100-002 ⁽¹⁾	±4000	
		Charged device model (CDM) classification level C5, per AEC Q100-011	All pins	

- (1) AEC Q100-002 indicates that HBM stressing shall be in accordance with the ANSI/ESDA/JEDEC JS-001 specification.

7.3 ESD Ratings, IEC Specification

			VALUE	UNIT
$V_{(ESD)}$	Electrostatic discharge per IEC 62228-2 ⁽¹⁾ , LIN, V_{SUP} terminal to GND	Contact discharge	±15000	V
		Indirect ESD discharge	±15000	V
$V_{(ESD)}$	Powered electrostatic discharge per SAE J2962-1 ⁽³⁾	Contact discharge	±8000	V
		Air discharge	±25000	
Transient	ISO 7637-2 and IEC 62215-3 transients per IEC 62228-1 ⁽²⁾	Pulse 1	-100	V
		Pulse 2a	75	
		Pulse 3a	-150	
		Pulse 3b	100	
Transient	ISO 7637 slow transients pulse	Per SAE J2962-1 ⁽⁴⁾	30	V

- (1) IEC 62228-2 ESD testing performed at third party. Different system-level configurations may lead to different results.
- (2) ISO 7637 is a system-level transient test. Different system-level configurations may lead to different results.
- (3) SAE J2962-1 Testing performed at third party US3 approved EMC test facility.
- (4) ISO 7637 is a system-level transient test. Results given here are specific to the SAE J2962-1 Test specification conditions. Different system-level configurations may lead to different results.

7.4 Recommended Operating Conditions

		MIN	NOM	MAX	UNIT
V _{SUP}	Supply voltage	5.5		28	V
V _{LIN}	LIN bus input voltage	0		28	V
V _{LOGIC5}	Logic pin voltage	0		5.25	V
V _{LOGIC33}	Logic pin voltage	0		3.465	V
I _{OH(DO)}	Digital terminal HIGH level output current	-2			mA
I _{OL(DO)}	Digital terminal LOW level output current			2	mA
C _(VSUP)	V _{SUP} supply capacitance	100			nF
C _(VCC)	V _{CC} supply capacitance; 20 μA to full load	1.5			μF
C _(VCC)	V _{CC} supply capacitance; no load to full load	10			μF
ESR _{CO}	Output ESR requirements	0.001		2	Ω

7.5 Thermal Information

THERMAL METRIC ⁽¹⁾		TLIN1028			UNIT
		D	DRB	DDA	
		8 PINS	8 PINS	8 PINS	
R _{θJA}	Junction-to-ambient thermal resistance	119.4	45.7	40.9	°C/W
R _{θJC(top)}	Junction-to-case (top) thermal resistance	51.5	49.2	60.5	°C/W
R _{θJB}	Junction-to-board thermal resistance	64.9	18.9	15.6	°C/W
ψ _{JT}	Junction-to-top characterization parameter	9.6	0.7	4.0	°C/W
ψ _{JB}	Junction-to-board characterization parameter	63.7	18.8	15.8	°C/W
R _{θJC(bot)}	Junction-to-case (bottom) thermal resistance	n/a	2.7	4.6	°C/W

- (1) For more information about traditional and new thermal metrics, see the [Semiconductor and IC Package Thermal Metrics](#) application report.

7.6 Power Supply Characteristics

parameters valid over -40°C ≤ T_J ≤ 150°C range (unless otherwise noted)

PARAMETER		TEST CONDITIONS	MIN	TYP	MAX	UNIT
SUPPLY VOLTAGE AND CURRENT						
V _{SUP}	Operational supply voltage (ISO/DIS 17987 Param 10) ⁽²⁾	Device is operational beyond the LIN defined nominal supply voltage range. See 图 8-1 and 图 8-2	5.5		36	V
V _{SUP}	Nominal supply voltage (ISO/DIS 17987 Param 10) ⁽²⁾	Normal and Standby Modes: Ramp VSUP while LIN signal is a 10 kHz square wave with 50 % duty cycle and swing between 5.5 V ≤ V _{LIN} ≤ 28 V. See 图 8-1 and 图 8-2	5.5		28	V
		Sleep Mode	5.5		28	V
UV _{SUPR}	Under voltage V _{SUP} threshold	Ramp Up		3.5	4.2	V
UV _{SUPF}	Under voltage V _{SUP} threshold	Ramp Down	1.8	2.1	2.7	V
U _{VHYS}	Delta hysteresis voltage for V _{SUP} under voltage threshold			1.5		V
I _{SUP}	Transceiver and LDO supply current (D Package)	Transceiver normal mode dominant plus LDO output			80	mA
I _{SUP}	Transceiver and LDO supply current (DRB and DDA Packages)	Transceiver normal mode dominant plus LDO output			135	mA
I _{SUPTRXDOM}	Supply current transceiver only	Normal Mode: EN = V _{CC} , bus dominant: total bus load where R _{LIN} ≥ 500 Ω and C _{LIN} ≤ 10 nF		1.2	5	mA
		Standby Mode: EN = 0 V, bus dominant: total bus load where R _{LIN} ≥ 500 Ω and C _{LIN} ≤ 10 nF		1	2.1	mA

7.6 Power Supply Characteristics (continued)

parameters valid over $-40^{\circ}\text{C} \leq T_J \leq 150^{\circ}\text{C}$ range (unless otherwise noted)

PARAMETER		TEST CONDITIONS	MIN	TYP	MAX	UNIT
$I_{\text{SUPTRXREC}}$	Supply current transceiver only ⁽³⁾	Normal Mode: $\text{EN} = V_{\text{CC}}$, Bus recessive: $\text{LIN} = V_{\text{SUP}}$,		450	775	μA
		Standby Mode: $\text{EN} = 0\text{ V}$, $\text{LIN} = \text{recessive} = V_{\text{SUP}}$, I_{OH} from processor $\leq 1\ \mu\text{A}$		38	55	μA
		Added Standby Mode current through the RXD pull-up resistor with a value of 100 k Ω : $\text{EN} = 0\text{ V}$, $\text{LIN} = \text{recessive} = V_{\text{SUP}}$, $\text{RXD} = \text{GND}$ ⁽¹⁾			55	
$I_{\text{SUPTRXSLEP}}$	Sleep mode supply current transceiver only	$5.5\text{ V} < V_{\text{SUP}} \leq 28\text{ V}$, $\text{LIN} = V_{\text{SUP}}$, $\text{EN} = 0\text{ V}$, TXD and RXD floating		17	33	μA
REGULATED OUTPUT V_{CC}						
V_{CC}	Regulated output (D package)	$V_{\text{SUP}} = 5.5\text{ to }28\text{ V}$, $I_{\text{CC}} = 1\text{ to }70\text{ mA}$	-2		2	%
V_{CC}	Regulated output (DRB and DDA package)	$V_{\text{SUP}} = 5.5\text{ to }28\text{ V}$, $I_{\text{CC}} = 1\text{ to }125\text{ mA}$	-2		2	%
$\Delta V_{\text{CC}}(\Delta V_{\text{SUP}})$	Line regulation	$V_{\text{SUP}} = 5.5\text{ to }28\text{ V}$, ΔV_{CC} , $I_{\text{CC}} = 10\text{ mA}$			50	mV
$\Delta V_{\text{CC}}(\Delta V_{\text{SUP}})$	Load regulation (DRB and DDA package)	$I_{\text{CC}} = 1\text{ to }125\text{ mA}$, $V_{\text{SUP}} = 14\text{ V}$, ΔV_{CC}			50	mV
$\Delta V_{\text{CC}}(\Delta V_{\text{SUP}})$	Load regulation (D package)	$I_{\text{CC}} = 1\text{ to }70\text{ mA}$, $V_{\text{SUP}} = 14\text{ V}$, ΔV_{CC}			50	mV
V_{DROP}	Dropout voltage (5 V LDO) (DRB and DDA package)	$V_{\text{SUP}} - V_{\text{CC}}$, $I_{\text{CC}} = 125\text{ mA}$;		300	600	mV
V_{DROP}	Dropout voltage (5 V LDO) (D package)	$V_{\text{SUP}} - V_{\text{CC}}$, $I_{\text{CC}} = 70\text{ mA}$;		300	600	mV
V_{DROP}	Dropout voltage (3.3 V LDO) (DRB and DDA package)	$V_{\text{SUP}} - V_{\text{CC}}$, $I_{\text{CC}} = 125\text{ mA}$;		350	700	mV
V_{DROP}	Dropout voltage (3.3 V LDO) (D package)	$V_{\text{SUP}} - V_{\text{CC}}$, $I_{\text{CC}} = 70\text{ mA}$;		350	700	mV
UV_{CC5R}	Under voltage 5 V V_{CC} threshold	Ramp Up		4.7	4.86	V
UV_{CC5F}	Under voltage 5 V V_{CC} threshold	Ramp Down	4.2	4.45		V
UV_{CC33R}	Under voltage 3.3 V V_{CC} threshold ⁽³⁾	Ramp Up		2.9	3.1	V
UV_{CC33F}	Under voltage 3.3 V V_{CC} threshold ⁽³⁾	Ramp Down	2.5	2.75		V
$t_{\text{DET}}(UV_{\text{CC}})$	V_{CC} undervoltage deglitch time. An UV_{CC} event will not be recognized unless the duration is longer than this. ⁽³⁾	$C_{\text{nRST}} = 20\text{ pF}$	1		15	μs
I_{CCOUT}	Output current (D Package)	V_{CC} in regulation with 12 V V_{SUP}	0		70	mA
I_{CCOUT}	Output current (DRB and DDA package)	V_{CC} in regulation with 12 V V_{SUP}	0		125	mA
I_{CCOUTL}	Output current limit	V_{CC} short to ground			275	mA
PSRR	Power supply rejection ratio ⁽³⁾	$V_{\text{RIP}} = 0.5\text{ V}_{\text{PP}}$, Load = 10 mA, $f = 100\text{ Hz}$, $\text{CO} = 10\ \mu\text{F}$		60		dB
T_{SDR}	Thermal shutdown temperature	Internal junction temperature - rising	165			$^{\circ}\text{C}$
T_{SDF}	Thermal shutdown temperature	Internal junction temperature - falling			150	$^{\circ}\text{C}$
T_{SDHYS}	Thermal shutdown hysteresis			10		$^{\circ}\text{C}$

- (1) RXD pin is an open-drain output. In standby mode RXD is pulled low which has the device pulling current through V_{SUP} through the pull-up resistor to V_{CC} . The value of the pull-up resistor impacts the standby mode current. A 10 k Ω resistor value can add as much as 500 μA of current.
- (2) Operational supply voltage and nominal supply voltage are in relationship to the LIN transceiver. A V_{SUP} above 28 V means the device will function but may not meet the rest of the parametric data while the nominal range means the device will meet the parametric data minus any differences provided in the test conditions.
- (3) Specified by design

7.7 Electrical Characteristics

parameters valid over $-40^{\circ}\text{C} \leq T_J \leq 150^{\circ}\text{C}$ range (unless otherwise noted)

PARAMETER		TEST CONDITIONS	MIN	TYP	MAX	UNIT
RXD OUTPUT TERMINAL (OPEN-DRAIN)						
V_{OL}	Output low voltage	Based upon a 2 k Ω to 10 k Ω external pull-up to V_{CC}			0.2	V_{CC}
I_{OL}	Low-level output current, open-drain	$\text{LIN} = 0\text{ V}$, $\text{RXD} = 0.4\text{ V}$	1.5			mA

7.7 Electrical Characteristics (continued)

 parameters valid over $-40^{\circ}\text{C} \leq T_J \leq 150^{\circ}\text{C}$ range (unless otherwise noted)

PARAMETER		TEST CONDITIONS	MIN	TYP	MAX	UNIT
I_{LKG}	Leakage current, high-level	LIN = V_{SUP} , RXD = V_{CC}	- 5	0	5	μA
TXD INPUT TERMINAL						
V_{IL}	Low-level input voltage		- 0.3		0.8	V
V_{IH}	High-level input voltage		2		5.5	V
I_{IH}	High-level input leakage current	TXD = high	- 5	0	5	μA
R_{TXD}	Internal pull-up resistor value		125	350	800	$\text{k}\Omega$
LIN TERMINAL (REFERENCED TO V_{SUP})						
V_{OH}	High-level output voltage ⁽¹⁾	LIN recessive, TXD = high, $I_O = 0\text{ mA}$, $V_{SUP} = 5.5\text{ V to }36\text{ V}$	0.85			V_{SUP}
V_{OL}	Low-level output voltage ⁽¹⁾	LIN dominant, TXD = low, $V_{SUP} = 5.5\text{ V to }36\text{ V}$			0.2	V_{SUP}
V_{IH}	High-level input voltage ⁽¹⁾	LIN recessive, TXD = high, $I_O = 0\text{ mA}$, $V_{SUP} = 5.5\text{ V to }36\text{ V}$	0.47		0.6	V_{SUP}
V_{IL}	Low-level input voltage ⁽¹⁾	LIN dominant, TXD = low, $V_{SUP} = 5.5\text{ V to }36\text{ V}$	0.4		0.53	V_{SUP}
$V_{SUP_NON_OP}$	V_{SUP} where impact of recessive LIN bus < 5% (ISO/DIS 17987 Param 11)	TXD & RXD open, $V_{LIN} = 5.5\text{ V to }42\text{ V}$, Bus Load = $60\text{ k}\Omega$ + diode and $1.1\text{ k}\Omega$ + diode	- 0.3		42	V
I_{BUS_LIM}	Limiting current (ISO/DIS 17987 Param 12)	TXD = 0 V, $V_{LIN} = 36\text{ V}$, $R_{MEAS} = 440\ \Omega$, $V_{SUP} = 36\text{ V}$, $V_{BUSdom} < 4.518\text{ V}$; 图 8-6	40	90	200	mA
$I_{BUS_PAS_dom}$	Receiver leakage current, dominant (ISO/DIS 17987 Param 13)	$V_{LIN} = 0\text{ V}$, $V_{SUP} = 12\text{ V}$ Driver off/recessive, $R_{MEAS} = 499\ \Omega$; 图 8-7	- 1			mA
$I_{BUS_PAS_rec1}$	Receiver leakage current, recessive (ISO/DIS 17987 Param 14)	$V_{LIN} \geq V_{SUP}$, $5.5\text{ V} \leq V_{SUP} \leq 36\text{ V}$ Driver off, $R_{MEAS} = 1\text{ k}\Omega$; 图 8-8			20	μA
$I_{BUS_PAS_rec2}$	Receiver leakage current, recessive (ISO/DIS 17987 Param 14)	$V_{LIN} = V_{SUP}$, Driver off, $R_{MEAS} = 1\text{ k}\Omega$; 图 8-8	- 8		8	μA
$I_{BUS_NO_GND}$	Leakage current, loss of ground (ISO/DIS 17987 Param 15)	$GND = V_{SUP}$, $V_{SUP} = 12\text{ V}$, $0\text{ V} \leq V_{LIN} \leq 28\text{ V}$, $R_{MEAS} = 1\text{ k}\Omega$; 图 8-9	- 1		1	mA
$I_{BUS_NO_BAT}$	Leakage current, loss of supply (ISO/DIS 17987 Param 16)	$0\text{ V} \leq V_{LIN} \leq 28\text{ V}$, $V_{SUP} = GND$, $R_{MEAS} = 10\text{ k}\Omega$; 图 8-10			8	μA
V_{BUSdom}	Low-level input voltage (ISO/DIS 17987 Param 17)	LIN dominant (including LIN dominant for wake up); 图 8-3, 图 8-4			0.4	V_{SUP}
V_{BUSrec}	High-level input voltage (ISO/DIS 17987 Param 18)	LIN recessive; 图 8-3, 图 8-4	0.6			V_{SUP}
V_{BUS_CNT}	Receiver center threshold (ISO/DIS 17987 Param 19)	$V_{BUS_CNT} = (V_{IL} + V_{IH})/2$; 图 8-3, 图 8-4	0.475	0.5	0.525	V_{SUP}
V_{HYS}	Hysteresis voltage (ISO/DIS 17987 Param 20) ⁽²⁾	$V_{HYS} = (V_{IL} - V_{IH})$; 图 8-3, 图 8-4	0.07		0.175	V_{SUP}
V_{SERIAL_DIODE}	Serial diode LIN term pull-up path (ISO/DIS 17987 Param 21)	By design and characterization	0.4	0.7	1.0	V
R_{PU}	Internal Pull-up resistor to V_{SUP} (ISO/DIS 17987 Param 26)	Normal and Standby modes	20	45	60	$\text{k}\Omega$
I_{RSLEEP}	Pull-up current source to V_{SUP}	Sleep mode, $V_{SUP} = 12\text{ V}$, LIN = GND	- 20		- 2	μA
C_{LINPIN}	Capacitance of the LIN pin ⁽⁶⁾				25	pF
EN INPUT TERMINAL						
V_{IH}	High-level input voltage		2		5.5	V
V_{IL}	Low-level input voltage		- 0.3		0.8	V
V_{HYS}	Hysteresis voltage	By design and characterization	30		500	mV
I_{IL}	Low-level input current	EN = Low	- 6	0	6	μA
R_{EN}	Internal pull-down resistor		125	350	800	$\text{k}\Omega$
nRST TERMINAL (OPEN DRAIN OUTPUT)						
I_{LKG}	Leakage current, high-level	LIN = V_{SUP} , nRST = V_{CC}	- 6		6	μA
V_{OL}	Low-level output voltage	Based upon external pull up to V_{CC}			0.2	V_{CC}
I_{OL}	Low-level output current, open-drain	LIN = 0 V, nRST = 0.4 V	1.5			mA

7.7 Electrical Characteristics (continued)

parameters valid over $-40^{\circ}\text{C} \leq T_J \leq 150^{\circ}\text{C}$ range (unless otherwise noted)

PARAMETER		TEST CONDITIONS	MIN	TYP	MAX	UNIT
DUTY CYCLE CHARACTERISTICS						
D1	Duty Cycle 1 (ISO/DIS 17987 Param 27 and J2602 Normal battery) ^{(3) (4)}	$T_{H_{REC}(MAX)} = 0.744 \times V_{SUP}$, $T_{H_{DOM}(MAX)} = 0.581 \times V_{SUP}$, $V_{SUP} = 7\text{ V to }18\text{ V}$, $t_{BIT} = 50/52\ \mu\text{s}$, $D1 = t_{BUS_rec(min)}/(2 \times t_{BIT})$ (See 图 8-11 , 图 8-12)	0.396			
D2	Duty Cycle 2 (ISO/DIS 17987 Param 28 and J2602 Normal battery) ^{(3) (4)}	$T_{H_{REC}(MIN)} = 0.422 \times V_{SUP}$, $T_{H_{DOM}(MIN)} = 0.284 \times V_{SUP}$, $V_{SUP} = 7.6\text{ V to }18\text{ V}$, $t_{BIT} = 50/52\ \mu\text{s}$ (20 kbps), $D2 = t_{BUS_rec(MAX)}/(2 \times t_{BIT})$ (See 图 8-11 , 图 8-12)			0.581	
D3	Duty Cycle 3 (ISO/DIS 17987 Param 29 and J2602 Normal battery) ^{(3) (4)}	$T_{H_{REC}(MAX)} = 0.778 \times V_{SUP}$, $T_{H_{DOM}(MAX)} = 0.616 \times V_{SUP}$, $V_{SUP} = 7\text{ V to }18\text{ V}$, $t_{BIT} = 96\ \mu\text{s}$ (10.4 kbps), $D3 = t_{BUS_rec(min)}/(2 \times t_{BIT})$ (See 图 8-11 , 图 8-12)	0.417			
D4	Duty Cycle 4 (ISO/DIS 17987 Param 30 and J2602 Normal battery) ^{(3) (4)}	$T_{H_{REC}(MIN)} = 0.389 \times V_{SUP}$, $T_{H_{DOM}(MIN)} = 0.251 \times V_{SUP}$, $V_{SUP} = 7.6\text{ V to }18\text{ V}$, $t_{BIT} = 96\ \mu\text{s}$ (10.4 kbps), $D4 = t_{BUS_rec(MAX)}/(2 \times t_{BIT})$ (See 图 8-11 , 图 8-12)			0.59	
D1 _{LB}	Duty Cycle 1 J2602 Low battery ^{(4) (5)}	$T_{H_{REC}(MAX)} = 0.665 \times V_{SUP}$, $T_{H_{DOM}(MAX)} = 0.499 \times V_{SUP}$, $V_{SUP} = 5.5\text{ V to }7\text{ V}$, $t_{BIT} = 50/52\ \mu\text{s}$, $D1_{LB} = t_{BUS_rec(min)}/(2 \times t_{BIT})$ (See 图 8-11 , 图 8-12)	0.396			
D2 _{LB}	Duty Cycle 2 J2602 Low battery ^{(4) (5)}	$T_{H_{REC}(MIN)} = 0.496 \times V_{SUP}$, $T_{H_{DOM}(MIN)} = 0.361 \times V_{SUP}$, $V_{SUP} = 6.1\text{ V to }7.6\text{ V}$, $t_{BIT} = 50/52\ \mu\text{s}$, $D2_{LB} = t_{BUS_rec(MAX)}/(2 \times t_{BIT})$ (See 图 8-11 , 图 8-12)			0.581	
D3 _{LB}	Duty Cycle 3 J2602 Low battery ^{(4) (5)}	$T_{H_{REC}(MAX)} = 0.665 \times V_{SUP}$, $T_{H_{DOM}(MAX)} = 0.499 \times V_{SUP}$, $V_{SUP} = 5.5\text{ V to }7\text{ V}$, $t_{BIT} = 96\ \mu\text{s}$, $D3_{LB} = t_{BUS_rec(min)}/(2 \times t_{BIT})$ (See 图 8-11 , 图 8-12)	0.417			
D4 _{LB}	Duty Cycle 4 J2602 Low battery ^{(4) (5)}	$T_{H_{REC}(MIN)} = 0.496 \times V_{SUP}$, $T_{H_{DOM}(MIN)} = 0.361 \times V_{SUP}$, $V_{SUP} = 6.1\text{ V to }7.6\text{ V}$, $t_{BIT} = 96\ \mu\text{s}$, $D4_{LB} = t_{BUS_rec(MAX)}/(2 \times t_{BIT})$ (See 图 8-11 , 图 8-12)			0.59	

(1) SAE J2602 loads include: commander node: 5.5 nF; 4 kΩ and for a commander node: 5.5 nF; 875 Ω

(2) V_{HYS} is defined for both ISO 17987 and SAE J2602-1.

(3) ISO 17987 loads include 1 nF; 1 kΩ/ 6.8nF; 660 Ω/ 10 nF; 500 Ω; with t_{BIT} values of 50 μs and 96 μs

(4) SAE J2602 loads include: commander node: 5.5 nF; 4 kΩ/ 899 pF; 20 kΩ and for a responder node: 5.5 nF; 875 Ω/ 899 pF; 900 Ω; with t_{BIT} values of 52 μs and 96 μs

(5) ISO 17987 does not have a low battery specification. Using the ISO 17987 loads these low battery duty cycle parameters are covered for t_{BIT} values of 50 μs and 96 μs

(6) Specified by design

7.8 AC Switching Characteristics

parameters valid over $-40^{\circ}\text{C} \leq T_J \leq 150^{\circ}\text{C}$ range (unless otherwise noted)

PARAMETER		TEST CONDITIONS	MIN	TYP	MAX	UNIT
DEVICE SWITCHING CHARACTERISTICS						
t_{rx_pdr} t_{rx_pdf}	Receiver rising/falling propagation delay time (ISO/DIS 17987 Param 31)	$R_{RXD} = 2.4\text{ k}\Omega$, $C_{RXD} = 20\text{ pF}$ (See 图 8-13 , 图 8-14 and 图 8-18)			6	μs
t_{rs_sym}	Symmetry of receiver propagation delay time Receiver rising propagation delay time (ISO/DIS 17987 Param 32)	Rising edge with respect to falling edge, ($t_{rx_sym} = t_{rx_pdf} - t_{rx_pdr}$), $R_{RXD} = 2.4\text{ k}\Omega$, $C_{RXD} = 20\text{ pF}$ (图 8-13 , 图 8-14 and 图 8-18)	-2		2	μs
t_{LINBUS}	LIN wakeup time (minimum dominant time on LIN bus for wakeup)	See 图 8-17 , 图 9-3 and 图 9-4	25	100	150	μs

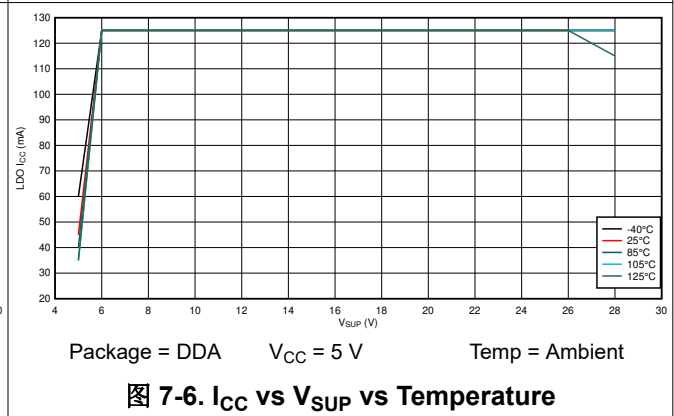
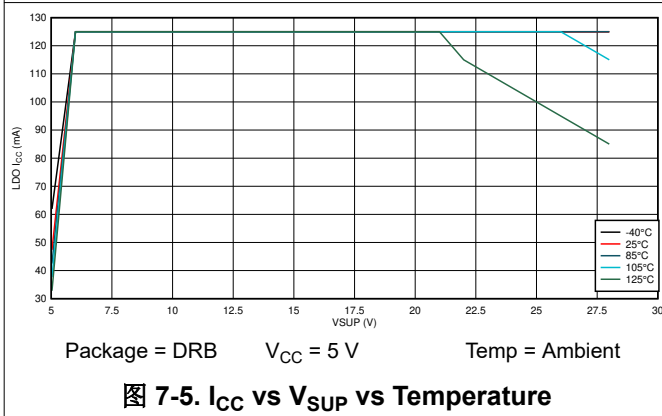
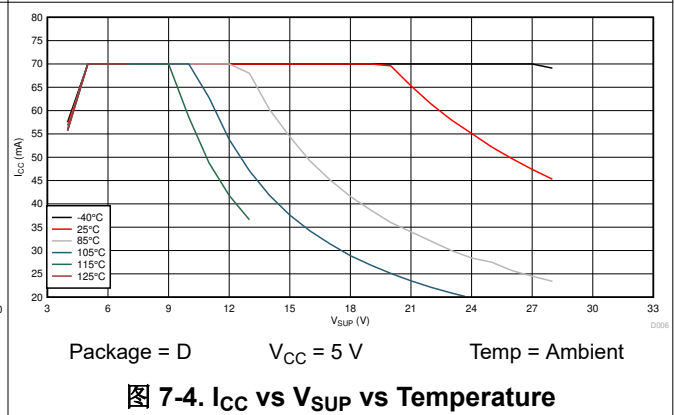
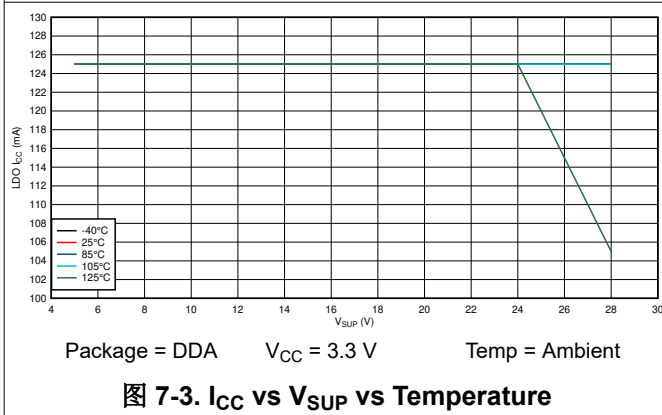
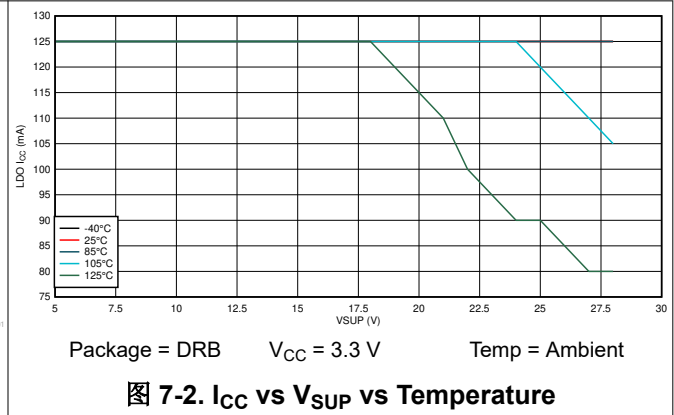
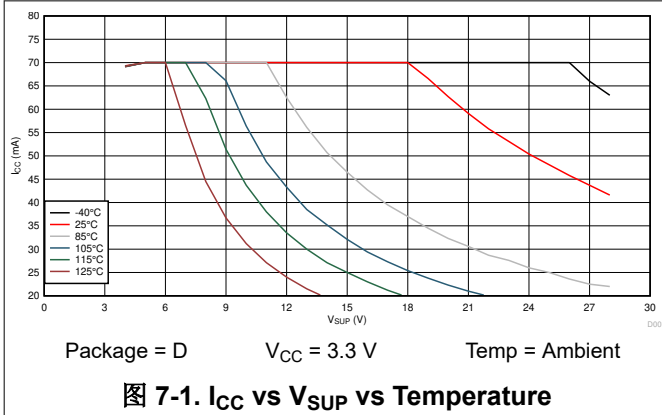
7.8 AC Switching Characteristics (continued)

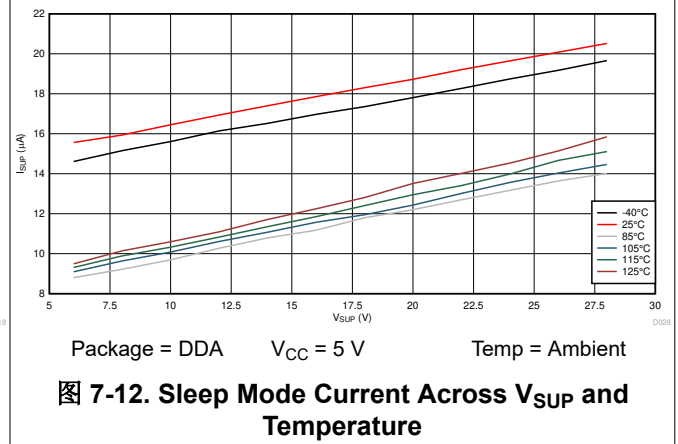
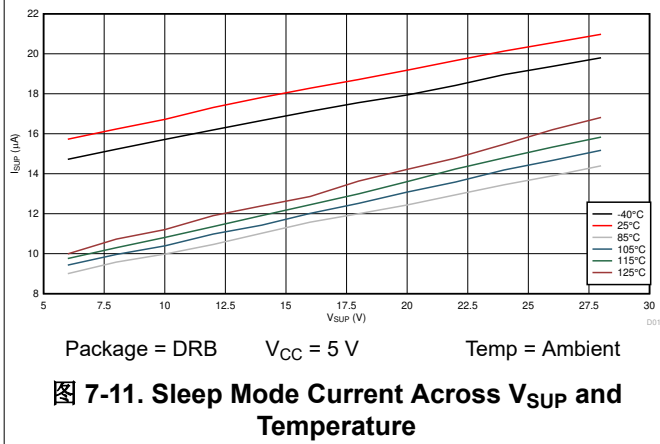
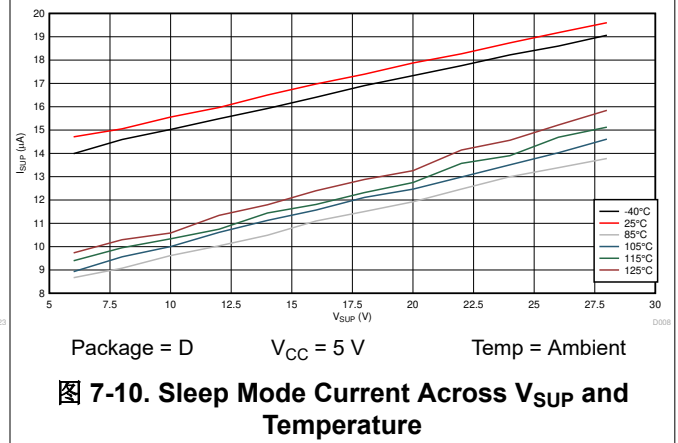
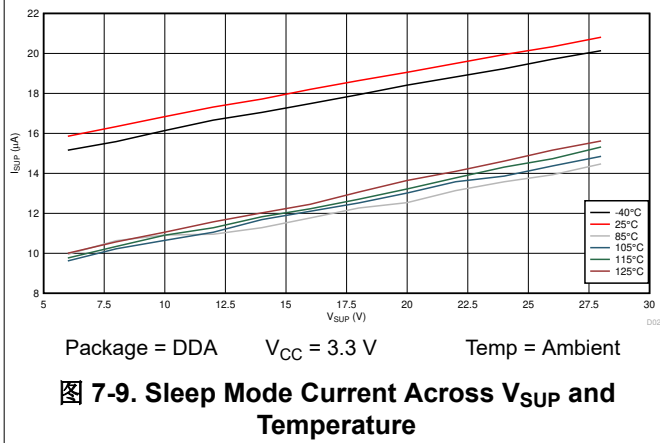
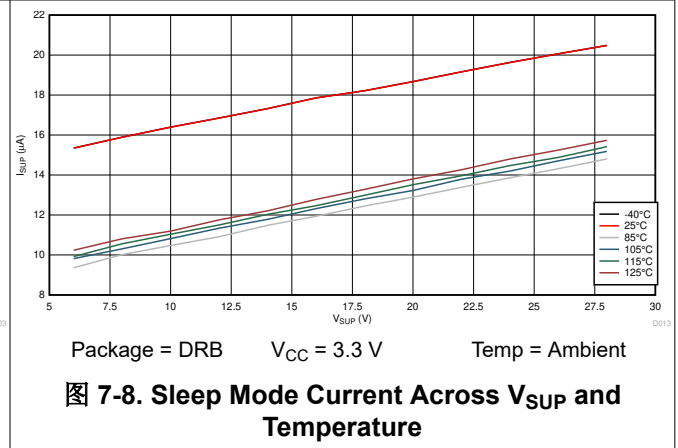
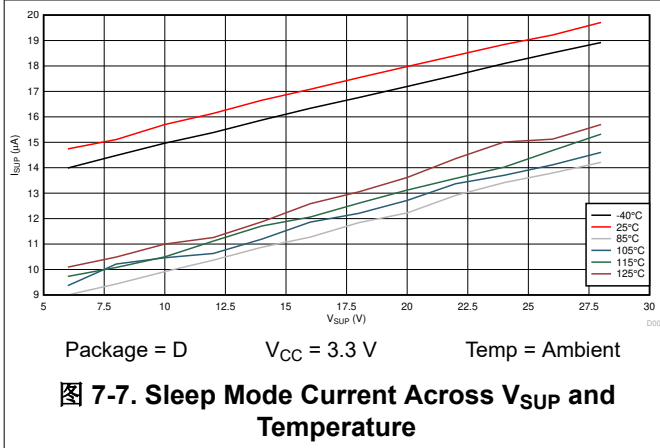
parameters valid over $-40^{\circ}\text{C} \leq T_J \leq 150^{\circ}\text{C}$ range (unless otherwise noted)

PARAMETER		TEST CONDITIONS	MIN	TYP	MAX	UNIT
t_{CLEAR}	Time to clear false wake-up prevention logic if LIN bus had a bus stuck dominant fault (recessive time on LIN bus to clear bus stuck dominant fault)	See Fig 9-4	8	17	50	μs
$t_{\text{TXD_DTO}}$	Dominant state time out		20	34	80	ms
t_{EN}	Enable pin deglitch time ⁽¹⁾	Time of enable pin state change before initiating mode change or sampling TXD pin: See Fig 8-15	3		12	μs
$t_{\text{MODE_CHANGE}}$	Mode change delay time from normal mode to sleep or standby modes	Time to change from normal mode to sleep or standby after TXD pin sampling after EN pin set low: See Fig 8-15			20	μs
$t_{\text{MODE_CHANGE}}$	Mode change delay time from sleep mode to normal mode	Time to change from sleep mode to normal mode through EN pin and not due to a wake event; RXD pulled up to V_{CC} : See Fig 8-15			400	μs
t_{NOMINT}	Normal mode initialization time	Time for normal mode to initialize and data on RXD pin to be valid after t_{EN} : See Fig 8-15			35	μs
t_{PWR}	Power-up time	Upon power up, time it takes for nRST to go high			2	ms

(1) Specified by design

7.9 Typical Characteristics





备注

For the LDO I_{CC} vs V_{SUP} vs Temperature typical curves the data was collected on a high-k EVM board using a forced air system. The curves show performance based upon thermal resistance $R_{\theta JB}$.

8 Parameter Measurement Information

8.1 Test Circuit: Diagrams and Waveforms

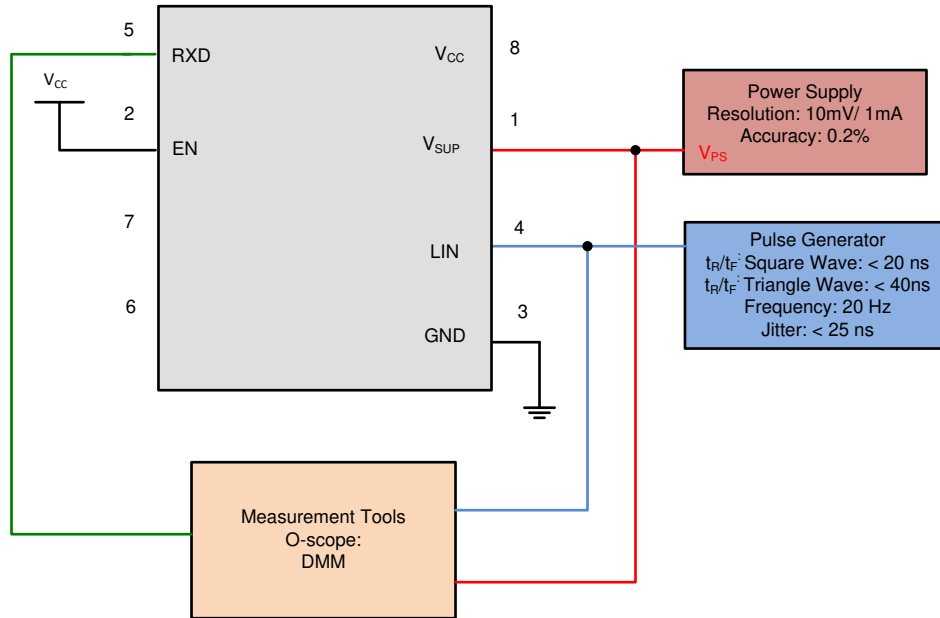


图 8-1. Test System: Operating Voltage Range with RX and TX Access

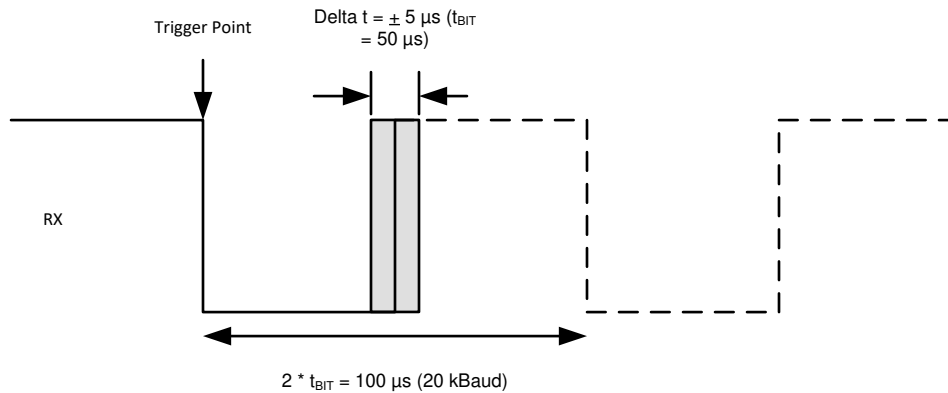


图 8-2. RX Response: Operating Voltage Range

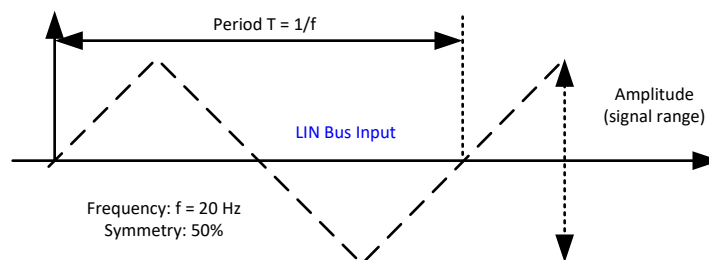


图 8-3. LIN Bus Input Signal

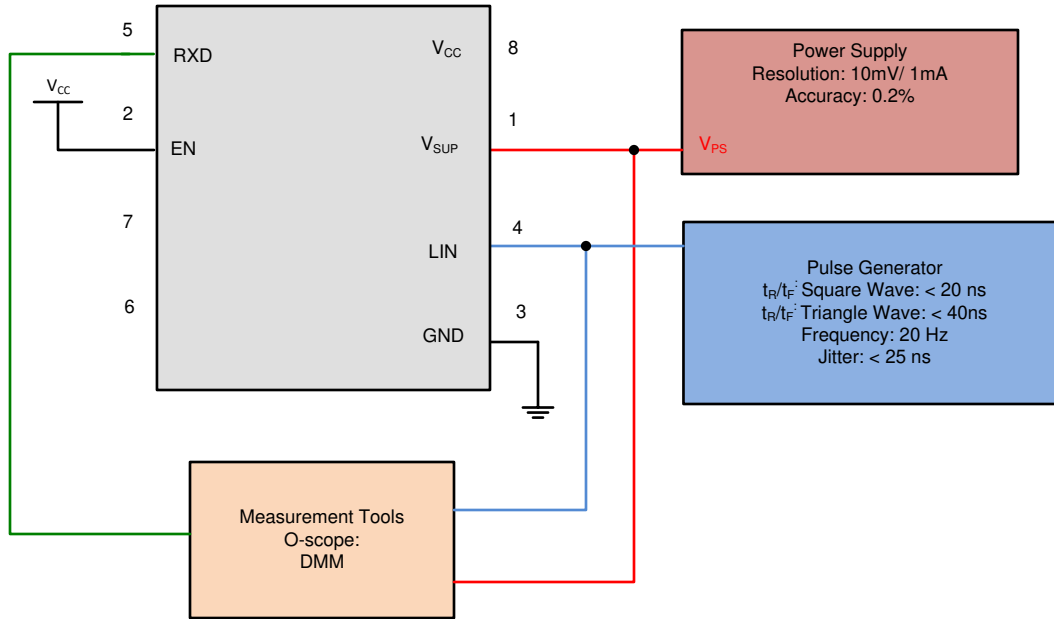


图 8-4. LIN Receiver Test with RX access

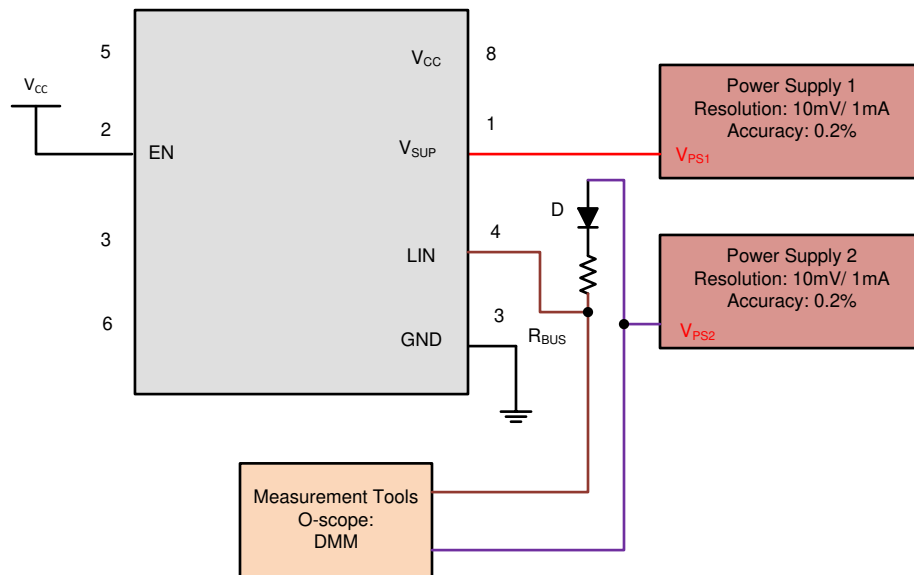


图 8-5. $V_{SUP_NON_OP}$ Test Circuit

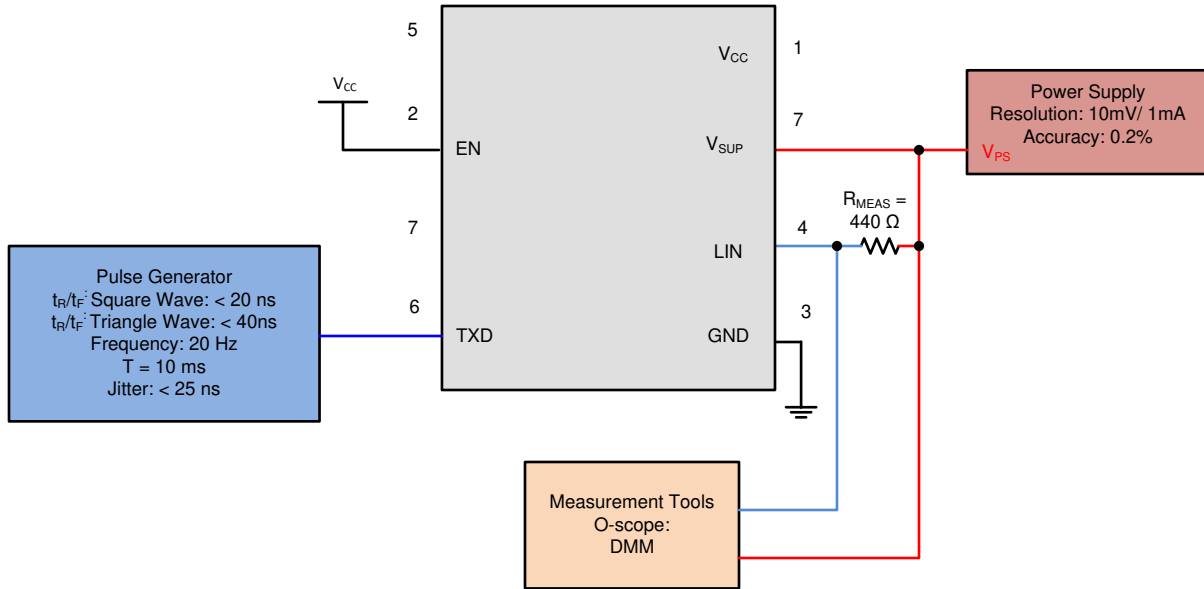


图 8-6. Test Circuit for I_{BUS_LIM} at Dominant State (Driver on)

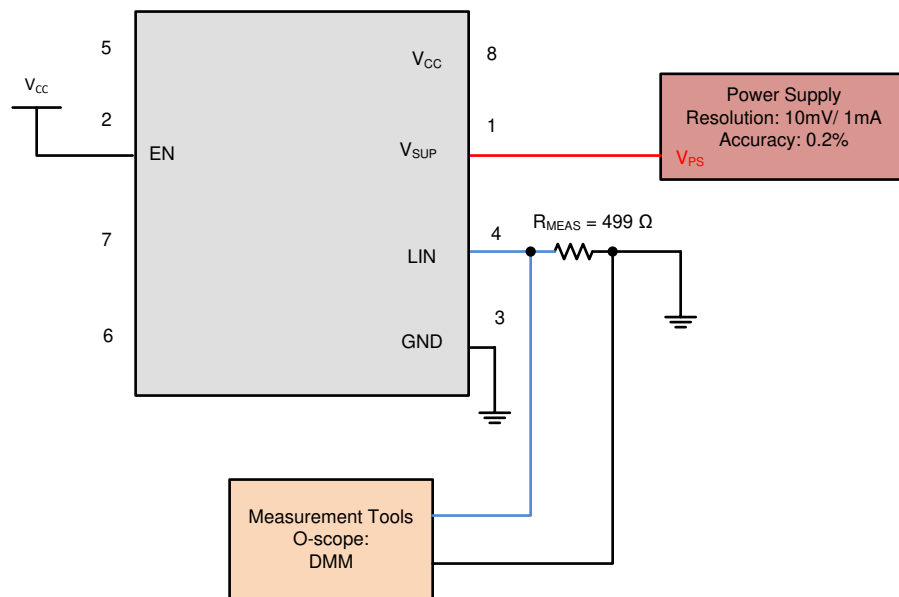


图 8-7. Test Circuit for $I_{BUS_PAS_dom}$; TXD = Recessive State $V_{BUS} = 0 V$

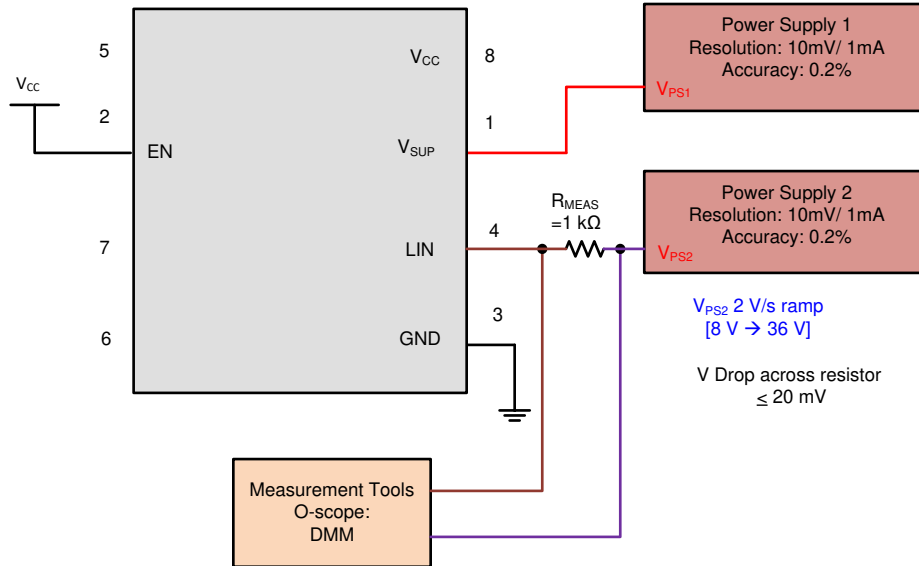


图 8-8. Test Circuit for I_{BUS_PAS_rec}

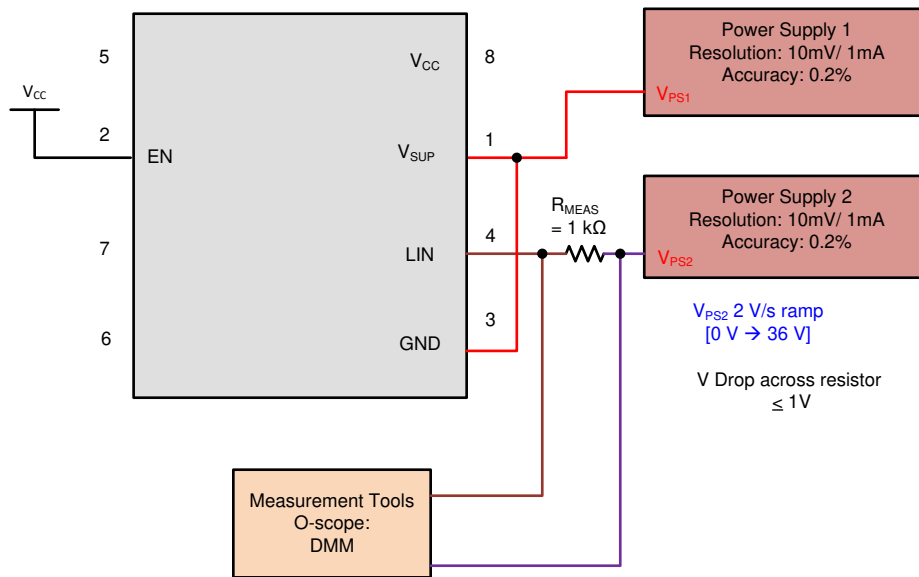


图 8-9. Test Circuit for I_{BUS_NO_GND} Loss of GND

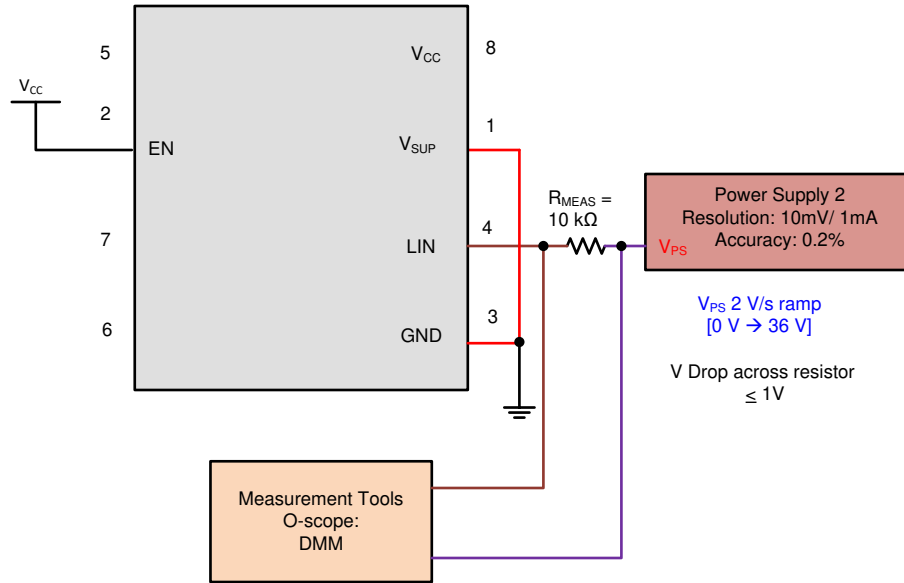


图 8-10. Test Circuit for I_{BUS_NO_BAT} Loss of Battery

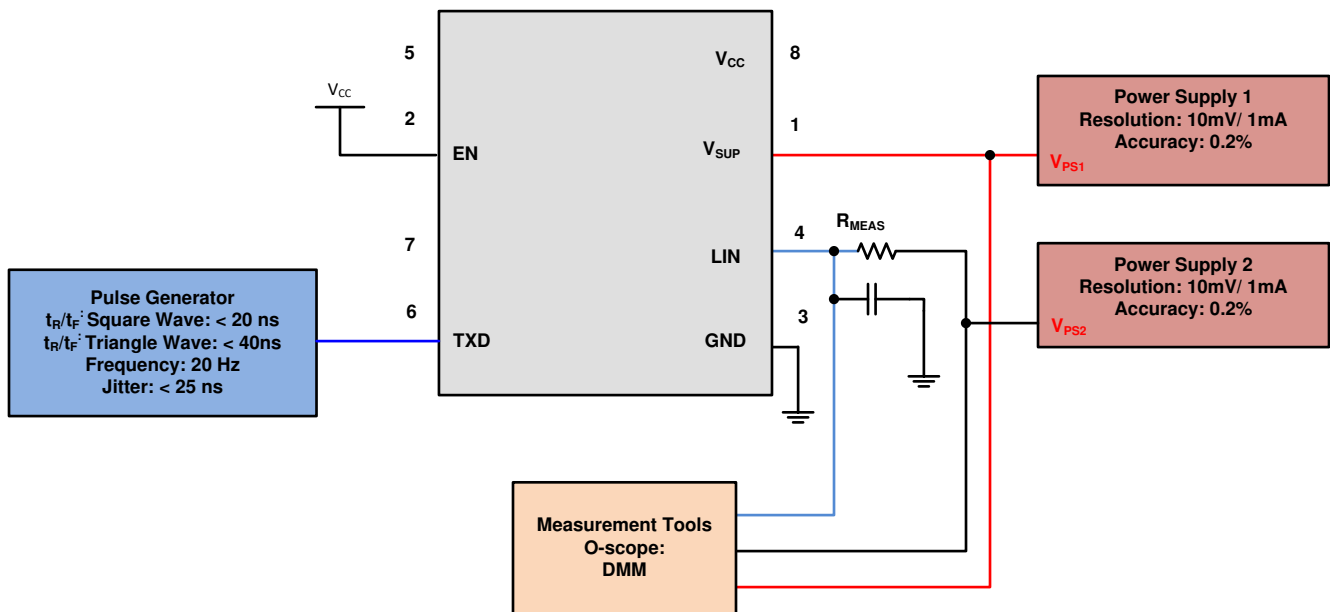


图 8-11. Test Circuit Slope Control and Duty Cycle

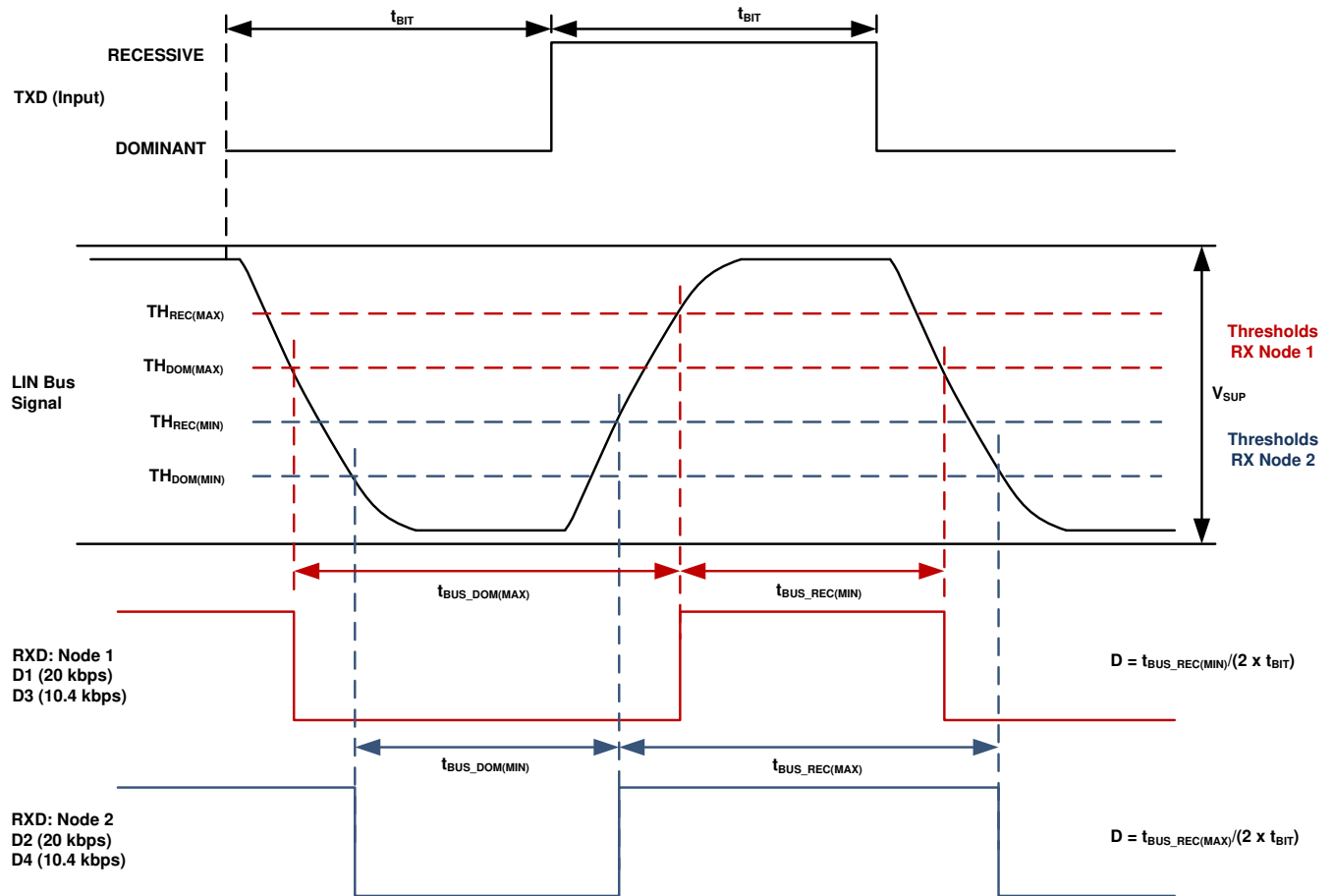


图 8-12. Definition of Bus Timing

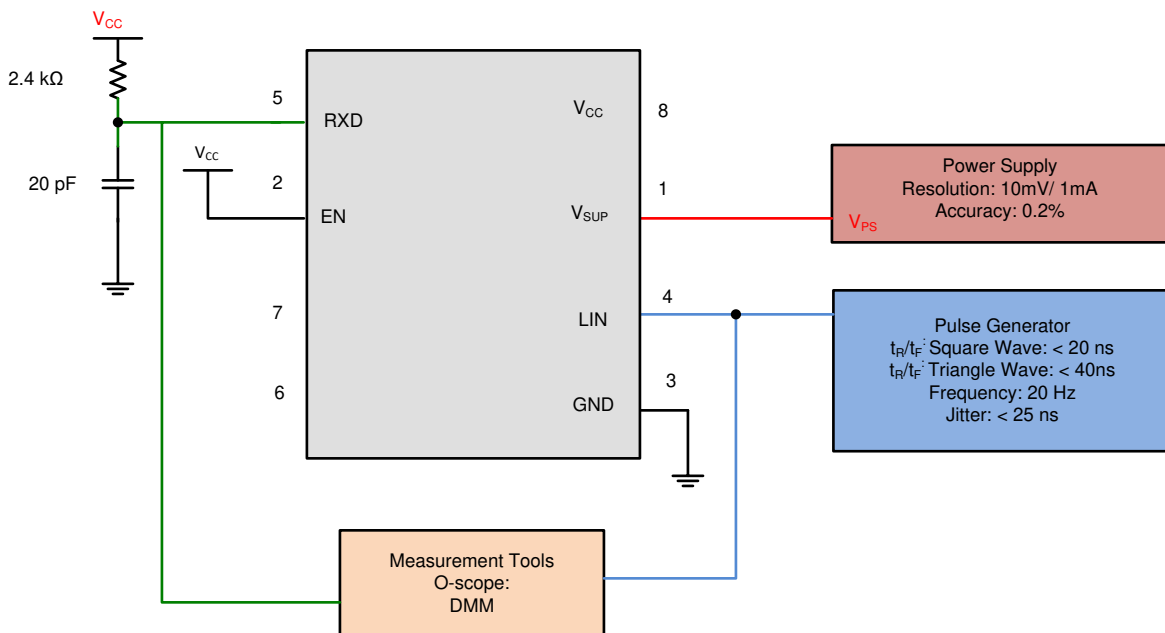
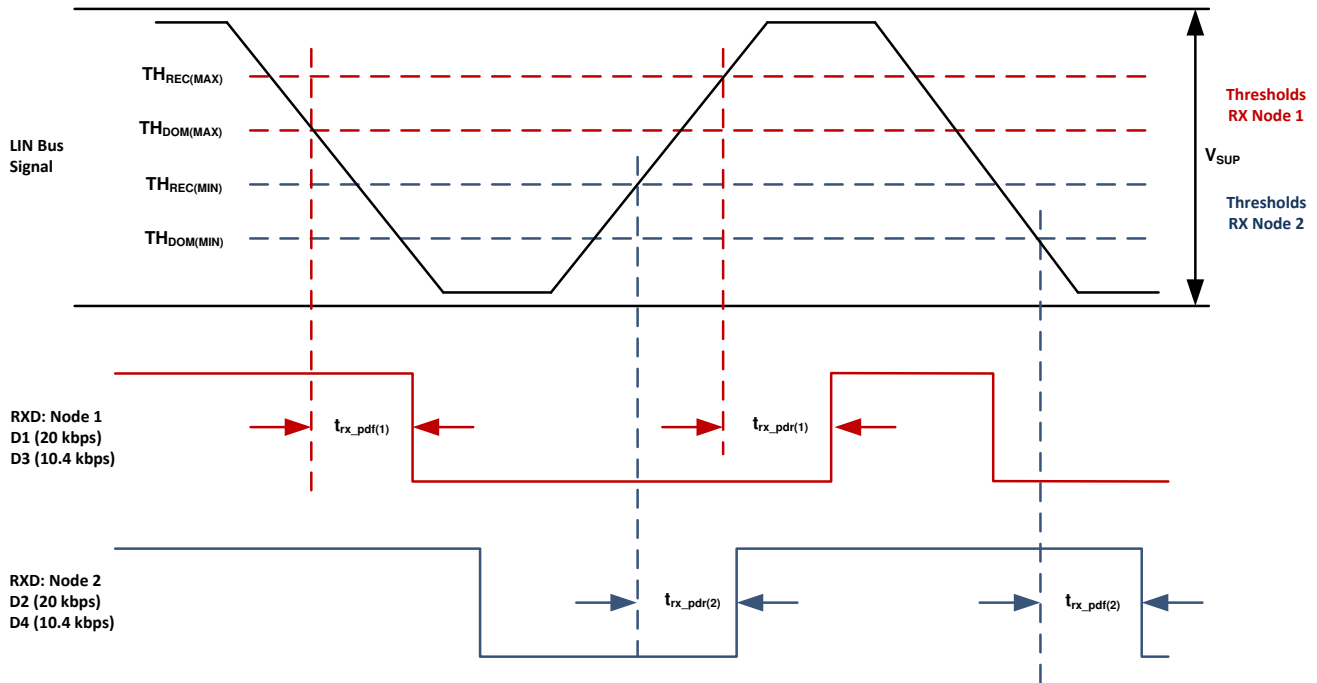


图 8-13. Propagation Delay Test Circuit



Copyright © 2017, Texas Instruments Incorporated

图 8-14. Propagation Delay

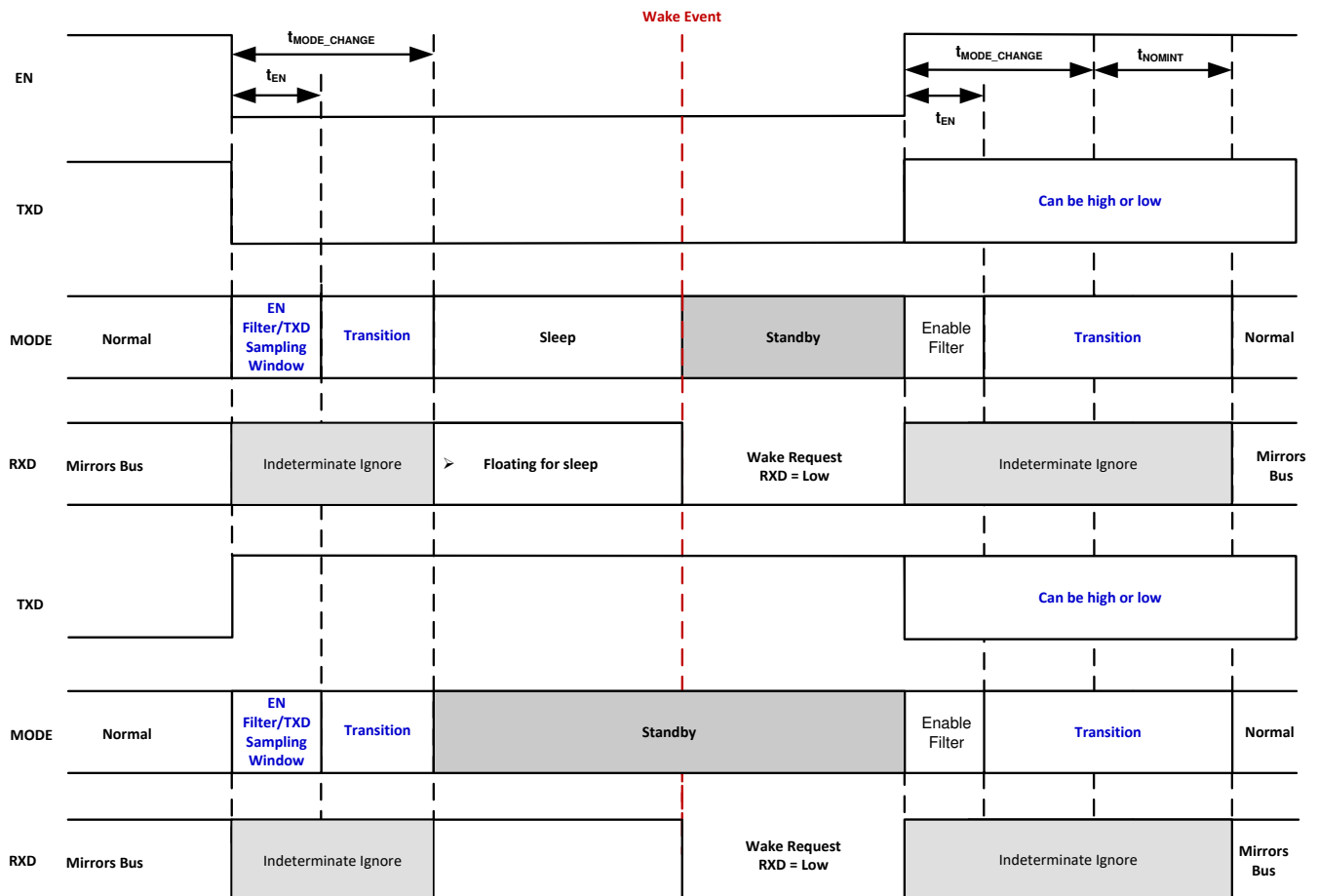


图 8-15. Mode Transitions

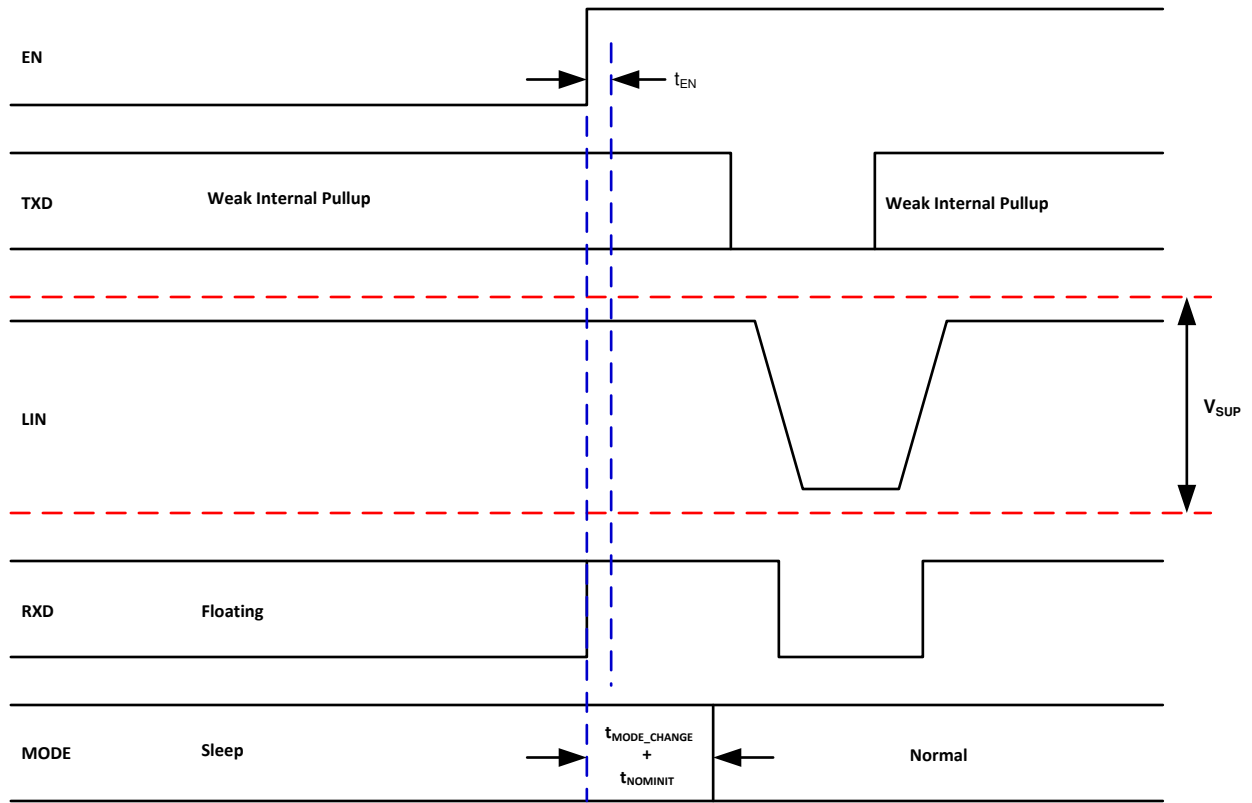


图 8-16. Wakeup Through EN

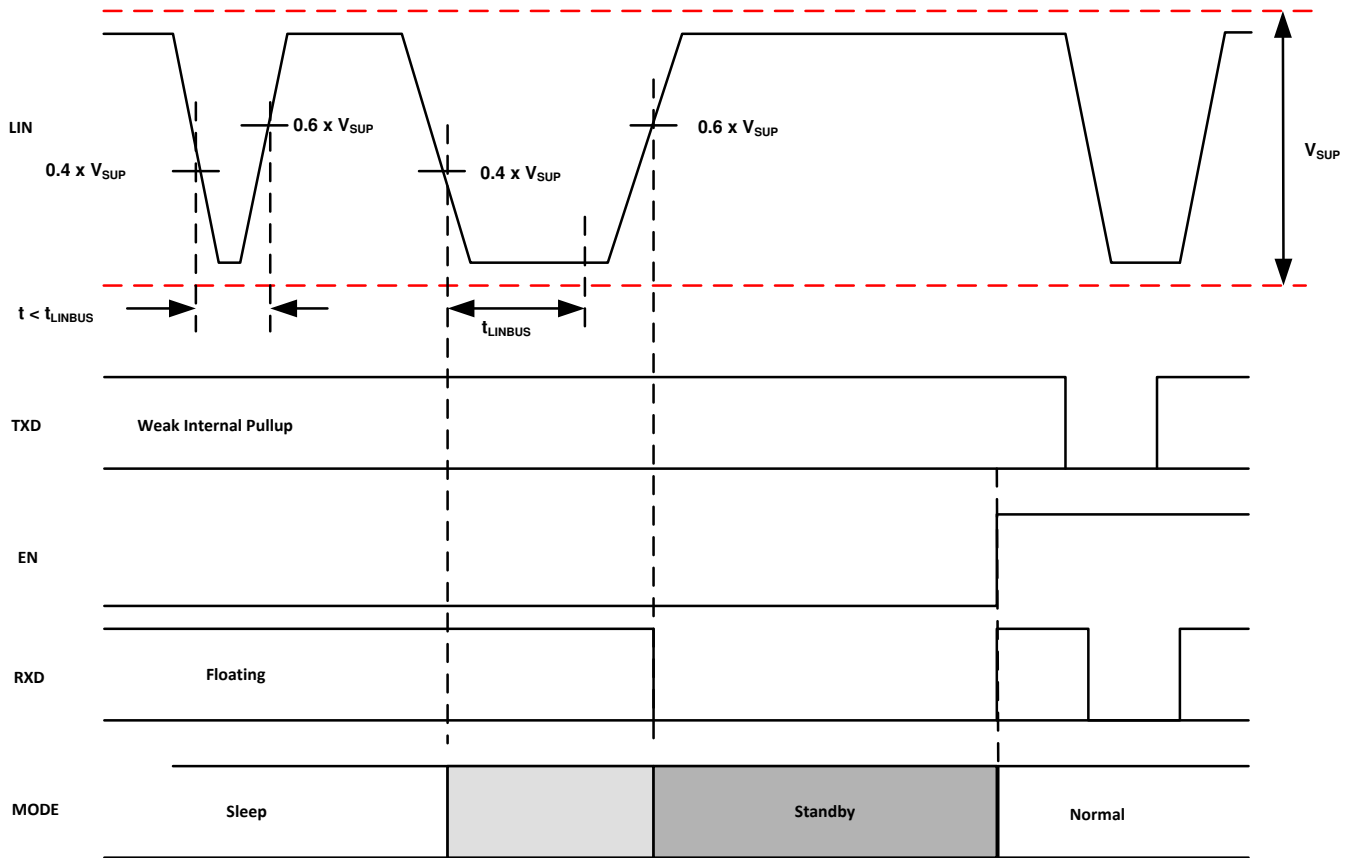


图 8-17. Wakeup through LIN

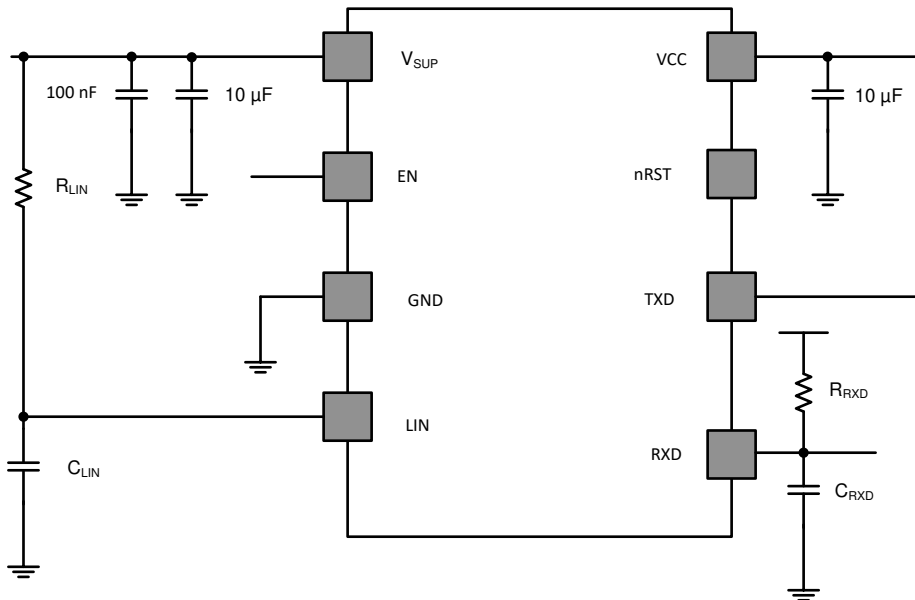


图 8-18. Test Circuit for AC Characteristics

9 Detailed Description

9.1 Overview

The TLIN1028-Q1 LIN transceiver is a Local Interconnect Network (LIN) physical layer transceiver, compliant to LIN 2.0, LIN 2.1, LIN 2.2, LIN 2.2A and ISO/DIS 17987 - 4 with integrated wake-up and protection features. The LIN bus is a single-wire, bidirectional bus that typically is used in low-speed in-vehicle networks with data rates that range up to 20 kbps. The LIN receiver works up to 100 kbps supporting in-line programming. The device converts the LIN protocol data stream on the TXD input into a LIN bus signal using a current-limited wave-shaping driver which reduces electromagnetic emissions (EME). The receiver converts the data stream to logic-level signals that are sent to the microprocessor through the open-drain RXD pin. The LIN bus has two states: dominant state (voltage near ground) and recessive state (voltage near battery). In the recessive state, the LIN bus is pulled high by the internal pull-up resistor (45 kΩ) and a series diode.

Ultra-low current consumption is possible using the sleep mode. The TLIN1028-Q1 provides two methods to wake up from sleep mode: EN pin and LIN bus. The device integrates a low dropout voltage regulator with a wide input from V_{SUP} providing $5\text{ V} \pm 2\%$ or $3.3\text{ V} \pm 2\%$ with up to 125 mA of current depending upon system implementation. nRST is asserted high when V_{CC} increases above UV_{CC} and stays high as long as V_{CC} is above this threshold.

9.2 Functional Block Diagram

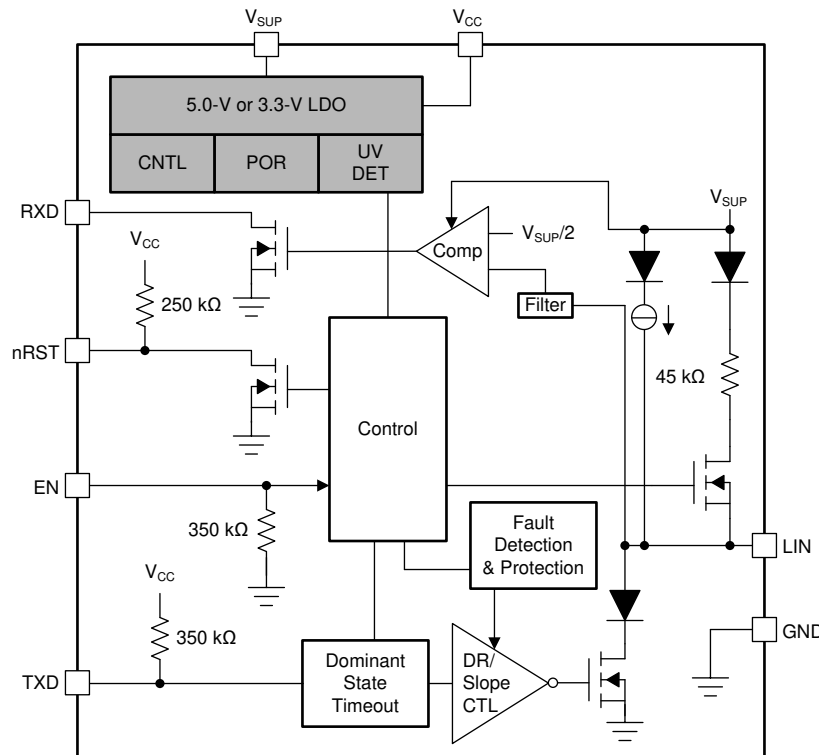


图 9-1. Functional Block Diagram

9.3 Feature Description

9.3.1 LIN Pin

This high-voltage input or output pin is a single-wire LIN bus transmitter and receiver. The LIN pin can survive transient voltages up to 58 V. Reverse currents from the LIN to supply (V_{SUP}) are minimized with blocking diodes, even in the event of a ground shift or loss of supply (V_{SUP}).

9.3.1.1 LIN Transmitter Characteristics

The transmitter meets thresholds and AC parameters according to the LIN specification. The transmitter is a low-side transistor with internal current limitation and thermal shutdown. During a thermal shutdown condition, the transmitter is disabled to protect the device. There is an internal pull-up resistor with a serial diode structure to V_{SUP} , so no external pull-up components are required for the LIN responder node applications. An external pull-up resistor and series diode to V_{SUP} must be added when the device is used for a commander node application.

9.3.1.2 LIN Receiver Characteristics

The receiver characteristic thresholds are ratio-metric with the device supply pin according to the LIN specification.

The receiver is capable of receiving higher data rates (> 100 kbps) than supported by LIN or SAEJ2602 specifications. This allows the TLIN1028-Q1 to be used for high-speed downloads at the end-of-line production or other applications. The actual data rate achievable depends on system time constants (bus capacitance and pull-up resistance) and driver characteristics used in the system.

9.3.1.2.1 Termination

There is an internal pull-up resistor with a serial diode structure to V_{SUP} , so no external pull-up components are required for the LIN responder node applications. An external pull-up resistor ($1\text{ k}\Omega$) and a series diode to V_{SUP} must be added when the device is used for commander node applications as per the LIN specification.

图 9-2 shows a commander node configuration and how the voltage levels are defined

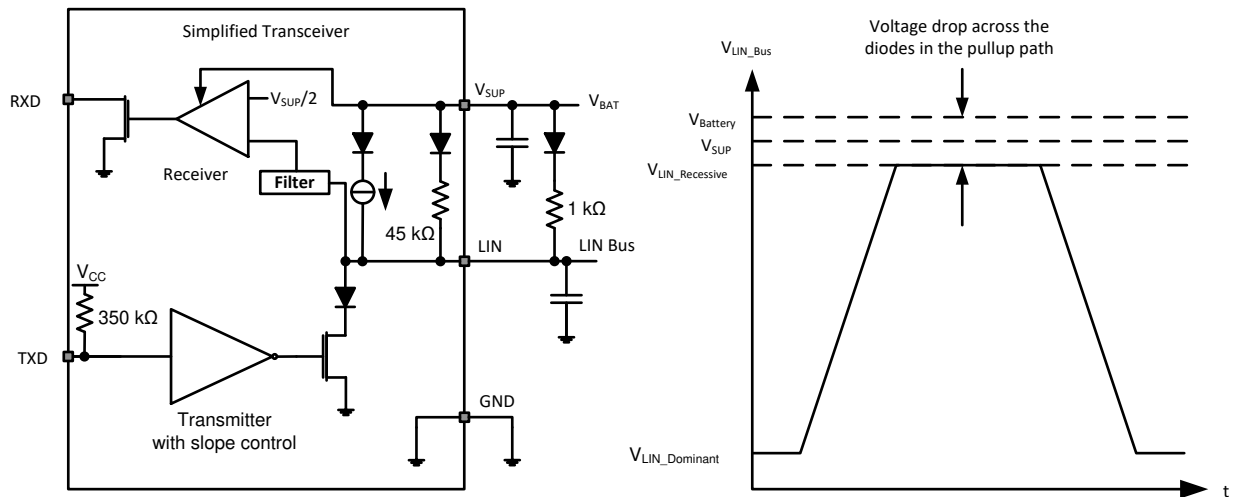


图 9-2. Commander Node Configuration with Voltage Levels

9.3.2 TXD (Transmit Input)

TXD is the interface to the node processor's LIN protocol controller that is used to control the state of the LIN output. When TXD is low, the LIN output is dominant (near ground). When TXD is high, the LIN output is recessive (near V_{SUP}). See 图 9-2. The TXD input structure is compatible with processors that use 3.3 V and 5 V V_I and V_O . TXD has an internal pull-up resistor. The LIN bus is protected from being stuck dominant through a system failure driving TXD low through the dominant state time-out timer.

9.3.3 RXD (Receive Output)

RXD is the interface to the processor's LIN protocol controller, which reports the state of the LIN bus voltage. LIN recessive (near V_{SUP}) is represented by a high level on the RXD and LIN dominant (near ground) is represented by a low level on the RXD pin. The RXD output structure is an open-drain output stage. This allows the device to be used with 3.3 V and 5 V $V_{I/O}$ processors. If the processor's RXD pin does not have an integrated pull-up, an external pull-up resistor to the processors I and O supply voltage is required. In standby mode, the RXD pin is driven low to indicate a wake-up request from the LIN bus from sleep mode. When going from normal mode to

standby mode, the RXD pin is released and pulled-up to the voltage rail that the external pull-up resistor is connected. A LIN bus wake event will cause the RXD pin to be pulled low indicating a wake request.

9.3.4 V_{SUP} (Supply Voltage)

V_{SUP} is the power supply pin. V_{SUP} is connected to the battery through an external reverse-battery blocking diode.

The V_{SUP} pin is a high-voltage-tolerant pin. A decoupling capacitor with a value of 100 nF is recommended to be connected close to this pin to improve the transient performance. If there is a loss of power at the ECU level, the device has ultra low leakage from the LIN pin, which does not load the bus down. This is optimal for LIN systems in which some of the nodes are unpowered (ignition supplied) while the rest of the network remains powered (battery supplied). When V_{SUP} drops low enough the regulated output drops out of regulation. The LIN bus works with a V_{SUP} as low as 5.5 V, but at a lower voltage, the performance is indeterminate and not ensured. If V_{SUP} voltage level drops enough, it triggers the UV_{SUP}, and if it keeps dropping, at some point it passes the POR threshold.

9.3.5 GND (Ground)

GND is the device ground connection. The device can operate with a ground shift as long as the ground shift does not reduce the V_{SUP} below the minimum operating voltage. If there is a loss of ground at the ECU level, the device has ultra low leakage from the LIN pin, which does not load the bus down. This is optimal for LIN systems in which some of the nodes are unpowered (ignition supplied) while the rest of the network remains powered (battery supplied).

9.3.6 EN (Enable Input)

EN controls the operational modes of the device. When EN is high, the device is in normal operating mode allowing a transmission path from TXD to LIN and from LIN to RXD. When EN is low, the device is put into sleep or standby mode and there are no transmission paths available. EN has an internal pull-down resistor to ensure the device remains in low power mode even if EN is left floating. EN should be held low until V_{SUP} reaches the expected system voltage level.

9.3.7 nRST (Reset Output)

The V_{CC} pin is monitored for under voltage events. This pin is internally pulled up to V_{CC} and when an undervoltage event takes place, this pin is pulled low. The pin returns to V_{CC} once the voltage on V_{CC} exceeds the under-voltage threshold. nRST is dependent on the value V_{CC} and not the operational mode. If UV_{CC} takes place for longer than t_{DET(UVCC)} nRST is pulled to ground. If a thermal shutdown event takes place, this pin is pulled to ground.

9.3.8 V_{CC} (Supply Output)

The V_{CC} terminal can provide 5 V or 3.3 V with up to 125 mA to power up external devices when using high-k boards and thermal management best practices in order to keep the virtual junction temperature below 165 °C and avoid thermal shutdown.

9.3.9 Protection Features

The device has several protection features that are described as follows.

9.3.9.1 TXD Dominant Time Out (DTO)

During normal mode, if TXD is inadvertently driven permanently low by a hardware or software application failure, the LIN bus is protected by the dominant state time-out timer. This timer is triggered by a falling edge on the TXD pin. If the low signal remains on TXD for longer than t_{TXD_DTO}, the transmitter is disabled, thus allowing the LIN bus to return to recessive state and communication to resume on the bus. The protection is cleared and the t_{TXD_DTO} timer is reset by a rising edge on TXD. The TXD pin has an internal pull-up to ensure the device fails to a known recessive state if TXD is disconnected. During this fault, the transceiver remains in normal mode (assuming no change of state request on EN), the RXD pin reflects the LIN bus and the LIN bus pull-up termination remains on.

9.3.9.2 Bus Stuck Dominant System Fault: False Wake Up Lockout

The device contains logic to detect bus stuck dominant system faults and prevents the device from waking up falsely during the system fault. Upon entering sleep mode, the device detects the state of the LIN bus. If the bus is dominant, the wake-up logic is locked out until a valid recessive on the bus “clears” the bus stuck dominant, preventing excessive current use. 图 9-3 and 图 9-4 show the behavior of this protection.

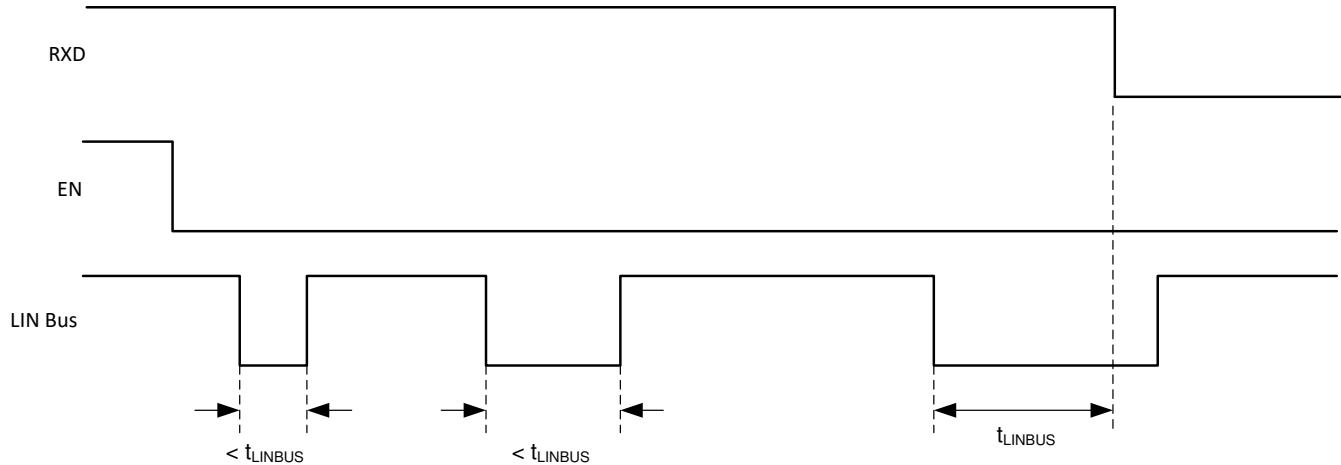


图 9-3. No Bus Fault: Entering Sleep Mode with Bus Recessive Condition and Wakeup

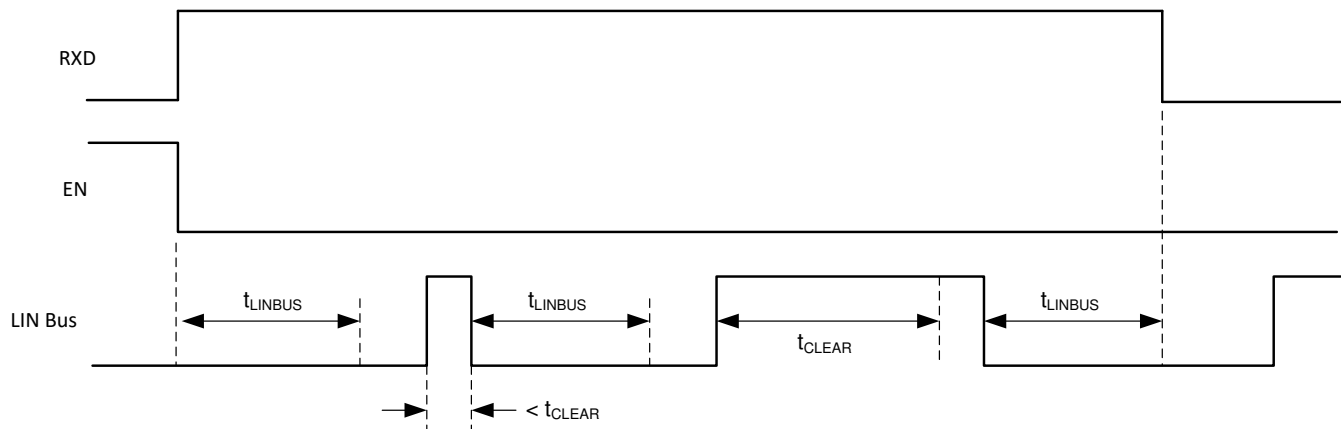


图 9-4. Bus Fault: Entering Sleep Mode with Bus Stuck Dominant Fault, Clearing, and Wakeup

9.3.9.3 Thermal Shutdown

The LIN transmitter is protected by current-limiting circuit; however, if the junction temperature of the device exceeds the thermal shutdown threshold, the device puts the LIN transmitter into the recessive state and turns off the V_{CC} regulator. The nRST pin is pulled to ground during a TSD event. Once the over-temperature fault condition has been removed and the virtual junction temperature has cooled beyond the hysteresis temperature, the transmitter is re-enabled. During this fault the device enters a TSD off mode. Once the junction temperature cools, the device enters standby mode as per the state diagram.

9.3.9.4 Under Voltage on V_{SUP}

The device contains a power-on reset circuit to avoid false bus messages during under voltage conditions when V_{SUP} is less than UV_{SUP} .

9.3.9.5 Unpowered Device and LIN Bus

In automotive applications, some LIN nodes in a system can be unpowered (ignition supplied) while others in the network remain powered by the battery. The device has extremely low unpowered leakage current from the bus, so an unpowered node does not affect the network nor load it down.

9.4 Device Functional Modes

nRST: Float

The TLIN1028-Q1 has three functional modes of operation: normal, sleep, and standby. The next sections describes these modes as well as how the device moves between the different modes. [图 9-5](#) graphically shows the relationship while [表 9-1](#) shows the state of pins.

表 9-1. Operating Modes

Mode	EN	RXD	LIN BUS Termination	Transmitter	nRST	Comment
Sleep	Low	Floating	Weak Current pull-up	Off	Ground	nRST is internally connected to the LDO output which is pulled to ground in sleep mode.
Standby Init	Low	Floating	45 kΩ (typical)	Off	Ramping	nRST is internally connected to the LDO output which in standby init mode is pulled low until VCC raises beyond UV _{CC} threshold.
Standby from SLP	Low	Low	45 kΩ (typical)	Off	V _{CC}	Wake-up event detected, waiting on processors to set EN nRST comes on to V _{CC} once thresholds are met.
Standby from Norm	Low	High	45 kΩ (typical)	Off	V _{CC}	LDO is on and RXD is high but if a LIN bus wake event takes place RXD is pulled low.
Normal	High	LIN Bus Data	45 kΩ (typical)	On	V _{CC}	LIN transmission up to 20 kbps
TSD Off	NA	Floating	45 kΩ (typical)	Off	Ground	nRST is pulled low as the LDO is turned off which means UV _{CC} threshold has been met.

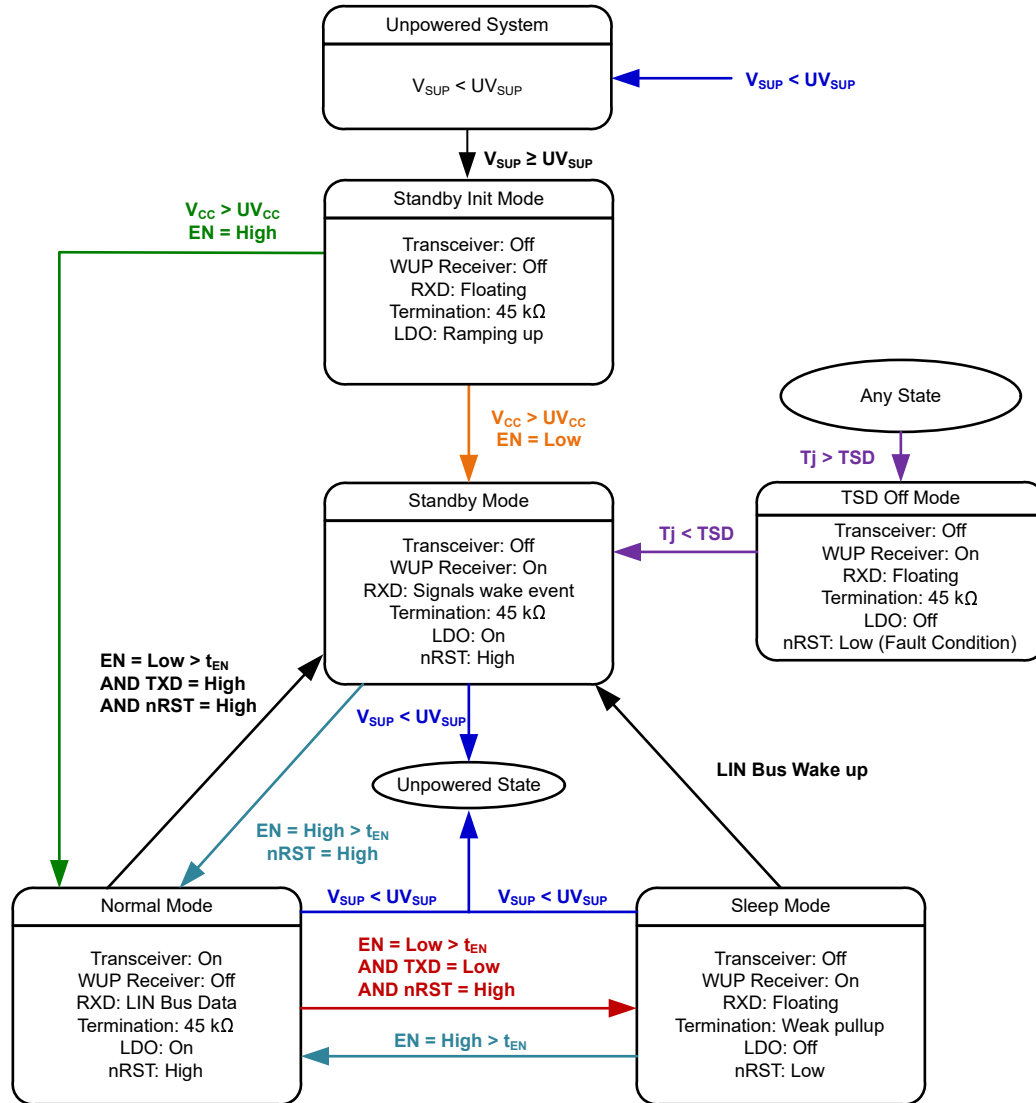


图 9-5. Operating State Diagram

9.4.1 Normal Mode

If the EN pin is high after the device enters standby init mode, the device enters normal mode. If EN is low, it enters standby mode. In normal operational mode, the receiver and transmitter are active and the LIN transmission up to the LIN specified maximum of 20 kbps is supported. If TXD pin is dominant at the time of entering normal mode the LIN transmitter is kept off until a recessive is applied to TXD. The receiver detects the data stream on the LIN bus and outputs it on RXD for the LIN controller. A recessive signal on the LIN bus is a digital high and a dominant signal on the LIN bus is a digital low. The driver transmits input data from TXD to the LIN bus. Normal mode is entered as EN transitions high while the device is in sleep or standby mode for $> t_{EN}$. Once EN has been high for t_{EN} the device enters normal mode after t_{MODE_CHANGE} and $t_{NOMINIT}$.

9.4.2 Sleep Mode

Sleep Mode is the power saving mode for the TLIN1028-Q1. Even with extremely low current consumption in this mode, the device can still wake up from the LIN bus through a wake-up signal or if EN is set high for $> t_{EN}$. The wake-up events must be active for the respective time periods (t_{LINBUS}).

While the device is in sleep mode, the following conditions exist:

- The LIN bus driver is disabled and the internal LIN bus termination is switched off (to minimize power loss if LIN is short-circuited to ground). However, the weak current pull-up is active to prevent false wake-up events in case an external connection to the LIN bus is lost.
- The normal receiver is disabled.
- EN input and LIN wake-up receiver are active.

9.4.3 Standby Mode

Standby mode is entered either by a wake-up event through LIN bus while the device is in sleep mode or by the EN pin from normal or standby init modes. From normal mode EN must be low for $> t_{EN}$ and TXD and nRST are high. RXD pin in standby mode is dependent upon how standby mode was entered. If entered from normal mode or power up, RXD is high. If entered from sleep mode, RXD is pulled low to indicate a wake event. When entering standby mode from normal or standby init modes, a wake event on the LIN bus causes the RXD pin to be pulled low.

During power up, if EN is low the device goes into standby mode, and if EN is high, the device goes into normal mode. EN has an internal pull-down resistor ensuring EN is pulled low if the pin is left floating in the system.

9.4.4 Wake-Up Events

There are two ways to wake-up from sleep mode:

- Remote wake-up initiated by the falling edge of a recessive (high) to dominant (low) state transition on the LIN bus where the dominant state is held for the t_{LINBUS} filter time. After this t_{LINBUS} filter time has been met and a rising edge on the LIN bus going from dominant state to recessive state initiates a remote wake-up event eliminating false wake ups from disturbances on the LIN bus or if the bus is shorted to ground.
- Local wake-up through EN being set high for longer than t_{EN} .

9.4.4.1 Wake-Up Request (RXD)

When the TLIN1028-Q1 encounters a wake-up event from the LIN bus, RXD goes low and the device transitions to standby mode until EN is reasserted high and the device enters normal mode. Once the device enters normal mode, the RXD pin releases the wake-up request signal and the RXD pin then reflects the receiver output from the LIN bus.

9.4.5 Mode Transitions

When the device is transitioning between modes, the device needs the time t_{MODE_CHANGE} and t_{NOMINT} to allow the change to fully propagate from the EN pin through the device into the new state.

9.4.6 Voltage Regulator

The device has an integrated high-voltage LDO that operates over a 5.5 V to 28 V input voltage range for both 3.3 V and 5 V V_{CC} . The device has an output current capability of 70 mA and 125 mA depending upon package and support fixed output voltages of 3.3 V (TLIN10283-Q1) or 5 V (TLIN10285-Q1). It features thermal shutdown and short-circuit protection to prevent damage during over-temperature and over-current conditions

9.4.6.1 V_{CC}

The V_{CC} pin is the regulated output based on the required voltage. The regulated voltage accuracy is $\pm 2\%$. The output is current limited. In the event that the regulator drops out of regulation, the output tracks the input minus a drop based on the load current. When the input voltage drops below the UV_{SUP} threshold, the regulator shuts down until the input voltage returns above the UV_{SUPR} level. The device monitors situations where V_{CC} may drop below the UV_{CC} level thus causing the nRST pin to be pulled low.

9.4.6.2 Output Capacitance Selection

For stable operation over the full temperature range and with load currents up to 125 mA on V_{CC} a certain capacitance is expected and depends upon the minimum load current. To support no load to full load a value of 10 μF and ESR smaller than 2 Ω is needed. For 20 μA to full load an 1.5 μF capacitance can be used. The low ESR recommendation is to improve the load transient performance.

9.4.6.3 Low-Voltage Tracking

At low input voltages, the regulator drops out of regulation and the output voltage tracks input minus a voltage based on the load current (IL) and power-switch resistor. This tracking allows for a smaller input capacitance and can possibly eliminate the need for a boost converter during cold-crank conditions.

9.4.6.4 Power Supply Recommendation

The device is designed to operate from an input-voltage supply range between 5.5 V and 28 V. This input supply must be well regulated. If the input supply is located more than a few inches from the device. The recommended minimum capacitance at the pin is 100 nF . The max voltage range is for the LIN functionality. Exceeding 24V for the LDO reduces the effective current sourcing capability due to thermal considerations.

10 Application and Implementation

备注

以下应用部分中的信息不属于 TI 器件规格的范围，TI 不担保其准确性和完整性。TI 的客户应负责确定器件是否适用于其应用。客户应验证并测试其设计，以确保系统功能。

10.1 Application Information

The TLIN1028-Q1 can be used as both a responder device and a commander device in a LIN network. The device comes with the ability to support a remote wake-up requests. It can provide the power to the local processor.

10.2 Typical Application

The device comes with an integrated 45 kΩ pull-up resistor and series diode for responder node applications. For commander node applications, an external 1 kΩ pull-up resistor with series blocking diode can be used. 图 10-1 shows the device being used in both commander and responder node applications.

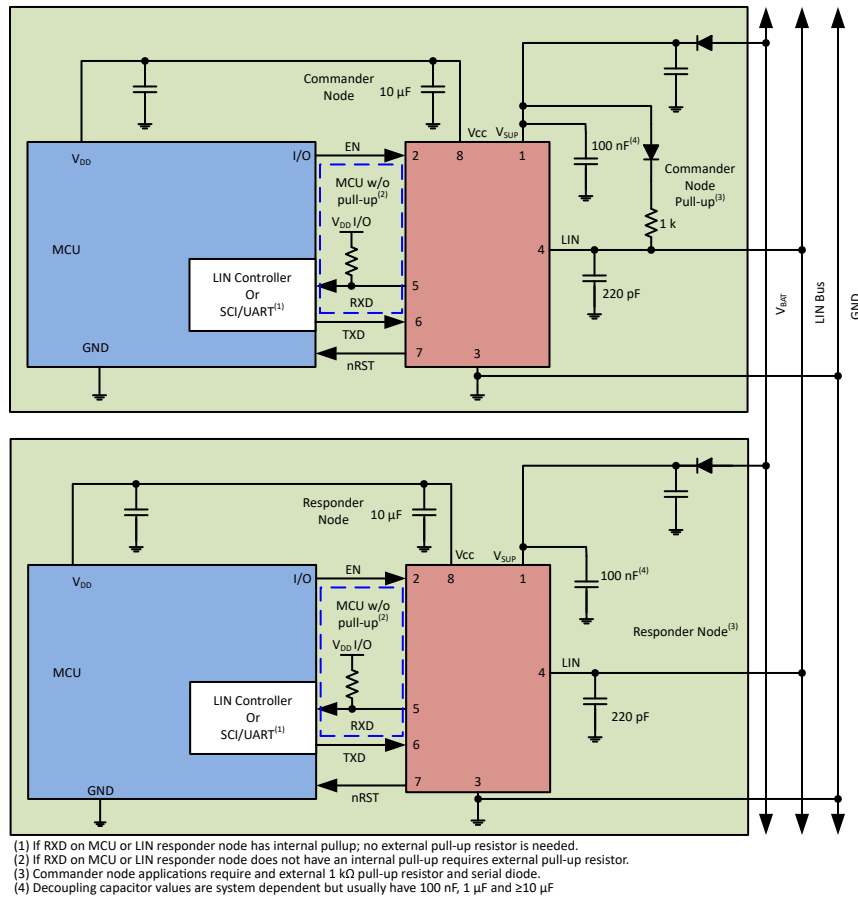


图 10-1. Typical LIN Bus

10.2.1 Design Requirements

10.2.1.1 Normal Mode Application Note

When using the TLIN1028-Q1 in systems which are monitoring the RXD pin for a wake-up request, special care should be taken during the mode transitions. The output of the RXD pin is indeterminate for the transition period between states as the receivers are switched. The application software should not look for an edge on the RXD pin indicating a wake-up request until $t_{\text{MODE_CHANGE}}$. This is shown in [Figure 8-15](#) when transitioning to normal mode there is an initialization period shown as t_{NOMINIT} .

10.2.1.2 TXD Dominant State Timeout Application Note

The maximum dominant TXD time allowed by the TXD dominant state time out limits the minimum possible data rate of the device. The LIN protocol has different constraints for commander and responder node applications; thus, there are different maximum consecutive dominant bits for each application case and thus different minimum data rates.

10.2.1.3 Brownout

[Figure 10-17](#) and [Figure 10-18](#) show the behavior of the LIN, nRST and V_{CC} pins during a brownout condition. For the TLIN10283-Q1, V_{SUP} down to ~ 2.24 V has results as shown. For the TLIN10285-Q1, V_{SUP} down to ~ 2.63 V has results as shown. When V_{SUP} drops below these levels the signals are indeterminate.

10.2.2 Detailed Design Procedures

For processors or LIN responder nodes with an internal pull-up on RXD, no external pull-up resistor is needed. For processors or LIN responder nodes without internal pull-up on RXD, an external pull-up resistor is required. Commander node applications require an external 1 k Ω pull-up resistor and serial diode.

10.2.3 Application Curves

Characteristic curves below show the LDO performance ramping between 0 V and up to 7 V.

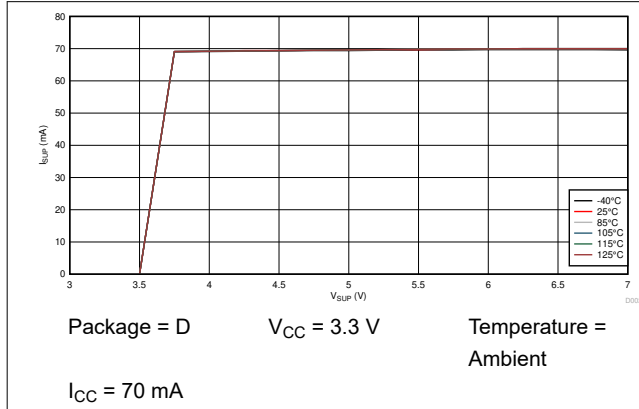


图 10-2. I_{SUP} vs V_{SUP} vs Temperature

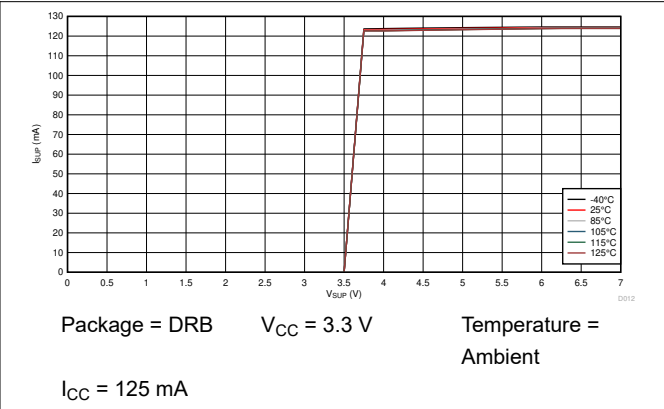


图 10-3. I_{SUP} vs V_{SUP} vs Temperature

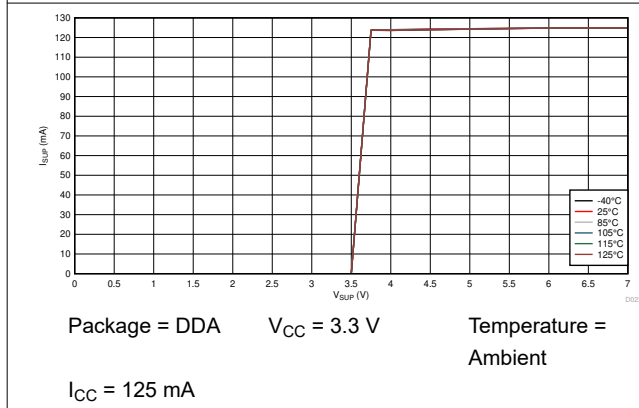


图 10-4. I_{SUP} vs V_{SUP} vs Temperature

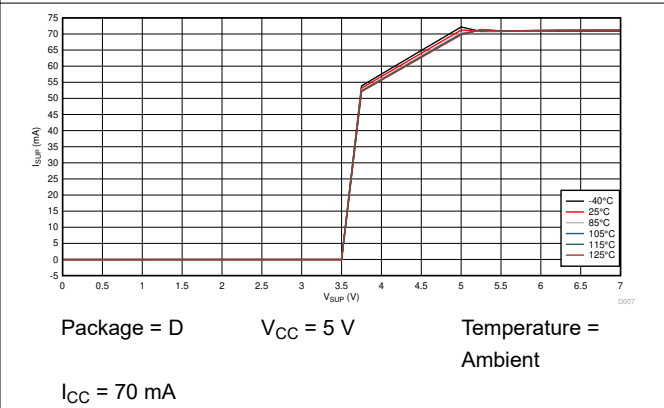


图 10-5. I_{SUP} vs V_{SUP} vs Temperature

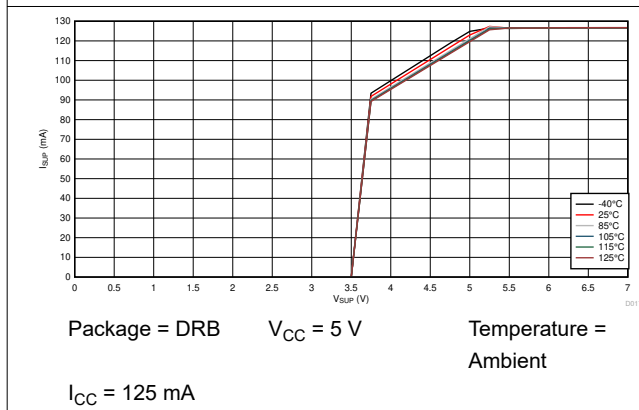


图 10-6. I_{SUP} vs V_{SUP} vs Temperature

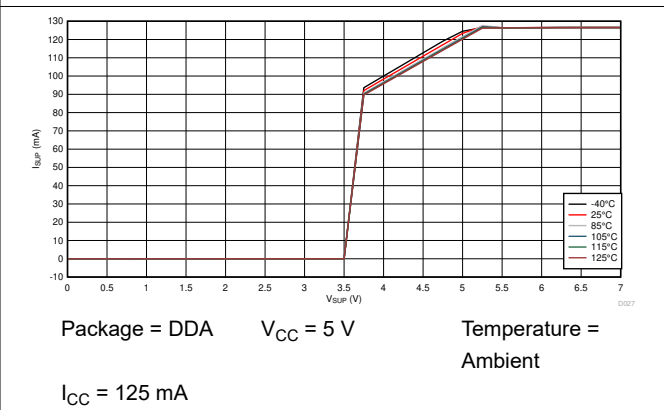
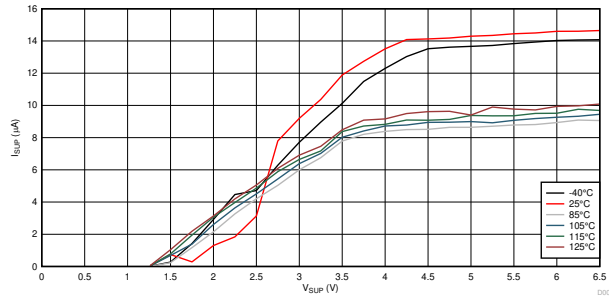
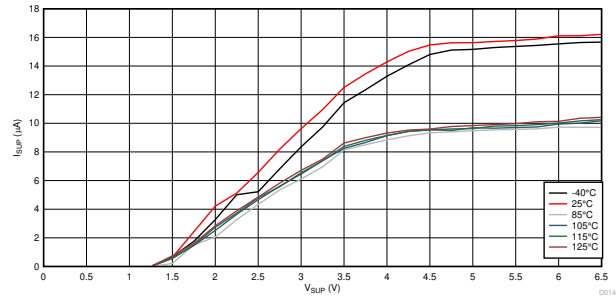


图 10-7. I_{SUP} vs V_{SUP} vs Temperature



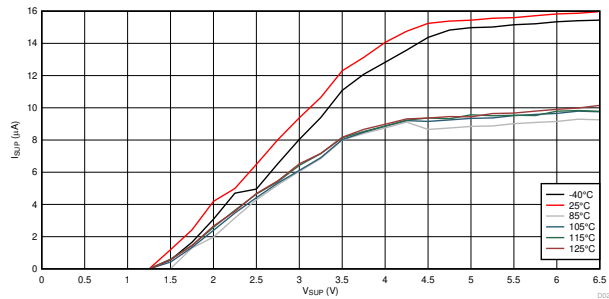
Package = D 3.3 V V_{CC} = Off Temperature = Ambient
Mode = Sleep

图 10-8. I_{SUP} vs V_{SUP} vs Temperature Ramp-down



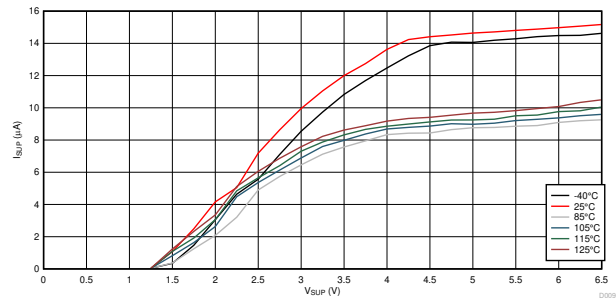
Package = DRB 3.3 V V_{CC} = Off Temperature = Ambient
Mode = Sleep

图 10-9. I_{SUP} vs V_{SUP} vs Temperature Ramp-down



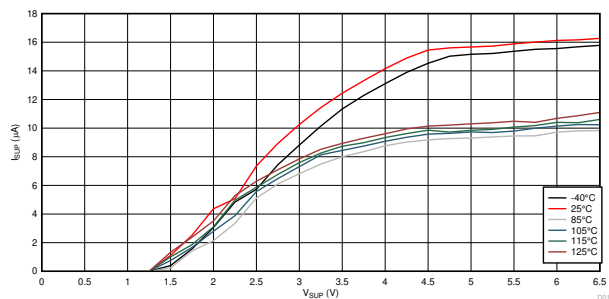
Package = DDA 3.3 V V_{CC} = Off Temperature = Ambient
Mode = Sleep

图 10-10. I_{SUP} vs V_{SUP} vs Temperature Ramp-down



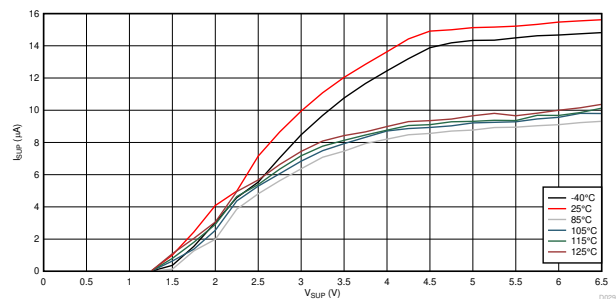
Package = D 5 V V_{CC} = Off Temperature = Ambient
Mode = Sleep

图 10-11. I_{SUP} vs V_{SUP} vs Temperature Ramp-down



Package = DRB 5 V V_{CC} = Off Temperature = Ambient
Mode = Sleep

图 10-12. I_{SUP} vs V_{SUP} vs Temperature Ramp-down



Package = DDA 5 V V_{CC} = Off Temperature = Ambient
Mode = Sleep

图 10-13. I_{SUP} vs V_{SUP} vs Temperature Ramp-down

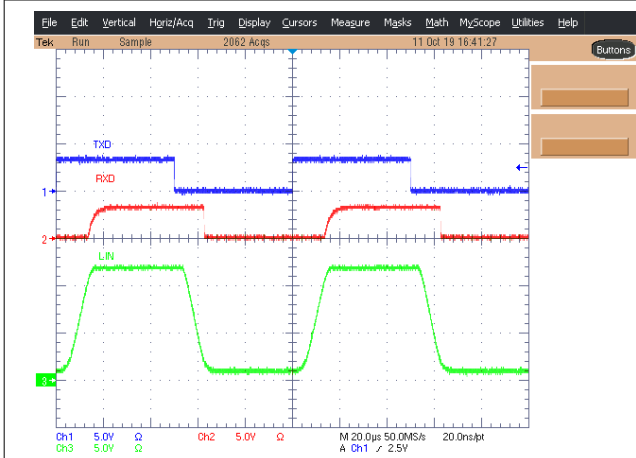


图 10-14. LIN Bus Performance

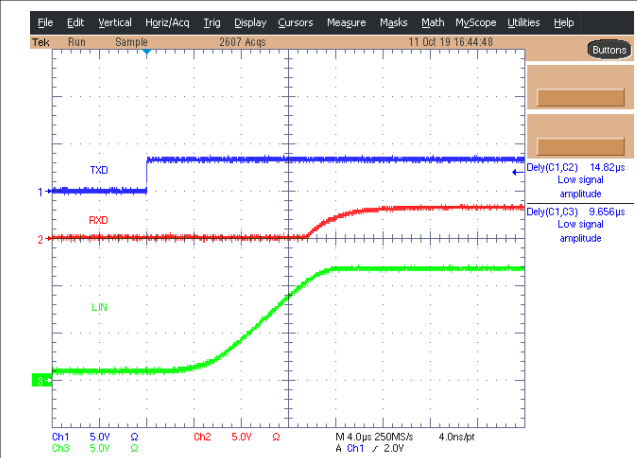


图 10-15. Dominant to Recessive Propagation Delay

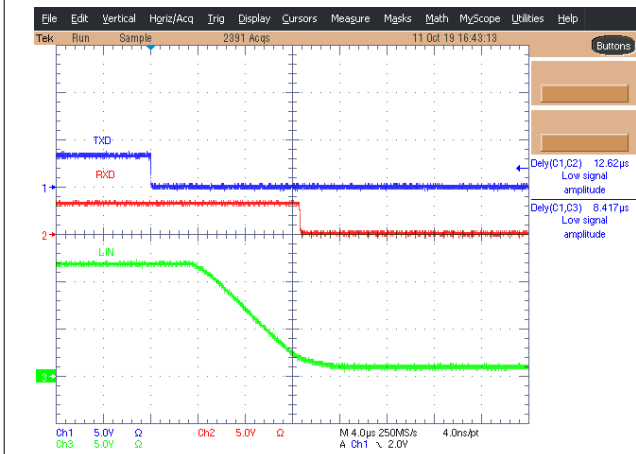


图 10-16. Recessive to Dominant Propagation Delay

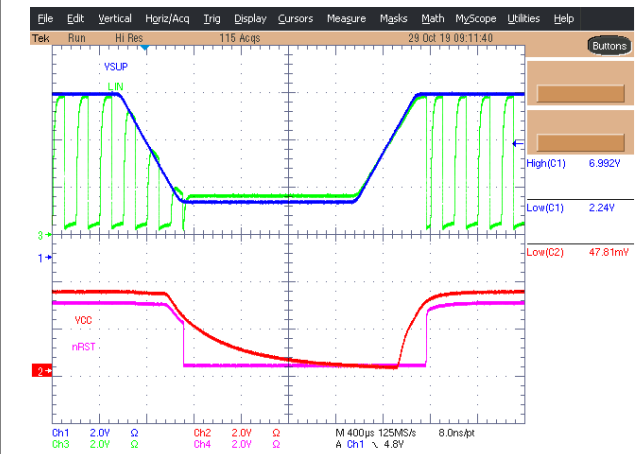


图 10-17. TLIN10283-Q1 Brownout

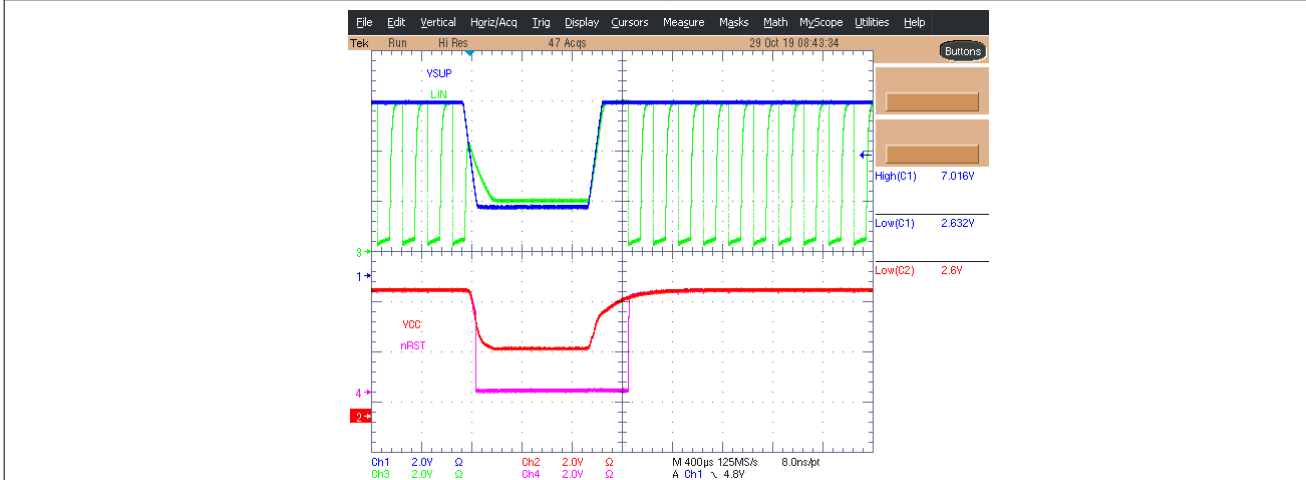


图 10-18. TLIN10285-Q1 Brownout

11 Power Supply Recommendations

The TLIN1028-Q1 was designed to operate directly off a car battery, or any other DC supply ranging from 5.5 V to 28 V . A 100 nF decoupling capacitor should be placed as close to the V_{SUP} pin of the device as possible. For applications where the device goes from no load to full load, a minimum decoupling capacitance to ground of 10 μ F is recommended when the LDO turns on. If the device is going from 20 μ A to full load then a minimum of 1.5 μ F capacitance is recommended.

12 Layout

PCB design should start with understanding that frequency bandwidth from approximately 3 MHz to 3 GHz is needed thus high frequency layout techniques must be applied during PCB design. Placement at the connector also prevents these noisy events from propagating further into the PCB and system.

12.1 Layout Guidelines

- **Pin 1 (V_{SUP}):** This is the supply pin for the device. A 100 nF decoupling capacitor should be placed as close to the device as possible.
- **Pin 2 (EN):** EN is an input pin that is used to place the device in a low power sleep mode. If this feature is not used, the pin should be pulled high to the regulated voltage supply of the microprocessor through a series resistor, values between 1 kΩ and 10 kΩ. Additionally, a series resistor may be placed on the pin to limit current on the digital lines in the event of an over-voltage fault.
- **Pin 3 (GND):** This is the ground connection for the device. This pin should be tied to the ground plane through a short trace with the use of two vias to limit total return inductance.
- **Pin 4 (LIN):** This pin connects to the LIN bus. For responder node applications, a 220 pF capacitor to ground is implemented. For commander node applications, an additional series resistor and blocking diode should be placed between the LIN pin and the V_{SUP} pin. See [图 10-1](#)
- **Pin 5 (RXD):** The pin is an open-drain output and requires an external pull-up resistor in the range of 1 kΩ to 10 kΩ to function properly. If the microprocessor paired with the transceiver does not have an integrated pull-up, an external pull-up resistor should be placed on RXD. If RXD is connected to the V_{CC} pin a higher pull-up resistor value can be used to reduce standby current.
- **Pin 6 (TXD):** The TXD pin is the transmit input signal to the device from the processors. A series resistor can be placed to limit the input current to the device in the event of an over voltage on this pin. A capacitor to ground can be placed close to the input pin of the device to filter noise.
- **Pin 7 (nRST):** This pin connects to the processors as a reset out.
- **Pin 8 (V_{CC}):** Output source, either 3.3 V or 5 V depending upon the version of the device.

备注

All ground and power connections should be made as short as possible and use at least two vias to minimize the total loop inductance.

12.2 Layout Example

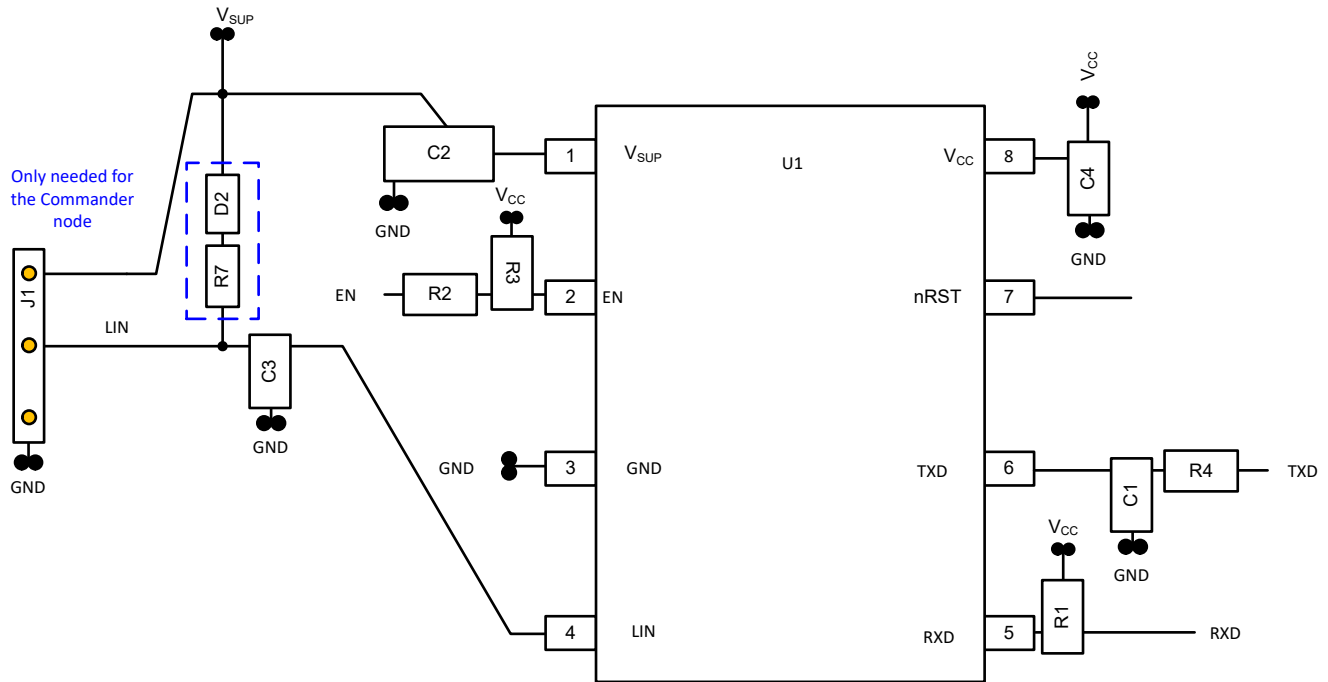


图 12-1. Layout Example

13 Device and Documentation Support

13.1 Documentation Support

13.1.1 Related Documentation

For related documentation see the following:

- LIN Standards:
 - ISO/DIS 17987-1: Road vehicles -- Local Interconnect Network (LIN) -- Part 1: General information and use case definition
 - ISO/DIS 17987-4: Road vehicles -- Local Interconnect Network (LIN) -- Part 4: Electrical Physical Layer (EPL) specification 12V/24V
 - SAE J2602-1: LIN Network for Vehicle Applications
 - LIN2.0, LIN2.1, LIN2.2 and LIN2.2A specification
- EMC requirements:
 - SAE J2962-2: TBD
 - HW Requirements for CAN, LIN, FR V1.3: German OEM requirements for LIN
 - ISO 10605: Road vehicles - Test methods for electrical disturbances from electrostatic discharge
 - ISO 11452-4:2011: Road vehicles - Component test methods for electrical disturbances from narrowband radiated electromagnetic energy - Part 4: Harness excitation methods
 - ISO 7637-1:2015: Road vehicles - Electrical disturbances from conduction and coupling - Part 1: Definitions and general considerations
 - ISO 7637-3: Road vehicles - Electrical disturbances from conduction and coupling - Part 3: Electrical transient transmission by capacitive and inductive coupling via lines other than supply lines
 - IEC 62132-4:2006: Integrated circuits - Measurement of electromagnetic immunity 150 kHz to 1 GHz - Part 4: Direct RF power injection method
 - IEC 61967-4
 - CISPR25
- Conformance Test requirements:
 - ISO/DIS 17987-7: Road vehicles -- Local Interconnect Network (LIN) -- Part 7: Electrical Physical Layer (EPL) conformance test specification
 - SAE J2602-2: LIN Network for Vehicle Applications Conformance Test

[TLINx441 LDO Performance, SLLA427](#)

13.2 Related Links

The table below lists quick access links. Categories include technical documents, support and community resources, tools and software, and quick access to order now.

13.3 接收文档更新通知

要接收文档更新通知，请导航至 ti.com 上的器件产品文件夹。点击 [订阅更新](#) 进行注册，即可每周接收产品信息更改摘要。有关更改的详细信息，请查看任何已修订文档中包含的修订历史记录。

13.4 支持资源

[TI E2E™ 支持论坛](#) 是工程师的重要参考资料，可直接从专家获得快速、经过验证的解答和设计帮助。搜索现有解答或提出自己的问题可获得所需的快速设计帮助。

链接的内容由各个贡献者“按原样”提供。这些内容并不构成 TI 技术规范，并且不一定反映 TI 的观点；请参阅 TI 的 [《使用条款》](#)。

13.5 Trademarks

TI E2E™ is a trademark of Texas Instruments.

所有商标均为其各自所有者的财产。

13.6 Electrostatic Discharge Caution



This integrated circuit can be damaged by ESD. Texas Instruments recommends that all integrated circuits be handled with appropriate precautions. Failure to observe proper handling and installation procedures can cause damage.

ESD damage can range from subtle performance degradation to complete device failure. Precision integrated circuits may be more susceptible to damage because very small parametric changes could cause the device not to meet its published specifications.

13.7 术语表

TI 术语表

本术语表列出并解释了术语、首字母缩略词和定义。

14 Mechanical, Packaging, and Orderable Information

The following pages include mechanical, packaging, and orderable information. This information is the most current data available for the designated devices. This data is subject to change without notice and revision of this document. For browser-based versions of this data sheet, refer to the left-hand navigation.

PACKAGING INFORMATION

Orderable Device	Status (1)	Package Type	Package Drawing	Pins	Package Qty	Eco Plan (2)	Lead finish/ Ball material (6)	MSL Peak Temp (3)	Op Temp (°C)	Device Marking (4/5)	Samples
TLIN10283DDARQ1	ACTIVE	SO PowerPAD	DDA	8	2500	RoHS & Green	NIPDAUAG	Level-2-260C-1 YEAR	-40 to 125	TLN83	Samples
TLIN10283DRBRQ1	ACTIVE	SON	DRB	8	3000	RoHS & Green	NIPDAU	Level-2-260C-1 YEAR	-40 to 125	TLN83	Samples
TLIN10283DRQ1	ACTIVE	SOIC	D	8	2500	RoHS & Green	NIPDAU	Level-1-260C-UNLIM	-40 to 125	TLN83	Samples
TLIN10285DDARQ1	ACTIVE	SO PowerPAD	DDA	8	2500	RoHS & Green	NIPDAUAG	Level-2-260C-1 YEAR	-40 to 125	TLN85	Samples
TLIN10285DRBRQ1	ACTIVE	SON	DRB	8	3000	RoHS & Green	NIPDAU	Level-2-260C-1 YEAR	-40 to 125	TLN85	Samples
TLIN10285DRQ1	ACTIVE	SOIC	D	8	2500	RoHS & Green	NIPDAU	Level-1-260C-UNLIM	-40 to 125	TLN85	Samples

(1) The marketing status values are defined as follows:

ACTIVE: Product device recommended for new designs.

LIFEBUY: TI has announced that the device will be discontinued, and a lifetime-buy period is in effect.

NRND: Not recommended for new designs. Device is in production to support existing customers, but TI does not recommend using this part in a new design.

PREVIEW: Device has been announced but is not in production. Samples may or may not be available.

OBSOLETE: TI has discontinued the production of the device.

(2) **RoHS:** TI defines "RoHS" to mean semiconductor products that are compliant with the current EU RoHS requirements for all 10 RoHS substances, including the requirement that RoHS substance do not exceed 0.1% by weight in homogeneous materials. Where designed to be soldered at high temperatures, "RoHS" products are suitable for use in specified lead-free processes. TI may reference these types of products as "Pb-Free".

RoHS Exempt: TI defines "RoHS Exempt" to mean products that contain lead but are compliant with EU RoHS pursuant to a specific EU RoHS exemption.

Green: TI defines "Green" to mean the content of Chlorine (Cl) and Bromine (Br) based flame retardants meet JS709B low halogen requirements of <=1000ppm threshold. Antimony trioxide based flame retardants must also meet the <=1000ppm threshold requirement.

(3) MSL, Peak Temp. - The Moisture Sensitivity Level rating according to the JEDEC industry standard classifications, and peak solder temperature.

(4) There may be additional marking, which relates to the logo, the lot trace code information, or the environmental category on the device.

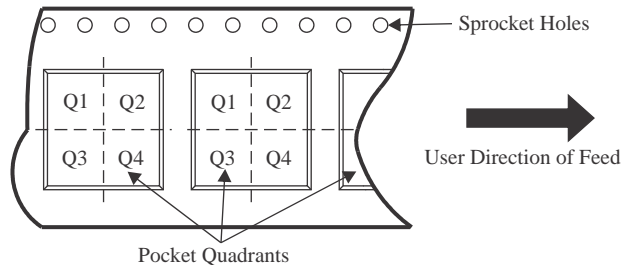
(5) Multiple Device Markings will be inside parentheses. Only one Device Marking contained in parentheses and separated by a "~" will appear on a device. If a line is indented then it is a continuation of the previous line and the two combined represent the entire Device Marking for that device.

(6) Lead finish/Ball material - Orderable Devices may have multiple material finish options. Finish options are separated by a vertical ruled line. Lead finish/Ball material values may wrap to two lines if the finish value exceeds the maximum column width.

Important Information and Disclaimer: The information provided on this page represents TI's knowledge and belief as of the date that it is provided. TI bases its knowledge and belief on information provided by third parties, and makes no representation or warranty as to the accuracy of such information. Efforts are underway to better integrate information from third parties. TI has taken and continues to take reasonable steps to provide representative and accurate information but may not have conducted destructive testing or chemical analysis on incoming materials and chemicals. TI and TI suppliers consider certain information to be proprietary, and thus CAS numbers and other limited information may not be available for release.

In no event shall TI's liability arising out of such information exceed the total purchase price of the TI part(s) at issue in this document sold by TI to Customer on an annual basis.

TAPE AND REEL INFORMATION

QUADRANT ASSIGNMENTS FOR PIN 1 ORIENTATION IN TAPE


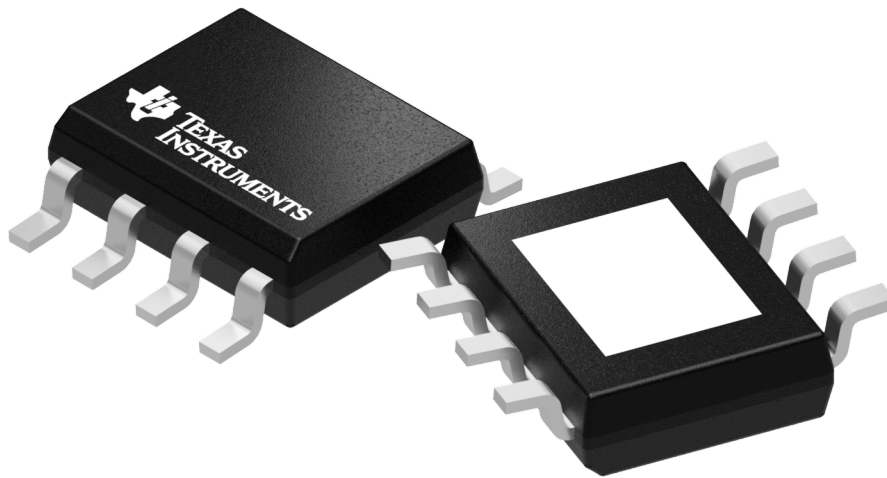
*All dimensions are nominal

Device	Package Type	Package Drawing	Pins	SPQ	Reel Diameter (mm)	Reel Width W1 (mm)	A0 (mm)	B0 (mm)	K0 (mm)	P1 (mm)	W (mm)	Pin1 Quadrant
TLIN10283DDARQ1	SO PowerPAD	DDA	8	2500	330.0	12.8	6.4	5.2	2.1	8.0	12.0	Q1
TLIN10283DRBRQ1	SON	DRB	8	3000	330.0	12.4	3.3	3.3	1.1	8.0	12.0	Q1
TLIN10283DRQ1	SOIC	D	8	2500	330.0	12.4	6.4	5.2	2.1	8.0	12.0	Q1
TLIN10285DDARQ1	SO PowerPAD	DDA	8	2500	330.0	12.8	6.4	5.2	2.1	8.0	12.0	Q1
TLIN10285DRBRQ1	SON	DRB	8	3000	330.0	12.4	3.3	3.3	1.1	8.0	12.0	Q1
TLIN10285DRQ1	SOIC	D	8	2500	330.0	12.4	6.4	5.2	2.1	8.0	12.0	Q1

TAPE AND REEL BOX DIMENSIONS


*All dimensions are nominal

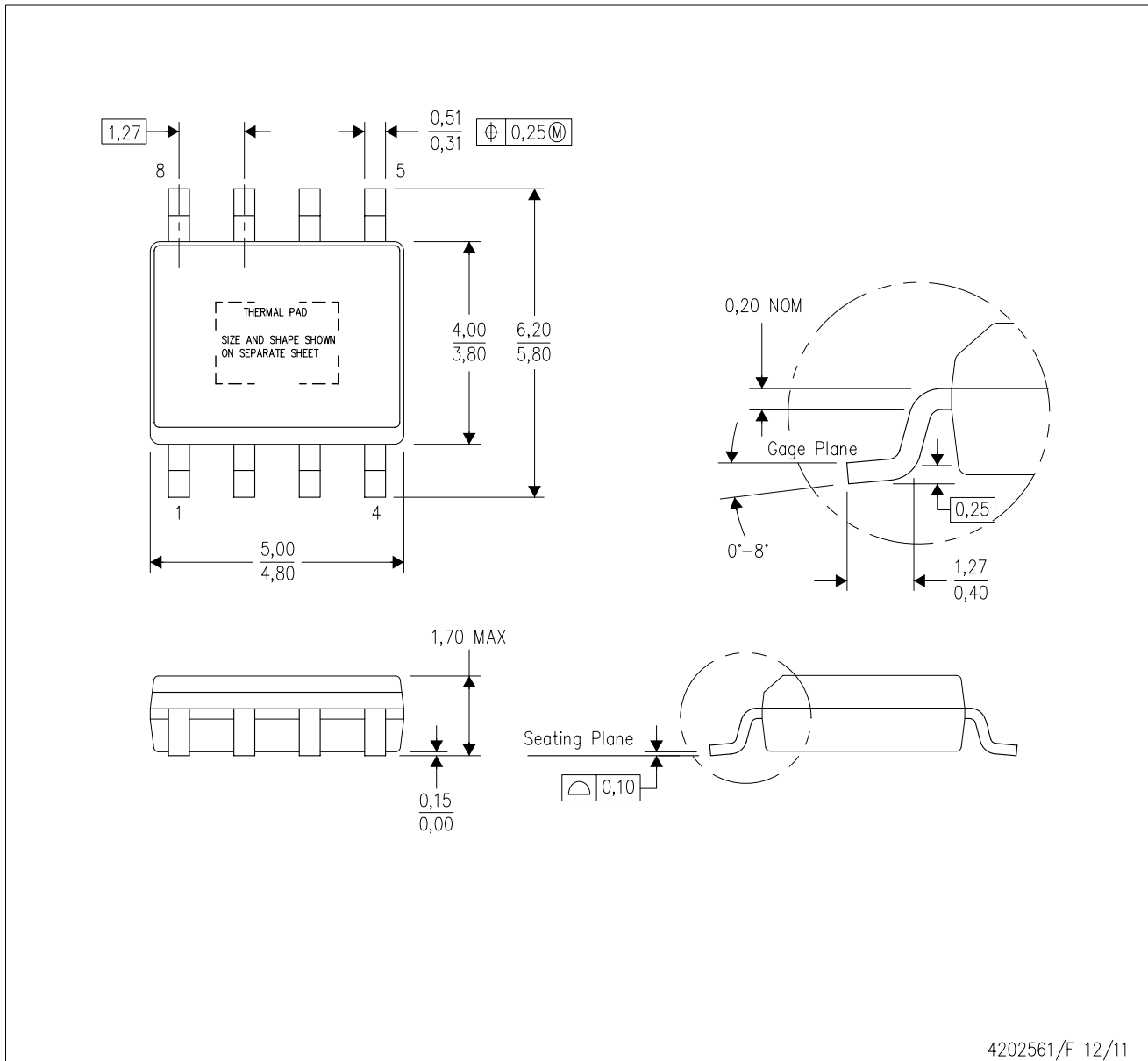
Device	Package Type	Package Drawing	Pins	SPQ	Length (mm)	Width (mm)	Height (mm)
TLIN10283DDARQ1	SO PowerPAD	DDA	8	2500	366.0	364.0	50.0
TLIN10283DRBRQ1	SON	DRB	8	3000	367.0	367.0	35.0
TLIN10283DRQ1	SOIC	D	8	2500	356.0	356.0	35.0
TLIN10285DDARQ1	SO PowerPAD	DDA	8	2500	366.0	364.0	50.0
TLIN10285DRBRQ1	SON	DRB	8	3000	367.0	367.0	35.0
TLIN10285DRQ1	SOIC	D	8	2500	356.0	356.0	35.0



Images above are just a representation of the package family, actual package may vary.
Refer to the product data sheet for package details.

DDA (R-PDSO-G8)

PowerPAD™ PLASTIC SMALL-OUTLINE



4202561/F 12/11

- NOTES:
- All linear dimensions are in millimeters. Dimensioning and tolerancing per ASME Y14.5-1994.
 - This drawing is subject to change without notice.
 - Body dimensions do not include mold flash or protrusion not to exceed 0,15.
 - This package is designed to be soldered to a thermal pad on the board. Refer to Technical Brief, PowerPad Thermally Enhanced Package, Texas Instruments Literature No. SLMA002 for information regarding recommended board layout. This document is available at www.ti.com <<http://www.ti.com>>.
 - See the additional figure in the Product Data Sheet for details regarding the exposed thermal pad features and dimensions.
 - This package complies to JEDEC MS-012 variation BA

PowerPAD is a trademark of Texas Instruments.

DDA (R-PDSO-G8)

PowerPAD™ PLASTIC SMALL OUTLINE

THERMAL INFORMATION

This PowerPAD™ package incorporates an exposed thermal pad that is designed to be attached to a printed circuit board (PCB). The thermal pad must be soldered directly to the PCB. After soldering, the PCB can be used as a heatsink. In addition, through the use of thermal vias, the thermal pad can be attached directly to the appropriate copper plane shown in the electrical schematic for the device, or alternatively, can be attached to a special heatsink structure designed into the PCB. This design optimizes the heat transfer from the integrated circuit (IC).

For additional information on the PowerPAD package and how to take advantage of its heat dissipating abilities, refer to Technical Brief, PowerPAD Thermally Enhanced Package, Texas Instruments Literature No. SLMA002 and Application Brief, PowerPAD Made Easy, Texas Instruments Literature No. SLMA004. Both documents are available at www.ti.com.

The exposed thermal pad dimensions for this package are shown in the following illustration.

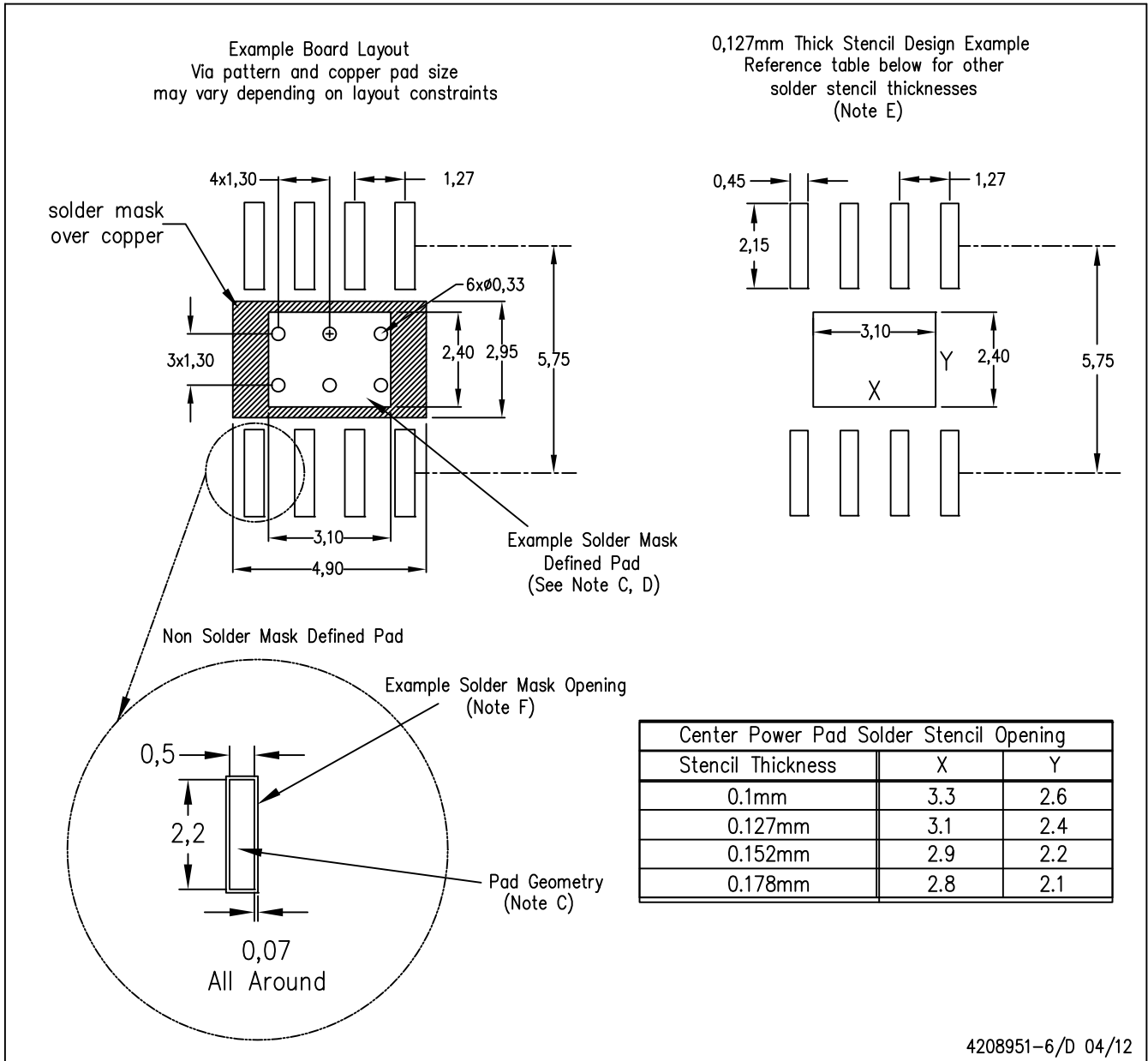


Exposed Thermal Pad Dimensions

4206322-6/L 05/12

NOTE: A. All linear dimensions are in millimeters

PowerPAD is a trademark of Texas Instruments



- NOTES:
- A. All linear dimensions are in millimeters.
 - B. This drawing is subject to change without notice.
 - C. Publication IPC-7351 is recommended for alternate designs.
 - D. This package is designed to be soldered to a thermal pad on the board. Refer to Technical Brief, PowerPAD Thermally Enhanced Package, Texas Instruments Literature No. SLMA002, SLMA004, and also the Product Data Sheets for specific thermal information, via requirements, and recommended board layout. These documents are available at www.ti.com <<http://www.ti.com>>. Publication IPC-7351 is recommended for alternate designs.
 - E. Laser cutting apertures with trapezoidal walls and also rounding corners will offer better paste release. Customers should contact their board assembly site for stencil design recommendations. Example stencil design based on a 50% volumetric metal load solder paste. Refer to IPC-7525 for other stencil recommendations.
 - F. Customers should contact their board fabrication site for solder mask tolerances between and around signal pads.

PowerPAD is a trademark of Texas Instruments.



D0008A

PACKAGE OUTLINE

SOIC - 1.75 mm max height

SMALL OUTLINE INTEGRATED CIRCUIT



4214825/C 02/2019

NOTES:

- Linear dimensions are in inches [millimeters]. Dimensions in parenthesis are for reference only. Controlling dimensions are in inches. Dimensioning and tolerancing per ASME Y14.5M.
- This drawing is subject to change without notice.
- This dimension does not include mold flash, protrusions, or gate burrs. Mold flash, protrusions, or gate burrs shall not exceed $.006$ [0.15] per side.
- This dimension does not include interlead flash.
- Reference JEDEC registration MS-012, variation AA.

EXAMPLE BOARD LAYOUT

D0008A

SOIC - 1.75 mm max height

SMALL OUTLINE INTEGRATED CIRCUIT



LAND PATTERN EXAMPLE
 EXPOSED METAL SHOWN
 SCALE:8X



SOLDER MASK DETAILS

4214825/C 02/2019

NOTES: (continued)

- 6. Publication IPC-7351 may have alternate designs.
- 7. Solder mask tolerances between and around signal pads can vary based on board fabrication site.

EXAMPLE STENCIL DESIGN

D0008A

SOIC - 1.75 mm max height

SMALL OUTLINE INTEGRATED CIRCUIT



SOLDER PASTE EXAMPLE
BASED ON .005 INCH [0.125 MM] THICK STENCIL
SCALE:8X

4214825/C 02/2019

NOTES: (continued)

8. Laser cutting apertures with trapezoidal walls and rounded corners may offer better paste release. IPC-7525 may have alternate design recommendations.
9. Board assembly site may have different recommendations for stencil design.

DRB 8

GENERIC PACKAGE VIEW

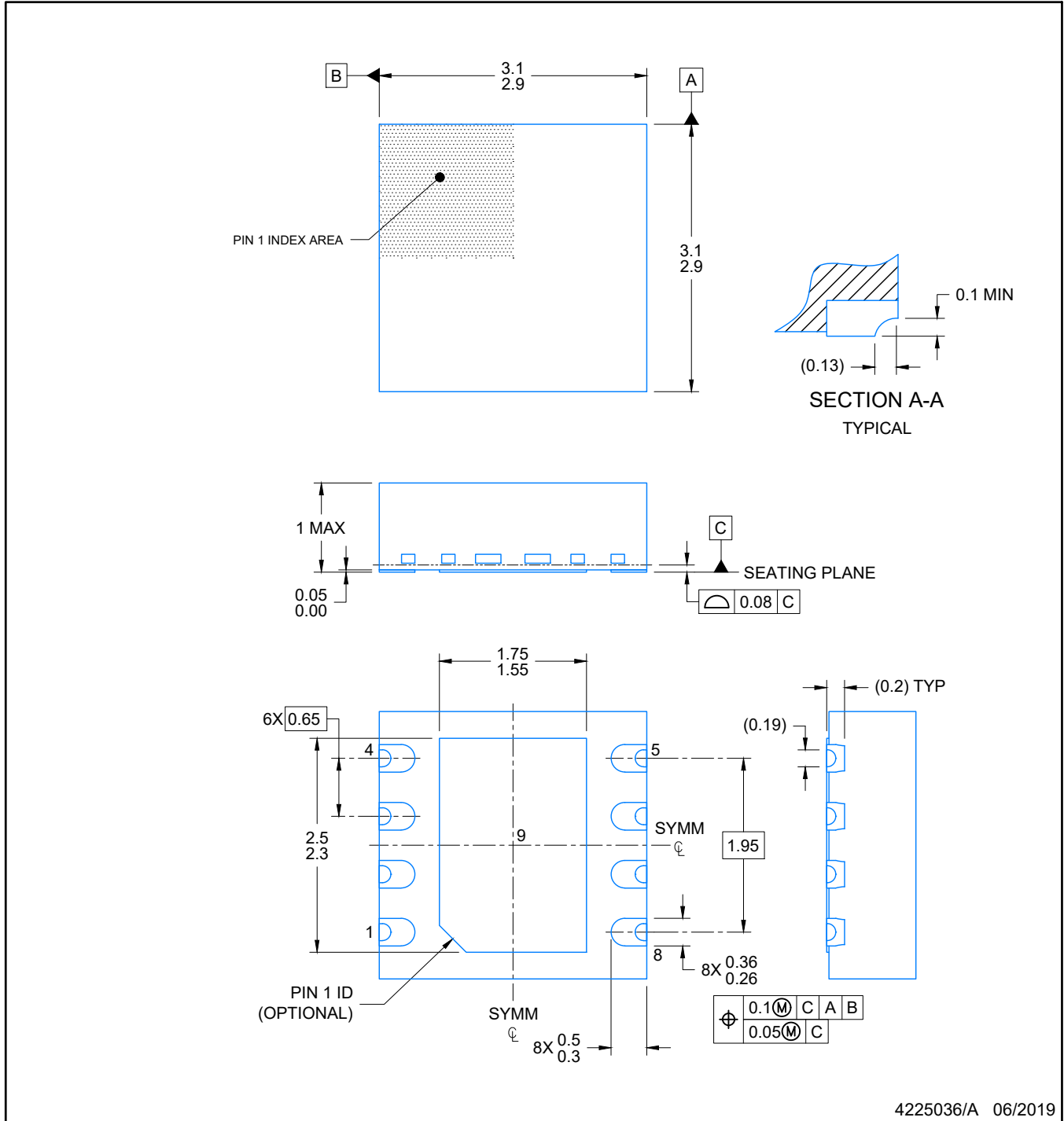
VSON - 1 mm max height

PLASTIC SMALL OUTLINE - NO LEAD



Images above are just a representation of the package family, actual package may vary.
Refer to the product data sheet for package details.

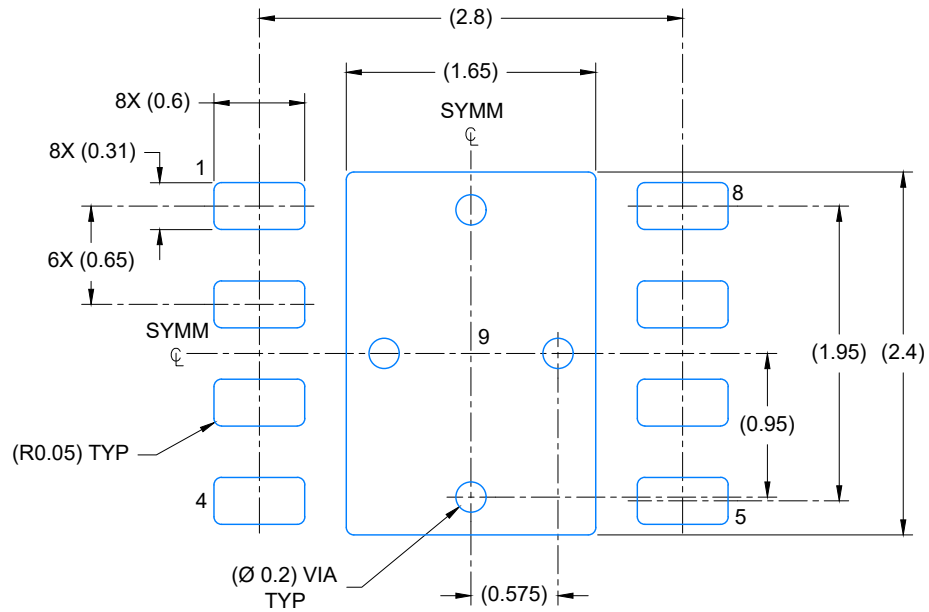
4203482/L



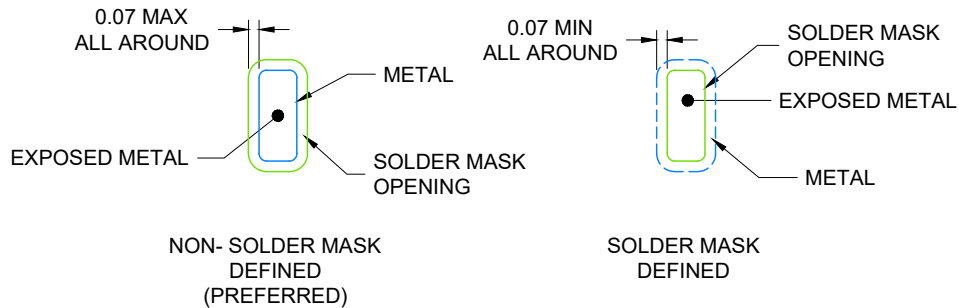
4225036/A 06/2019

NOTES:

1. All linear dimensions are in millimeters. Any dimensions in parenthesis are for reference only. Dimensioning and tolerancing per ASME Y14.5M.
2. This drawing is subject to change without notice.
3. The package thermal pad must be soldered to the printed circuit board for optimal thermal and mechanical performance.



LAND PATTERN EXAMPLE
EXPOSED METAL SHOWN
SCALE: 20X

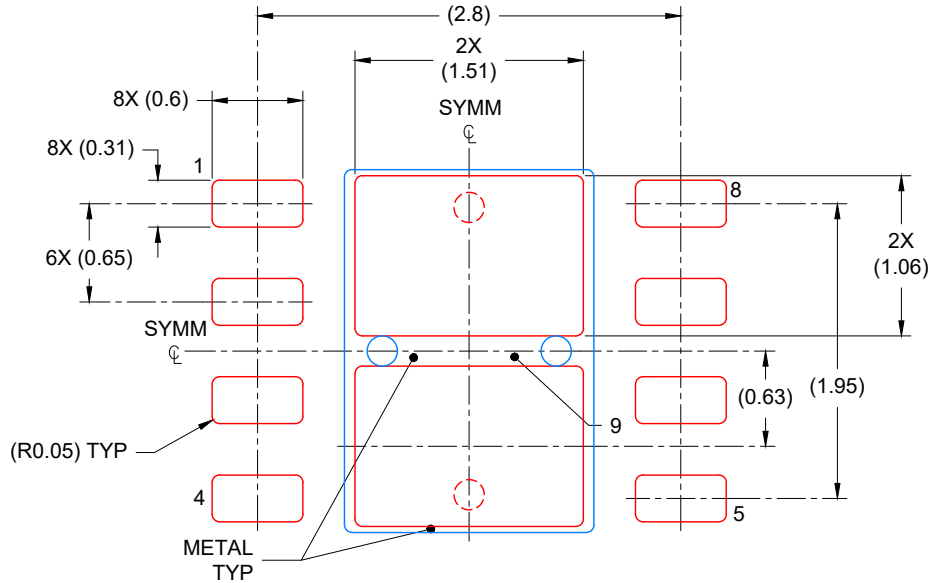


SOLDER MASK DETAILS

4225036/A 06/2019

NOTES: (continued)

4. This package is designed to be soldered to a thermal pad on the board. For more information, see Texas Instruments literature number SLUA271 (www.ti.com/lit/slua271).
5. Vias are optional depending on application, refer to device data sheet. If any vias are implemented, refer to their locations shown on this view. It is recommended that vias under paste be filled, plugged or tented.



SOLDER PASTE EXAMPLE
 BASED ON 0.125 mm THICK STENCIL

EXPOSED PAD
 81% PRINTED COVERAGE BY AREA
 SCALE: 20X

4225036/A 06/2019

NOTES: (continued)

6. Laser cutting apertures with trapezoidal walls and rounded corners may offer better paste release. IPC-7525 may have alternate design recommendations.

重要声明和免责声明

TI“按原样”提供技术和可靠性数据（包括数据表）、设计资源（包括参考设计）、应用或其他设计建议、网络工具、安全信息和其他资源，不保证没有瑕疵且不做任何明示或暗示的担保，包括但不限于对适销性、某特定用途方面的适用性或不侵犯任何第三方知识产权的暗示担保。

这些资源可供使用 TI 产品进行设计的熟练开发人员使用。您将自行承担以下全部责任：(1) 针对您的应用选择合适的 TI 产品，(2) 设计、验证并测试您的应用，(3) 确保您的应用满足相应标准以及任何其他功能安全、信息安全、监管或其他要求。

这些资源如有变更，恕不另行通知。TI 授权您仅可将这些资源用于研发本资源所述的 TI 产品的应用。严禁对这些资源进行其他复制或展示。您无权使用任何其他 TI 知识产权或任何第三方知识产权。您应全额赔偿因在这些资源的使用中对 TI 及其代表造成的任何索赔、损害、成本、损失和债务，TI 对此概不负责。

TI 提供的产品受 [TI 的销售条款](#) 或 [ti.com](#) 上其他适用条款/TI 产品随附的其他适用条款的约束。TI 提供这些资源并不会扩展或以其他方式更改 TI 针对 TI 产品发布的适用的担保或担保免责声明。

TI 反对并拒绝您可能提出的任何其他或不同的条款。

邮寄地址：Texas Instruments, Post Office Box 655303, Dallas, Texas 75265

Copyright © 2022，德州仪器 (TI) 公司

X-ON Electronics

Largest Supplier of Electrical and Electronic Components

Click to view similar products for [LIN Transceivers](#) category:

Click to view products by [Texas Instruments](#) manufacturer:

Other Similar products are found below :

[16-213SDRC-S530-A6-TR8](#) [ATA663211-GBQW](#) [MC33911BACR2](#) [ATA663254-GBQW](#) [TJA1021AT/0Z](#) [SIT1027QT](#) [SIT1021QT/1](#)
[SIT1027QTK](#) [TLE7258SJ](#) [SIT1029QT](#) [SIT1028QT/3V3](#) [SIT1028QTK/5V0](#) [MCP2021AT-500E/MD](#) [ATA663231-GBQW](#) [SIT1021NQT](#)
[SIT1029QTK](#) [CA-IF1021S-Q1](#) [SIT1022QT](#) [SIT1028QT/5V0](#) [SIT1021QTK/1](#) [CA-IF10285S-Q1](#) [SIT1022QTK](#) [ATA663254-GAQW](#)
[SIT1024QHG](#) [SIT1021NQTK](#) [BIN1021S-C](#) [CA-IF10283S-Q1](#) [MC33662JEFR2](#) [MC33662LEFR2](#) [MCP2021-500E/P](#) [MCP2021A-500EMD](#)
[TLE7257SJXUMA1](#) [TLE7259-3GE](#) [TJA1028TK/5V0/20,1](#) [TLE8457ALEXUMA1](#) [TJA1028T5V010,11](#) [NCV7321D12R2G](#) [MCP2021P-](#)
[330E/MD](#) [MCP2021P-330E/SN](#) [MCP2004T-E/SN](#) [NCV7321MW2R2G](#) [MCP2022P-330E/SL](#) [SIT1028QTK/3V3](#) [SIT1021QTK](#) [TLE7257SJ](#)
[MC33911G5AC](#) [MC33912G5AC](#) [TJA1028T5V0201J](#) [MD-012HRL](#) [MD-002HRL](#)