

## TLIN1029-Q1 具有显性状态超时、LIN 收发器

### 1 特性

- 符合面向汽车应用的 AEC-Q100 标准
  - 温度等级 1：-40°C 至 125°C T<sub>A</sub>
  - 器件 HBM 认证等级：±8kV
  - 器件 CDM 认证等级：±1.5kV
- 符合 LIN 2.0、LIN 2.1、LIN 2.2、LIN 2.2A 和 ISO/DIS 17987-4.2 标准 (请参阅 [SLLA490](#))
- 符合适用于 LIN 的 SAE J2602 推荐实践的要求 (请参阅 [SLLA490](#))
- 支持 ISO 9141 (K-Line)
- 支持 12V 应用
- LIN 传输数据速率高达 20 kbps
- 宽工作范围
  - 4V 至 36V 电源电压
  - ±45V LIN 总线故障保护
- 休眠模式：超低电流消耗支持以下类型的唤醒事件：
  - LIN 总线
  - 通过 EN 引脚进行的本地唤醒
- 上电和断电无干扰运行
- 保护特性：
  - V<sub>SUP</sub> 欠压保护
  - TXD 显性超时 (DTO) 保护
  - 热关断保护
  - 系统级未供电节点或接地断开失效防护。
- 采用 SOIC (8) 和无引线 VSON (8) 封装，提高了自动光学检测 (AOI) 能力

### 2 应用

- 车身电子装置和照明
- 信息娱乐系统与仪表盘
- 混合动力电动汽车和动力总成系统
- 被动安全
- 电器

### 3 说明

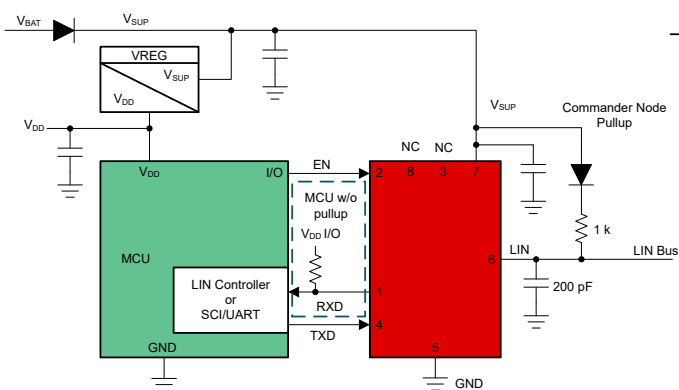
TLIN1029-Q1 是一款本地互连网络 (LIN) 物理层收发器，集成了唤醒和保护功能，兼容 LIN 2.0、LIN 2.1、LIN 2.2、LIN 2.2 A 和 ISO/DIS 17987 - 4.2 标准。LIN 是一种单线双向总线，通常用于数据传输速率高达 20 kbps 的车载网络。TLIN1029-Q1 旨在为 12V 应用提供支持，具有更宽的工作电压范围和额外的总线故障保护。

LIN 接收器支持高达 100 kbps 的数据传输速率，从而更快地执行内联编程。TLIN1029-Q1 使用一个可降低电磁辐射 (EME) 的限流波形整形驱动器将 TXD 输入上的数据流转化为 LIN 总线信号。接收器将数据流转化为逻辑电平信号，此信号通过开漏 RXD 引脚发送到微处理器。休眠模式可实现超低电流消耗，该模式允许通过 LIN 总线或 EN 引脚实现唤醒。

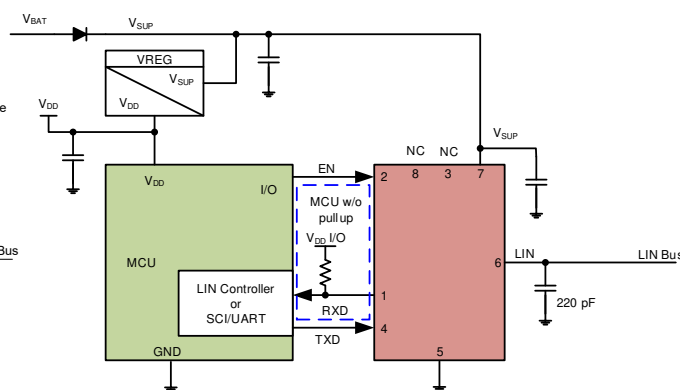
#### 器件信息

| 器件型号        | 封装 <sup>(1)</sup> | 封装尺寸 (标称值)      |
|-------------|-------------------|-----------------|
| TLIN1029-Q1 | SOIC (D) (8)      | 4.90mm x 3.91mm |
|             | VSON (DRB) (8)    | 3.00mm x 3.00mm |

(1) 如需了解所有可用封装，请参阅数据表末尾的可订购产品附录。



简化版原理图，指挥官模式



简化版原理图，响应者模式



## Table of Contents

|  |    |  |    |
|--|----|--|----|
| <b>1 特性</b> .....                                | 1  | 9.2 Functional Block Diagram.....                                | 22 |
| <b>2 应用</b> .....                                | 1  | 9.3 Feature Description.....                                     | 22 |
| <b>3 说明</b> .....                                | 1  | 9.4 Device Functional Modes.....                                 | 26 |
| <b>4 Revision History</b> .....                  | 2  | <b>10 Application and Implementation</b> .....                   | 28 |
| <b>5 说明 (续)</b> .....                            | 3  | 10.1 Application Information.....                                | 28 |
| <b>6 Pin Configuration and Functions</b> .....   | 4  | 10.2 Typical Application.....                                    | 28 |
| <b>7 Specifications</b> .....                    | 5  | <b>11 Power Supply Recommendations</b> .....                     | 29 |
| 7.1 Absolute Maximum Ratings.....                | 5  | <b>12 Layout</b> .....   | 30 |
| 7.2 ESD Ratings.....                             | 5  | 12.1 Layout Guidelines.....                                      | 30 |
| 7.3 ESD Ratings - IEC.....                       | 5  | 12.2 Layout Example.....   | 31 |
| 7.4 Thermal Information.....                     | 5  | <b>13 Device and Documentation Support</b> .....                 | 32 |
| 7.5 Recommended Operating Conditions.....        | 6  | 13.1 Documentation Support.....                                  | 32 |
| 7.6 Electrical Characteristics.....              | 6  | 13.2 Receiving Notification of Documentation Updates..           | 32 |
| 7.7 Switching Characteristics.....               | 9  | 13.3 支持资源.....   | 32 |
| 7.8 Timing Requirements.....                     | 10 | 13.4 Trademarks.....   | 32 |
| 7.9 Typical Characteristics.....                 | 11 | 13.5 Electrostatic Discharge Caution.....                        | 33 |
| <b>8 Parameter Measurement Information</b> ..... | 13 | 13.6 术语表.....  | 33 |
| <b>9 Detailed Description</b> .....              | 22 | <b>14 Mechanical, Packaging, and Orderable Information</b> ..... | 33 |
| 9.1 Overview.....                                | 22 |  |    |

## 4 Revision History

注：以前版本的页码可能与当前版本的页码不同

| <b>Changes from Revision E (May 2020) to Revision F (May 2022)</b>   | <b>Page</b> |
|--|-------------|
| • 将提到的所有旧术语实例更改为“指挥官”和“响应者”。.....  | 1           |
| <hr/>  |             |
| <b>Changes from Revision D (March 2020) to Revision E (May 2020)</b>   | <b>Page</b> |
| • 添加了：(参阅 SLLA490)，位于特性列表.....   | 1           |
| • Added：See errata TLIN1029-Q1 and TLIN2029-Q1 Duty Cycle Over $V_{SUP}$ .....   | 9           |
| <hr/>  |             |
| <b>Changes from Revision C (July 2019) to Revision D (March 2020)</b>  | <b>Page</b> |
| • 将 200pF 电容器更改为：220pF，在简化原理图，指挥官模式中.....  | 1           |
| • 将 200pF 电容器更改为：220pF，在简化原理图，响应者模式中.....  | 1           |
| • Changed $V_{LIN}$ from MIN = - 58, MAX = 58 To: MIN = - 60, MAX = 60 in the Absolute Maximum Ratings.....                              | 5           |
| • Changed $C_{LINPIN}$ from MAX = 45 pF To: MAX = 25 pF and added $V_{SUP} = 14$ V for Test Condition in Electrical Characteristics..... | 6           |
| • Changed text From: "... a 200 pF capacitor" To: "... a 220 pF capacitor" For Pin 6 (LIN) in the <i>Layout Guidelines</i> .....         | 30          |
| <hr/>  |             |
| <b>Changes from Revision B (February 2018) to Revision C (July 2019)</b>   | <b>Page</b> |
| • 将 SOIC 封装尺寸从：4.90mm x 6.00mm 更改为 4.90mm x 3.91mm，在器件信息中.....   | 1           |
| • 将 220pF 电容器更改为：200pF，在简化原理图，指挥官模式中.....  | 1           |
| • 将 220pF 电容器更改为：200pF，在简化原理图，响应者模式中.....  | 1           |
| • Changed $V_{LOGIC}$ absolute maximum rating MAX from 5.5 V to 6 V.....   | 5           |
| • Changed the title of 图 10-2 To: Recessive to Dominant Propagation.....   | 29          |
| • Changed the title of 图 10-3 To: Dominant to Recessive Propagation.....   | 29          |
| • Changed text From: "... a 220 pF capacitor" To: "... a 200 pF capacitor" For Pin 6 (LIN) in the <i>Layout Guidelines</i> .....         | 30          |

---

| <b>Changes from Revision A (December 2017) to Revision B (February 2018)</b>                                | <b>Page</b> |
|---|-------------|
| • 在整个数据表中将“特性”和“说明”中的“投诉 LIN 2.0...”更改为“符合 LIN 2.0...” .....  | 1           |
| • Changed From: "complaint to LIN 2.0..." To: "compliant to LIN 2.0..." in the <i>Overview</i> section..... | 22          |

---

| <b>Changes from Revision * (October 2017) to Revision A (December 2017)</b> | <b>Page</b> |
|---|-------------|
| • 将器件状态从 <i>预告信息</i> 更改为 <i>量产数据</i> .....                                  | 1           |

---

## 5 说明 ( 续 )

集成电阻器、静电放电 (ESD) 和故障保护功能支持设计人员在其应用中节省布板空间。

## 6 Pin Configuration and Functions

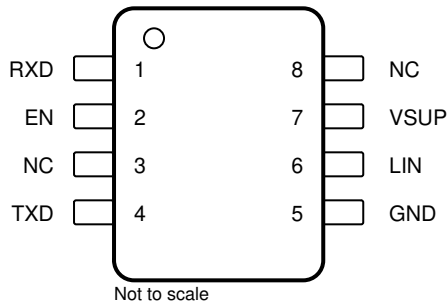


图 6-1. D Package, 8-Pin (SOIC)  
(Top View)

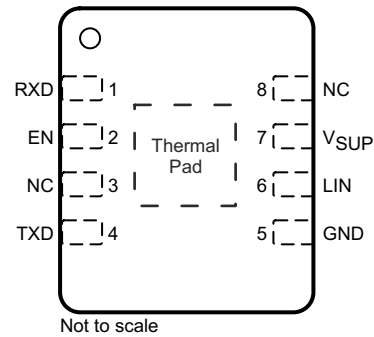


图 6-2. DRB Package, 8-Pin (VSON)  
Top View

表 6-1. Pin Functions

| PIN              |     | Type      | DESCRIPTION  |
|------------------|-----|-----------|--|
| Name             | No. |           |  |
| RXD              | 1   | DO        | RXD output (open-drain) interface reporting state of LIN bus voltage                                 |
| EN               | 2   | DI        | Enable input - High puts the device in normal operation mode and low puts the device in sleep mode   |
| NC               | 3   | -         | Not connected  |
| TXD              | 4   | DI        | TXD input interface to control state of LIN output - Internally pulled to ground                     |
| GND              | 5   | GND       | Ground   |
| LIN              | 6   | HV I/O    | LIN bus single-wire transmitter and receiver   |
| V <sub>SUP</sub> | 7   | HV Supply | Device supply voltage (connected to battery in series with external reverse blocking diode)          |
| NC               | 8   | -         | Not connected  |
| Thermal Pad      |     | -         | No electrical connection. Can be connected to the PCB to improve thermal coupling (DRB package only) |

## 7 Specifications

### 7.1 Absolute Maximum Ratings

parameters valid across  $-40^{\circ}\text{C} \leq T_A \leq 125^{\circ}\text{C}$  (unless otherwise noted)<sup>(1)</sup>

| Symbol             | Parameter                                      | MIN   | MAX | UNIT |
|--------------------|--|-------|-----|------|
| V <sub>SUP</sub>   | Supply voltage range (ISO/DIS 17987 Param 10)  | - 0.3 | 45  | V    |
| V <sub>LIN</sub>   | LIN bus input voltage (ISO/DIS 17987 Param 82) | - 45  | 45  | V    |
| V <sub>LOGIC</sub> | Logic pin voltage (RXD, TXD, EN)               | - 0.3 | 6   | V    |
| T <sub>A</sub>     | Ambient temperature range                      | - 40  | 125 | °C   |
| T <sub>J</sub>     | Junction temperature range                     | - 55  | 150 | °C   |

- (1) Stresses beyond those listed under Absolute Maximum Ratings may cause permanent damage to the device. These are stress ratings only, which do not imply functional operation of the device at these or any other conditions beyond those indicated under Recommended Operating Conditions. Exposure to absolute-maximum-rated conditions for extended periods may affect device reliability.

### 7.2 ESD Ratings

| ESD Ratings        |                         |  | VALUE         | UNIT |
|--------------------|-------------------------|--|---------------|------|
| V <sub>(ESD)</sub> | Electrostatic discharge | Human body model (HBM) TXD, RXD, EN Pins, per AEC Q100-002 <sup>(1)</sup>            | ±4000         | V    |
|                    |                         | Human body model (HBM) LIN and V <sub>SUP</sub> Pin, per AEC Q100-002 <sup>(2)</sup> | ±8000         |      |
|                    |                         | Charged device model (CDM), per AEC Q100-011   | All terminals |      |

- (1) JEDEC document JEP155 states that 500-V HBM allows safe manufacturing with a standard ESD control process.  
 (2) LIN bus is stressed with respect to GND.

### 7.3 ESD Ratings - IEC

| ESD and Surge Protection Ratings   |  |   | VALUE  | UNIT |
|--|--|---|--------|------|
| V <sub>(ESD)</sub>   | Electrostatic discharge                                | ISO 10605 per IEC 62228-3 Contact discharge | ±8000  | V    |
| V <sub>(ESD)</sub>   | Powered ESD Performance, per SAEJ2962-1 <sup>(1)</sup> | contact discharge                           | ±8000  | V    |
|  |  | air-gap discharge                           | ±25000 |      |
| ISO 7637-2 and IEC 62215-3 transients according to IBEE LIN EMC test specifications <sup>(2)</sup> (LIN and V <sub>SUP</sub> ) |  | Pulse 1                                     | - 100  | V    |
|  |  | Pulse 2                                     | 75     | V    |
|  |  | Pulse 3a                                    | - 150  | V    |
|  |  | Pulse 3b                                    | 100    | V    |

- (1) SAEJ2962-1 Testing performed at 3rd party EMC test facility, test report available upon request.  
 (2) ISO 7637 is a system level transient test. Different system level configurations may lead to different results.

### 7.4 Thermal Information

| THERMAL METRIC <sup>(1)</sup> |  | TLIN1029D | TLIN1029DRB | UNIT |
|-------------------------------|--|-----------|-------------|------|
|                               |  | D (SOIC)  | DRB (VSON)  |      |
|                               |  | 8-PINS    | 8-PINS      |      |
| R <sub>θJA</sub>              | Junction-to-ambient thermal resistance       | 115.5     | 48.5        | °C/W |
| R <sub>θJC(top)</sub>         | Junction-to-case (top) thermal resistance    | 58.7      | 55.5        | °C/W |
| R <sub>θJB</sub>              | Junction-to-board thermal resistance         | 58.9      | 22.2        | °C/W |
| Ψ <sub>JT</sub>               | Junction-to-top characterization parameter   | 14.1      | 1.2         | °C/W |
| Ψ <sub>JB</sub>               | Junction-to-board characterization parameter | 58.2      | 22.2        | °C/W |

## 7.4 Thermal Information (continued)

| THERMAL METRIC <sup>(1)</sup> |  | TLIN1029D | TLIN1029DRB | UNIT |
|-------------------------------|--|-----------|-------------|------|
|                               |  | D (SOIC)  | DRB (VSON)  |      |
|                               |  | 8-PINS    | 8-PINS      |      |
| R <sub>θJC(bot)</sub>         | Junction-to-case (bottom) thermal resistance | -         | 4.8         | °C/W |

(1) For more information about traditional and new thermal metrics, see the Semiconductor and IC Package Thermal Metrics application report, SPRA953.

## 7.5 Recommended Operating Conditions

parameters valid across  $-40^{\circ}\text{C} \leq T_A \leq 125^{\circ}\text{C}$  (unless otherwise noted)

| PARAMETER - DEFINITION |                                  | MIN | NOM | MAX  | UNIT |
|------------------------|----------------------------------|-----|-----|------|------|
| V <sub>SUP</sub>       | Supply voltage                   | 4   |     | 36   | V    |
| V <sub>LIN</sub>       | LIN Bus input voltage            | 0   |     | 36   | V    |
| V <sub>LOGIC</sub>     | Logic Pin Voltage (RXD, TXD, EN) | 0   |     | 5.25 | V    |
| TSD                    | Thermal shutdown temperature     | 165 |     |      | °C   |
| TSD <sub>(HYS)</sub>   | Thermal shutdown hysteresis      |     | 15  |      | °C   |

## 7.6 Electrical Characteristics

parameters valid across  $-40^{\circ}\text{C} \leq T_A \leq 125^{\circ}\text{C}$  (unless otherwise noted)

| PARAMETER                          |   | TEST CONDITIONS  | MIN | TYP | MAX  | UNIT |
|------------------------------------|---|--|-----|-----|------|------|
| <b>Power Supply</b>                |   |  |     |     |      |      |
| V <sub>SUP</sub>                   | Operational supply voltage (ISO/DIS 17987 Param 10)                   | Device is operational beyond the LIN defined nominal supply voltage range. See <a href="#">图 8-1</a> and <a href="#">图 8-2</a>   | 4   |     | 36   | V    |
| V <sub>SUP</sub>                   | Nominal supply voltage (ISO/DIS 17987 Param 10)                       | Normal and Standby Modes: ramp V <sub>SUP</sub> while LIN signal is a 10 kHz square wave with 50 % duty cycle and 18V swing. See <a href="#">图 8-1</a> and <a href="#">图 8-2</a> | 4   |     | 36   | V    |
|                                    |   | Sleep Mode   | 4   |     | 36   | V    |
| UV <sub>SUP</sub>                  | Under voltage V <sub>SUP</sub> threshold                              | Min is falling edge and Max is rising edge   | 2.9 |     | 3.85 | V    |
| UV <sub>HYS</sub>                  | Delta hysteresis voltage for V <sub>SUP</sub> under voltage threshold |  |     | 0.2 |      | V    |
| I <sub>SUP</sub>                   | Supply current  | Normal Mode: EN = high, bus dominant: total bus load where R <sub>LIN</sub> > 500 Ω and C <sub>LIN</sub> < 10 nF (See <a href="#">图 8-7</a> )                                    |     | 1   | 5    | mA   |
|                                    |   | Standby Mode: EN = low, bus dominant: total bus load where R <sub>LIN</sub> > 500 Ω and C <sub>LIN</sub> < 10 nF (See <a href="#">图 8-7</a> )                                    |     | 1   | 2.1  | mA   |
| I <sub>SUP</sub>                   | Supply current  | Normal Mode: EN = high, bus recessive (LIN = V <sub>SUP</sub> )  |     | 300 | 650  | μA   |
|                                    |   | Standby Mode: EN = low, bus recessive (LIN = V <sub>SUP</sub> )  |     | 10  | 30   | μA   |
|                                    |   | Sleep Mode: 4.0 V < V <sub>SUP</sub> ≤ 14 V, LIN = V <sub>SUP</sub> , EN = 0 V, TXD and RXD floating   |     | 8   | 12   | μA   |
|                                    |   | Sleep Mode: 14 V < V <sub>SUP</sub> ≤ 36 V, LIN = V <sub>SUP</sub> , EN = 0 V, TXD and RXD floating  |     |     | 20   | μA   |
| TSD                                | Thermal shutdown  |  | 165 |     |      | °C   |
| TSD <sub>(HYS)</sub>               | Thermal shutdown hysteresis   |  |     | 15  |      | °C   |
| <b>RXD OUTPUT PIN (OPEN DRAIN)</b> |   |  |     |     |      |      |
| V <sub>OL</sub>                    | Output low voltage  | R <sub>PU</sub> = 2.4 kΩ   |     |     | 0.6  | V    |

## 7.6 Electrical Characteristics (continued)

parameters valid across  $-40^{\circ}\text{C} \leq T_A \leq 125^{\circ}\text{C}$  (unless otherwise noted)

| PARAMETER                 |  | TEST CONDITIONS   | MIN   | TYP | MAX   | UNIT             |
|---------------------------|--|---|-------|-----|-------|------------------|
| I <sub>OL</sub>           | Low level output current, open drain                                 | LIN = 0 V, RXD = 0.4 V  | 1.5   |     |       | mA               |
| I <sub>ILG</sub>          | Leakage current, high-level  | LIN = V <sub>SUP</sub> , RXD = 5 V  | -5    | 0   | 5     | μA               |
| <b>TXD INPUT PIN</b>      |  |   |       |     |       |                  |
| V <sub>IL</sub>           | Low level input voltage  |   | -0.3  |     | 0.8   | V                |
| V <sub>IH</sub>           | High level input voltage   |   | 2     |     | 5.5   | V                |
| I <sub>ILG</sub>          | Low level input leakage current                                      | TXD = low   | -5    | 0   | 5     | μA               |
| R <sub>TXD</sub>          | Internal pull-down resistor value                                    |   | 125   | 350 | 800   | kΩ               |
| <b>LIN PIN</b>            |  |   |       |     |       |                  |
| V <sub>OH</sub>           | HIGH level output voltage  | LIN recessive, TXD = high, I <sub>O</sub> = 0 mA, V <sub>SUP</sub> = 7 V to 36 V <sup>(1)</sup>   | 0.85  |     |       | V <sub>SUP</sub> |
|                           |  | LIN recessive, TXD = high, I <sub>O</sub> = 0 mA, V <sub>SUP</sub> = 4 V ≤ V <sub>SUP</sub> < 7 V <sup>(1)</sup>                                | 3     |     |       | V                |
| V <sub>OL</sub>           | LOW level output voltage   | LIN dominant, TXD = low, V <sub>SUP</sub> = 7 V to 36 V <sup>(1)</sup>  |       |     | 0.2   | V <sub>SUP</sub> |
|                           |  | LIN dominant, TXD = low, V <sub>SUP</sub> = 4 V ≤ V <sub>SUP</sub> < 7 V <sup>(1)</sup>   |       |     | 1.2   | V                |
| V <sub>SUP_NON_OP</sub>   | VSUP where impact of recessive LIN bus < 5% (ISO/DIS 17987 Param 11) | TXD & RXD open LIN = 4 V to 45 V  | -0.3  |     | 45    | V                |
| I <sub>BUS_LIM</sub>      | Limiting current (ISO/DIS 17987 Param 12)                            | TXD = 0 V, V <sub>LIN</sub> = 18 V, R <sub>MEAS</sub> = 440 Ω, V <sub>SUP</sub> = 18 V, V <sub>BUSdom</sub> < 4.518 V See <a href="#">图 8-6</a> | 40    | 90  | 200   | mA               |
| I <sub>BUS_PAS_dom</sub>  | Receiver leakage current, dominant (ISO/DIS 17987 Param 13)          | LIN = 0 V, V <sub>SUP</sub> = 12 V Driver off/ recessive <a href="#">图 8-7</a>  | -1    |     |       | mA               |
| I <sub>BUS_PAS_rec1</sub> | Receiver leakage current, recessive (ISO/DIS 17987 Param 14)         | LIN > V <sub>SUP</sub> , 4 V ≤ V <sub>SUP</sub> ≤ 36 V Driver off; <a href="#">图 8-8</a>  |       |     | 20    | μA               |
| I <sub>BUS_PAS_rec2</sub> | Receiver leakage current, recessive (ISO/DIS 17987 Param 14)         | LIN = V <sub>SUP</sub> , Driver off; <a href="#">图 8-8</a>  | -5    |     | 5     | μA               |
| I <sub>BUS_NO_GND</sub>   | Leakage current, loss of ground (ISO/DIS 17987 Param 15)             | GND = V <sub>SUP</sub> , V <sub>SUP</sub> = 18 V, LIN = 0 V; <a href="#">图 8-9</a>  | -1    |     | 1     | mA               |
| I <sub>BUS_NO_BAT</sub>   | Leakage current, loss of supply (ISO/DIS 17987 Param 16)             | LIN = 18 V, V <sub>SUP</sub> = GND; <a href="#">图 8-10</a>  |       |     | 5     | μA               |
| V <sub>BUSdom</sub>       | Low level input voltage (ISO/DIS 17987 Param 17)                     | LIN dominant (including LIN dominant for wake up) See <a href="#">图 8-4</a> , <a href="#">图 8-3</a>   |       |     | 0.4   | V <sub>SUP</sub> |
| V <sub>BUSrec</sub>       | High level input voltage (ISO/DIS 17987 Param 18)                    | LIN recessive See <a href="#">图 8-4</a> , <a href="#">图 8-3</a>   | 0.6   |     |       | V <sub>SUP</sub> |
| V <sub>BUS_CNT</sub>      | Receiver center threshold (ISO/DIS 17987 Param 19)                   | V <sub>BUS_CNT</sub> = (V <sub>IL</sub> + V <sub>IH</sub> )/2 See <a href="#">图 8-4</a> , <a href="#">图 8-3</a>                                 | 0.475 | 0.5 | 0.525 | V <sub>SUP</sub> |
| V <sub>HYS</sub>          | Hysteresis voltage (ISO/DIS 17987 Param 20)                          | V <sub>HYS</sub> = (V <sub>IL</sub> - V <sub>IH</sub> ) See <a href="#">图 8-4</a> , <a href="#">图 8-3</a>                                       |       |     | 0.175 | V <sub>SUP</sub> |
| V <sub>SERIAL_DIODE</sub> | Serial diode LIN term pull-up path                                   | By design and characterization  | 0.4   | 0.7 | 1     | V                |
| R <sub>PU-LIN</sub>       | Internal pull-up resistor to V <sub>SUP</sub>                        | Normal and standby modes  | 20    | 45  | 60    | kΩ               |
| I <sub>RSLEEP</sub>       | Pull-up current source to V <sub>SUP</sub>                           | Sleep mode, V <sub>SUP</sub> = 14 V, LIN = GND  | -2    |     | -20   | μA               |
| C <sub>LINPIN</sub>       | Capacitance of the LIN pin   | V <sub>SUP</sub> = 14 V   |       |     | 25    | pF               |
| <b>EN INPUT PIN</b>       |  |   |       |     |       |                  |
| V <sub>IL</sub>           | Low level input voltage  |   | -0.3  |     | 0.8   | V                |
| V <sub>IH</sub>           | High level input voltage   |   | 2     |     | 5.5   | V                |
| V <sub>IT</sub>           | Hysteresis voltage   | By design and characterization  |       | 50  | 500   | mV               |
| I <sub>ILG</sub>          | Low level input current  | EN = low  | -5    | 0   | 5     | μA               |

## 7.6 Electrical Characteristics (continued)

parameters valid across  $-40^{\circ}\text{C} \leq T_A \leq 125^{\circ}\text{C}$  (unless otherwise noted)

| PARAMETER       |                             | TEST CONDITIONS | MIN | TYP | MAX | UNIT       |
|-----------------|-----------------------------|-----------------|-----|-----|-----|------------|
| R <sub>EN</sub> | Internal pull-down resistor |                 | 125 | 350 | 800 | k $\Omega$ |

(1) LIN driver bus load conditions (C<sub>LIN</sub>, R<sub>LIN</sub>): No external load



## 7.7 Switching Characteristics

parameters valid across  $-40^{\circ}\text{C} \leq T_A \leq 125^{\circ}\text{C}$  (unless otherwise noted)

| PARAMETER         |  | TEST CONDITIONS  | MIN   | TYP | MAX   | UNIT |
|-------------------|--|--|-------|-----|-------|------|
| D1 <sub>12V</sub> | Duty Cycle 1 (ISO/DIS 17987 Param 27) <sup>(1)</sup> | $TH_{REC(MAX)} = 0.744 \times V_{SUP}$ , $TH_{DOM(MAX)} = 0.581 \times V_{SUP}$ , $V_{SUP} = 4\text{ V to }7.4\text{ V}$ , $t_{BIT} = 50\ \mu\text{s}$ (20 kbps), $D1 = t_{BUS\_rec(min)}/(2 \times t_{BIT})$ (See <a href="#">Fig 8-11</a> , <a href="#">Fig 8-12</a> )     | 0.396 |     |       |      |
| D1 <sub>12V</sub> | Duty Cycle 1 <sup>(2)</sup>                          | $TH_{REC(MAX)} = 0.625 \times V_{SUP}$ , $TH_{DOM(MAX)} = 0.581 \times V_{SUP}$ , $V_{SUP} = 7.4\text{ V to }9.4\text{ V}$ , $t_{BIT} = 50\ \mu\text{s}$ (20 kbps), $D1 = t_{BUS\_rec(min)}/(2 \times t_{BIT})$ (See <a href="#">Fig 8-11</a> , <a href="#">Fig 8-12</a> )   | 0.368 |     |       |      |
| D1 <sub>12V</sub> | Duty Cycle 1 (ISO/DIS 17987 Param 27)                | $TH_{REC(MAX)} = 0.744 \times V_{SUP}$ , $TH_{DOM(MAX)} = 0.581 \times V_{SUP}$ , $V_{SUP} = 9.4\text{ V to }18\text{ V}$ , $t_{BIT} = 50\ \mu\text{s}$ (20 kbps), $D1 = t_{BUS\_rec(min)}/(2 \times t_{BIT})$ (See <a href="#">Fig 8-11</a> , <a href="#">Fig 8-12</a> )    | 0.396 |     |       |      |
| D2 <sub>12V</sub> | Duty Cycle 2 (ISO/DIS 17987 Param 28)                | $TH_{REC(MIN)} = 0.422 \times V_{SUP}$ , $TH_{DOM(MIN)} = 0.284 \times V_{SUP}$ , $V_{SUP} = 4\text{ V to }7.4\text{ V}$ , $t_{BIT} = 50\ \mu\text{s}$ (20 kbps), $D2 = t_{BUS\_rec(MAX)}/(2 \times t_{BIT})$ (See <a href="#">Fig 8-11</a> , <a href="#">Fig 8-12</a> )     |       |     | 0.581 |      |
| D2 <sub>12V</sub> | Duty Cycle 2 <sup>(2)</sup>                          | $TH_{REC(MIN)} = 0.422 \times V_{SUP}$ , $TH_{DOM(MIN)} = 0.284 \times V_{SUP}$ , $V_{SUP} = 7.4\text{ V to }9.4\text{ V}$ , $t_{BIT} = 50\ \mu\text{s}$ (20 kbps), $D2 = t_{BUS\_rec(MAX)}/(2 \times t_{BIT})$ (See <a href="#">Fig 8-11</a> , <a href="#">Fig 8-12</a> )   |       |     | 0.67  |      |
| D2 <sub>12V</sub> | Duty Cycle 2 (ISO/DIS 17987 Param 28)                | $TH_{REC(MIN)} = 0.422 \times V_{SUP}$ , $TH_{DOM(MIN)} = 0.284 \times V_{SUP}$ , $V_{SUP} = 9.4\text{ V to }18\text{ V}$ , $t_{BIT} = 50\ \mu\text{s}$ (20 kbps), $D2 = t_{BUS\_rec(MAX)}/(2 \times t_{BIT})$ (See <a href="#">Fig 8-11</a> , <a href="#">Fig 8-12</a> )    |       |     | 0.581 |      |
| D3 <sub>12V</sub> | Duty Cycle 3 (ISO/DIS 17987 Param 29)                | $TH_{REC(MAX)} = 0.778 \times V_{SUP}$ , $TH_{DOM(MAX)} = 0.616 \times V_{SUP}$ , $V_{SUP} = 7\text{ V to }18\text{ V}$ , $t_{BIT} = 96\ \mu\text{s}$ (10.4 kbps), $D3 = t_{BUS\_rec(min)}/(2 \times t_{BIT})$ (See <a href="#">Fig 8-11</a> , <a href="#">Fig 8-12</a> )    | 0.417 |     |       |      |
| D3 <sub>12V</sub> | Duty Cycle 3   | $TH_{REC(MAX)} = 0.645 \times V_{SUP}$ , $TH_{DOM(MAX)} = 0.616 \times V_{SUP}$ , $V_{SUP} = 4\text{ V to }7\text{ V}$ , $t_{BIT} = 96\ \mu\text{s}$ (10.4 kbps), $D3 = t_{BUS\_rec(min)}/(2 \times t_{BIT})$ (See <a href="#">Fig 8-11</a> , <a href="#">Fig 8-12</a> )     | 0.417 |     |       |      |
| D4 <sub>12V</sub> | Duty Cycle 4 (ISO/DIS 17987 Param 30)                | $TH_{REC(MIN)} = 0.389 \times V_{SUP}$ , $TH_{DOM(MIN)} = 0.251 \times V_{SUP}$ , $V_{SUP} = 4.6\text{ V to }7.4\text{ V}$ , $t_{BIT} = 96\ \mu\text{s}$ (10.4 kbps), $D4 = t_{BUS\_rec(MAX)}/(2 \times t_{BIT})$ (See <a href="#">Fig 8-11</a> , <a href="#">Fig 8-12</a> ) |       |     | 0.59  |      |
| D4 <sub>12V</sub> | Duty Cycle 4 <sup>(2)</sup>                          | $TH_{REC(MIN)} = 0.389 \times V_{SUP}$ , $TH_{DOM(MIN)} = 0.251 \times V_{SUP}$ , $V_{SUP} = 7.4\text{ V to }9.4\text{ V}$ , $t_{BIT} = 96\ \mu\text{s}$ (10.4 kbps), $D4 = t_{BUS\_rec(MAX)}/(2 \times t_{BIT})$ (See <a href="#">Fig 8-11</a> , <a href="#">Fig 8-12</a> ) |       |     | 0.6   |      |
| D4 <sub>12V</sub> | Duty Cycle 4 (ISO/DIS 17987 Param 30)                | $TH_{REC(MIN)} = 0.389 \times V_{SUP}$ , $TH_{DOM(MIN)} = 0.251 \times V_{SUP}$ , $V_{SUP} = 7.4\text{ V to }18\text{ V}$ , $t_{BIT} = 96\ \mu\text{s}$ (10.4 kbps), $D4 = t_{BUS\_rec(MAX)}/(2 \times t_{BIT})$ (See <a href="#">Fig 8-11</a> , <a href="#">Fig 8-12</a> )  |       |     | 0.59  |      |

- (1) Duty cycles: LIN driver bus load conditions ( $C_{LIN}$ ,  $R_{LIN}$ ): Load1 = 1 nF, 1 k $\Omega$ ; Load2 = 10 nF, 500  $\Omega$ , Load3 = 6.8 nF, 660  $\Omega$ . Duty cycles 3 and 4 are defined for 10.4-kbps operation. The TLIN1029 also meets these lower data rate requirements, while it is capable of the higher speed 20-kbps operation as specified by duty cycles 1 and 2. SAEJ2602 derives propagation delay equations from the LIN 2.0 duty cycle definitions, for details see the SAEJ2602 specification
- (2) See errata [TLIN1029-Q1](#) and [TLIN2029-Q1 Duty Cycle Over VSUP](#)

## 7.8 Timing Requirements

| SYMBOL                     | DESCRIPTION   | TEST CONDITIONS  | MIN | NOM | MAX | UNIT          |
|----------------------------|---|--|-----|-----|-----|---------------|
| $t_{rx\_pdr}, t_{rx\_pdf}$ | Receiver rising and falling propagation delay time (ISO/DIS 17987 Param 31)   | $R_{RXD} = 2.4 \text{ k}\Omega$ , $C_{RXD} = 20 \text{ pF}$ (See <a href="#">图 8-13</a> and <a href="#">图 8-14</a> )   |     |     | 6   | $\mu\text{s}$ |
| $t_{rx\_sym}$              | Symmetry of receiver propagation delay time   | Rising edge with respect to falling edge, ( $trx\_sym = t_{rx\_pdf} - t_{rx\_pdr}$ ), $R_{RXD} = 2.4 \text{ k}\Omega$ , $C_{RXD} = 20 \text{ pF}$ (See <a href="#">图 8-13</a> and <a href="#">图 8-14</a> ) | - 2 |     | 2   | $\mu\text{s}$ |
| $t_{LINBUS}$               | LIN wakeup time (Minimum dominant time on LIN bus for wakeup)   | See <a href="#">图 8-17</a> , <a href="#">图 9-2</a> , and <a href="#">图 9-3</a>   | 25  | 65  | 150 | $\mu\text{s}$ |
| $t_{CLEAR}$                | Time to clear false wakeup prevention logic if LIN bus had a bus stuck dominant fault (recessive time on LIN bus to clear bus stuck dominant fault) | See <a href="#">图 9-3</a>  | 8   | 25  | 50  | $\mu\text{s}$ |
| $t_{DST}$                  | Dominant state time out   |  | 20  | 45  | 80  | ms            |
| $t_{MODE\_CHANGE}$         | Mode change delay time  | Time to change from standby mode to normal mode or normal mode to sleep mode through EN pin (See <a href="#">图 8-15</a> and <a href="#">图 9-4</a> )  | 2   |     | 15  | $\mu\text{s}$ |
| $t_{NOMINT}$               | Normal mode initialization time   | Time for normal mode to initialize and data on RXD pin to be valid (See <a href="#">图 8-15</a> )   |     |     | 35  | $\mu\text{s}$ |
| $t_{PWR}$                  | Power up time   | Upon power up time it takes for valid data on RXD  |     |     | 1.5 | ms            |

## 7.9 Typical Characteristics

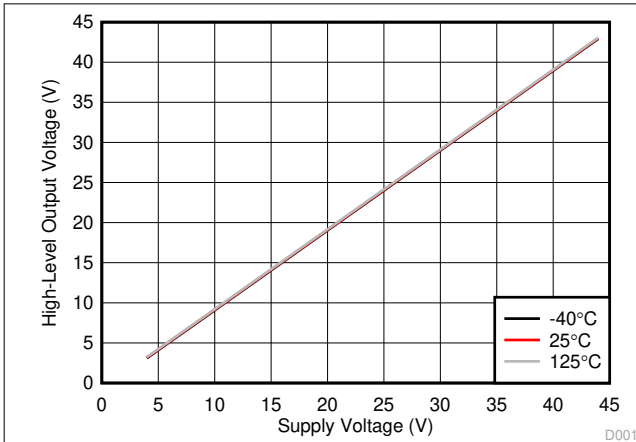


图 7-1.  $V_{OH}$  vs  $V_{SUP}$  and Temperature

D001

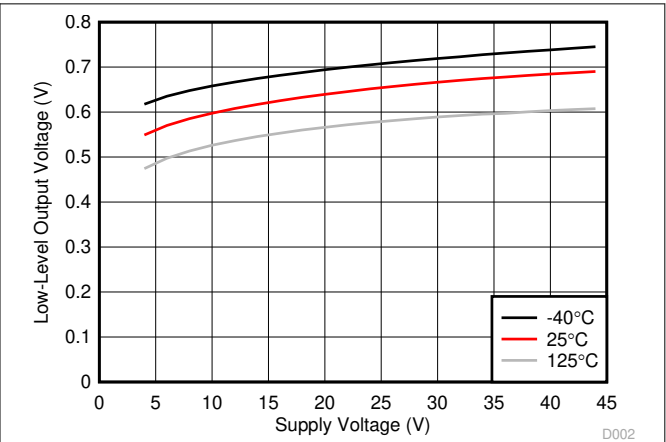


图 7-2.  $V_{OL}$  vs  $V_{SUP}$  and Temperature

D002

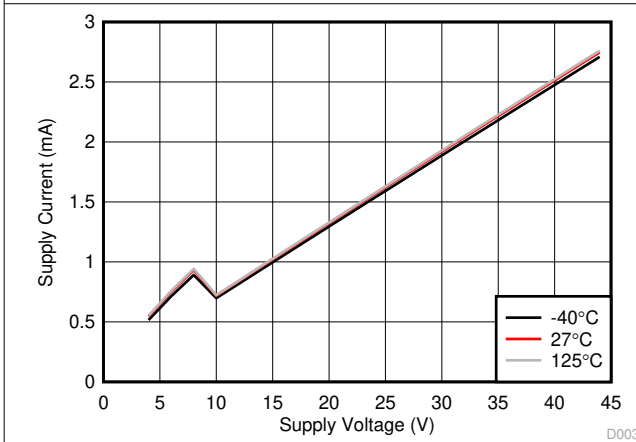


图 7-3. Dominant  $I_{SUP}$  vs  $V_{SUP}$  and Temperature

D003

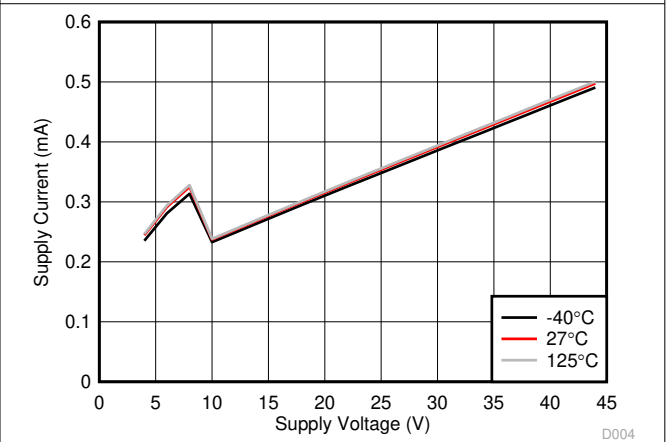


图 7-4. Recessive  $I_{SUP}$  vs  $V_{SUP}$  and Temperature

D004

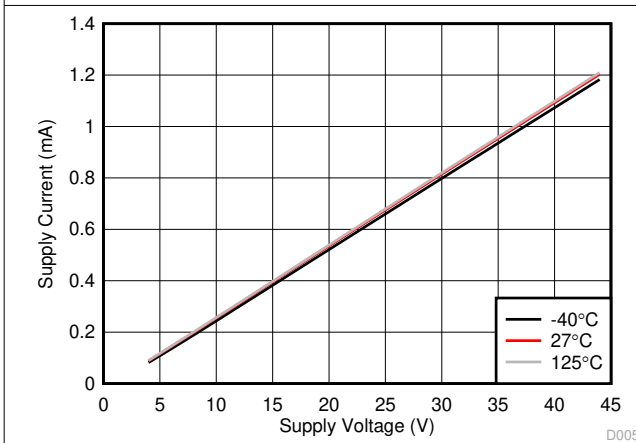


图 7-5. Standby Dominant  $I_{SUP}$  vs  $V_{SUP}$  and Temperature

D005

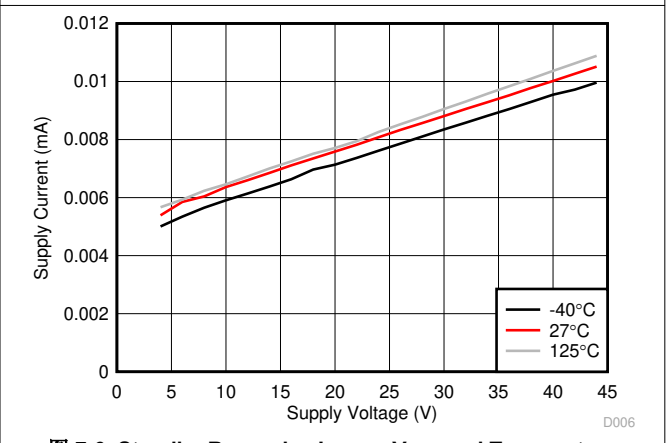


图 7-6. Standby Recessive  $I_{SUP}$  vs  $V_{SUP}$  and Temperature

D006

## 7.9 Typical Characteristics (continued)

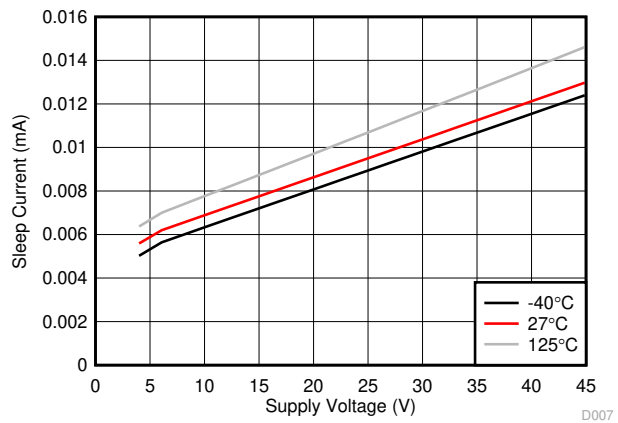


图 7-7. Sleep Current vs  $V_{SUP}$  and Temperature

## 8 Parameter Measurement Information

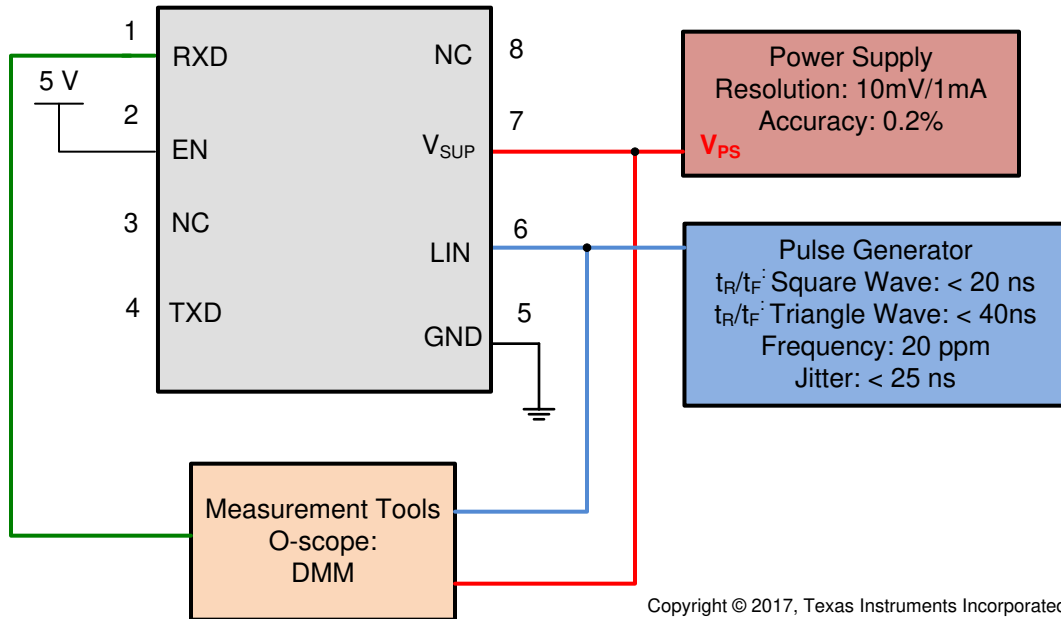


图 8-1. Test System: Operating Voltage Range with RX and TX Access: Parameters 9, 10

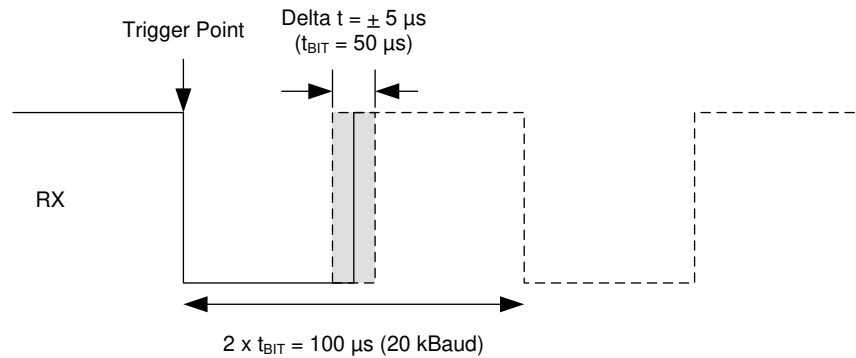


图 8-2. RX Response: Operating Voltage Range

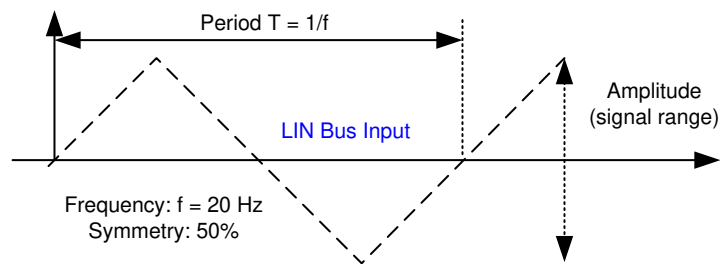


图 8-3. LIN Bus Input Signal

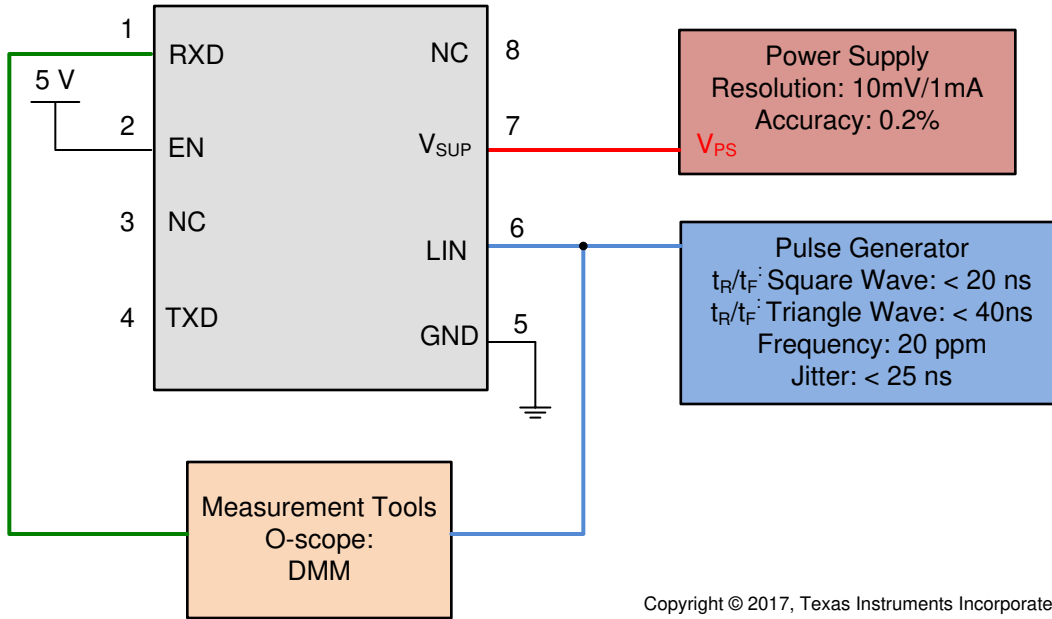


图 8-4. LIN Receiver Test with RX access Param 17, 18, 19, 20

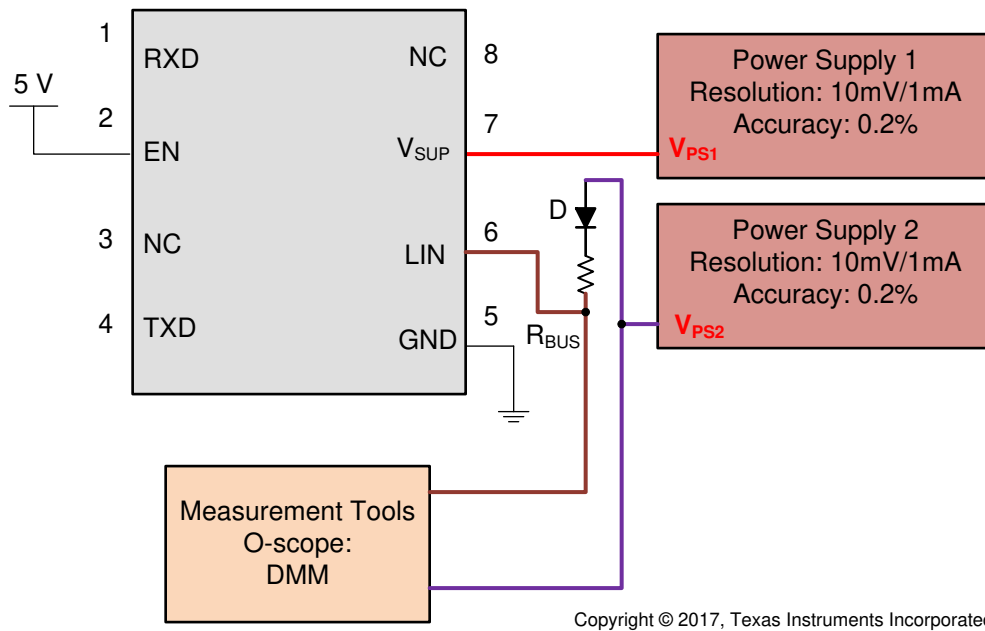
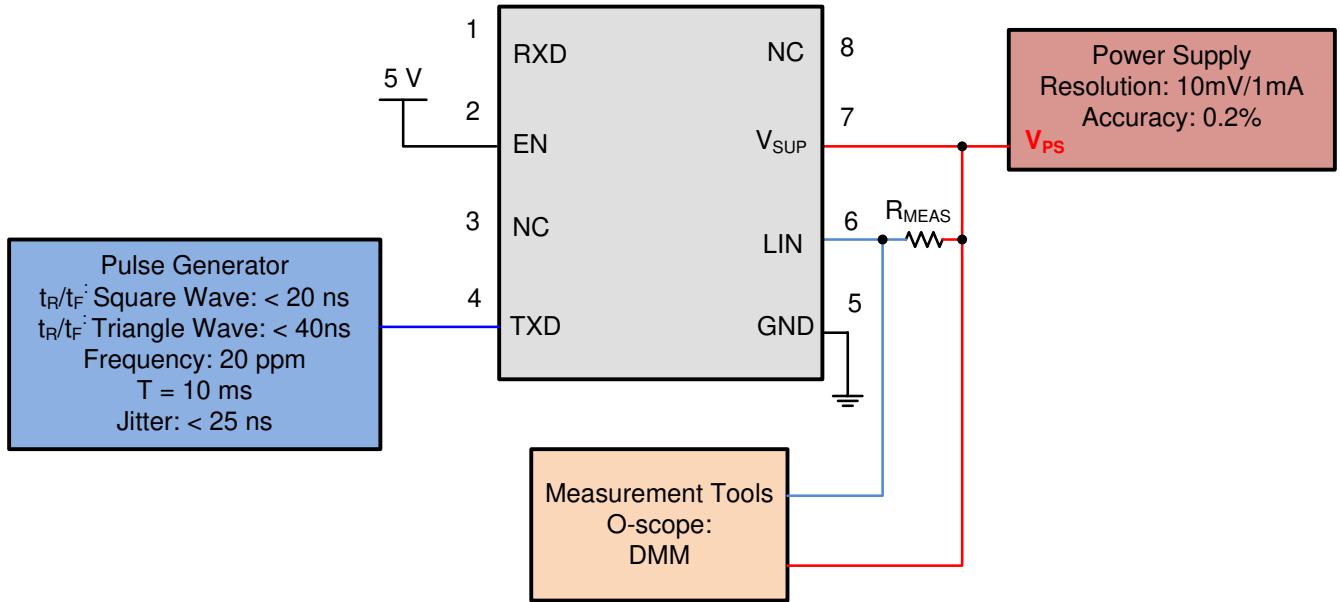
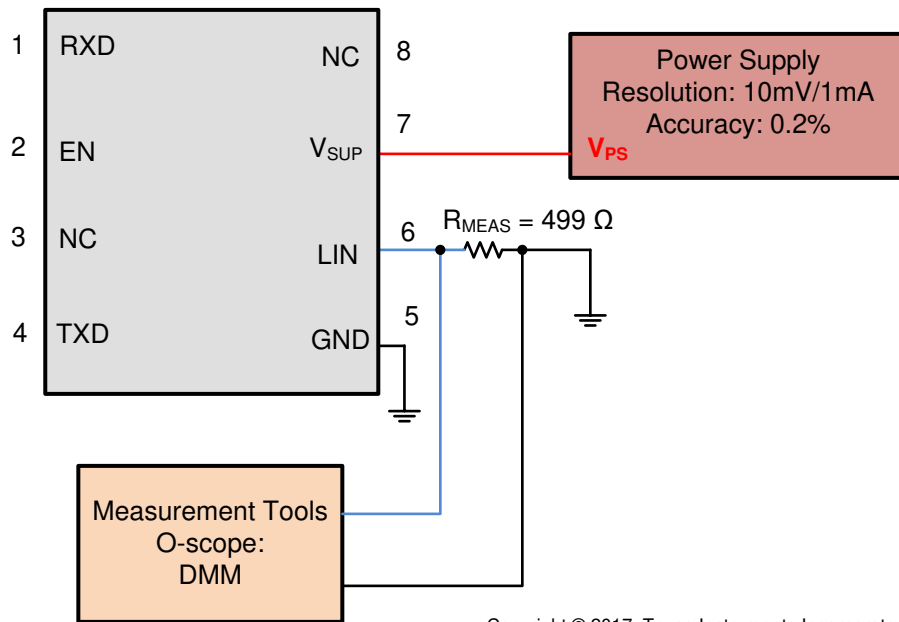


图 8-5. V<sub>SUP</sub>\_NON\_OP Param 11



Copyright © 2017, Texas Instruments Incorporated

图 8-6. Test Circuit for  $I_{BUS\_LIM}$  at Dominant State (Driver on) Param 12



Copyright © 2017, Texas Instruments Incorporated

图 8-7. Test Circuit for  $I_{BUS\_PAS\_dom}$ ; TXD = Recessive State  $V_{BUS} = 0$  V, Param 13

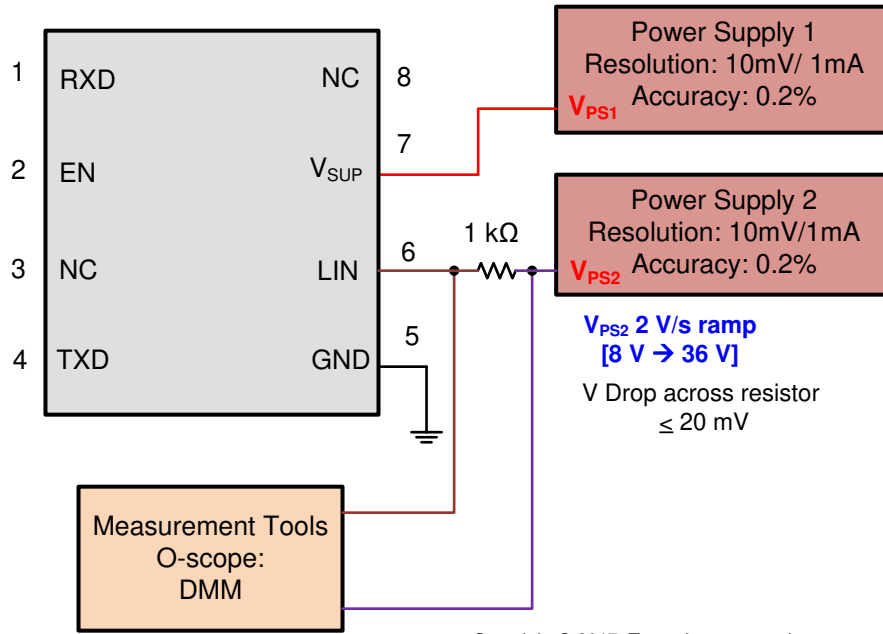


图 8-8. Test Circuit for  $I_{BUS\_PAS\_rec}$  Param 14

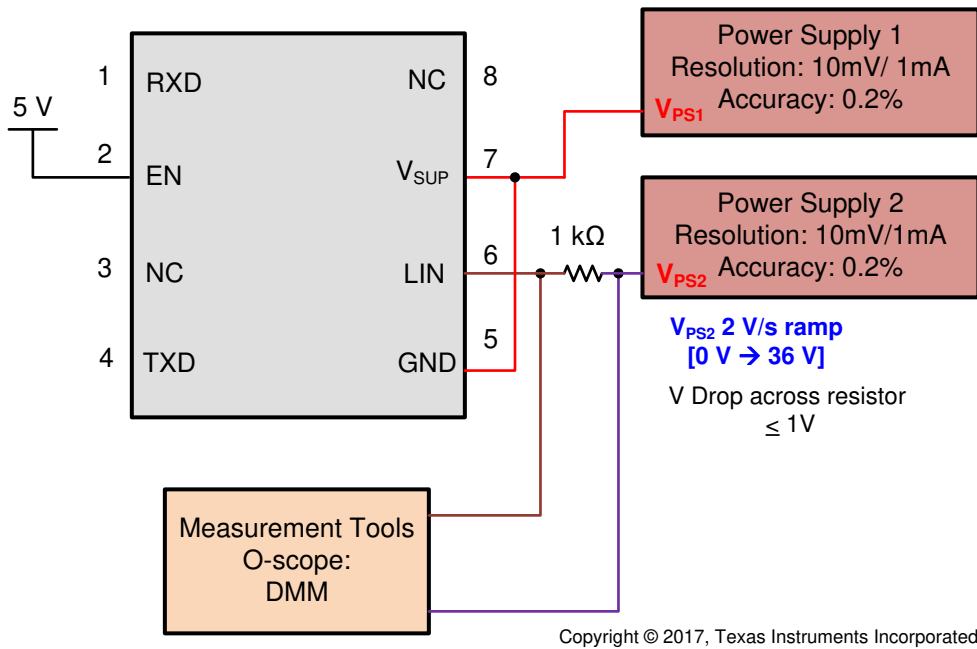


图 8-9. Test Circuit for  $I_{BUS\_NO\_GND}$  Loss of GND



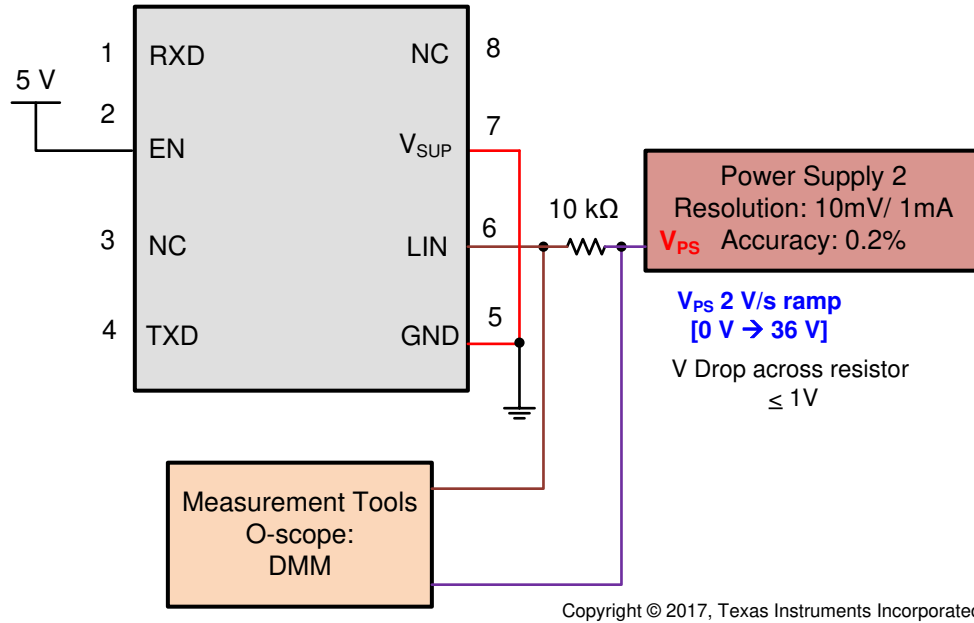


图 8-10. Test Circuit for I<sub>BUS\_NO\_BAT</sub> Loss of Battery

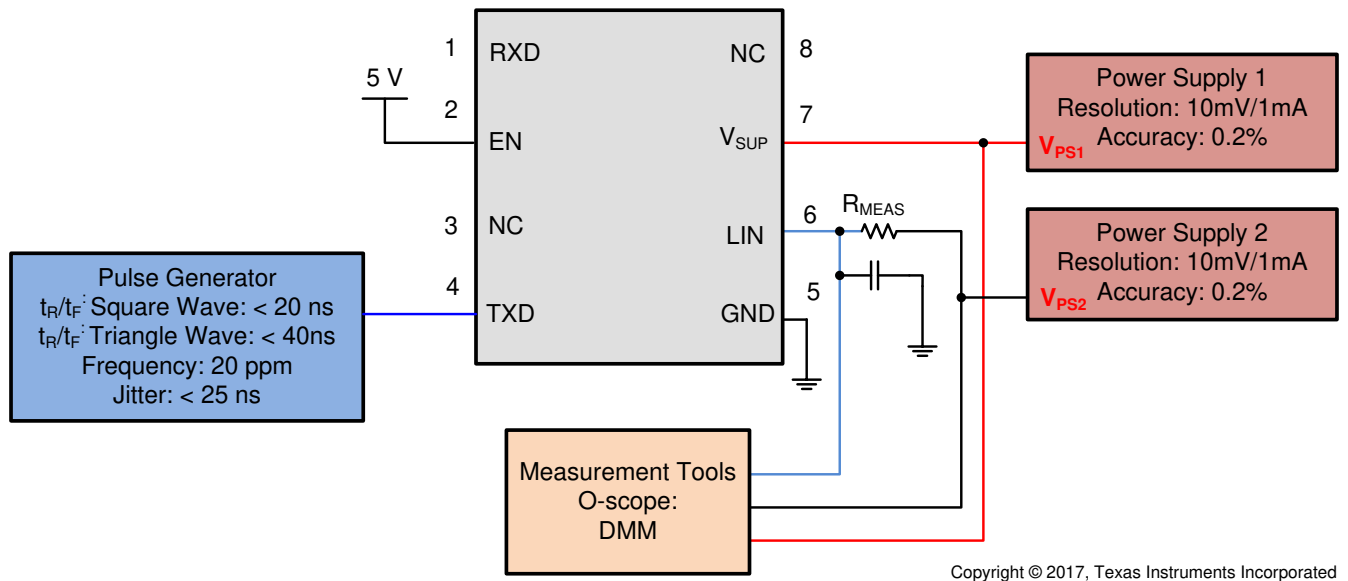


图 8-11. Test Circuit Slope Control and Duty Cycle Param 27, 28, 29, 30

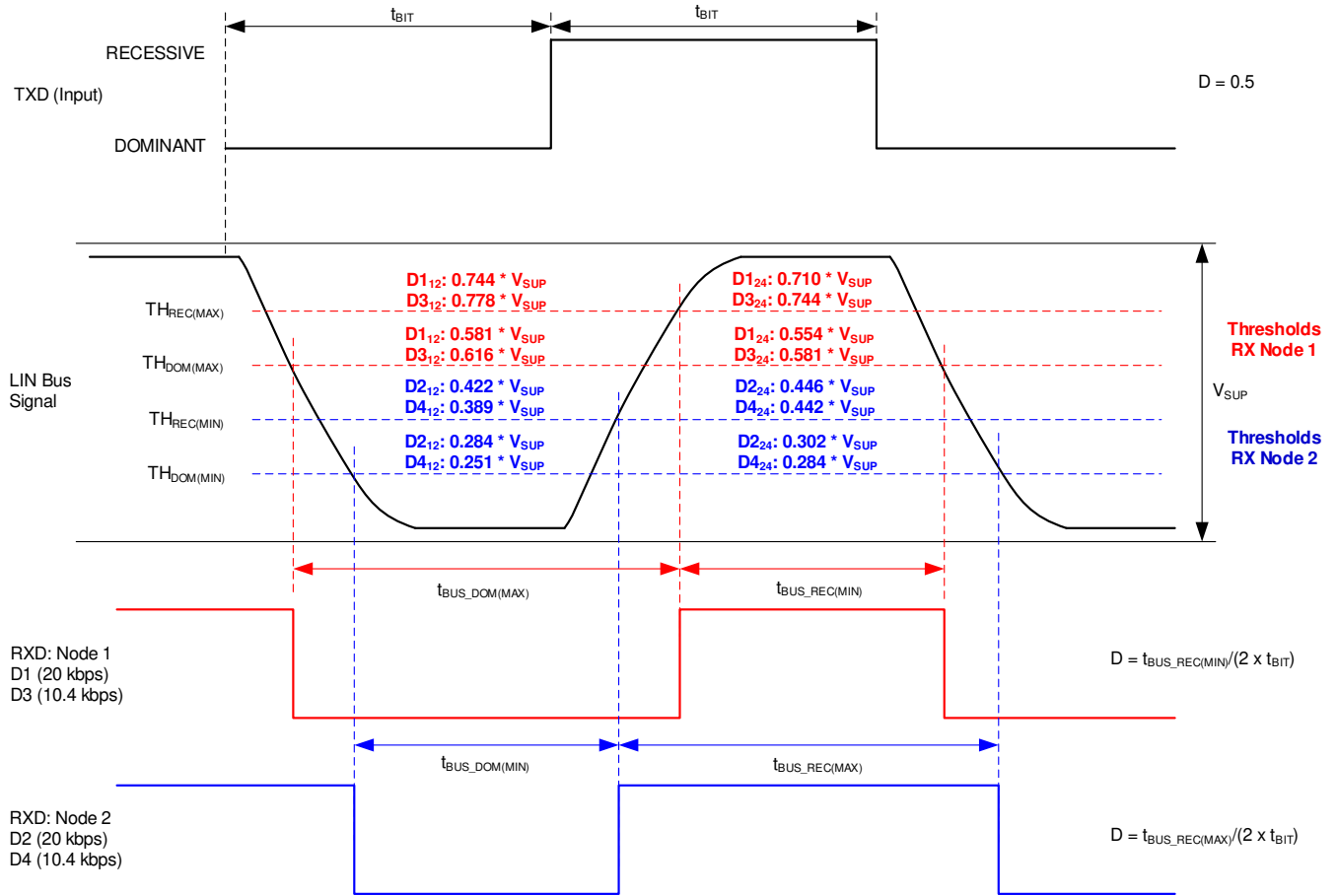
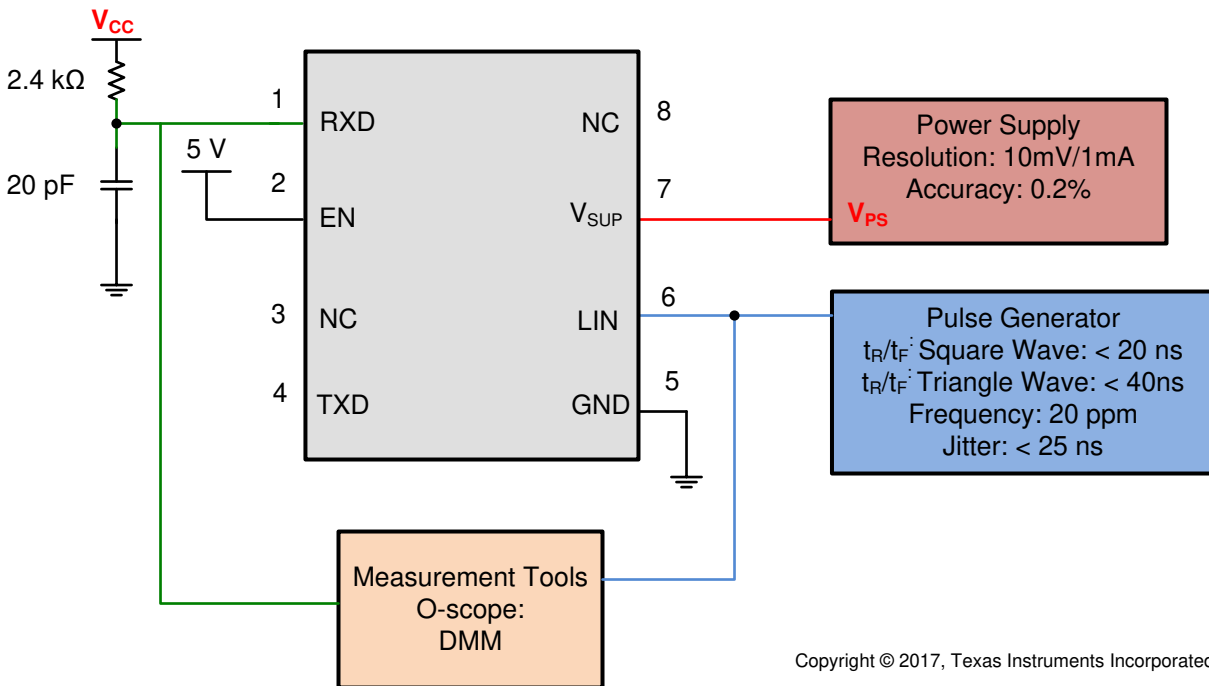


图 8-12. Definition of Bus Timing Parameters



Copyright © 2017, Texas Instruments Incorporated

图 8-13. Propagation Delay Test Circuit; Param 31, 32

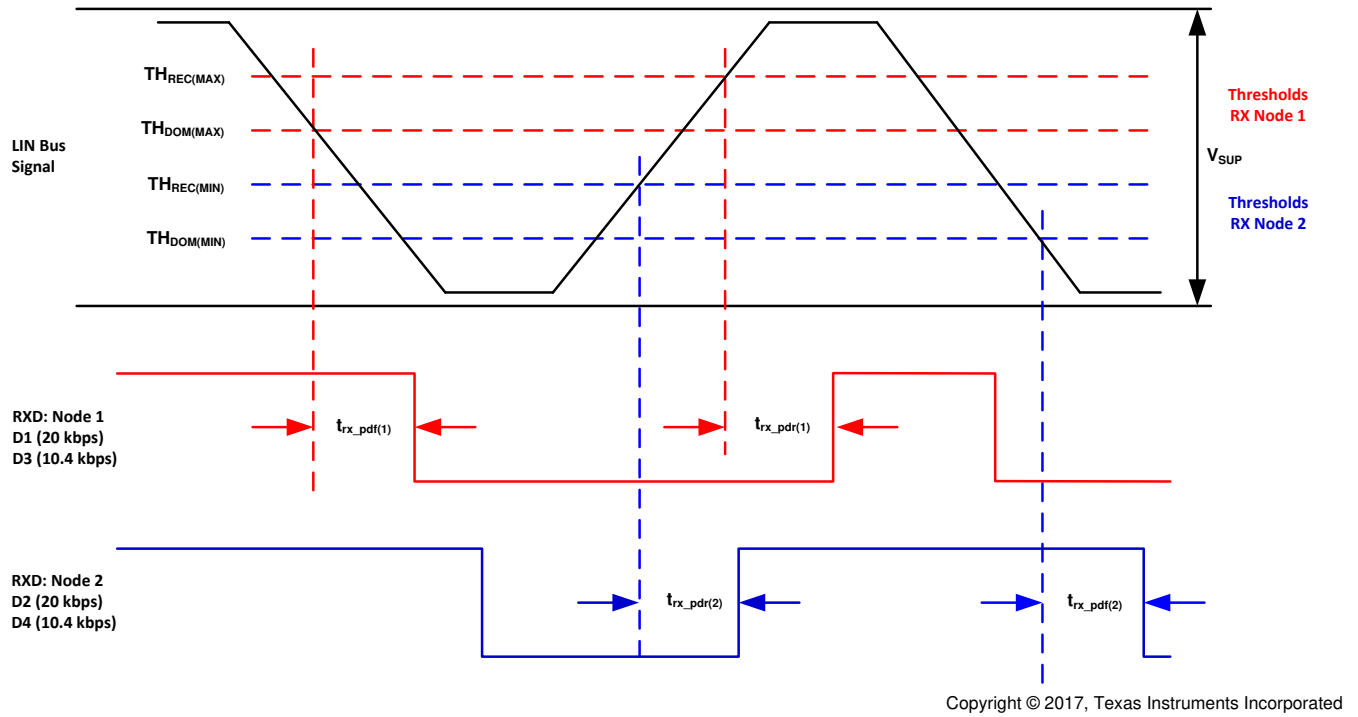


图 8-14. Propagation Delay

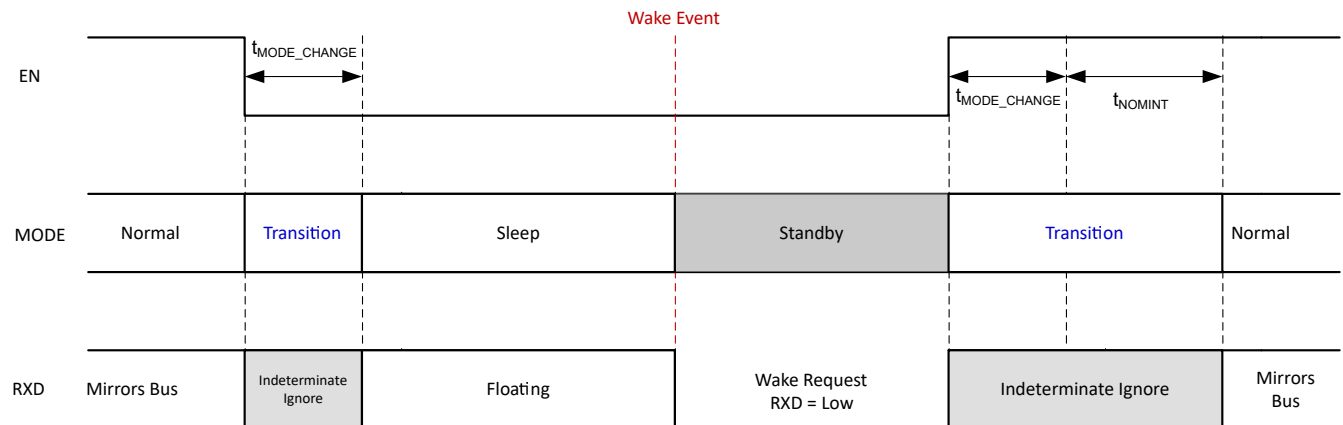


图 8-15. Mode Transitions

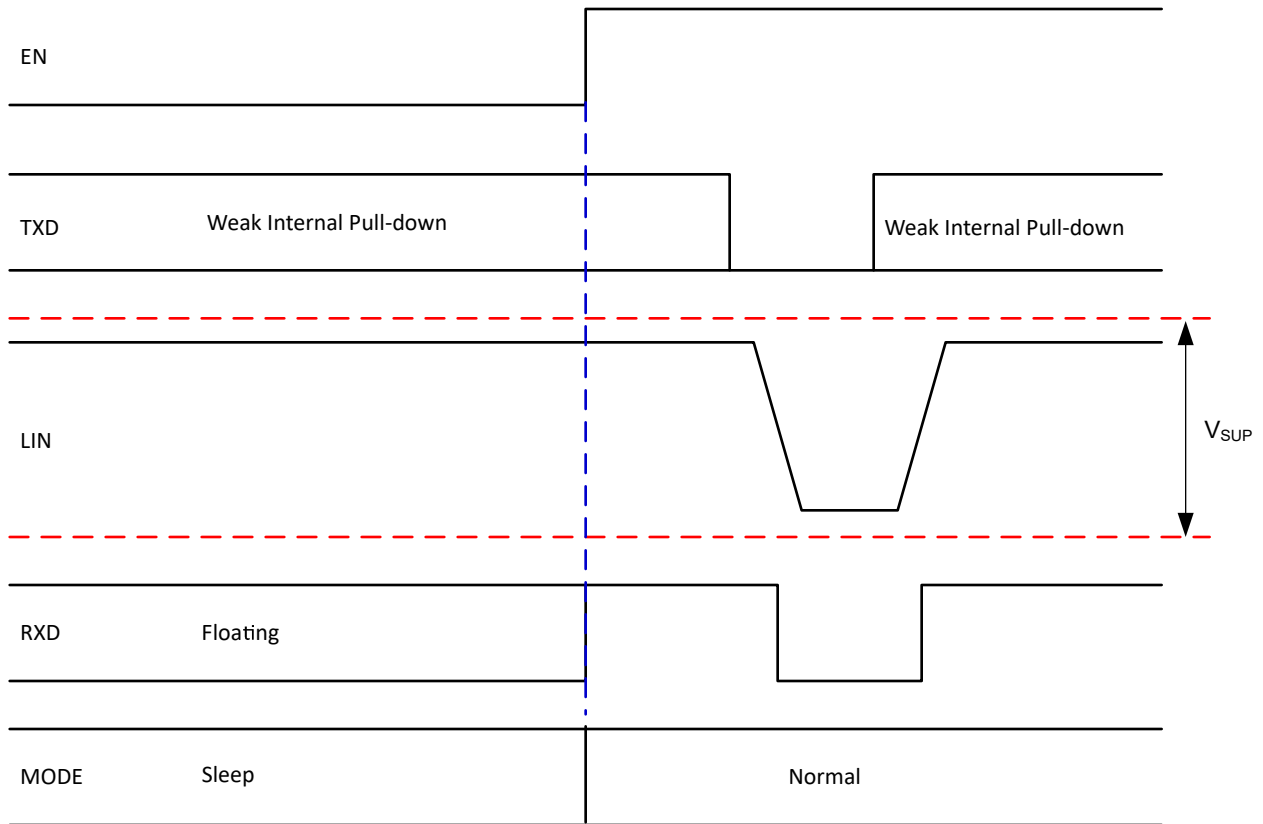


图 8-16. Wake-up Through EN

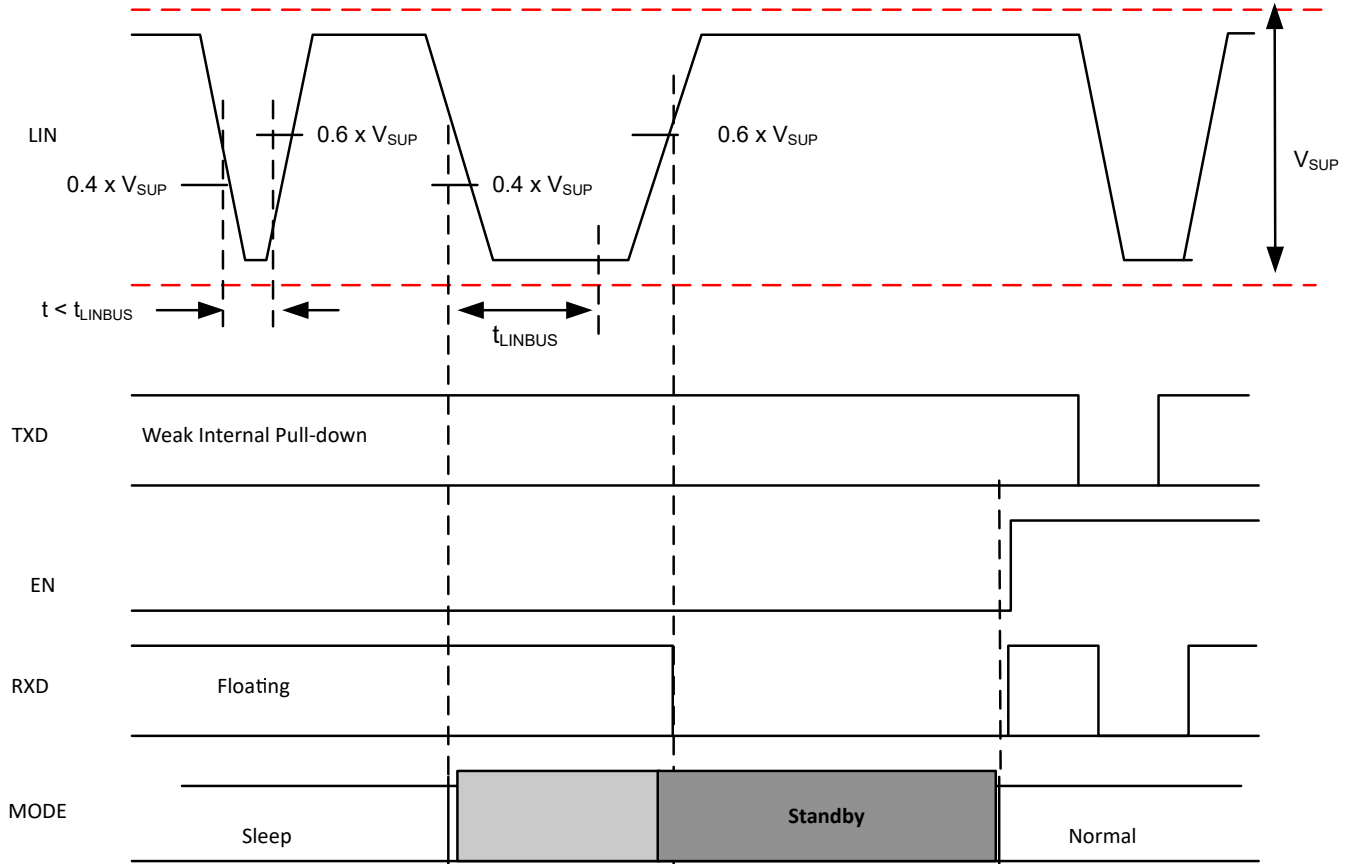
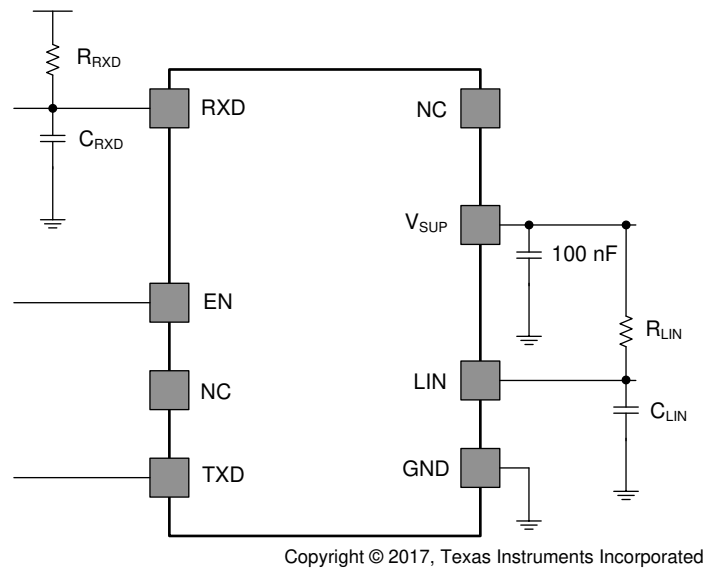


图 8-17. Wake-up through LIN



Copyright © 2017, Texas Instruments Incorporated

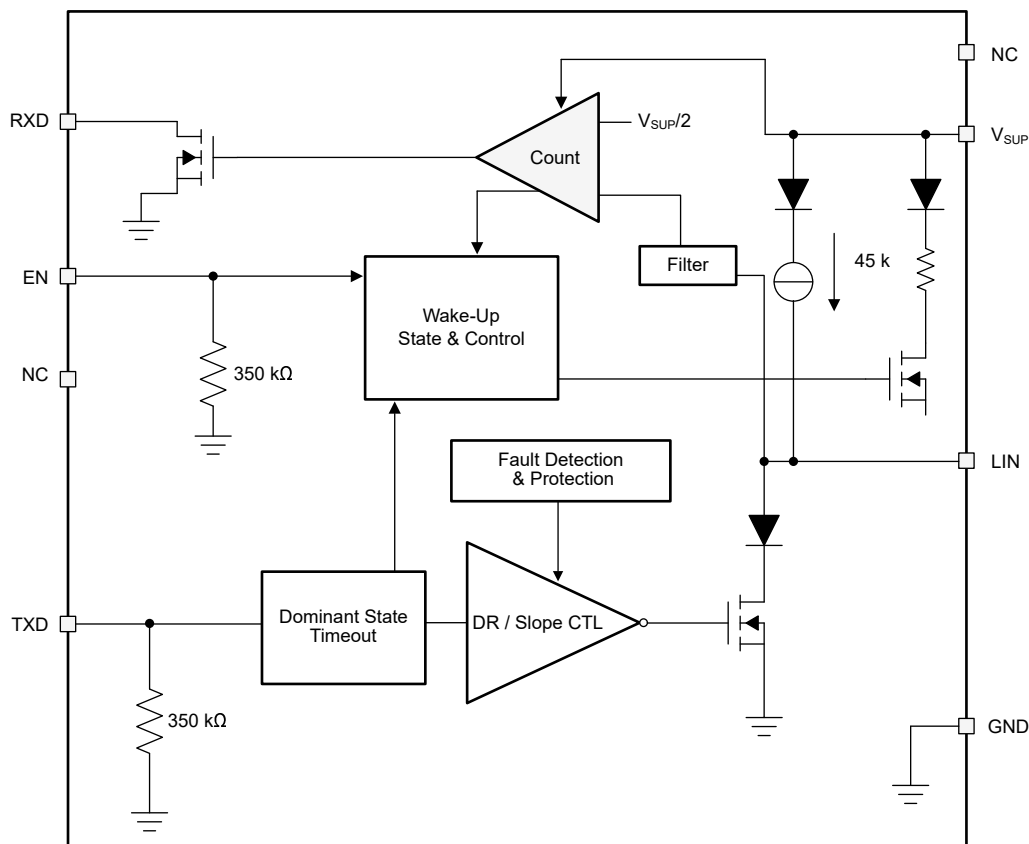
图 8-18. Test Circuit for AC Characteristics

## 9 Detailed Description

### 9.1 Overview

The TLIN1029-Q1 is a Local Interconnect Network (LIN) physical layer transceiver, compatible with LIN 2.0, LIN 2.1, LIN 2.2, LIN 2.2A and ISO/DIS 17987 - 4 standards, with integrated wake-up and protection features. The LIN bus is a single-wire bidirectional bus typically used for low speed in-vehicle networks using data rates from 2.4 kbps to 20 kbps. The TLIN1029-Q1 LIN receiver works up to 100 kbps supporting in-line programming. The LIN protocol data stream on the TXD input is converted by the TLIN1029-Q1 into a LIN bus signal using a current-limited wave-shaping driver as outlined by the LIN physical layer specification. The receiver converts the data stream to logic-level signals that are sent to the microprocessor through the open-drain RXD pin. The LIN bus has two states: dominant state (voltage near ground) and recessive state (voltage near battery). In the recessive state, the LIN bus is pulled high by the internal pull-up resistor (45 k $\Omega$ ) and a series diode. No external pull-up components are required for responder mode applications. Commander mode applications require an external pull-up resistor (1 k $\Omega$ ) plus a series diode per the LIN specification. The TLIN1029-Q1 provides many protection features such as immunity to ESD and high bus standoff voltage. The device also provides two methods to wake up: EN pin and from the LIN bus.

### 9.2 Functional Block Diagram



### 9.3 Feature Description

#### 9.3.1 LIN (Local Interconnect Network) Bus

This high voltage input/output pin is a single-wire LIN bus transmitter and receiver. The LIN pin can survive transient voltages up to 45 V. Reverse currents from the LIN to supply ( $V_{SUP}$ ) are minimized with blocking diodes, even in the event of a ground shift or loss of supply ( $V_{SUP}$ ).

##### 9.3.1.1 LIN Transmitter Characteristics

The transmitter has thresholds and AC parameters according to the LIN specification. The transmitter is a low-side transistor with internal current limitation and thermal shutdown. During a thermal shut-down condition, the

transmitter is disabled to protect the device. There is an internal pull-up resistor with a serial diode structure to  $V_{SUP}$ , so no external pull-up components are required for the LIN responder mode applications. An external pull-up resistor and series diode to  $V_{SUP}$  must be added when the device is used for a commander mode node application.

### 9.3.1.2 LIN Receiver Characteristics

The receiver's characteristic thresholds are proportional to the device supply pin in accordance to the LIN specification.

The receiver is capable of receiving higher data rates ( $> 100$  kbps) than supported by LIN or SAEJ2602 specifications. This allows the TLIN1029-Q1 to be used for high speed downloads at the end-of-line production or other applications. The actual data rate achievable depends on system time constants (bus capacitance and pull-up resistance) and driver characteristics used in the system.

#### 9.3.1.2.1 Termination

There is an internal pull-up resistor with a serial diode structure to  $V_{SUP}$ , so no external pull-up components are required for the LIN responder mode applications. An external pull-up resistor ( $1\text{ k}\Omega$ ) and a series diode to  $V_{SUP}$  must be added when the device is used for com mode applications as per the LIN specification.

图 9-1 shows a commander node configuration and how the voltage levels are defined

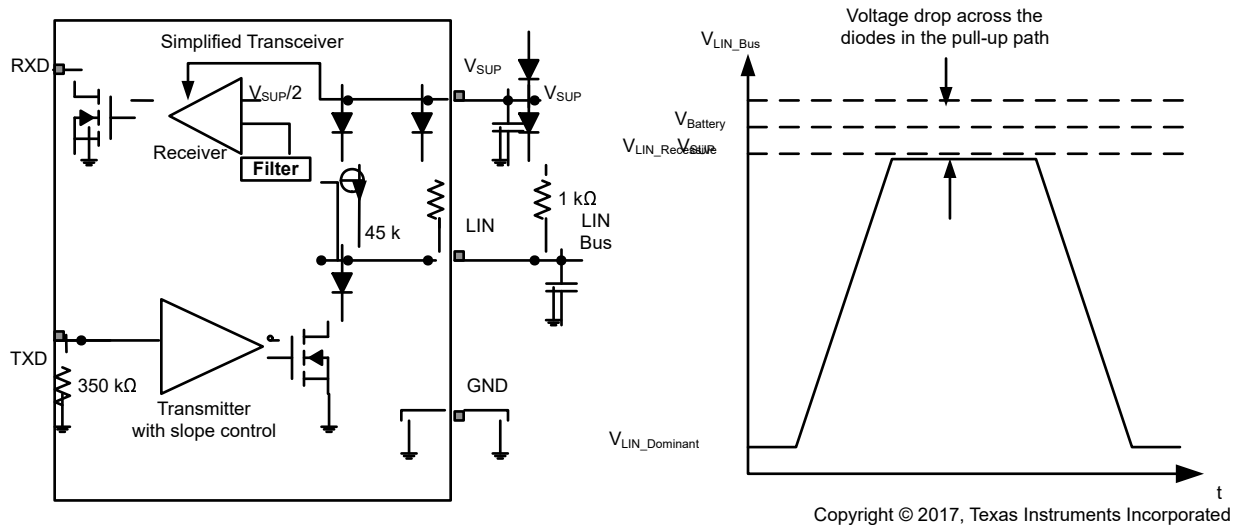


图 9-1. Commander Node Configuration with Voltage Levels

### 9.3.2 TXD (Transmit Input and Output)

TXD is the interface to the MCU's LIN protocol controller or SCI and UART that is used to control the state of the LIN output. When TXD is low the LIN output is dominant (near ground). When TXD is high the LIN output is recessive (near  $V_{Battery}$ ). See 图 9-1. The TXD input structure is compatible with microcontrollers with 3.3 V and 5 V I/O. TXD has an internal pull-down resistor. The LIN bus is protected from being stuck dominant through a system failure driving TXD low through the dominant state timer-out timer.

### 9.3.3 RXD (Receive Output)

RXD is the interface to the MCU's LIN protocol controller or SCI and UART, which reports the state of the LIN bus voltage. LIN recessive (near  $V_{Battery}$ ) is represented by a high level on the RXD and LIN dominant (near ground) is represented by a low level on the RXD pin. The RXD output structure is an open-drain output stage. This allows the device to be used with 3.3 V and 5 V I/O microcontrollers. If the microcontroller's RXD pin does not have an integrated pull-up, an external pull-up resistor to the microcontroller I/O supply voltage is required. In standby mode the RXD pin is driven low to indicate a wake-up request from the LIN bus.

### 9.3.4 V<sub>SUP</sub> (Supply Voltage)

V<sub>SUP</sub> is the power supply pin. V<sub>SUP</sub> is connected to the battery through an external reverse-blocking diode (图 9-1). If there is a loss of power at the ECU level, the device has extremely low leakage from the LIN pin, which does not load the bus down. This is optimal for LIN systems in which some of the nodes are unpowered (ignition supplied) while the rest of the network remains powered (battery supplied).

### 9.3.5 GND (Ground)

GND is the device ground connection. The device can operate with a ground shift as long as the ground shift does not reduce the V<sub>SUP</sub> below the minimum operating voltage, as well as ensuring the input and output voltages are within their appropriate thresholds. If there is a loss of ground at the ECU level, the device has extremely low leakage from the LIN pin, which does not load the bus down. This is optimal for LIN systems in which some of the nodes are unpowered (ignition supplied) while the rest of the network remains powered (battery supplied).

### 9.3.6 EN (Enable Input)

EN controls the operational modes of the device. When EN is high the device is in normal operating mode allowing a transmission path from TXD to LIN and from LIN to RXD. When EN is low the device is put into sleep mode and there are no transmission paths available. The device can enter normal mode only after wake-up. EN has an internal pull-down resistor to ensure the device remains in low-power mode even if EN floats.

### 9.3.7 Protection Features

The TLIN1029-Q1 has several protection features, described below.

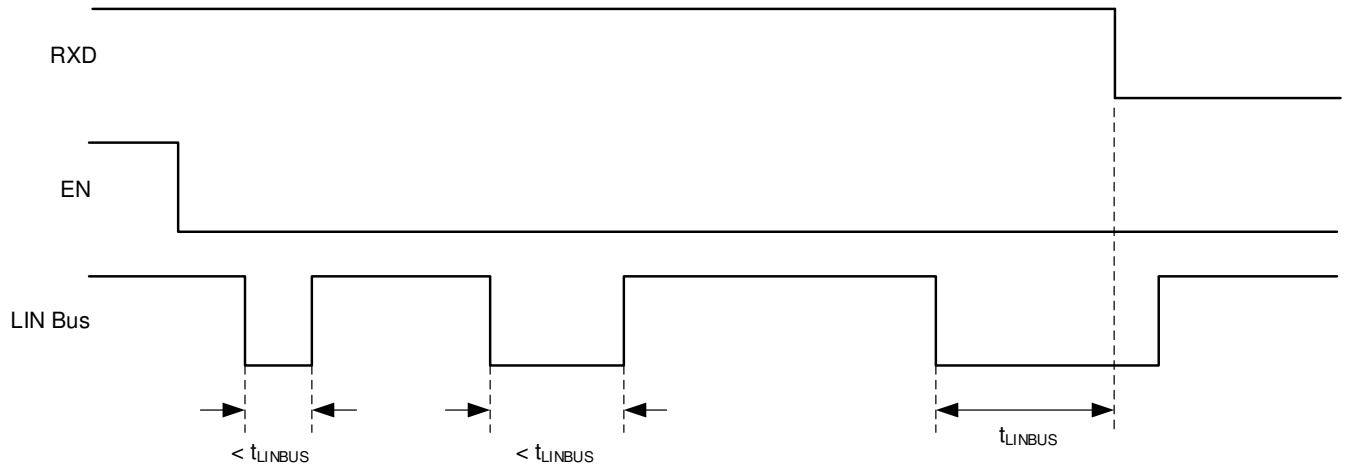
### 9.3.8 TXD Dominant Time Out (DTO)

During normal mode, if TXD is inadvertently driven permanently low by a hardware or software application failure, the LIN bus is protected by the dominant state timeout timer. This timer is triggered by a falling edge on the TXD pin. If the low signal remains on TXD for longer than t<sub>DST</sub>, the transmitter is disabled, thus allowing the LIN bus to return to recessive state and communication to resume on the bus. The protection is cleared and the t<sub>DST</sub> timer is reset by a rising edge on TXD. The TXD pin has an internal pull-down to ensure the device fails to a known state if TXD is disconnected. During this fault, the transceiver remains in normal mode (assuming no change of stated request on EN), the transmitter is disabled, the RXD pin reflects the LIN bus and the LIN bus pull-up termination remains on.

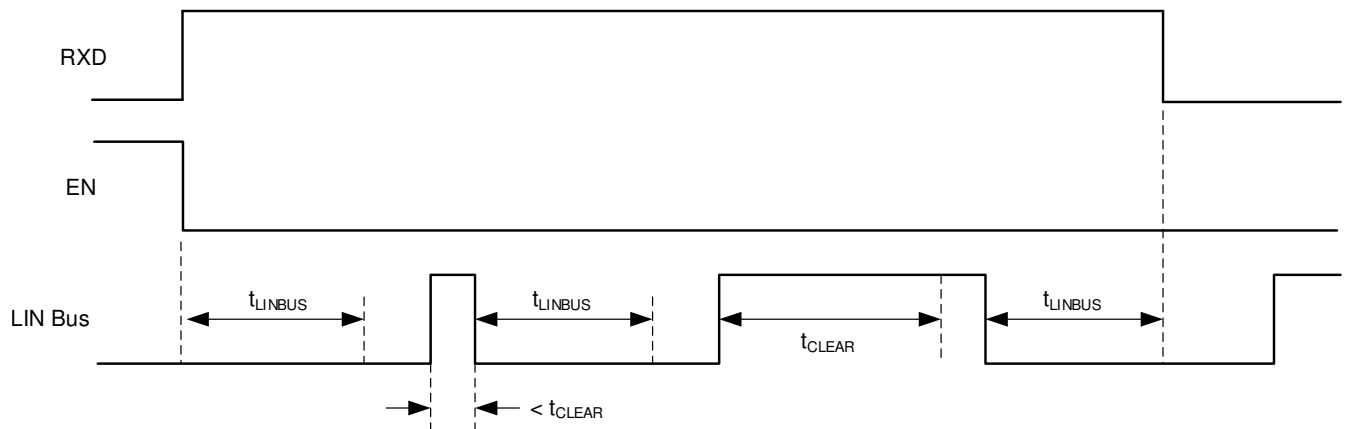
### 9.3.9 Bus Stuck Dominant System Fault: False Wake-Up Lockout

The TLIN1029-Q1 contains logic to detect bus stuck dominant system faults and prevents the device from waking up falsely during the system fault. Upon entering sleep mode, the device detects the state of the LIN bus. If the bus is dominant, the wake-up logic is locked out until a valid recessive on the bus “clears” the bus stuck dominant, preventing excessive current consumption. 图 9-2 and 图 9-3 show the behavior of this protection.





**图 9-2. No Bus Fault: Entering Sleep Mode with Bus Recessive Condition and Wake-Up**



**图 9-3. Bus Fault: Entering Sleep Mode with Bus Stuck Dominant Fault, Clearing, and Wake-Up**

### 9.3.10 Thermal Shutdown

The LIN transmitter is protected by current limiting circuitry; however, if the junction temperature of the device exceeds the thermal shutdown threshold, the device puts the LIN transmitter into the recessive state. Once the over-temperature fault condition has been removed and the junction temperature has cooled beyond the hysteresis temperature, the transmitter is re-enabled, assuming the device remained in the normal operation mode. During this fault, the transceiver remains in normal mode (assuming no change of state request on EN), the transmitter is in recessive state, the RXD pin reflects the LIN bus and LIN bus pull-up termination remains on.

### 9.3.11 Under Voltage on $V_{SUP}$

The TLIN1029-Q1 contains a power-on reset circuit to avoid false bus messages during under voltage conditions when  $V_{SUP}$  is less than  $UV_{SUP}$ .

### 9.3.12 Unpowered Device and LIN Bus

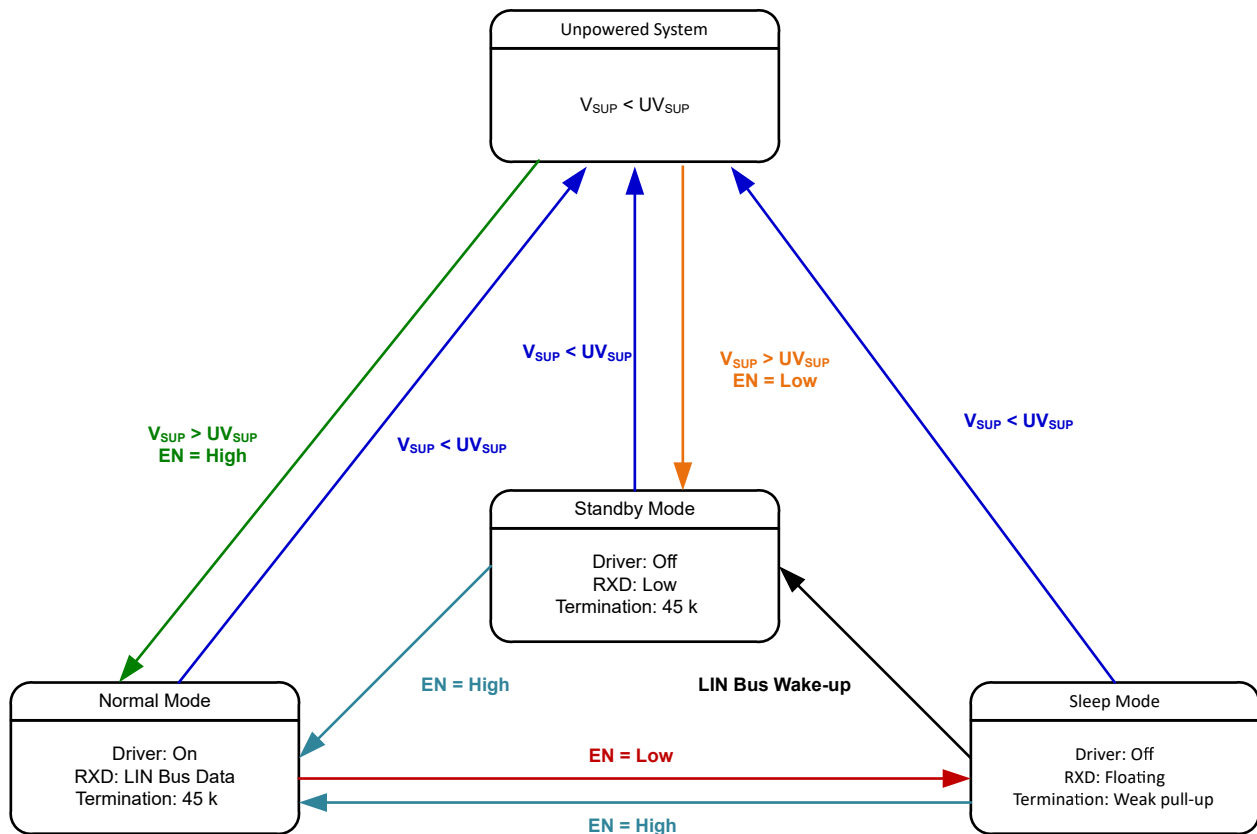
In automotive applications some LIN nodes in a system can be unpowered (ignition supplied) while others in the network remain powered by the battery. The TLIN1029-Q1 has extremely low unpowered leakage current from the bus so an unpowered node does not affect the network or load it down.

### 9.4 Device Functional Modes

The TLIN1029-Q1 has three functional modes of operation: normal, sleep, and standby. The next sections will describe these modes as well as how the device moves between the different modes. 图 9-4 graphically shows the relationship while 表 9-1 shows the state of pins.

表 9-1. Operating Modes

| MODE    | EN   | RXD          | LIN BUS TERMINATION  | TRANSMITTER | COMMENT  |
|---------|------|--------------|----------------------|-------------|--|
| Sleep   | Low  | Floating     | Weak current pull-up | Off         |  |
| Standby | Low  | Low          | 45 kΩ (typical)      | Off         | Wake-up event detected, waiting on MCU to set EN |
| Normal  | High | LIN bus data | 45 kΩ (typical)      | On          | LIN transmission up to 20 kbps                   |



Copyright © 2017, Texas Instruments Incorporated

图 9-4. Operating State Diagram

#### 9.4.1 Normal Mode

If the EN pin is high at power up the device will power up in normal mode. If the EN pin is low, it will power up in standby mode. The EN pin controls the mode of the device. In normal operational mode the receiver and transmitter are active and the LIN transmission up to the LIN specified maximum of 20 kbps is supported. The receiver detects the data stream on the LIN bus and outputs it on RXD for the LIN controller. A recessive signal on the LIN bus is a logic high and a dominant signal on the LIN bus is a logic low. The driver transmits input data from TXD to the LIN bus. Normal mode is entered as EN transitions high while the TLIN1029-Q1 is in sleep or standby mode for  $> t_{MODE\_CHANGE}$  plus  $t_{NOMINT}$ .

### 9.4.2 Sleep Mode

Sleep mode is the power saving mode for the TLIN1029-Q1. Sleep mode is only entered when the EN pin is low and from normal mode. Even with extremely low current consumption in this mode, the TLIN1029-Q1 can still wake up from LIN bus through a wake-up signal or if EN is set high for  $\geq t_{\text{MODE\_CHANGE}}$ . The LIN bus is filtered to prevent false wake-up events. The wake-up events must be active for the respective time periods ( $t_{\text{LINBUS}}$ ).

The sleep mode is entered by setting EN low for longer than  $t_{\text{MODE\_CHANGE}}$ .

While the device is in sleep mode, the following conditions exist:

- The LIN bus driver is disabled and the internal LIN bus termination is switched off (to minimize power loss if LIN is short circuited to ground). However, the weak current pull-up is active to prevent false wake-up events in case an external connection to the LIN bus is lost.
- The normal receiver is disabled.
- EN input and LIN wake-up receiver are active.

### 9.4.3 Standby Mode

This mode is entered whenever a wake-up event occurs through LIN bus while the device is in sleep mode. The LIN bus responder mode termination circuit is turned on when standby mode is entered. Standby mode is signaled through a low level on RXD. See [# 10.2.2.2](#) for more application information.

When EN is set high for longer than  $t_{\text{MODE\_CHANGE}}$  while the device is in standby mode, the device returns to normal mode. The normal transmission paths from TXD to LIN bus and LIN bus to RXD are enabled.

### 9.4.4 Wake-Up Events

There are two ways to wake up from sleep mode:

- Remote wake-up initiated by the falling edge of a recessive (high) to dominant (low) state transition on LIN bus where the dominant state is held for  $t_{\text{LINBUS}}$  filter time. After this  $t_{\text{LINBUS}}$  filter time has been met and a rising edge on the LIN bus going from dominant state to recessive state initiates a remote wake-up event, eliminating false wake-ups from disturbances on the LIN bus or if the bus is shorted to ground.
- Local wake-up through EN being set high for longer than  $t_{\text{MODE\_CHANGE}}$ .

#### 9.4.4.1 Wake-Up Request (RXD)

When the TLIN1029-Q1 encounters a wake-up event from the LIN bus, RXD goes low and the device transitions to standby mode until EN is reasserted high and the device enters normal mode. Once the device enters normal mode, the RXD pin releases the wake-up request signal and the RXD pin then reflects the receiver output from the LIN bus.

#### 9.4.4.2 Mode Transitions

When the TLIN1029-Q1 is transitioning from normal to sleep or standby modes the device needs the time  $t_{\text{MODE\_CHANGE}}$  to allow the change to fully propagate from the EN pin through the device into the new state. When transitioning from sleep or standby to normal mode the device needs  $t_{\text{MODE\_CHANGE}}$  plus  $t_{\text{NOMINT}}$ .

## 10 Application and Implementation

### 备注

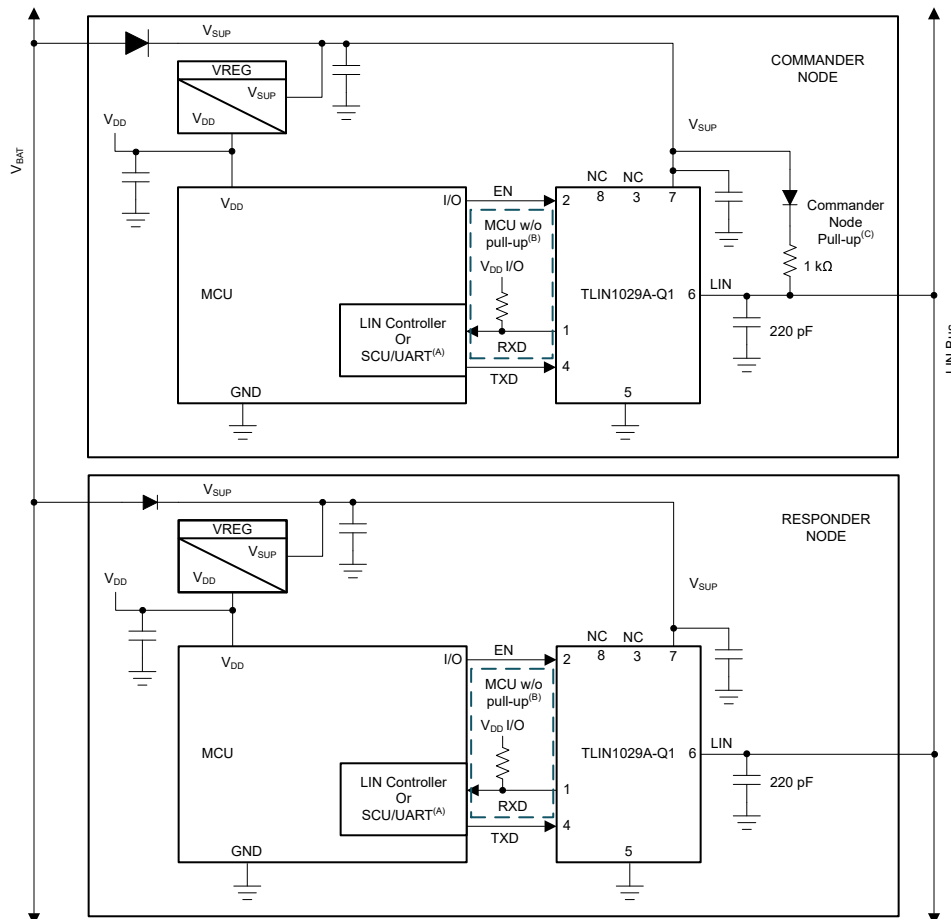
Information in the following applications sections is not part of the TI component specification, and TI does not warrant its accuracy or completeness. TI's customers are responsible for determining suitability of components for their purposes. Customers should validate and test their design implementation to confirm system functionality.

### 10.1 Application Information

The TLIN1029-Q1 can be used as both a responder node device and a commander node device in a LIN network. The device comes with the ability to support both remote wake-up request and local wake-up request.

### 10.2 Typical Application

The device integrates a 45 kΩ pull-up resistor and series diode for responder node applications. For commander applications an external 1 kΩ pull-up resistor with series blocking diode can be used. 图 10-1 shows the device being used in both commander mode and responder mode applications.



- A. If RXD on MCU on LIN responder node has internal pull-up, no external pull-up resistor is needed.
- B. If RXD on MCU on LIN responder node does not have an internal pull-up, requires external pull-up resistor.
- C. Commander node applications require an external 1 kΩ pull-up resistor and serial diode.
- D. Decoupling capacitor values are system dependent but usually have 100 nF, 1 μF and  $\geq 10 \mu\text{F}$ .

图 10-1. Typical LIN Bus

### 10.2.1 Design Requirements

The RXD output structure is an open-drain output stage. This allows the TLIN1029-Q1 to be used with 3.3-V and 5-V I/O processor. If the RXD pin of the processor does not have an integrated pull-up, an external pull-up resistor to the processor I/O supply voltage is required. The select external pull-up resistor value should be between 1 kΩ to 10 kΩ, depending on supply used (See I<sub>OL</sub> in electrical characteristics). The V<sub>SUP</sub> pin of the device should be decoupled with a 100-nF capacitor as close to the supply pin of the device as possible.

### 10.2.2 Detailed Design Procedures

#### 10.2.2.1 Normal Mode Application Note

When using the TLIN1029-Q1 in systems which are monitoring the RXD pin for a wake-up request, special care should be taken during the mode transitions. The output of the RXD pin is indeterminate for the transition period between states as the receivers are switched. The application software should not look for an edge on the RXD pin indicating a wake-up request until t<sub>MODE\_CHANGE</sub>. This is shown in 图 8-15

#### 10.2.2.2 Standby Mode Application Note

If the TLIN1029-Q1 detects an under voltage on V<sub>SUP</sub> the RXD pin transitions low and would signal to the software that the TLIN1029-Q1 is in standby mode and should be returned to sleep mode for the lowest power state.

#### 10.2.2.2.1 TXD Dominant State Timeout Application Note

The maximum dominant TXD time allowed by the TXD dominant state time out limits the minimum possible data rate of the device. The LIN protocol has different constraints for a commander node and responder node applications thus there are different maximum consecutive dominant bits for each application case and thus different minimum data rates.

### 10.2.3 Application Curves

The below figures show the propagation delay from the TXD pin to the LIN pin for both dominant to recessive and recessive to dominant stated under lightly loaded conditions.

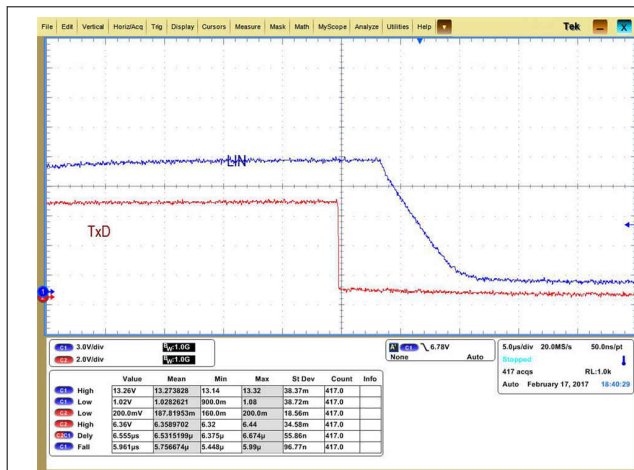


图 10-2. Recessive to Dominant Propagation

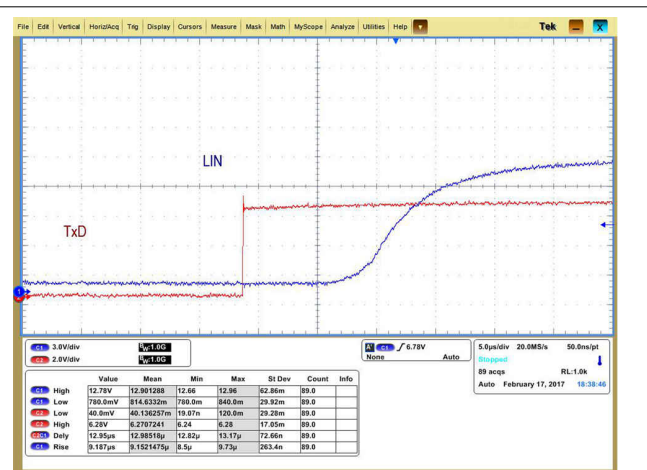


图 10-3. Dominant to Recessive Propagation

## 11 Power Supply Recommendations

The TLIN1029-Q1 was designed to operate directly off a car battery, or any other DC supply ranging from 4 V to 36 V. A 100 nF decoupling capacitor should be placed as close to the V<sub>SUP</sub> pin of the device as possible. It is good practice for some applications with noisier supplies to include 1 µF and 10 µF decoupling capacitor, as well.

## 12 Layout

In order for your PCB design to be successful, start with design of the protection and filtering circuitry. Because ESD transients have a wide frequency bandwidth from approximately 3 MHz to 3 GHz, high frequency layout techniques must be applied during PCB design. Placement at the connector also prevents these noisy events from propagating further into the PCB and system.

### 12.1 Layout Guidelines

- **Pin 1 (RXD):** The pin is an open-drain output and requires an external pull-up resistor in the range of 1 k $\Omega$  to 10 k $\Omega$  to function properly. Note that the minimum value will depend on the VIO supply used. See I<sub>OL</sub> in electrical specifications. If the microprocessor paired with the transceiver does not have an integrated pull-up, an external resistor should be placed between RXD and the regulated voltage supply for the microprocessor.
- **Pin 2 (EN):** EN is an input pin that is used to place the device in a low-power sleep mode. If this feature is not used the pin should be pulled high to the regulated voltage supply of the microprocessor through a series resistor between 1 k $\Omega$  and 10 k $\Omega$ . Additionally, a series resistor may be placed on the pin to limit current on the digital lines in the case of an over voltage fault.
- **Pin 3 (NC):** Not Connected.
- **Pin 4 (TXD):** The TXD pin is used to transmit the input signal from the microcontroller. A series resistor can be placed to limit the input current to the device in the case of an over-voltage on this pin. A capacitor to ground can be placed close to the input pin of the device to filter noise.
- **Pin 5 (GND):** This is the ground connection for the device. This pin should be tied to the ground plane through a short trace with the use of two vias to limit total return inductance.
- **Pin 6 (LIN):** This pin connects to the LIN bus. For responder mode applications, a 220 pF capacitor to ground is implemented. For commander mode applications, an additional series resistor and blocking diode should be placed between the LIN pin and the V<sub>SUP</sub> pin. See [图 10-1](#).
- **Pin 7 (VSUP):** This is the supply pin for the device. A 100 nF decoupling capacitor should be placed as close to the device as possible.
- **Pin 8 (NC):** Not Connected.

---

#### 备注

All ground and power connections should be made as short as possible and use at least two vias to minimize the total loop inductance.

---

## 12.2 Layout Example

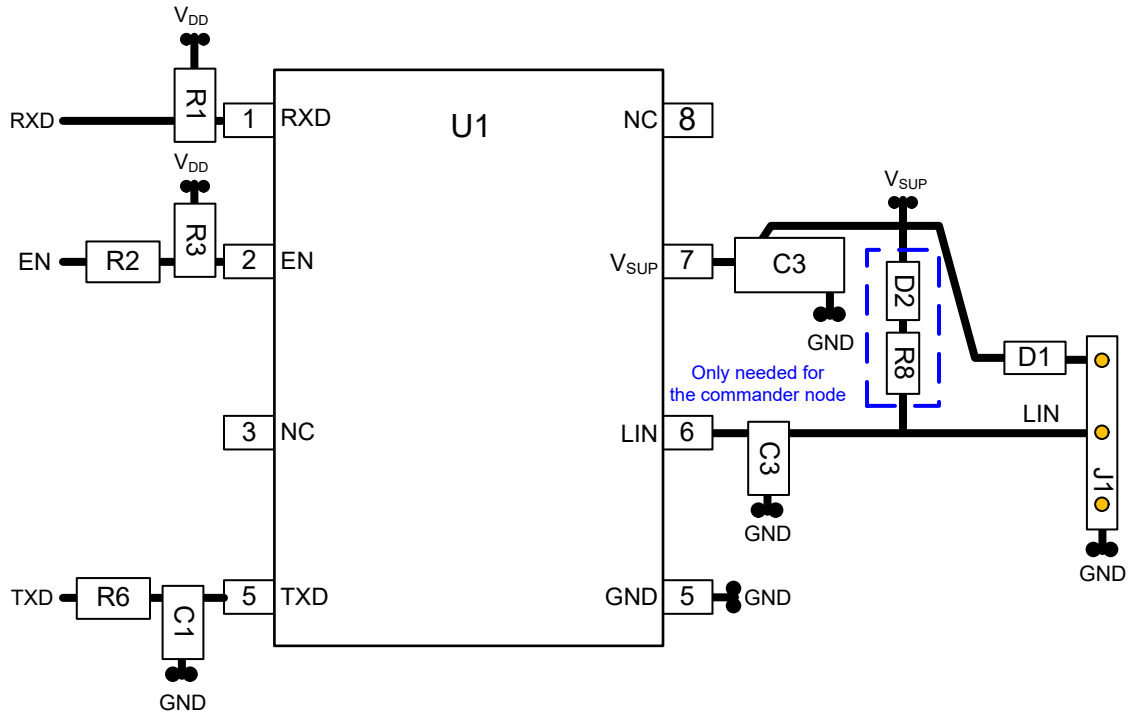


图 12-1. Layout Example

## 13 Device and Documentation Support

### 13.1 Documentation Support

#### 13.1.1 Related Documentation

[TLIN1029-Q1 and TLIN2029-Q1 Duty Cycle Over  \$V\_{SUP}\$](#)

For related documentation see the following:

- LIN Standards:
  - ISO/DIS 17987-1: Road vehicles -- Local Interconnect Network (LIN) -- Part 1: General information and use case definition
  - ISO/DIS 17987-4: Road vehicles -- Local Interconnect Network (LIN) -- Part 4: Electrical Physical Layer (EPL) specification 12V/24V
  - SAEJ2602-1: LIN Network for Vehicle Applications
  - LIN Specifications LIN 2.0, LIN 2.1, LIN 2.2 and LIN 2.2A
- EMC requirements:
  - SAEJ2962-1: Communication Transceivers Qualification Requirements - LIN
  - ISO 10605: Road vehicles - Test methods for electrical disturbances from electrostatic discharge
  - ISO 11452-4:2011: Road vehicles - Component test methods for electrical disturbances from narrowband radiated electromagnetic energy - Part 4: Harness excitation methods
  - ISO 7637-1:2015: Road vehicles - Electrical disturbances from conduction and coupling - Part 1: Definitions and general considerations
  - ISO 7637-3: Road vehicles - Electrical disturbances from conduction and coupling - Part 3: Electrical transient transmission by capacitive and inductive coupling via lines other than supply lines
  - IEC 62132-4:2006: Integrated circuits - Measurement of electromagnetic immunity 150 kHz to 1 GHz - Part 4: Direct RF power injection method
  - IEC 61000-4-2
  - IEC 61967-4
  - CISPR25
- Conformance Test requirements:
  - ISO/DIS 17987-7.2: Road vehicles -- Local Interconnect Network (LIN) -- Part 7: Electrical Physical Layer (EPL) conformance test specification
  - SAEJ2602-2: LIN Network for Vehicle Applications Conformance Test
- 

### 13.2 Receiving Notification of Documentation Updates

To receive notification of documentation updates, navigate to the device product folder on ti.com. In the upper right corner, click on *Alert me* to register and receive a weekly digest of any product information that has changed. For change details, review the revision history included in any revised document.

### 13.3 支持资源

TI E2E™ 支持论坛是工程师的重要参考资料，可直接从专家获得快速、经过验证的解答和设计帮助。搜索现有解答或提出自己的问题可获得所需的快速设计帮助。

链接的内容由各个贡献者“按原样”提供。这些内容并不构成 TI 技术规范，并且不一定反映 TI 的观点；请参阅 TI 的《使用条款》。

### 13.4 Trademarks

TI E2E™ is a trademark of Texas Instruments.

所有商标均为其各自所有者的财产。



### 13.5 Electrostatic Discharge Caution



This integrated circuit can be damaged by ESD. Texas Instruments recommends that all integrated circuits be handled with appropriate precautions. Failure to observe proper handling and installation procedures can cause damage.

ESD damage can range from subtle performance degradation to complete device failure. Precision integrated circuits may be more susceptible to damage because very small parametric changes could cause the device not to meet its published specifications.

### 13.6 术语表

[TI 术语表](#) 本术语表列出并解释了术语、首字母缩略词和定义。

## 14 Mechanical, Packaging, and Orderable Information

The following pages include mechanical, packaging, and orderable information. This information is the most current data available for the designated devices. This data is subject to change without notice and revision of this document. For browser-based versions of this data sheet, refer to the left-hand navigation.

**PACKAGING INFORMATION**

| Orderable Device | Status<br>(1) | Package Type | Package Drawing | Pins | Package Qty | Eco Plan<br>(2) | Lead finish/<br>Ball material<br>(6) | MSL Peak Temp<br>(3) | Op Temp (°C) | Device Marking<br>(4/5) | Samples                 |
|------------------|---------------|--------------|-----------------|------|-------------|-----------------|--------------------------------------|----------------------|--------------|-------------------------|-------------------------|
| TLIN1029DQ1      | ACTIVE        | SOIC         | D               | 8    | 75          | RoHS & Green    | NIPDAUAG                             | Level-1-260C-UNLIM   | -40 to 125   | TL029                   | <a href="#">Samples</a> |
| TLIN1029DRBRQ1   | ACTIVE        | SON          | DRB             | 8    | 3000        | RoHS & Green    | NIPDAU   SN                          | Level-2-260C-1 YEAR  | -40 to 125   | TL029                   | <a href="#">Samples</a> |
| TLIN1029DRBTQ1   | ACTIVE        | SON          | DRB             | 8    | 250         | RoHS & Green    | NIPDAU   SN                          | Level-2-260C-1 YEAR  | -40 to 125   | TL029                   | <a href="#">Samples</a> |
| TLIN1029DRQ1     | ACTIVE        | SOIC         | D               | 8    | 2500        | RoHS & Green    | NIPDAUAG                             | Level-1-260C-UNLIM   | -40 to 125   | TL029                   | <a href="#">Samples</a> |
| TLIN1029MDRBRQ1  | ACTIVE        | SON          | DRB             | 8    | 3000        | RoHS & Green    | NIPDAU   SN                          | Level-2-260C-1 YEAR  | -40 to 125   | TL029                   | <a href="#">Samples</a> |

(1) The marketing status values are defined as follows:

**ACTIVE:** Product device recommended for new designs.

**LIFEBUY:** TI has announced that the device will be discontinued, and a lifetime-buy period is in effect.

**NRND:** Not recommended for new designs. Device is in production to support existing customers, but TI does not recommend using this part in a new design.

**PREVIEW:** Device has been announced but is not in production. Samples may or may not be available.

**OBSELETE:** TI has discontinued the production of the device.

(2) **RoHS:** TI defines "RoHS" to mean semiconductor products that are compliant with the current EU RoHS requirements for all 10 RoHS substances, including the requirement that RoHS substance do not exceed 0.1% by weight in homogeneous materials. Where designed to be soldered at high temperatures, "RoHS" products are suitable for use in specified lead-free processes. TI may reference these types of products as "Pb-Free".

**RoHS Exempt:** TI defines "RoHS Exempt" to mean products that contain lead but are compliant with EU RoHS pursuant to a specific EU RoHS exemption.

**Green:** TI defines "Green" to mean the content of Chlorine (Cl) and Bromine (Br) based flame retardants meet JS709B low halogen requirements of <=1000ppm threshold. Antimony trioxide based flame retardants must also meet the <=1000ppm threshold requirement.

(3) MSL, Peak Temp. - The Moisture Sensitivity Level rating according to the JEDEC industry standard classifications, and peak solder temperature.

(4) There may be additional marking, which relates to the logo, the lot trace code information, or the environmental category on the device.

(5) Multiple Device Markings will be inside parentheses. Only one Device Marking contained in parentheses and separated by a "~" will appear on a device. If a line is indented then it is a continuation of the previous line and the two combined represent the entire Device Marking for that device.

(6) Lead finish/Ball material - Orderable Devices may have multiple material finish options. Finish options are separated by a vertical ruled line. Lead finish/Ball material values may wrap to two lines if the finish value exceeds the maximum column width.

**Important Information and Disclaimer:** The information provided on this page represents TI's knowledge and belief as of the date that it is provided. TI bases its knowledge and belief on information provided by third parties, and makes no representation or warranty as to the accuracy of such information. Efforts are underway to better integrate information from third parties. TI has taken and continues to take reasonable steps to provide representative and accurate information but may not have conducted destructive testing or chemical analysis on incoming materials and chemicals. TI and TI suppliers consider certain information to be proprietary, and thus CAS numbers and other limited information may not be available for release.

In no event shall TI's liability arising out of such information exceed the total purchase price of the TI part(s) at issue in this document sold by TI to Customer on an annual basis.

**TAPE AND REEL INFORMATION**

**QUADRANT ASSIGNMENTS FOR PIN 1 ORIENTATION IN TAPE**

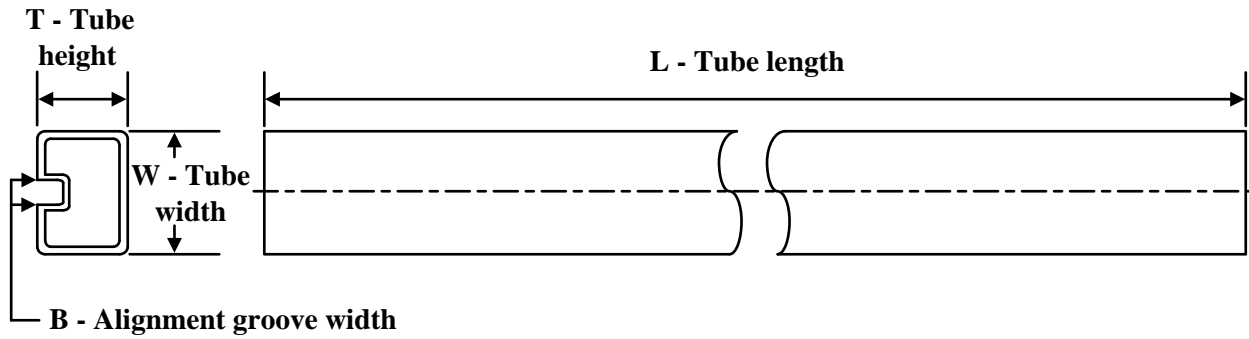

\*All dimensions are nominal

| Device          | Package Type | Package Drawing | Pins | SPQ  | Reel Diameter (mm) | Reel Width W1 (mm) | A0 (mm) | B0 (mm) | K0 (mm) | P1 (mm) | W (mm) | Pin1 Quadrant |
|-----------------|--------------|-----------------|------|------|--------------------|--------------------|---------|---------|---------|---------|--------|---------------|
| TLIN1029DRBRQ1  | SON          | DRB             | 8    | 3000 | 330.0              | 12.4               | 3.3     | 3.3     | 1.1     | 8.0     | 12.0   | Q2            |
| TLIN1029DRBTQ1  | SON          | DRB             | 8    | 250  | 180.0              | 12.4               | 3.3     | 3.3     | 1.0     | 8.0     | 12.0   | Q2            |
| TLIN1029DRBQ1   | SON          | DRB             | 8    | 250  | 180.0              | 12.4               | 3.3     | 3.3     | 1.1     | 8.0     | 12.0   | Q2            |
| TLIN1029DRQ1    | SOIC         | D               | 8    | 2500 | 330.0              | 12.4               | 6.4     | 5.2     | 2.1     | 8.0     | 12.0   | Q1            |
| TLIN1029MDRBRQ1 | SON          | DRB             | 8    | 3000 | 330.0              | 12.4               | 3.3     | 3.3     | 1.0     | 8.0     | 12.0   | Q1            |
| TLIN1029MDRBRQ1 | SON          | DRB             | 8    | 3000 | 330.0              | 12.4               | 3.3     | 3.3     | 1.1     | 8.0     | 12.0   | Q1            |

**TAPE AND REEL BOX DIMENSIONS**


\*All dimensions are nominal

| Device          | Package Type | Package Drawing | Pins | SPQ  | Length (mm) | Width (mm) | Height (mm) |
|-----------------|--------------|-----------------|------|------|-------------|------------|-------------|
| TLIN1029DRBRQ1  | SON          | DRB             | 8    | 3000 | 367.0       | 367.0      | 35.0        |
| TLIN1029DRBTQ1  | SON          | DRB             | 8    | 250  | 213.0       | 191.0      | 35.0        |
| TLIN1029DRBTQ1  | SON          | DRB             | 8    | 250  | 210.0       | 185.0      | 35.0        |
| TLIN1029DRQ1    | SOIC         | D               | 8    | 2500 | 366.0       | 364.0      | 50.0        |
| TLIN1029MDRBRQ1 | SON          | DRB             | 8    | 3000 | 367.0       | 367.0      | 38.0        |
| TLIN1029MDRBRQ1 | SON          | DRB             | 8    | 3000 | 367.0       | 367.0      | 35.0        |

**TUBE**


\*All dimensions are nominal

| Device      | Package Name | Package Type | Pins | SPQ | L (mm) | W (mm) | T (μm) | B (mm) |
|-------------|--------------|--------------|------|-----|--------|--------|--------|--------|
| TLIN1029DQ1 | D            | SOIC         | 8    | 75  | 517    | 7.87   | 635    | 4.25   |



D0008A

# PACKAGE OUTLINE

SOIC - 1.75 mm max height

SMALL OUTLINE INTEGRATED CIRCUIT



4214825/C 02/2019

### NOTES:

- Linear dimensions are in inches [millimeters]. Dimensions in parenthesis are for reference only. Controlling dimensions are in inches. Dimensioning and tolerancing per ASME Y14.5M.
- This drawing is subject to change without notice.
- This dimension does not include mold flash, protrusions, or gate burrs. Mold flash, protrusions, or gate burrs shall not exceed  $.006$  [0.15] per side.
- This dimension does not include interlead flash.
- Reference JEDEC registration MS-012, variation AA.

# EXAMPLE BOARD LAYOUT

D0008A

SOIC - 1.75 mm max height

SMALL OUTLINE INTEGRATED CIRCUIT



LAND PATTERN EXAMPLE  
EXPOSED METAL SHOWN  
SCALE:8X



SOLDER MASK DETAILS

4214825/C 02/2019

NOTES: (continued)

- 6. Publication IPC-7351 may have alternate designs.
- 7. Solder mask tolerances between and around signal pads can vary based on board fabrication site.



# EXAMPLE STENCIL DESIGN

D0008A

SOIC - 1.75 mm max height

SMALL OUTLINE INTEGRATED CIRCUIT



SOLDER PASTE EXAMPLE  
BASED ON .005 INCH [0.125 MM] THICK STENCIL  
SCALE:8X

4214825/C 02/2019

NOTES: (continued)

8. Laser cutting apertures with trapezoidal walls and rounded corners may offer better paste release. IPC-7525 may have alternate design recommendations.
9. Board assembly site may have different recommendations for stencil design.

**DRB 8**

**GENERIC PACKAGE VIEW**

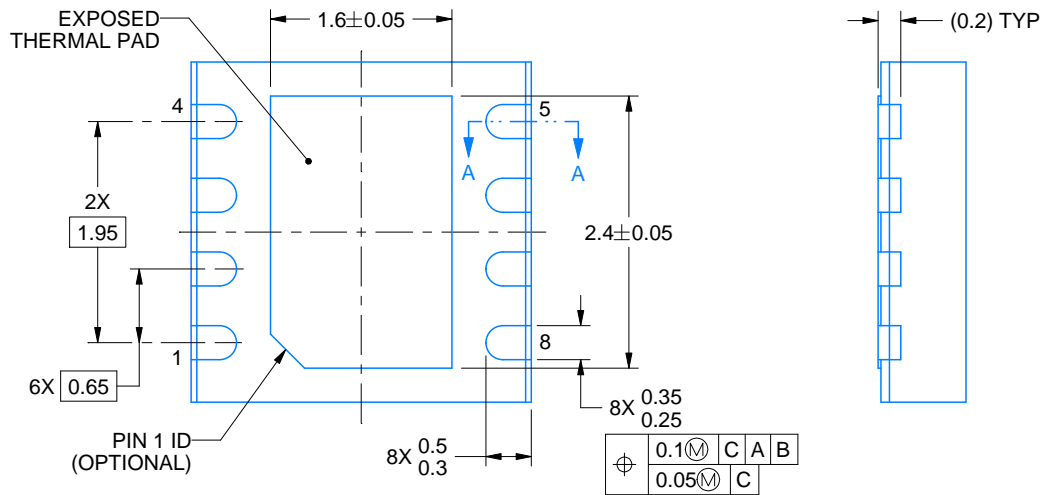
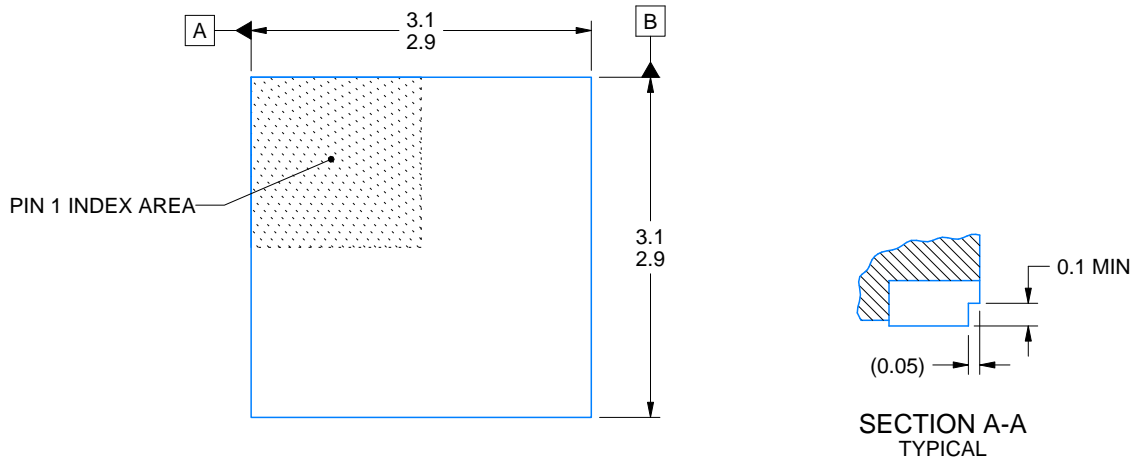
**VSON - 1 mm max height**

PLASTIC SMALL OUTLINE - NO LEAD



Images above are just a representation of the package family, actual package may vary.  
Refer to the product data sheet for package details.

4203482/L



4222121/C 10/2016

NOTES:

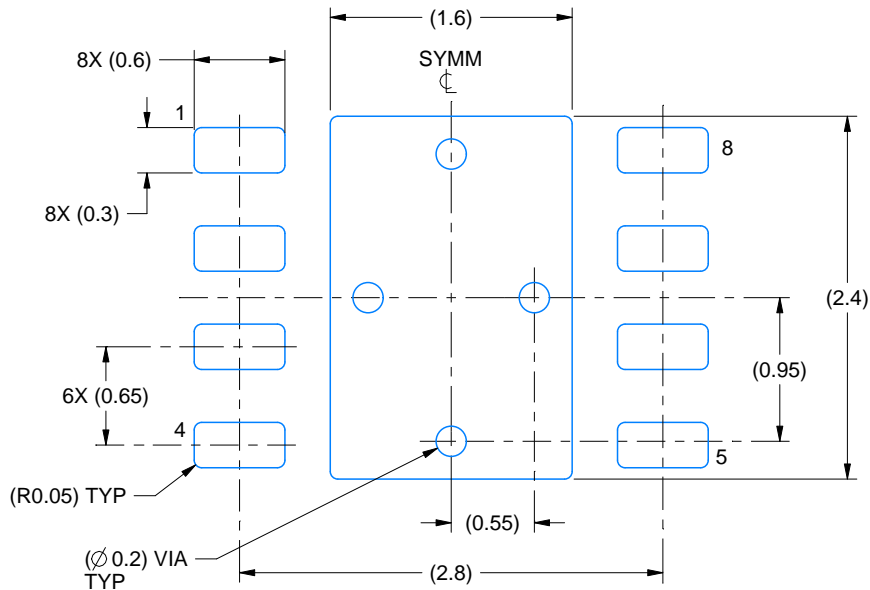
1. All linear dimensions are in millimeters. Any dimensions in parenthesis are for reference only. Dimensioning and tolerancing per ASME Y14.5M.
2. This drawing is subject to change without notice.
3. The package thermal pad must be soldered to the printed circuit board for thermal and mechanical performance.

# EXAMPLE BOARD LAYOUT

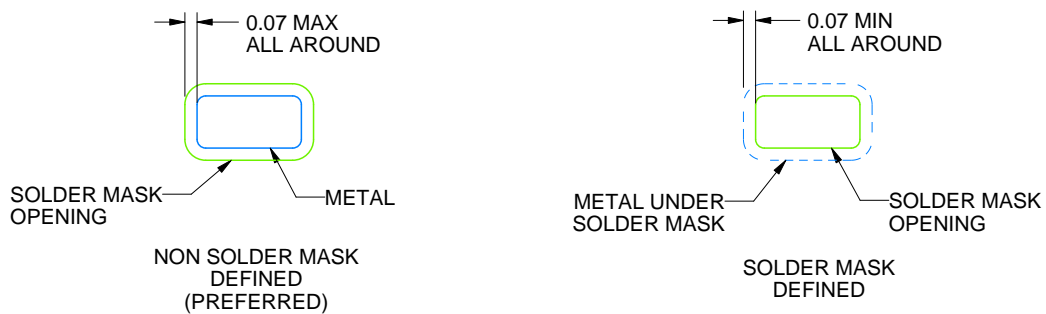
DRB0008F

VSON - 1 mm max height

PLASTIC SMALL OUTLINE - NO LEAD



LAND PATTERN EXAMPLE  
SCALE:20X



SOLDER MASK DETAILS

4222121/C 10/2016

NOTES: (continued)

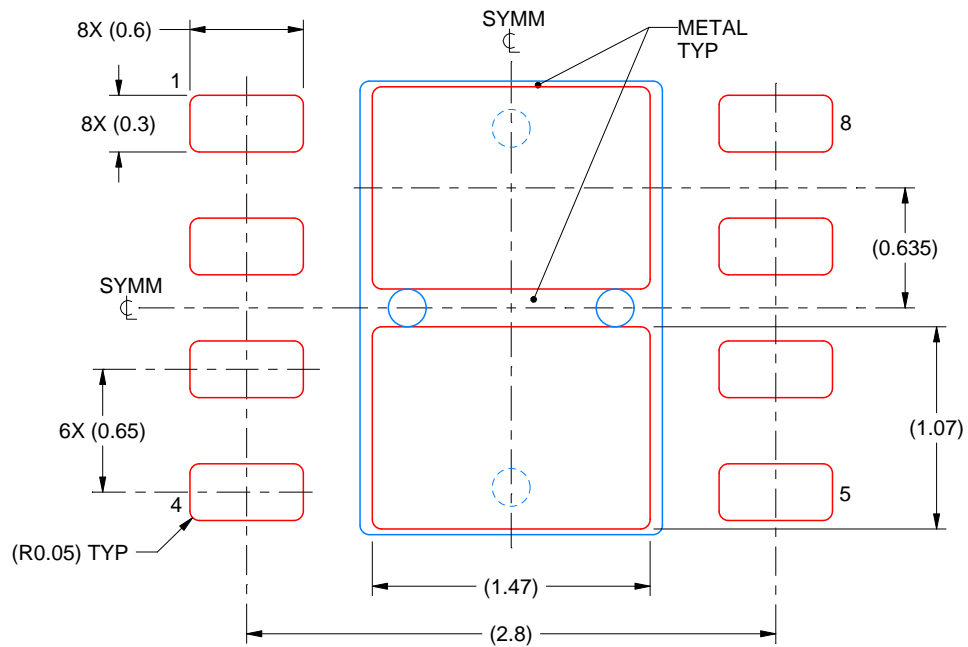
4. This package is designed to be soldered to a thermal pad on the board. For more information, see Texas Instruments literature number SLUA271 ([www.ti.com/lit/slua271](http://www.ti.com/lit/slua271)).
5. Vias are optional depending on application, refer to device data sheet. If any vias are implemented, refer to their locations shown on this view. It is recommended that vias under paste be filled, plugged or tented.

# EXAMPLE STENCIL DESIGN

DRB0008F

VSON - 1 mm max height

PLASTIC SMALL OUTLINE - NO LEAD



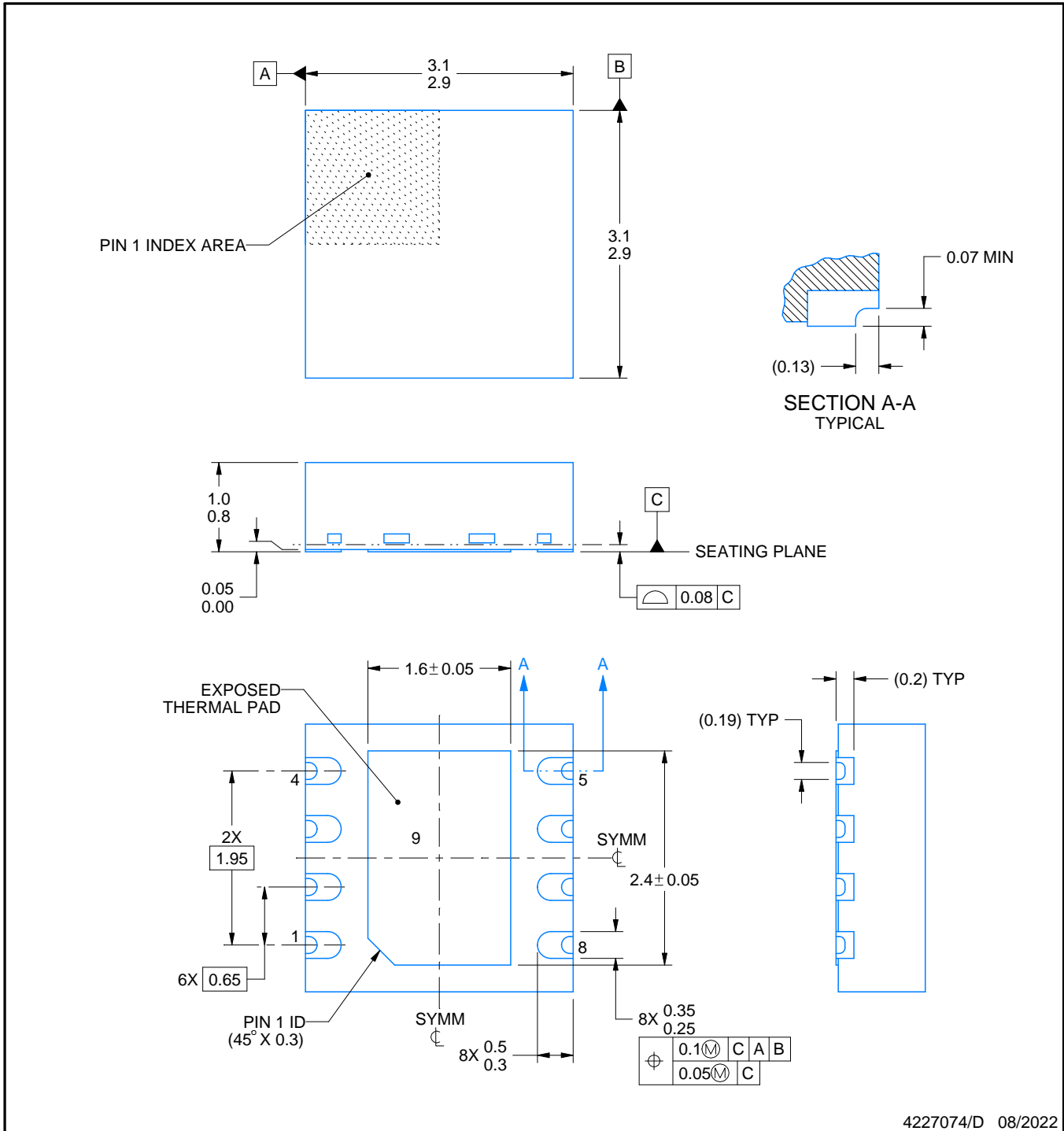
SOLDER PASTE EXAMPLE  
BASED ON 0.125 mm THICK STENCIL

EXPOSED PAD  
82% PRINTED SOLDER COVERAGE BY AREA  
SCALE:25X

4222121/C 10/2016

NOTES: (continued)

6. Laser cutting apertures with trapezoidal walls and rounded corners may offer better paste release. IPC-7525 may have alternate design recommendations.



NOTES:

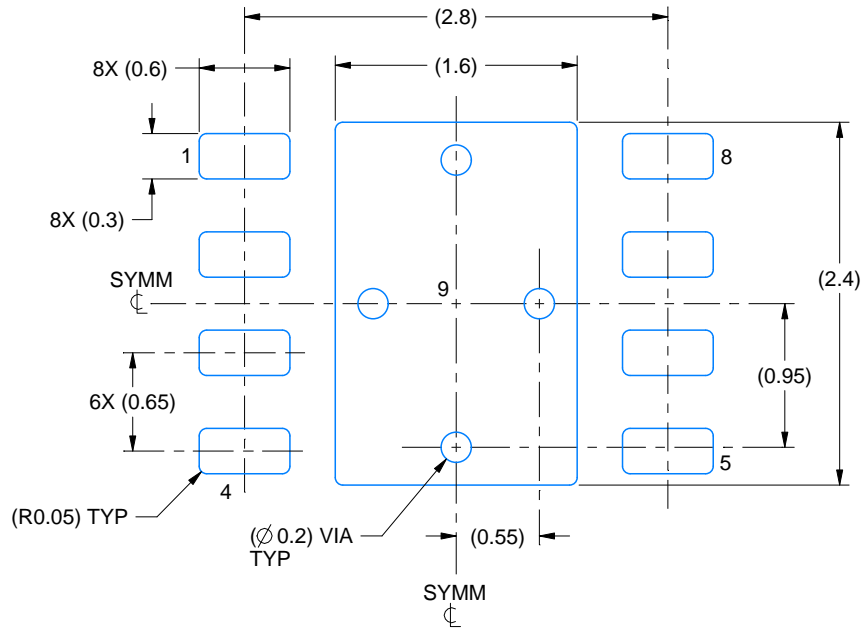
1. All linear dimensions are in millimeters. Any dimensions in parenthesis are for reference only. Dimensioning and tolerancing per ASME Y14.5M.
2. This drawing is subject to change without notice.
3. The package thermal pad must be soldered to the printed circuit board for optimal thermal and mechanical performance.

# EXAMPLE BOARD LAYOUT

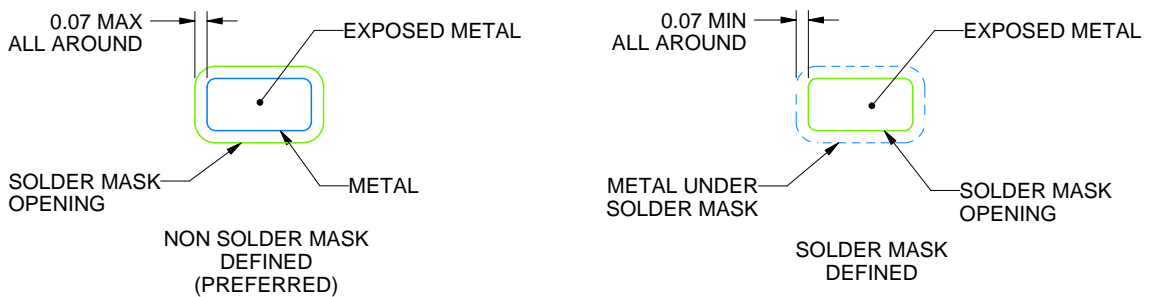
DRB0008K

VSON - 1 mm max height

PLASTIC SMALL OUTLINE - NO LEAD



LAND PATTERN EXAMPLE  
EXPOSED METAL SHOWN  
SCALE:20X



SOLDER MASK DETAILS

4227074/D 08/2022

NOTES: (continued)

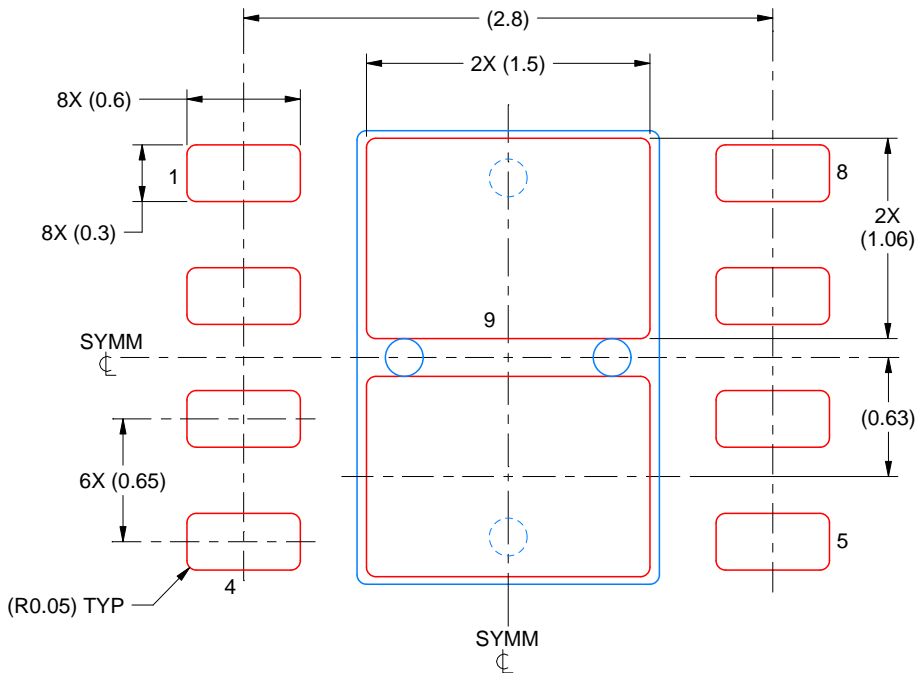
4. This package is designed to be soldered to a thermal pad on the board. For more information, see Texas Instruments literature number SLUA271 ([www.ti.com/lit/sluea271](http://www.ti.com/lit/sluea271)).
5. Vias are optional depending on application, refer to device data sheet. If any vias are implemented, refer to their locations shown on this view. It is recommended that vias under paste be filled, plugged or tented.

# EXAMPLE STENCIL DESIGN

DRB0008K

VSON - 1 mm max height

PLASTIC SMALL OUTLINE - NO LEAD



SOLDER PASTE EXAMPLE  
BASED ON 0.125 mm THICK STENCIL

EXPOSED PAD 9:  
80% PRINTED SOLDER COVERAGE BY AREA  
SCALE:25X

4227074/D 08/2022

NOTES: (continued)

6. Laser cutting apertures with trapezoidal walls and rounded corners may offer better paste release. IPC-7525 may have alternate design recommendations.



## 重要声明和免责声明

TI“按原样”提供技术和可靠性数据（包括数据表）、设计资源（包括参考设计）、应用或其他设计建议、网络工具、安全信息和其他资源，不保证没有瑕疵且不做任何明示或暗示的担保，包括但不限于对适销性、某特定用途方面的适用性或不侵犯任何第三方知识产权的暗示担保。

这些资源可供使用 TI 产品进行设计的熟练开发人员使用。您将自行承担以下全部责任：(1) 针对您的应用选择合适的 TI 产品，(2) 设计、验证并测试您的应用，(3) 确保您的应用满足相应标准以及任何其他功能安全、信息安全、监管或其他要求。

这些资源如有变更，恕不另行通知。TI 授权您仅可将这些资源用于研发本资源所述的 TI 产品的应用。严禁对这些资源进行其他复制或展示。您无权使用任何其他 TI 知识产权或任何第三方知识产权。您应全额赔偿因在这些资源的使用中对 TI 及其代表造成的任何索赔、损害、成本、损失和债务，TI 对此概不负责。

TI 提供的产品受 [TI 的销售条款](#) 或 [ti.com](#) 上其他适用条款/TI 产品随附的其他适用条款的约束。TI 提供这些资源并不会扩展或以其他方式更改 TI 针对 TI 产品发布的适用的担保或担保免责声明。

TI 反对并拒绝您可能提出的任何其他或不同的条款。

邮寄地址：Texas Instruments, Post Office Box 655303, Dallas, Texas 75265

Copyright © 2022，德州仪器 (TI) 公司

## X-ON Electronics

Largest Supplier of Electrical and Electronic Components

*Click to view similar products for [LIN Transceivers](#) category:*

*Click to view products by [Texas Instruments](#) manufacturer:*

Other Similar products are found below :

[16-213SDRC-S530-A6-TR8](#) [ATA663211-GBQW](#) [MC33911BACR2](#) [ATA663254-GBQW](#) [TJA1021AT/0Z](#) [SIT1027QT](#) [SIT1021QT/1](#)  
[SIT1027QTK](#) [TLE7258SJ](#) [SIT1029QT](#) [SIT1028QT/3V3](#) [SIT1028QTK/5V0](#) [MCP2021AT-500E/MD](#) [ATA663231-GBQW](#) [SIT1021NQT](#)  
[SIT1029QTK](#) [CA-IF1021S-Q1](#) [SIT1022QT](#) [SIT1028QT/5V0](#) [SIT1021QTK/1](#) [CA-IF10285S-Q1](#) [SIT1022QTK](#) [ATA663254-GAQW](#)  
[SIT1024QHG](#) [SIT1021NQTK](#) [BIN1021S-C](#) [CA-IF10283S-Q1](#) [MC33662JEFR2](#) [MC33662LEFR2](#) [MCP2021-500E/P](#) [MCP2021A-500EMD](#)  
[TLE7257SJXUMA1](#) [TLE7259-3GE](#) [TJA1028TK/5V0/20,1](#) [TLE8457ALEXUMA1](#) [TJA1028T5V010,11](#) [NCV7321D12R2G](#) [MCP2021P-](#)  
[330E/MD](#) [MCP2021P-330E/SN](#) [MCP2004T-E/SN](#) [NCV7321MW2R2G](#) [MCP2022P-330E/SL](#) [SIT1028QTK/3V3](#) [SIT1021QTK](#) [TLE7257SJ](#)  
[MC33911G5AC](#) [MC33912G5AC](#) [TJA1028T5V0201J](#) [MD-012HRL](#) [MD-002HRL](#)