

## TLV3604、TLV3605 具有 LVDS 输出的 800ps 高速 RRI 比较器

### 1 特性

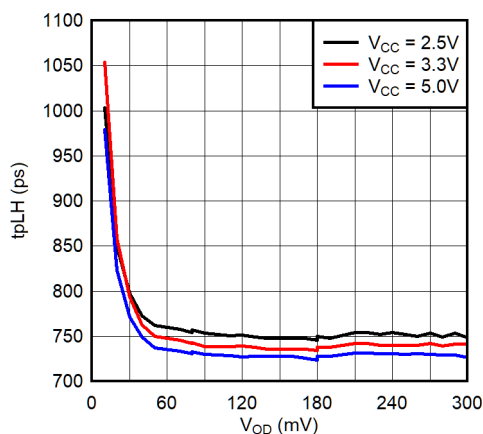
- 低传播延迟：800ps
- 低过驱动分散：350ps
- 静态电流：12.1 mA
- 高切换频率：1.5GHz/3.0Gbps
- 窄脉宽检测功能：600 ps
- LVDS 输出
- 电源电压范围：2.4 V 至 5.5 V
- 输入共模范围超出两个电源轨 200 mV
- 低输入失调电压：±5mV
- 封装：6 引脚 SC70，12 引脚 QFN (3mm × 3mm)

### 2 应用

- 激光雷达中的距离感测
- 飞行时间传感器
- 示波器和逻辑分析仪中的高速触发器功能
- 高速差分线路接收器
- 无人机视觉

### 3 说明

TLV3604 和 TLV3605 是具有 LVDS 输出和轨至轨输入的 800ps 高速比较器。TLV3604 和 TLV3605 具有上述特性以及 2.4V 至 5.5V 的工作电压范围和 3Gbps 的高切换频率，因此非常适合激光雷达、时钟和数据恢复应用以及测试和测量系统。



TpLH v. 过驱动分散

同样，TLV3604 和 TLV3605 具有 350ps 的强大输入过驱动性能，并且能够检测仅 600ps 的窄脉冲宽度。由于输入过驱动而导致的传播延迟变化较小，与检测窄脉冲的能力相结合，不仅提高了系统性能，而且扩展了飞行时间 (ToF) 应用中的距离范围。

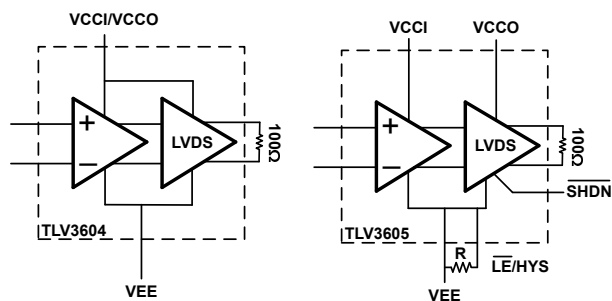
TLV3604 和 TLV3605 的低压差分信号 (LVDS) 输出还有助于提高数据吞吐量并优化功耗。互补输出通过抑制每个输出上的共模噪声来降低 EMI。LVDS 输出旨在驱动和直接连接可接受标准 LVDS 输入 (例如高速 FPGA 和 CPU) 的下游器件。

TLV3604 采用微型 6 引脚 SC-70 封装，因此更适用于空间敏感型应用，例如光学传感器模块。TLV3605 保持与 TLV3604 相同的性能，并在 12 引脚 QFN 封装中提供可调节的迟滞控制、关断和锁存特性，因而成为测试和测量应用的理想选择。

#### 器件信息

| 器件型号    | 封装 <sup>(1)</sup> | 封装尺寸 (标称值)      |
|---------|-------------------|-----------------|
| TLV3604 | SC70 (6)          | 1.25mm × 2.00mm |
| TLV3605 | QFN (12)          | 3.00mm × 3.00mm |

1.如需了解所有可订购封装，请参阅数据表末尾的可订购产品附录。



功能方框图



## Table of Contents

|   |    |  |    |
|---|----|--|----|
| <b>1 特性</b> .....   | 1  | 7.4 Device Functional Modes.....                                 | 12 |
| <b>2 应用</b> .....   | 1  | <b>8 Application and Implementation</b> .....                    | 13 |
| <b>3 说明</b> .....   | 1  | 8.1 Application Information.....                                 | 13 |
| <b>4 Revision History</b> .....   | 2  | 8.2 Typical Application.....                                     | 15 |
| <b>5 Pin Configuration and Functions</b> .....  | 3  | <b>9 Power Supply Recommendations</b> .....                      | 18 |
| Pin Functions.....  | 3  | <b>10 Layout</b> .....   | 19 |
| <b>6 Specifications</b> .....   | 4  | 10.1 Layout Guidelines.....                                      | 19 |
| 6.1 Absolute Maximum Ratings .....  | 4  | 10.2 Layout Example.....   | 19 |
| 6.2 ESD Ratings .....   | 4  | <b>11 Device and Documentation Support</b> .....                 | 21 |
| 6.3 Recommended Operating Conditions .....  | 4  | 11.1 Device Support.....   | 21 |
| 6.4 Thermal Information .....   | 5  | 11.2 接收文档更新通知.....   | 21 |
| 6.5 Electrical Characteristics ( $V_{CCI} = V_{CCO} = 2.5\text{ V to }5\text{ V}$ ) ..... | 6  | 11.3 支持资源.....   | 21 |
| 6.6 Typical Characteristics.....  | 8  | 11.4 Trademarks.....   | 21 |
| <b>7 Detailed Description</b> .....   | 12 | 11.5 Electrostatic Discharge Caution.....                        | 21 |
| 7.1 Overview.....   | 12 | 11.6 术语表.....  | 21 |
| 7.2 Functional Block Diagram.....   | 12 | <b>12 Mechanical, Packaging, and Orderable Information</b> ..... | 21 |
| 7.3 Feature Description.....  | 12 |  |    |

## 4 Revision History

注：以前版本的页码可能与当前版本的页码不同

| <b>Changes from Revision C (April 2021) to Revision D (June 2021)</b> | <b>Page</b> |
|---|-------------|
| • Update Hysteresis Curve.....  | 14          |

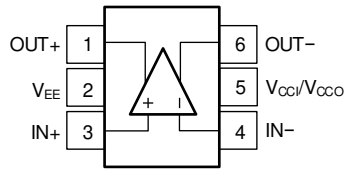
---

| <b>Changes from Revision B (December 2020) to Revision C (April 2021)</b> | <b>Page</b> |
|---|-------------|
| • Updated Typical Performance Curves.....                                 | 8           |
| • Updated Latch Functionality.....  | 13          |

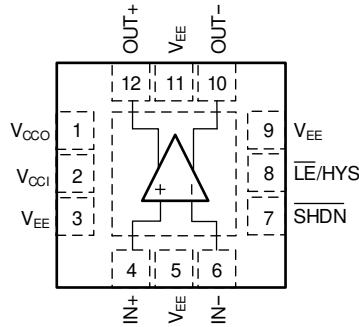
---

| <b>Changes from Revision A (August 2020) to Revision B (December 2020)</b> | <b>Page</b> |
|--|-------------|
| • APL 到 RTM 发布.....  | 1           |

## 5 Pin Configuration and Functions



**图 5-1. DCK Package  
6-Pin SC70  
Top View**



**图 5-2. RVK Package  
12-Pin QFN  
Top View**

## Pin Functions

| NAME             | PIN     |             | I/O | DESCRIPTION                             |
|------------------|---------|-------------|-----|---|
|                  | TLV3604 | TLV3605     |     |   |
| IN+              | 3       | 4           | I   | Non-inverting input                     |
| IN -             | 4       | 6           | I   | Inverting input                         |
| OUT+             | 1       | 12          | O   | Non-inverting output                    |
| OUT -            | 6       | 10          | O   | Inverting output                        |
| V <sub>EE</sub>  | 2       | 3, 5, 9, 11 | I   | Negative power supply                   |
| V <sub>CCI</sub> | 5       | 2           | I   | Positive input section power supply     |
| V <sub>CCO</sub> | 5       | 1           | I   | Positive output section power supply    |
| SHDN             | -       | 7           | I   | Shutdown control, active low            |
| LE/HYS           | -       | 8           | I   | Adjustable hysteresis control and latch |

## 6 Specifications

### 6.1 Absolute Maximum Ratings

over operating free-air temperature range (unless otherwise noted)<sup>(1)</sup>

|  | MIN                | MAX                | UNIT |
|--|--------------------|--------------------|------|
| Input Supply Voltage: $V_{CC1} - V_{EE}$   | - 0.3              | 6                  | V    |
| Output Supply Voltage: $V_{CCO} - V_{EE}$  | - 0.3              | 6                  | V    |
| Supply Voltage Difference: $V_{CC1} - V_{CCO}$   | - 6                | 6                  | V    |
| Input Voltage (IN+, IN -) <sup>(2)</sup>   | $V_{EE} - 0.3$     | $V_{CC1} + 0.3$    | V    |
| Differential Input Voltage ( $V_{DI} = IN+, IN -$ )  | $-(V_{CC1} + 0.3)$ | $+(V_{CC1} + 0.3)$ | V    |
| Output Voltage (OUT+, OUT -) <sup>(3)</sup>  | $V_{EE} - 0.3$     | $V_{CCO} + 0.3$    | V    |
| Shutdown Enable (SHDN)   | $V_{EE} - 0.3$     | $V_{CCO} + 0.3$    | V    |
| Latch and Hysteresis Control ( $\overline{LE}/HYS$ )   | $V_{EE} - 0.3$     | $V_{CCO} + 0.3$    | V    |
| Current into Input pins (IN+, IN -, $\overline{SHDN}$ , $\overline{LE}/HYS$ ) <sup>(2)</sup> | - 10               | +10                | mA   |
| Current into Output pins (OUT+, OUT -) <sup>(3)</sup>  | - 10               | +10                | mA   |
| Junction temperature, $T_J$  |                    | 150                | °C   |
| Storage temperature, $T_{stg}$   | - 65               | 150                | °C   |

- (1) Operation outside the Absolute Maximum Ratings may cause permanent device damage. Absolute Maximum Ratings do not imply functional operation of the device at these or any other conditions beyond those listed under Recommended Operating Conditions. If used outside the Recommended Operating Conditions but within the Absolute Maximum Ratings, the device may not be fully functional, and this may affect device reliability, functionality, performance, and shorten the device lifetime.
- (2) Input terminals are diode-clamped to the power-supply rails. Input signals that can swing more than 0.3 V beyond the supply rails or 6 V, whichever is lower, must be current-limited to 10 mA or less.
- (3) Output terminals are diode-clamped to the power-supply rails. Output signals that can swing more than 0.3 V beyond the supply rails must be current-limited to 10 mA or less.

### 6.2 ESD Ratings

|             |                         | VALUE  | UNIT  |
|-------------|-------------------------|--|-------|
| $V_{(ESD)}$ | Electrostatic discharge | TLV3604 Human-body model (HBM), per ANSI/ESDA/JEDEC JS-001 <sup>(1)</sup>      | ±1500 |
|             |                         | TLV3605 Human-body model (HBM), per ANSI/ESDA/JEDEC JS-001 <sup>(1)</sup>      | ±2000 |
|             |                         | Charged-device model (CDM), per JEDEC specification JESD22-C101 <sup>(2)</sup> | ±1000 |

- (1) JEDEC document JEP155 states that 500-V HBM allows safe manufacturing with a standard ESD control process.
- (2) JEDEC document JEP157 states that 250-V CDM allows safe manufacturing with a standard ESD control process.

### 6.3 Recommended Operating Conditions

over operating free-air temperature range (unless otherwise noted)

|  | MIN            | MAX             | UNIT |
|--|----------------|-----------------|------|
| Input Supply Voltage: $V_{CC1} - V_{EE}$             | 2.4            | 5.5             | V    |
| Output Supply Voltage: $V_{CCO} - V_{EE}$            | 2.4            | 5.5             | V    |
| Input Voltage Range (IN+, IN -)                      | $V_{EE} - 0.3$ | $V_{CC1} + 0.3$ | V    |
| Shutdown Enable (SHDN)                               | $V_{EE} - 0.3$ | $V_{CCO} + 0.3$ | V    |
| Latch and Hysteresis Control ( $\overline{LE}/HYS$ ) | $V_{EE} - 0.3$ | $V_{CCO} + 0.3$ | V    |
| Ambient temperature, $T_A$                           | - 40           | 125             | °C   |

## 6.4 Thermal Information

| THERMAL METRIC          |  | TLV3604    | TLV3605    | UNIT |
|-------------------------|--|------------|------------|------|
|                         |  | DCK (SC70) | RVK (WQFN) |      |
|                         |  | 6 PINS     | 12 PINS    |      |
| $R_{\theta JA}$         | Junction-to-ambient thermal resistance       | 170.3      | 85.8       | °C/W |
| $R_{\theta JC(top)}$    | Junction-to-case (top) thermal resistance    | 134.5      | 71.6       | °C/W |
| $R_{\theta JC(bottom)}$ | Junction-to-case (bottom) thermal resistance | N/A        | 15.1       | °C/W |
| $R_{\theta JB}$         | Junction-to-board thermal resistance         | 63.3       | 52.7       | °C/W |
| $\psi_{JT}$             | Junction-to-top characterization parameter   | 43.7       | 4.1        | °C/W |
| $\psi_{JB}$             | Junction-to-board characterization parameter | 63.1       | 52.7       | °C/W |

## 6.5 Electrical Characteristics ( $V_{CCI} = V_{CCO} = 2.5\text{ V to }5\text{ V}$ )

$V_{CCI} = V_{CCO} = 2.5\text{ to }5\text{ V}$ ,  $V_{EE} = 0\text{ V}$ ,  $V_{CM} = V_{EE} + 300\text{ mV}$ ,  $R_{LOAD} = 100\ \Omega$ ,  $C_L = 1\text{ pF}$  probe capacitance, typical at  $T_A = 25^\circ\text{C}$  (unless otherwise noted).

| PARAMETER  |   | TEST CONDITIONS  | MIN            | TYP       | MAX             | UNIT          |
|--|---|--|----------------|-----------|-----------------|---------------|
| <b>DC Input Characteristics</b>                      |   |  |                |           |                 |               |
| $V_{IO}$ (1)   | Input offset voltage                    | $V_{CCI} = V_{CCO} = 2.5\text{ V and }5\text{ V}$<br>$T_A = -40^\circ\text{C to }+125^\circ\text{C}$   | -5             | $\pm 0.5$ | 5               | mV            |
| $V_{CM}$   | Input common mode voltage range         | $V_{CCI} = V_{CCO} = 2.5\text{ V and }5\text{ V}$<br>$T_A = -40^\circ\text{C to }+125^\circ\text{C}$   | $V_{EE} - 0.2$ |           | $V_{CCI} + 0.2$ | V             |
| $V_{HYST}$   | Input hysteresis voltage                |  |                | 0         |                 | mV            |
| $C_{IN}$   | Input capacitance                       |  |                | 1         |                 | pF            |
| $R_{DM}$   | Input differential mode resistance      |  |                | 67        |                 | k $\Omega$    |
| $R_{CM}$   | Input common mode resistance            |  |                | 5         |                 | M $\Omega$    |
| $I_B$  | Input bias current                      | $V_{CCI} = V_{CCO} = 2.5\text{ V and }5\text{ V}$<br>$T_A = -40^\circ\text{C to }+125^\circ\text{C}$   | -5             | -1        | 5               | $\mu\text{A}$ |
| $I_{OS}$   | Input offset current                    | $V_{CCI} = V_{CCO} = 2.5\text{ V and }5\text{ V}$<br>$T_A = -40^\circ\text{C to }+125^\circ\text{C}$   | -1             |           | 1               | $\mu\text{A}$ |
| CMRR (1)   | Common-mode rejection ratio             | $V_{CCI} = V_{CCO} = 2.5\text{ V and }5\text{ V}$<br>$V_{CM} = V_{EE} - 0.2\text{ V to }V_{CCI} + 0.2\text{ V}$ ,<br>$T_A = -40^\circ\text{C to }+125^\circ\text{C}$ | 50             | 80        |                 | dB            |
| PSRR (1)   | Power-supply rejection ratio            | $V_{CCI} = V_{CCO} = 2.5\text{ V to }5\text{ V}$ ,<br>$T_A = -40^\circ\text{C to }+125^\circ\text{C}$  | 55             | 80        |                 | dB            |
| <b>DC Output Characteristics</b>                     |   |  |                |           |                 |               |
| $V_{OCM}$  | Output common mode voltage              | $V_{CCI} = V_{CCO} = 2.5\text{ V and }5\text{ V}$<br>$T_A = -40^\circ\text{C to }+125^\circ\text{C}$   | 1.125          | 1.2       | 1.375           | V             |
| $\Delta V_{OCM}$                                     | Output common mode voltage mismatch     | $V_{CCI} = V_{CCO} = 2.5\text{ V and }5\text{ V}$<br>$T_A = -40^\circ\text{C to }+125^\circ\text{C}$   |                |           | 50              | mV            |
| $V_{OCM\_PP}$  | Peak-to-Peak output common mode voltage |  |                | 20        |                 | mVpp          |
| $V_{OD}$   | Differential output voltage             | $V_{CCI} = V_{CCO} = 2.5\text{ V and }5\text{ V}$<br>$T_A = -40^\circ\text{C to }+125^\circ\text{C}$   | 250            | 350       | 450             | mV            |
| $\Delta V_{OD}$                                      | Differential output voltage mismatch    | $V_{CCI} = V_{CCO} = 2.5\text{ V and }5\text{ V}$<br>$T_A = -40^\circ\text{C to }+125^\circ\text{C}$   |                |           | 10              | mV            |
| <b>Power Supply</b>                                  |   |  |                |           |                 |               |
| $I_{CC}$ (TLV3604)                                   | Total quiescent current                 | $V_{CCI} = V_{CCO} = 2.5\text{ V and }5\text{ V}$<br>$T_A = -40^\circ\text{C to }+125^\circ\text{C}$   |                | 12.1      | 16.5            | mA            |
| $I_{CCI}$ (TLV3605)                                  | Input stage quiescent current           | $V_{CCI} = V_{CCO} = 2.5\text{ V and }5\text{ V}$<br>$T_A = -40^\circ\text{C to }+125^\circ\text{C}$   |                | 7.5       | 10.5            | mA            |
| $I_{CCO}$ (TLV3605)                                  | Output stage quiescent current          | $V_{CCI} = V_{CCO} = 2.5\text{ V and }5\text{ V}$<br>$T_A = -40^\circ\text{C to }+125^\circ\text{C}$   |                | 5.2       | 7.0             | mA            |
| <b>AC Characteristics</b>                            |   |  |                |           |                 |               |
| $t_{PD}$   | Propagation delay                       | $V_{OVERDRIVE} = V_{UNDERDRIVE} = 50\text{mV}$ , 50 MHz Squarewave   |                | 800       |                 | ps            |
| $t_{PD\_SKEW}$                                       | Propagation delay skew                  | $V_{OVERDRIVE} = V_{UNDERDRIVE} = 50\text{mV}$ , 50 MHz Squarewave   |                | 40        |                 | ps            |
| $t_{CM\_DISPERSION}$                                 | Common dispersion                       | $V_{CM}$ varied from $V_{EE}$ to $V_{CCI}$   |                | 200       |                 | ps            |
| $t_{OD\_DISPERSION}$                                 | Overdrive dispersion                    | Overdrive varied from 10 mV to 250 mV  |                | 350       |                 | ps            |
| $t_{UD\_DISPERSION}$                                 | Underdrive dispersion                   | Underdrive varied from 10mV to 250 mV  |                | 200       |                 | ps            |
| $t_R$  | Rise time                               | 20% to 80%   |                | 350       |                 | ps            |
| $t_F$  | Fall time                               | 80% to 20%   |                | 350       |                 | ps            |
| $f_{TOGGLE}$   | Input toggle frequency                  | $V_{IN} = 200\text{ mV}_{PP}$ Sine Wave, 50% Output swing  |                | 1.5       |                 | GHz           |
| TR   | Toggle Rate                             | $V_{IN} = 200\text{ mV}_{PP}$ Sine Wave, 50% Output swing  |                | 3.0       |                 | Gbps          |
| PulseWidth   | Minimum allowed input pulse width       | $V_{OVERDRIVE} = V_{UNDERDRIVE} = 50\text{mV}$<br>$PW_{OUT} = 90\%$ of $PW_{IN}$   |                | 600       |                 | ps            |
| <b>Latching/Adjustable Hysteresis (TLV3605 only)</b> |   |  |                |           |                 |               |
| $V_{HYST}$   | Input hysteresis voltage                | $R_{HYST} = \text{Floating}$   |                | 0         |                 | mV            |

## 6.5 Electrical Characteristics ( $V_{CCI} = V_{CCO} = 2.5\text{ V to }5\text{ V}$ ) (continued)

$V_{CCI} = V_{CCO} = 2.5\text{ to }5\text{ V}$ ,  $V_{EE} = 0\text{ V}$ ,  $V_{CM} = V_{EE} + 300\text{ mV}$ ,  $R_{LOAD} = 100\ \Omega$ ,  $C_L = 1\text{ pF}$  probe capacitance, typical at  $T_A = 25^\circ\text{C}$  (unless otherwise noted).

| PARAMETER                                      |   | TEST CONDITIONS  | MIN | TYP | MAX  | UNIT          |
|--|---|--|-----|-----|------|---------------|
| $V_{HYST}$                                     | Input hysteresis voltage                        | $R_{HYST} = 150\text{ k}\Omega$  |     | 30  |      | mV            |
| $V_{HYST}$                                     | Input hysteresis voltage                        | $R_{HYST} = 56\text{ k}\Omega$   |     | 60  |      | mV            |
| $V_{IH\_LE}$                                   | $\overline{LE}$ pin input high level            | $V_{CCI} = V_{CCO} = 2.5\text{ V and }5\text{ V}$<br>$T_A = -40^\circ\text{C to }+125^\circ\text{C}$                         | 1.5 |     |      | V             |
| $V_{IL\_LE}$                                   | $\overline{LE}$ pin input low level             | $V_{CCI} = V_{CCO} = 2.5\text{ V and }5\text{ V}$<br>$T_A = -40^\circ\text{C to }+125^\circ\text{C}$                         |     |     | 0.35 | V             |
| $I_{IH\_LE}$                                   | $\overline{LE}$ pin input leakage current       | $V_{LE} = V_{CCO}$<br>$T_A = -40^\circ\text{C to }+125^\circ\text{C}$  |     |     | 3.5  | $\mu\text{A}$ |
| $I_{IL\_LE}$                                   | $\overline{LE}$ pin input leakage current       | $V_{LE} = V_{EE}$ ,<br>$T_A = -40^\circ\text{C to }+125^\circ\text{C}$   |     |     | 40   | $\mu\text{A}$ |
| $t_{SETUP}$                                    | Latch setup time                                |  |     | -3  |      | ns            |
| $t_{HOLD}$                                     | Latch hold time                                 |  |     | 6   |      | ns            |
| $t_{PL}$                                       | Latch to Q and $\overline{Q}$ delay             |  |     | 4   |      | ns            |
| <b>Shutdown Characteristics (TLV3605 only)</b> |   |  |     |     |      |               |
| $V_{IH\_SD}$                                   | SHDN pin input high level                       | $V_{CCI} = V_{CCO} = 2.5\text{ V and }5\text{ V}$<br>$T_A = -40^\circ\text{C to }+125^\circ\text{C}$                         | 1.5 |     |      | V             |
| $V_{IL\_SD}$                                   | SHDN pin input low level                        | $V_{CCI} = V_{CCO} = 2.5\text{ V and }5\text{ V}$<br>$T_A = -40^\circ\text{C to }+125^\circ\text{C}$                         |     |     | 0.4  | V             |
| $I_{IH\_SD}$                                   | SHDN pin input leakage current                  | $V_{CCI} = V_{CCO} = 2.5\text{ V and }5\text{ V}$<br>$V_{SD} = V_{CCO}$ ,<br>$T_A = -40^\circ\text{C to }+125^\circ\text{C}$ |     |     | 2    | $\mu\text{A}$ |
| $I_{IL\_SD}$                                   | SHDN pin input leakage current                  | $V_{CCI} = V_{CCO} = 2.5\text{ V and }5\text{ V}$<br>$V_{SD} = V_{EE}$ ,<br>$T_A = -40^\circ\text{C to }+125^\circ\text{C}$  |     |     | 30   | $\mu\text{A}$ |
| $I_{CCI\_SD}$                                  | Input stage quiescent current in Shutdown mode  | $V_{CCI} = V_{CCO} = 2.5\text{ V and }5\text{ V}$<br>$T_A = -40^\circ\text{C to }+125^\circ\text{C}$                         |     |     | 1.5  | mA            |
| $I_{CCO\_SD}$                                  | Output stage quiescent current in Shutdown mode | $V_{CCI} = V_{CCO} = 2.5\text{ V and }5\text{ V}$<br>$T_A = -40^\circ\text{C to }+125^\circ\text{C}$                         |     |     | 100  | $\mu\text{A}$ |
| $t_{SLEEP}$                                    | Sleep time from Active to Shutdown mode         | 10% output swing   |     | 8   |      | ns            |
| $t_{WAKEUP}$                                   | Wake up time from Shutdown mode                 | $V_{OD} = 50\text{ mV}$ , output valid   |     | 100 |      | ns            |

(1) For TLV3605, the  $V_{IO}$  is tested with  $R_{HYST} = 150\text{ k}\Omega$

## 6.6 Typical Characteristics

At  $T_A = 25^\circ\text{C}$ ,  $V_{CC1}/V_{CC0} = 2.5\text{ V to }5.0\text{ V}$ ,  $V_{CM} = 0.3\text{ V}$ , and input overdrive/underdrive = 50 mV unless otherwise noted.

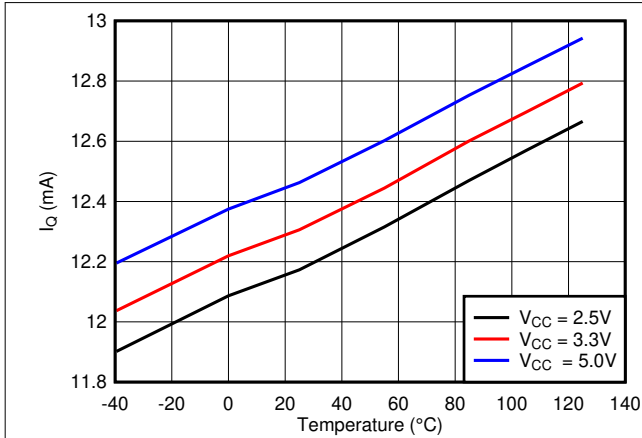


图 6-1.  $I_Q$  vs Temperature

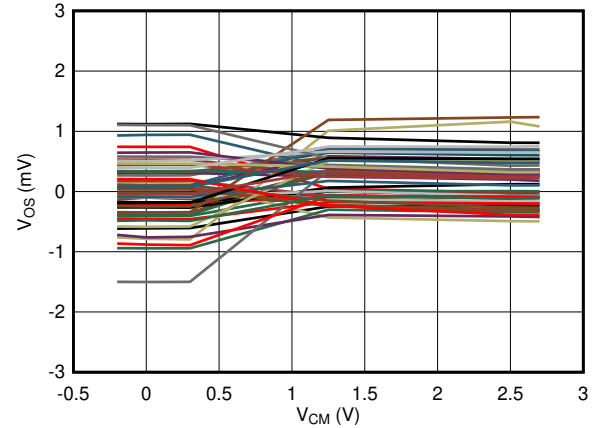


图 6-2.  $V_{OS}$  vs  $V_{CM}$  @  $V_{CC} = 2.5\text{ V} - 50$  Devices

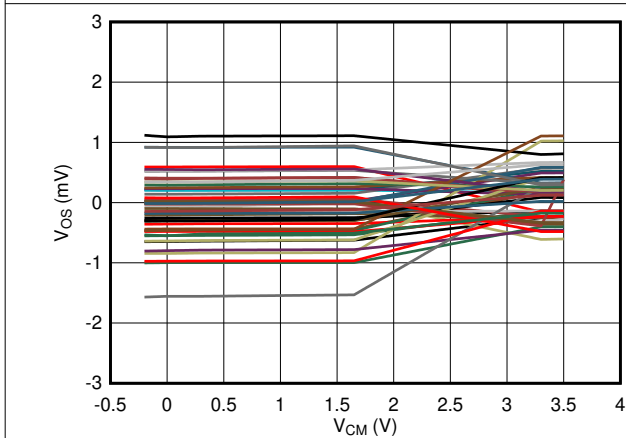


图 6-3.  $V_{OS}$  vs  $V_{CM}$  @  $V_{CC} = 3.3\text{ V} - 50$  Devices

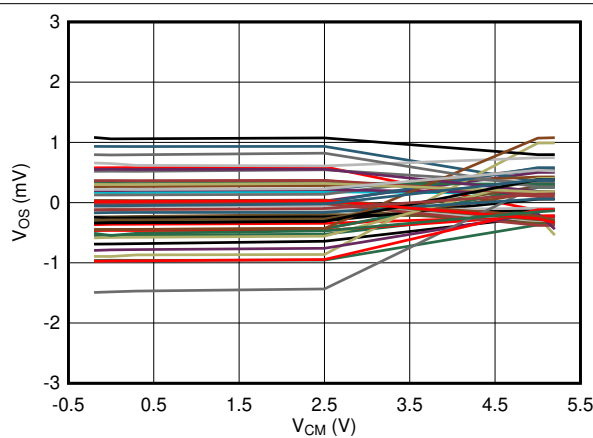


图 6-4.  $V_{OS}$  vs  $V_{CM}$  @  $V_{CC} = 5.0\text{ V} - 50$  Devices

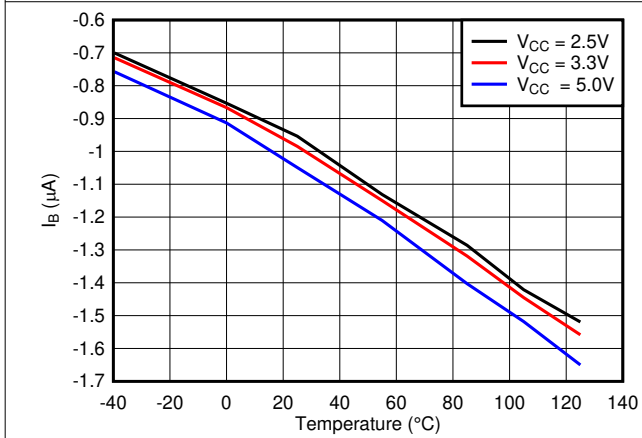


图 6-5. Bias Current vs Temperature

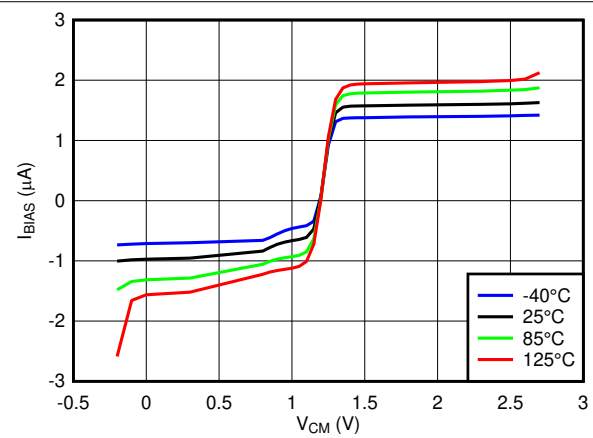


图 6-6. Input Bias Current vs  $V_{CM}$  @  $V_{CC} = 2.5\text{ V}$



### 6.6 Typical Characteristics (continued)

At  $T_A = 25^\circ\text{C}$ ,  $V_{CC1}/V_{CC0} = 2.5\text{ V to }5.0\text{ V}$ ,  $V_{CM} = 0.3\text{ V}$ , and input overdrive/underdrive = 50 mV unless otherwise noted.

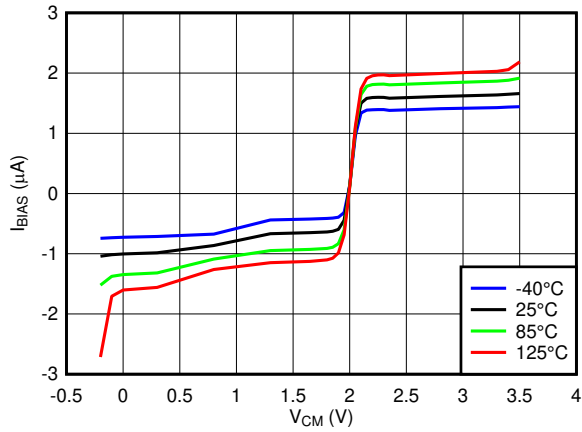


图 6-7. Input Bias Current vs  $V_{CM}$  @  $V_{CC} = 3.3\text{V}$

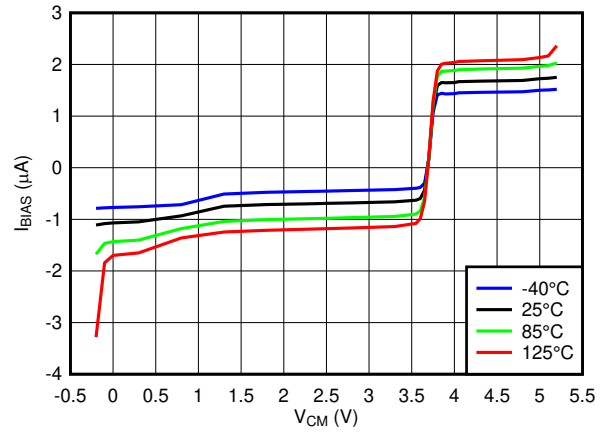


图 6-8. Input Bias Current vs  $V_{CM}$  @  $V_{CC} = 5.0\text{V}$

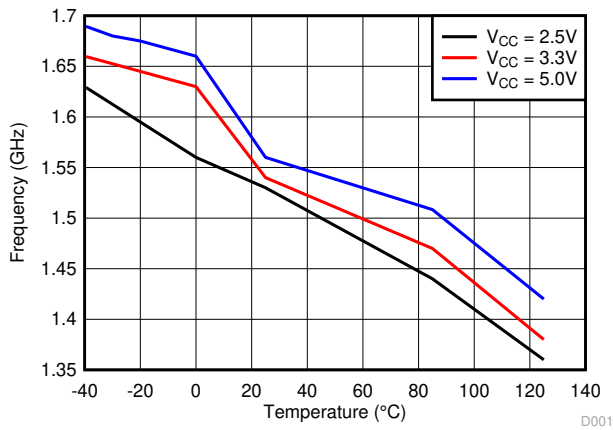


图 6-9. FToggle vs Temperature

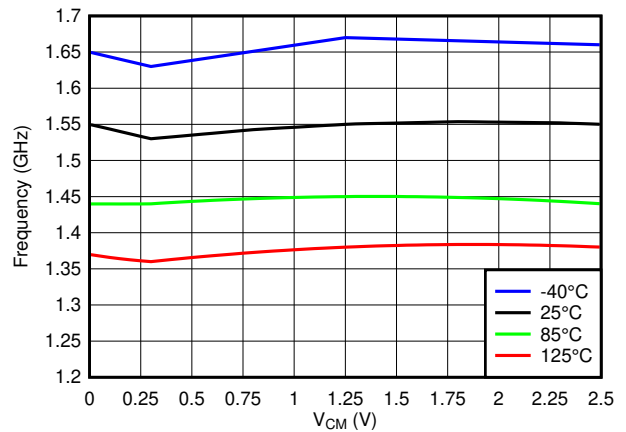


图 6-10. FToggle vs  $V_{CM}$  @  $V_{CC} = 2.5\text{V}$

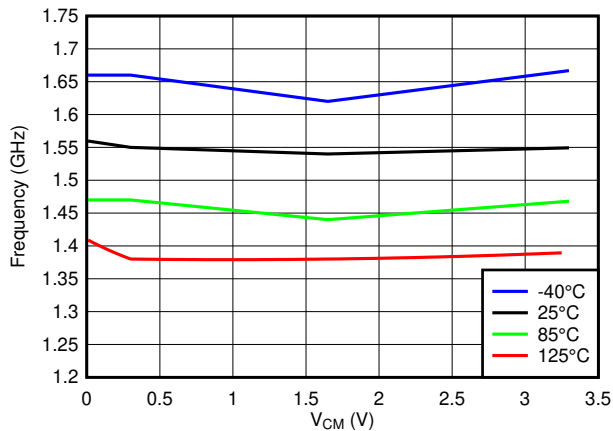


图 6-11. FToggle vs  $V_{CM}$  @  $V_{CC} = 3.3\text{V}$

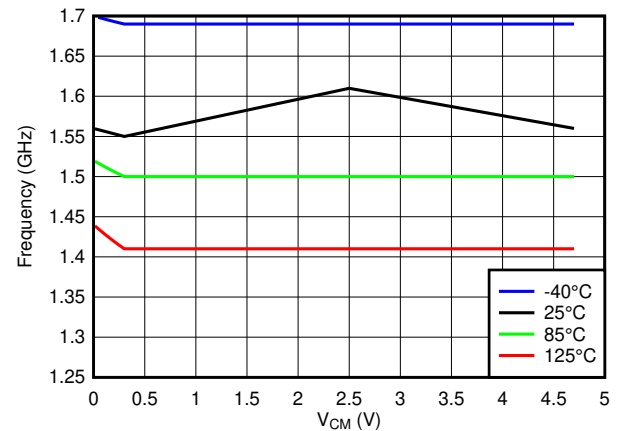


图 6-12. FToggle vs  $V_{CM}$  @  $V_{CC} = 5.0\text{V}$

### 6.6 Typical Characteristics (continued)

At  $T_A = 25^\circ\text{C}$ ,  $V_{CC1}/V_{CC0} = 2.5\text{ V to }5.0\text{ V}$ ,  $V_{CM} = 0.3\text{ V}$ , and input overdrive/underdrive = 50 mV unless otherwise noted.

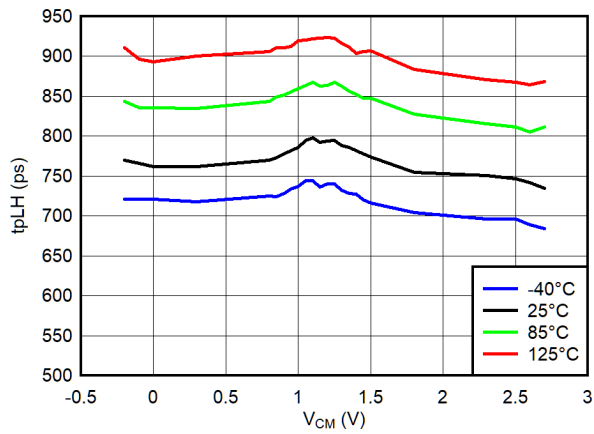


图 6-13.  $T_{PLH}$  vs  $V_{CM}$  @  $V_{CC} = 2.5\text{V}$

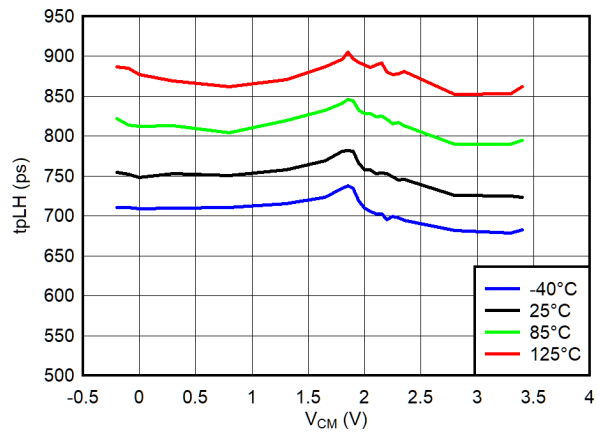


图 6-14.  $T_{PLH}$  vs  $V_{CM}$  @  $V_{CC} = 3.3\text{V}$

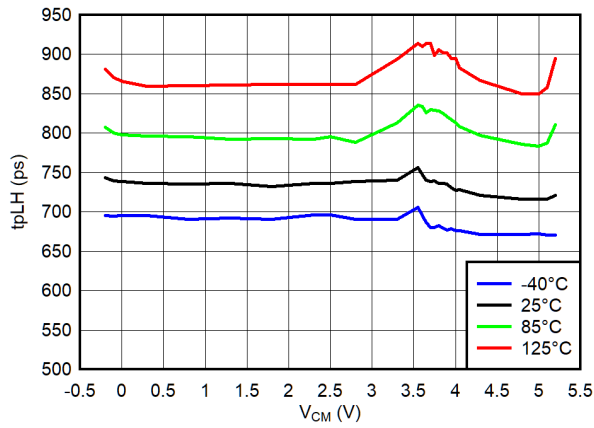


图 6-15.  $T_{PLH}$  vs  $V_{CM}$  @  $V_{CC} = 5.0\text{V}$

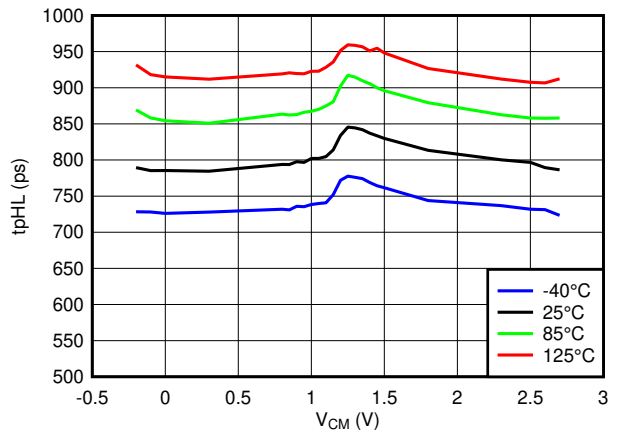


图 6-16.  $T_{PHL}$  vs  $V_{CM}$  @  $V_{CC} = 2.5\text{V}$

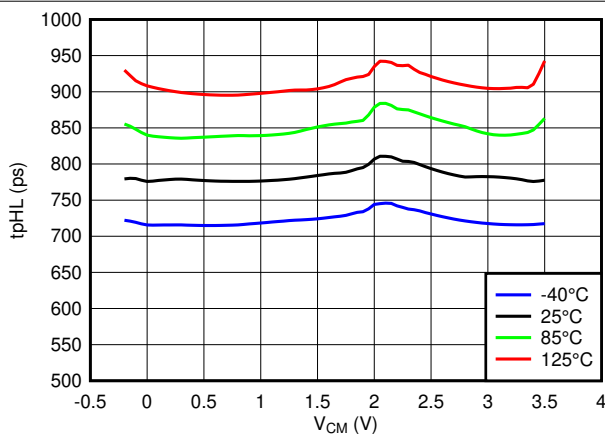


图 6-17.  $T_{PHL}$  vs  $V_{CM}$  @  $V_{CC} = 3.3\text{V}$

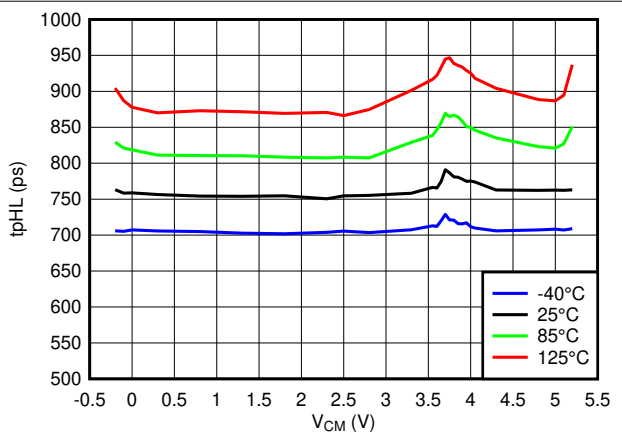


图 6-18.  $T_{PHL}$  vs  $V_{CM}$  @  $V_{CC} = 5.0\text{V}$

## 6.6 Typical Characteristics (continued)

At  $T_A = 25^\circ\text{C}$ ,  $V_{CCI}/V_{CCO} = 2.5\text{ V to }5.0\text{ V}$ ,  $V_{CM} = 0.3\text{ V}$ , and input overdrive/underdrive = 50 mV unless otherwise noted.

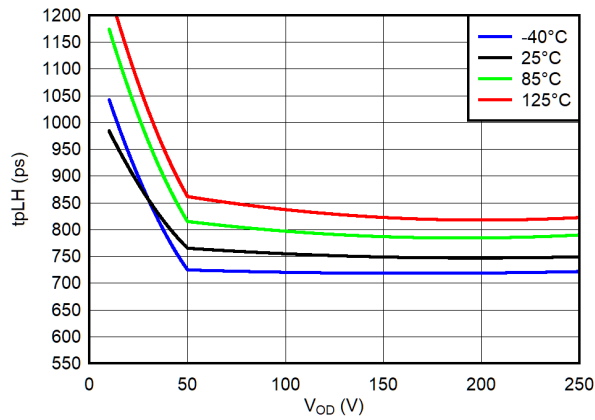


图 6-19.  $T_{PLH}$  vs Input Overdrive @  $V_{CC} = 2.5\text{ V}$

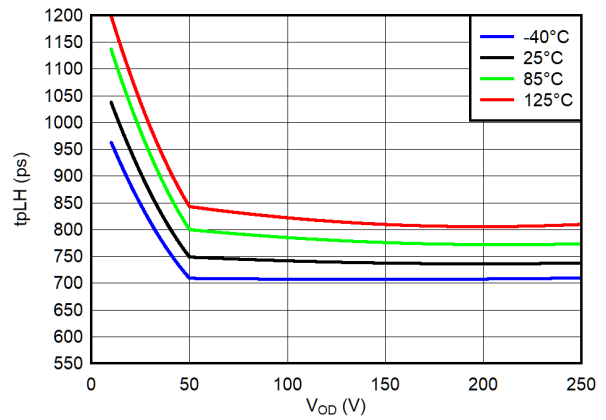


图 6-20.  $T_{PLH}$  vs Input Overdrive @  $V_{CC} = 3.3\text{ V}$

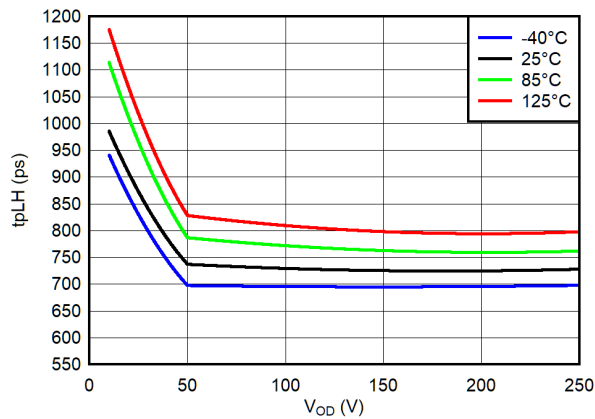


图 6-21.  $T_{PLH}$  vs Input Overdrive @  $V_{CC} = 5.0\text{ V}$

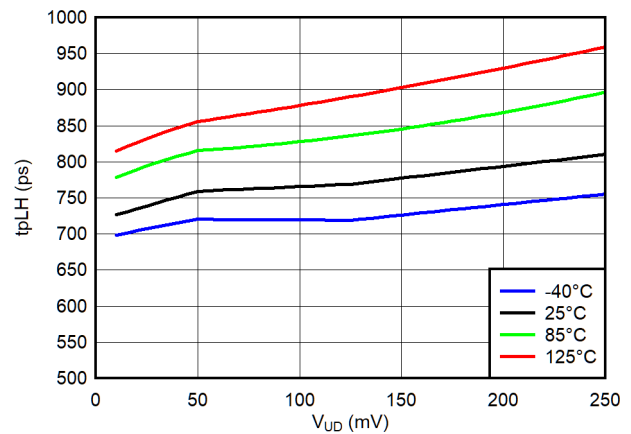


图 6-22.  $T_{PLH}$  vs Input Underdrive @  $V_{CC} = 2.5\text{ V}$

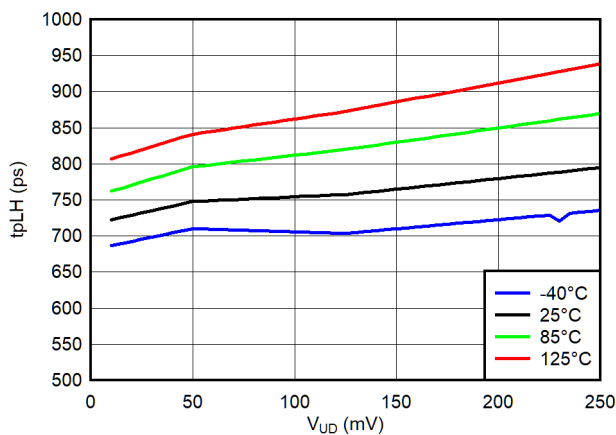


图 6-23.  $T_{PLH}$  vs Input Underdrive @  $V_{CC} = 3.3\text{ V}$

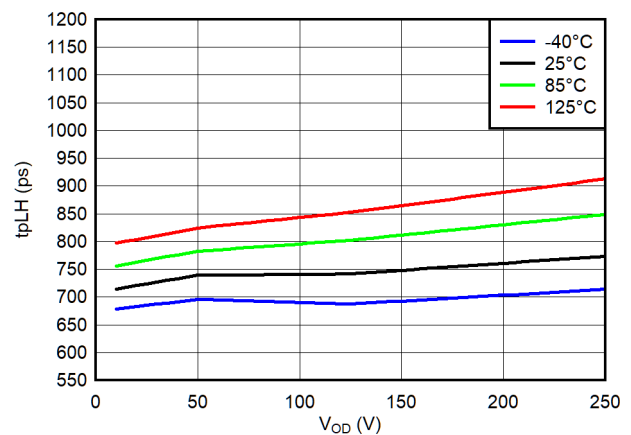


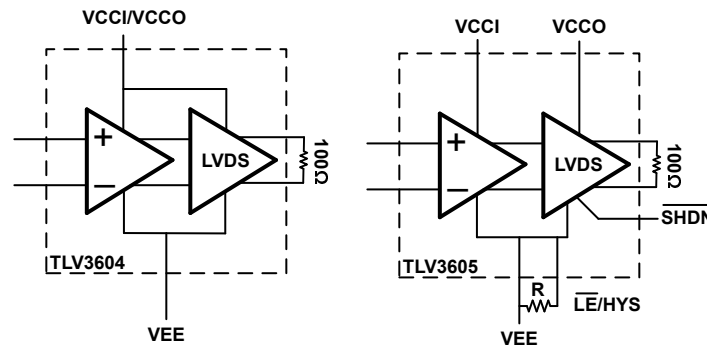
图 6-24.  $T_{PLH}$  vs Input Underdrive @  $V_{CC} = 5.0\text{ V}$

## 7 Detailed Description

### 7.1 Overview

The TLV3604 and TLV3605 are 800-ps, high-speed comparators with LVDS outputs and rail-to-rail inputs. These features, along with an operating voltage range of 2.4 V to 5.5 V and a high toggle frequency of 3 Gbps, make the TLV3604 and TLV3605 well suited for LIDAR, clock and data recovery applications, and test and measurement systems.

### 7.2 Functional Block Diagram



### 7.3 Feature Description

The TLV3604 and TLV3605 are single channel, high-speed comparators with rail-to-rail inputs and LVDS outputs. The rail-to-rail input stage is capable of operating up to 200 mV beyond each power supply rail with minimal input offset. The TLV3605 has similar performance while providing adjustable hysteresis, latching function, and shutdown mode.

### 7.4 Device Functional Modes

The TLV3604 has a single functional mode and is operational when the power supply voltage is greater than the minimum operating voltage. On the other hand, the TLV3605 has an active and shutdown mode. The TLV3605 is in shutdown mode when the  $\overline{\text{SHDN}}$  pin is logic low. To allow for easy interface with 1.8V FPGAs and CPUs, The  $\overline{\text{SHDN}}$  pin is 1.8 V logic compliant and independent of the comparator power supply.

#### 7.4.1 Rail-to-Rail Inputs

The TLV3604 and TLV3605 feature input stages capable of operating 200mV below or above the power supply rails, allowing for zero cross detection and maximizing input dynamic range. With low input offset voltage, the comparators improve system performance in high sensitivity signal detection.

#### 7.4.2 LVDS Output

The TLV3604 and TLV3605 output are LVDS compliant. When the input of the downstream device is terminated with a 100 Ω resistor, it provides a  $\pm 350$  mV LVDS swing. Fully differential outputs enable fast digital toggling and reduce EMI compared to single-ended output standards.

## 8 Application and Implementation

### 备注

以下应用部分中的信息不属于 TI 器件规格的范围，TI 不担保其准确性和完整性。TI 的客户应负责确定器件是否适用于其应用。客户应验证并测试其设计，以确保系统功能。

### 8.1 Application Information

The TLV360x comparators feature rail-to-rail inputs and a LVDS output stage that is well-suited for high speed applications that require low power consumption. The 800 ps propagation delay of the comparators improve performance and extend the range for applications involving optical reception, triggers for test and measurement systems, and transceivers that require a high speed signal to be carried over a certain distance.

#### 8.1.1 Comparator Inputs

The TLV360x is a rail-to-rail input comparator, with an input common-mode range that exceeds the supply rails by 200 mV for both positive and negative supplies.

#### 8.1.2 Capacitive Loads

Under reasonable capacitive loads, the device maintains specified propagation delay. However, excessive capacitive loading under high switching frequencies may increase supply current, propagation delay, or induce decreased slew rate.

#### 8.1.3 Latch Functionality

The latch pin for the TLV3605 holds the output state of the device when the voltage at the LE/HYST pin is less than 800mV above  $V_{EE}$ . This is particularly useful when the output state is intended to remain unchanged. An important consideration of the latch functionality is the latch hold time. Latch hold time is the minimum time (after the latch pin is asserted) required for properly latching the comparator output.

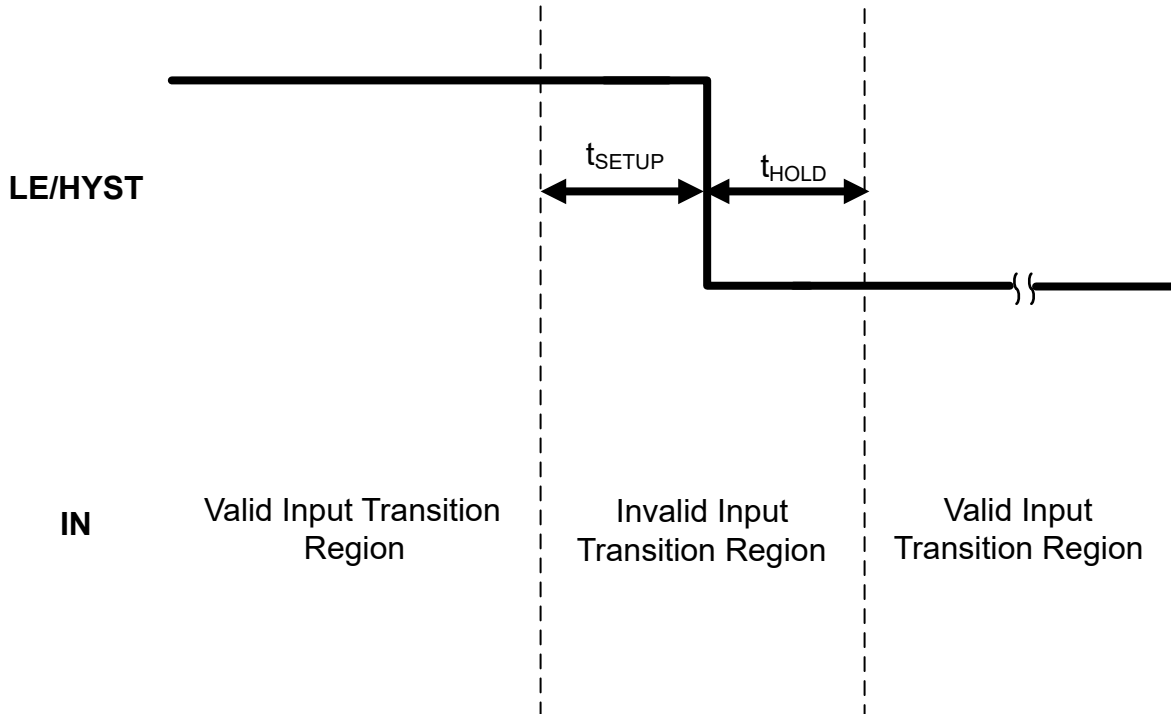


图 8-1. Valid Latch Diagram

Likewise, latch setup time is defined as the time that the input must be stable before the latch pin is asserted low. The figure above illustrates when the input can transition for a valid latch. Note that the typical setup time in the

EC table is negative; this is due to the internal trace delays of the LE/HYST pin relative to the input pin trace delays.

A small delay in the output response is shown below when the TLV3605 exits a latched output stage.

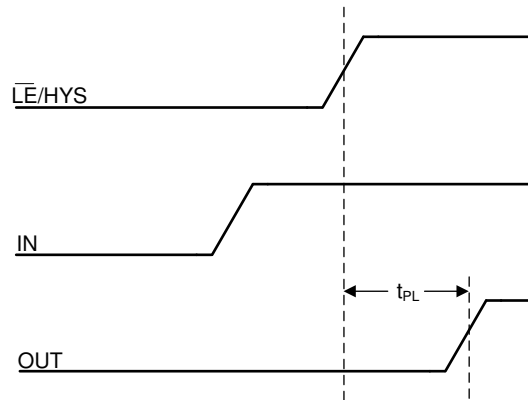


图 8-2. Latch Disable with Input Change

### 8.1.4 Adjustable Hysteresis

As a result of a comparator's high open loop gain, there is a small band of input differential voltage where the output can toggle back and forth between "logic high" and "logic low" states. This can cause design challenges for inputs with slow rise and fall times or systems with excessive noise.

These challenges can be overcome by adding hysteresis to the comparator. Since the TLV3604 does not have internal hysteresis, external hysteresis can be applied in the form of a positive feedback loop that adjusts the trip point of the comparator depending on its current output state. See the Typical Application section for more details.

The TLV3605 on the other hand has a LE/HYST pin that can be used to increase the internal hysteresis of the comparator. In order to change the internal hysteresis of the TLV3605, connect a single resistor as shown in the [adjusting hysteresis figure](#) between the LE/HYST pin and VEE. A curve of hysteresis versus resistance is provided below to provide guidance in setting the desired amount of hysteresis.

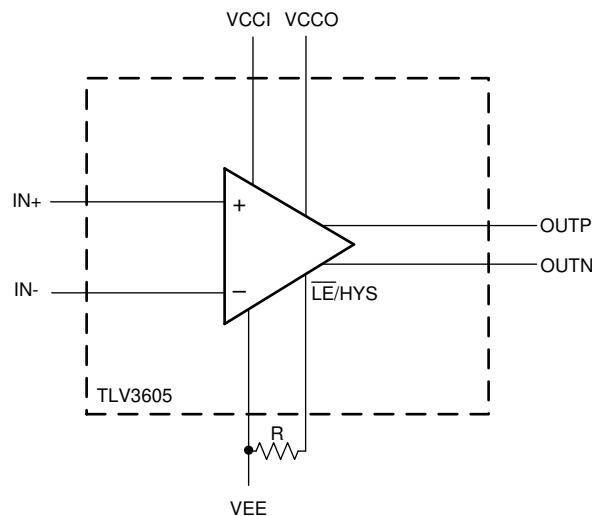


图 8-3. Adjusting Hysteresis with an External Resistor (R)

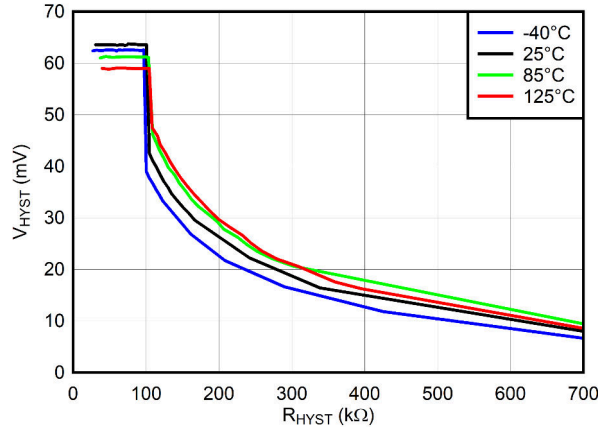


图 8-4.  $V_{HYST}$  (mV) vs  $R_{HYST}$  (k $\Omega$ ),  $V_{CC} = 3.3V$

## 8.2 Typical Application

### 8.2.1 Non-Inverting Comparator With Hysteresis

A way to implement external hysteresis to the TLV3604 is to add two resistors to the circuit: one in series between the reference voltage and the inverting pin, and another from the inverting pin to one of the differential output pins.

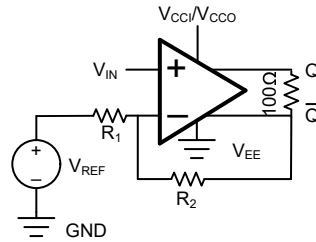


图 8-5. Non-Inverting Comparator with Hysteresis Circuit

#### 8.2.1.1 Design Requirements

表 8-1. Design Parameters

| PARAMETER | VALUE  |
|-----------|--------|
| $V_{HYS}$ | 20mV   |
| $V_{REF}$ | 5V     |
| $V_{T1}$  | 3.6V   |
| $V_{T2}$  | 3.4V   |
| Q         | 1.375V |
| $\bar{Q}$ | 1.025V |

#### 8.2.1.2 Detailed Design Procedure

First, create an equation for  $V_T$  that covers both output voltages when the output is high or low.

$$V_{T1} = \frac{V_{REF}R_2 + QR_1}{R_1 + R_2} \quad (1)$$

$$V_{T2} = \frac{V_{REF}R_2 + \bar{Q}R_1}{R_1 + R_2} \quad (2)$$

The hysteresis voltage in this network is equal to the difference in the two threshold voltage equations.

$$V_{\text{HYS}} = V_{\text{T1}} - V_{\text{T2}} \quad (3)$$

$$V_{\text{HYS}} = \frac{V_{\text{REF}}R_2 + QR_1}{R_1 + R_2} - \frac{V_{\text{REF}}R_2 - \bar{Q}R_1}{R_1 + R_2} \quad (4)$$

$$V_{\text{HYS}} = \frac{(Q - \bar{Q})R_1}{R_1 + R_2} \quad (5)$$

$$V_{\text{HYS}} = \frac{V_{\text{OD}}R_1}{R_1 + R_2} \quad (6)$$

Select a value for R2. Plug in given values for  $V_{\text{REF}}$ ,  $V_{\text{T1}}$ ,  $V_{\text{T2}}$ , Q, and  $\bar{Q}$ , and solve for R1. For the given example, R2 = 100 k $\Omega$ , and R1 is solved as = 67.37 k $\Omega$ .

### 8.2.1.3 Application Performance Plots

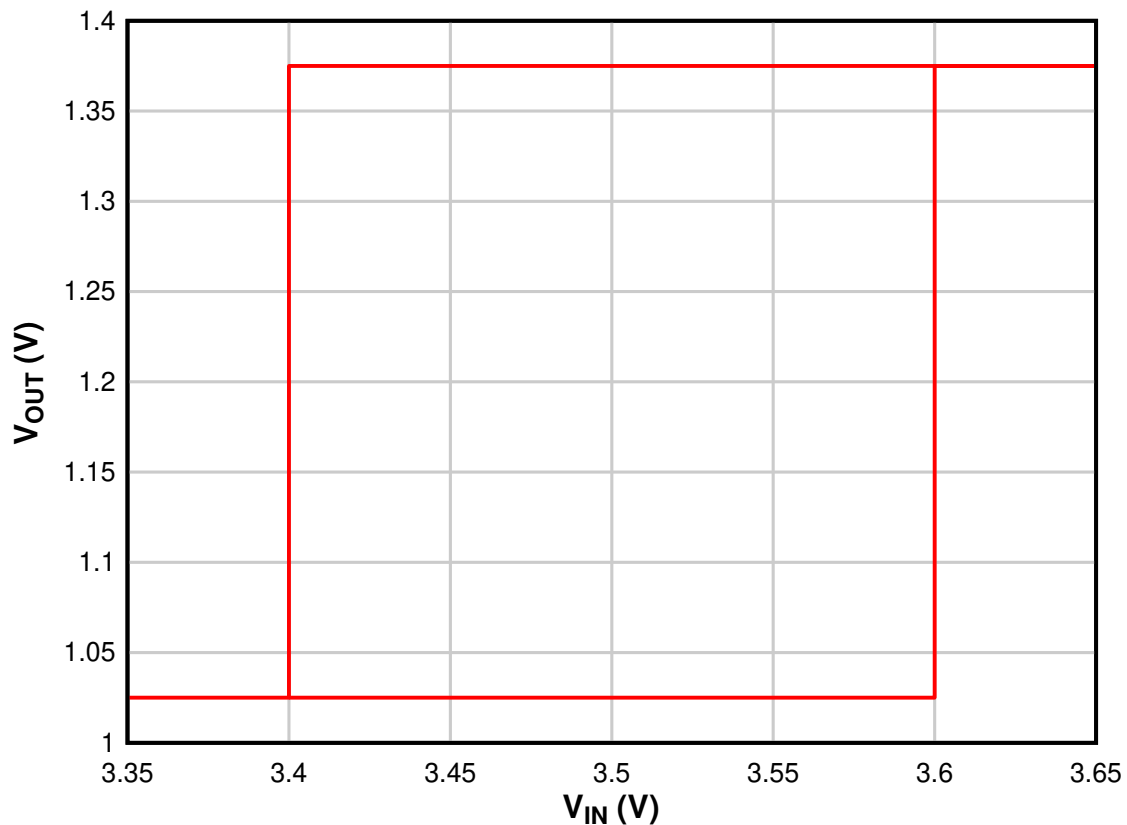


图 8-6. Hysteresis Curve for LVDS Comparator

### 8.2.2 Optical Receiver

The TLV360x can be used in conjunction with a high performance amplifier such as the OPA855 to create an optical receiver as shown in the 图 8-7. The photo diode is connected to a bias voltage and is being driven with a pulsed laser. The OPA855 takes the current conducting through the diode and translates it into a voltage for a high speed comparator to detect. The TLV360x will then output the proper LVDS signal according to the threshold set ( $V_{\text{REF2}}$ ).



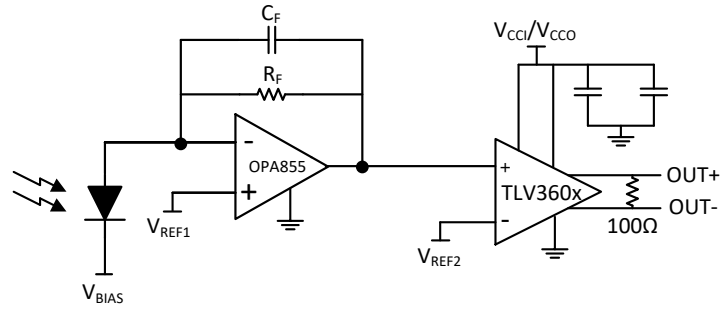


图 8-7. Optical Receiver

### 8.2.3 Logic Clock Source to LVDS Transceiver

The [图 8-8](#) shows a logic clock source being terminated and driven with the TLV360x across a CAT6 Cable to receive an equivalent LVDS clock signal at the receiver end.

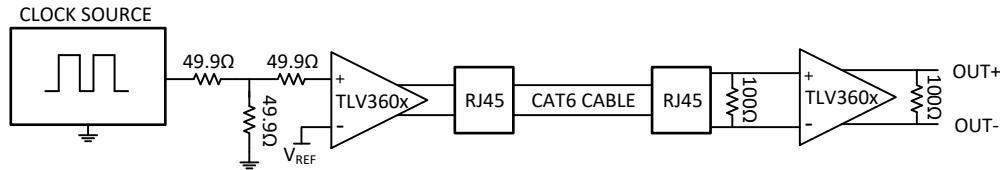


图 8-8. LVDS Clock Transceiver

### 8.2.4 External Trigger Function for Oscilloscopes

[图 8-9](#) is a typical configuration for creating an external trigger on oscilloscopes. The user adjusts the trigger level, and a DAC converts this trigger level to a voltage the TLV360x can use as a reference. The input voltage from an oscilloscope channel is then compared to the trigger reference voltage, and the TLV360x sends an LVDS signal to a downstream FPGA to begin a capture.

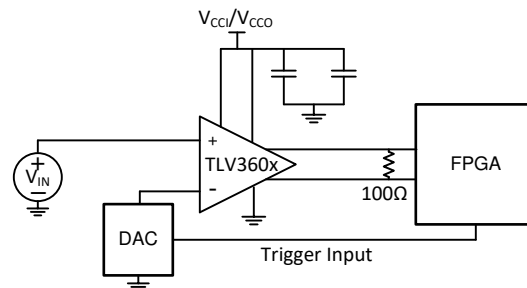


图 8-9. External Trigger Function

## 9 Power Supply Recommendations

The TLV3604 and TLV3605 are recommended for operation from 2.4 V to 5.5 V. One benefit of the TLV3605 is that the comparator has separate input and output supply pins (VCCI and VCCO). This provides a system designer the flexibility of powering the input stage with a higher supply voltage such as 5V to maximize the dynamic range of the input while powering the output stage with a 2.5V supply to save power. Regardless of the VCCO supply voltage, the control pins such as LE and SHDN are 1.8V logic compliant.

## 10 Layout

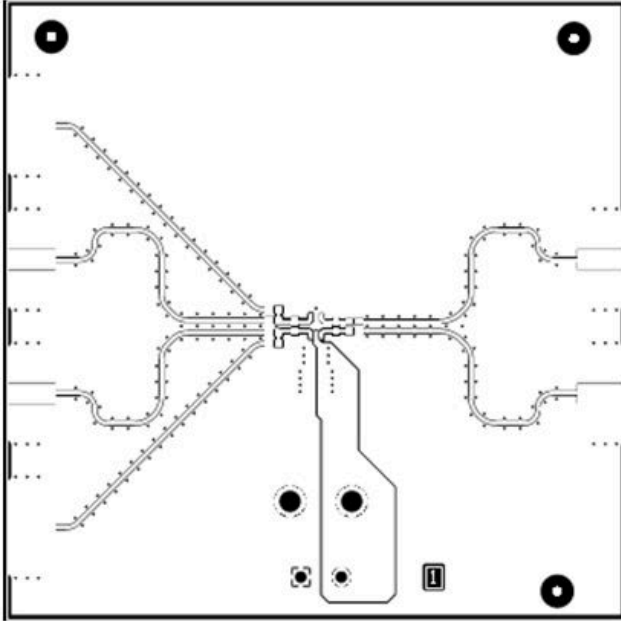
### 10.1 Layout Guidelines

Comparators are very sensitive to input noise. For best results, adhere to the following layout guidelines.

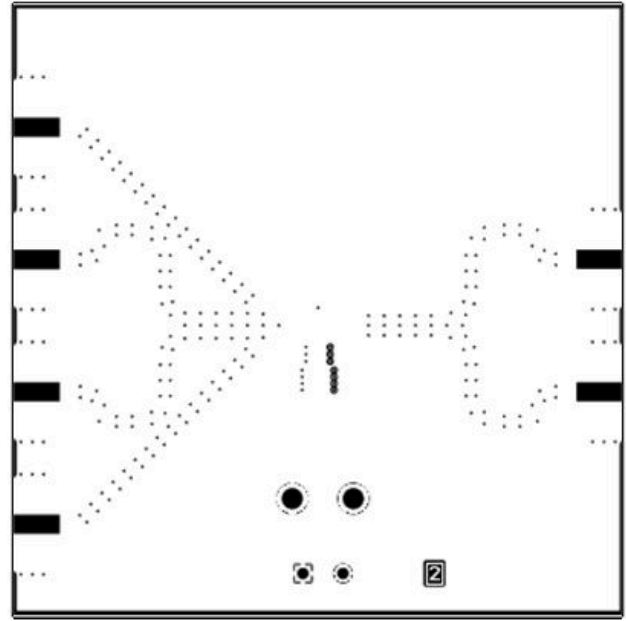
1. Use a printed-circuit-board (PCB) with a good, unbroken, low-inductance ground plane. Proper grounding (use of a ground plane) helps maintain specified device performance and input/output trace impedances.
2. To minimize supply noise, place a decoupling capacitor (0.1-  $\mu$ F ceramic, surface-mount capacitor) directly between VCCI/VCCO and VEE.
3. On the inputs and outputs, utilize matched trace lengths to minimize timing skew. Also, minimize trace lengths and maximize ground pour spacings around the input and output traces to limit parasitic capacitance.
4. Solder the device directly to the PCB rather than using a socket.
5. For slow-moving input signals, take care to prevent parasitic feedback. A small capacitor (1000 pF or less) placed between the inputs can help eliminate oscillations in the transition region. This capacitor causes minimal degradation to propagation delay when source impedance is low.
6. Use a 100  $\Omega$  termination resistor across the device's LVDS outputs.
7. Use higher performance substrate materials such as Rogers or High-Speed FR4.
8. PCB signal layers from the TLV3604EVM are shown for reference.

### 10.2 Layout Example

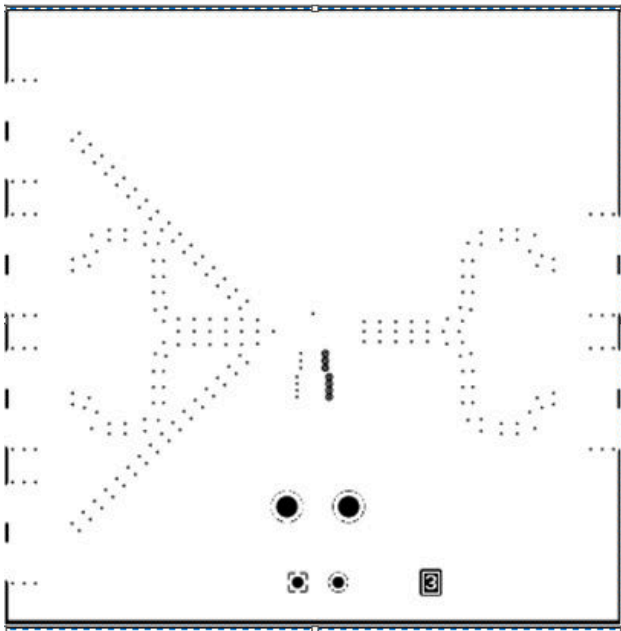
[Figure 10-1](#) shows the 4 layer PCB signal routing for the TLV3604EVM as an example for how layout on this device can be done.



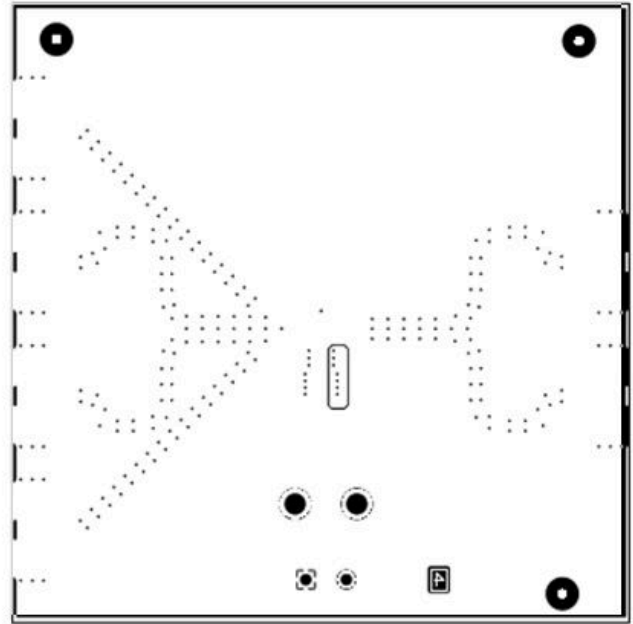
Top Layer



GND-1 Layer



GND-2 Layer



Bottom Layer

图 10-1. TLV3604EVM Layout Example

## 11 Device and Documentation Support

### 11.1 Device Support

#### 11.1.1 Development Support

[LIDAR Pulsed Time of Flight Reference Design](#)

### 11.2 接收文档更新通知

要接收文档更新通知，请导航至 [ti.com](http://ti.com) 上的器件产品文件夹。点击 [订阅更新](#) 进行注册，即可每周接收产品信息更改摘要。有关更改的详细信息，请查看任何已修订文档中包含的修订历史记录。

### 11.3 支持资源

[TI E2E™ 支持论坛](#) 是工程师的重要参考资料，可直接从专家获得快速、经过验证的解答和设计帮助。搜索现有解答或提出自己的问题可获得所需的快速设计帮助。

链接的内容由各个贡献者“按原样”提供。这些内容并不构成 TI 技术规范，并且不一定反映 TI 的观点；请参阅 TI 的《[使用条款](#)》。

### 11.4 Trademarks

TI E2E™ is a trademark of Texas Instruments.

所有商标均为其各自所有者的财产。

### 11.5 Electrostatic Discharge Caution



This integrated circuit can be damaged by ESD. Texas Instruments recommends that all integrated circuits be handled with appropriate precautions. Failure to observe proper handling and installation procedures can cause damage.

ESD damage can range from subtle performance degradation to complete device failure. Precision integrated circuits may be more susceptible to damage because very small parametric changes could cause the device not to meet its published specifications.

### 11.6 术语表

[TI 术语表](#) 本术语表列出并解释了术语、首字母缩略词和定义。

## 12 Mechanical, Packaging, and Orderable Information

The following pages include mechanical, packaging, and orderable information. This information is the most current data available for the designated devices. This data is subject to change without notice and revision of this document. For browser-based versions of this data sheet, refer to the left-hand navigation.

## 重要声明和免责声明

TI 提供技术和可靠性数据 (包括数据表)、设计资源 (包括参考设计)、应用或其他设计建议、网络工具、安全信息和其他资源, 不保证没有瑕疵且不做任何明示或暗示的担保, 包括但不限于对适销性、某特定用途方面的适用性或不侵犯任何第三方知识产权的暗示担保。

这些资源可供使用 TI 产品进行设计的熟练开发人员使用。您将自行承担以下全部责任: (1) 针对您的应用选择合适的 TI 产品, (2) 设计、验证并测试您的应用, (3) 确保您的应用满足相应标准以及任何其他安全、安保或其他要求。这些资源如有变更, 恕不另行通知。TI 授权您仅可将这些资源用于研发本资源所述的 TI 产品的应用。严禁对这些资源进行其他复制或展示。您无权使用任何其他 TI 知识产权或任何第三方知识产权。您应全额赔偿因在这些资源的使用中对 TI 及其代表造成的任何索赔、损害、成本、损失和债务, TI 对此概不负责。

TI 提供的产品受 TI 的销售条款 (<https://www.ti.com/legal/termsofsale.html>) 或 [ti.com](https://www.ti.com) 上其他适用条款/TI 产品随附的其他适用条款的约束。TI 提供这些资源并不会扩展或以其他方式更改 TI 针对 TI 产品发布的适用的担保或担保免责声明。

邮寄地址: Texas Instruments, Post Office Box 655303, Dallas, Texas 75265  
Copyright © 2021, 德州仪器 (TI) 公司

**PACKAGING INFORMATION**

| Orderable Device | Status<br>(1) | Package Type | Package Drawing | Pins | Package Qty | Eco Plan<br>(2) | Lead finish/<br>Ball material<br>(6) | MSL Peak Temp<br>(3) | Op Temp (°C) | Device Marking<br>(4/5) | Samples                 |
|------------------|---------------|--------------|-----------------|------|-------------|-----------------|--------------------------------------|----------------------|--------------|-------------------------|-------------------------|
| TLV3604DCKR      | ACTIVE        | SC70         | DCK             | 6    | 3000        | RoHS & Green    | NIPDAU                               | Level-1-260C-UNLIM   | -40 to 125   | 1HF                     | <a href="#">Samples</a> |
| TLV3604DCKT      | ACTIVE        | SC70         | DCK             | 6    | 250         | RoHS & Green    | NIPDAU                               | Level-1-260C-UNLIM   | -40 to 125   | 1HF                     | <a href="#">Samples</a> |
| TLV3605RVKR      | ACTIVE        | WQFN         | RVK             | 12   | 3000        | RoHS & Green    | NIPDAU                               | Level-1-260C-UNLIM   | -40 to 125   | 3605                    | <a href="#">Samples</a> |
| TLV3605RVKT      | ACTIVE        | WQFN         | RVK             | 12   | 250         | RoHS & Green    | NIPDAU                               | Level-1-260C-UNLIM   | -40 to 125   | 3605                    | <a href="#">Samples</a> |

(1) The marketing status values are defined as follows:

**ACTIVE:** Product device recommended for new designs.

**LIFEBUY:** TI has announced that the device will be discontinued, and a lifetime-buy period is in effect.

**NRND:** Not recommended for new designs. Device is in production to support existing customers, but TI does not recommend using this part in a new design.

**PREVIEW:** Device has been announced but is not in production. Samples may or may not be available.

**OBSELETE:** TI has discontinued the production of the device.

(2) **RoHS:** TI defines "RoHS" to mean semiconductor products that are compliant with the current EU RoHS requirements for all 10 RoHS substances, including the requirement that RoHS substance do not exceed 0.1% by weight in homogeneous materials. Where designed to be soldered at high temperatures, "RoHS" products are suitable for use in specified lead-free processes. TI may reference these types of products as "Pb-Free".

**RoHS Exempt:** TI defines "RoHS Exempt" to mean products that contain lead but are compliant with EU RoHS pursuant to a specific EU RoHS exemption.

**Green:** TI defines "Green" to mean the content of Chlorine (Cl) and Bromine (Br) based flame retardants meet JS709B low halogen requirements of <=1000ppm threshold. Antimony trioxide based flame retardants must also meet the <=1000ppm threshold requirement.

(3) MSL, Peak Temp. - The Moisture Sensitivity Level rating according to the JEDEC industry standard classifications, and peak solder temperature.

(4) There may be additional marking, which relates to the logo, the lot trace code information, or the environmental category on the device.

(5) Multiple Device Markings will be inside parentheses. Only one Device Marking contained in parentheses and separated by a "-" will appear on a device. If a line is indented then it is a continuation of the previous line and the two combined represent the entire Device Marking for that device.

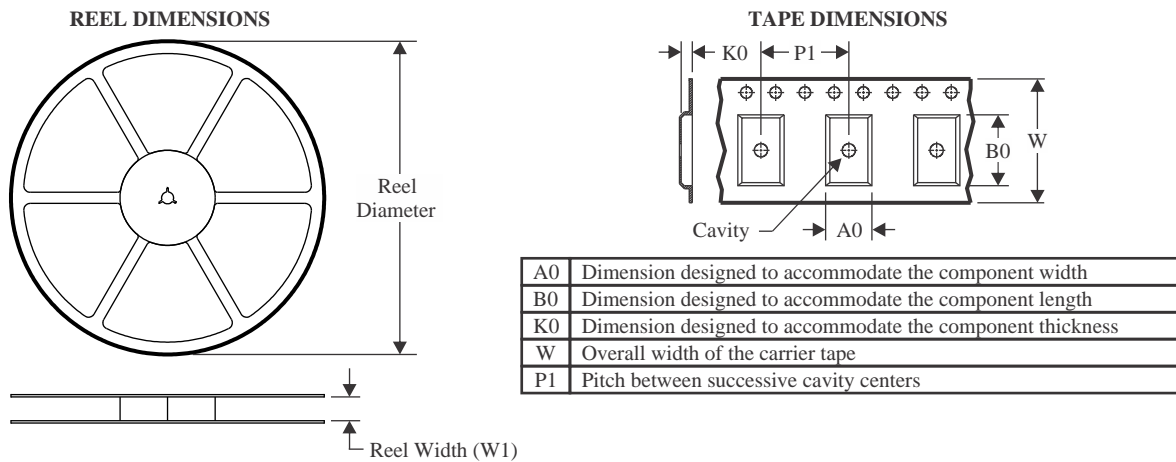
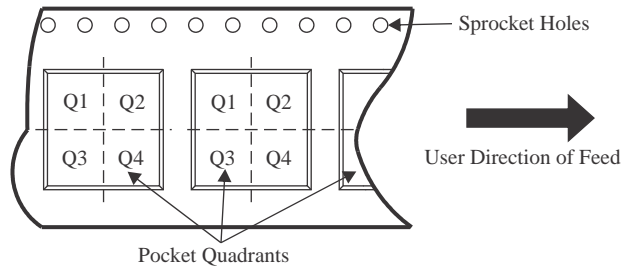
(6) Lead finish/Ball material - Orderable Devices may have multiple material finish options. Finish options are separated by a vertical ruled line. Lead finish/Ball material values may wrap to two lines if the finish value exceeds the maximum column width.

**Important Information and Disclaimer:**The information provided on this page represents TI's knowledge and belief as of the date that it is provided. TI bases its knowledge and belief on information provided by third parties, and makes no representation or warranty as to the accuracy of such information. Efforts are underway to better integrate information from third parties. TI has taken and

continues to take reasonable steps to provide representative and accurate information but may not have conducted destructive testing or chemical analysis on incoming materials and chemicals. TI and TI suppliers consider certain information to be proprietary, and thus CAS numbers and other limited information may not be available for release.

In no event shall TI's liability arising out of such information exceed the total purchase price of the TI part(s) at issue in this document sold by TI to Customer on an annual basis.

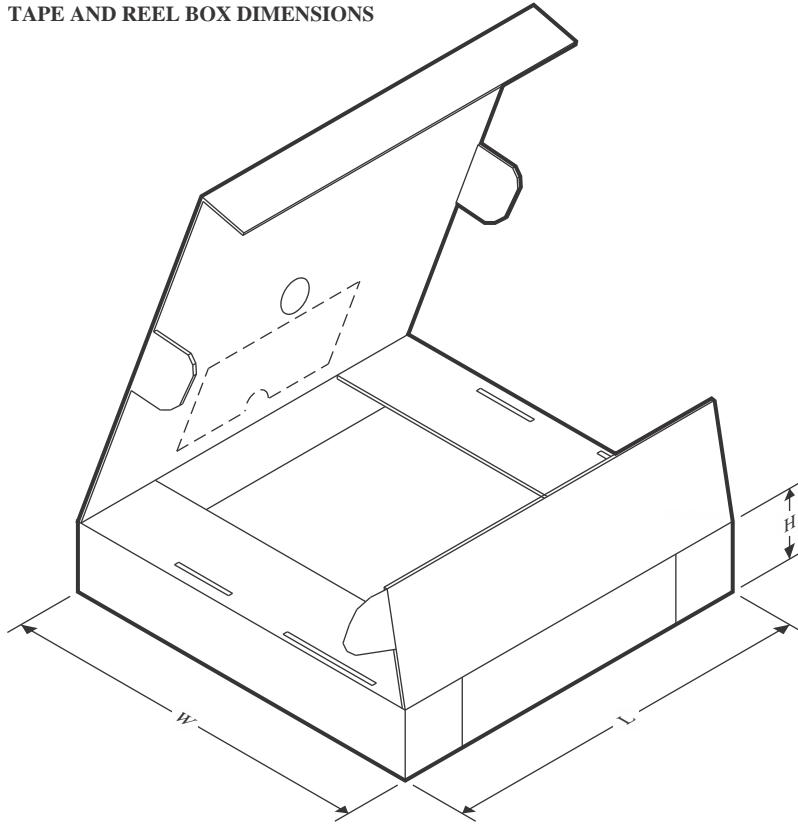


**TAPE AND REEL INFORMATION**

**QUADRANT ASSIGNMENTS FOR PIN 1 ORIENTATION IN TAPE**


\*All dimensions are nominal

| Device      | Package Type | Package Drawing | Pins | SPQ  | Reel Diameter (mm) | Reel Width W1 (mm) | A0 (mm) | B0 (mm) | K0 (mm) | P1 (mm) | W (mm) | Pin1 Quadrant |
|-------------|--------------|-----------------|------|------|--------------------|--------------------|---------|---------|---------|---------|--------|---------------|
| TLV3604DCKR | SC70         | DCK             | 6    | 3000 | 180.0              | 8.4                | 2.47    | 2.3     | 1.25    | 4.0     | 8.0    | Q3            |
| TLV3604DCKT | SC70         | DCK             | 6    | 250  | 180.0              | 8.4                | 2.47    | 2.3     | 1.25    | 4.0     | 8.0    | Q3            |
| TLV3605RVKR | WQFN         | RVK             | 12   | 3000 | 330.0              | 12.4               | 3.3     | 3.3     | 1.1     | 8.0     | 12.0   | Q2            |
| TLV3605RVKT | WQFN         | RVK             | 12   | 250  | 180.0              | 12.4               | 3.3     | 3.3     | 1.1     | 8.0     | 12.0   | Q2            |

## TAPE AND REEL BOX DIMENSIONS

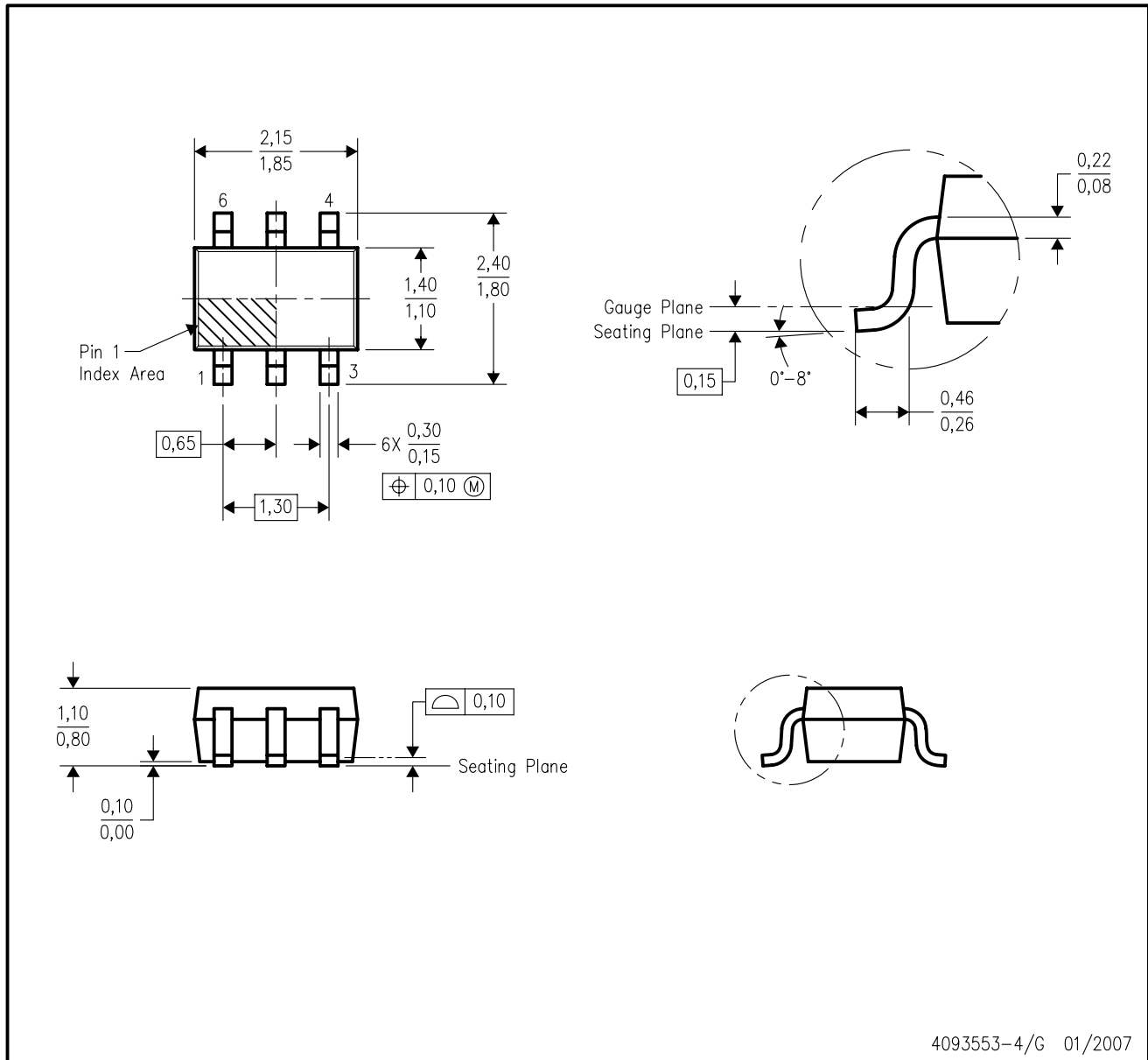


\*All dimensions are nominal

| Device      | Package Type | Package Drawing | Pins | SPQ  | Length (mm) | Width (mm) | Height (mm) |
|-------------|--------------|-----------------|------|------|-------------|------------|-------------|
| TLV3604DCKR | SC70         | DCK             | 6    | 3000 | 183.0       | 183.0      | 20.0        |
| TLV3604DCKT | SC70         | DCK             | 6    | 250  | 183.0       | 183.0      | 20.0        |
| TLV3605RVKR | WQFN         | RVK             | 12   | 3000 | 367.0       | 367.0      | 35.0        |
| TLV3605RVKT | WQFN         | RVK             | 12   | 250  | 210.0       | 185.0      | 35.0        |

DCK (R-PDSO-G6)

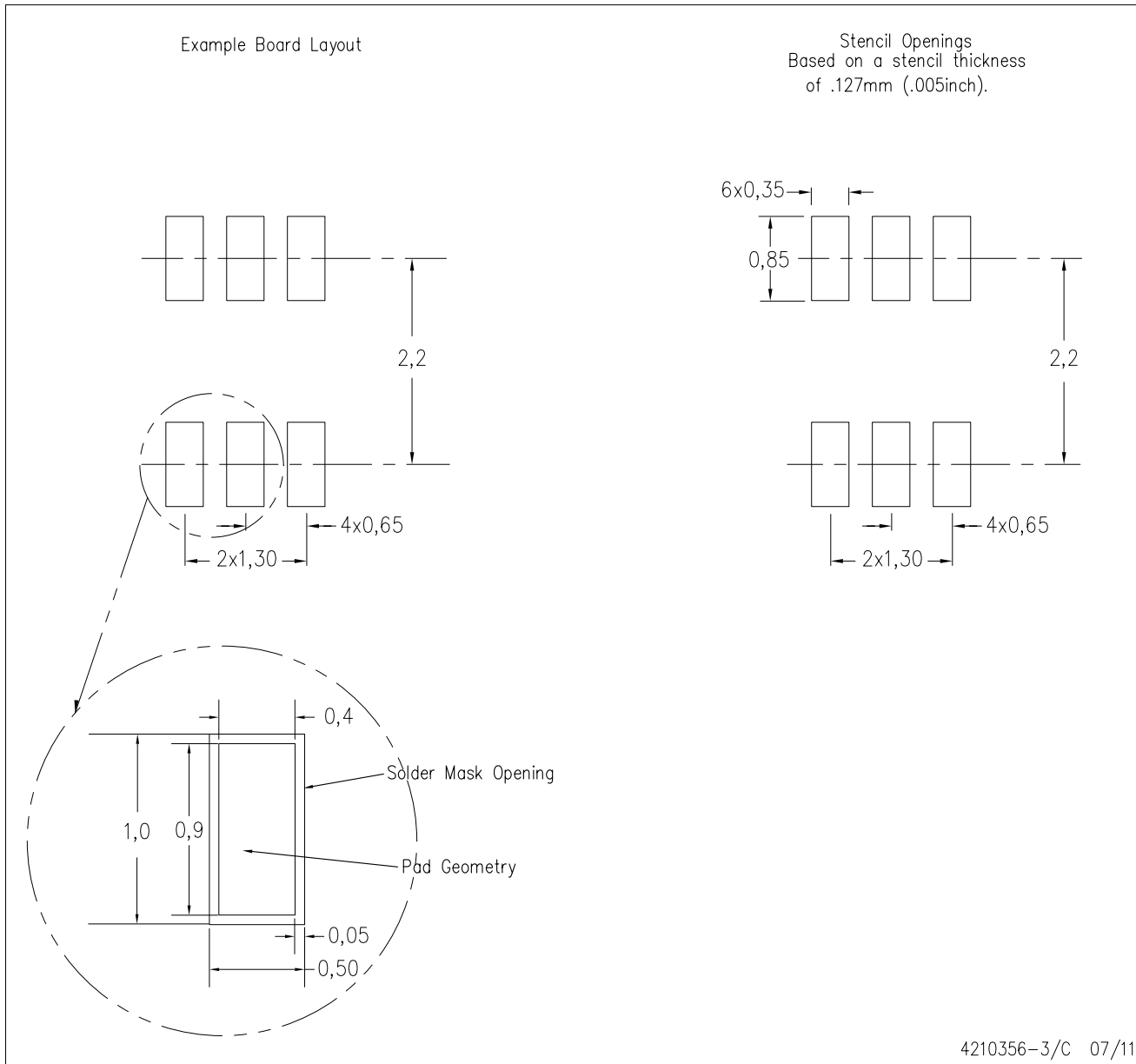
PLASTIC SMALL-OUTLINE PACKAGE



- NOTES:
- All linear dimensions are in millimeters.
  - This drawing is subject to change without notice.
  - Body dimensions do not include mold flash or protrusion. Mold flash and protrusion shall not exceed 0.15 per side.
  - Falls within JEDEC MO-203 variation AB.

DCK (R-PDSO-G6)

PLASTIC SMALL OUTLINE

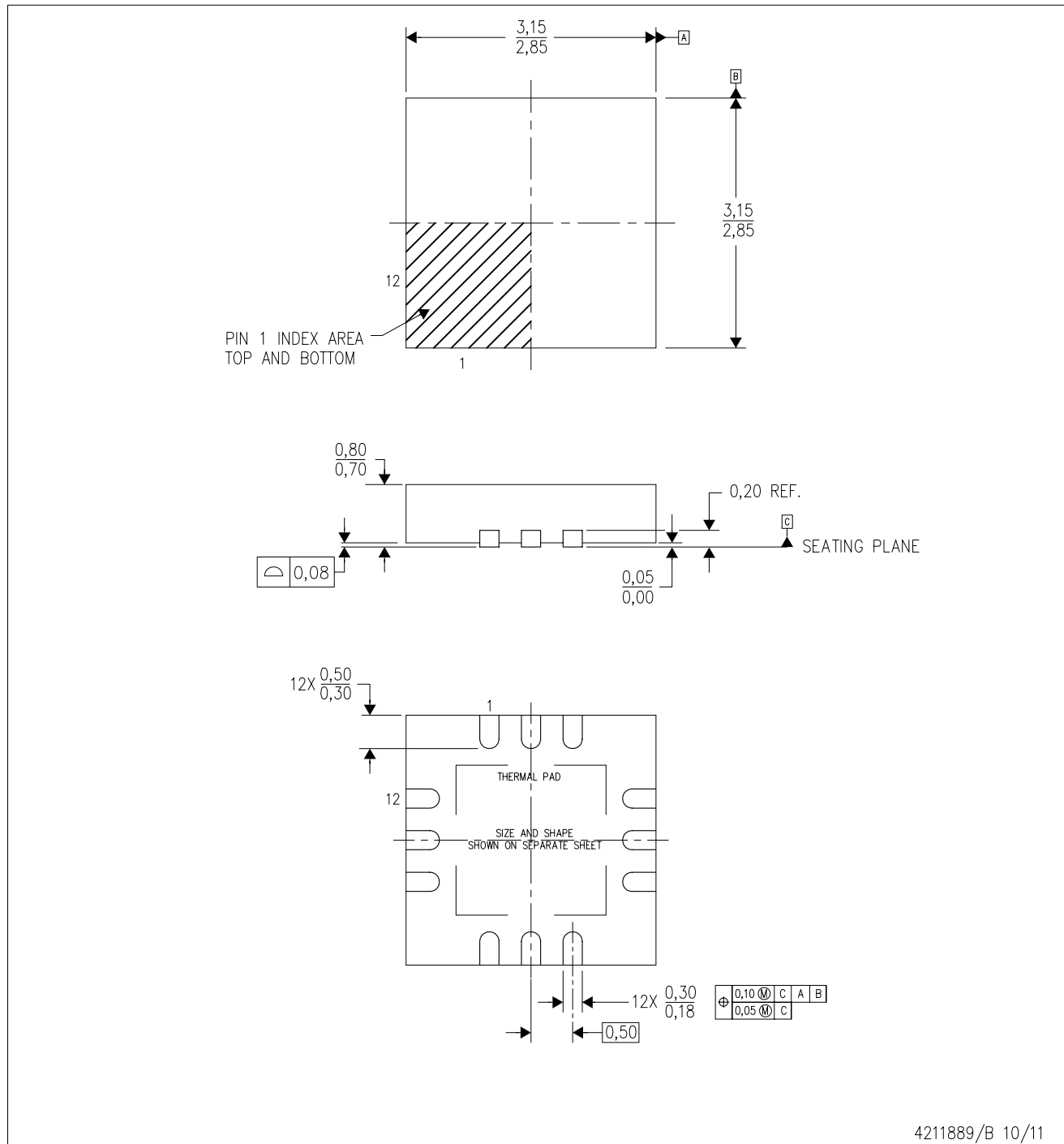


- NOTES:
- All linear dimensions are in millimeters.
  - This drawing is subject to change without notice.
  - Customers should place a note on the circuit board fabrication drawing not to alter the center solder mask defined pad.
  - Publication IPC-7351 is recommended for alternate designs.
  - Laser cutting apertures with trapezoidal walls and also rounding corners will offer better paste release. Customers should contact their board assembly site for stencil design recommendations. Example stencil design based on a 50% volumetric metal load solder paste. Refer to IPC-7525 for other stencil recommendations.

# MECHANICAL DATA

RVK (S-PWQFN-N12)

PLASTIC QUAD FLATPACK NO-LEAD



- NOTES:
- All linear dimensions are in millimeters. Dimensioning and tolerancing per ASME Y14.5M-1994.
  - This drawing is subject to change without notice.
  - Quad Flatpack, No-leads (QFN) package configuration.
  - The package thermal pad must be soldered to the board for thermal and mechanical performance.
  - See the additional figure in the Product Data Sheet for details regarding the exposed thermal pad features and dimensions.
  - Falls within JEDEC MO-220.

## 重要声明和免责声明

TI“按原样”提供技术和可靠性数据（包括数据表）、设计资源（包括参考设计）、应用或其他设计建议、网络工具、安全信息和其他资源，不保证没有瑕疵且不做任何明示或暗示的担保，包括但不限于对适销性、某特定用途方面的适用性或不侵犯任何第三方知识产权的暗示担保。

这些资源可供使用 TI 产品进行设计的熟练开发人员使用。您将自行承担以下全部责任：(1) 针对您的应用选择合适的 TI 产品，(2) 设计、验证并测试您的应用，(3) 确保您的应用满足相应标准以及任何其他功能安全、信息安全、监管或其他要求。

这些资源如有变更，恕不另行通知。TI 授权您仅可将这些资源用于研发本资源所述的 TI 产品的应用。严禁对这些资源进行其他复制或展示。您无权使用任何其他 TI 知识产权或任何第三方知识产权。您应全额赔偿因在这些资源的使用中对 TI 及其代表造成的任何索赔、损害、成本、损失和债务，TI 对此概不负责。

TI 提供的产品受 [TI 的销售条款](#) 或 [ti.com](#) 上其他适用条款/TI 产品随附的其他适用条款的约束。TI 提供这些资源并不会扩展或以其他方式更改 TI 针对 TI 产品发布的适用的担保或担保免责声明。

TI 反对并拒绝您可能提出的任何其他或不同的条款。

邮寄地址：Texas Instruments, Post Office Box 655303, Dallas, Texas 75265

Copyright © 2022，德州仪器 (TI) 公司

## X-ON Electronics

Largest Supplier of Electrical and Electronic Components

*Click to view similar products for [Analog Comparators](#) category:*

*Click to view products by [Texas Instruments](#) manufacturer:*

Other Similar products are found below :

[SC2903VDR2G](#) [LM2901SNG](#) [LM339SNG](#) [55122](#) [5962-8757203IA](#) [NTE911](#) [LM339EDR2G](#) [NTE922](#) [UPC177GR-9LG-E2-A](#)  
[HT393VRMZ](#) [LM2903YD](#) [NCV2200SN1T1G](#) [LM2903A-SR](#) [LM339A-SR](#) [HT339ARQZ](#) [LM2901XP](#) [LM2903DR-JSM](#) [MS8923](#)  
[LM239AM/TR](#) [LM393LVQDGKRQ1](#) [LM393LVQPWRQ1](#) [LM2903BWDSGRQ1](#) [TLV3801DSGT](#) [LM331BXF](#) [AD790JRZ-REEL](#)  
[LM339A-TR](#) [LT6700HVHS6-1#TRPBF](#) [GS2903-SR](#) [LMV7219M5/TR](#) [LMV7239M5/TR](#) [LM293ADR-HXY](#) [LM293DR-HXY](#) [LM339N-](#)  
[HXY](#) [LM393P-HXY](#) [IL339DT](#) [LM2901XQ](#) [RS331XF-Q1](#) [MIC842NYMT-TR](#) [LM393FVM-TR](#) [LM393P](#) [TLV3602QDGKRQ1](#)  
[TLV7032QDGKRQ1](#) [TLV3601QDBVRQ1](#) [LM2901BQPWRQ1](#) [TLV3603DCKR](#) [TLV3603DCKT](#) [AiP74HC85TA16.TB](#)  
[LMV331IDBVR\(MS\)](#) [LMV331TP-MS](#) [LMV331W5-7\(MS\)](#)