

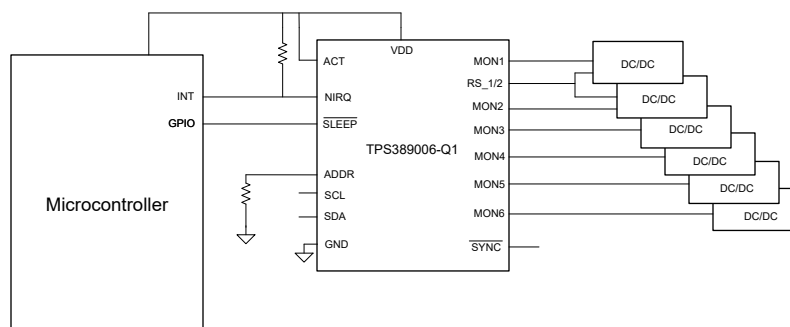
# TPS389006-Q1 多通道过压和欠压 I<sup>2</sup>C 可编程电压监控器和监测器

## 1 特性

- 符合 ASIL-D 功能安全标准
  - 适用于功能安全应用的开发
  - 可帮助进行 ISO 26262 系统设计的文档
  - 系统可满足 ASIL D 级要求
  - 硬件可满足 ASIL D 要求
- 具有符合 AEC-Q100 标准的下列特性：
  - 器件温度等级 1：-40°C 至 +125°C
- 监控先进的 SOC
  - ±6mV 阈值精度 (-40°C 至 +125°C)
  - 输入电压范围：2.5 V 至 5.5 V
  - 欠压锁定 (UVLO)：2.48 V
  - 低待机静态电流：200 µA
  - 6 通道，具有 2 个遥感引脚
    - 固定窗口阈值电平
      - 5 mV 阶跃 (0.2 V 至 1.475 V)
      - 20 mV 阶跃 (0.8 V 至 5.5 V)
- 微型解决方案和最低元件成本
  - 3 mm x 3 mm QFN 封装
  - 通过 I<sup>2</sup>C 可调的毛刺抑制
  - 用户可通过 I<sup>2</sup>C 调节电压阈值电平
- 专为安全应用设计
  - 低电平有效开漏 NIRQ 输出
  - 内置 8 位 ADC，可提供实时电压读数
  - 循环冗余校验 (CRC)
  - 数据包错误检查 (PEC)
  - 时序和故障记录
- 用于电源轨标记的同步功能
  - 连接多通道序列发生器以实现时序控制功能

## 2 应用

- 高级驾驶辅助系统 (ADAS)
- 传感器融合



TPS389006-Q1 典型电路

## 3 说明

TPS389006-Q1 器件是一款符合 ASIL-D 标准的六通道窗口监控器 IC，具有两个遥感引脚，采用 16 引脚 3mm x 3mm QFN 封装。这款高精度多通道电压监控器非常适合采用低电压电源轨的系统，具有非常小的电源容差裕度。

遥感引脚通过考虑 PCB 布线上的压降，在大电流内核电压轨上实现高精度电压测量。I<sup>2</sup>C 功能可方便用户灵活选择阈值、复位延迟、毛刺干扰滤波器以及引脚功能。内部毛刺抑制功能和噪声滤波器消除了对外部 RC 元件的需求，从而减少由电源瞬变引起的错误复位。此外，该器件不需要使用任何外部电阻器来设置过压和欠压复位阈值，因此进一步优化了整体精度、成本、解决方案尺寸并提高了安全系统的可靠性。

该器件可在导通或关断期间提供 CRC 错误校验、序列记录功能，并具有内置 ADC 来提供电压读数，进而提供冗余错误校验功能。此外，TPS389006-Q1 还提供同步功能来标记启动的电源轨。TPS389006-Q1 器件还可与 TI 的电源序列发生器 TPS38700-Q1 搭配使用，确保除了电压监控外，还具有正确的加电序列，从而符合 ASIL-D 级标准。

### 器件信息

器件型号	封装 (1)	封装尺寸 (标称值)
TPS389006-Q1	WQFN (16)	3mm x 3mm

- (1) 如需了解所有可用封装，请参阅产品说明书末尾的可订购产品附录。



## Table of Contents

<b>1 特性</b> .....	1	8.5 Register Maps.....	29
<b>2 应用</b> .....	1	<b>9 Application and Implementation</b> .....	93
<b>3 说明</b> .....	1	9.1 Application Information.....	93
<b>4 Revision History</b> .....	2	9.2 Typical Application.....	94
<b>5 Device Comparison</b> .....	3	<b>10 Power Supply Recommendations</b> .....	107
<b>6 Pin Configuration and Functions</b> .....	4	10.1 Power Supply Guidelines.....	107
<b>7 Specifications</b> .....	5	<b>11 Layout</b> .....	108
7.1 Absolute Maximum Ratings.....	5	11.1 Layout Guidelines.....	108
7.2 ESD Ratings.....	5	11.2 Layout Example.....	108
7.3 Recommended Operating Conditions.....	5	<b>12 Device and Documentation Support</b> .....	109
7.4 Thermal Information.....	6	12.1 Device Nomenclature.....	109
7.5 Electrical Characteristics.....	6	12.2 Documentation Support.....	110
7.6 Timing Requirements.....	8	12.3 接收文档更新通知.....	110
7.7 Typical Characteristics.....	10	12.4 支持资源.....	110
<b>8 Detailed Description</b> .....	11	12.5 Trademarks.....	110
8.1 Overview.....	11	12.6 静电放电警告.....	110
8.2 Functional Block Diagram.....	12	12.7 术语表.....	110
8.3 Feature Description.....	13	<b>13 Mechanical, Packaging, and Orderable Information</b> .....	110
8.4 Device Functional Modes.....	18		

## 4 Revision History

注：以前版本的页码可能与当前版本的页码不同

Changes from Revision A (March 2022) to Revision B (May2023)	Page
• 首次公开发布.....	1

## 5 Device Comparison

图 5-1 shows the device nomenclature of the TPS389006-Q1. Contact TI sales representatives or go online to TI's [E2E forum](#) for details and availability of other options; minimum order quantities apply.

See 节 12.1 for more information regarding the device ordering codes. 表 12-1 and 表 12-2 show how to decode the function of the device based on its part number.

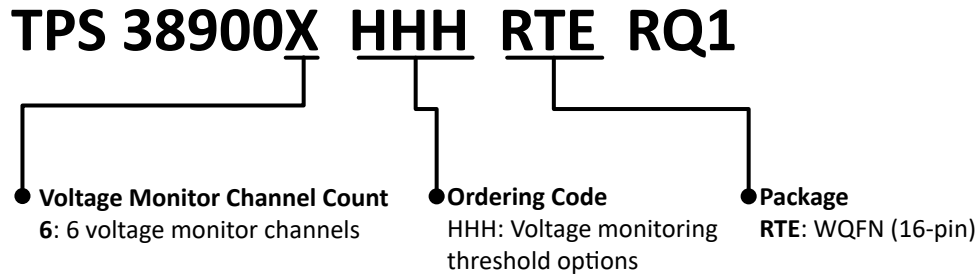


图 5-1. TPS389006-Q1 Device Nomenclature

## 6 Pin Configuration and Functions

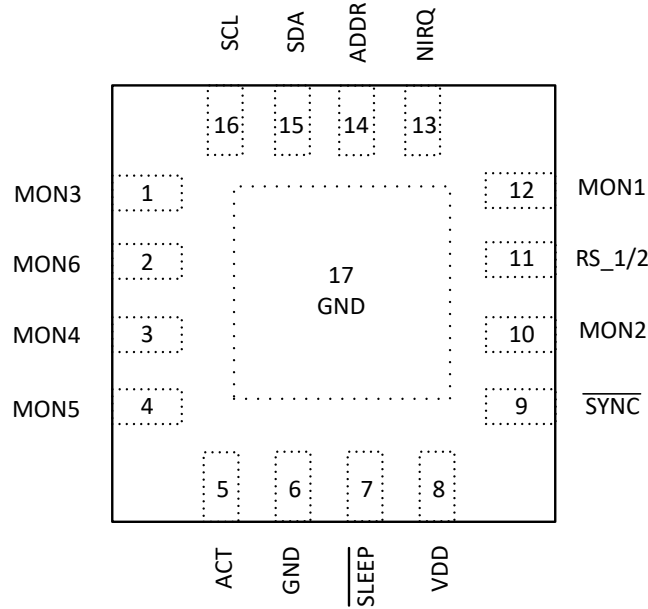


图 6-1. RTE Package  
16-Pin WQFN  
TPS389006-Q1 Top View

表 6-1. Pin Functions

NO.	PIN		I/O	DESCRIPTION
	TPS389006-Q1	NAME		
1	MON3		I	Voltage monitor channel 3
2	MON6		I	Voltage monitor channel 6
3	MON4		I	Voltage monitor channel 4
4	MON5		I	Voltage monitor channel 5
5	ACT		I	Active high device enable
6	GND		-	Power ground
7	SLEEP		I	Active low sleep enable
8	VDD		-	Power supply rail
9	SYNC		I/O	Sequence logging synchronization across multiple devices
10	MON2		I	Voltage monitor channel 2
11	RS_1/2		I	Voltage monitor channel 1/2 remote sense
12	MON1		I	Voltage monitor channel 1
13	NIRQ		O	Active-low open-drain interrupt output
14	ADDR		I	I <sup>2</sup> C address select pin
15	SDA		I/O	I <sup>2</sup> C data pin
16	SCL		I	I <sup>2</sup> C clock pin
17	GND		-	Exposed power ground pad

## 7 Specifications

### 7.1 Absolute Maximum Ratings

over operating free-air temperature range (unless otherwise noted)<sup>(1)</sup>

		MIN	MAX	UNIT
Voltage	VDD	-0.3	6	V
Voltage	NIRQ	-0.3	6	V
Voltage	ACT, SLEEP, SYNC, SCL, SDA	-0.3	VDD+0.3	V
Voltage	ADDR	-0.3	2	V
Voltage	MONx	-0.3	6	V
Current	NIRQ		±10	mA
Temperature <sup>(2)</sup>	Continuous total power dissipation	See the Thermal Information		
	Operating junction temperature, T <sub>J</sub>	-40	150	°C
	Operating free-air temperature, T <sub>A</sub>	-40	125	°C
	Storage temperature, T <sub>stg</sub>	-65	150	°C

- (1) Stresses beyond values listed under Absolute Maximum Ratings may cause permanent damage to the device. These are stress ratings only, which do not imply functional operation of the device at these or any other conditions beyond those indicated under Recommended Operating Conditions. Exposure to absolute-maximum-rated conditions for extended periods may affect device reliability.
- (2) As a result of the low dissipated power in this device, it is assumed that T<sub>J</sub> = T<sub>A</sub>.

### 7.2 ESD Ratings

		VALUE	UNIT	
V <sub>(ESD)</sub>	Electrostatic discharge	Human-body model (HBM), per ANSI/ESDA/JEDEC JS-001 <sup>(1)</sup>	±2000	
		Charged-device model (CDM), per AEC Q100-011	All pins	±500
			Corner pins	±750

- (1) AEC Q100-002 indicates that HBM stressing shall be in accordance with the ANSI/ESDA/JEDEC JS-001 specification

### 7.3 Recommended Operating Conditions

		MIN	NOM	MAX	UNIT
VDD	Supply pin voltage	2.5		5.5	V
NIRQ	Pin voltage	0		5.5	V
I <sub>NIRQ</sub>	Pin Currents	0		±1	mA
ADDR	Address pin voltage	0		1.8	V
MONx	Monitor Pins	0		5.5	V
ACT, SLEEP, SYNC, SCL, SDA	Pin Voltage	0		VDD	V
R <sub>UP</sub> <sup>(1)</sup>	Pull-up resistor (Open Drain config)	10		100	kΩ

## 7.4 Thermal Information

THERMAL METRIC <sup>(1)</sup>		TPS389006-Q1	UNIT
		RTE (WQFN)	
		PINS	
$R_{\theta JA}$	Junction-to-ambient thermal resistance	53.4	°C/W
$R_{\theta JC(top)}$	Junction-to-case (top) thermal resistance	51.4	°C/W
$R_{\theta JB}$	Junction-to-board thermal resistance	17.2	°C/W
$\Psi_{JT}$	Junction-to-top characterization parameter	0.3	°C/W
$\Psi_{JB}$	Junction-to-board characterization parameter	20.7	°C/W
$R_{\theta JC(bot)}$	Junction-to-case (bottom) thermal resistance	3.9	°C/W

(1) For more information about traditional and new thermal metrics, see the [Semiconductor and IC Package Thermal Metrics](#) application report.

## 7.5 Electrical Characteristics

At 2.6 V ≤ VDD ≤ 5.5 V, NIRQ Voltage = 10 kΩ to VDD, NIRQ load = 10 pF, and over the operating free-air temperature range of -40°C to 125°C, unless otherwise noted. Typical values are at T<sub>J</sub> = 25°C, typical conditions at VDD = 3.3 V.

PARAMETER		TEST CONDITIONS	MIN	TYP	MAX	UNIT
<b>COMMON PARAMETERS</b>						
VDD	Input supply voltage		2.6		5.5	V
VDD <sub>UVLO</sub>	Rising Threshold		2.67		2.81	V
	Falling Threshold		2.48		2.60	V
V <sub>POR</sub>	Power on Reset Voltage <sup>(2)</sup>				1.65	V
I <sub>DD_Active</sub>	Supply current into VDD pin (MON = LF/HF active) ACT = High, Sleep = High	VDD ≤ 5.5V		1.55	2	mA
I <sub>DD_Sleep</sub>	Supply current into VDD pin (MON = LF/HF active) ACT = High, Sleep = Low, I2C = Sleep power bit set to 1	VDD ≤ 5.5V		1.55	2	mA
I <sub>DD_Idle</sub>	Supply current into VDD pin (MON = OVLF active) ACT = Low, Idle state-I2C active and OVLF mon	VDD ≤ 5.5V >10ms BIST		200	280	μA
I <sub>DD_Deep Sleep</sub>	Supply current into VDD pin (MON = HF active), ACT = High, Sleep = Low, I2C = Sleep power bit set to 0	VDD ≤ 5.5V		275	380	μA
V <sub>MONX</sub>	MON voltage range		0.2		5.5	V
I <sub>MONX</sub>	Input current MONx pins	V <sub>MON</sub> = 5V			20	μA
I <sub>MONX_ADJ</sub>	Input current for ADJ version (1x)	V <sub>MON</sub> = 5V			0.1	μA
V <sub>MON_LF</sub>	1x mode (No scaling)		0.2		1.475	V
	with 4x scaling		0.8		5.5	V
V <sub>MON_HF</sub>	1x mode (No scaling)		0.2		1.475	V
	with 4x scaling		0.8		5.5	V
Threshold granularity <sub>H</sub> <sub>F</sub>	1x mode (No scaling) LSB			5		mV
	4x mode (With scaling) LSB			20		mV
LPF cutoff LF	Range of Programmable values (I <sup>2</sup> C selectable)	Low Freq channel	250		4000	Hz
LPF cutoff HF		High Freq channel		4		Mhz

## 7.5 Electrical Characteristics (continued)

At 2.6 V ≤ VDD ≤ 5.5 V, NIRQ Voltage = 10 kΩ to VDD, NIRQ load = 10 pF, and over the operating free-air temperature range of - 40°C to 125°C, unless otherwise noted. Typical values are at Tj = 25°C, typical conditions at VDD= 3.3 V.

PARAMETER		TEST CONDITIONS	MIN	TYP	MAX	UNIT
Accuracy_HF	VMON	0.2V ≤ VMONX ≤ 1.0V	-6		6	mV
		1.0V < VMONX ≤ 1.475V	-7.5		7.5	mV
		1.475V < VMONX ≤ 2.95V	-0.6		0.6	%
		VMONX > 2.95V	-0.7		0.7	%
V <sub>HYS_HF</sub>	Hysteresis on UV,OV pin(Hysteresis is with respect of the tripoint ((UV),(OV)) (1))	0.2V ≤ VMONX ≤ 1.475V		5	11	mV
		1.475V < VMONX ≤ 2.95V		9	16	
		VMONX > 2.95V		17	28	mV
MON_OFF	OFF Voltage threshold	Monitored falling edge of V <sub>MON</sub>	140		215	mV
I <sub>LKG</sub>	Output leakage current -NIRQ	VDD=V <sub>NIRQ</sub> =5.5V			300	nA
ACT_L	Logic Low input	DEV_CONFIG.SOC_IF1=1			0.36	V
ACT_H	Logic high input	DEV_CONFIG.SOC_IF1=1	0.84			V
SLEEP_L	Logic Low input	DEV_CONFIG.SOC_IF1=1			0.36	V
SLEEP_H	Logic high input	DEV_CONFIG.SOC_IF1=1	0.84			V
SYNC_L	Input High	DEV_CONFIG.SOC_IF1=1			0.36	V
SYNC_H	Input Low	DEV_CONFIG.SOC_IF1=1	0.84			V
SYNC_PU	Internal Pull-up		25		100	kΩ
SYNC_OL	with 10kΩ external pull up				0.1	V
ACT	Internal Pull down			100		kΩ
SLEEP	Internal Pull down			100		kΩ
UV,OV	Steps/Resolution	0.2V < VMONX ≤ 1.475V		5		mV
		0.8V < VMONX < 5.5V		20		
V <sub>OL</sub>	Low level output voltage-NIRQ	NIRQ ,5.5V/5mA			100	mV
I <sub>kg(OD)</sub>	Open-Drain output leakage current-NIRQ	NIRQ pin in High Impedance, V <sub>NIRQ</sub> = 5.5, Not asserted state			90	nA
I <sub>ADDR</sub>	ADDR pin current			20		μA
I <sup>2</sup> C ADDR	(Hex format)	R=5.36k		0x30		
		R=16.2k		0x31		
		R=26.7k		0x32		
		R=37.4k		0x33		
		R=47.5k		0x34		
		R=59.0k		0x35		
		R=69.8k		0x36		
R=80.6k		0x37				
TSD	Thermal Shutdown			155		°C
TSD Hys	Thermal Shutdown Hysteresis			20		°C
RS	Remote sense range		-100		100	mV
<b>ADC SPECIFICATION</b>						
V <sub>in</sub>	Input Range		0.2		5.5	V
Res_LF	Resolution	1x mode (No scaling)		5		mV
		4x mode		20		mV
f <sub>s</sub>	Sample Rate			125		ksps
V <sub>HYS_LF</sub>	Hysteresis LF faults	1x mode (No scaling)		10	15	mV
V <sub>HYS_LF</sub>	Hysteresis LF faults	4x mode		40	55	mV

## 7.5 Electrical Characteristics (continued)

At 2.6 V ≤ VDD ≤ 5.5 V, NIRQ Voltage = 10 kΩ to VDD, NIRQ load = 10 pF, and over the operating free-air temperature range of - 40°C to 125°C, unless otherwise noted. Typical values are at T<sub>J</sub> = 25°C, typical conditions at VDD = 3.3 V.

PARAMETER		TEST CONDITIONS	MIN	TYP	MAX	UNIT
Accuracy_LF	VMON	1x mode (No scaling)	-12		+12	mV
		4x mode	-40		+40	mV
<b>I2C ELECTRICAL SPECIFICATIONS</b>						
C <sub>B</sub>	Capacitive load for SDA and SCL				400	pF
SDA,SCL	Low Threshold	DEV_CONFIG.SOC_IF1=0			0.8	V
SDA,SCL	High Threshold	DEV_CONFIG.SOC_IF1=0	2.0			V

- (1) Hysteresis is with respect of the tripoint (V<sub>IT-(UV)</sub>, V<sub>IT+(OV)</sub>).
- (2) V<sub>POR</sub> is the minimum V<sub>DDEX</sub> voltage level for a controlled output state.

## 7.6 Timing Requirements

At 2.6 V ≤ VDD ≤ 5.5 V, NIRQ Voltage = 10 kΩ to VDD, NIRQ load = 10 pF, and over the operating free-air temperature range of - 40°C to 125°C, unless otherwise noted. Typical values are at T<sub>J</sub> = 25°C, typical conditions at VDD = 3.3 V.

			MIN	NOM	MAX	UNIT
<b>COMMON PARAMETERS</b>						
t <sub>BIST</sub>	POR to ready with BIST, TEST_CFG.AT_POR=1	includes OTP load			12	ms
t <sub>NBIST</sub>	POR to ready without BIST, TEST_CFG.AT_POR=0	includes OTP load			2	ms
BIST	BIST time,TEST_CFG.AT_POR=1 or TEST_CFG.AT_SHDN=1				10	ms
t <sub>I2C_ACT</sub>	I <sup>2</sup> C active from BIST complete				0	μs
t <sub>SEQ_Range</sub>	Sequence timestamp range, ACT or SLEEP edge to max counter				4	s
t <sub>SEQ_LSB</sub>	Sequence timestamp resolution			50		μs
t <sub>MON_ACT</sub>	Monitoring active from ACT rising edge				10	μs
t <sub>SEQ_ACT</sub>	Sequence tagging active from ACT or SLEEP edge				12	μs
t <sub>NIRQ</sub>	Fault detection to NIRQ assertion latency (except OV/UV faults)				25	μs
t <sub>PD_NIRQ_1X</sub>	HF fault Propagation detect delay (default deglitch filter) includes digital delay	VIT_OV/UV +/- 100mV			650	ns
t <sub>PD_NIRQ_4X</sub>	HF fault Propagation detect delay (default deglitch filter) includes digital delay	VIT_OV/UV +/- 400mV			750	ns
t <sub>SEQ_ACC</sub>	Accuracy of sequence timestamp		-5		5	%
t <sub>GL_R</sub>	UV & OV debounce range via I2C	FLT_HF(N)	0.1		102.4	μs



## 7.6 Timing Requirements (continued)

At  $2.6\text{ V} \leq \text{VDD} \leq 5.5\text{ V}$ , NIRQ Voltage =  $10\text{ k}\Omega$  to VDD, NIRQ load =  $10\text{ pF}$ , and over the operating free-air temperature range of  $-40^\circ\text{C}$  to  $125^\circ\text{C}$ , unless otherwise noted. Typical values are at  $T_J = 25^\circ\text{C}$ , typical conditions at  $\text{VDD} = 3.3\text{ V}$ .

			MIN	NOM	MAX	UNIT
<b>I2C TIMING CHARACTERISTICS</b>						
$f_{\text{SCL}}$	Serial clock frequency	Standard mode			100	kHz
$f_{\text{SCL}}$	Serial clock frequency	Fast mode			400	kHz
$f_{\text{SCL}}$	Serial clock frequency	Fast mode +			1	MHz
$t_{\text{LOW}}$	SCL low time	Standard mode	4.7			$\mu\text{s}$
$t_{\text{LOW}}$	SCL low time	Fast mode	1.3			$\mu\text{s}$
$t_{\text{LOW}}$	SCL low time	Fast mode +	0.5			$\mu\text{s}$
$t_{\text{HIGH}}$	SCL high time	Standard mode	4			$\mu\text{s}$
$t_{\text{HIGH}}$	SCL high time	Fast mode +	0.26			$\mu\text{s}$
$t_{\text{SU,DAT}}$	Data setup time	Standard mode	250			ns
$t_{\text{SU,DAT}}$	Data setup time	Fast mode	100			ns
$t_{\text{SU,DAT}}$	Data setup time	Fast mode +	50			ns
$t_{\text{HD,DAT}}$	Data hold time	Standard mode	10		3450	ns
$t_{\text{HD,DAT}}$	Data hold time	Fast mode	10		900	ns
$t_{\text{HD,DAT}}$	Data hold time	Fast mode +	10			ns
$t_{\text{SU,STA}}$	Setup time for a Start or Repeated Start condition	Standard mode	4.7			$\mu\text{s}$
$t_{\text{SU,STA}}$	Setup time for a Start or Repeated Start condition	Fast mode	0.6			$\mu\text{s}$
$t_{\text{SU,STA}}$	Setup time for a Start or Repeated Start condition	Fast mode +	0.26			$\mu\text{s}$
$t_{\text{HD,STA}}$	Hold time for a Start or Repeated Start condition	Standard mode	4			$\mu\text{s}$
$t_{\text{HD,STA}}$	Hold time for a Start or Repeated Start condition	Fast mode	0.6			$\mu\text{s}$
$t_{\text{HD,STA}}$	Hold time for a Start or Repeated Start condition	Fast mode +	0.26			$\mu\text{s}$
$t_{\text{BUF}}$	Bus free time between a STOP and START condition	Standard mode	4.7			$\mu\text{s}$
$t_{\text{BUF}}$	Bus free time between a STOP and START condition	Fast mode	1.3			$\mu\text{s}$
$t_{\text{BUF}}$	Bus free time between a STOP and START condition	Fast mode +	0.5			$\mu\text{s}$
$t_{\text{SU,STO}}$	Setup time for a Stop condition	Standard mode	4			$\mu\text{s}$
$t_{\text{SU,STO}}$	Setup time for a Stop condition	Fast mode	0.6			$\mu\text{s}$
$t_{\text{SU,STO}}$	Setup time for a Stop condition	Fast mode +	0.26			$\mu\text{s}$
$t_{\text{rDA}}$	Rise time of SDA signal	Standard mode			1000	
$t_{\text{rDA}}$	Rise time of SDA signal	Fast mode	20		300	ns
$t_{\text{rDA}}$	Rise time of SDA signal	Fast mode +			120	ns
$t_{\text{fDA}}$	Fall time of SDA signal	Standard mode			300	ns
$t_{\text{fDA}}$	Fall time of SDA signal	Fast mode	1.4		300	ns
$t_{\text{fDA}}$	Fall time of SDA signal	Fast mode +	6.5		120	ns
$t_{\text{rCL}}$	Rise time of SCL signal	Standard mode			1000	ns
$t_{\text{rCL}}$	Rise time of SCL signal	Fast mode	20		300	ns
$t_{\text{rCL}}$	Rise time of SCL signal	Fast mode +			120	ns
$t_{\text{fCL}}$	Fall time of SCL signal	Standard mode			300	ns
$t_{\text{fCL}}$	Fall time of SCL signal	Fast mode	6.5		300	ns
$t_{\text{fCL}}$	Fall time of SCL signal	Fast mode +	6.5		120	ns
$t_{\text{SP}}$	Pulse width of SCL and SDA spikes that are suppressed	Standard mode, Fast mode and Fast mode +			50	ns

## 7.7 Typical Characteristics

At  $T_J = 25^\circ\text{C}$ ,  $V_{DD} = 3.3\text{ V}$ , and  $R_{PU} = 10\text{ k}\Omega$ , unless otherwise noted.

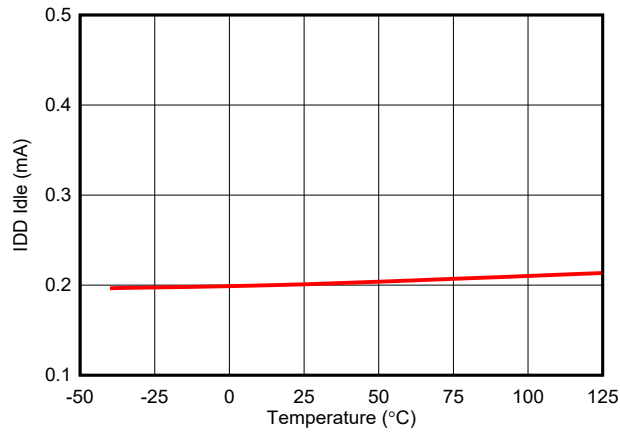


图 7-1. Idle Input Current Vs Temperature

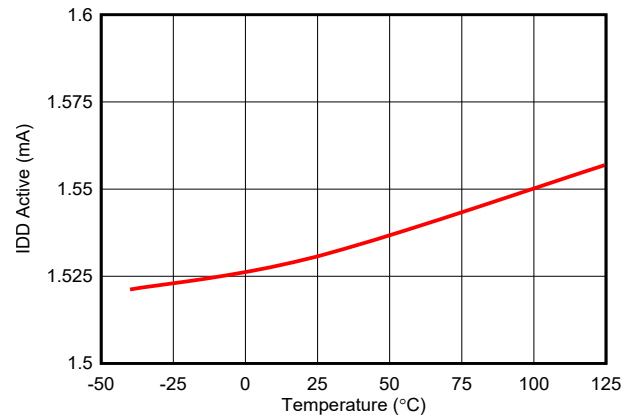


图 7-2. Active Input Current Vs Temperature

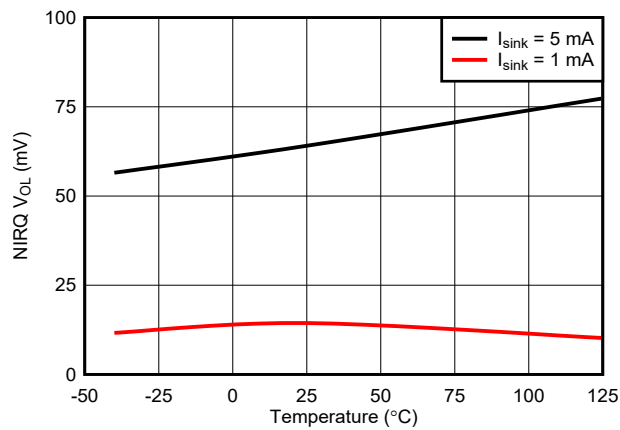


图 7-3. NIRQ Low Level Output Voltage Vs Temperature

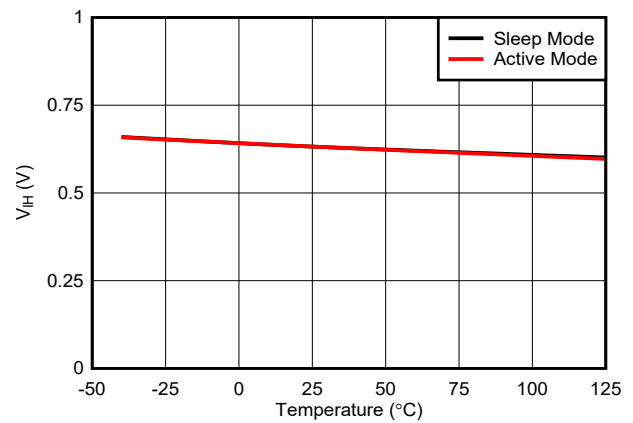


图 7-4. High Level Input Voltage Vs Temperature

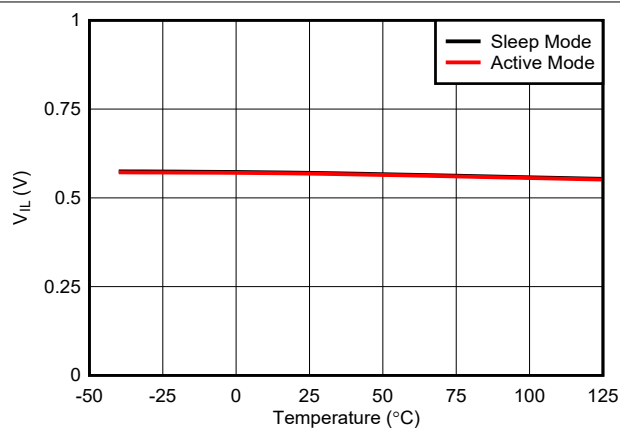


图 7-5. Low Level Input Voltage Vs Temperature

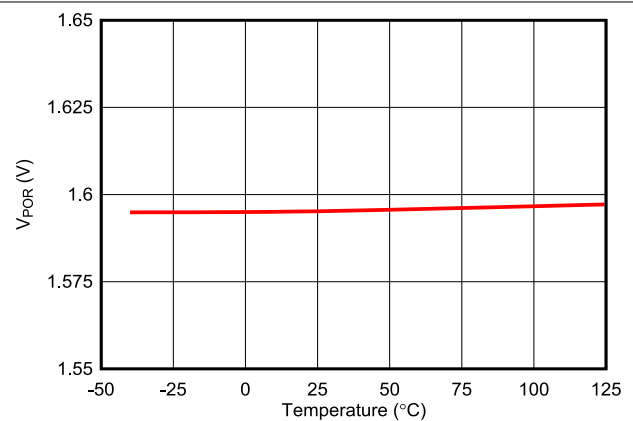


图 7-6. Power-on-Reset Voltage Vs Temperature

## 8 Detailed Description

### 8.1 Overview

The TPS389006-Q1 family of devices has six channels that can be configured for over voltage, under voltage or both in a window configuration. The TPS389006-Q1 features highly accurate window threshold voltages (up to  $\pm 6$  mV) and a variety of voltage thresholds which can be factory configured or set on boot up by I<sup>2</sup>C commands.

The TPS389006-Q1 includes the resistors used to set the overvoltage and undervoltage thresholds internal to the device. These internal resistors allow for lower component counts and greatly simplifies the design because no additional margins are needed to account for the accuracy of external resistors.

The TPS389006-Q1 also has a sequence logging feature to monitor and assign timestamps/log for the power rails turning on and off. It can perform sequence logging on a single device or across multiple devices on a board. It uses the  $\overline{\text{SYNC}}$  pin to communicate across multiple devices. When either the ACT or  $\overline{\text{SLEEP}}$  pin transitions from low to high or high to low, the sequence logging function becomes active until the expiry of the sequence timeout (SEQ\_TOUT). During the sequence timeout, the UV faults can be masked (Automask - AMSK).

The TPS389006-Q1 is designed to assert active low output signals (NIRQ) when the monitored voltage is outside the safe window. The factory configuration can have the interrupts disabled for over voltage and under voltage faults, sequence timeout, BIST enabled at POR, sequence fault interrupts disabled, and over voltage and under voltage deglitch settings depending on the OTP.

## 8.2 Functional Block Diagram

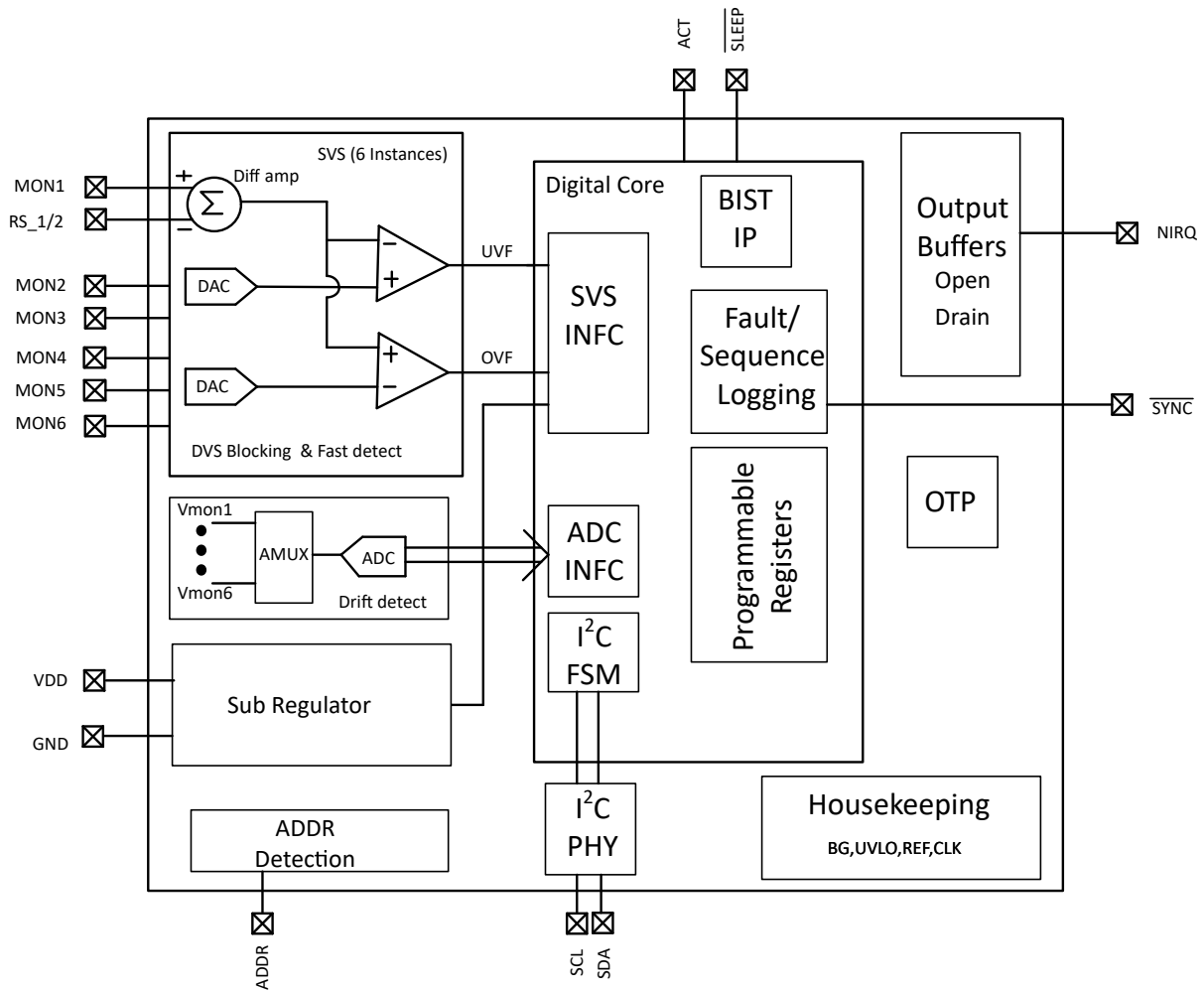


图 8-1. TPS389006-Q1 Block Diagram

### 8.3 Feature Description

#### 8.3.1 I<sup>2</sup>C

The TPS389006-Q1 device follows the I<sup>2</sup>C protocol (up to 1MHz) to manage communication with host devices such as a MCU or System on Chip (SoC). I<sup>2</sup>C is a two wire communication protocol implemented using two signals, clock (SCL) and data (SDA). The host device is the primary controller of communication. TPS389006-Q1 device responds over the data line during read or write operations as defined by I<sup>2</sup>C protocol. Both SCL and SDA signals are open drain topology and can be used in a wired-OR configuration with other devices to share the communication bus. Both SCL and SDA pins need an external pull up resistor to supply voltage (10 k $\Omega$  recommended).

图 8-2 shows the timing relationship between SCL and SDA lines to transfer 1 byte of data. SCL line is always controlled by host. To transfer 1 byte data, host needs to send 9 clocks on SCL. 8 clocks for data and 1 clock for ACK or NACK. SDA line is controlled by either the host or TPS389006-Q1 device based on the read or write operation. 图 8-2 and 图 8-3 highlight the communication protocol flow and which device controls SDA line at various instances during active communication.

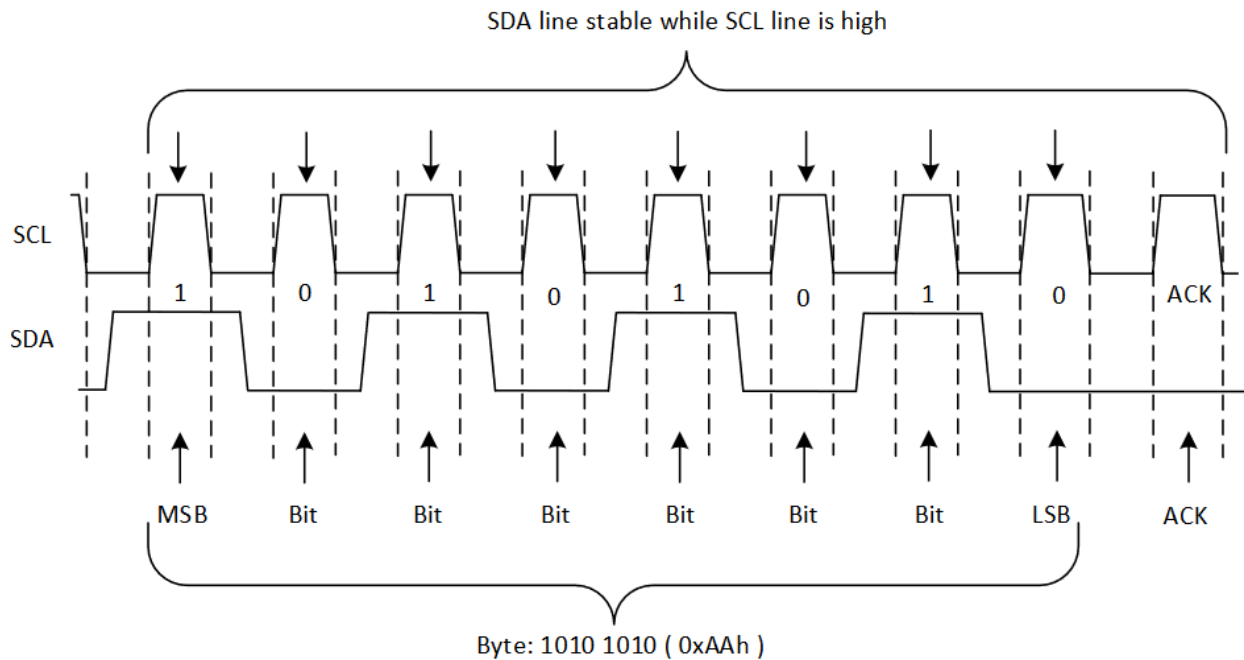


图 8-2. SCL to SDA Timing for 1 Byte Data Transfer

- Controller Controls SDA Line
- Target Controls SDA Line

Write to One Register in a Device

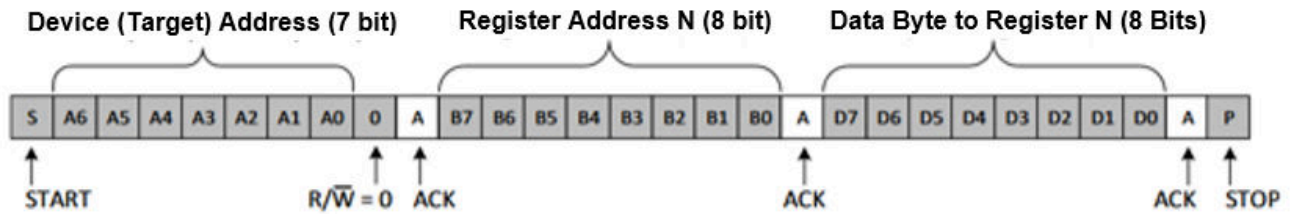


图 8-3. I<sup>2</sup>C Write Protocol

- Controller Controls SDA Line
- Target Controls SDA Line

Read From One Register in a Device

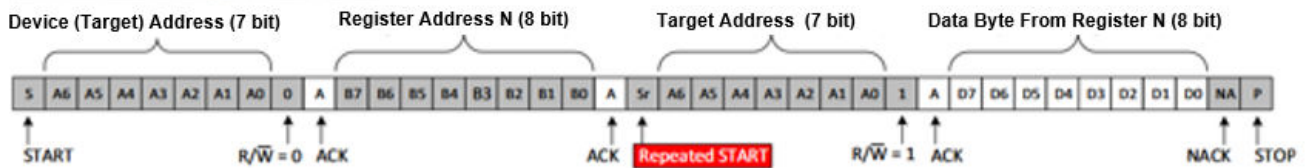


图 8-4. I<sup>2</sup>C Read Protocol

Before initiating communication over I<sup>2</sup>C protocol, host needs to confirm the I<sup>2</sup>C bus is available for communication. Monitor the SCL and SDA lines, if any line is pulled low, the I<sup>2</sup>C bus is occupied. Host needs to wait until the bus is available for communication. Once the bus is available for communication, the host can initiate read or write operation by issuing a START condition. Once the I<sup>2</sup>C communication is complete, release the bus by issuing STOP command. 图 8-5 shows how to implement START and STOP condition.

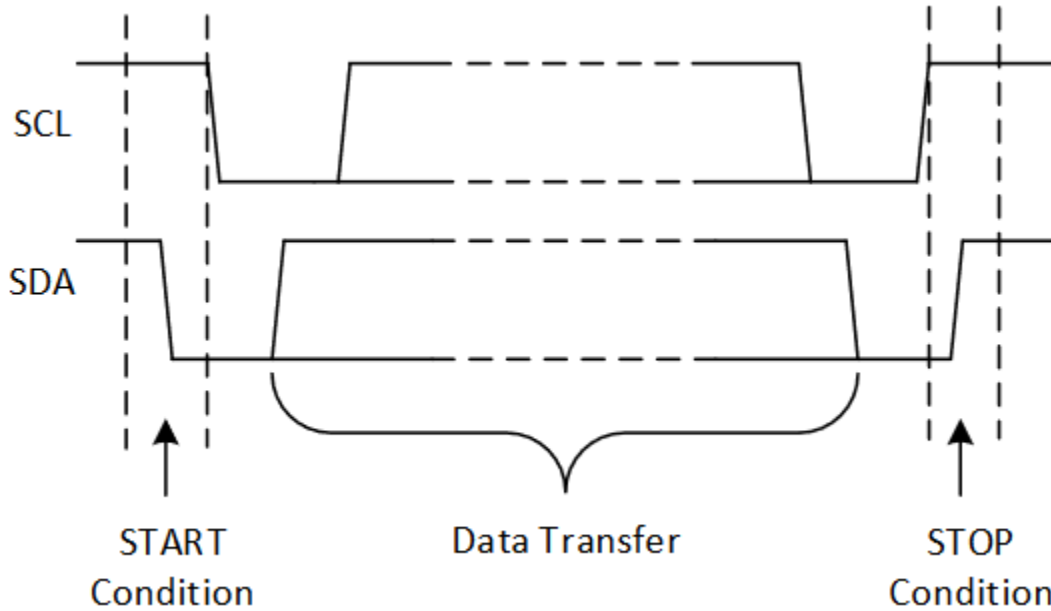


图 8-5. I<sup>2</sup>C START and STOP Condition

表 8-1 shows the different functionality available when programming with I<sup>2</sup>C.

表 8-1. User Programmable I<sup>2</sup>C Functions

FUNCTIONS	DESCRIPTION
Thresholds for OV/UV- fast loop	Adjustable in 5 mV steps from 0.2 V to 1.475 V and 20 mV steps from 0.8 V to 5.5 V
Thresholds for drift -positive and negative	Adjustable in 5 mV steps from 0.2 V to 1.475 V and 20 mV steps from 0.8 V to 5.5 V
Voltage Monitoring scaling	1 or 4
Glitch (debounce) immunity for OV/UV-fast loop	0.1 us to 102.4 us
Enable sequence timeout	1 ms to 4 s
Sleep sequence timeout	1 ms to 4 s
SYNC pulse width	50 us to 2600 us
Expected ON/OFF Sequence on ACT	Used for sequence logging
Expected ON/OFF Sequence on Sleep	Used for sequence logging
Auto Mask OFF-ON-OFF via ACT	Selectable for each MON channel
Auto Mask OFF-ON-OFF via SLEEP	Selectable for each MON channel
Packet error checking for I <sup>2</sup> C	Enabling or Disabling
Force NIRQ assertion	Controlled by I <sup>2</sup> C register
Individual channel MON	Enable or Disable
Interrupt disable functions	BIST, PEC, TSD, CRC

### 8.3.2 Auto Mask (AMSK)

In the case of power up AMSK\_ON and AMSK\_EXS registers apply. It masks interrupts till the MON voltage crosses the UVLF threshold or sequence timeout expires whichever is sooner. In the case of power down AMSK\_OFF and AMSK\_ENS registers apply. It masks interrupts till the MON voltage is below the OFF threshold and then the OVLF interrupts are active.

表 8-2 summarizes the auto-mask operation for the ACT and SLEEP transitions.

表 8-2. Transition Table

TRANSITION	AUTO-MASK APPLIED	AUTO-MASK APPLIES TO	AUTO-MASK INACTIVE	INTERRUPTS ACTIVE FOR MON CHANNELS NOT IN AUTO-MASK
ACT (Low -> High)	AMSK_ON	IEN_UVLF, IEN_UVHF, IEN_OVHF	SEQ_TOUT expires or rail crosses UVLF	At ACT=High
ACT (High -> Low)	AMSK_OFF	IEN_UVLF, IEN_UVHF, IEN_OVHF	Auto-mask active in transition till SEQ_TOUT expires	Until SEQ_TOUT expires
SLEEP (Low -> High) ACT = High	AMSK_EXS	IEN_UVLF, IEN_UVHF, IEN_OVHF	SEQ_TOUT expires or rail crosses UVLF	Always active
SLEEP (High -> Low) ACT = High	AMSK_ENS	IEN_UVLF, IEN_UVHF, IEN_OVHF	Auto-mask active	Always active

### 8.3.3 PEC

TPS389006-Q1 supports Packet Error Checking (PEC). It uses a CRC-8 represented by the polynomial  $C(x)=x^8 + x^2 + x + 1$ , with CRC initial value set to 0x00. The PEC calculation includes all bytes in the transmission, including address, command and data. The PEC calculation does not include ACK or NACK bits or START,STOP or REPEATED START conditions. The device which acts as a peripheral and supports PEC must be prepared to perform the transfer with or without a PEC, verify the correctness of the PEC if present and only process the message if PEC is correct.

- If PEC is enabled by EN\_PEC, and the PEC byte is present in the write transaction, the device will NACK and assert NIRQ if PEC byte is incorrect.
- If PEC is enabled by EN\_PEC, and the PEC byte is not present in the write transaction

-If REQ\_PEC = 0, missing PEC is treated as good PEC and register write succeeds. NIRQ is not asserted.

-If REQ\_PEC = 1, missing PEC is treated as incorrect PEC and register write fails. NIRQ is asserted.

### 8.3.4 VDD

The TPS389006-Q1 is designed to operate from an input voltage supply range between 2.5 V to 5.5 V. An input supply capacitor is not required for this device; however, if the input supply is noisy good analog practice is to place a 1- $\mu$ F capacitor between the VDD pin and the GND pin.

$V_{DD}$  needs to be at or above  $V_{DD(MIN)}$  for at least the start-up delay ( $t_{SD} + t_D$ ) for the device to be fully functional.

### 8.3.5 MON

The TPS389006-Q1 combines two comparators with a precision reference voltage and a trimmed resistor divider per monitor (MON) channel. This configuration optimizes device accuracy because all resistor tolerances are accounted for in the accuracy and performance specifications. Both comparators also include built-in hysteresis that provides noise immunity and ensures stable operation.

Although not required in most cases, for noisy applications good analog design practice is to place a 1-nF to 10-nF bypass capacitor at the MON input in order to reduce sensitivity to transient voltages on the monitored signal. Specific deglitch times can also be set independently for each MON via I<sup>2</sup>C registers

When monitoring VDD supply voltage, the MON pin can be connected directly to VDD. The output (NIRQ) is high impedance when voltage at the MON pin is between upper and lower boundary of threshold.

### 8.3.6 NIRQ

In a typical TPS389006-Q1 application, the NIRQ output is connected to a reset or enable input of a processor [such as a digital signal processor (DSP), application-specific integrated circuit (ASIC), or other processor type] or the enable input of a voltage regulator such as a DC-DC converter or low-dropout regulator (LDO).

The TPS389006-Q1 has an open drain active low output that requires a pull-up resistor to hold these lines high to the required voltage logic. Connect the pull-up resistor to the proper voltage rail to enable the output to be



connected to other devices at the correct interface voltage levels. The pull-up resistor value is determined by  $V_{OL}$ , output capacitive loading, and output leakage current. These values are specified in [节 7](#). The open drain output can be connected as a wired-OR logic with other open drain signals such as another TPS389006-Q1 NIRQ pin.

### 8.3.7 ADC

The ADC used in the TPS389006-Q1 runs on a 1MHz clock with an effective sampling rate of 1/8 MHz (= 125 kHz). Initially, the ADC records with a resolution of 12 bits (1LSB = 0.41667mV) which is later round off to 8-bit data for I<sup>2</sup>C transaction. (1LSB = 5mV) The ADC uses ping-pong architecture in which it requires 2us for both sampling and conversion per channel with a total of 2 sampling channels. While CH0 performs coarse conversion, CH1 does fine conversion and vice versa.

Digitized 8-bit data is updated once the fine conversion is completed, which occurs once every 8  $\mu$ s. Each I<sup>2</sup>C transaction initiated for reading 8-bit MON\_LVL data (the ADC data of a particular channel), 8-bit data is paused from updating until the I<sup>2</sup>C transaction completes.

Voltage scaling is done using a resistor ladder, but for differential mode channels, a chopping circuit is used to get the average of both of the voltages  $(V_{MON} + V_{MON\_RS})/2$  since  $V_{MON\_RS}$  can be negative and can't be converted into an ADC code.  $V_{MON} - V_{MON\_RS}$  is calculated digitally by subtracting  $((V_{MON} + V_{MON\_RS})/2)$  from  $V_{MON}$  and then multiplying by 2.

The MONX channels can be configured in 1x (0.2V to 1.475V) or 4x mode (0.8V to 5.5V). For differential mode channels configured in 1x mode, (MON1 and MON2) the ADC range is limited up to 1.7V. To configure an ADC channel above 1.7 V, please use 4x mode.

Real time voltage measurements use [方程式 1](#).

$$V_{VI} = ((ADC[7:0] * 5mV) + 0.2) * (VRANGE\_MULT) \quad (1)$$

1. ADC[7:0] is translated to a corresponding decimal value. The value of ADC[7:0] corresponding to MON1-MON6 can be read from registers [0x40-0x45](#) of [节 8.5.1](#).
2. VRANGE\_MULT corresponds to the selected monitor voltage multiplier set in register [0x1F](#) of [节 8.5.2](#).
3. VRANGE\_MULT is set to a decimal 1 or 4 value depending on monitored value.

### 8.3.8 Time Stamp

Time stamp measurement use [方程式 2](#). The time stamps are used for sequence logging purposes to determine the order in which the rails are turned on or off.

$$t_{stamp} = 50 \mu s * CLOCK[15:0] \quad (2)$$

1. CLOCK[15:0] translated to corresponding decimal value. The value of CLOCK[15:0] corresponding to MON1-MON6 can be read from registers [0x90-0x9B](#) of [BANK0](#).

## 8.4 Device Functional Modes

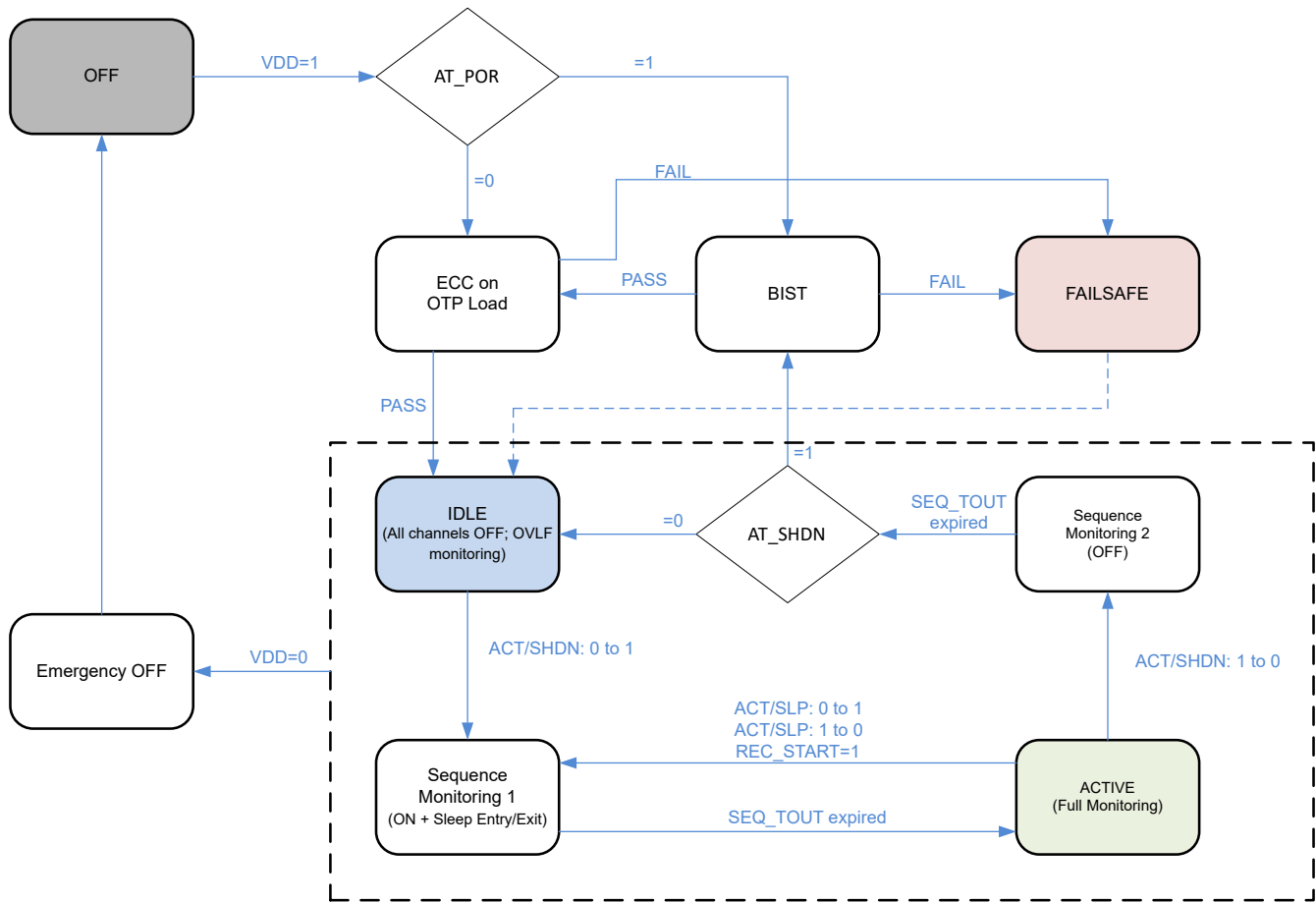


图 8-6. TPS389006-Q1 State Diagram

### 8.4.1 Built-In Self Test and Configuration Load

Built-In Self Test (BIST) is performed:

1. At Power On Reset (POR), if TEST\_CFG.AT\_POR=1
2. When exiting ACTIVE state due to ACT transitioning from 1→0, if TEST\_CFG.AT\_SHDN=1

Configuration load from OTP is assisted by ECC (supporting SEC-DED). This is to protect against data integrity issues and to maximize system availability.

During BIST, NIRQ is de-asserted (asserted in case of failure), input pins are ignored,  $\overline{\text{SYNC}}$  is tri-stated, and the I<sup>2</sup>C block is inactive with SDA and SCL de-asserted. The BIST includes device testing to meet the Functional Safety goals outlined in functional safety documentation. Once BIST is completed without failure, I<sup>2</sup>C is immediately active and the device enters the IDLE state after loading the configuration data from OTP. If BIST fails and/or ECC reports Double-Error Detection (DED; meant for detecting multiple bit flips when loading data from memory), NIRQ is asserted, the device enters FAILSAFE state, and a best effort attempt is made to keep the I<sup>2</sup>C function active. TEST\_INFO register may provide additional information on the test results.

The detailed behavior upon success/failure of the BIST is controlled by INT\_TEST and IEN\_TEST registers. Reporting of the BIST results is carried out through:

- NIRQ pin: pulled low depending on the test result and BIST\_C and BIST bits in IEN\_TEST
- I\_BIST\_C and BIST bits in INT\_TEST register depending on IEN\_TEST settings
- VMON\_STAT.ST\_BIST\_C register bit
- TEST\_INFO[3:0] register bits

### 8.4.1.1 Notes on BIST Execution

Upon Power-On-Reset, the TPS389006-Q1 needs to make a decision whether to run BIST or not, based on the value of the `TEST_CFG.AT_POR` register bit. Assuming that ECC on this register is performed after BIST has checked the ECC logic itself, it is not possible to guarantee its data integrity before running BIST.

### 8.4.2 TPS389006-Q1 Power ON

When the TPS389006-Q1 is powered ON, BIST is optionally executed (depending on `TEST_CFG.AT_POR` register bit); I<sup>2</sup>C and fault reporting (through NIRQ) become active as soon as BIST is completed and configuration is loaded from OTP (assisted by ECC, supporting SEC-DED).

The details of the configuration load ECC and BIST results are reported in `TEST_INFO` register.

Upon detection of the ACT rising edge, the TPS389006-Q1 starts the sequence timeout timer and the monitoring of the power ON sequence. `SLEEP` is ignored until ACT is High and the sequence timeout has expired. The TPS389006-Q1 will then act on `SLEEP` transitions to monitor/record Sleep Entry/Exit sequences.

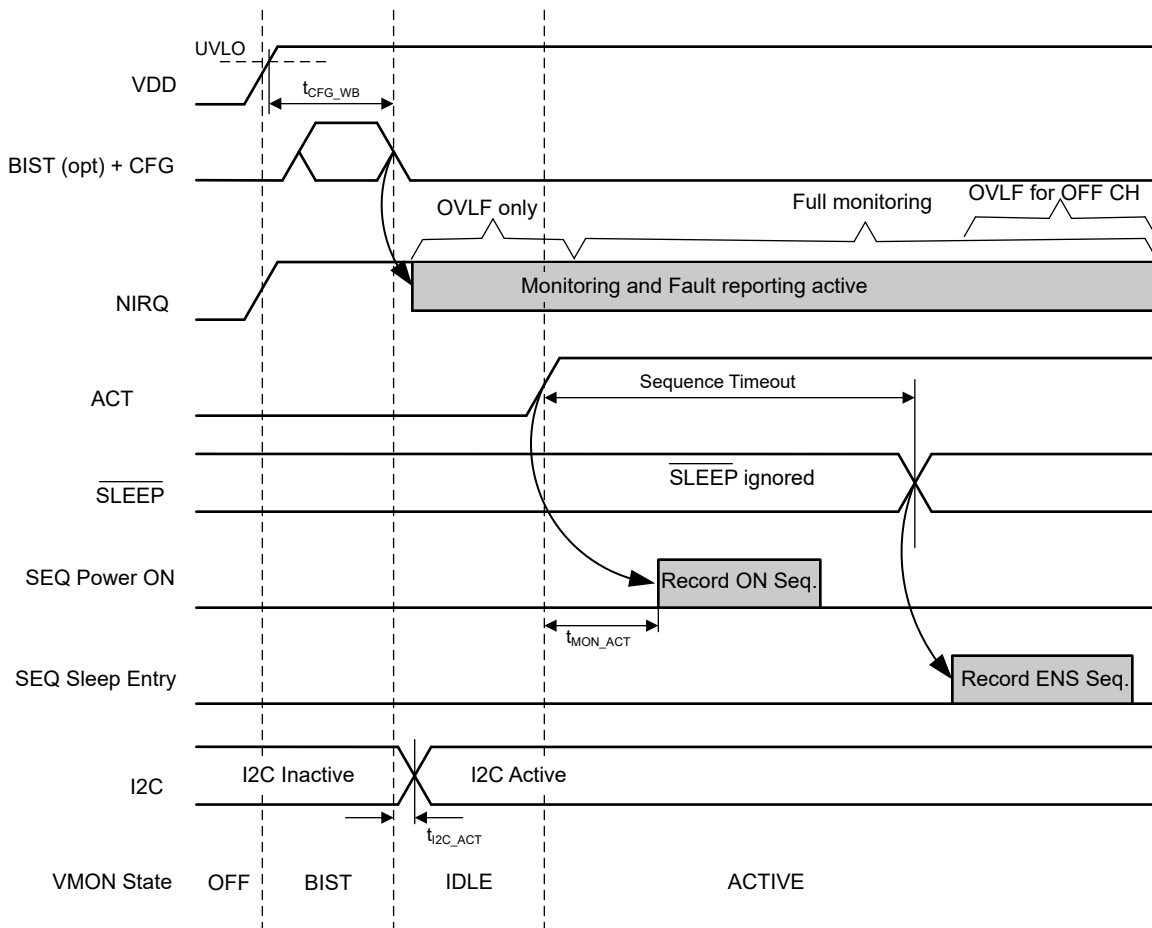


图 8-7. TPS389006-Q1 Power ON Signaling and Internal States

BIST completion can be detected through interrupt or register polling:

- Interrupt: `INT_TEST.I_BIST_C` flag is set and NIRQ is asserted if `IEN_TEST.BIST_C=1`
- Polling: `VMON_STAT` register can be polled to read the `ST_BIST_C` bit

### 8.4.3 General Monitoring

TPS389006-Q1 has multiple monitoring modes including IDLE, ACTIVE, SLEEP, and DEEP SLEEP. These modes refer to the monitoring states of the device shown in 表 8-3.

### 8.4.3.1 IDLE Monitoring

The TPS389006-Q1 is in IDLE state when ACT is Low and BIST is completed.

In this state, all monitored channels are expected to be in the OFF state (below the OFF threshold).

For the enabled channels in OFF state, only the Over-voltage Low Frequency (OVLF) thresholds are monitored to ensure the reliability limits are not violated.

### 8.4.3.2 ACTIVE Monitoring

The TPS389006-Q1 is in ACTIVE state when ACT is High.

VMON monitors high frequency channel levels (copparator sense path) and low frequency channel levels (ADC sense path) against Under-Voltage High Frequency (UVHF), Over-Voltage High Frequency (OVHF), Under-Voltage Low Frequency (UVLF), and Over-Voltage Low Frequency (OVLF) thresholds.

Some channels can be connected to rails which are controlled by user software. Such channels can be in the OFF state (below the OFF threshold) when the TPS389006-Q1 is in an ACTIVE state, and have the UVLF/UVHF interrupts normally disabled. Once these rails are turned ON, the TPS389006-Q1 host enables the channels UVLF/UVHF interrupts to allow full monitoring. Similarly, before these rails are turned OFF, the TPS389006-Q1 host disables the channels UVLF/UVHF interrupts to avoid false UV violations during the ramp down. As these channels are not part of the sequencing initiated by ACT or  $\overline{\text{SLEEP}}$ , their UVLF/UVHF/OVHF interrupts cannot be automatically enabled/disabled using the auto-mask registers. While in the OFF state, only the OVLF thresholds are monitored to ensure the reliability limits are not violated.

Other enabled channels can be in OFF state as a result of the  $\overline{\text{SLEEP}}$  1→0 transition sequence. Those channels are identified by the AMSK\_ENS auto-mask register, used to avoid UVLF interrupts (as well as UVHF and OVHF interrupts) during the transition. For those channels in the OFF state and identified by the AMSK\_ENS register, only the OVLF thresholds are monitored to ensure the reliability limits are not violated.

**表 8-3. Modes of Operation Summary**

Mode	Pin/Bit Condition	Iq	Monitored- Triggers NIRQ if CHx enabled	Status only	ADC/Telemetry
ACTIVE	ACT=High, Sleep=High	1.5mA	OVLF, UVLF, OVHF, UVHF	OFF	Enabled
IDLE	ACT=Low, Sleep=X	230uA	OVLF	OFF	Disabled
SLEEP ACT=High, SLEEP=Low Sleep Power bit=1	CHx not assigned to Sleep	1.5mA	OVLF, UVLF, OVHF, UVHF	OFF	Enabled
	CHx assigned to Sleep (AMSK=1)		OVLF	OFF	
	CHx assigned to Sleep (AMSK=0)		OVLF, UVLF, OVHF, UVHF	OFF	
DEEP SLEEP ACT=High, SLEEP=Low Sleep Power bit=0	CHx not assigned to Sleep	330uA	OVHF, UVHF	-	Disabled
	CHx assigned to Sleep (AMSK=1)		No monitoring	-	
	CHx assigned to Sleep (AMSK=0)		OVHF, UVHF	-	

### 8.4.3.3 Sequence Monitoring 1

In addition to voltage monitoring, voltage rails sequences are also monitored on ACT and  $\overline{\text{SLEEP}}$  changes, or on setting SEQ\_REC\_CTL.REC\_START=1.

Sequence Monitoring 1 is a transitional state entered when:

1. ACT transitions 0→1
2.  $\overline{\text{SLEEP}}$  transitions 0→1, if ACT=1
3.  $\overline{\text{SLEEP}}$  transitions 1→0, if ACT=1

#### 4. Host sets SEQ\_REC\_CTL.REC\_START=1

The first three transitions trigger the same set of actions, with the TPS389006-Q1 always ending in the ACTIVE state. However, the registers used to log and check the sequencing information are different.

The fourth method to start sequence monitoring (register bit set by the host) gives the flexibility to the host to decide when and where to track a sequence while the external signals are static. This is useful, for example, when software shutdown is initiated using FORCE\_SHUTDOWN[1:0].

The following sections describe the actions for the first three cases explicitly for clarity.

##### 8.4.3.3.1 ACT Transitions 0→1

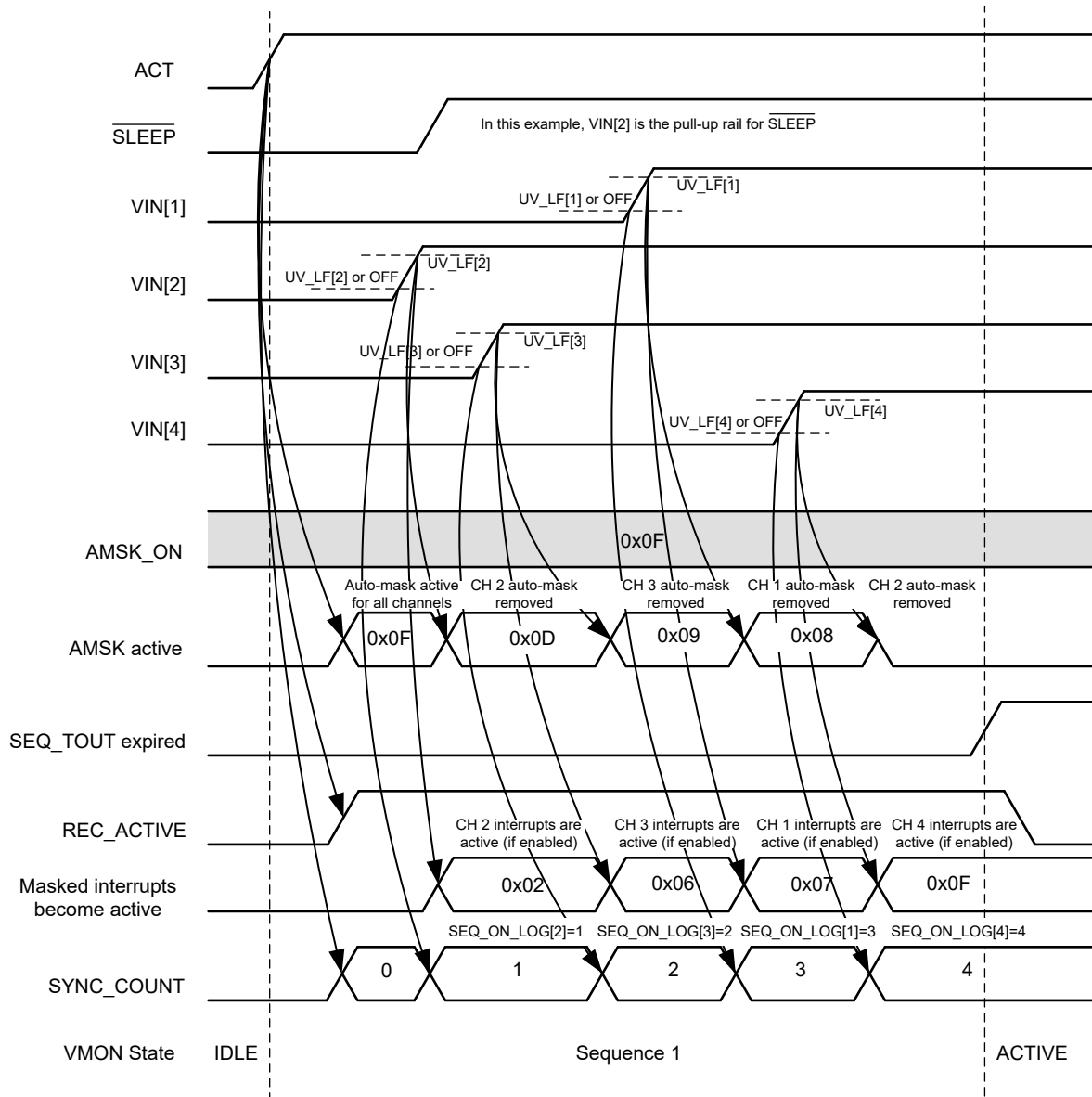


图 8-8. ACT 0→1 Transition

1. The TPS389006-Q1 takes several actions on the ACT 0→1 transition:
  - a. The synchronization counter is reset to 0.
  - b. The REC\_ACTIVE bit is set, and SEQ[1:0] bits are updated to 00b.

- c. If the sequence overwrite bit is enabled (EN\_SEQ\_OW=1), the sequence logging registers (SEQ\_ON\_LOG[N]) are overwritten with new data. If there was data in the registers that was not read by the host (SEQ\_ON\_RDY still set), the sequence overwrite flag (SEQ\_ON\_OW) gets set.
  - d. If the timestamps overwrite bit is enabled (EN\_TS\_OW=1), the timestamp logging registers (SEQ\_TIME\_xSB[N]) are overwritten with new data. If there was data in the registers that was not read by the host (TS\_RDY still set), the timestamp overwrite flag (TS\_OW) is set.
  - e. If the sequence overwrite bit is disabled (EN\_SEQ\_OW=0) and there was data in the registers SEQ\_ON\_LOG[N] that was not read and acknowledged by the host (SEQ\_ON\_RDY still set), the sequence overwrite flag (SEQ\_ON\_OW) is set and does not overwrite the registers with new data.
  - f. If the timestamp overwrite bit is disabled (EN\_TS\_OW=0) and there was data in the registers SEQ\_TIME\_xSB[N] that was not read and acknowledged by the host (TS\_RDY still set), the timestamp overwrite flag (TS\_OW) is set and does not overwrite the registers with new data.
  - g. The internal sequence timer is (re)started.
2. All TPS389006-Q1 inputs selected with auto-mask register AMSK\_ON start with masked (disabled) interrupts for Under-Voltage Low Frequency (UVLF), Under-Voltage High Frequency (UVHF), and Over-Voltage High Frequency (OVHF) conditions.
  3. As each rail passes the UVLF threshold (UV\_LF[N]), automatically (and expected to happen within about 5-10  $\mu$ s) the relevant UV and OV interrupts are unmasked and enabled/disabled according to the IEN\_UVLF, IEN\_UVHF, and IEN\_OVHF registers.
  4. As each rail passes the UVLF or OFF threshold (depending on SEQ\_UP\_THLD.OFF\_UV[N] register setting), the rail is tagged with a counter corresponding to the order of rising edge transition. A timestamp is also logged.
    - a. the tag value stored in the relevant status register SEQ\_ON\_LOG[N] if allowed as per overwrite settings and status. also, the timestamp of the event is stored in registers SEQ\_TIME\_MSB[N] and SEQ\_TIME\_LSB[N] as allowed by the overwrite settings and status.
    - b. the SEQ\_ON\_LOG[N] register is compared to the expected sequence order value defined in register SEQ\_EXP[N], and an interrupt is generated if different and if the relevant interrupt enable bit is set (IEN\_SEQ\_ON). Note that if overwrite settings and recording status do not allow writing new data to the logging registers, then the comparison cannot be performed and no interrupt will be generated.
  5. After a timeout, tagging stops.
    - a. Clear the REC\_ACTIVE bit.
    - b. If rails are up with the correct sequence, TPS389006-Q1 is in ACTIVE state and starts normal monitoring.
    - c. If any rail has a tag not matching the configured value in SEQ\_ON\_EXP[N] register, NIRQ is asserted. The TPS389006-Q1 continues normal monitoring.
    - d. If  $\overline{\text{SLEEP}}$  is low, the TPS389006-Q1 will not start recording the Sleep Entry sequence, as sequence recording is started on ACT and  $\overline{\text{SLEEP}}$  transitions, or when initiated through I<sup>2</sup>C command.

### 8.4.3.3.2 SLEEP Transition 1→0

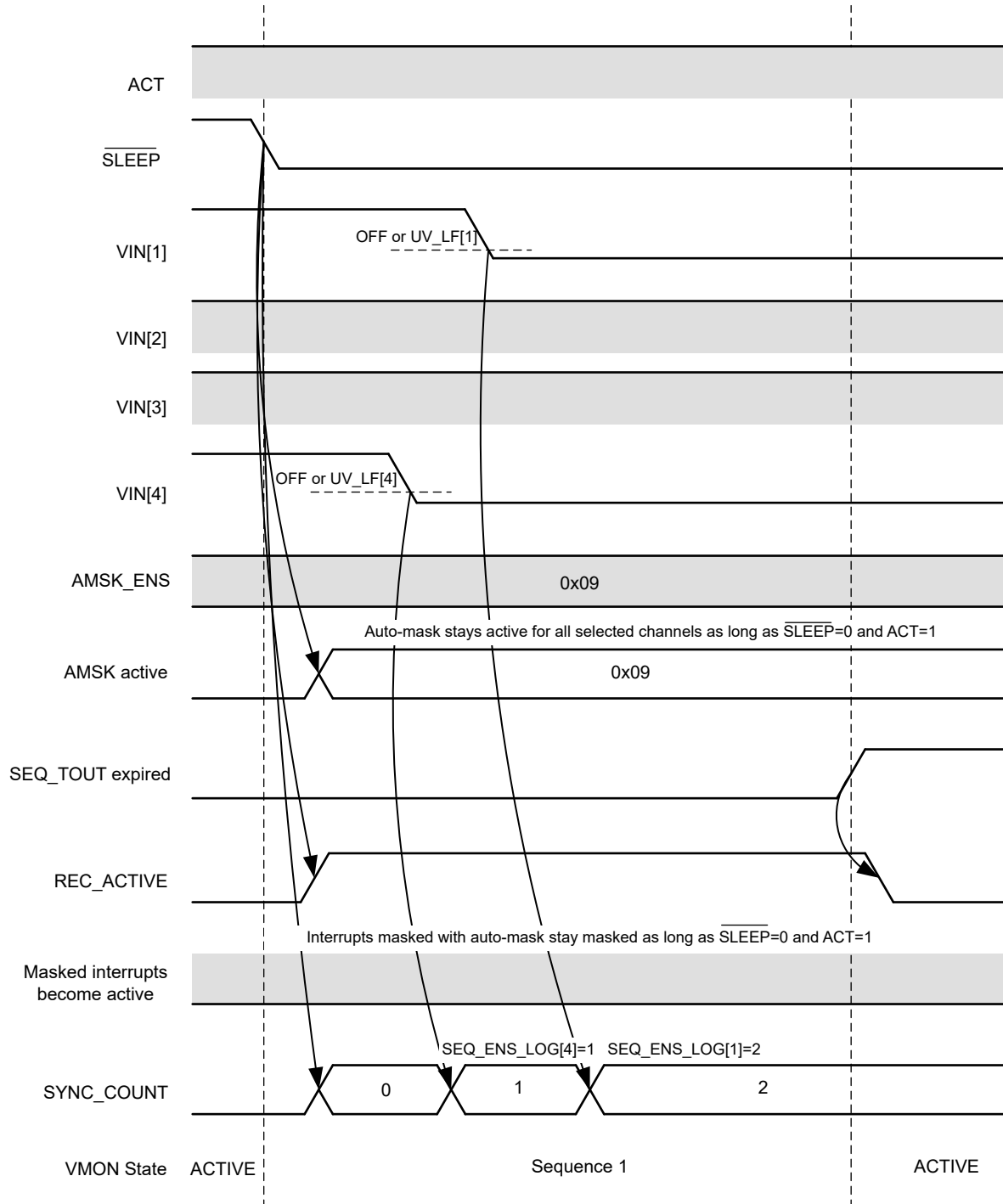


图 8-9. SLEEP 1→0 Transition

1. The TPS389006-Q1 takes several actions on the SLEEP 1→0 transition:
  - a. The synchronization counter is reset to 0.
  - b. The REC\_ACTIVE bit is set, and SEQ[1:0] bits are updated to 11b.
  - c. If the sequence overwrite bit is enabled (EN\_SEQ\_OW=1), the sequence logging registers (SEQ\_ENS\_LOG[N]) are overwritten with new data. If there was data in the registers that was not read by the host (SEQ\_ENS\_RDY still set), the timestamp overwrite flag (TS\_OW) is set.

- d. If the timestamp overwrite bit is enabled (EN\_TS\_OW=1), the timestamp logging registers (SEQ\_TIME\_xSB[N]) are overwritten with new data. If there was data in the registers that was not read by the host (TS\_RDY still set), the timestamp overwrite flag (TS\_OW) is set.
  - e. If the sequence overwrite bit is disabled (EN\_SEQ\_OW=0) and there was data in the registers SEQ\_ENS\_LOG[N] that was not read and acknowledged by the host (SEQ\_ENS\_RDY still set), the sequence overwrite flag (SEQ\_ENS\_OW) is set, and the registers are not overwritten with new data.
  - f. If the timestamp overwrite bit is disabled (EN\_TS\_OW=0) and there was data in the registers SEQ\_TIME\_xSB[N] that was not read and acknowledged by the host (TS\_RDY still set), the timestamp overwrite flag (TS\_OW) is set, and the registers are not overwritten with new data.
  - g. The internal sequence timer is (re)started.
2. Relevant TPS389006-Q1 inputs selected with auto-mask register AMSK\_ENS are set with masked interrupts for UVLF, UVHF and OVHF conditions.
  3. As each rail passes the OFF or UVLF threshold (depending on SEQ\_DN\_THLD.OFF\_UV[N] register setting), the rail is tagged with a counter corresponding to the order of falling edge transition. A timestamp is also logged.
    - a. The tag value is stored in the relevant status register SEQ\_ENS\_LOG[N] if allowed as per overwrite settings and status. Also, the timestamp of the event is stored in registers SEQ\_TIME\_MSB[N] and SEQ\_TIME\_LSB[N] as allowed by the overwrite settings and status.
    - b. The SEQ\_ENS\_LOG[N] register is compared to the expected sequence order value defined in register SEQ\_ENS\_EXP[N], and an interrupt is generated if different and if the relevant interrupt enable bit is set (IEN\_SEQ\_ENS). Note that if overwrite settings and recording status do not allow writing new data to the logging registers, then the comparison cannot be performed and no interrupt will be generated.
  4. After timeout, tagging stops.
    - a. The REC\_ACTIVE bit is cleared.
    - b. If rails are down with the correct sequence, TPS389006-Q1 is in ACTIVE state and continues normal monitoring (only OVLF thresholds are monitored for enabled channels in OFF state).



### 8.4.3.3.3 SLEEP Transition 0→1

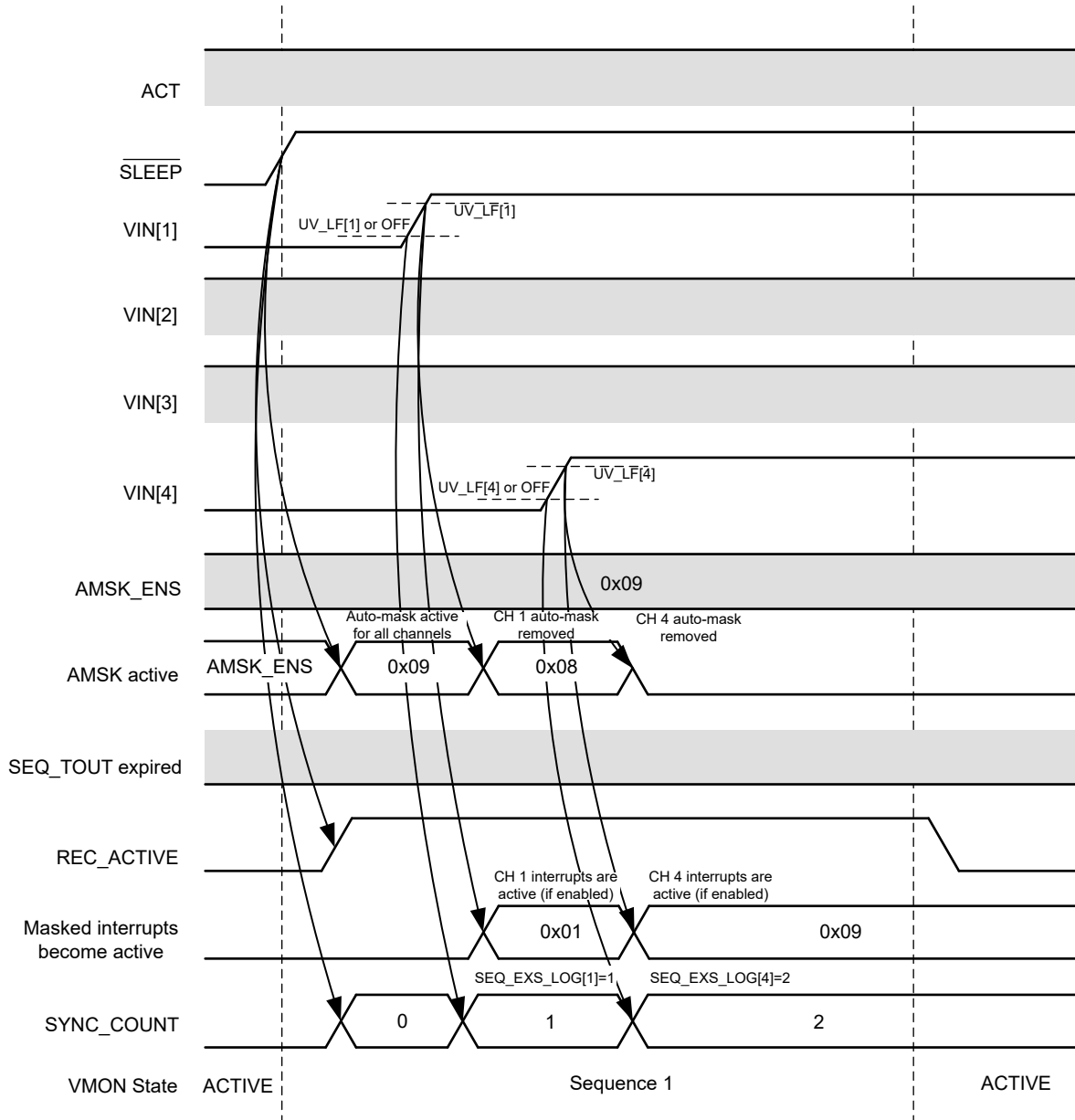


图 8-10. SLEEP 0→1 Transition

1. The TPS389006-Q1 takes several actions on the  $\overline{\text{SLEEP}}$  0→1 transition:
  - a. The synchronization counter is reset to 0.
  - b. The REC\_ACTIVE bit is set, and SEQ[1:0] bits are updated to 10b.
  - c. If the sequence overwrite bit is enabled (EN\_SEQ\_OW=1), the sequence logging registers (SEQ\_EXS\_LOG[N]) are overwritten with new data. If there was data in the registers that was not read by the host (SEQ\_EXS\_RDY still set), the sequence overwrite flag (SEQ\_EXS\_OW) is set.
  - d. If the timestamp overwrite bit is enabled (EN\_TS\_OW=1), the timestamp logging registers (SEQ\_TIME\_xSB[N]) are overwritten with new data. If there was data in the registers that was not read by the host (TS\_RDY still set), the timestamp overwrite flag (TS\_OW) is set.
  - e. If the sequence overwrite bit is disabled (EN\_SEQ\_OW=0) and there was data in the registers SEQ\_EXS\_LOG[N] that was not read and acknowledged by the host (SEQ\_EXS\_RDY still set), the sequence overwrite flag (SEQ\_EXS\_OW) is set, and the registers are not overwritten with new data.

- f. If the timestamp overwrite bit is disabled (EN\_TS\_OW=0) and there was data in the registers SEQ\_TIME\_xSB[N] that was not read and acknowledged by the host (TS\_RDY still set), the timestamp overwrite flag (TS\_OW) is set, and the registers are not overwritten with new data.
- g. The internal sequence timer is (re)started.
2. Relevant TPS389006-Q1 inputs selected with auto-mask register AMSK\_EXS are set with masked (disabled) interrupts for UVLF, UVHF, and OVHF conditions.
3. As each rail passes the UVLF threshold (UV\_LF[N]), automatically (and expected to happen within about 5-10  $\mu$ s) the relevant UV and OV interrupts are unmasked and enabled/disabled according to the IEN\_UVLF, IEN\_UVHF, and IEN\_OVHF registers.
4. As each rail passes the UVLF or OFF threshold (depending on SEQ\_UP\_THLD.OFF\_UV[N] register setting), the rail is tagged with a counter corresponding to the order of rising edge transition. A timestamp is also logged.
  - a. The tag value is stored in the relevant status register SEQ\_EXS\_LOG[N] if allowed as per overwrite settings and status. Also, the timestamp of the event is stored in registers SEQ\_TIME\_MSB[N] and SEQ\_TIME\_LSB[N] as allowed by the overwrite settings and status.
  - b. The SEQ\_EXS\_LOG[N] register is compared to the expected sequence order value defined in register SEQ\_EXS\_EXP[N], and an interrupt is generated if different and if relevant interrupt enable bit is set (IEN\_SEQ\_EXS). Note that if overwrite settings and recording status do not allow writing new data to the logging registers, then the comparison cannot be performed and no interrupt will be generated.
5. After a timeout, tagging stops.
  - a. The REC\_ACTIVE bit is cleared.
  - b. If rails are up with the correct sequence, TPS389006-Q1 is in ACTIVE state and starts normal monitoring.
  - c. If any rail has a tag not matching the configured value in SEQ\_EXS\_EXP[N] register, NIRQ is asserted. TPS389006-Q1 continues normal monitoring.

#### 8.4.3.4 Sequence Monitoring 2

Sequence Monitoring 2 is very similar to Sequence Monitoring 1, however, an extra step is taken when exiting this transitioning state depending on the TEST\_CFG.AT\_SHDN register bit.

Sequence Monitoring 2 is entered when ACT transitions 1→0. The actions taken are described in [节 8.4.3.4.1](#).

#### 8.4.3.4.1 ACT Transition 1→0

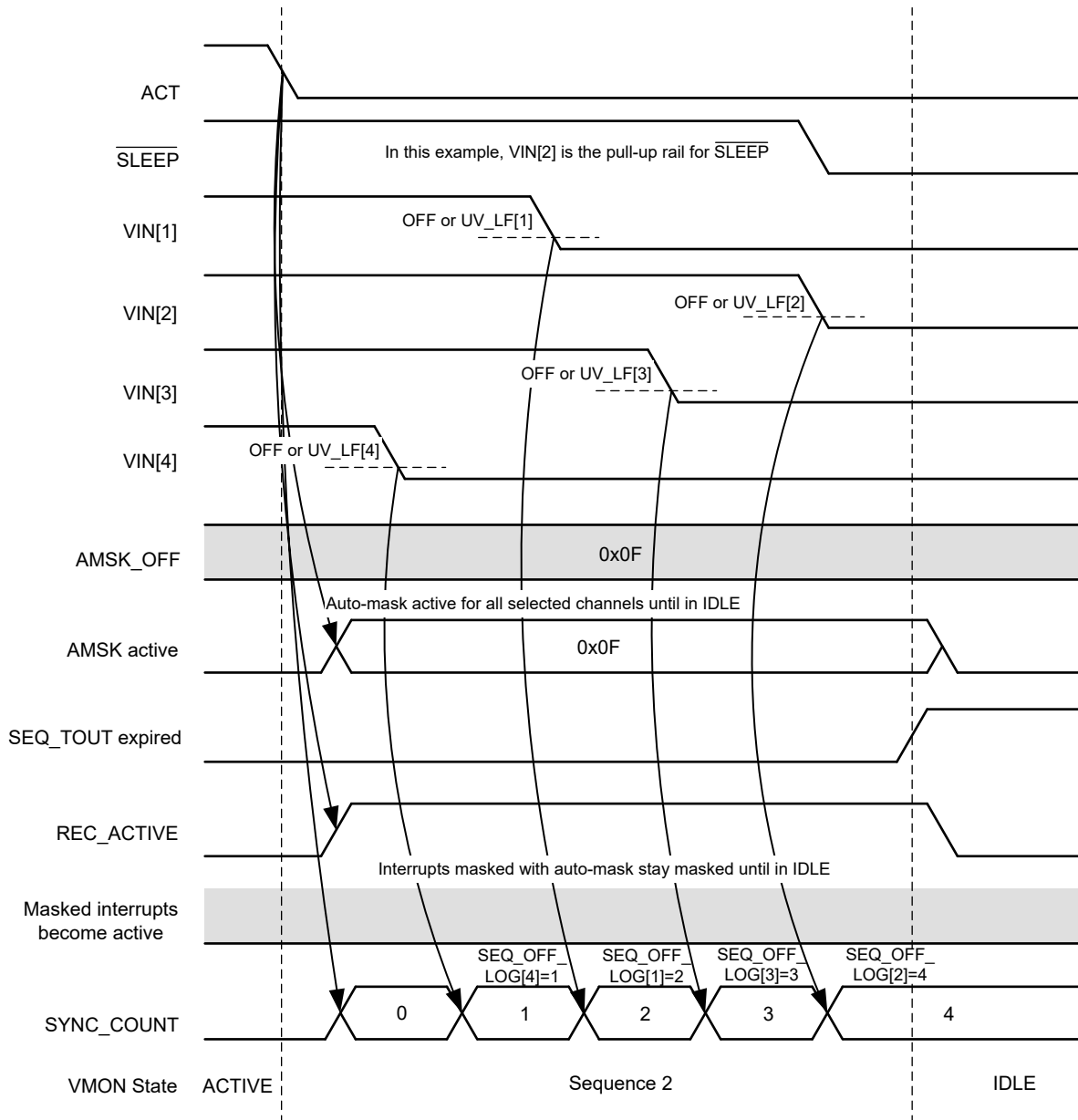


图 8-11. ACT 1→0 Transition

1. The TPS389006-Q1 takes several actions on the ACT 1→0 transition:
  - a. The synchronization counter is reset to 0.
  - b. The REC\_ACTIVE bit is set, and SEQ[1:0] bits are updated to 01b.
  - c. If the sequence overwrite bit is enabled (EN\_SEQ\_OW=1), the sequence logging registers (SEQ\_OFF\_LOG[N]) are overwritten with new data. If there was data in the registers that was not read by the host (SEQ\_OFF\_RDY still set), the sequence overwrite flag (SEQ\_OFF\_OW) is set.
  - d. If the timestamp overwrite bit is enabled (EN\_TS\_OW=1), the timestamp logging registers (SEQ\_TIME\_xSB[N]) are overwritten with new data. If there was data in the registers that was not read by the host (TS\_RDY still set), the timestamp overwrite flag (TS\_OW) is set.
  - e. If the sequence overwrite bit is disabled (EN\_SEQ\_OW=0) and there was data in the registers SEQ\_OFF\_LOG[N] that was not read and acknowledged by the host (SEQ\_OFF\_RDY still set), the sequence overwrite flag (SEQ\_OFF\_OW) is set, and the registers are not overwritten with new data.

- f. If the timestamp overwrite bit is disabled (EN\_TS\_OW=0) and there was data in the registers SEQ\_TIME\_xSB[N] that was not read and acknowledged by the host (TS\_RDY still set), the timestamp overwrite flag (TS\_OW) is set, and the registers are not overwritten with new data.
    - g. The internal sequence timer is (re)started.
  2. All TPS389006-Q1 inputs selected with auto-mask register AMSK\_OFF are set with masked (disabled) interrupts for UVLF, UVHF, and OVHF conditions.
  3. As each rail passes the OFF or UVLF threshold (depending on SEQ\_DN\_THLD.OFF\_UV[N] register setting), the rail is tagged with a counter corresponding to the order of falling edge transition. A timestamp is also logged.
    - a. The tag value is stored in the relevant status register SEQ\_OFF\_LOG[N] if allowed as per overwrite settings and status. Also, the timestamp of the event is stored in registers SEQ\_TIME\_MSB[N] and SEQ\_TIME\_LSB[N] as allowed by the overwrite settings and status.
    - b. The SEQ\_OFF\_LOG[N] register is compared to the expected sequence order value defined in register SEQ\_OFF\_EXP[N], and an interrupt is generated if different and if relevant interrupt enable bit is set (IEN\_SEQ\_OFF). Note that if overwrite settings and recording status do not allow writing new data to the logging registers, then the comparison cannot be performed and no interrupt will be generated.
  4. After timeout, tagging stops.
    - a. The REC\_ACTIVE bit is cleared.
    - b. If rails are down with the correct sequence, proceed to check TEST\_CFG.AT\_SHDN register bit.
    - c. If any rail has a tag not matching the configured value in SEQ\_OFF\_EXP[N] register, NIRQ is asserted. TPS389006-Q1 proceeds to check TEST\_CFG.AT\_SHDN register bit.
  5. If TEST\_CFG.AT\_SHDN register bit is set, BIST is executed (next state depends on BIST results).
  6. If TEST\_CFG.AT\_SHDN register bit is no set, the TPS389006-Q1 enters IDLE state.

## 8.5 Register Maps

The register map is designed to support up to 16 channels through register banks, with the following organization:

- [Bank 0 - Status Register Set Summary:](#)
  - Vendor info and usage registers (bank independent)
  - Interrupt registers
  - Status registers
  - Bank selection register (bank independent)
  - Protection registers (bank independent)
  - Device configuration registers (bank independent)
- [Bank 1 - Channel 1-8 Configuration Register Set Summary:](#)
  - Vendor info and usage registers (bank independent)
  - Control registers (device global registers)
  - Monitor configuration registers (channel specific registers)
  - Sequence configuration registers (both device global and channel specific registers)
  - Bank selection register (bank independent)
  - Protection registers (bank independent)
  - Device configuration registers (bank independent)

Bank independent registers are accessible at the same address irrespective of the current bank selection. Access to other registers requires the proper bank being selected.

All registers are 8-bit wide, and are loaded at boot with the default value described here or with the OTP value programmed at the factory.

Unused registers addresses are reserved for future use and support up to 16 channels.

Write accesses to protected registers (see PROT1/2 details), invalid registers, or valid registers with invalid data, should be NACK'd.

## 8.5.1 BANK0 Registers

表 8-4 lists the memory-mapped registers for the BANK0 registers. All register offset addresses not listed in 表 8-4 should be considered as reserved locations and the register contents should not be modified.

表 8-4. BANK0 Registers

Address	Acronym	Bit 7	Bit 6	Bit 5	Bit 4	Bit 3	Bit 2	Bit 1	Bit 0
0x10	INT_SRC	F_OTHER	RSVD				TEST	CONTROL	MONITOR
0x11	INT_MONITOR	SEQ_ON	SEQ_OFF	SEQ_EXS	SEQ_ENS	OV_LF	OV_HF	UV_LF	UV_HF
0x12	INT_UVHF	RSVD			UVHF[N]				
0x14	INT_UVLF	RSVD			UVLF[N]				
0x16	INT_OVHF	RSVD			OVHF[N]				
0x18	INT_OVLF	RSVD			OVLF[N]				
0x1A	INT_SEQ_ON	RSVD			F_SEQ_ON[N]				
0x1C	INT_SEQ_OFF	RSVD			F_SEQ_OFF[N]				
0x1E	INT_SEQ_EXS	RSVD			F_SEQ_EXS[N]				
0x20	INT_SEQ_ENS	RSVD			F_SEQ_ENS[N]				
0x22	INT_CONTROL	RSVD			F_CRC	F_NIRQ	F_TSD	F_SYNC	F_PEC
0x23	INT_TEST	RSVD				ECC_SE	ECC_DE	I_BIST_C	BIST
0x24	INT_VENDOR	LDO_OV_Error		Freq_DEV_Error		SHORT_DET	OPEN_DET	RSVD	
0x30	VMON_STAT	FAILSAFE	ST_BIDT_C	ST_VDD	ST_NIRQ	ST_ACTS_LP	ST_ACTS_HDN	ST_SYNC	RSVD
0x31	TEST_INFO	RSVD		ECC_SE	ECC_DE	BIST_VM	BIST_NV	BIST_L	BIST_A
0x32	OFF_STAT	RSVD			VIN[N]				
0x34	SEQ_REC_STAT	REC_ACTIVE	SEQ		TS_RDY	SEQ_ON_RDY	SEQ_OFF_RDY	SEQ_EXS_RDY	SEQ_ENS_RDY
0x35	SEQ_OW_STAT	RSVD			TS_OW	SEQ_ON_OW	SEQ_OFF_OW	SEQ_EXS_OW	SEQ_ENS_OW
0x36	SEQ_ORD_STAT	SYNC_COUNT[7:0]							
0x40	MON_LVL[1]	ADC[7:0]							
0x41	MON_LVL[2]	ADC[7:0]							
0x42	MON_LVL[3]	ADC[7:0]							
0x43	MON_LVL[4]	ADC[7:0]							
0x44	MON_LVL[5]	ADC[7:0]							
0x45	MON_LVL[6]	ADC[7:0]							
0x50	SEQ_ON_LOG[1]	ORDER[7:0]							
0x51	SEQ_ON_LOG[2]	ORDER[7:0]							
0x52	SEQ_ON_LOG[3]	ORDER[7:0]							
0x53	SEQ_ON_LOG[4]	ORDER[7:0]							
0x54	SEQ_ON_LOG[5]	ORDER[7:0]							
0x55	SEQ_ON_LOG[6]	ORDER[7:0]							
0x60	SEQ_OFF_LOG[1]	ORDER[7:0]							
0x61	SEQ_OFF_LOG[2]	ORDER[7:0]							
0x62	SEQ_OFF_LOG[3]	ORDER[7:0]							
0x63	SEQ_OFF_LOG[4]	ORDER[7:0]							
0x64	SEQ_OFF_LOG[5]	ORDER[7:0]							

**表 8-4. BANK0 Registers (continued)**

Address	Acronym	Bit 7	Bit 6	Bit 5	Bit 4	Bit 3	Bit 2	Bit 1	Bit 0	
0x65	SEQ_OFF_LOG[6]	ORDER[7:0]								
0x70	SEQ_EXS_LOG[1]	ORDER[7:0]								
0x71	SEQ_EXS_LOG[2]	ORDER[7:0]								
0x72	SEQ_EXS_LOG[3]	ORDER[7:0]								
0x73	SEQ_EXS_LOG[4]	ORDER[7:0]								
0x74	SEQ_EXS_LOG[5]	ORDER[7:0]								
0x75	SEQ_EXS_LOG[6]	ORDER[7:0]								
0x80	SEQ_ENS_LOG[1]	ORDER[7:0]								
0x81	SEQ_ENS_LOG[2]	ORDER[7:0]								
0x82	SEQ_ENS_LOG[3]	ORDER[7:0]								
0x83	SEQ_ENS_LOG[4]	ORDER[7:0]								
0x84	SEQ_ENS_LOG[5]	ORDER[7:0]								
0x85	SEQ_ENS_LOG[6]	ORDER[7:0]								
0x90	SEQ_TIME_MSB[1]	CLOCK[7:0]								
0x91	SEQ_TIME_LSB[1]	CLOCK[7:0]								
0x92	SEQ_TIME_MSB[2]	CLOCK[7:0]								
0x93	SEQ_TIME_LSB[2]	CLOCK[7:0]								
0x94	SEQ_TIME_MSB[3]	CLOCK[7:0]								
0x95	SEQ_TIME_LSB[3]	CLOCK[7:0]								
0x96	SEQ_TIME_MSB[4]	CLOCK[7:0]								
0x97	SEQ_TIME_LSB[4]	CLOCK[7:0]								
0x98	SEQ_TIME_MSB[5]	CLOCK[7:0]								
0x99	SEQ_TIME_LSB[5]	CLOCK[7:0]								
0x9A	SEQ_TIME_MSB[6]	CLOCK[7:0]								
0x9B	SEQ_TIME_LSB[6]	CLOCK[7:0]								
0xF0	BANK_SEL	RSVD						BANK_SE LECT	BANK	
0xF1	PROT1	RSVD	WRKC	WRKS	CFG	IEN	MON	SEQ		
0xF2	PROT2	RSVD	WRKC	WRKS	CFG	IEN	MON	SEQ		
0xF3	PROT_MON2	RSVD	MON[N]							
0xF9	I2CADDR	RSVD	ADDR_NVM[3:0]			ADDR_STRAP[2:0]				
0xFA	DEV_CFG	RSVD							SOC_IF	

Complex bit access types are encoded to fit into small table cells. 表 8-5 shows the codes that are used for access types in this section.

**表 8-5. BANK0 Access Type Codes**

Access Type	Code	Description
<b>Read Type</b>		
R	R	Read
<b>Write Type</b>		
W	W	Write
W1C	W 1C	Write 1 to clear
<b>Reset or Default Value</b>		

表 8-5. BANK0 Access Type Codes (continued)

Access Type	Code	Description
-n		Value after reset or the default value

### 8.5.1.1 INT\_SRC Register (Address = 0x10) [Default = X]

INT\_SRC is shown in 表 8-6.

Return to the [Summary Table](#).

Global Interrupt Source Status register. This register contains fault interrupts on UV/OV HF/LF interrupts and internal fault interrupt and other interrupt. INT\_SRC represents the reason why NIRQ was asserted. When the host processor receives NIRQ, the processor can read this register to quickly determine the source of the interrupt. If this register is clear, then TPS389006-Q1 did not assert NIRQ.

表 8-6. INT\_SRC Register Field Descriptions

Bit	Field	Type	Default	Description
7	F_OTHER	R	X	Vendor specific internal fault. Details reported in INT_F_OTHER. This bit represents the ORed value of all bits in INT_F_OTHER. 0b = No fault reported in INT_F_OTHER 1b = Fault reported in INT_F_OTHER
6:3	RSVD	R	X	RSVD
2	TEST	R	X	Internal test or configuration load fault. Details reported in INT_TEST. Represents ORed value of all bits in INT_TEST. 0b = No test/configuration fault detected 1b = Test/configuration fault detected
1	CONTROL	R	X	Control status or communication fault. Details reported in INT_CONTROL. Represents ORed value of all bits in INT_CONTROL. 0b = No status or communication fault detected 1b = Status or communication fault detected
0	MONITOR	R	X	Voltage or sequence monitor fault. Details reported in INT_MONITOR. Represents ORed value of all bits in INT_MONITOR. 0b = No voltage or sequence fault detected 1b = Voltage or sequence fault detected

### 8.5.1.2 INT\_MONITOR Register (Address = 0x11) [Default = X]

INT\_MONITOR is shown in 表 8-7.

Return to the [Summary Table](#).

Voltage and Sequence Monitor Interrupt Status register. This register contains fault interrupts for sequence entry/exit from act/sleep modes and HF and LF faults.

表 8-7. INT\_MONITOR Register Field Descriptions

Bit	Field	Type	Default	Description
7	SEQ_ON	R	X	Power ON Sequence Fault. Details reported in INT_SEQ_ON. Represents ORed value of all bits in INT_SEQ_ON. A Power ON Sequence fault occurs when the content of SEQ_ON_LOG[N] register does not match the value defined in SEQ_ON_EXP[N] register. 0b = No Power ON Sequence fault detected 1b = Power ON Sequence fault detected



表 8-7. INT\_MONITOR Register Field Descriptions (continued)

Bit	Field	Type	Default	Description
6	SEQ_OFF	R	X	Power OFF Sequence Fault. Details reported in INT_SEQ_OFF. Represents ORed value of all bits in INT_SEQ_OFF. A Power OFF Sequence fault occurs when the content of SEQ_OFF_LOG[N] register does not match the value defined in SEQ_OFF_EXP[N] register. 0b = No Power OFF Sequence fault detected 1b = Power OFF Sequence fault detected
5	SEQ_EXS	R	X	Exit Sleep Sequence Fault. Details reported in INT_SEQ_EXS. Represents ORed value of all bits in INT_SEQ_EXS. An Exit Sleep Sequence fault occurs when the content of SEQ_EXS_LOG[N] register does not match the value defined in SEQ_EXS_EXP[N] register. 0b = No Exit Sleep Sequence fault detected 1b = Exit Sleep Sequence fault detected
4	SEQ_ENS	R	X	Entry Sleep Sequence Fault. Details reported in INT_SEQ_ENS. Represents ORed value of all bits in INT_SEQ_ENS. An Entry Sleep Sequence fault occurs when the content of SEQ_ENS_LOG[N] register does not match the value defined in SEQ_ENS_EXP[N] register. 0b = No Entry Sleep Sequence fault detected 1b = Entry Sleep Sequence fault detected
3	OV_LF	R	X	Over-Voltage Low Frequency Fault. Details reported in INT_OVLF. Represents ORed value of all bits in INT_OVLF. 0b = No OVLF fault detected 1b = OVLF fault detected
2	OV_HF	R	X	Over-Voltage High Frequency Fault. Details reported in INT_OVHF. Represents ORed value of all bits in INT_OVHF. 0b = No OVHF fault detected 1b = OVHF fault detected
1	UV_LF	R	X	Under-Voltage Low Frequency Fault. Details reported in INT_UVLF. Represents ORed value of all bits in INT_UVLF. 0b = No UVLF fault detected 1b = UVLF fault detected
0	UV_HF	R	X	Under-Voltage High Frequency Fault. Details reported in INT_UVHF. Represents ORed value of all bits in INT_UVHF. 0b = No UVHF fault detected 1b = UVHF fault detected

### 8.5.1.3 INT\_UVHF Register (Address = 0x12) [Default = X]

INT\_UVHF is shown in 表 8-8.

Return to the [Summary Table](#).

High Frequency channel Under-Voltage Interrupt Status register. This register contains information on which channel had a UV HF fault.

表 8-8. INT\_UVHF Register Field Descriptions

Bit	Field	Type	Default	Description
7:6	RSVD	R/W1C	X	RSVD

表 8-8. INT\_UVHF Register Field Descriptions (continued)

Bit	Field	Type	Default	Description
5:0	UVHF[N]	R/W1C	X	Under-Voltage High Frequency Fault for channel N (1 through 6). Trips if channel N High Frequency signal goes below UV_HF[N]. The recovery of the fault condition does NOT clear the bit. It can only be cleared by the host with a write-1-to-clear. Write-1-to-clear will clear the bit only if the UVHF fault condition is also removed (channel N High Frequency signal is above UV_HF[N]). 0b = Channel N has no UVHF fault detected (or interrupt disabled in IEN_UVHF register) 1b = Channel N has UVHF fault detected

#### 8.5.1.4 INT\_UVLF Register (Address = 0x14) [Default = X]

INT\_UVLF is shown in 表 8-9.

Return to the [Summary Table](#).

Low Frequency channel Under-Voltage Interrupt Status register. This register contains information on which channel had a UV LF fault.

表 8-9. INT\_UVLF Register Field Descriptions

Bit	Field	Type	Default	Description
7:6	RSVD	R/W1C	X	RSVD
5:0	UVLF[N]	R/W1C	X	Under-Voltage Low Frequency Fault for channel N (1 through 6). Trips if channel N Low Frequency signal goes below UV_LF[N]. The recovery of the fault condition does NOT clear the bit. It can only be cleared by the host with a write-1-to-clear. Write-1-to-clear will clear the bit only if the UVLF fault condition is also removed (channel N Low Frequency signal is above UV_LF[N]). 0b = Channel N has no UVLF fault detected (or interrupt disabled in IEN_UVLF register) 1b = Channel N has UVLF fault detected

#### 8.5.1.5 INT\_OVHF Register (Address = 0x16) [Default = X]

INT\_OVHF is shown in 表 8-10.

Return to the [Summary Table](#).

High Frequency channel Over-Voltage Interrupt Status register. This register contains information on which channel had an OV HF fault.

表 8-10. INT\_OVHF Register Field Descriptions

Bit	Field	Type	Default	Description
7:6	RSVD	R/W1C	X	RSVD

**表 8-10. INT\_OVHF Register Field Descriptions (continued)**

Bit	Field	Type	Default	Description
5:0	OVHF[N]	R/W1C	X	Over-Voltage High Frequency Fault for channel N (1 through 6). Trips if channel N High Frequency signal goes above OV_HF[N]. The recovery of the fault condition does NOT clear the bit. It can only be cleared by the host with a write-1-to-clear. Write-1-to-clear will clear the bit only if the OVHF fault condition is also removed (channel N High Frequency signal is below OV_HF[N]). 0b = Channel N has noOVHF fault detected (or interrupt disabled in IEN_OVHF register) 1b = Channel N has OVHF fault detected

#### 8.5.1.6 INT\_OVLF Register (Address = 0x18) [Default = X]

INT\_OVLF is shown in [表 8-11](#).

Return to the [Summary Table](#).

Low Frequency channel Over-Voltage Interrupt Status register. This register contains information on which channel had an OV LF fault.

**表 8-11. INT\_OVLF Register Field Descriptions**

Bit	Field	Type	Default	Description
7:6	RSVD	R/W1C	X	RSVD
5:0	OVLF[N]	R/W1C	X	Over-Voltage Low Frequency Fault for channel N (1 through 6). Trips if channel N Low Frequency signal goes above OV_LF[N]. The recovery of the fault condition does NOT clear the bit. It can only be cleared by the host with a write-1-to-clear. Write-1-to-clear will clear the bit only if the OVLF fault condition is also removed (channel N Low Frequency signal is below OV_LF[N]). 0b = Channel N has no OVLF fault detected (or interrupt disabled in IEN_OVLF register) 1b = Channel N has OVLF fault detected

#### 8.5.1.7 INT\_SEQ\_ON Register (Address = 0x1A) [Default = X]

INT\_SEQ\_ON is shown in [表 8-12](#).

Return to the [Summary Table](#).

Power ON Sequence (ACT/ SLEEP 0 to 1) Interrupt Status register. This register contains information on which channel did not follow on sequence.

**表 8-12. INT\_SEQ\_ON Register Field Descriptions**

Bit	Field	Type	Default	Description
7:6	RSVD	R/W1C	X	RSVD

表 8-12. INT\_SEQ\_ON Register Field Descriptions (continued)

Bit	Field	Type	Default	Description
5:0	F_SEQ_ON[N]	R/W1C	X	<p>Power ON Sequence Fault for channel N (1 through 6). Trips if channel N recorded Power ON Sequence counter in SEQ_ON_LOG[N] register does not match the value defined in SEQ_ON_EXP[N] register.</p> <p>The recovery of the fault condition does NOT clear the bit. It can only be cleared by the host with a write-1-to-clear.</p> <p>Write-1-to-clear will clear the bit.</p> <p>The bit will be set again during next sequence if the same fault is detected.</p> <p>0b = Channel N has no Power ON Sequence fault detected (or interrupt disabled in IEN_SEQ_ON register) 1b = Channel N has Power ON Sequence fault detected</p>

### 8.5.1.8 INT\_SEQ\_OFF Register (Address = 0x1C) [Default = X]

INT\_SEQ\_OFF is shown in 表 8-13.

Return to the [Summary Table](#).

Power OFF Sequence (ACT/  $\overline{\text{SLEEP}}$  1 to 0) Interrupt Status register. This register contains information on which channel did not follow off sequence.

表 8-13. INT\_SEQ\_OFF Register Field Descriptions

Bit	Field	Type	Default	Description
7:6	RSVD	R/W1C	X	RSVD
5:0	F_SEQ_OFF[N]	R/W1C	X	<p>Power OFF Sequence Fault for channel N (1 through 6). Trips if channel N recorded Power OFF Sequence counter in SEQ_OFF_LOG[N] register does not match the value defined in SEQ_OFF_EXP[N] register.</p> <p>The recovery of the fault condition does NOT clear the bit. It can only be cleared by the host with a write-1-to-clear.</p> <p>Write-1-to-clear will clear the bit.</p> <p>The bit will be set again during next sequence if the same fault is detected.</p> <p>0b = Channel N has no Power OFF Sequence fault detected (or interrupt disabled in IEN_SEQ_OFF register) 1b = Channel N has Power OFF Sequence fault detected</p>

### 8.5.1.9 INT\_SEQ\_EXS Register (Address = 0x1E) [Default = X]

INT\_SEQ\_EXS is shown in 表 8-14.

Return to the [Summary Table](#).

Exit Sleep Sequence (ACT/  $\overline{\text{SLEEP}}$  0 to 1) Interrupt Status register. This register contains information on which channel did not follow sleep exit sequence.

表 8-14. INT\_SEQ\_EXS Register Field Descriptions

Bit	Field	Type	Default	Description
7:6	RSVD	R/W1C	X	RSVD

**表 8-14. INT\_SEQ\_EXS Register Field Descriptions (continued)**

Bit	Field	Type	Default	Description
5:0	F_SEQ_EXS[N]	R/W1C	X	Exit Sleep Sequence Fault for channel N (1 through 6). Trips if channel N recorded Exit Sleep Sequence counter in SEQ_EXS_LOG[N] register does not match the value defined in SEQ_EXS_EXP[N] register. The recovery of the fault condition does NOT clear the bit. It can only be cleared by the host with a write-1-to-clear. Write-1-to-clear will clear the bit. The bit will be set again during next sequence if the same fault is detected. 0b = Channel N has no Exit Sleep Sequence fault detected (or interrupt disabled in IEN_SEQ_EXS register) 1b = Channel N has Exit Sleep Sequence fault detected

#### 8.5.1.10 INT\_SEQ\_ENS Register (Address = 0x20) [Default = X]

INT\_SEQ\_ENS is shown in [表 8-15](#).

Return to the [Summary Table](#).

Entry Sleep Sequence (SLEEP 1 to 0) Interrupt Status register. This register contains information on which channel did not follow sleep entry sequence.

**表 8-15. INT\_SEQ\_ENS Register Field Descriptions**

Bit	Field	Type	Default	Description
7:6	RSVD	R/W1C	X	RSVD
5:0	F_SEQ_ENS[N]	R/W1C	X	Entry Sleep Sequence Fault for channel N (1 through 6). Trips if channel N recorded Entry Sleep Sequence counter in SEQ_ENS_LOG[N] register does not match the value defined in SEQ_ENS_EXP[N] register. 0b = Channel N has no Entry Sleep Sequence fault detected (or interrupt disabled in IEN_SEQ_ENS register) 1b = Channel N has Entry Sleep Sequence fault detected

#### 8.5.1.11 INT\_CONTROL Register (Address = 0x22) [Default = X]

INT\_CONTROL is shown in [表 8-16](#).

Return to the [Summary Table](#).

Control and Communication Interrupt Status Register.

**表 8-16. INT\_CONTROL Register Field Descriptions**

Bit	Field	Type	Default	Description
7:5	RSVD	R/W1C	X	RSVD
4	F_CRC	R/W1C	X	Runtime register CRC Fault: The recovery of the fault condition does NOT clear the bit. It can only be cleared by the host with a write-1-to-clear. Write-1-to-clear will clear the bit. The bit will be set again during next register CRC check if the same fault is detected. 0b = No fault detected (or IEN_CONTROL.RT_CRC is disabled) 1b = Register CRC fault detected

表 8-16. INT\_CONTROL Register Field Descriptions (continued)

Bit	Field	Type	Default	Description
3	F_NIRQ	R/W1C	X	Interrupt pin fault (fault bit always enabled no enable bit available): The recovery of the fault condition does NOT clear the bit. It can only be cleared by the host with a write-1-to-clear. Write-1-to-clear will clear the bit only if the NIRQ fault condition is also removed. 0b = No fault detected on NIRQ pin 1b = Low resistance path to supply detected on NIRQ pin
2	F_TSD	R/W1C	X	Thermal Shutdown fault: The recovery of the fault condition does NOT clear the bit. It can only be cleared by the host with a write-1-to-clear. Write-1-to-clear will clear the bit only if the TSD fault condition is also removed. 0b = No TSD fault detected (or IEN_CONTROL.TSD is disabled) 1b = TSD fault detected
1	F_SYNC	R/W1C	X	$\overline{\text{SYNC}}$ pin fault: The recovery of the fault condition does NOT clear the bit. It can only be cleared by the host with a write-1-to-clear. Write-1-to-clear will clear the bit only if the $\overline{\text{SYNC}}$ fault condition is also removed. 0b = No fault detected on $\overline{\text{SYNC}}$ pin (or IEN_CONTROL.SYNC is disabled) 1b = Low resistance path to supply detected on $\overline{\text{SYNC}}$ pin
0	F_PEC	R/W1C	X	Packet Error Checking fault: The recovery of the fault condition does NOT clear the bit. It can only be cleared by the host with a write-1-to-clear. Write-1-to-clear will clear the bit. The bit will be set again during next I2C transaction if the same fault is detected.

#### 8.5.1.12 INT\_TEST Register (Address = 0x23) [Default = X]

INT\_TEST is shown in [表 8-17](#).

Return to the [Summary Table](#).

Internal Test and Configuration Load Interrupt Status Register.

表 8-17. INT\_TEST Register Field Descriptions

Bit	Field	Type	Default	Description
7:4	RSVD	R/W1C	X	RSVD
3	ECC_SEC	R/W1C	X	ECC single-error corrected on OTP configuration load: Write-1-to-clear will clear the bit. The bit will be set again during next OTP configuration load if the same fault is detected. 0b = No single-error corrected (or IEN_TEST.ECC_SEC is disabled) 1b = Single-error corrected

**表 8-17. INT\_TEST Register Field Descriptions (continued)**

Bit	Field	Type	Default	Description
2	ECC_DED	R/W1C	X	ECC double-error detected on OTP configuration load: The fault bit is always enabled (there is no associated interrupt enable bit). Write-1-to-clear will clear the bit. The bit will be set again during next OTP configuration load if the same fault is detected. 0b = No double-error detected on OTP load 1b = Double-error detected on OTP load
1	I_BIST_C	R/W1C	X	Indication of Built-In Self-Test complete: Write-1-to-clear will clear the bit. The bit will be set again on completion of next BIST execution. Write-1-to-clear will clear the bit. The bit will be set again on completion of next BIST execution. 0b = BIST not complete (or IEN_TEST.BIST_C is disabled) 1b = BIST complete
0	BIST	R/W1C	X	Built-In Self-Test fault: Write-1-to-clear will clear the bit. The bit will be set again during next BIST execution if the same fault is detected. 0b = No BIST fault detected (or IEN_TEST.BIST is disabled) 1b = BIST fault detected

#### 8.5.1.13 INT\_VENDOR Register (Address = 0x24) [Default = X]

INT\_VENDOR is shown in [表 8-18](#).

Return to the [Summary Table](#).

This register contains various internal faults and ADDR detect pin fault.

**表 8-18. INT\_VENDOR Register Field Descriptions**

Bit	Field	Type	Default	Description
7	RSVD	R/W1C	X	RSVD
6	LDO_OV_Error	R/W1C	X	Internal LDO fault: 0 = No internal LDO fault detected 1 = Internal LDO fault detected Write-1-to-clear will clear the bit.
5	RSVD	R/W1C	X	RSVD
4	Freq_DEV_Error	R/W1C	X	Internal Oscillator fault: 0 = No internal oscillator fault detected 1 = Internal oscillator fault detected Write-1-to-clear will clear the bit.
3	SHORT_DET	R/W1C	X	Address Pin fault: 0 = No address pin fault detected 1 = Address pin fault detected Write-1-to-clear will clear the bit.
2	OPEN_DET	R/W1C	X	Address Pin fault: 0 = No address pin fault detected 1 = Address pin fault detected Write-1-to-clear will clear the bit.
1:0	RSVD	R/W1C	X	RSVD

#### 8.5.1.14 VMON\_STAT Register (Address = 0x30) [Default = X]

VMON\_STAT is shown in [表 8-19](#).

Return to the [Summary Table](#).

Status flags for internal operations and other non critical conditions. Status register showing completion of BIST, whether active or sleep or active/shutdown.

**表 8-19. VMON\_STAT Register Field Descriptions**

Bit	Field	Type	Default	Description
7	FAILSAFE	R	X	Fail Safe state: 0 = Not in Fail Safe state 1 = In Fail Safe state
6	ST_BIDT_C	R	X	Built-In Self-Test state: 0 = BIST not complete 1 = BIST complete
5	ST_VDD	R	X	Current state of VDD pin: 0 = VDD pin is low. 1 = VDD pin is high.
4	ST_NIRQ	R	X	Current state of NIRQ input: 0 = NIRQ pin driven low by system. 1 = NIRQ pin driven high by system.
3	ST_ACTSLP	R	X	Current state of SLEEP input: 0 = SLEEP pin driven low by system. 1 = SLEEP pin driven high by system.
2	ST_ACTSHDN	R	X	Current state of ACT input: 0 = ACT pin driven low by system. 1 = ACT pin driven high by system.
1	ST_SYNC	R	X	Current state of SYNC pin: 0 = SYNC pin is low. 1 = SYNC pin is high.
0	RSVD	R	X	RSVD

#### 8.5.1.15 TEST\_INFO Register (Address = 0x31) [Default = X]

TEST\_INFO is shown in [表 8-20](#).

Return to the [Summary Table](#).

Internal Self-Test and ECC information.

**表 8-20. TEST\_INFO Register Field Descriptions**

Bit	Field	Type	Default	Description
7:6	RSVD	R	X	RSVD
5	ECC_SEC	R	X	Status of ECC single-error correction on OTP configuration load. 0 = no error correction applied 1 = single-error correction applied
4	ECC_DED	R	X	Status of ECC double-error detection on OTP configuration load. 0 = no double-error detected 1 = double-error detected
3	BIST_VM	R	X	Status of Volatile Memory test output from BIST. 0 = Volatile Memory test pass 1 = Volatile Memory test fail
2	BIST_NVM	R	X	Status of Non-Volatile Memory test output from BIST. 0 = Non-Volatile Memory test pass 1 = Non-Volatile Memory test fail
1	BIST_L	R	X	Status of Logic test output from BIST. 0 = Logic test pass 1 = Logic test fail
0	BIST_A	R	X	Status of Analog test output from BIST. 0 = Analog test pass 1 = Analog test fail



### 8.5.1.16 OFF\_STAT Register (Address = 0x32) [Default = X]

OFF\_STAT is shown in [表 8-21](#).

Return to the [Summary Table](#).

Channel OFF status.

**表 8-21. OFF\_STAT Register Field Descriptions**

Bit	Field	Type	Default	Description
7:6	RSVD	R	X	RSVD
5:0	VIN[N]	R	X	This register represents the OFF status of each channel: 0 = channel N is NOT OFF 1 = channel N is OFF (below OFF threshold)

### 8.5.1.17 SEQ\_REC\_STAT Register (Address = 0x34) [Default = X]

SEQ\_REC\_STAT is shown in [表 8-22](#).

Return to the [Summary Table](#).

Sequence recording status register.

**表 8-22. SEQ\_REC\_STAT Register Field Descriptions**

Bit	Field	Type	Default	Description
7	REC_ACTIVE	R	X	Indicates the status of sequence logging (recording): 0 = No sequence recording active. 1 = ACT or SLEEP or SEQ_REC_CTL.REC_START initiated a power sequence and recording is active.
6:5	SEQ	R	X	Current sequence being recorded: 00b = Power ON (ACT 01) 01b = Power OFF (ACT 10) 10b = Sleep Exit (SLEEP 01) 11b = Sleep Entry (SLEEP 10)
4	TS_RDY	R	X	Timestamp data availability in SEQ_TIME_xSB registers: If EN_TS_OW=0 this bit is cleared when TS_ACK is written to 1 by the host. If EN_TS_OW=1 this bit is cleared when all the SEQ_TIME_xSB[N] registers for the enabled channels (in VIN_CH_EN register) are read. If the bit is set and REC_ACTIVE is also set, then the data in SEQ_TIME_xSB registers is being overwritten. 0 = No new data available or data already read. 1 = New data available (data still needs to be read).
3	SEQ_ON_RDY	R	X	Power ON sequence data availability in SEQ_ON_LOG registers: If EN_SEQ_OW=0 this bit is cleared when SEQ_ON_ACK is written to 1 by the host. If EN_SEQ_OW=1 this bit is cleared when all the SEQ_ON_LOG registers for the enabled channels (in VIN_CH_EN register) are read. If the bit is set and REC_ACTIVE is set and SEQ [1:0]=00b, then the data in SEQ_ON_LOG registers is being overwritten. 0 = No new data available or data already read. 1 = New data available (data still needs to be read).
2	SEQ_OFF_RDY	R	X	Power OFF sequence data availability in SEQ_OFF_LOG registers: If EN_SEQ_OW=0 this bit is cleared when SEQ_OFF_ACK is written to 1 by the host. If EN_SEQ_OW=1 this bit is cleared when all the SEQ_OFF_LOG registers for the enabled channels (in VIN_CH_EN register) are read. If the bit is set and REC_ACTIVE is set and SEQ [1:0]=01b, then the data in SEQ_OFF_LOG registers is being overwritten. 0 = No new data available or data already read. 1 = New data available (data still needs to be read).

表 8-22. SEQ\_REC\_STAT Register Field Descriptions (continued)

Bit	Field	Type	Default	Description
1	SEQ_EXS_RDY	R	X	Sleep Exit sequence data availability in SEQ_EXS_LOG registers: If EN_SEQ_OW=0 this bit is cleared when SEQ_EXS_ACK is written to 1 by the host. If EN_SEQ_OW=1 this bit is cleared when all the SEQ_EXS_LOG registers for the enabled channels (in VIN_CH_EN register) are read. If the bit is set and REC_ACTIVE is set and SEQ [1:0]=10b, then the data in SEQ_EXS_LOG registers is being overwritten. 0 = No new data available or data already read. 1 = New data available (data still needs to be read).
0	SEQ_ENS_RDY	R	X	Sleep Entry sequence data availability in SEQ_ENS_LOG registers: If EN_SEQ_OW=0 this bit is cleared when SEQ_ENS_ACK is written to 1 by the host. If EN_SEQ_OW=1 this bit is cleared when all the SEQ_ENS_LOG registers for the enabled channels (in VIN_CH_EN register) are read. If the bit is set and REC_ACTIVE is set and SEQ [1:0]=11b, then the data in SEQ_ENS_LOG registers is being overwritten. 0 = No new data available or data already read. 1 = New data available (data still needs to be read).

#### 8.5.1.18 SEQ\_OW\_STAT Register (Address = 0x35) [Default = X]

SEQ\_OW\_STAT is shown in 表 8-23.

Return to the [Summary Table](#).

Sequence recording overwrite status register.

表 8-23. SEQ\_OW\_STAT Register Field Descriptions

Bit	Field	Type	Default	Description
7:5	RSVD	R	X	RSVD
4	TS_OW	R	X	Timestamp data overwritten status: 0 = No data was overwritten 1 = Data was overwritten (if VMON_MISC.EN_TS_OW=1), or data could not be written (if VMON_MISC.EN_TS_OW=0)
3	SEQ_ON_OW	R	X	Power ON sequence data overwritten status: 0 = No data was overwritten 1 = Data was overwritten (if VMON_MISC.EN_SEQ_OW=1), or data could not be written (if VMON_MISC.EN_SEQ_OW=0)
2	SEQ_OFF_OW	R	X	Power OFF sequence data overwritten status: 0 = No data was overwritten 1 = Data was overwritten (if VMON_MISC.EN_SEQ_OW=1), or data could not be written (if VMON_MISC.EN_SEQ_OW=0)
1	SEQ_EXS_OW	R	X	Sleep Exit sequence data overwritten status: 0 = No data was overwritten 1 = Data was overwritten (if VMON_MISC.EN_SEQ_OW=1), or data could not be written (if VMON_MISC.EN_SEQ_OW=0)
0	SEQ_ENS_OW	R	X	Sleep Entry sequence data overwritten status: 0 = No data was overwritten 1 = Data was overwritten (if VMON_MISC.EN_SEQ_OW=1), or data could not be written (if VMON_MISC.EN_SEQ_OW=0)

#### 8.5.1.19 SEQ\_ORD\_STAT Register (Address = 0x36) [Default = X]

SEQ\_ORD\_STAT is shown in 表 8-24.

Return to the [Summary Table](#).

Sequencing/ $\overline{\text{SYNC}}$  counter (rail order) register value.

**表 8-24. SEQ\_ORD\_STAT Register Field Descriptions**

Bit	Field	Type	Default	Description
7:0	SYNC_COUNT[7:0]	R	X	This register represents the counter value during a power/sleep sequence. It corresponds to the number of $\overline{\text{SYNC}}$ falling edges detected, and used as tag value for monitored channels.

#### 8.5.1.20 MON\_LVL[1] Register (Address = 0x40) [Default = X]

MON\_LVL[1] is shown in [表 8-25](#).

Return to the [Summary Table](#).

For ADC readout -of each channel - 8bits

**表 8-25. MON\_LVL[1] Register Field Descriptions**

Bit	Field	Type	Default	Description
7:0	ADC[7:0]	R	X	This register represents the 8-bit voltage level of channel 1. The 8-bit value interpretation depends on the scaling setting in register VRANGE_MULT. With scaling set to 1x, the 8-bit value represents the range 0.2 V to 1.475 V with 1LSB=5 mV. With scaling set to 4x, the 8-bit value represents the range 0.8 V to 5.9 V with 1LSB=20 mV.

#### 8.5.1.21 MON\_LVL[2] Register (Address = 0x41) [Default = X]

MON\_LVL[2] is shown in [表 8-26](#).

Return to the [Summary Table](#).

For ADC readout -of each channel - 8bits

**表 8-26. MON\_LVL[2] Register Field Descriptions**

Bit	Field	Type	Default	Description
7:0	ADC[7:0]	R	X	This register represents the 8-bit voltage level of channel 2. The 8-bit value interpretation depends on the scaling setting in register VRANGE_MULT. With scaling set to 1x, the 8-bit value represents the range 0.2 V to 1.475 V with 1LSB=5 mV. With scaling set to 4x, the 8-bit value represents the range 0.8 V to 5.9 V with 1LSB=20 mV.

#### 8.5.1.22 MON\_LVL[3] Register (Address = 0x42) [Default = X]

MON\_LVL[3] is shown in [表 8-27](#).

Return to the [Summary Table](#).

For ADC readout -of each channel - 8bits

表 8-27. MON\_LVL[3] Register Field Descriptions

Bit	Field	Type	Default	Description
7:0	ADC[7:0]	R	X	This register represents the 8-bit voltage level of channel 3. The 8-bit value interpretation depends on the scaling setting in register VRANGE_MULT. With scaling set to 1x, the 8-bit value represents the range 0.2 V to 1.475 V with 1LSB=5 mV. With scaling set to 4x, the 8-bit value represents the range 0.8 V to 5.9 V with 1LSB=20 mV.

#### 8.5.1.23 MON\_LVL[4] Register (Address = 0x43) [Default = X]

MON\_LVL[4] is shown in 表 8-28.

Return to the [Summary Table](#).

For ADC readout -of each channel - 8bits

表 8-28. MON\_LVL[4] Register Field Descriptions

Bit	Field	Type	Default	Description
7:0	ADC[7:0]	R	X	This register represents the 8-bit voltage level of channel 4. The 8-bit value interpretation depends on the scaling setting in register VRANGE_MULT. With scaling set to 1x, the 8-bit value represents the range 0.2 V to 1.475 V with 1LSB=5 mV. With scaling set to 4x, the 8-bit value represents the range 0.8 V to 5.9 V with 1LSB=20 mV.

#### 8.5.1.24 MON\_LVL[5] Register (Address = 0x44) [Default = X]

MON\_LVL[5] is shown in 表 8-29.

Return to the [Summary Table](#).

For ADC readout -of each channel - 8bits

表 8-29. MON\_LVL[5] Register Field Descriptions

Bit	Field	Type	Default	Description
7:0	ADC[7:0]	R	X	This register represents the 8-bit voltage level of channel 5. The 8-bit value interpretation depends on the scaling setting in register VRANGE_MULT. With scaling set to 1x, the 8-bit value represents the range 0.2 V to 1.475 V with 1LSB=5 mV. With scaling set to 4x, the 8-bit value represents the range 0.8 V to 5.9 V with 1LSB=20 mV.

#### 8.5.1.25 MON\_LVL[6] Register (Address = 0x45) [Default = X]

MON\_LVL[6] is shown in 表 8-30.

Return to the [Summary Table](#).

For ADC readout -of each channel - 8bits

**表 8-30. MON\_LVL[6] Register Field Descriptions**

Bit	Field	Type	Default	Description
7:0	ADC[7:0]	R	X	This register represents the 8-bit voltage level of channel 6. The 8-bit value interpretation depends on the scaling setting in register VRANGE_MULT. With scaling set to 1x, the 8-bit value represents the range 0.2 V to 1.475 V with 1LSB=5 mV. With scaling set to 4x, the 8-bit value represents the range 0.8 V to 5.9 V with 1LSB=20 mV.

#### 8.5.1.26 SEQ\_ON\_LOG[1] Register (Address = 0x50) [Default = X]

SEQ\_ON\_LOG[1] is shown in [表 8-31](#).

Return to the [Summary Table](#).

Channel N Power ON sequence order value (ACT/  $\overline{\text{SLEEP}}$  0 to 1).

**表 8-31. SEQ\_ON\_LOG[1] Register Field Descriptions**

Bit	Field	Type	Default	Description
7:0	ORDER[7:0]	R	X	This register stores the Power ON sequence order value for channel 1. The sequence order value is the tag assigned to the channel during the sequence triggered by ACT. The tag is assigned when the voltage rising level passes the UV_LF[N] threshold. The tag value is the SYNC_ORD_COUNT at the time the threshold is passed.

#### 8.5.1.27 SEQ\_ON\_LOG[2] Register (Address = 0x51) [Default = X]

SEQ\_ON\_LOG[2] is shown in [表 8-32](#).

Return to the [Summary Table](#).

Channel N Power ON sequence order value (ACT/  $\overline{\text{SLEEP}}$  0 to 1).

**表 8-32. SEQ\_ON\_LOG[2] Register Field Descriptions**

Bit	Field	Type	Default	Description
7:0	ORDER[7:0]	R	X	This register stores the Power ON sequence order value for channel 2. The sequence order value is the tag assigned to the channel during the sequence triggered by ACT. The tag is assigned when the voltage rising level passes the UV_LF[N] threshold. The tag value is the SYNC_ORD_COUNT at the time the threshold is passed.

#### 8.5.1.28 SEQ\_ON\_LOG[3] Register (Address = 0x52) [Default = X]

SEQ\_ON\_LOG[3] is shown in [表 8-33](#).

Return to the [Summary Table](#).

Channel N Power ON sequence order value (ACT/  $\overline{\text{SLEEP}}$  0 to 1).

表 8-33. SEQ\_ON\_LOG[3] Register Field Descriptions

Bit	Field	Type	Default	Description
7:0	ORDER[7:0]	R	X	This register stores the Power ON sequence order value for channel 3. The sequence order value is the tag assigned to the channel during the sequence triggered by ACT. The tag is assigned when the voltage rising level passes the UV_LF[N] threshold. The tag value is the SYNC_ORD_COUNT at the time the threshold is passed.

**8.5.1.29 SEQ\_ON\_LOG[4] Register (Address = 0x53) [Default = X]**

SEQ\_ON\_LOG[4] is shown in 表 8-34.

Return to the [Summary Table](#).

Channel N Power ON sequence order value (ACT/  $\overline{\text{SLEEP}}$  0 to 1).

表 8-34. SEQ\_ON\_LOG[4] Register Field Descriptions

Bit	Field	Type	Default	Description
7:0	ORDER[7:0]	R	X	This register stores the Power ON sequence order value for channel 4. The sequence order value is the tag assigned to the channel during the sequence triggered by ACT. The tag is assigned when the voltage rising level passes the UV_LF[N] threshold. The tag value is the SYNC_ORD_COUNT at the time the threshold is passed.

**8.5.1.30 SEQ\_ON\_LOG[5] Register (Address = 0x54) [Default = X]**

SEQ\_ON\_LOG[5] is shown in 表 8-35.

Return to the [Summary Table](#).

Channel N Power ON sequence order value (ACT/  $\overline{\text{SLEEP}}$  0 to 1).

表 8-35. SEQ\_ON\_LOG[5] Register Field Descriptions

Bit	Field	Type	Default	Description
7:0	ORDER[7:0]	R	X	This register stores the Power ON sequence order value for channel 5. The sequence order value is the tag assigned to the channel during the sequence triggered by ACT. The tag is assigned when the voltage rising level passes the UV_LF[N] threshold. The tag value is the SYNC_ORD_COUNT at the time the threshold is passed.

**8.5.1.31 SEQ\_ON\_LOG[6] Register (Address = 0x55) [Default = X]**

SEQ\_ON\_LOG[6] is shown in 表 8-36.

Return to the [Summary Table](#).

Channel N Power ON sequence order value (ACT/  $\overline{\text{SLEEP}}$  0 to 1).

**表 8-36. SEQ\_ON\_LOG[6] Register Field Descriptions**

Bit	Field	Type	Default	Description
7:0	ORDER[7:0]	R	X	This register stores the Power ON sequence order value for channel 6. The sequence order value is the tag assigned to the channel during the sequence triggered by ACT. The tag is assigned when the voltage rising level passes the UV_LF[N] threshold. The tag value is the SYNC_ORD_COUNT at the time the threshold is passed.

#### 8.5.1.32 SEQ\_OFF\_LOG[1] Register (Address = 0x60) [Default = X]

SEQ\_OFF\_LOG[1] is shown in [表 8-37](#).

Return to the [Summary Table](#).

Channel N Power OFF sequence order value (ACT 1 to 0).

**表 8-37. SEQ\_OFF\_LOG[1] Register Field Descriptions**

Bit	Field	Type	Default	Description
7:0	ORDER[7:0]	R	X	This register stores the Power OFF sequence order value for channel 1. The sequence order value is the tag assigned to the channel during the sequence triggered by ACT. The tag is assigned when the voltage falling level passes the OFF threshold (200 mV). The tag value is the SYNC_ORD_COUNT at the time the threshold is passed.

#### 8.5.1.33 SEQ\_OFF\_LOG[2] Register (Address = 0x61) [Default = X]

SEQ\_OFF\_LOG[2] is shown in [表 8-38](#).

Return to the [Summary Table](#).

Channel N Power OFF sequence order value (ACT 1 to 0).

**表 8-38. SEQ\_OFF\_LOG[2] Register Field Descriptions**

Bit	Field	Type	Default	Description
7:0	ORDER[7:0]	R	X	This register stores the Power OFF sequence order value for channel 2. The sequence order value is the tag assigned to the channel during the sequence triggered by ACT. The tag is assigned when the voltage falling level passes the OFF threshold (200 mV). The tag value is the SYNC_ORD_COUNT at the time the threshold is passed.

#### 8.5.1.34 SEQ\_OFF\_LOG[3] Register (Address = 0x62) [Default = X]

SEQ\_OFF\_LOG[3] is shown in [表 8-39](#).

Return to the [Summary Table](#).

Channel N Power OFF sequence order value (ACT 1 to 0).

表 8-39. SEQ\_OFF\_LOG[3] Register Field Descriptions

Bit	Field	Type	Default	Description
7:0	ORDER[7:0]	R	X	This register stores the Power OFF sequence order value for channel 3. The sequence order value is the tag assigned to the channel during the sequence triggered by ACT. The tag is assigned when the voltage falling level passes the OFF threshold (200 mV). The tag value is the SYNC_ORD_COUNT at the time the threshold is passed.

**8.5.1.35 SEQ\_OFF\_LOG[4] Register (Address = 0x63) [Default = X]**

SEQ\_OFF\_LOG[4] is shown in 表 8-40.

Return to the [Summary Table](#).

Channel N Power OFF sequence order value (ACT 1 to 0).

表 8-40. SEQ\_OFF\_LOG[4] Register Field Descriptions

Bit	Field	Type	Default	Description
7:0	ORDER[7:0]	R	X	This register stores the Power OFF sequence order value for channel 4. The sequence order value is the tag assigned to the channel during the sequence triggered by ACT. The tag is assigned when the voltage falling level passes the OFF threshold (200 mV). The tag value is the SYNC_ORD_COUNT at the time the threshold is passed.

**8.5.1.36 SEQ\_OFF\_LOG[5] Register (Address = 0x64) [Default = X]**

SEQ\_OFF\_LOG[5] is shown in 表 8-41.

Return to the [Summary Table](#).

Channel N Power OFF sequence order value (ACT 1 to 0).

表 8-41. SEQ\_OFF\_LOG[5] Register Field Descriptions

Bit	Field	Type	Default	Description
7:0	ORDER[7:0]	R	X	This register stores the Power OFF sequence order value for channel 5. The sequence order value is the tag assigned to the channel during the sequence triggered by ACT. The tag is assigned when the voltage falling level passes the OFF threshold (200 mV). The tag value is the SYNC_ORD_COUNT at the time the threshold is passed.

**8.5.1.37 SEQ\_OFF\_LOG[6] Register (Address = 0x65) [Default = X]**

SEQ\_OFF\_LOG[6] is shown in 表 8-42.

Return to the [Summary Table](#).

Channel N Power OFF sequence order value (ACT 1 to 0).



**表 8-42. SEQ\_OFF\_LOG[6] Register Field Descriptions**

Bit	Field	Type	Default	Description
7:0	ORDER[7:0]	R	X	This register stores the Power OFF sequence order value for channel 6. The sequence order value is the tag assigned to the channel during the sequence triggered by ACT. The tag is assigned when the voltage falling level passes the OFF threshold (200 mV). The tag value is the SYNC_ORD_COUNT at the time the threshold is passed.

#### 8.5.1.38 SEQ\_EXS\_LOG[1] Register (Address = 0x70) [Default = X]

SEQ\_EXS\_LOG[1] is shown in [表 8-43](#).

Return to the [Summary Table](#).

Channel N Sleep Exit sequence order value ( $\overline{\text{SLEEP}}$  0 to 1).

**表 8-43. SEQ\_EXS\_LOG[1] Register Field Descriptions**

Bit	Field	Type	Default	Description
7:0	ORDER[7:0]	R	X	This register stores the Sleep Exit sequence order value for channel 1. The sequence order value is the tag assigned to the channel during the sequence triggered by SLEEP. The tag is assigned when the voltage rising level passes the UV_LF[1] threshold. The tag value is the SYNC_ORD_COUNT at the time the threshold is passed.

#### 8.5.1.39 SEQ\_EXS\_LOG[2] Register (Address = 0x71) [Default = X]

SEQ\_EXS\_LOG[2] is shown in [表 8-44](#).

Return to the [Summary Table](#).

Channel N Sleep Exit sequence order value ( $\overline{\text{SLEEP}}$  0 to 1).

**表 8-44. SEQ\_EXS\_LOG[2] Register Field Descriptions**

Bit	Field	Type	Default	Description
7:0	ORDER[7:0]	R	X	This register stores the Sleep Exit sequence order value for channel 2. The sequence order value is the tag assigned to the channel during the sequence triggered by SLEEP. The tag is assigned when the voltage rising level passes the UV_LF[2] threshold. The tag value is the SYNC_ORD_COUNT at the time the threshold is passed.

#### 8.5.1.40 SEQ\_EXS\_LOG[3] Register (Address = 0x72) [Default = X]

SEQ\_EXS\_LOG[3] is shown in [表 8-45](#).

Return to the [Summary Table](#).

Channel N Sleep Exit sequence order value ( $\overline{\text{SLEEP}}$  0 to 1).

表 8-45. SEQ\_EXS\_LOG[3] Register Field Descriptions

Bit	Field	Type	Default	Description
7:0	ORDER[7:0]	R	X	This register stores the Sleep Exit sequence order value for channel 3. The sequence order value is the tag assigned to the channel during the sequence triggered by SLEEP. The tag is assigned when the voltage rising level passes the UV_LF[3] threshold. The tag value is the SYNC_ORD_COUNT at the time the threshold is passed.

**8.5.1.41 SEQ\_EXS\_LOG[4] Register (Address = 0x73) [Default = X]**

SEQ\_EXS\_LOG[4] is shown in 表 8-46.

Return to the [Summary Table](#).

Channel N Sleep Exit sequence order value ( $\overline{\text{SLEEP}}$  0 to 1).

表 8-46. SEQ\_EXS\_LOG[4] Register Field Descriptions

Bit	Field	Type	Default	Description
7:0	ORDER[7:0]	R	X	This register stores the Sleep Exit sequence order value for channel 4. The sequence order value is the tag assigned to the channel during the sequence triggered by SLEEP. The tag is assigned when the voltage rising level passes the UV_LF[4] threshold. The tag value is the SYNC_ORD_COUNT at the time the threshold is passed.

**8.5.1.42 SEQ\_EXS\_LOG[5] Register (Address = 0x74) [Default = X]**

SEQ\_EXS\_LOG[5] is shown in 表 8-47.

Return to the [Summary Table](#).

Channel N Sleep Exit sequence order value ( $\overline{\text{SLEEP}}$  0 to 1).

表 8-47. SEQ\_EXS\_LOG[5] Register Field Descriptions

Bit	Field	Type	Default	Description
7:0	ORDER[7:0]	R	X	This register stores the Sleep Exit sequence order value for channel 5. The sequence order value is the tag assigned to the channel during the sequence triggered by SLEEP. The tag is assigned when the voltage rising level passes the UV_LF[5] threshold. The tag value is the SYNC_ORD_COUNT at the time the threshold is passed.

**8.5.1.43 SEQ\_EXS\_LOG[6] Register (Address = 0x75) [Default = X]**

SEQ\_EXS\_LOG[6] is shown in 表 8-48.

Return to the [Summary Table](#).

Channel N Sleep Exit sequence order value ( $\overline{\text{SLEEP}}$  0 to 1).

**表 8-48. SEQ\_EXS\_LOG[6] Register Field Descriptions**

Bit	Field	Type	Default	Description
7:0	ORDER[7:0]	R	X	This register stores the Sleep Exit sequence order value for channel 6. The sequence order value is the tag assigned to the channel during the sequence triggered by SLEEP. The tag is assigned when the voltage rising level passes the UV_LF[6] threshold. The tag value is the SYNC_ORD_COUNT at the time the threshold is passed.

#### 8.5.1.44 SEQ\_ENS\_LOG[1] Register (Address = 0x80) [Default = X]

SEQ\_ENS\_LOG[1] is shown in [表 8-49](#).

Return to the [Summary Table](#).

Channel N Sleep Entry sequence order value ( $\overline{\text{SLEEP}}$  1 to 0).

**表 8-49. SEQ\_ENS\_LOG[1] Register Field Descriptions**

Bit	Field	Type	Default	Description
7:0	ORDER[7:0]	R	X	This register stores the Sleep Entry sequence order value for channel 1. The sequence order value is the tag assigned to the channel during the sequence triggered by SLEEP. The tag is assigned when the voltage falling level passes the OFF threshold (200 mV). The tag value is the SYNC_ORD_COUNT at the time the threshold is passed.

#### 8.5.1.45 SEQ\_ENS\_LOG[2] Register (Address = 0x81) [Default = X]

SEQ\_ENS\_LOG[2] is shown in [表 8-50](#).

Return to the [Summary Table](#).

Channel N Sleep Entry sequence order value ( $\overline{\text{SLEEP}}$  1 to 0).

**表 8-50. SEQ\_ENS\_LOG[2] Register Field Descriptions**

Bit	Field	Type	Default	Description
7:0	ORDER[7:0]	R	X	This register stores the Sleep Entry sequence order value for channel 2. The sequence order value is the tag assigned to the channel during the sequence triggered by SLEEP. The tag is assigned when the voltage falling level passes the OFF threshold (200 mV). The tag value is the SYNC_ORD_COUNT at the time the threshold is passed.

#### 8.5.1.46 SEQ\_ENS\_LOG[3] Register (Address = 0x82) [Default = X]

SEQ\_ENS\_LOG[3] is shown in [表 8-51](#).

Return to the [Summary Table](#).

Channel N Sleep Entry sequence order value ( $\overline{\text{SLEEP}}$  1 to 0).

表 8-51. SEQ\_ENS\_LOG[3] Register Field Descriptions

Bit	Field	Type	Default	Description
7:0	ORDER[7:0]	R	X	This register stores the Sleep Entry sequence order value for channel 3. The sequence order value is the tag assigned to the channel during the sequence triggered by SLEEP. The tag is assigned when the voltage falling level passes the OFF threshold (200 mV). The tag value is the SYNC_ORD_COUNT at the time the threshold is passed.

**8.5.1.47 SEQ\_ENS\_LOG[4] Register (Address = 0x83) [Default = X]**

SEQ\_ENS\_LOG[4] is shown in 表 8-52.

Return to the [Summary Table](#).

Channel N Sleep Entry sequence order value ( $\overline{\text{SLEEP}}$  1 to 0).

表 8-52. SEQ\_ENS\_LOG[4] Register Field Descriptions

Bit	Field	Type	Default	Description
7:0	ORDER[7:0]	R	X	This register stores the Sleep Entry sequence order value for channel 4. The sequence order value is the tag assigned to the channel during the sequence triggered by SLEEP. The tag is assigned when the voltage falling level passes the OFF threshold (200 mV). The tag value is the SYNC_ORD_COUNT at the time the threshold is passed.

**8.5.1.48 SEQ\_ENS\_LOG[5] Register (Address = 0x84) [Default = X]**

SEQ\_ENS\_LOG[5] is shown in 表 8-53.

Return to the [Summary Table](#).

Channel N Sleep Entry sequence order value ( $\overline{\text{SLEEP}}$  1 to 0).

表 8-53. SEQ\_ENS\_LOG[5] Register Field Descriptions

Bit	Field	Type	Default	Description
7:0	ORDER[7:0]	R	X	This register stores the Sleep Entry sequence order value for channel 5. The sequence order value is the tag assigned to the channel during the sequence triggered by SLEEP. The tag is assigned when the voltage falling level passes the OFF threshold (200 mV). The tag value is the SYNC_ORD_COUNT at the time the threshold is passed.

**8.5.1.49 SEQ\_ENS\_LOG[6] Register (Address = 0x85) [Default = X]**

SEQ\_ENS\_LOG[6] is shown in 表 8-54.

Return to the [Summary Table](#).

Channel N Sleep Entry sequence order value ( $\overline{\text{SLEEP}}$  1 to 0).

**表 8-54. SEQ\_ENS\_LOG[6] Register Field Descriptions**

Bit	Field	Type	Default	Description
7:0	ORDER[7:0]	R	X	This register stores the Sleep Entry sequence order value for channel 6. The sequence order value is the tag assigned to the channel during the sequence triggered by SLEEP. The tag is assigned when the voltage falling level passes the OFF threshold (200 mV). The tag value is the SYNC_ORD_COUNT at the time the threshold is passed.

#### 8.5.1.50 SEQ\_TIME\_MSB[1] Register (Address = 0x90) [Default = X]

SEQ\_TIME\_MSB[1] is shown in [表 8-55](#).

Return to the [Summary Table](#).

Channel N Sequence timestamp value MSB and LSB (all sequences).

**表 8-55. SEQ\_TIME\_MSB[1] Register Field Descriptions**

Bit	Field	Type	Default	Description
7:0	CLOCK[7:0]	R	X	This register stores the MSB of the sequence timestamp for channel 1. The sequence timer value is the time assigned to the channel during the sequence triggered by ACT or SLEEP. The timestamp is stored when the voltage rising level passes the UV_LF[1] threshold for Power ON and Sleep Exit sequences (ACT 01 or SLEEP 01). The timestamp is stored when the voltage falling level passes the OFF threshold (200 mV) for Power OFF and Sleep Entry sequences (ACT 10 or SLEEP 10). The least significant bit corresponds to 50 $\mu$ s (equal to tSEQ_LSB).

#### 8.5.1.51 SEQ\_TIME\_LSB[1] Register (Address = 0x91) [Default = X]

SEQ\_TIME\_LSB[1] is shown in [表 8-56](#).

Return to the [Summary Table](#).

Channel N Sequence timestamp value MSB and LSB (all sequences).

**表 8-56. SEQ\_TIME\_LSB[1] Register Field Descriptions**

Bit	Field	Type	Default	Description
7:0	CLOCK[7:0]	R	X	This register stores the LSB of the sequence timestamp for channel 1. The sequence timer value is the time assigned to the channel during the sequence triggered by ACT or SLEEP. The timestamp is stored when the voltage rising level passes the UV_LF[1] threshold for Power ON and Sleep Exit sequences (ACT 01 or SLEEP 01). The timestamp is stored when the voltage falling level passes the OFF threshold (200 mV) for Power OFF and Sleep Entry sequences (ACT 10 or SLEEP 10). The least significant bit corresponds to 50 $\mu$ s (equal to tSEQ_LSB).

#### 8.5.1.52 SEQ\_TIME\_MSB[2] Register (Address = 0x92) [Default = X]

SEQ\_TIME\_MSB[2] is shown in [表 8-57](#).

Return to the [Summary Table](#).

Channel N Sequence timestamp value MSB and LSB (all sequences).

**表 8-57. SEQ\_TIME\_MSB[2] Register Field Descriptions**

Bit	Field	Type	Default	Description
7:0	CLOCK[7:0]	R	X	<p>This register stores the MSB of the sequence timestamp for channel 2.</p> <p>The sequence timer value is the time assigned to the channel during the sequence triggered by ACT or SLEEP.</p> <p>The timestamp is stored when the voltage rising level passes the UV_LF[2] threshold for Power ON and Sleep Exit sequences (ACT 01 or SLEEP 01).</p> <p>The timestamp is stored when the voltage falling level passes the OFF threshold (200 mV) for Power OFF and Sleep Entry sequences (ACT 10 or SLEEP 10).</p> <p>The least significant bit corresponds to 50 <math>\mu</math>s (equal to tSEQ_LSB).</p>

#### 8.5.1.53 SEQ\_TIME\_LSB[2] Register (Address = 0x93) [Default = X]

SEQ\_TIME\_LSB[2] is shown in [表 8-58](#).

Return to the [Summary Table](#).

Channel N Sequence timestamp value MSB and LSB (all sequences).

**表 8-58. SEQ\_TIME\_LSB[2] Register Field Descriptions**

Bit	Field	Type	Default	Description
7:0	CLOCK[7:0]	R	X	<p>This register stores the LSB of the sequence timestamp for channel 2.</p> <p>The sequence timer value is the time assigned to the channel during the sequence triggered by ACT or SLEEP.</p> <p>The timestamp is stored when the voltage rising level passes the UV_LF[2] threshold for Power ON and Sleep Exit sequences (ACT 01 or SLEEP 01).</p> <p>The timestamp is stored when the voltage falling level passes the OFF threshold (200 mV) for Power OFF and Sleep Entry sequences (ACT 10 or SLEEP 10).</p> <p>The least significant bit corresponds to 50 <math>\mu</math>s (equal to tSEQ_LSB).</p>

#### 8.5.1.54 SEQ\_TIME\_MSB[3] Register (Address = 0x94) [Default = X]

SEQ\_TIME\_MSB[3] is shown in [表 8-59](#).

Return to the [Summary Table](#).

Channel N Sequence timestamp value MSB and LSB (all sequences).

**表 8-59. SEQ\_TIME\_MSB[3] Register Field Descriptions**

Bit	Field	Type	Default	Description
7:0	CLOCK[7:0]	R	X	<p>This register stores the MSB of the sequence timestamp for channel 3.</p> <p>The sequence timer value is the time assigned to the channel during the sequence triggered by ACT or SLEEP.</p> <p>The timestamp is stored when the voltage rising level passes the UV_LF[3] threshold for Power ON and Sleep Exit sequences (ACT 01 or SLEEP 01).</p> <p>The timestamp is stored when the voltage falling level passes the OFF threshold (200 mV) for Power OFF and Sleep Entry sequences (ACT 10 or SLEEP 10).</p> <p>The least significant bit corresponds to 50 <math>\mu</math>s (equal to tSEQ_LSB).</p>

### 8.5.1.55 SEQ\_TIME\_LSB[3] Register (Address = 0x95) [Default = X]

SEQ\_TIME\_LSB[3] is shown in [表 8-60](#).

Return to the [Summary Table](#).

Channel N Sequence timestamp value MSB and LSB (all sequences).

**表 8-60. SEQ\_TIME\_LSB[3] Register Field Descriptions**

Bit	Field	Type	Default	Description
7:0	CLOCK[7:0]	R	X	This register stores the LSB of the sequence timestamp for channel 3. The sequence timer value is the time assigned to the channel during the sequence triggered by ACT or SLEEP. The timestamp is stored when the voltage rising level passes the UV_LF[3] threshold for Power ON and Sleep Exit sequences (ACT 01 or SLEEP 01). The timestamp is stored when the voltage falling level passes the OFF threshold (200 mV) for Power OFF and Sleep Entry sequences (ACT 10 or SLEEP 10). The least significant bit corresponds to 50 $\mu$ s (equal to tSEQ_LSB).

### 8.5.1.56 SEQ\_TIME\_MSB[4] Register (Address = 0x96) [Default = X]

SEQ\_TIME\_MSB[4] is shown in [表 8-61](#).

Return to the [Summary Table](#).

Channel N Sequence timestamp value MSB and LSB (all sequences).

**表 8-61. SEQ\_TIME\_MSB[4] Register Field Descriptions**

Bit	Field	Type	Default	Description
7:0	CLOCK[7:0]	R	X	This register stores the MSB of the sequence timestamp for channel 4. The sequence timer value is the time assigned to the channel during the sequence triggered by ACT or SLEEP. The timestamp is stored when the voltage rising level passes the UV_LF[4] threshold for Power ON and Sleep Exit sequences (ACT 01 or SLEEP 01). The timestamp is stored when the voltage falling level passes the OFF threshold (200 mV) for Power OFF and Sleep Entry sequences (ACT 10 or SLEEP 10). The least significant bit corresponds to 50 $\mu$ s (equal to tSEQ_LSB).

### 8.5.1.57 SEQ\_TIME\_LSB[4] Register (Address = 0x97) [Default = X]

SEQ\_TIME\_LSB[4] is shown in [表 8-62](#).

Return to the [Summary Table](#).

Channel N Sequence timestamp value MSB and LSB (all sequences).

**表 8-62. SEQ\_TIME\_LSB[4] Register Field Descriptions**

Bit	Field	Type	Default	Description
7:0	CLOCK[7:0]	R	X	<p>This register stores the LSB of the sequence timestamp for channel 4.</p> <p>The sequence timer value is the time assigned to the channel during the sequence triggered by ACT or SLEEP.</p> <p>The timestamp is stored when the voltage rising level passes the UV_LF[4] threshold for Power ON and Sleep Exit sequences (ACT 01 or SLEEP 01).</p> <p>The timestamp is stored when the voltage falling level passes the OFF threshold (200 mV) for Power OFF and Sleep Entry sequences (ACT 10 or SLEEP 10).</p> <p>The least significant bit corresponds to 50 <math>\mu</math>s (equal to tSEQ_LSB).</p>

**8.5.1.58 SEQ\_TIME\_MSB[5] Register (Address = 0x98) [Default = X]**

SEQ\_TIME\_MSB[5] is shown in [表 8-63](#).

Return to the [Summary Table](#).

Channel N Sequence timestamp value MSB and LSB (all sequences).

**表 8-63. SEQ\_TIME\_MSB[5] Register Field Descriptions**

Bit	Field	Type	Default	Description
7:0	CLOCK[7:0]	R	X	<p>This register stores the MSB of the sequence timestamp for channel 5.</p> <p>The sequence timer value is the time assigned to the channel during the sequence triggered by ACT or SLEEP.</p> <p>The timestamp is stored when the voltage rising level passes the UV_LF[5] threshold for Power ON and Sleep Exit sequences (ACT 01 or SLEEP 01).</p> <p>The timestamp is stored when the voltage falling level passes the OFF threshold (200 mV) for Power OFF and Sleep Entry sequences (ACT 10 or SLEEP 10).</p> <p>The least significant bit corresponds to 50 <math>\mu</math>s (equal to tSEQ_LSB).</p>

**8.5.1.59 SEQ\_TIME\_LSB[5] Register (Address = 0x99) [Default = X]**

SEQ\_TIME\_LSB[5] is shown in [表 8-64](#).

Return to the [Summary Table](#).

Channel N Sequence timestamp value MSB and LSB (all sequences).

**表 8-64. SEQ\_TIME\_LSB[5] Register Field Descriptions**

Bit	Field	Type	Default	Description
7:0	CLOCK[7:0]	R	X	<p>This register stores the LSB of the sequence timestamp for channel 5.</p> <p>The sequence timer value is the time assigned to the channel during the sequence triggered by ACT or SLEEP.</p> <p>The timestamp is stored when the voltage rising level passes the UV_LF[5] threshold for Power ON and Sleep Exit sequences (ACT 01 or SLEEP 01).</p> <p>The timestamp is stored when the voltage falling level passes the OFF threshold (200 mV) for Power OFF and Sleep Entry sequences (ACT 10 or SLEEP 10).</p> <p>The least significant bit corresponds to 50 <math>\mu</math>s (equal to tSEQ_LSB).</p>

**8.5.1.60 SEQ\_TIME\_MSB[6] Register (Address = 0x9A) [Default = X]**

SEQ\_TIME\_MSB[6] is shown in [表 8-65](#).



Return to the [Summary Table](#).

Channel N Sequence timestamp value MSB and LSB (all sequences).

**表 8-65. SEQ\_TIME\_MSB[6] Register Field Descriptions**

Bit	Field	Type	Default	Description
7:0	CLOCK[7:0]	R	X	This register stores the MSB of the sequence timestamp for channel 6. The sequence timer value is the time assigned to the channel during the sequence triggered by ACT or SLEEP. The timestamp is stored when the voltage rising level passes the UV_LF[6] threshold for Power ON and Sleep Exit sequences (ACT 01 or SLEEP 01). The timestamp is stored when the voltage falling level passes the OFF threshold (200 mV) for Power OFF and Sleep Entry sequences (ACT 10 or SLEEP 10). The least significant bit corresponds to 50 $\mu$ s (equal to tSEQ_LSB).

#### 8.5.1.61 SEQ\_TIME\_LSB[6] Register (Address = 0x9B) [Default = X]

SEQ\_TIME\_LSB[6] is shown in [表 8-66](#).

Return to the [Summary Table](#).

Channel N Sequence timestamp value MSB and LSB (all sequences).

**表 8-66. SEQ\_TIME\_LSB[6] Register Field Descriptions**

Bit	Field	Type	Default	Description
7:0	CLOCK[7:0]	R	X	This register stores the LSB of the sequence timestamp for channel 6. The sequence timer value is the time assigned to the channel during the sequence triggered by ACT or SLEEP. The timestamp is stored when the voltage rising level passes the UV_LF[6] threshold for Power ON and Sleep Exit sequences (ACT 01 or SLEEP 01). The timestamp is stored when the voltage falling level passes the OFF threshold (200 mV) for Power OFF and Sleep Entry sequences (ACT 10 or SLEEP 10). The least significant bit corresponds to 50 $\mu$ s (equal to tSEQ_LSB).

#### 8.5.1.62 BANK\_SEL Register (Address = 0xF0) [Default = 0x00]

BANK\_SEL is shown in [表 8-67](#).

Return to the [Summary Table](#).

Bank select=0 for Bank 0 and 1 for Bank 1

**表 8-67. BANK\_SEL Register Field Descriptions**

Bit	Field	Type	Default	Description
7:2	RSVD	R/W	0b	RSVD
1	BANK_SELECT	R/W	0b	NA
0	BANK	R/W	0b	Register Bank selection number.

#### 8.5.1.63 PROT1 Register (Address = 0xF1) [Default = 0x00]

PROT1 is shown in [表 8-68](#).

Return to the [Summary Table](#).

Protection selection registers. In order to write-protect a register group, the host must set the relevant bit in both registers. For security, registers PROT1 and PROT2 need to have POR value = 0x00 and become read-only once set until power cycle. Once set to 1, they cannot be cleared to 0 by the host. They can be cleared (and allow writing different VMON registers configurations) through: A power cycle A reset through VMON\_CTL.RESET BIST executed on exiting Sequence 2 (if TEST\_CFG.AT\_SHDN=1).

表 8-68. PROT1 Register Field Descriptions

Bit	Field	Type	Default	Description
7:6	RSVD	R/W	0b	RSVD
5	WRKC	R/W	0b	0b 0 = Control Working (WRKC) registers are writeable. 0b 1 = Writes to control working registers are ignored.
4	WRKS	R/W	0b	0b 0 = Sequence Working (WRKS) registers are writeable. 0b 1 = Writes to sequence working registers are ignored.
3	CFG	R/W	0b	0b 0 = Configuration (CFG) registers are writeable. 0b 1 = Writes to configuration registers are ignored.
2	IEN	R/W	0b	0b 0 = Interrupt Enable (IEN) registers are writeable. 0b 1 = Writes to interrupt enable registers are ignored.
1	MON	R/W	0b	0b 0 = Monitor (MON[N]) registers are writeable. 0b 1 = Writes to monitor registers selected in PROT_MON1 register are ignored.
0	SEQ	R/W	0b	0b 0 = Sequence (SEQ) Registers are writeable. 0b 1 = Writes to sequence registers are ignored.

#### 8.5.1.64 PROT2 Register (Address = 0xF2) [Default = 0x00]

PROT2 is shown in [表 8-69](#).

Return to the [Summary Table](#).

Protection selection registers. In order to write-protect a register group, the host must set the relevant bit in both registers. For security, registers PROT1 and PROT2 need to have POR value = 0x00 and become read-only once set until power cycle. Once set to 1, they cannot be cleared to 0 by the host. They can be cleared (and allow writing different VMON registers configurations) through: A power cycle A reset through VMON\_CTL.RESET BIST executed on exiting Sequence 2 (if TEST\_CFG.AT\_SHDN=1).

表 8-69. PROT2 Register Field Descriptions

Bit	Field	Type	Default	Description
7:6	RSVD	R/W	0b	RSVD
5	WRKC	R/W	0b	0b 0 = Control Working (WRKC) registers are writeable. 0b 1 = Writes to control working registers are ignored.
4	WRKS	R/W	0b	0b 0 = Sequence Working (WRKS) registers are writeable. 0b 1 = Writes to sequence working registers are ignored.

**表 8-69. PROT2 Register Field Descriptions (continued)**

Bit	Field	Type	Default	Description
3	CFG	R/W	0b	0b 0 = Configuration (CFG) registers are writeable. 0b 1 = Writes to configuration registers are ignored.
2	IEN	R/W	0b	0b 0 = Interrupt Enable (IEN) registers are writeable. 0b 1 = Writes to interrupt enable registers are ignored.
1	MON	R/W	0b	0b 0 = Monitor (MON[N]) registers are writeable. 0b 1 = Writes to monitor registers selected in PROT_MON1 register are ignored.
0	SEQ	R/W	0b	0b 0 = Sequence (SEQ) Registers are writeable. 0b 1 = Writes to sequence registers are ignored.

#### 8.5.1.65 PROT\_MON2 Register (Address = 0xF3) [Default = 0xC1]

PROT\_MON2 is shown in [表 8-70](#).

Return to the [Summary Table](#).

Monitor channels configuration protection.

**表 8-70. PROT\_MON2 Register Field Descriptions**

Bit	Field	Type	Default	Description
7:6	RSVD	R/W	11b	RSVD
5:0	MON[N]	R/W	1b	This register selects the monitor channels configurations that will be protected once PROT1, PROT2 registers are written to protect the MON group. 0 = Monitor configuration registers for channel N are writeable. 1 = Writes to monitor configuration registers for channel N are ignored.

#### 8.5.1.66 I2CADDR Register (Address = 0xF9) [Default = X]

I2CADDR is shown in [表 8-71](#).

Return to the [Summary Table](#).

3 LSB bits are decided based on resistor value and 5 MSB bits are based on OTP NVM. ADDR\_NVM has default value of 30 (Factory default setting)

**表 8-71. I2CADDR Register Field Descriptions**

Bit	Field	Type	Default	Description
7	RSVD	R	X	RSVD
6:3	ADDR_NVM[3:0]	R	X	I2C address four most significant bits. Set in NVM.
2:0	ADDR_STRAP[2:0]	R	X	I2C address three least significant bits. Set by the strap level detected on ADDR pin, from 000b to 111b.

#### 8.5.1.67 DEV\_CFG Register (Address = 0xFA) [Default = X]

DEV\_CFG is shown in [表 8-72](#).

Return to the [Summary Table](#).

Status of I2C interface voltage levels, 0 for 3.3V I/F and 1 for 1.2/1.8V interface (Factory default setting)

**表 8-72. DEV\_CFG Register Field Descriptions**

Bit	Field	Type	Default	Description
7:1	RSVD	R	X	RSVD
0	SOC_IF	R	X	Host SoC Interface (includes I2C, ACT, SLEEP, and SYNC). 0 = 3.3 V 1 = 1.2 V/1.8 V

## 8.5.2 BANK1 Registers

表 8-73 lists the memory-mapped registers for the BANK1 registers. All register offset addresses not listed in 表 8-73 should be considered as reserved locations and the register contents should not be modified.

**表 8-73. BANK1 Registers**

Address	Acronym	Bit 7	Bit 6	Bit 5	Bit 4	Bit 3	Bit 2	Bit 1	Bit 0
0x10	<a href="#">VMON_CTL</a>	DIAG_EN_SCALE		SLP_PWR	RSVD	RESET_ROT	SYNC_RST	FORCE_SYNC	FORCE_NIRQ
0x11	<a href="#">VMON_MISC</a>	RSVD				EN_TS_OW	EN_SEQ_OW	REQ_PEC	EN_PEC
0x12	<a href="#">TEST_CFG</a>	RSVD				AT_SHDN	RESERVED	AT_POR	
0x13	<a href="#">IEN_UVHF</a>	RSVD		MON[N]					
0x14	<a href="#">IEN_UVLF</a>	RSVD		MON[N]					
0x15	<a href="#">IEN_OVHF</a>	RSVD		MON[N]					
0x16	<a href="#">IEN_OVLF</a>	RSVD		MON[N]					
0x17	<a href="#">IEN_SEQ_ON</a>	RSVD		MON[N]					
0x18	<a href="#">IEN_SEQ_OFF</a>	RSVD		MON[N]					
0x19	<a href="#">IEN_SEQ_EXS</a>	RSVD		MON[N]					
0x1A	<a href="#">IEN_SEQ_ENS</a>	RSVD		MON[N]					
0x1B	<a href="#">IEN_CONTROL</a>	RT_CRC Int				RSVD	TSD Int	SYNC Int	PEC Int
0x1C	<a href="#">IEN_TEST</a>	ECC_SEC					RSVD	BIST_Co mplete_IN T	BIST_Fail _INT
0x1E	<a href="#">MON_CH_EN</a>	RSVD		MON[N]					
0x1F	<a href="#">VRANGE_MULT</a>	RSVD		MON[N]					
0x20	<a href="#">UV_HF[1]</a>	THRESHOLD[7:0]							
0x21	<a href="#">OV_HF[1]</a>	THRESHOLD[7:0]							
0x22	<a href="#">UV_LF[1]</a>	THRESHOLD[7:0]							
0x23	<a href="#">OV_LF[1]</a>	THRESHOLD[7:0]							
0x24	<a href="#">FLT_HF[1]</a>	OV_DEB[3:0]				UV_DEB[3:0]			
0x25	<a href="#">FC_LF[1]</a>	RSVD					THRESHOLD[2:0]		
0x30	<a href="#">UV_HF[2]</a>	THRESHOLD[7:0]							
0x31	<a href="#">OV_HF[2]</a>	THRESHOLD[7:0]							
0x32	<a href="#">UV_LF[2]</a>	THRESHOLD[7:0]							
0x33	<a href="#">OV_LF[2]</a>	THRESHOLD[7:0]							
0x34	<a href="#">FLT_HF[2]</a>	OV_DEB[3:0]				UV_DEB[3:0]			
0x35	<a href="#">FC_LF[2]</a>	RSVD					THRESHOLD[2:0]		
0x40	<a href="#">UV_HF[3]</a>	THRESHOLD[7:0]							
0x41	<a href="#">OV_HF[3]</a>	THRESHOLD[7:0]							
0x42	<a href="#">UV_LF[3]</a>	THRESHOLD[7:0]							
0x43	<a href="#">OV_LF[3]</a>	THRESHOLD[7:0]							
0x44	<a href="#">FLT_HF[3]</a>	OV_DEB[3:0]				UV_DEB[3:0]			
0x45	<a href="#">FC_LF[3]</a>	RSVD					THRESHOLD[2:0]		
0x50	<a href="#">UV_HF[4]</a>	THRESHOLD[7:0]							
0x51	<a href="#">OV_HF[4]</a>	THRESHOLD[7:0]							
0x52	<a href="#">UV_LF[4]</a>	THRESHOLD[7:0]							
0x53	<a href="#">OV_LF[4]</a>	THRESHOLD[7:0]							
0x54	<a href="#">FLT_HF[4]</a>	OV_DEB[3:0]				UV_DEB[3:0]			

表 8-73. BANK1 Registers (continued)

Address	Acronym	Bit 7	Bit 6	Bit 5	Bit 4	Bit 3	Bit 2	Bit 1	Bit 0	
0x55	FC_LF[4]	RSVD					THRESHOLD[2:0]			
0x60	UV_HF[5]	THRESHOLD[7:0]								
0x61	OV_HF[5]	THRESHOLD[7:0]								
0x62	UV_LF[5]	THRESHOLD[7:0]								
0x63	OV_LF[5]	THRESHOLD[7:0]								
0x64	FLT_HF[5]	OV_DEB[3:0]				UV_DEB[3:0]				
0x65	FC_LF[5]	RSVD					THRESHOLD[2:0]			
0x70	UV_HF[6]	THRESHOLD[7:0]								
0x71	OV_HF[6]	THRESHOLD[7:0]								
0x72	UV_LF[6]	THRESHOLD[7:0]								
0x73	OV_LF[6]	THRESHOLD[7:0]								
0x74	FLT_HF[6]	OV_DEB[3:0]				UV_DEB[3:0]				
0x75	FC_LF[6]	RSVD					THRESHOLD[2:0]			
0x9F	TI_CONTROL	ENTER_B IST	RSVD							
0xA0	SEQ_REC_CTL	REC_STA RT	SEQ[1:0]		TS_ACK	SEQ_ON _ACK	SEQ_OF F_ACK	SEQ_EX S_ACK	SEQ_EN S_ACK	
0xA1	AMSK_ON	RSVD			MON[N]					
0xA2	AMSK_OFF	RSVD			MON[N]					
0xA3	AMSK_EXS	RSVD			MON[N]					
0xA4	AMSK_ENS	RSVD			MON[N]					
0xA5	SEQ_TOUT_MSB	MILLISEC[7:0]								
0xA6	SEQ_TOUT_LSB	MILLISEC[7:0]								
0xA7	SEQ_SYNC	PULSE_WIDTH[7:0]								
0xA8	SEQ_UP_THLD	RSVD			MON[N]					
0xA9	SEQ_DN_THLD	RSVD			MON[N]					
0xB0	SEQ_ON_EXP[1]	ORDER[7:0]								
0xB1	SEQ_ON_EXP[2]	ORDER[7:0]								
0xB2	SEQ_ON_EXP[3]	ORDER[7:0]								
0xB3	SEQ_ON_EXP[4]	ORDER[7:0]								
0xB4	SEQ_ON_EXP[5]	ORDER[7:0]								
0xB5	SEQ_ON_EXP[6]	ORDER[7:0]								
0xC0	SEQ_OFF_EXP[1]	ORDER[7:0]								
0xC1	SEQ_OFF_EXP[2]	ORDER[7:0]								
0xC2	SEQ_OFF_EXP[3]	ORDER[7:0]								
0xC3	SEQ_OFF_EXP[4]	ORDER[7:0]								
0xC4	SEQ_OFF_EXP[5]	ORDER[7:0]								
0xC5	SEQ_OFF_EXP[6]	ORDER[7:0]								
0xD0	SEQ_EXS_EXP[1]	ORDER[7:0]								
0xD1	SEQ_EXS_EXP[2]	ORDER[7:0]								
0xD2	SEQ_EXS_EXP[3]	ORDER[7:0]								
0xD3	SEQ_EXS_EXP[4]	ORDER[7:0]								
0xD4	SEQ_EXS_EXP[5]	ORDER[7:0]								
0xD5	SEQ_EXS_EXP[6]	ORDER[7:0]								
0xE0	SEQ_ENS_EXP[1]	ORDER[7:0]								
0xE1	SEQ_ENS_EXP[2]	ORDER[7:0]								

表 8-73. BANK1 Registers (continued)

Address	Acronym	Bit 7	Bit 6	Bit 5	Bit 4	Bit 3	Bit 2	Bit 1	Bit 0
0xE2	<a href="#">SEQ_ENS_EXP[3]</a>						ORDER[7:0]		
0xE3	<a href="#">SEQ_ENS_EXP[4]</a>						ORDER[7:0]		
0xE4	<a href="#">SEQ_ENS_EXP[5]</a>						ORDER[7:0]		
0xE5	<a href="#">SEQ_ENS_EXP[6]</a>						ORDER[7:0]		

Complex bit access types are encoded to fit into small table cells. 表 8-74 shows the codes that are used for access types in this section.

表 8-74. BANK1 Access Type Codes

Access Type	Code	Description
<b>Read Type</b>		
R	R	Read
<b>Write Type</b>		
W	W	Write
<b>Reset or Default Value</b>		
-n		Value after reset or the default value

### 8.5.2.1 VMON\_CTL Register (Address = 0x10) [Default = X]

VMON\_CTL is shown in 表 8-75.

Return to the [Summary Table](#).

Voltage Monitor device control register.

表 8-75. VMON\_CTL Register Field Descriptions

Bit	Field	Type	Default	Description
7:6	DIAG_EN_SCALE	R/W	0b	Diag EN Scale 00 = No force on GAINSEL of SVS COMPs 01 = Forced to 1x 10 = Forced to 2x 11 = Forced to 4x
5	SLP_PWR	R/W	0b	Sleep Power Bit 0 = Sleep low power mode 1 = Sleep high power mode
4	RSVD	R/W	X	RSVD
3	RESET_PROT	R/W	0b	Reset 0 = Always reads 0 1 = Full device Reset
2	SYNC_RST	R/W	0b	SYNC counter reset (SEQ_ORD_STAT.SYNC_COUNT). 0 = Always reads 0 1 = Reset SYNC counter
1	FORCE_SYNC	R/W	0b	Force SYNC assertion 0 = SYNC pin is de-asserted and controlled by the sequence monitoring logic. 1 = SYNC pin is asserted (forced low)
0	FORCE_NIRQ	R/W	0b	Force NIRQ assertion 0 = NIRQ pin is de-asserted and controlled by interrupt registers faults 1 = NIRQ pin is asserted (forced low)

### 8.5.2.2 VMON\_MISC Register (Address = 0x11) [Default = X]

VMON\_MISC is shown in [表 8-76](#).

Return to the [Summary Table](#).

Miscellaneous voltage monitoring configurations.

**表 8-76. VMON\_MISC Register Field Descriptions**

Bit	Field	Type	Default	Description
7:4	RSVD	R/W	X	RSVD
3	EN_TS_OW	R/W	1b	Allow Timestamp recording overwrite 0 = Disabled. If sequence timestamp data is available in the SEQ_TIME_xSB[N] registers and the SEQ_REC_STAT.TS_RDY bit is set (data not read yet), a new sequence will not overwrite the existing data. 1 = Enabled (default). Sequence timestamp data is overwritten with a new sequence, irrelevant of the SEQ_REC_STAT.TS_RDY bit.
2	EN_SEQ_OW	R/W	1b	Allow Sequence Order recording overwrite 0 = Disabled. If sequence order data is available in the SEQ_ON_LOG[N], SEQ_OFF_LOG[N], SEQ_EXS_LOG[N], or SEQ_ENS_LOG[N] registers, and the respective SEQ_REC_STAT.SEQ_ON_RDY, SEQ_REC_STAT.SEQ_OFF_RDY, SEQ_REC_STAT.SEQ_EXS_RDY, or SEQ_REC_STAT.SEQ_ENS_RDY bit is set (data not read yet), a new sequence will not overwrite the existing data. 1 = Enabled (default). Sequence order data is overwritten with a new sequence, regardless of the SEQ_REC_STAT.SEQ_ON_RDY, SEQ_REC_STAT.SEQ_OFF_RDY, SEQ_REC_STAT.SEQ_EXS_RDY, or SEQ_REC_STAT.SEQ_ENS_RDY bit.
1	REQ_PEC	R/W	0b	Require PEC byte (valid only if EN_PEC is 1): 0 = missing PEC byte is treated as good PEC 1 = missing PEC byte is treated as bad PEC, triggering a fault
0	EN_PEC	R/W	0b	PEC: 0 = PEC disabled (default) 1 = PEC enabled

### 8.5.2.3 TEST\_CFG Register (Address = 0x12) [Default = X]

TEST\_CFG is shown in [表 8-77](#).

Return to the [Summary Table](#).

Built-In Self Test BIST execution configuration.

**表 8-77. TEST\_CFG Register Field Descriptions**

Bit	Field	Type	Default	Description
7:4	RSVD	R/W	X	RSVD
3	AT_SHDN	R/W	X	Run BIST when exiting ACTIVE state due to ACT transitioning 1 to 0. Device ready after tCFG_WB. This bit cannot be set in OTP/NVM. Always defaults to 0 when loading configuration from OTP/NVM.
2	RESERVED	R	X	



**表 8-77. TEST\_CFG Register Field Descriptions (continued)**

Bit	Field	Type	Default	Description
1:0	AT_POR	R/W	X	Run BIST at POR. Device ready after tCFG_WB. 00b = Valid OTP configuration, skip BIST at POR 01b = Corrupt OTP configuration, run BIST at POR 10b = Corrupt OTP configuration, run BIST at POR 11b = Valid OTP configuration, run BIST at POR

#### 8.5.2.4 IEN\_UVHF Register (Address = 0x13) [Default = X]

IEN\_UVHF is shown in [表 8-78](#).

Return to the [Summary Table](#).

High Frequency channel Undervoltage Interrupt Enable register.

**表 8-78. IEN\_UVHF Register Field Descriptions**

Bit	Field	Type	Default	Description
7:6	RSVD	R/W	X	RSVD
5:0	MON[N]	R/W	0b	Undervoltage High Frequency fault Interrupt Enable for VIN channel N (1 through 6). 0 = Interrupt disabled 1 = Interrupt enabled

#### 8.5.2.5 IEN\_UVLF Register (Address = 0x14) [Default = X]

IEN\_UVLF is shown in [表 8-79](#).

Return to the [Summary Table](#).

Low Frequency channel Undervoltage Interrupt Enable register.

**表 8-79. IEN\_UVLF Register Field Descriptions**

Bit	Field	Type	Default	Description
7:6	RSVD	R/W	X	RSVD
5:0	MON[N]	R/W	0b	Undervoltage Low Frequency fault Interrupt Enable for VIN channel N (1 through 6). 0 = Interrupt disabled 1 = Interrupt enabled

#### 8.5.2.6 IEN\_OVHF Register (Address = 0x15) [Default = X]

IEN\_OVHF is shown in [表 8-80](#).

Return to the [Summary Table](#).

High Frequency channel Overvoltage Interrupt Enable register.

**表 8-80. IEN\_OVHF Register Field Descriptions**

Bit	Field	Type	Default	Description
7:6	RSVD	R/W	X	RSVD
5:0	MON[N]	R/W	0b	Overvoltage High Frequency fault Interrupt Enable for VIN channel N (1 through 6). 0 = Interrupt disabled 1 = Interrupt enabled

### 8.5.2.7 IEN\_OVLF Register (Address = 0x16) [Default = X]

IEN\_OVLF is shown in [表 8-81](#).

Return to the [Summary Table](#).

Low Frequency channel Overvoltage Interrupt Enable register.

**表 8-81. IEN\_OVLF Register Field Descriptions**

Bit	Field	Type	Default	Description
7:6	RSVD	R/W	X	RSVD
5:0	MON[N]	R/W	0b	Overvoltage Low Frequency fault Interrupt Enable for VIN channel N (1 through 6). 0 = Interrupt disabled 1 = Interrupt enabled

### 8.5.2.8 IEN\_SEQ\_ON Register (Address = 0x17) [Default = X]

IEN\_SEQ\_ON is shown in [表 8-82](#).

Return to the [Summary Table](#).

Power ON Sequence ACT transition 0 to 1 Interrupt Enable register.

**表 8-82. IEN\_SEQ\_ON Register Field Descriptions**

Bit	Field	Type	Default	Description
7:6	RSVD	R/W	X	RSVD
5:0	MON[N]	R/W	0b	Power ON Sequence Fault Interrupt Enable for VIN channel N (1 through 6). 0 = Interrupt disabled 1 = Interrupt enabled

### 8.5.2.9 IEN\_SEQ\_OFF Register (Address = 0x18) [Default = X]

IEN\_SEQ\_OFF is shown in [表 8-83](#).

Return to the [Summary Table](#).

Power OFF Sequence ACT transition 1 to 0 Interrupt Enable register.

**表 8-83. IEN\_SEQ\_OFF Register Field Descriptions**

Bit	Field	Type	Default	Description
7:6	RSVD	R/W	X	RSVD
5:0	MON[N]	R/W	0b	Power OFF Sequence Fault Interrupt Enable for VIN channel N (1 through 6). 0 = Interrupt disabled 1 = Interrupt enabled

### 8.5.2.10 IEN\_SEQ\_EXS Register (Address = 0x19) [Default = X]

IEN\_SEQ\_EXS is shown in [表 8-84](#).

Return to the [Summary Table](#).

Exit Sleep Sequence  $\overline{\text{SLEEP}}$  transition 0 to 1 Interrupt Enable register.

**表 8-84. IEN\_SEQ\_EXS Register Field Descriptions**

Bit	Field	Type	Default	Description
7:6	RSVD	R/W	X	RSVD

**表 8-84. IEN\_SEQ\_EXS Register Field Descriptions (continued)**

Bit	Field	Type	Default	Description
5:0	MON[N]	R/W	0b	Exit Sleep Sequence Fault Interrupt Enable for VIN channel N (1 through 6). 0 = Interrupt disabled 1 = Interrupt enabled

#### 8.5.2.11 IEN\_SEQ\_ENS Register (Address = 0x1A) [Default = X]

IEN\_SEQ\_ENS is shown in [表 8-85](#).

Return to the [Summary Table](#).

Entry Sleep Sequence  $\overline{\text{SLEEP}}$  transition 1 to 0 Interrupt Enable register.

**表 8-85. IEN\_SEQ\_ENS Register Field Descriptions**

Bit	Field	Type	Default	Description
7:6	RSVD	R/W	X	RSVD
5:0	MON[N]	R/W	0b	Entry Sleep Sequence Fault Interrupt Enable for VIN channel N (1 through 6). 0 = Interrupt disabled 1 = Interrupt enabled

#### 8.5.2.12 IEN\_CONTROL Register (Address = 0x1B) [Default = X]

IEN\_CONTROL is shown in [表 8-86](#).

Return to the [Summary Table](#).

Control and Communication Fault Interrupt Enable register.

**表 8-86. IEN\_CONTROL Register Field Descriptions**

Bit	Field	Type	Default	Description
7:5	RSVD	R/W	X	RSVD
4	RT_CRC Int	R/W	0b	Runtime register Cyclic Redundancy Check (CRC) fault interrupt enable: 0 = Interrupt disabled 1 = Interrupt enabled
3	RSVD	R/W	X	RSVD
2	TSD Int	R/W	0b	Thermal Shutdown fault interrupt enable: 0 = Interrupt disabled 1 = Interrupt enabled
1	SYNC Int	R/W	0b	$\overline{\text{SYNC}}$ pin fault (short to supply or ground detected on $\overline{\text{SYNC}}$ pin) interrupt enable: 0 = Interrupt disabled 1 = Interrupt enabled
0	PEC Int	R/W	0b	PEC fault (mismatch) interrupt enable: 0 = Interrupt disabled 1 = Interrupt enabled

#### 8.5.2.13 IEN\_TEST Register (Address = 0x1C) [Default = X]

IEN\_TEST is shown in [表 8-87](#).

Return to the [Summary Table](#).

Internal Test and Configuration Load Fault Interrupt Enable register.

表 8-87. IEN\_TEST Register Field Descriptions

Bit	Field	Type	Default	Description
7:4	RSVD	R/W	X	RSVD
3	ECC_SEC	R/W	0b	ECC single-error correction fault (on OTP load) interrupt enable: 0 = Interrupt disabled 1 = Interrupt enabled
2	RSVD	R/W	X	RSVD
1	BIST_Complete_INT	R/W	0b	Built-In Self-Test complete interrupt enable: 0 = Interrupt disabled 1 = Interrupt enabled
0	BIST_Fail_INT	R/W	0b	Built-In Self-Test fault interrupt enable: 0 = Interrupt disabled 1 = Interrupt enabled Although expected to be always enabled, it is desirable to have the option to disable it.

#### 8.5.2.14 MON\_CH\_EN Register (Address = 0x1E) [Default = X]

MON\_CH\_EN is shown in 表 8-88.

Return to the [Summary Table](#).

Channel 1-6 Voltage Monitoring Enable register.

表 8-88. MON\_CH\_EN Register Field Descriptions

Bit	Field	Type	Default	Description
7:6	RSVD	R/W	X	RSVD
5:0	MON[N]	R/W	0b	Voltage Monitoring Enable for VIN channel N (1 through 6). 0 = Channel Monitor disabled 1 = Channel Monitor enabled

#### 8.5.2.15 VRANGE\_MULT Register (Address = 0x1F) [Default = X]

VRANGE\_MULT is shown in 表 8-89.

Return to the [Summary Table](#).

Channel 1-6 Voltage Monitoring Range/Scaling register.

表 8-89. VRANGE\_MULT Register Field Descriptions

Bit	Field	Type	Default	Description
7:6	RSVD	R/W	X	RSVD
5:0	MON[N]	R/W	0b	Voltage Monitoring Range/Scaling for VIN channel N (1 through 6). 0 = 1x scaling (0.2 V to 1.475 V with 5 mV steps) 1 = 4x scaling (0.8 V to 5.9 V with 20 mV steps)

#### 8.5.2.16 UV\_HF[1] Register (Address = 0x20) [Default = 0x00]

UV\_HF[1] is shown in 表 8-90.

Return to the [Summary Table](#).

Channel 1 High Frequency channel Undervoltage threshold.

**表 8-90. UV\_HF[1] Register Field Descriptions**

Bit	Field	Type	Default	Description
7:0	THRESHOLD[7:0]	R/W	0b	Undervoltage threshold for High Frequency component of monitored channel. The 8-bit value interpretation depends on the scaling setting in register VRANGE_MULT. With scaling = 1x, the 8-bit value represents the range 0.2 V to 1.475 V with 1 LSB = 5 mV. With scaling = 4x, the 8-bit value represents the range 0.8 V to 5.9 V with 1 LSB = 20 mV.

**8.5.2.17 OV\_HF[1] Register (Address = 0x21) [Default = 0xFF]**

OV\_HF[1] is shown in [表 8-91](#).

Return to the [Summary Table](#).

Channel 1 High Frequency channel Overvoltage threshold.

**表 8-91. OV\_HF[1] Register Field Descriptions**

Bit	Field	Type	Default	Description
7:0	THRESHOLD[7:0]	R/W	11111111b	Overvoltage threshold for High Frequency component of monitored channel. The 8-bit value interpretation depends on the scaling setting in register VRANGE_MULT. With scaling = 1x, the 8-bit value represents the range 0.2 V to 1.475 V with 1 LSB = 5 mV. With scaling = 4x, the 8-bit value represents the range 0.8 V to 5.9 V with 1 LSB = 20 mV.

**8.5.2.18 UV\_LF[1] Register (Address = 0x22) [Default = 0x00]**

UV\_LF[1] is shown in [表 8-92](#).

Return to the [Summary Table](#).

Channel 1 Low Frequency channel Undervoltage threshold.

**表 8-92. UV\_LF[1] Register Field Descriptions**

Bit	Field	Type	Default	Description
7:0	THRESHOLD[7:0]	R/W	0b	Undervoltage threshold for Low Frequency component of monitored channel. The 8-bit value interpretation depends on the scaling setting in register VRANGE_MULT. With scaling = 1x, the 8-bit value represents the range 0.2 V to 1.475 V with 1 LSB = 5 mV. With scaling = 4x, the 8-bit value represents the range 0.8 V to 5.9 V with 1 LSB = 20 mV.

**8.5.2.19 OV\_LF[1] Register (Address = 0x23) [Default = 0xFF]**

OV\_LF[1] is shown in [表 8-93](#).

Return to the [Summary Table](#).

Channel 1 Low Frequency channel Overvoltage threshold.

表 8-93. OV\_LF[1] Register Field Descriptions

Bit	Field	Type	Default	Description
7:0	THRESHOLD[7:0]	R/W	11111111b	Overvoltage threshold for Low Frequency component of monitored channel. The 8-bit value interpretation depends on the scaling setting in register VRANGE_MULT. With scaling = 1x, the 8-bit value represents the range 0.2 V to 1.475 V with 1 LSB = 5 mV. With scaling = 4x, the 8-bit value represents the range 0.8 V to 5.9 V with 1 LSB = 20 mV.

#### 8.5.2.20 FLT\_HF[1] Register (Address = 0x24) [Default = 0x00]

FLT\_HF[1] is shown in 表 8-94.

Return to the [Summary Table](#).

Channel 1 debounce filter for High Frequency Fault. The smallest value supported is 0.4 us, The largest is 102.4 us.

表 8-94. FLT\_HF[1] Register Field Descriptions

Bit	Field	Type	Default	Description
7:4	OV_DEB[3:0]	R/W	0b	Overvoltage comparator output debounce time (dont assert until output is stable for debounce time) for High Frequency monitoring path. 0000b = 0.1 $\mu$ s 1000b = 25.6 $\mu$ s 0001b = 0.2 $\mu$ s 1001b = 51.2 $\mu$ s 0010b = 0.4 $\mu$ s 1010b = 102.4 $\mu$ s 0011b = 0.8 $\mu$ s 1011b = 102.4 $\mu$ s 0100b = 1.6 $\mu$ s 1100b = 102.4 $\mu$ s 0101b = 3.2 $\mu$ s 1101b = 102.4 $\mu$ s 0110b = 6.4 $\mu$ s 1110b = 102.4 $\mu$ s 0111b = 12.8 $\mu$ s 1111b = 102.4 $\mu$ s
3:0	UV_DEB[3:0]	R/W	0b	Undervoltage comparator output debounce time (dont assert until output is stable for debounce time) for High Frequency monitoring path. 0000b = 0.1 $\mu$ s 1000b = 25.6 $\mu$ s 0001b = 0.2 $\mu$ s 1001b = 51.2 $\mu$ s 0010b = 0.4 $\mu$ s 1010b = 102.4 $\mu$ s 0011b = 0.8 $\mu$ s 1011b = 102.4 $\mu$ s 0100b = 1.6 $\mu$ s 1100b = 102.4 $\mu$ s 0101b = 3.2 $\mu$ s 1101b = 102.4 $\mu$ s 0110b = 6.4 $\mu$ s 1110b = 102.4 $\mu$ s 0111b = 12.8 $\mu$ s 1111b = 102.4 $\mu$ s

#### 8.5.2.21 FC\_LF[1] Register (Address = 0x25) [Default = X]

FC\_LF[1] is shown in 表 8-95.

Return to the [Summary Table](#).

Channel 1 Low Frequency Path Cutoff Frequency 3 dB point. The register changes the filter properties of the programmable LPF such that the total frequency response meets these cutoff frequencies.

表 8-95. FC\_LF[1] Register Field Descriptions

Bit	Field	Type	Default	Description
7:3	RSVD	R/W	X	RSVD

**表 8-95. FC\_LF[1] Register Field Descriptions (continued)**

Bit	Field	Type	Default	Description
2:0	THRESHOLD[2:0]	R/W	100b	Low frequency cutoff. 000b = Invalid 001b = Invalid 010b = 250 Hz 011b = 500 Hz 100b = 1 kHz (default) 101b = 2 kHz 110b = 4 kHz 111b = Invalid

#### 8.5.2.22 UV\_HF[2] Register (Address = 0x30) [Default = 0x00]

UV\_HF[2] is shown in [表 8-96](#).

Return to the [Summary Table](#).

Channel 2 High Frequency channel Undervoltage threshold.

**表 8-96. UV\_HF[2] Register Field Descriptions**

Bit	Field	Type	Default	Description
7:0	THRESHOLD[7:0]	R/W	0b	Undervoltage threshold for High Frequency component of monitored channel. The 8-bit value interpretation depends on the scaling setting in register VRANGE_MULT. With scaling = 1x, the 8-bit value represents the range 0.2 V to 1.475 V with 1 LSB = 5 mV. With scaling = 4x, the 8-bit value represents the range 0.8 V to 5.9 V with 1 LSB = 20 mV.

#### 8.5.2.23 OV\_HF[2] Register (Address = 0x31) [Default = 0xFF]

OV\_HF[2] is shown in [表 8-97](#).

Return to the [Summary Table](#).

Channel 2 High Frequency channel Overvoltage threshold.

**表 8-97. OV\_HF[2] Register Field Descriptions**

Bit	Field	Type	Default	Description
7:0	THRESHOLD[7:0]	R/W	1111111b	Overvoltage threshold for High Frequency component of monitored channel. The 8-bit value interpretation depends on the scaling setting in register VRANGE_MULT. With scaling = 1x, the 8-bit value represents the range 0.2 V to 1.475 V with 1 LSB = 5 mV. With scaling = 4x, the 8-bit value represents the range 0.8 V to 5.9 V with 1 LSB = 20 mV.

#### 8.5.2.24 UV\_LF[2] Register (Address = 0x32) [Default = 0x00]

UV\_LF[2] is shown in [表 8-98](#).

Return to the [Summary Table](#).

Channel 2 Low Frequency channel Undervoltage threshold.

表 8-98. UV\_LF[2] Register Field Descriptions

Bit	Field	Type	Default	Description
7:0	THRESHOLD[7:0]	R/W	0b	Undervoltage threshold for Low Frequency component of monitored channel. The 8-bit value interpretation depends on the scaling setting in register VRANGE_MULT. With scaling = 1x, the 8-bit value represents the range 0.2 V to 1.475 V with 1 LSB = 5 mV. With scaling = 4x, the 8-bit value represents the range 0.8 V to 5.9 V with 1 LSB = 20 mV.

### 8.5.2.25 OV\_LF[2] Register (Address = 0x33) [Default = 0xFF]

OV\_LF[2] is shown in 表 8-99.

Return to the [Summary Table](#).

Channel 2 Low Frequency channel Overvoltage threshold.

表 8-99. OV\_LF[2] Register Field Descriptions

Bit	Field	Type	Default	Description
7:0	THRESHOLD[7:0]	R/W	1111111b	Overvoltage threshold for Low Frequency component of monitored channel. The 8-bit value interpretation depends on the scaling setting in register VRANGE_MULT. With scaling = 1x, the 8-bit value represents the range 0.2 V to 1.475 V with 1 LSB = 5 mV. With scaling = 4x, the 8-bit value represents the range 0.8 V to 5.9 V with 1 LSB = 20 mV.

### 8.5.2.26 FLT\_HF[2] Register (Address = 0x34) [Default = 0x00]

FLT\_HF[2] is shown in 表 8-100.

Return to the [Summary Table](#).

Channel 2 debounce filter for HF Fault. The smallest value supported is 0.4 us, The largest is 102.4 us.

表 8-100. FLT\_HF[2] Register Field Descriptions

Bit	Field	Type	Default	Description
7:4	OV_DEB[3:0]	R/W	0b	Overvoltage comparator output debounce time (dont assert until output is stable for debounce time) for High Frequency monitoring path. 0000b = 0.1 $\mu$ s 1000b = 25.6 $\mu$ s 0001b = 0.2 $\mu$ s 1001b = 51.2 $\mu$ s 0010b = 0.4 $\mu$ s 1010b = 102.4 $\mu$ s 0011b = 0.8 $\mu$ s 1011b = 102.4 $\mu$ s 0100b = 1.6 $\mu$ s 1100b = 102.4 $\mu$ s 0101b = 3.2 $\mu$ s 1101b = 102.4 $\mu$ s 0110b = 6.4 $\mu$ s 1110b = 102.4 $\mu$ s 0111b = 12.8 $\mu$ s 1111b = 102.4 $\mu$ s



**表 8-100. FLT\_HF[2] Register Field Descriptions (continued)**

Bit	Field	Type	Default	Description
3:0	UV_DEB[3:0]	R/W	0b	Undervoltage comparator output debounce time (dont assert until output is stable for debounce time) for High Frequency monitoring path. 0000b = 0.1 $\mu$ s 1000b = 25.6 $\mu$ s 0001b = 0.2 $\mu$ s 1001b = 51.2 $\mu$ s 0010b = 0.4 $\mu$ s 1010b = 102.4 $\mu$ s 0011b = 0.8 $\mu$ s 1011b = 102.4 $\mu$ s 0100b = 1.6 $\mu$ s 1100b = 102.4 $\mu$ s 0101b = 3.2 $\mu$ s 1101b = 102.4 $\mu$ s 0110b = 6.4 $\mu$ s 1110b = 102.4 $\mu$ s 0111b = 12.8 $\mu$ s 1111b = 102.4 $\mu$ s

### 8.5.2.27 FC\_LF[2] Register (Address = 0x35) [Default = X]

FC\_LF[2] is shown in [表 8-101](#).

Return to the [Summary Table](#).

Channel 2 Low Frequency Path Cutoff Frequency 3 dB point. The register changes the filter properties of the programmable LPF such that the total frequency response meets these cutoff frequencies.

**表 8-101. FC\_LF[2] Register Field Descriptions**

Bit	Field	Type	Default	Description
7:3	RSVD	R/W	X	RSVD
2:0	THRESHOLD[2:0]	R/W	100b	000b = Invalid 001b = Invalid 010b = 250 Hz 011b = 500 Hz 100b = 1 kHz (default) 101b = 2 kHz 110b = 4 kHz 111b = Invalid

### 8.5.2.28 UV\_HF[3] Register (Address = 0x40) [Default = 0x00]

UV\_HF[3] is shown in [表 8-102](#).

Return to the [Summary Table](#).

Channel 3 High Frequency channel Undervoltage threshold.

**表 8-102. UV\_HF[3] Register Field Descriptions**

Bit	Field	Type	Default	Description
7:0	THRESHOLD[7:0]	R/W	0b	Undervoltage threshold for High Frequency component of monitored channel. The 8-bit value interpretation depends on the scaling setting in register VRANGE_MULT. With scaling = 1x, the 8-bit value represents the range 0.2 V to 1.475 V with 1 LSB = 5 mV. With scaling = 4x, the 8-bit value represents the range 0.8 V to 5.9 V with 1 LSB = 20 mV.

### 8.5.2.29 OV\_HF[3] Register (Address = 0x41) [Default = 0xFF]

OV\_HF[3] is shown in [表 8-103](#).

Return to the [Summary Table](#).

Channel 3 High Frequency channel Overvoltage threshold.

**表 8-103. OV\_HF[3] Register Field Descriptions**

Bit	Field	Type	Default	Description
7:0	THRESHOLD[7:0]	R/W	11111111b	Overvoltage threshold for High Frequency component of monitored channel. The 8-bit value interpretation depends on the scaling setting in register VRANGE_MULT. With scaling = 1x, the 8-bit value represents the range 0.2 V to 1.475 V with 1 LSB = 5 mV. With scaling = 4x, the 8-bit value represents the range 0.8 V to 5.9 V with 1 LSB = 20 mV.

#### 8.5.2.30 UV\_LF[3] Register (Address = 0x42) [Default = 0x00]

UV\_LF[3] is shown in 表 8-104.

Return to the [Summary Table](#).

Channel 3 Low Frequency channel Undervoltage threshold.

**表 8-104. UV\_LF[3] Register Field Descriptions**

Bit	Field	Type	Default	Description
7:0	THRESHOLD[7:0]	R/W	0b	Undervoltage threshold for Low Frequency component of monitored channel. The 8-bit value interpretation depends on the scaling setting in register VRANGE_MULT. With scaling = 1x, the 8-bit value represents the range 0.2 V to 1.475 V with 1 LSB = 5 mV. With scaling = 4x, the 8-bit value represents the range 0.8 V to 5.9 V with 1 LSB = 20 mV.

#### 8.5.2.31 OV\_LF[3] Register (Address = 0x43) [Default = 0xFF]

OV\_LF[3] is shown in 表 8-105.

Return to the [Summary Table](#).

Channel 3 Low Frequency channel Overvoltage threshold.

**表 8-105. OV\_LF[3] Register Field Descriptions**

Bit	Field	Type	Default	Description
7:0	THRESHOLD[7:0]	R/W	11111111b	Overvoltage threshold for Low Frequency component of monitored channel. The 8-bit value interpretation depends on the scaling setting in register VRANGE_MULT. With scaling = 1x, the 8-bit value represents the range 0.2 V to 1.475 V with 1 LSB = 5 mV. With scaling = 4x, the 8-bit value represents the range 0.8 V to 5.9 V with 1 LSB = 20 mV.

#### 8.5.2.32 FLT\_HF[3] Register (Address = 0x44) [Default = 0x00]

FLT\_HF[3] is shown in 表 8-106.

Return to the [Summary Table](#).

Channel 3 debounce filter for HF Fault. The smallest value supported is 0.4 us, The largest is 102.4 us.

表 8-106. FLT\_HF[3] Register Field Descriptions

Bit	Field	Type	Default	Description
7:4	OV_DEB[3:0]	R/W	0b	Overvoltage comparator output debounce time (dont assert until output is stable for debounce time) for High Frequency monitoring path. 0000b = 0.1 $\mu$ s 1000b = 25.6 $\mu$ s 0001b = 0.2 $\mu$ s 1001b = 51.2 $\mu$ s 0010b = 0.4 $\mu$ s 1010b = 102.4 $\mu$ s 0011b = 0.8 $\mu$ s 1011b = 102.4 $\mu$ s 0100b = 1.6 $\mu$ s 1100b = 102.4 $\mu$ s 0101b = 3.2 $\mu$ s 1101b = 102.4 $\mu$ s 0110b = 6.4 $\mu$ s 1110b = 102.4 $\mu$ s 0111b = 12.8 $\mu$ s 1111b = 102.4 $\mu$ s
3:0	UV_DEB[3:0]	R/W	0b	Undervoltage comparator output debounce time (dont assert until output is stable for debounce time) for High Frequency monitoring path. 0000b = 0.1 $\mu$ s 1000b = 25.6 $\mu$ s 0001b = 0.2 $\mu$ s 1001b = 51.2 $\mu$ s 0010b = 0.4 $\mu$ s 1010b = 102.4 $\mu$ s 0011b = 0.8 $\mu$ s 1011b = 102.4 $\mu$ s 0100b = 1.6 $\mu$ s 1100b = 102.4 $\mu$ s 0101b = 3.2 $\mu$ s 1101b = 102.4 $\mu$ s 0110b = 6.4 $\mu$ s 1110b = 102.4 $\mu$ s 0111b = 12.8 $\mu$ s 1111b = 102.4 $\mu$ s

### 8.5.2.33 FC\_LF[3] Register (Address = 0x45) [Default = X]

FC\_LF[3] is shown in 表 8-107.

Return to the [Summary Table](#).

Channel 3 Low Frequency Path Cutoff Frequency 3 dB point. The register changes the filter properties of the programmable LPF such that the total frequency response meets these cutoff frequencies.

表 8-107. FC\_LF[3] Register Field Descriptions

Bit	Field	Type	Default	Description
7:3	RSVD	R/W	X	RSVD
2:0	THRESHOLD[2:0]	R/W	100b	000b = Invalid 001b = Invalid 010b = 250 Hz 011b = 500 Hz 100b = 1 kHz (default) 101b = 2 kHz 110b = 4 kHz 111b = Invalid

### 8.5.2.34 UV\_HF[4] Register (Address = 0x50) [Default = 0x00]

UV\_HF[4] is shown in 表 8-108.

Return to the [Summary Table](#).

Channel 4 High Frequency channel Undervoltage threshold.

表 8-108. UV\_HF[4] Register Field Descriptions

Bit	Field	Type	Default	Description
7:0	THRESHOLD[7:0]	R/W	0b	Undervoltage threshold for High Frequency component of monitored channel. The 8-bit value interpretation depends on the scaling setting in register VRANGE_MULT. With scaling = 1x, the 8-bit value represents the range 0.2 V to 1.475 V with 1 LSB = 5 mV. With scaling = 4x, the 8-bit value represents the range 0.8 V to 5.9 V with 1 LSB = 20 mV.

### 8.5.2.35 OV\_HF[4] Register (Address = 0x51) [Default = 0xFF]

OV\_HF[4] is shown in [表 8-109](#).

Return to the [Summary Table](#).

Channel 4 High Frequency channel Overvoltage threshold.

**表 8-109. OV\_HF[4] Register Field Descriptions**

Bit	Field	Type	Default	Description
7:0	THRESHOLD[7:0]	R/W	11111111b	Overvoltage threshold for High Frequency component of monitored channel. The 8-bit value interpretation depends on the scaling setting in register VRANGE_MULT. With scaling = 1x, the 8-bit value represents the range 0.2 V to 1.475 V with 1 LSB = 5 mV. With scaling = 4x, the 8-bit value represents the range 0.8 V to 5.9 V with 1 LSB = 20 mV.

### 8.5.2.36 UV\_LF[4] Register (Address = 0x52) [Default = 0x00]

UV\_LF[4] is shown in [表 8-110](#).

Return to the [Summary Table](#).

Channel 4 Low Frequency channel Undervoltage threshold.

**表 8-110. UV\_LF[4] Register Field Descriptions**

Bit	Field	Type	Default	Description
7:0	THRESHOLD[7:0]	R/W	0b	Undervoltage threshold for Low Frequency component of monitored channel. The 8-bit value interpretation depends on the scaling setting in register VRANGE_MULT. With scaling = 1x, the 8-bit value represents the range 0.2 V to 1.475 V with 1 LSB = 5 mV. With scaling = 4x, the 8-bit value represents the range 0.8 V to 5.9 V with 1 LSB = 20 mV.

### 8.5.2.37 OV\_LF[4] Register (Address = 0x53) [Default = 0xFF]

OV\_LF[4] is shown in [表 8-111](#).

Return to the [Summary Table](#).

Channel 4 Low Frequency channel Overvoltage threshold.

**表 8-111. OV\_LF[4] Register Field Descriptions**

Bit	Field	Type	Default	Description
7:0	THRESHOLD[7:0]	R/W	11111111b	Overvoltage threshold for Low Frequency component of monitored channel. The 8-bit value interpretation depends on the scaling setting in register VRANGE_MULT. With scaling = 1x, the 8-bit value represents the range 0.2 V to 1.475 V with 1 LSB = 5 mV. With scaling = 4x, the 8-bit value represents the range 0.8 V to 5.9 V with 1 LSB = 20 mV.

### 8.5.2.38 FLT\_HF[4] Register (Address = 0x54) [Default = 0x00]

FLT\_HF[4] is shown in [表 8-112](#).

Return to the [Summary Table](#).

Channel 4 debounce filter for HF Fault. The smallest value supported is 0.4 us, The largest is 102.4 us.

**表 8-112. FLT\_HF[4] Register Field Descriptions**

Bit	Field	Type	Default	Description
7:4	OV_DEB[3:0]	R/W	0b	Overvoltage comparator output debounce time (dont assert until output is stable for debounce time) for High Frequency monitoring path. 0000b = 0.1 μs 1000b = 25.6 μs 0001b = 0.2 μs 1001b = 51.2 μs 0010b = 0.4 μs 1010b = 102.4 μs 0011b = 0.8 μs 1011b = 102.4 μs 0100b = 1.6 μs 1100b = 102.4 μs 0101b = 3.2 μs 1101b = 102.4 μs 0110b = 6.4 μs 1110b = 102.4 μs 0111b = 12.8 μs 1111b = 102.4 μs
3:0	UV_DEB[3:0]	R/W	0b	Undervoltage comparator output debounce time (dont assert until output is stable for debounce time) for High Frequency monitoring path. 0000b = 0.1 μs 1000b = 25.6 μs 0001b = 0.2 μs 1001b = 51.2 μs 0010b = 0.4 μs 1010b = 102.4 μs 0011b = 0.8 μs 1011b = 102.4 μs 0100b = 1.6 μs 1100b = 102.4 μs 0101b = 3.2 μs 1101b = 102.4 μs 0110b = 6.4 μs 1110b = 102.4 μs 0111b = 12.8 μs 1111b = 102.4 μs

#### 8.5.2.39 FC\_LF[4] Register (Address = 0x55) [Default = X]

FC\_LF[4] is shown in [表 8-113](#).

Return to the [Summary Table](#).

Channel 4 Low Frequency Path Cutoff Frequency 3 dB point. The register changes the filter properties of the programmable LPF such that the total frequency response meets these cutoff frequencies.

**表 8-113. FC\_LF[4] Register Field Descriptions**

Bit	Field	Type	Default	Description
7:3	RSVD	R/W	X	RSVD
2:0	THRESHOLD[2:0]	R/W	100b	000b = Invalid 001b = Invalid 010b = 250 Hz 011b = 500 Hz 100b = 1 kHz (default) 101b = 2 kHz 110b = 4 kHz 111b = Invalid

#### 8.5.2.40 UV\_HF[5] Register (Address = 0x60) [Default = 0x00]

UV\_HF[5] is shown in [表 8-114](#).

Return to the [Summary Table](#).

Channel 5 High Frequency channel Undervoltage threshold.

表 8-114. UV\_HF[5] Register Field Descriptions

Bit	Field	Type	Default	Description
7:0	THRESHOLD[7:0]	R/W	0b	Undervoltage threshold for High Frequency component of monitored channel. The 8-bit value interpretation depends on the scaling setting in register VRANGE_MULT. With scaling = 1x, the 8-bit value represents the range 0.2 V to 1.475 V with 1 LSB = 5 mV. With scaling = 4x, the 8-bit value represents the range 0.8 V to 5.9 V with 1 LSB = 20 mV.

**8.5.2.41 OV\_HF[5] Register (Address = 0x61) [Default = 0xFF]**

OV\_HF[5] is shown in 表 8-115.

Return to the [Summary Table](#).

Channel 5 High Frequency channel Overvoltage threshold.

表 8-115. OV\_HF[5] Register Field Descriptions

Bit	Field	Type	Default	Description
7:0	THRESHOLD[7:0]	R/W	1111111b	Overvoltage threshold for High Frequency component of monitored channel. The 8-bit value interpretation depends on the scaling setting in register VRANGE_MULT. With scaling = 1x, the 8-bit value represents the range 0.2 V to 1.475 V with 1 LSB = 5 mV. With scaling = 4x, the 8-bit value represents the range 0.8 V to 5.9 V with 1 LSB = 20 mV.

**8.5.2.42 UV\_LF[5] Register (Address = 0x62) [Default = 0x00]**

UV\_LF[5] is shown in 表 8-116.

Return to the [Summary Table](#).

Channel 5 Low Frequency channel Undervoltage threshold.

表 8-116. UV\_LF[5] Register Field Descriptions

Bit	Field	Type	Default	Description
7:0	THRESHOLD[7:0]	R/W	0b	Undervoltage threshold for Low Frequency component of monitored channel. The 8-bit value interpretation depends on the scaling setting in register VRANGE_MULT. With scaling = 1x, the 8-bit value represents the range 0.2 V to 1.475 V with 1 LSB = 5 mV. With scaling = 4x, the 8-bit value represents the range 0.8 V to 5.9 V with 1 LSB = 20 mV.

**8.5.2.43 OV\_LF[5] Register (Address = 0x63) [Default = 0xFF]**

OV\_LF[5] is shown in 表 8-117.

Return to the [Summary Table](#).

Channel 5 Low Frequency channel Overvoltage threshold.

**表 8-117. OV\_LF[5] Register Field Descriptions**

Bit	Field	Type	Default	Description
7:0	THRESHOLD[7:0]	R/W	11111111b	Overvoltage threshold for Low Frequency component of monitored channel. The 8-bit value interpretation depends on the scaling setting in register VRANGE_MULT. With scaling = 1x, the 8-bit value represents the range 0.2 V to 1.475 V with 1 LSB = 5 mV. With scaling = 4x, the 8-bit value represents the range 0.8 V to 5.9 V with 1 LSB = 20 mV.

#### 8.5.2.44 FLT\_HF[5] Register (Address = 0x64) [Default = 0x00]

FLT\_HF[5] is shown in [表 8-118](#).

Return to the [Summary Table](#).

Channel 5 debounce filter for HF Fault. The smallest value supported is 0.4 us, The largest is 102.4 us.

**表 8-118. FLT\_HF[5] Register Field Descriptions**

Bit	Field	Type	Default	Description
7:4	OV_DEB[3:0]	R/W	0b	Overvoltage comparator output debounce time (dont assert until output is stable for debounce time) for High Frequency monitoring path. 0000b = 0.1 $\mu$ s 1000b = 25.6 $\mu$ s 0001b = 0.2 $\mu$ s 1001b = 51.2 $\mu$ s 0010b = 0.4 $\mu$ s 1010b = 102.4 $\mu$ s 0011b = 0.8 $\mu$ s 1011b = 102.4 $\mu$ s 0100b = 1.6 $\mu$ s 1100b = 102.4 $\mu$ s 0101b = 3.2 $\mu$ s 1101b = 102.4 $\mu$ s 0110b = 6.4 $\mu$ s 1110b = 102.4 $\mu$ s 0111b = 12.8 $\mu$ s 1111b = 102.4 $\mu$ s
3:0	UV_DEB[3:0]	R/W	0b	Undervoltage comparator output debounce time (dont assert until output is stable for debounce time) for High Frequency monitoring path. 0000b = 0.1 $\mu$ s 1000b = 25.6 $\mu$ s 0001b = 0.2 $\mu$ s 1001b = 51.2 $\mu$ s 0010b = 0.4 $\mu$ s 1010b = 102.4 $\mu$ s 0011b = 0.8 $\mu$ s 1011b = 102.4 $\mu$ s 0100b = 1.6 $\mu$ s 1100b = 102.4 $\mu$ s 0101b = 3.2 $\mu$ s 1101b = 102.4 $\mu$ s 0110b = 6.4 $\mu$ s 1110b = 102.4 $\mu$ s 0111b = 12.8 $\mu$ s 1111b = 102.4 $\mu$ s

#### 8.5.2.45 FC\_LF[5] Register (Address = 0x65) [Default = X]

FC\_LF[5] is shown in [表 8-119](#).

Return to the [Summary Table](#).

Channel 5 Low Frequency Path Cutoff Frequency 3 dB point. The register changes the filter properties of the programmable LPF such that the total frequency response meets these cutoff frequencies.

**表 8-119. FC\_LF[5] Register Field Descriptions**

Bit	Field	Type	Default	Description
7:3	RSVD	R/W	X	RSVD
2:0	THRESHOLD[2:0]	R/W	100b	000b = Invalid 001b = Invalid 010b = 250 Hz 011b = 500 Hz 100b = 1 kHz (default) 101b = 2 kHz 110b = 4 kHz 111b = Invalid

### 8.5.2.46 UV\_HF[6] Register (Address = 0x70) [Default = 0x00]

UV\_HF[6] is shown in [表 8-120](#).

Return to the [Summary Table](#).

Channel 6 High Frequency channel Undervoltage threshold.

**表 8-120. UV\_HF[6] Register Field Descriptions**

Bit	Field	Type	Default	Description
7:0	THRESHOLD[7:0]	R/W	0b	Undervoltage threshold for High Frequency component of monitored channel. The 8-bit value interpretation depends on the scaling setting in register VRANGE_MULT. With scaling = 1x, the 8-bit value represents the range 0.2 V to 1.475 V with 1 LSB = 5 mV. With scaling = 4x, the 8-bit value represents the range 0.8 V to 5.9 V with 1 LSB = 20 mV.

### 8.5.2.47 OV\_HF[6] Register (Address = 0x71) [Default = 0xFF]

OV\_HF[6] is shown in [表 8-121](#).

Return to the [Summary Table](#).

Channel 6 High Frequency channel Overvoltage threshold.

**表 8-121. OV\_HF[6] Register Field Descriptions**

Bit	Field	Type	Default	Description
7:0	THRESHOLD[7:0]	R/W	11111111b	Overvoltage threshold for High Frequency component of monitored channel. The 8-bit value interpretation depends on the scaling setting in register VRANGE_MULT. With scaling = 1x, the 8-bit value represents the range 0.2 V to 1.475 V with 1 LSB = 5 mV. With scaling = 4x, the 8-bit value represents the range 0.8 V to 5.9 V with 1 LSB = 20 mV.

### 8.5.2.48 UV\_LF[6] Register (Address = 0x72) [Default = 0x00]

UV\_LF[6] is shown in [表 8-122](#).

Return to the [Summary Table](#).

Channel 6 Low Frequency channel Undervoltage threshold.

**表 8-122. UV\_LF[6] Register Field Descriptions**

Bit	Field	Type	Default	Description
7:0	THRESHOLD[7:0]	R/W	0b	Undervoltage threshold for Low Frequency component of monitored channel. The 8-bit value interpretation depends on the scaling setting in register VRANGE_MULT. With scaling = 1x, the 8-bit value represents the range 0.2 V to 1.475 V with 1 LSB = 5 mV. With scaling = 4x, the 8-bit value represents the range 0.8 V to 5.9 V with 1 LSB = 20 mV.

### 8.5.2.49 OV\_LF[6] Register (Address = 0x73) [Default = 0xFF]

OV\_LF[6] is shown in [表 8-123](#).



Return to the [Summary Table](#).

Channel 6 Low Frequency channel Overvoltage threshold.

**表 8-123. OV\_LF[6] Register Field Descriptions**

Bit	Field	Type	Default	Description
7:0	THRESHOLD[7:0]	R/W	11111111b	Overvoltage threshold for Low Frequency component of monitored channel. The 8-bit value interpretation depends on the scaling setting in register VRANGE_MULT. With scaling = 1x, the 8-bit value represents the range 0.2 V to 1.475 V with 1 LSB = 5 mV. With scaling = 4x, the 8-bit value represents the range 0.8 V to 5.9 V with 1 LSB = 20 mV.

#### 8.5.2.50 FLT\_HF[6] Register (Address = 0x74) [Default = 0x00]

FLT\_HF[6] is shown in [表 8-124](#).

Return to the [Summary Table](#).

Channel 6 debounce filter for HF Fault. The smallest value supported is 0.4 us, The largest is 102.4 us.

**表 8-124. FLT\_HF[6] Register Field Descriptions**

Bit	Field	Type	Default	Description
7:4	OV_DEB[3:0]	R/W	0b	Overvoltage comparator output debounce time (dont assert until output is stable for debounce time) for High Frequency monitoring path. 0000b = 0.1 $\mu$ s 1000b = 25.6 $\mu$ s 0001b = 0.2 $\mu$ s 1001b = 51.2 $\mu$ s 0010b = 0.4 $\mu$ s 1010b = 102.4 $\mu$ s 0011b = 0.8 $\mu$ s 1011b = 102.4 $\mu$ s 0100b = 1.6 $\mu$ s 1100b = 102.4 $\mu$ s 0101b = 3.2 $\mu$ s 1101b = 102.4 $\mu$ s 0110b = 6.4 $\mu$ s 1110b = 102.4 $\mu$ s 0111b = 12.8 $\mu$ s 1111b = 102.4 $\mu$ s
3:0	UV_DEB[3:0]	R/W	0b	Undervoltage comparator output debounce time (dont assert until output is stable for debounce time) for High Frequency monitoring path. 0000b = 0.1 $\mu$ s 1000b = 25.6 $\mu$ s 0001b = 0.2 $\mu$ s 1001b = 51.2 $\mu$ s 0010b = 0.4 $\mu$ s 1010b = 102.4 $\mu$ s 0011b = 0.8 $\mu$ s 1011b = 102.4 $\mu$ s 0100b = 1.6 $\mu$ s 1100b = 102.4 $\mu$ s 0101b = 3.2 $\mu$ s 1101b = 102.4 $\mu$ s 0110b = 6.4 $\mu$ s 1110b = 102.4 $\mu$ s 0111b = 12.8 $\mu$ s 1111b = 102.4 $\mu$ s

#### 8.5.2.51 FC\_LF[6] Register (Address = 0x75) [Default = X]

FC\_LF[6] is shown in [表 8-125](#).

Return to the [Summary Table](#).

Channel 6 Low Frequency Path Cutoff Frequency 3 dB point. The register changes the filter properties of the programmable LPF such that the total frequency response meets these cutoff frequencies.

**表 8-125. FC\_LF[6] Register Field Descriptions**

Bit	Field	Type	Default	Description
7:3	RSVD	R/W	X	RSVD

表 8-125. FC\_LF[6] Register Field Descriptions (continued)

Bit	Field	Type	Default	Description
2:0	THRESHOLD[2:0]	R/W	100b	000b = Invalid 001b = Invalid 010b = 250 Hz 011b = 500 Hz 100b = 1 kHz (default) 101b = 2 kHz 110b = 4 kHz 111b = Invalid

### 8.5.2.52 TI\_CONTROL Register (Address = 0x9F) [Default = X]

TI\_CONTROL is shown in 表 8-126.

Return to the [Summary Table](#).

Manual BIST entry register.

表 8-126. TI\_CONTROL Register Field Descriptions

Bit	Field	Type	Default	Description
7	ENTER_BIST	R/W	X	Enter BIST: 0 = Default 1 = Enter BIST
6:0	RSVD	R/W	X	RSVD

### 8.5.2.53 SEQ\_REC\_CTL Register (Address = 0xA0) [Default = 0x00]

SEQ\_REC\_CTL is shown in 表 8-127.

Return to the [Summary Table](#).

Sequence control register.

表 8-127. SEQ\_REC\_CTL Register Field Descriptions

Bit	Field	Type	Default	Description
7	REC_START	R/W	0b	Software start sequence logging (recording): 0 = Always read 0 1 = Initiate power sequence (selected by SEQ[1:0]) recording.
6:5	SEQ[1:0]	R/W	0b	Sequence to record (and compare for faults to corresponding expected sequence order registers): 00b = Power ON (same as ACT 0 to 1) 01b = Power OFF (ACT 1 to 0) 10b = Sleep Exit (SLEEP 0 to 1) 11b = Sleep Entry (SLEEP 1 to 0)
4	TS_ACK	R/W	0b	Timestamp data OK to overwrite. Valid and used only if VMON_MISC.EN_TS_OW=0. 00b = Always read 0 01b = Acknowledge Timestamp data and OK to overwrite. SEQ_REC_STAT.TS_RDY and SEQ_OW_STAT.TS_OW are cleared.
3	SEQ_ON_ACK	R/W	0b	Power ON sequence data OK to overwrite. Valid and used only if VMON_MISC.EN_SEQ_OW=0. 00b = Always read 0 01b = Acknowledge Power ON sequence data and OK to overwrite. SEQ_REC_STAT.SEQ_ON_RDY and SEQ_OW_STAT.SEQ_ON_OW are cleared.

**表 8-127. SEQ\_REC\_CTL Register Field Descriptions (continued)**

Bit	Field	Type	Default	Description
2	SEQ_OFF_ACK	R/W	0b	Power OFF sequence data OK to overwrite. Valid and used only if VMON_MISC.EN_SEQ_OW=0. 00b = Always read 0. 01b = Acknowledge Power OFF sequence data and OK to overwrite. SEQ_REC_STAT.SEQ_OFF_RDY and SEQ_OW_STAT.SEQ_OFF_OW are cleared.
1	SEQ_EXS_ACK	R/W	0b	Sleep Exit sequence data OK to overwrite. Valid and used only if VMON_MISC.EN_SEQ_OW=0. 00b = Always read 0. 01b = Acknowledge Sleep Exit sequence data and OK to overwrite. SEQ_REC_STAT.SEQ_EXS_RDY and SEQ_OW_STAT.SEQ_EXS_OW are cleared.
0	SEQ_ENS_ACK	R/W	0b	Sleep Entry sequence data OK to overwrite. Valid and used only if VMON_MISC.EN_SEQ_OW=0. 00b = Always read 0. 01b = Acknowledge Sleep Entry sequence data and OK to overwrite. SEQ_REC_STAT.SEQ_ENS_RDY and SEQ_OW_STAT.SEQ_ENS_OW are cleared.

#### 8.5.2.54 AMSK\_ON Register (Address = 0xA1) [Default = X]

AMSK\_ON is shown in [表 8-128](#).

Return to the [Summary Table](#).

Auto-mask ON register. This register is used to mask UVLF, UVHF, and OVHF interrupts on ACT transition 0 to 1 transitions.

**表 8-128. AMSK\_ON Register Field Descriptions**

Bit	Field	Type	Default	Description
7:6	RSVD	R/W	X	RSVD
5:0	MON[N]	R/W	111111b	Auto-mask on ACT 0 to 1 transition for IEN_UVLF, IEN_UVHF, and IEN_OVHF for VIN channel N (1 through 6). 00b = Channel interrupts not auto-masked. 01b = Channel interrupts auto-masked.

#### 8.5.2.55 AMSK\_OFF Register (Address = 0xA2) [Default = X]

AMSK\_OFF is shown in [表 8-129](#).

Return to the [Summary Table](#).

Auto-mask OFF register. This register is used to mask UVLF, UVHF, and OVHF interrupts on ACT transition 1 to 0 transitions.

**表 8-129. AMSK\_OFF Register Field Descriptions**

Bit	Field	Type	Default	Description
7:6	RSVD	R/W	X	RSVD
5:0	MON[N]	R/W	111111b	Auto-mask on ACT 1 to 0 transition for IEN_UVLF, IEN_UVHF, and IEN_OVHF for VIN channel N (1 through 6). 00b = Channel interrupts not auto-masked. 01b = Channel interrupts auto-masked.

#### 8.5.2.56 AMSK\_EXS Register (Address = 0xA3) [Default = X]

AMSK\_EXS is shown in [表 8-130](#).

Return to the [Summary Table](#).

Auto-mask EXIT register. This register is used to mask UVLF, UVHF, and OVHF interrupts on  $\overline{\text{SLEEP}}$  transition 0 to 1 transitions.

**表 8-130. AMSK\_EXS Register Field Descriptions**

Bit	Field	Type	Default	Description
7:6	RSVD	R/W	X	RSVD
5:0	MON[N]	R/W	111111b	Auto-mask on $\overline{\text{SLEEP}}$ 0 to 1 transition for IEN_UVLF, IEN_UVHF, and IEN_OVHF for VIN channel N (1 through 6). 00b = Channel interrupts not auto-masked 01b = Channel interrupts auto-masked

#### 8.5.2.57 AMSK\_ENS Register (Address = 0xA4) [Default = X]

AMSK\_ENS is shown in [表 8-131](#).

Return to the [Summary Table](#).

Auto-mask ENTRY register. This register is used to mask UVLF, UVHF, and OVHF interrupts on  $\overline{\text{SLEEP}}$  transition 1 to 0 transitions.

**表 8-131. AMSK\_ENS Register Field Descriptions**

Bit	Field	Type	Default	Description
7:6	RSVD	R/W	X	RSVD
5:0	MON[N]	R/W	111111b	Auto-mask on $\overline{\text{SLEEP}}$ 1 to 0 transition for IEN_UVLF, IEN_UVHF, and IEN_OVHF for VIN channel N (1 through 6). 00b = Channel interrupts not auto-masked 01b = Channel interrupts auto-masked

#### 8.5.2.58 SEQ\_TOUT\_MSB Register (Address = 0xA5) [Default = 0x00]

SEQ\_TOUT\_MSB is shown in [表 8-132](#).

Return to the [Summary Table](#).

Sequence timeout most significant bits register.

**表 8-132. SEQ\_TOUT\_MSB Register Field Descriptions**

Bit	Field	Type	Default	Description
7:0	MILLISEC[7:0]	R/W	0b	ACT and $\overline{\text{SLEEP}}$ transition sequence timeout. After the timeout, the auto-masks (AMSK_XXX) are released and the IEN_xVxF interrupts become active. 0x 0000 = 1 ms 0x 0001 = 2 ms While the max value is not specified, it is desirable to be able to set this timeout up to 4 s, and at least 256 ms (using only the lower byte at address 0xA6).

#### 8.5.2.59 SEQ\_TOUT\_LSB Register (Address = 0xA6) [Default = 0x00]

SEQ\_TOUT\_LSB is shown in [表 8-133](#).

Return to the [Summary Table](#).

Sequence timeout least significant bits register.

**表 8-133. SEQ\_TOUT\_LSB Register Field Descriptions**

Bit	Field	Type	Default	Description
7:0	MILLISEC[7:0]	R/W	0b	ACT and SLEEP transition sequence timeout. After the timeout, the auto-masks (AMSK_xxx) are released and the IEN_xVxF interrupts become active. 0x 0000 = 1 ms 0x 0001 = 2 ms While the max value is not specified, it is desirable to be able to set this timeout up to 4 s, and at least 256 ms (using only the lower byte at address 0xA6).

#### 8.5.2.60 SEQ\_SYNC Register (Address = 0xA7) [Default = 0x00]

SEQ\_SYNC is shown in 表 8-134.

Return to the [Summary Table](#).

Sequence  $\overline{\text{SYNC}}$  pulse duration from 50 us to 2600 us.

**表 8-134. SEQ\_SYNC Register Field Descriptions**

Bit	Field	Type	Default	Description
7:0	PULSE_WIDTH[7:0]	R/W	0b	Pulse width for $\overline{\text{SYNC}}$ synchronization pulse. 00000000b = 50μs 00000001b = 60μs 00000010b = 70μs ... 11111101b = 2580μs 11111110b = 2590μs 11111111b = 2600μs

#### 8.5.2.61 SEQ\_UP\_THLD Register (Address = 0xA8) [Default = 0xDF]

SEQ\_UP\_THLD is shown in 表 8-135.

Return to the [Summary Table](#).

Threshold selection register for up sequence tagging ACT and SLEEP transition 0 to 1 transitions.

**表 8-135. SEQ\_UP\_THLD Register Field Descriptions**

Bit	Field	Type	Default	Description
7:6	RSVD	R/W	11b	RSVD
5:0	MON[N]	R/W	11111b	OFF (200 mV) or UV (UV_LF[N] register) threshold selection for Power ON and Exit Sleep sequence tagging: 00b = Use OFF threshold (200 mV) 01b = Use UV threshold (UV_LF[N] register) 0b = OFF 1b = UVLF

#### 8.5.2.62 SEQ\_DN\_THLD Register (Address = 0xA9) [Default = 0x00]

SEQ\_DN\_THLD is shown in 表 8-136.

Return to the [Summary Table](#).

Threshold selection register for down sequence tagging ACT and SLEEP transition 1 to 0 transitions.

表 8-136. SEQ\_DN\_THLD Register Field Descriptions

Bit	Field	Type	Default	Description
7:6	RSVD	R/W	0b	RSVD
5:0	MON[N]	R/W	0b	OFF (200 mV) or UV (UV_LF[N] register) threshold selection for Power OFF and Enter Sleep sequence tagging: 00b = Use OFF threshold (200 mV) 01b = Use UV threshold (UV_LF[N] register) 0b = OFF 1b = UVLF

### 8.5.2.63 SEQ\_ON\_EXP[1] Register (Address = 0xB0) [Default = 0x00]

SEQ\_ON\_EXP[1] is shown in 表 8-137.

Return to the [Summary Table](#).

Channel 1 Power ON sequence order expected value register. This register is used to set the value of the expected power-on sequence order for channel 1.

表 8-137. SEQ\_ON\_EXP[1] Register Field Descriptions

Bit	Field	Type	Default	Description
7:0	ORDER[7:0]	R/W	0b	Expected Power ON sequence order value for channel 1. This sequence order value is compared with the SEQ_ON_LOG[1] register assigned to the channel during the sequence triggered by ACT.

### 8.5.2.64 SEQ\_ON\_EXP[2] Register (Address = 0xB1) [Default = 0x00]

SEQ\_ON\_EXP[2] is shown in 表 8-138.

Return to the [Summary Table](#).

Channel 2 Power ON sequence order expected value register. This register is used to set the value of the expected power-on sequence order for channel 2.

表 8-138. SEQ\_ON\_EXP[2] Register Field Descriptions

Bit	Field	Type	Default	Description
7:0	ORDER[7:0]	R/W	0b	Expected Power ON sequence order value for channel 2. This sequence order value is compared with the SEQ_ON_LOG[2] register assigned to the channel during the sequence triggered by ACT.

### 8.5.2.65 SEQ\_ON\_EXP[3] Register (Address = 0xB2) [Default = 0x00]

SEQ\_ON\_EXP[3] is shown in 表 8-139.

Return to the [Summary Table](#).

Channel 3 Power ON sequence order expected value register. This register is used to set the value of the expected power-on sequence order for channel 3.

表 8-139. SEQ\_ON\_EXP[3] Register Field Descriptions

Bit	Field	Type	Default	Description
7:0	ORDER[7:0]	R/W	0b	Expected Power ON sequence order value for channel 3. This sequence order value is compared with the SEQ_ON_LOG[3] register assigned to the channel during the sequence triggered by ACT.

### 8.5.2.66 SEQ\_ON\_EXP[4] Register (Address = 0xB3) [Default = 0x00]

SEQ\_ON\_EXP[4] is shown in [表 8-140](#).

Return to the [Summary Table](#).

Channel 4 Power ON sequence order expected value register. This register is used to set the value of the expected power-on sequence order for channel 4.

**表 8-140. SEQ\_ON\_EXP[4] Register Field Descriptions**

Bit	Field	Type	Default	Description
7:0	ORDER[7:0]	R/W	0b	Expected Power ON sequence order value for channel 4. This sequence order value is compared with the SEQ_ON_LOG[4] register assigned to the channel during the sequence triggered by ACT.

### 8.5.2.67 SEQ\_ON\_EXP[5] Register (Address = 0xB4) [Default = 0x00]

SEQ\_ON\_EXP[5] is shown in [表 8-141](#).

Return to the [Summary Table](#).

Channel 5 Power ON sequence order expected value register. This register is used to set the value of the expected power-on sequence order for channel 5.

**表 8-141. SEQ\_ON\_EXP[5] Register Field Descriptions**

Bit	Field	Type	Default	Description
7:0	ORDER[7:0]	R/W	0b	Expected Power ON sequence order value for channel 5. This sequence order value is compared with the SEQ_ON_LOG[5] register assigned to the channel during the sequence triggered by ACT.

### 8.5.2.68 SEQ\_ON\_EXP[6] Register (Address = 0xB5) [Default = 0x00]

SEQ\_ON\_EXP[6] is shown in [表 8-142](#).

Return to the [Summary Table](#).

Channel 6 Power ON sequence order expected value register. This register is used to set the value of the expected power-on sequence order for channel 6.

**表 8-142. SEQ\_ON\_EXP[6] Register Field Descriptions**

Bit	Field	Type	Default	Description
7:0	ORDER[7:0]	R/W	0b	Expected Power ON sequence order value for channel 6. This sequence order value is compared with the SEQ_ON_LOG[6] register assigned to the channel during the sequence triggered by ACT.

### 8.5.2.69 SEQ\_OFF\_EXP[1] Register (Address = 0xC0) [Default = 0x00]

SEQ\_OFF\_EXP[1] is shown in [表 8-143](#).

Return to the [Summary Table](#).

Channel 1 Power OFF sequence order expected value register. This register is used to set the value of the expected power-off sequence order for channel 1.

**表 8-143. SEQ\_OFF\_EXP[1] Register Field Descriptions**

Bit	Field	Type	Default	Description
7:0	ORDER[7:0]	R/W	0b	Expected Power OFF sequence order value for channel 1. This sequence order value is compared with the SEQ_OFF_LOG[1] register assigned to the channel during the sequence triggered by ACT

**8.5.2.70 SEQ\_OFF\_EXP[2] Register (Address = 0xC1) [Default = 0x00]**

SEQ\_OFF\_EXP[2] is shown in [表 8-144](#).

Return to the [Summary Table](#).

Channel 2 Power OFF sequence order expected value register. This register is used to set the value of the expected power-off sequence order for channel 2.

**表 8-144. SEQ\_OFF\_EXP[2] Register Field Descriptions**

Bit	Field	Type	Default	Description
7:0	ORDER[7:0]	R/W	0b	Expected Power OFF sequence order value for channel 2. This sequence order value is compared with the SEQ_OFF_LOG[2] register assigned to the channel during the sequence triggered by ACT

**8.5.2.71 SEQ\_OFF\_EXP[3] Register (Address = 0xC2) [Default = 0x00]**

SEQ\_OFF\_EXP[3] is shown in [表 8-145](#).

Return to the [Summary Table](#).

Channel 3 Power OFF sequence order expected value register. This register is used to set the value of the expected power-off sequence order for channel 3.

**表 8-145. SEQ\_OFF\_EXP[3] Register Field Descriptions**

Bit	Field	Type	Default	Description
7:0	ORDER[7:0]	R/W	0b	Expected Power OFF sequence order value for channel 3. This sequence order value is compared with the SEQ_OFF_LOG[3] register assigned to the channel during the sequence triggered by ACT

**8.5.2.72 SEQ\_OFF\_EXP[4] Register (Address = 0xC3) [Default = 0x00]**

SEQ\_OFF\_EXP[4] is shown in [表 8-146](#).

Return to the [Summary Table](#).

Channel 4 Power OFF sequence order expected value register. This register is used to set the value of the expected power-off sequence order for channel 4.

**表 8-146. SEQ\_OFF\_EXP[4] Register Field Descriptions**

Bit	Field	Type	Default	Description
7:0	ORDER[7:0]	R/W	0b	Expected Power OFF sequence order value for channel 4. This sequence order value is compared with the SEQ_OFF_LOG[4] register assigned to the channel during the sequence triggered by ACT



### 8.5.2.73 SEQ\_OFF\_EXP[5] Register (Address = 0xC4) [Default = 0x00]

SEQ\_OFF\_EXP[5] is shown in [表 8-147](#).

Return to the [Summary Table](#).

Channel 5 Power OFF sequence order expected value register. This register is used to set the value of the expected power-off sequence order for channel 5.

**表 8-147. SEQ\_OFF\_EXP[5] Register Field Descriptions**

Bit	Field	Type	Default	Description
7:0	ORDER[7:0]	R/W	0b	Expected Power OFF sequence order value for channel 5. This sequence order value is compared with the SEQ_OFF_LOG[5] register assigned to the channel during the sequence triggered by ACT

### 8.5.2.74 SEQ\_OFF\_EXP[6] Register (Address = 0xC5) [Default = 0x00]

SEQ\_OFF\_EXP[6] is shown in [表 8-148](#).

Return to the [Summary Table](#).

Channel 6 Power OFF sequence order expected value register. This register is used to set the value of the expected power-off sequence order for channel 6.

**表 8-148. SEQ\_OFF\_EXP[6] Register Field Descriptions**

Bit	Field	Type	Default	Description
7:0	ORDER[7:0]	R/W	0b	Expected Power OFF sequence order value for channel 6. This sequence order value is compared with the SEQ_OFF_LOG[6] register assigned to the channel during the sequence triggered by ACT

### 8.5.2.75 SEQ\_EXS\_EXP[1] Register (Address = 0xD0) [Default = 0x00]

SEQ\_EXS\_EXP[1] is shown in [表 8-149](#).

Return to the [Summary Table](#).

Channel 1 Sleep Exit sequence order expected value register. This register is used to set the value of the expected sleep exit sequence order for channel 1

**表 8-149. SEQ\_EXS\_EXP[1] Register Field Descriptions**

Bit	Field	Type	Default	Description
7:0	ORDER[7:0]	R/W	0b	Expected Sleep Exit sequence order value for channel 1. This sequence order value is compared with the SEQ_EXS_LOG[1] register assigned to the channel during the sequence triggered by ACT/ SLEEP.

### 8.5.2.76 SEQ\_EXS\_EXP[2] Register (Address = 0xD1) [Default = 0x00]

SEQ\_EXS\_EXP[2] is shown in [表 8-150](#).

Return to the [Summary Table](#).

Channel 2 Sleep Exit sequence order expected value register. This register is used to set the value of the expected sleep exit sequence order for channel 2

**表 8-150. SEQ\_EXS\_EXP[2] Register Field Descriptions**

Bit	Field	Type	Default	Description
7:0	ORDER[7:0]	R/W	0b	Expected Sleep Exit sequence order value for channel 2. This sequence order value is compared with the SEQ_EXS_LOG[2] register assigned to the channel during the sequence triggered by ACT/ SLEEP.

**8.5.2.77 SEQ\_EXS\_EXP[3] Register (Address = 0xD2) [Default = 0x00]**

SEQ\_EXS\_EXP[3] is shown in [表 8-151](#).

Return to the [Summary Table](#).

Channel 3 Sleep Exit sequence order expected value register. This register is used to set the value of the expected sleep exit sequence order for channel 3

**表 8-151. SEQ\_EXS\_EXP[3] Register Field Descriptions**

Bit	Field	Type	Default	Description
7:0	ORDER[7:0]	R/W	0b	Expected Sleep Exit sequence order value for channel 3. This sequence order value is compared with the SEQ_EXS_LOG[3] register assigned to the channel during the sequence triggered by ACT/ SLEEP.

**8.5.2.78 SEQ\_EXS\_EXP[4] Register (Address = 0xD3) [Default = 0x00]**

SEQ\_EXS\_EXP[4] is shown in [表 8-152](#).

Return to the [Summary Table](#).

Channel 4 Sleep Exit sequence order expected value register. This register is used to set the value of the expected sleep exit sequence order for channel 4

**表 8-152. SEQ\_EXS\_EXP[4] Register Field Descriptions**

Bit	Field	Type	Default	Description
7:0	ORDER[7:0]	R/W	0b	Expected Sleep Exit sequence order value for channel 4. This sequence order value is compared with the SEQ_EXS_LOG[4] register assigned to the channel during the sequence triggered by ACT/ SLEEP.

**8.5.2.79 SEQ\_EXS\_EXP[5] Register (Address = 0xD4) [Default = 0x00]**

SEQ\_EXS\_EXP[5] is shown in [表 8-153](#).

Return to the [Summary Table](#).

Channel 5 Sleep Exit sequence order expected value register. This register is used to set the value of the expected sleep exit sequence order for channel 5

**表 8-153. SEQ\_EXS\_EXP[5] Register Field Descriptions**

Bit	Field	Type	Default	Description
7:0	ORDER[7:0]	R/W	0b	Expected Sleep Exit sequence order value for channel 5. This sequence order value is compared with the SEQ_EXS_LOG[5] register assigned to the channel during the sequence triggered by ACT/ SLEEP.

### 8.5.2.80 SEQ\_EXS\_EXP[6] Register (Address = 0xD5) [Default = 0x00]

SEQ\_EXS\_EXP[6] is shown in [表 8-154](#).

Return to the [Summary Table](#).

Channel 6 Sleep Exit sequence order expected value register. This register is used to set the value of the expected sleep exit sequence order for channel 6

**表 8-154. SEQ\_EXS\_EXP[6] Register Field Descriptions**

Bit	Field	Type	Default	Description
7:0	ORDER[7:0]	R/W	0b	Expected Sleep Exit sequence order value for channel 6. This sequence order value is compared with the SEQ_EXS_LOG[6] register assigned to the channel during the sequence triggered by ACT/ SLEEP.

### 8.5.2.81 SEQ\_ENS\_EXP[1] Register (Address = 0xE0) [Default = 0x00]

SEQ\_ENS\_EXP[1] is shown in [表 8-155](#).

Return to the [Summary Table](#).

Channel 1 Sleep Entry sequence order expected value register. This register is used to set the value of the expected sleep entry sequence order for channel 1

**表 8-155. SEQ\_ENS\_EXP[1] Register Field Descriptions**

Bit	Field	Type	Default	Description
7:0	ORDER[7:0]	R/W	0b	Expected Sleep Entry sequence order value for channel 1. This sequence order value is compared with the SEQ_ENS_LOG[1] register assigned to the channel during the sequence triggered by SLEEP.

### 8.5.2.82 SEQ\_ENS\_EXP[2] Register (Address = 0xE1) [Default = 0x00]

SEQ\_ENS\_EXP[2] is shown in [表 8-156](#).

Return to the [Summary Table](#).

Channel 2 Sleep Entry sequence order expected value register. This register is used to set the value of the expected sleep entry sequence order for channel 2

**表 8-156. SEQ\_ENS\_EXP[2] Register Field Descriptions**

Bit	Field	Type	Default	Description
7:0	ORDER[7:0]	R/W	0b	Expected Sleep Entry sequence order value for channel 2. This sequence order value is compared with the SEQ_ENS_LOG[2] register assigned to the channel during the sequence triggered by SLEEP.

### 8.5.2.83 SEQ\_ENS\_EXP[3] Register (Address = 0xE2) [Default = 0x00]

SEQ\_ENS\_EXP[3] is shown in [表 8-157](#).

Return to the [Summary Table](#).

Channel 3 Sleep Entry sequence order expected value register. This register is used to set the value of the expected sleep entry sequence order for channel 3

**表 8-157. SEQ\_ENS\_EXP[3] Register Field Descriptions**

Bit	Field	Type	Default	Description
7:0	ORDER[7:0]	R/W	0b	Expected Sleep Entry sequence order value for channel 3. This sequence order value is compared with the SEQ_ENS_LOG[3] register assigned to the channel during the sequence triggered by SLEEP.

**8.5.2.84 SEQ\_ENS\_EXP[4] Register (Address = 0xE3) [Default = 0x00]**

SEQ\_ENS\_EXP[4] is shown in [表 8-158](#).

Return to the [Summary Table](#).

Channel 4 Sleep Entry sequence order expected value register. This register is used to set the value of the expected sleep entry sequence order for channel 4

**表 8-158. SEQ\_ENS\_EXP[4] Register Field Descriptions**

Bit	Field	Type	Default	Description
7:0	ORDER[7:0]	R/W	0b	Expected Sleep Entry sequence order value for channel 4. This sequence order value is compared with the SEQ_ENS_LOG[4] register assigned to the channel during the sequence triggered by SLEEP.

**8.5.2.85 SEQ\_ENS\_EXP[5] Register (Address = 0xE4) [Default = 0x00]**

SEQ\_ENS\_EXP[5] is shown in [表 8-159](#).

Return to the [Summary Table](#).

Channel 5 Sleep Entry sequence order expected value register. This register is used to set the value of the expected sleep entry sequence order for channel 5

**表 8-159. SEQ\_ENS\_EXP[5] Register Field Descriptions**

Bit	Field	Type	Default	Description
7:0	ORDER[7:0]	R/W	0b	Expected Sleep Entry sequence order value for channel 5. This sequence order value is compared with the SEQ_ENS_LOG[5] register assigned to the channel during the sequence triggered by SLEEP.

**8.5.2.86 SEQ\_ENS\_EXP[6] Register (Address = 0xE5) [Default = 0x00]**

SEQ\_ENS\_EXP[6] is shown in [表 8-160](#).

Return to the [Summary Table](#).

Channel 6 Sleep Entry sequence order expected value register. This register is used to set the value of the expected sleep entry sequence order for channel 6

**表 8-160. SEQ\_ENS\_EXP[6] Register Field Descriptions**

Bit	Field	Type	Default	Description
7:0	ORDER[7:0]	R/W	0b	Expected Sleep Entry sequence order value for channel 6. This sequence order value is compared with the SEQ_ENS_LOG[6] register assigned to the channel during the sequence triggered by SLEEP.

## 9 Application and Implementation

---

### 备注

Information in the following applications sections is not part of the TI component specification, and TI does not warrant its accuracy or completeness. TI's customers are responsible for determining suitability of components for their purposes. Customers should validate and test their design implementation to confirm system functionality.

---

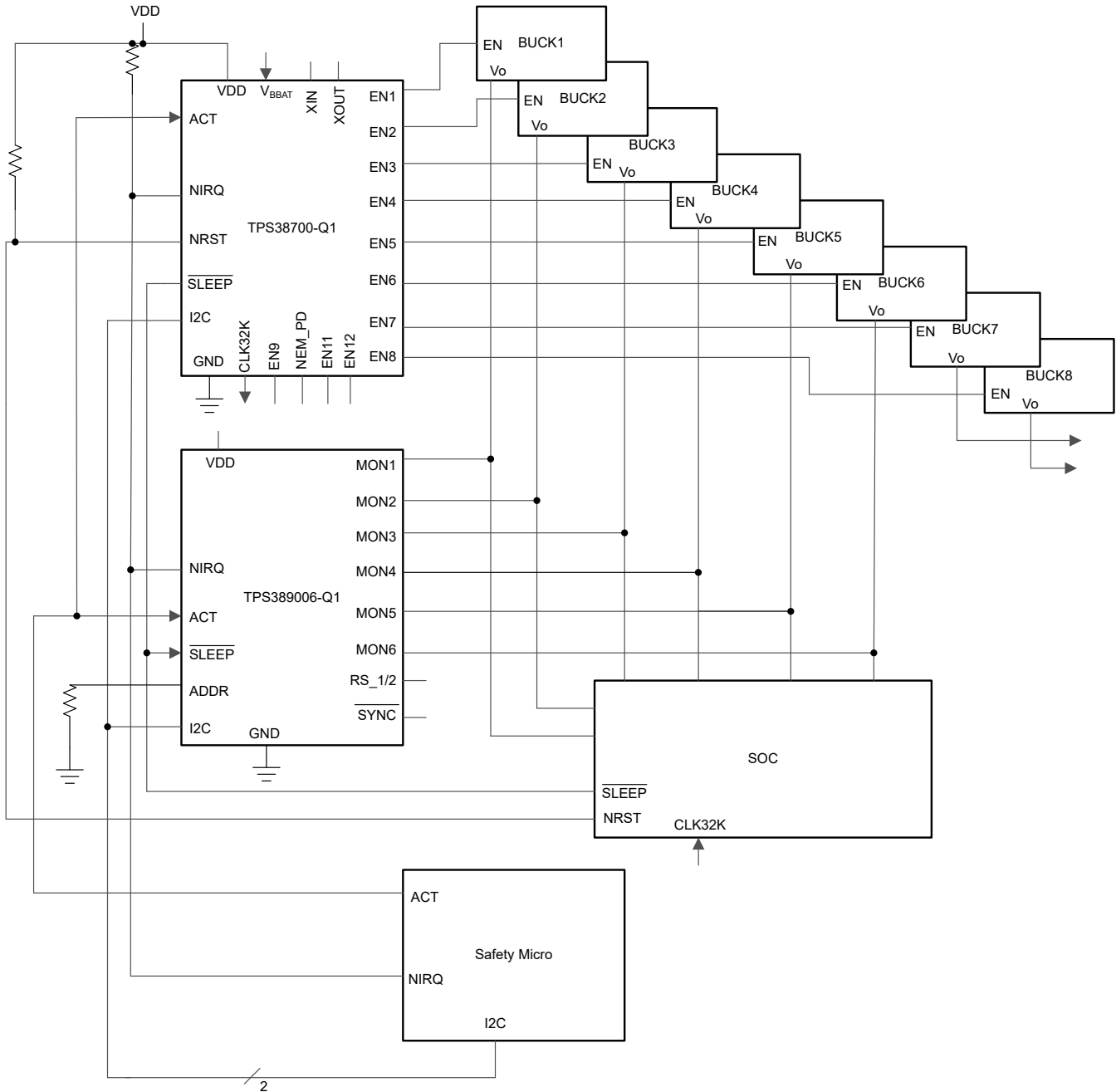
### 9.1 Application Information

Modern SOC and FPGA devices typically have multiple power rails to provide power to the different blocks within the IC. Accurate voltage level and timing requirements are common and must be met in order to ensure proper operation of these devices. By utilizing TPS389006-Q1 along with a multichannel voltage sequencer, the power up and power down sequencing requirements as well as the core voltage requirements of the target SOC or FPGA device can be met. This design focuses on meeting the timing requirements for an SOC by using the TPS389006-Q1.

## 9.2 Typical Application

### 9.2.1 Automotive Multichannel Sequencer and Monitor

A typical application for the TPS389006-Q1 is shown in [Figure 9-1](#). TPS389006-Q1 is used to provide the proper voltage monitoring for the target SOC device. A multichannel voltage monitor TPS389006-Q1 is used to monitor the voltage rails as these rails power up and power down to ensure that the correct sequence occurs in both occasions. A safety microcontroller is also used to provide ACT, SLEEP, and I<sup>2</sup>C commands to the TPS389006-Q1 monitor the NIRQ pin for active faults. The ACT signal from the safety microcontroller determines when the TPS389006-Q1 enters into ACTIVE or IDLE states while the NIRQ pin of the TPS389006-Q1 acts as a latched interrupt pin that is set when a fault has occurred. The host microcontroller can clear the fault by writing 1 to the affected register(s). The power rails for the safety microcontroller are not shown in [Figure 9-1](#) for simplicity.



**图 9-1. TPS389006-Q1 Voltage Monitor Design Block Diagram**

### 9.2.2 Design Requirements

Six different voltage rails supplied by DC/DC converters need to be properly monitored in this design. All detected failures in sequencing should be reported via an external hardware interrupt signal. All detected failures should be logged in internal registers and be accessible to an external processor via I<sup>2</sup>C.

### 9.2.3 Detailed Design Procedure

TPS389006-Q1 device option comes preprogrammed with default values for over voltage, under voltage, expected sequences on power up and down. Please follow the design requirements outlined below.

- NIRQ pin requires a pull up resistor in the range of 10 k $\Omega$  to 100 k $\Omega$ .
- SDA and SCL lines require pull up resistors in the range of 10 k $\Omega$ .
- The ACT pin is driven by an external safety microcontroller. When the ACT pin is driven high, the device enters into ACTIVE mode. When the ACT pin is driven low, the device enters into SLEEP mode.
- The safety microcontroller is used to clear fault interrupts reported through the NIRQ interrupt pin and the INT\_SCR1 and INT\_SCR2 registers. The interrupt flags can only be cleared by the host microcontroller with a write-1-to-clear operation; interrupt flags are not automatically cleared if the fault condition is no longer present.

### 9.2.4 Application Curves

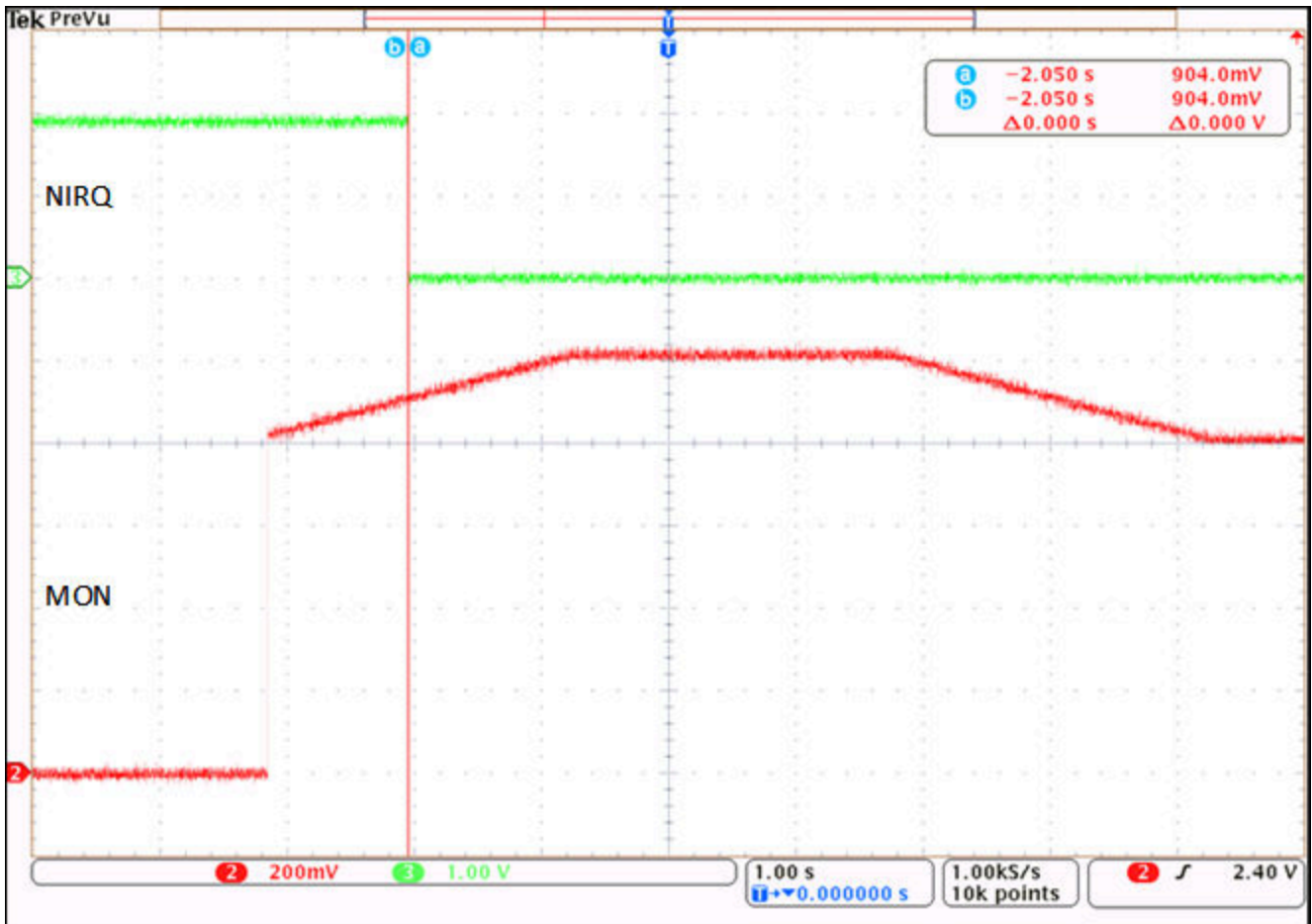


图 9-2. NIRQ Triggered After an Overvoltage Fault



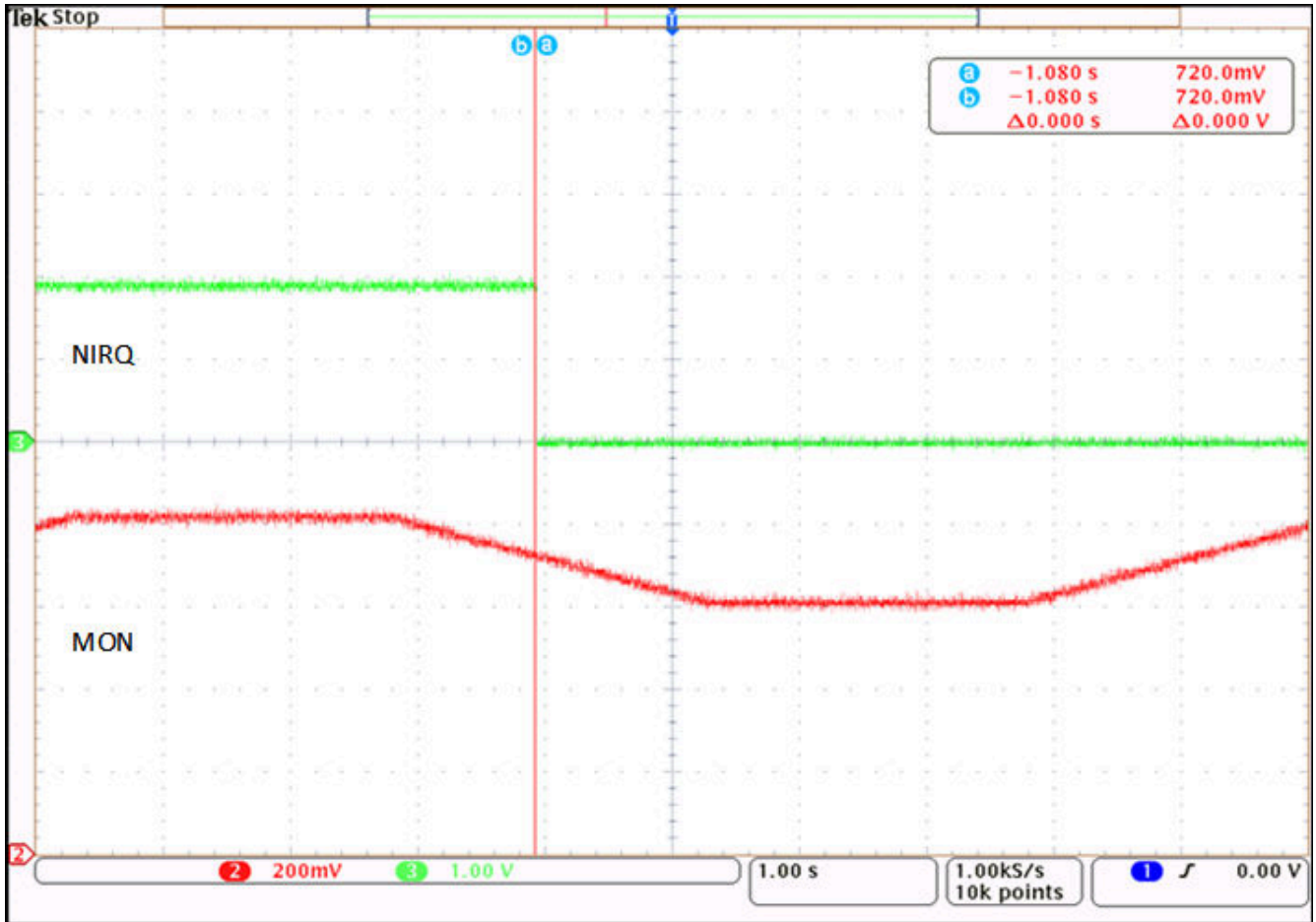


图 9-3. NIRQ Triggered After an Undervoltage Fault

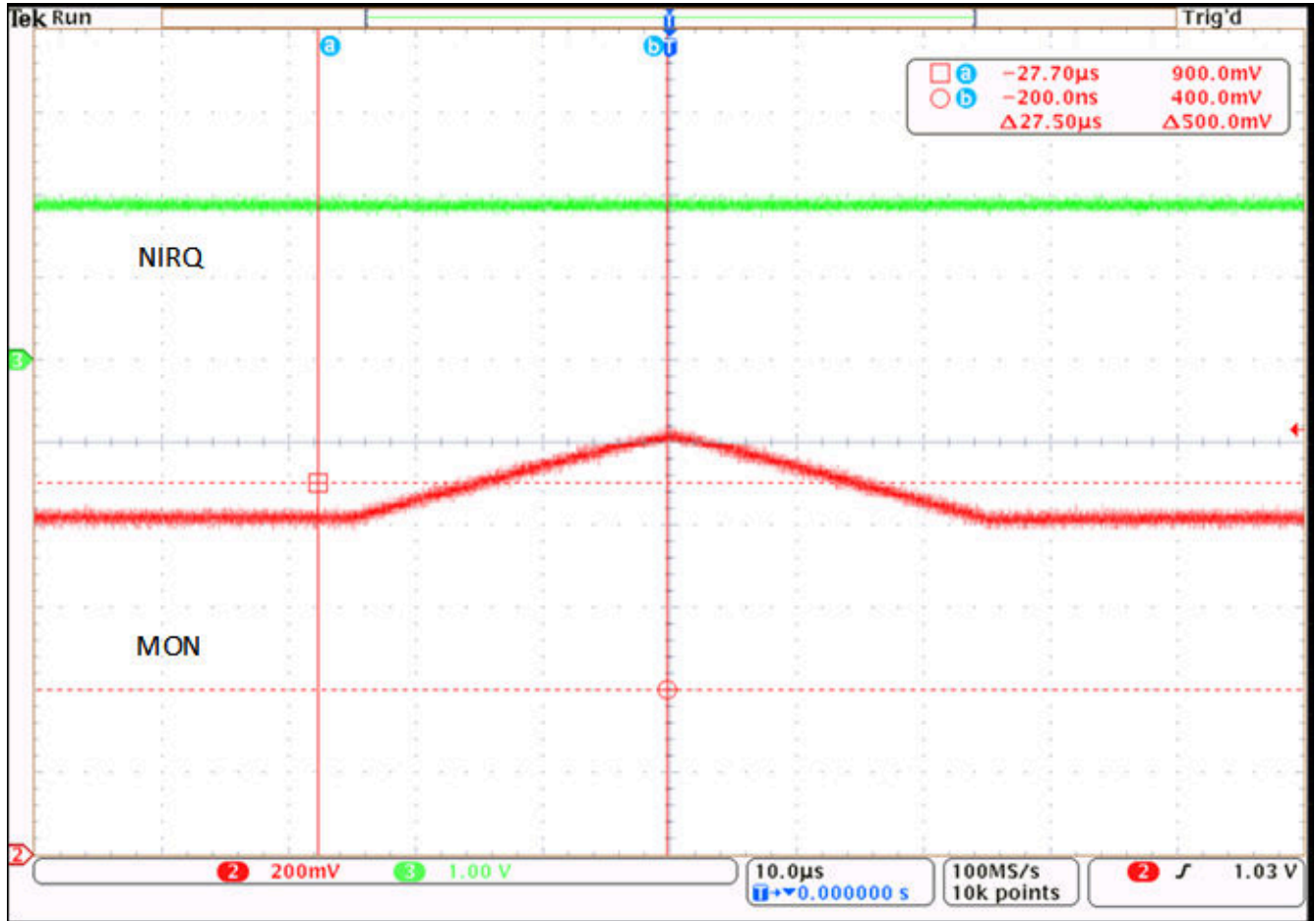


图 9-4. NIRQ Not Triggered on Overvoltage Fault with 51.2 us OV Debounce Filter

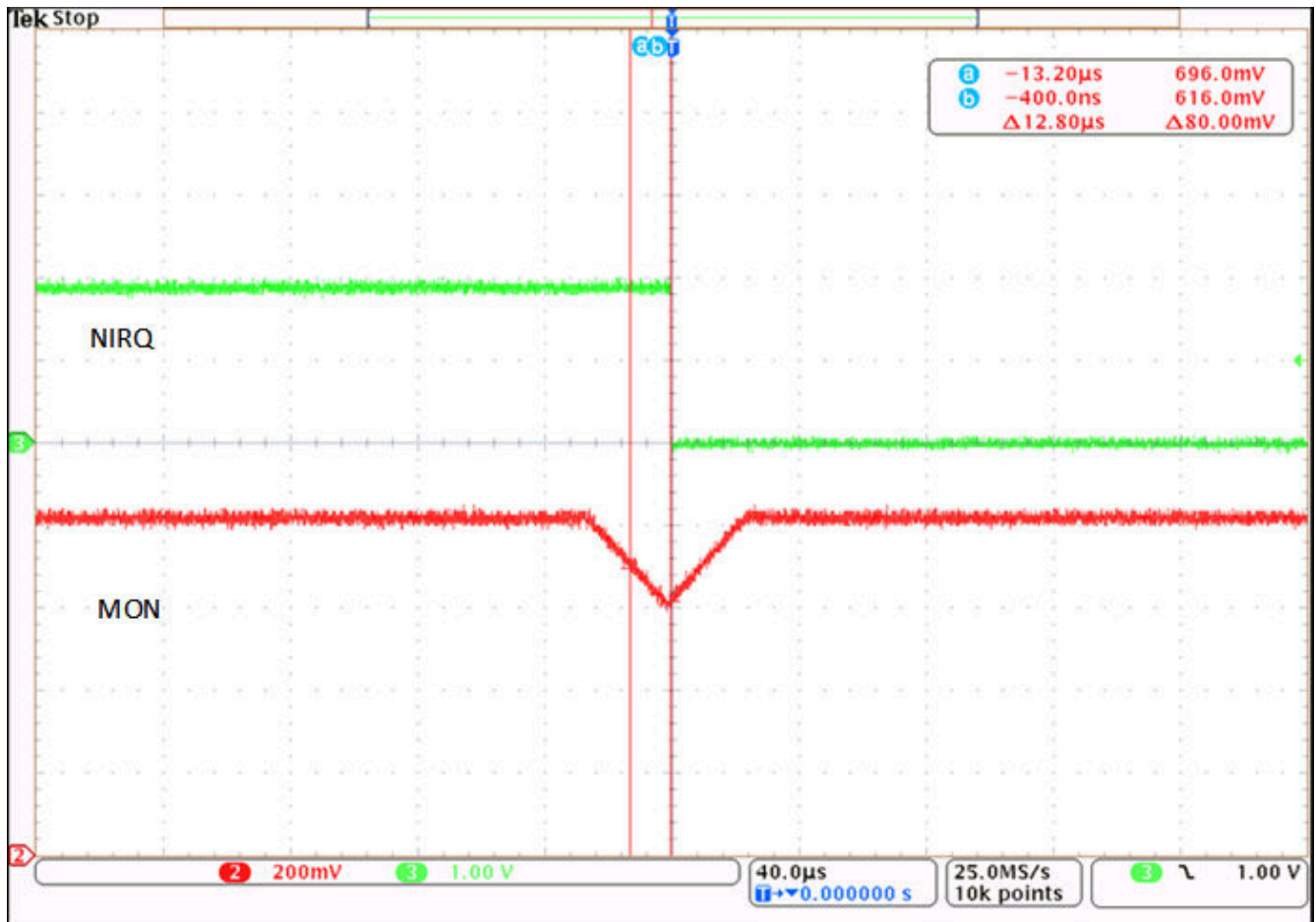


图 9-5. NIRQ Triggered on Undervoltage Fault with 12.8 us UV Debounce Filter

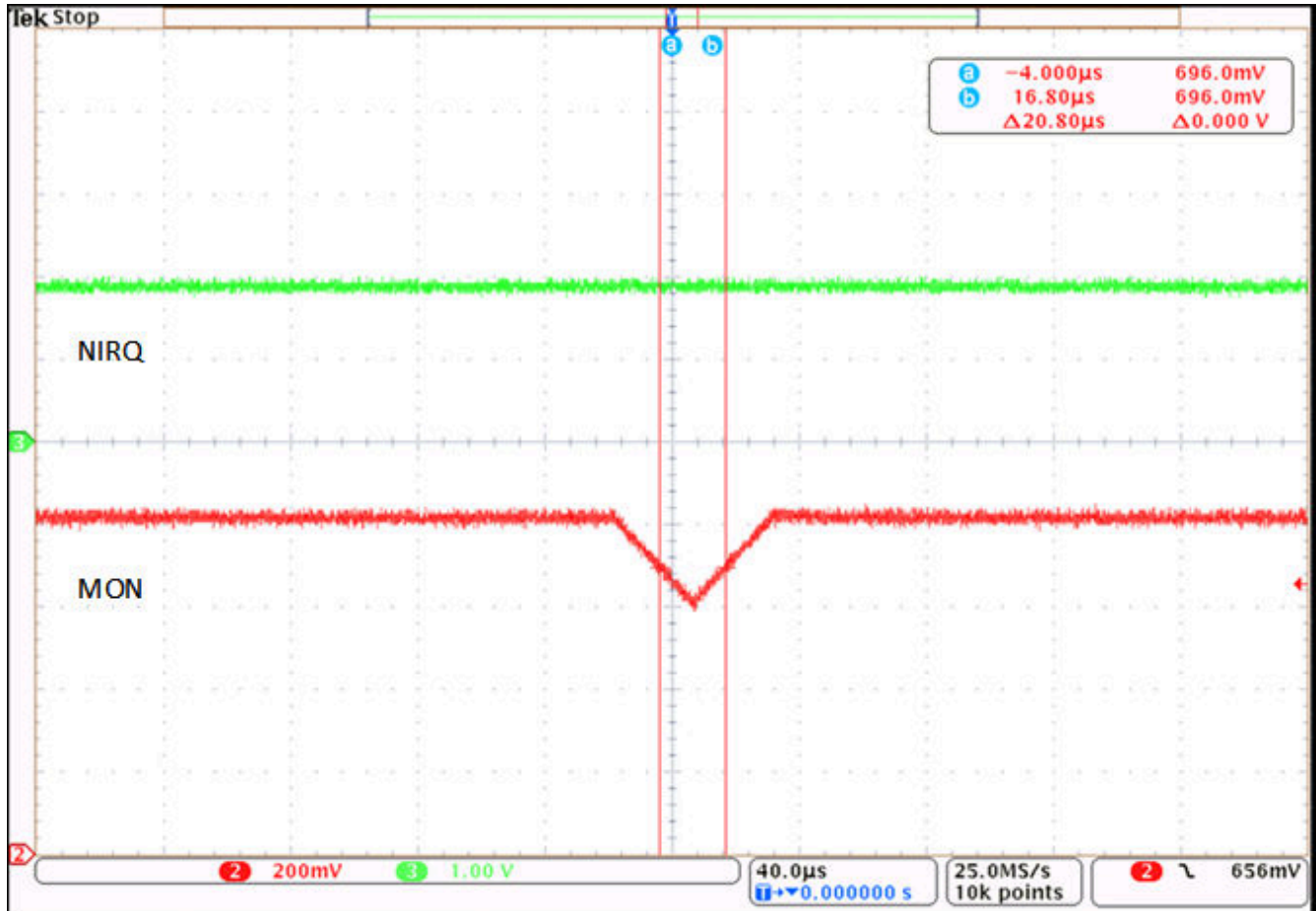
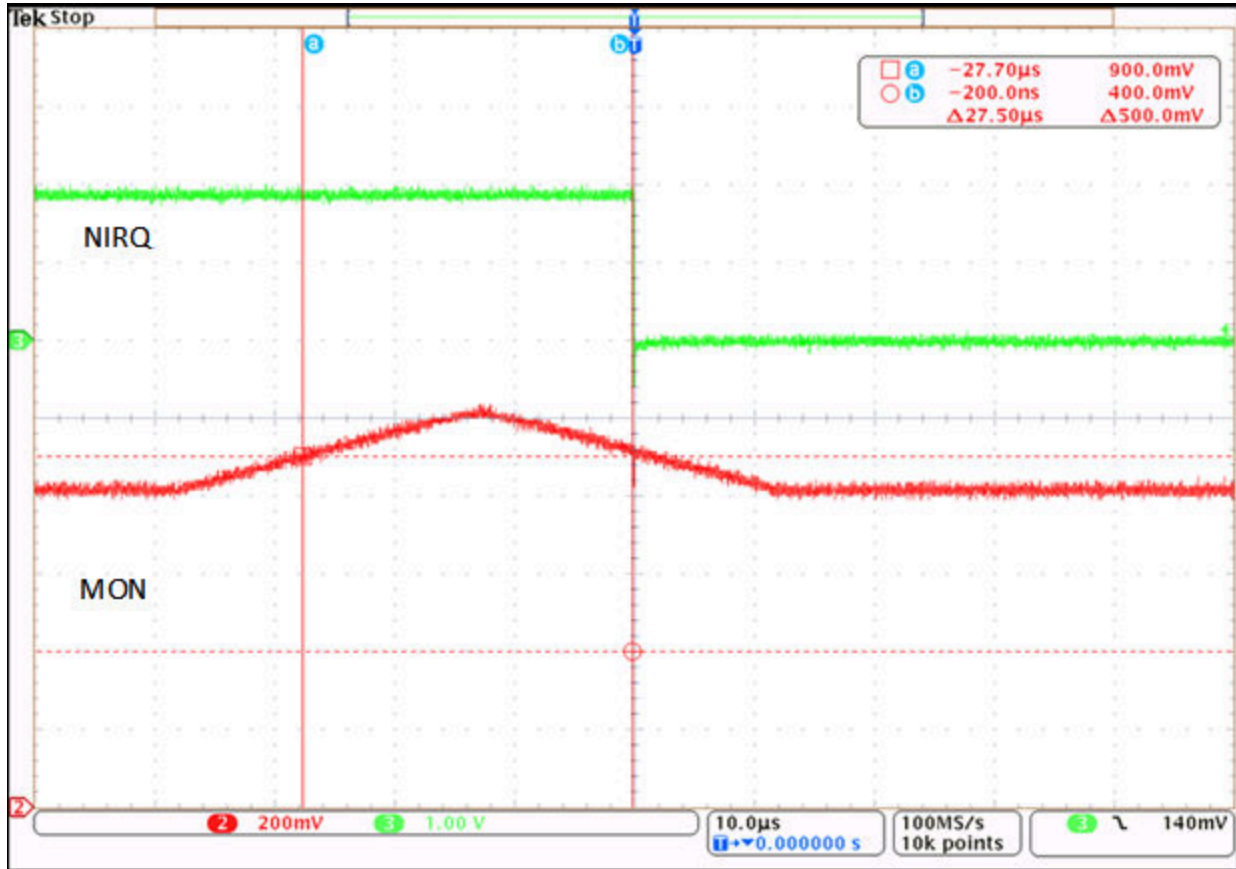


图 9-6. NIRQ Not Triggered on Undervoltage Fault with 25 us UV Debounce Filter




**9-7. NIRQ Triggered on Overvoltage Fault with 25 us OV Debounce Filter**

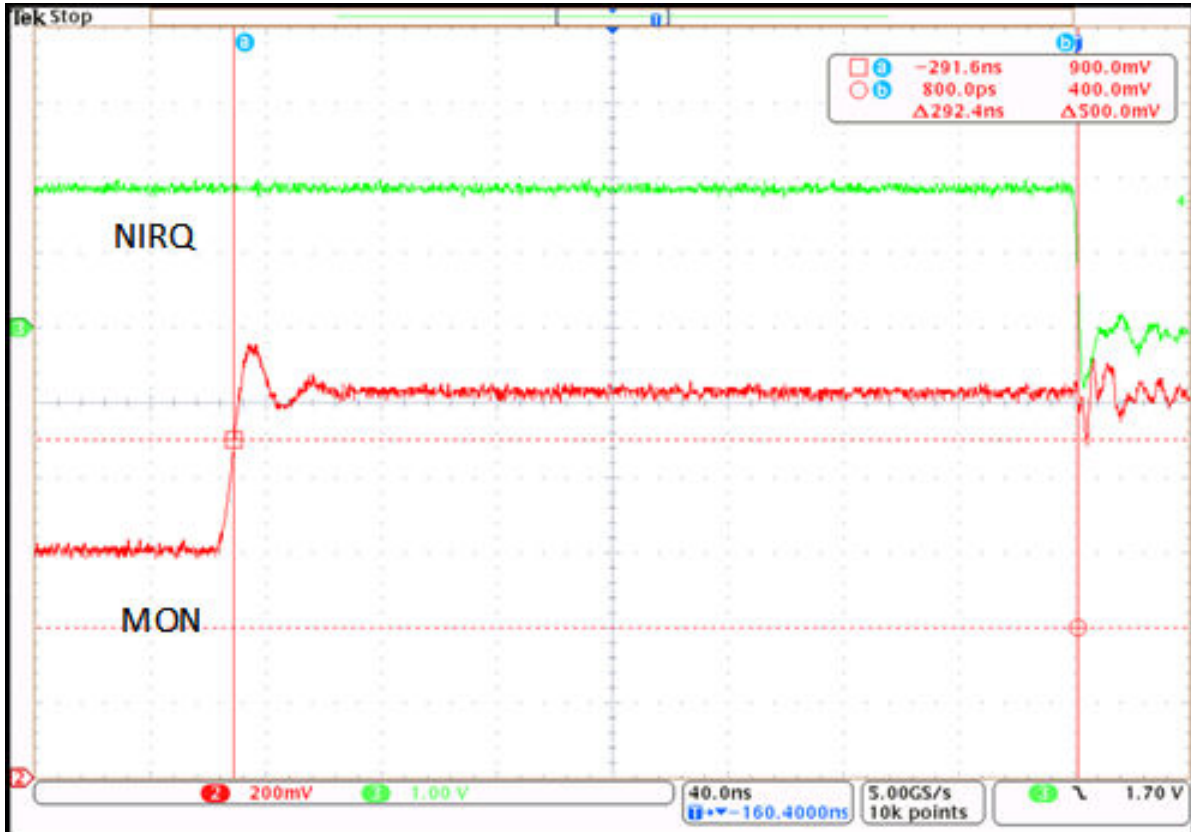


图 9-8. NIRQ Propagation Delay Resulting from Overvoltage Fault

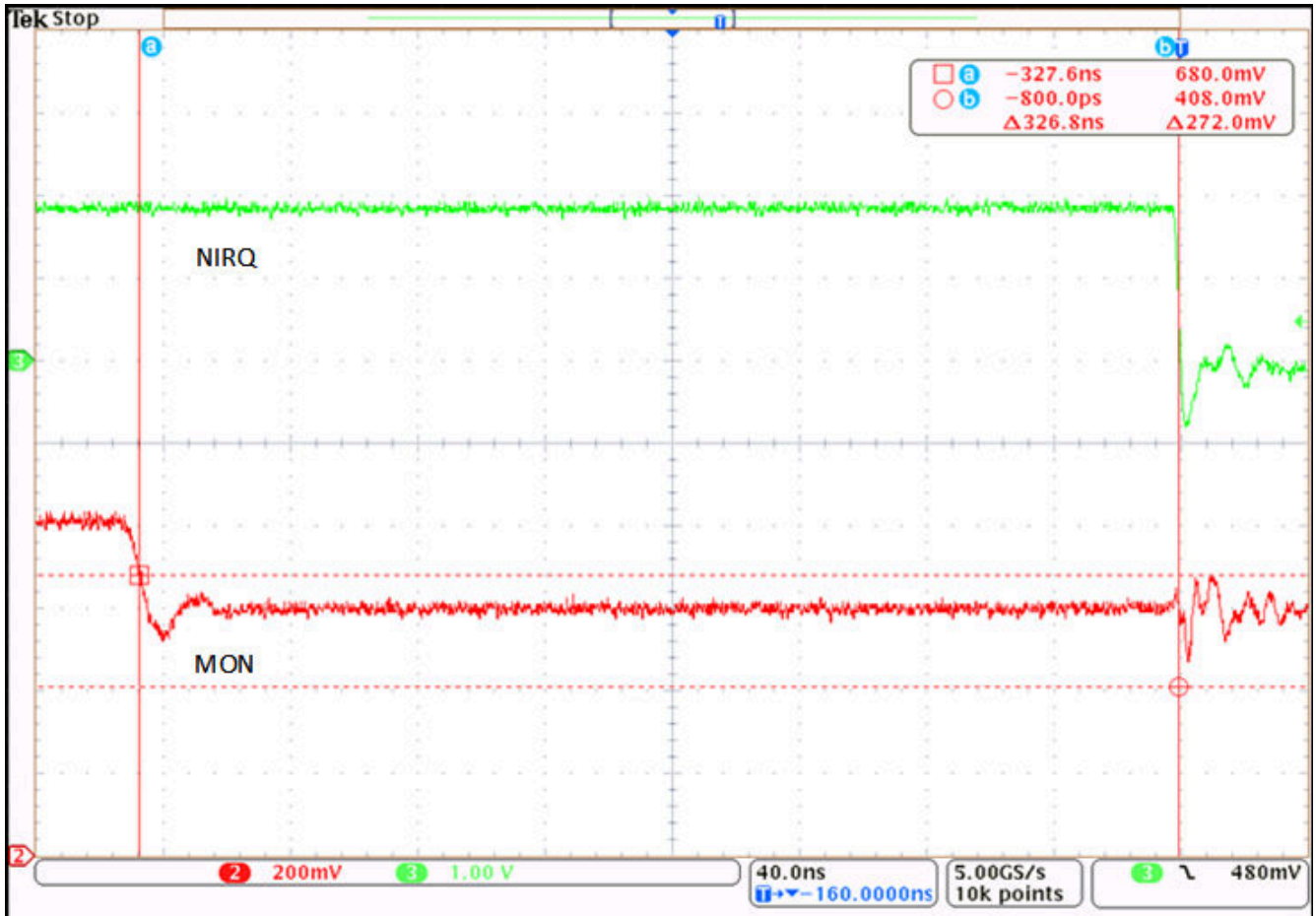


图 9-9. NIRQ Propogation Delay Resulting from Undervoltage Fault

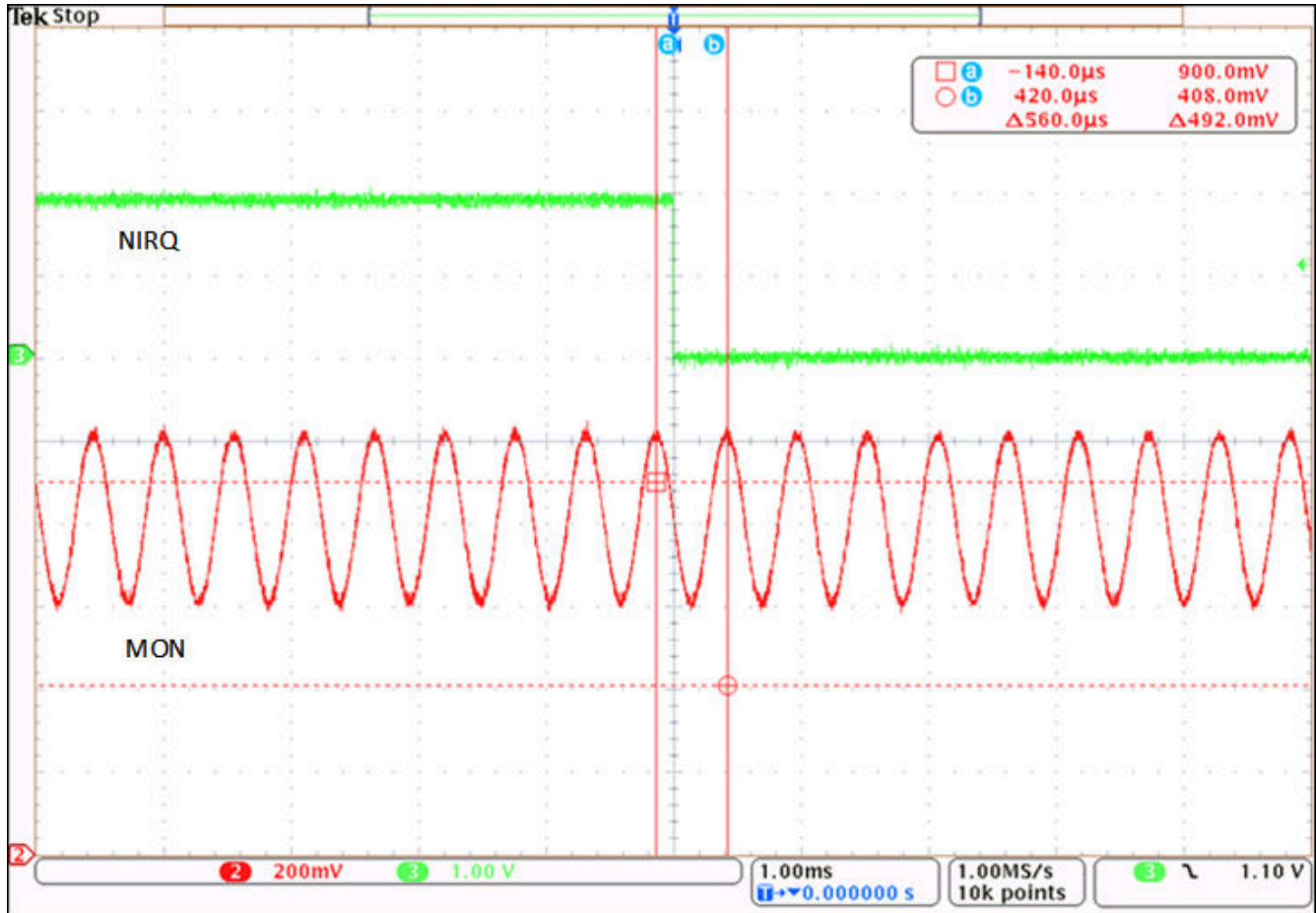


图 9-10. 1 kHz Low Pass Filter Setting. NIRQ Triggered at 1.8 kHz Signal with a 0.8 V DC Component and 200 mVp-p AC Signal. OV and UV Thresholds Set to 0.9V and 0.7V. Reduced the Frequency From 2 kHz Until the NIRQ Pin Went Low.



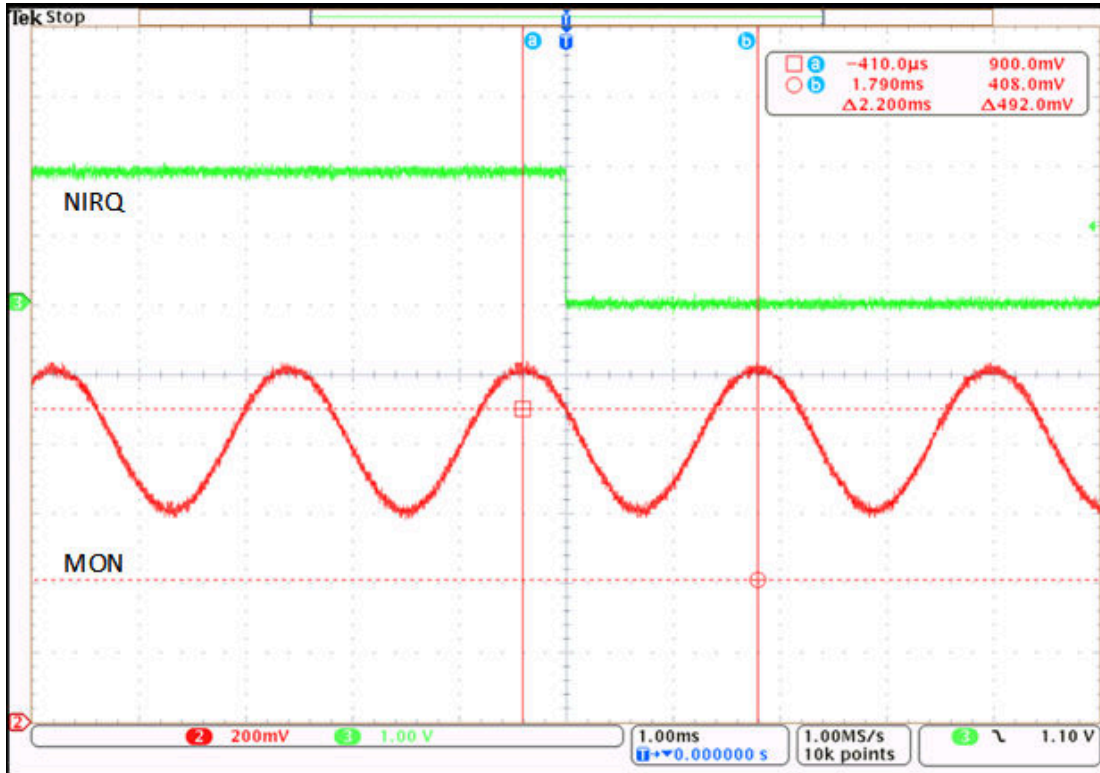


图 9-11. 250 Hz Low Pass Filter setting. NIRQ Triggered at 455 Hz Signal With a 0.8 V DC Component and 200 mVp-p AC Signal. OV and UV Thresholds Set to 0.9V and 0.7V. Reduced the Frequency From 500 Hz Until the NIRQ Pin Went Low.

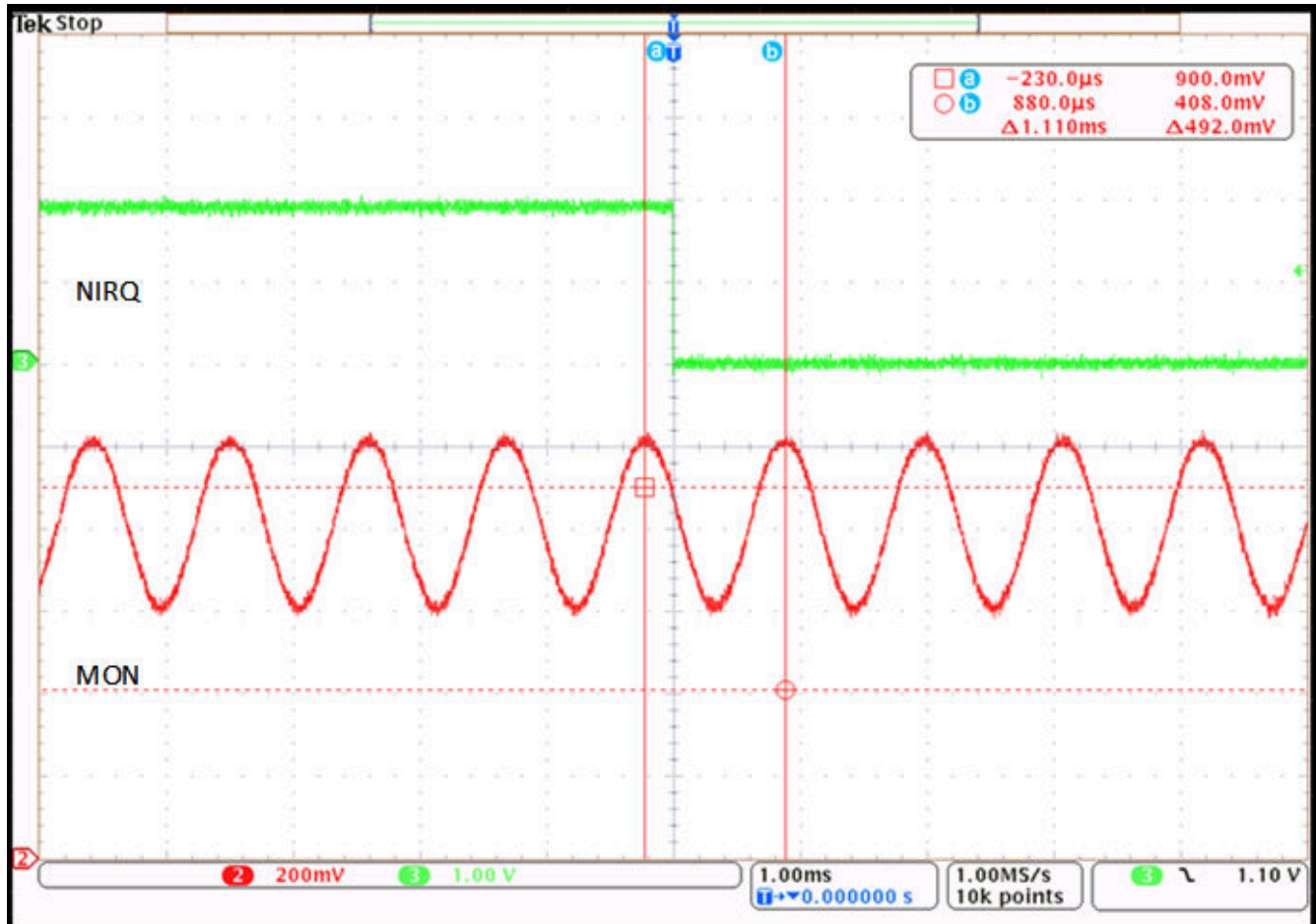


图 9-12. 500 Hz Low Pass Filter Setting. NIRQ Triggered at 0.9 kHz Signal With a 0.8 V DC Component and 200 mVp-p AC Signal. OV and UV Thresholds Set to 0.9V and 0.7V. Reduced the Frequency From 1 kHz Until the NIRQ Pin Went Low.

## 10 Power Supply Recommendations

### 10.1 Power Supply Guidelines

This device is designed to operate from an input supply with a voltage range between 2.5 V to 5.5 V. The device has a 6-V absolute maximum rating on the VDD pin. Good analog practice is to place a 0.1- $\mu$ F to 1- $\mu$ F capacitor between the VDD pin and the GND pin depending on the input voltage supply noise. If the voltage supply providing power to VDD is susceptible to any large voltage transient that exceed maximum specifications, additional precautions must be taken. See [SNVA849](#) for more information.

## 11 Layout

### 11.1 Layout Guidelines

- Place the external components as close to the device as possible. This configuration prevents parasitic errors from occurring.
- Avoid using long traces for the VDD supply node. The VDD capacitor, along with parasitic inductance from the supply to the capacitor, can form an LC circuit and create ringing with peak voltages above the maximum VDD voltage.
- Avoid using long traces of voltage to the MON pin. Long traces increase parasitic inductance and cause inaccurate monitoring and diagnostics.
- If differential voltage sensing is required for MON1 and/or MON2, route RS\_1/2 pin to the point of measurement
- Do not run sensitive analog traces in parallel with digital traces. Avoid crossing digital and analog traces if possible, and only make perpendicular crossings when absolutely necessary.

### 11.2 Layout Example

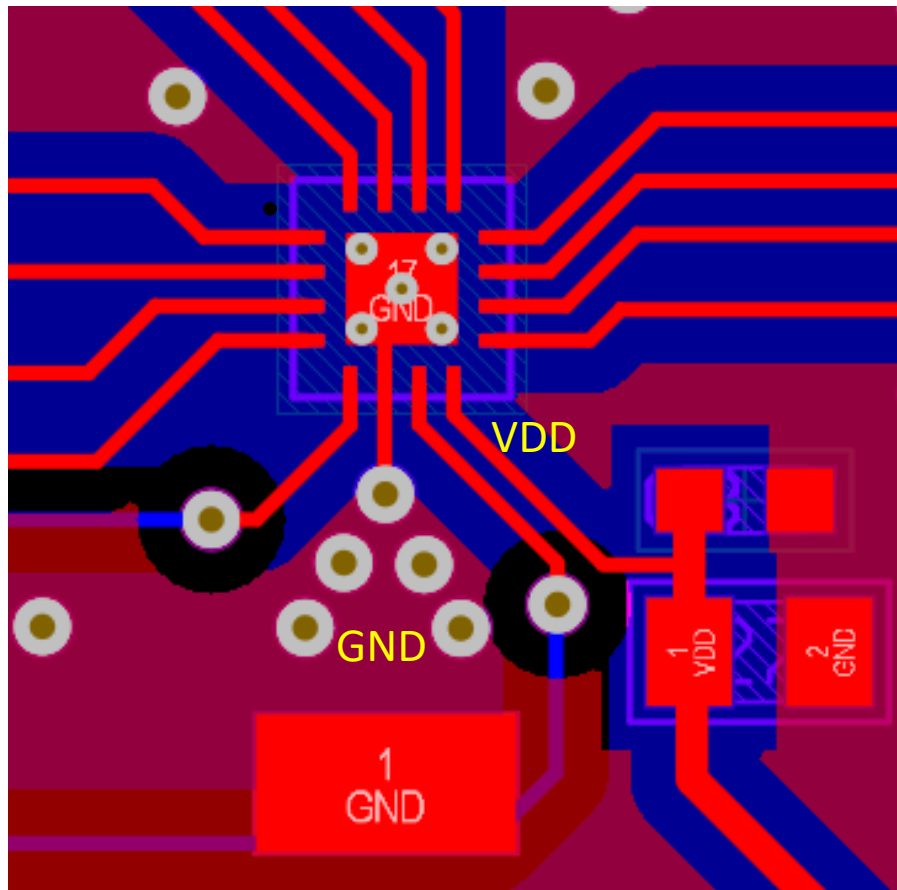


图 11-1. Recommended Layout

## 12 Device and Documentation Support

### 12.1 Device Nomenclature

表 12-1 和 表 12-2 show how to decode the function of the device based on its part number.

**表 12-1. Device Thresholds**

ORDERING CODE	Thresholds	VMON1 (V)	VMON2 (V)	VMON3 (V)	VMON4 (V)	VMON5 (V)	VMON6 (V)
TPS38900603NRTERQ1	UV_HF/OV_HF	0.2/1.475	0.2/1.475	0.2/1.475	0.2/1.475	0.2/1.475	0.2/1.475
	UV_LF/OV_LF	0.2/1.475	0.2/1.475	0.2/1.475	0.2/1.475	0.2/1.475	0.2/1.475
TPS389006004RTERQ1	UV_HF/OV_HF	0.5/1.0	0.75/0.85	1.68/1.92	1.68/1.92	1.68/1.92	3.1/3.5
	UV_LF/OV_LF	0.5/1.0	0.75/0.85	1.68/1.92	1.68/1.92	1.68/1.92	3.1/3.5
TPS389006ADJRTERQ1	UV_HF/OV_HF	0.47/0.53	0.47/0.53	0.66/0.74	0.66/0.74	0.66/0.74	0.66/0.74
	UV_LF/OV_LF	0.5/0.7	0.5/0.7	0.5/0.7	0.5/0.7	0.5/0.7	0.5/0.7
TPS389006007RTERQ1	UV_HF/OV_HF	1.4/2.1	1.4/2.1	1.4/2.1	1.4/2.1	1.4/2.1	1.4/2.1
	UV_LF/OV_LF	1.4/2.1	1.4/2.1	1.4/2.1	1.4/2.1	1.4/2.1	1.4/2.1

**表 12-2. Device Configuration Table**

ORDERING CODE	FUNCTIONS	SCALING	OV/UV DEBOUNCE	LF CUTOFF	I <sup>2</sup> C ADDRESS	BIST	SEQ TIMEOUT	PEC <sup>(1)</sup>	I <sup>2</sup> C PULL-UP VOLTAGE (V)	ACT/SLEEP
TPS38900603NRTERQ1	Monitor LF/HF	1/1/1/1/1/1	0.1 μ sec	1kHz	Resistor strap	at POR	50ms	Enable	3.3	Edge Triggered
TPS389006004RTERQ1	Monitor LF/HF	1/1/4/4/4/4	25.6 μ sec	1kHz	Resistor strap	at POR	15ms	Disable	3.3	Level
TPS389006ADJRTERQ1	Monitor LF/HF	1/1/1/1/1/1	102.4 μ sec	1kHz	Resistor strap	at POR	25ms	Disable	3.3	Level
TPS389006007RTERQ1	Monitor LF/HF	4/4/4/4/4/4	25.6 μ sec	1kH	Resistor Strap	At POR	100ms	Disable	3.3	Level

(1) For parts with PEC enabled:

- a. PEC calculation is based on initializing to 0x00.
- b. In case of a PEC violation there needs to be a subsequent I<sup>2</sup>C transaction before NIRQ is asserted.
- c. If incorrect PEC is given it will assert NIRQ.
- d. If there is an extra byte after successfully writing the correct PEC byte, NIRQ will be asserted and the write will fail.

## 12.2 Documentation Support

### 12.3 接收文档更新通知

要接收文档更新通知，请导航至 [ti.com](https://www.ti.com) 上的器件产品文件夹。点击 [订阅更新](#) 进行注册，即可每周接收产品信息更改摘要。有关更改的详细信息，请查看任何已修订文档中包含的修订历史记录。

### 12.4 支持资源

[TI E2E™ 支持论坛](#) 是工程师的重要参考资料，可直接从专家获得快速、经过验证的解答和设计帮助。搜索现有解答或提出自己的问题可获得所需的快速设计帮助。

链接的内容由各个贡献者“按原样”提供。这些内容并不构成 TI 技术规范，并且不一定反映 TI 的观点；请参阅 TI 的《[使用条款](#)》。

### 12.5 Trademarks

TI E2E™ is a trademark of Texas Instruments.

所有商标均为其各自所有者的财产。

### 12.6 静电放电警告



静电放电 (ESD) 会损坏这个集成电路。德州仪器 (TI) 建议通过适当的预防措施处理所有集成电路。如果不遵守正确的处理和安装程序，可能会损坏集成电路。

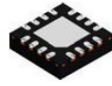
ESD 的损坏小至导致微小的性能降级，大至整个器件故障。精密的集成电路可能更容易受到损坏，这是因为非常细微的参数更改都可能会导致器件与其发布的规格不相符。

### 12.7 术语表

[TI 术语表](#) 本术语表列出并解释了术语、首字母缩略词和定义。

## 13 Mechanical, Packaging, and Orderable Information

The following pages include mechanical, packaging, and orderable information. This information is the most current data available for the designated devices. This data is subject to change without notice and revision of this document. For browser-based versions of this data sheet, refer to the left-hand navigation.

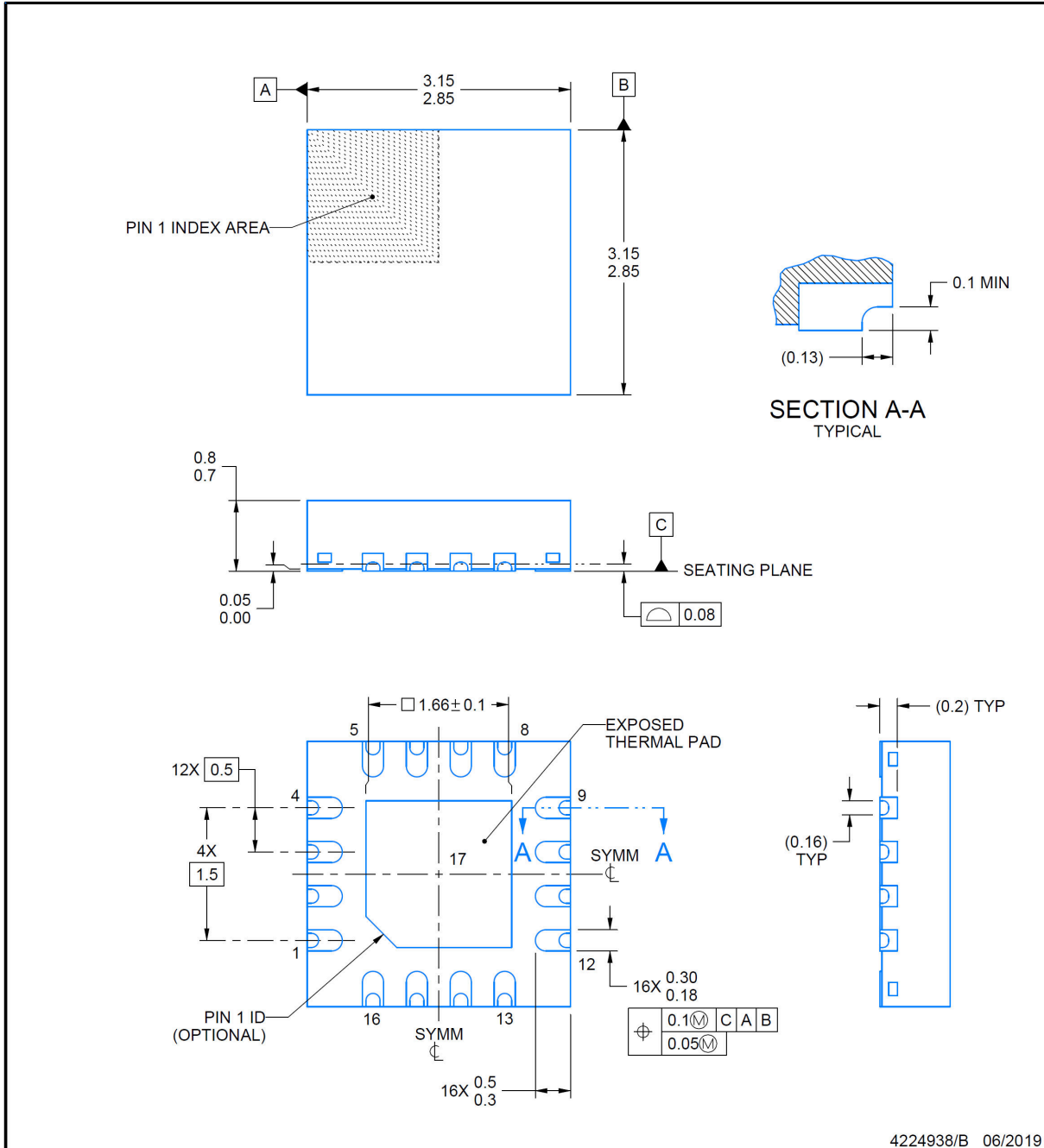


**RTE0016K**

**PACKAGE OUTLINE**

**WQFN - 0.8 mm max height**

PLASTIC QUAD FLATPACK - NO LEAD



**NOTES:**

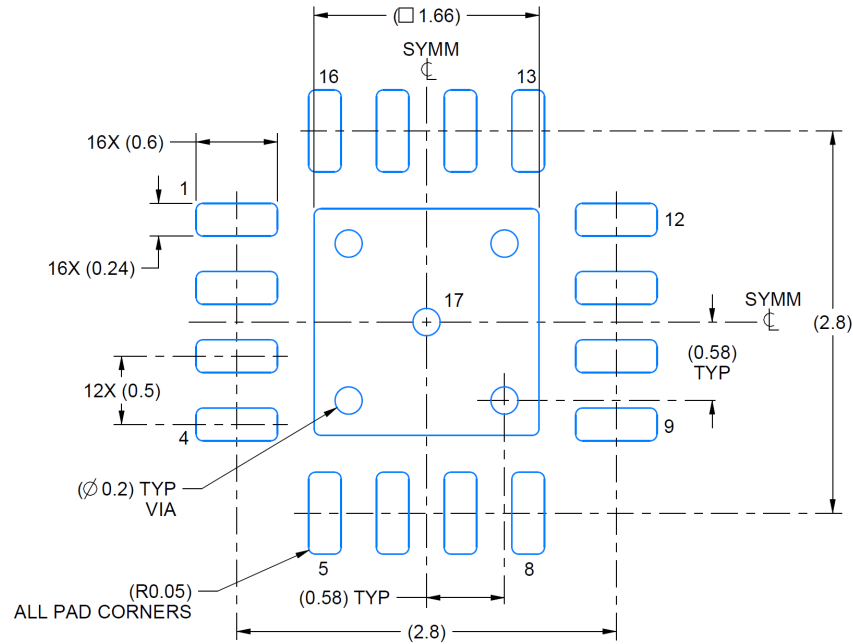
1. All linear dimensions are in millimeters. Any dimensions in parenthesis are for reference only. Dimensioning and tolerancing per ASME Y14.5M.
2. This drawing is subject to change without notice.
3. The package thermal pad must be soldered to the printed circuit board for thermal and mechanical performance.

## EXAMPLE BOARD LAYOUT

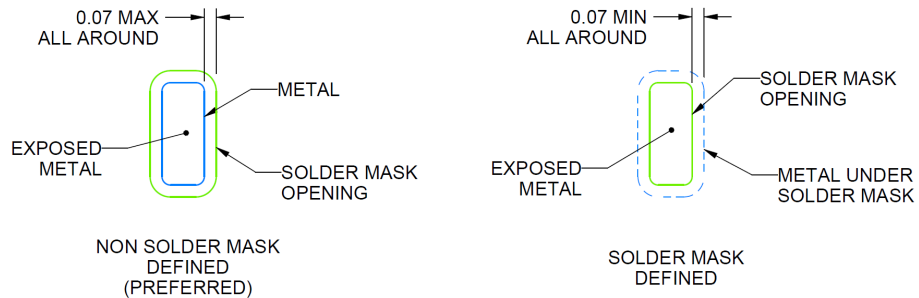
**RTE0016K**

**WQFN - 0.8 mm max height**

PLASTIC QUAD FLATPACK - NO LEAD



LAND PATTERN EXAMPLE  
EXPOSED METAL SHOWN  
SCALE:20X



SOLDER MASK DETAILS

4224938/B 06/2019

NOTES: (continued)

- This package is designed to be soldered to a thermal pad on the board. For more information, see Texas Instruments literature number SLUA271 ([www.ti.com/lit/slua271](http://www.ti.com/lit/slua271)).
- Vias are optional depending on application, refer to device data sheet. If any vias are implemented, refer to their locations shown on this view. It is recommended that vias under paste be filled, plugged or tented.

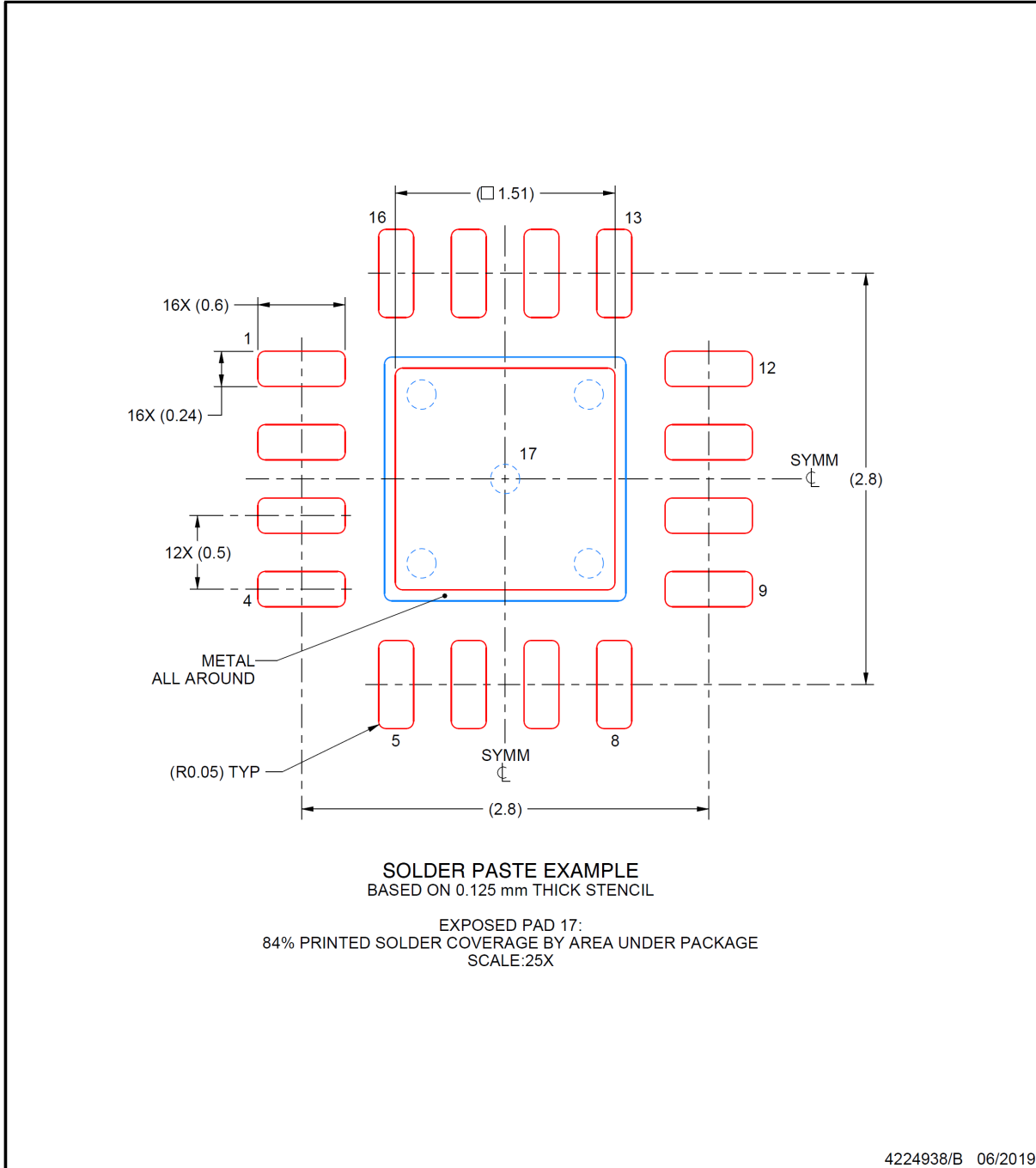


## EXAMPLE STENCIL DESIGN

**RTE0016K**

**WQFN - 0.8 mm max height**

PLASTIC QUAD FLATPACK - NO LEAD



NOTES: (continued)

6. Laser cutting apertures with trapezoidal walls and rounded corners may offer better paste release. IPC-7525 may have alternate design recommendations.

**PACKAGING INFORMATION**

Orderable Device	Status (1)	Package Type	Package Drawing	Pins	Package Qty	Eco Plan (2)	Lead finish/ Ball material (6)	MSL Peak Temp (3)	Op Temp (°C)	Device Marking (4/5)	Samples
TPS389006004RTERQ1	ACTIVE	WQFN	RTE	16	3000	RoHS & Green	NIPDAU	Level-2-260C-1 YEAR		6004Q	<a href="#">Samples</a>
TPS38900603NRTERQ1	ACTIVE	WQFN	RTE	16	3000	RoHS & Green	NIPDAU	Level-2-260C-1 YEAR	-40 to 125	0603Q	<a href="#">Samples</a>
TPS389006ADJRTERQ1	ACTIVE	WQFN	RTE	16	3000	RoHS & Green	NIPDAU	Level-2-260C-1 YEAR	-40 to 125	6ADJQ	<a href="#">Samples</a>

(1) The marketing status values are defined as follows:

**ACTIVE:** Product device recommended for new designs.

**LIFEBUY:** TI has announced that the device will be discontinued, and a lifetime-buy period is in effect.

**NRND:** Not recommended for new designs. Device is in production to support existing customers, but TI does not recommend using this part in a new design.

**PREVIEW:** Device has been announced but is not in production. Samples may or may not be available.

**OBSOLETE:** TI has discontinued the production of the device.

(2) **RoHS:** TI defines "RoHS" to mean semiconductor products that are compliant with the current EU RoHS requirements for all 10 RoHS substances, including the requirement that RoHS substance do not exceed 0.1% by weight in homogeneous materials. Where designed to be soldered at high temperatures, "RoHS" products are suitable for use in specified lead-free processes. TI may reference these types of products as "Pb-Free".

**RoHS Exempt:** TI defines "RoHS Exempt" to mean products that contain lead but are compliant with EU RoHS pursuant to a specific EU RoHS exemption.

**Green:** TI defines "Green" to mean the content of Chlorine (Cl) and Bromine (Br) based flame retardants meet JS709B low halogen requirements of <=1000ppm threshold. Antimony trioxide based flame retardants must also meet the <=1000ppm threshold requirement.

(3) MSL, Peak Temp. - The Moisture Sensitivity Level rating according to the JEDEC industry standard classifications, and peak solder temperature.

(4) There may be additional marking, which relates to the logo, the lot trace code information, or the environmental category on the device.

(5) Multiple Device Markings will be inside parentheses. Only one Device Marking contained in parentheses and separated by a "~" will appear on a device. If a line is indented then it is a continuation of the previous line and the two combined represent the entire Device Marking for that device.

(6) Lead finish/Ball material - Orderable Devices may have multiple material finish options. Finish options are separated by a vertical ruled line. Lead finish/Ball material values may wrap to two lines if the finish value exceeds the maximum column width.

**Important Information and Disclaimer:**The information provided on this page represents TI's knowledge and belief as of the date that it is provided. TI bases its knowledge and belief on information provided by third parties, and makes no representation or warranty as to the accuracy of such information. Efforts are underway to better integrate information from third parties. TI has taken and continues to take reasonable steps to provide representative and accurate information but may not have conducted destructive testing or chemical analysis on incoming materials and chemicals. TI and TI suppliers consider certain information to be proprietary, and thus CAS numbers and other limited information may not be available for release.

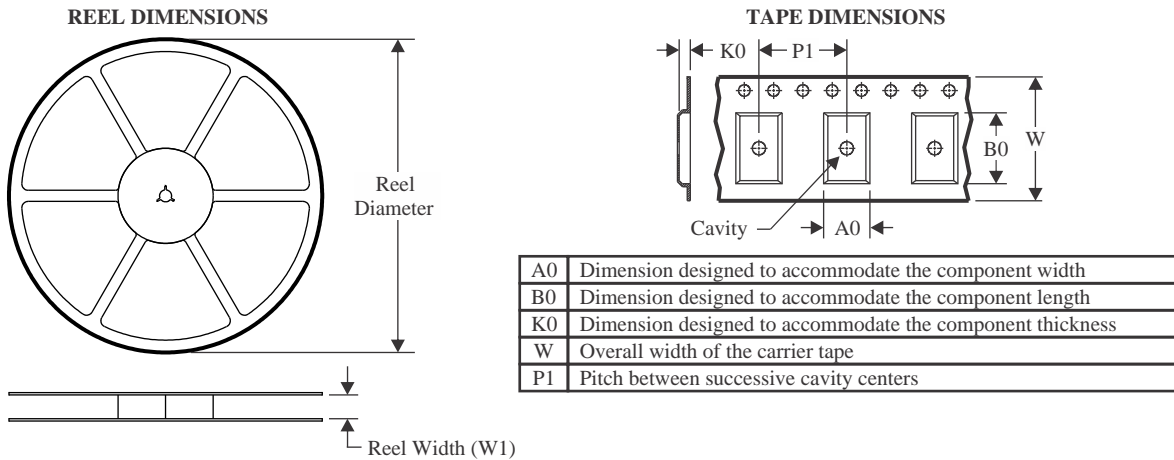
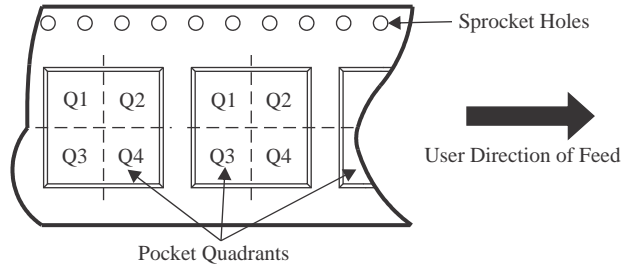
In no event shall TI's liability arising out of such information exceed the total purchase price of the TI part(s) at issue in this document sold by TI to Customer on an annual basis.

**OTHER QUALIFIED VERSIONS OF TPS389006-Q1 :**

- Catalog : [TPS389006](#)

NOTE: Qualified Version Definitions:

- Catalog - TI's standard catalog product

**TAPE AND REEL INFORMATION**

**QUADRANT ASSIGNMENTS FOR PIN 1 ORIENTATION IN TAPE**


\*All dimensions are nominal

Device	Package Type	Package Drawing	Pins	SPQ	Reel Diameter (mm)	Reel Width W1 (mm)	A0 (mm)	B0 (mm)	K0 (mm)	P1 (mm)	W (mm)	Pin1 Quadrant
TPS389006004RTERQ1	WQFN	RTE	16	3000	330.0	12.4	3.3	3.3	1.1	8.0	12.0	Q2
TPS38900603NRTERQ1	WQFN	RTE	16	3000	330.0	12.4	3.3	3.3	1.1	8.0	12.0	Q2
TPS389006ADJRTERQ1	WQFN	RTE	16	3000	330.0	12.4	3.3	3.3	1.1	8.0	12.0	Q2

## TAPE AND REEL BOX DIMENSIONS



\*All dimensions are nominal

Device	Package Type	Package Drawing	Pins	SPQ	Length (mm)	Width (mm)	Height (mm)
TPS389006004RTERQ1	WQFN	RTE	16	3000	367.0	367.0	35.0
TPS38900603NRTERQ1	WQFN	RTE	16	3000	367.0	367.0	35.0
TPS389006ADJRTERQ1	WQFN	RTE	16	3000	367.0	367.0	35.0

## GENERIC PACKAGE VIEW

**RTE 16**

**WQFN - 0.8 mm max height**

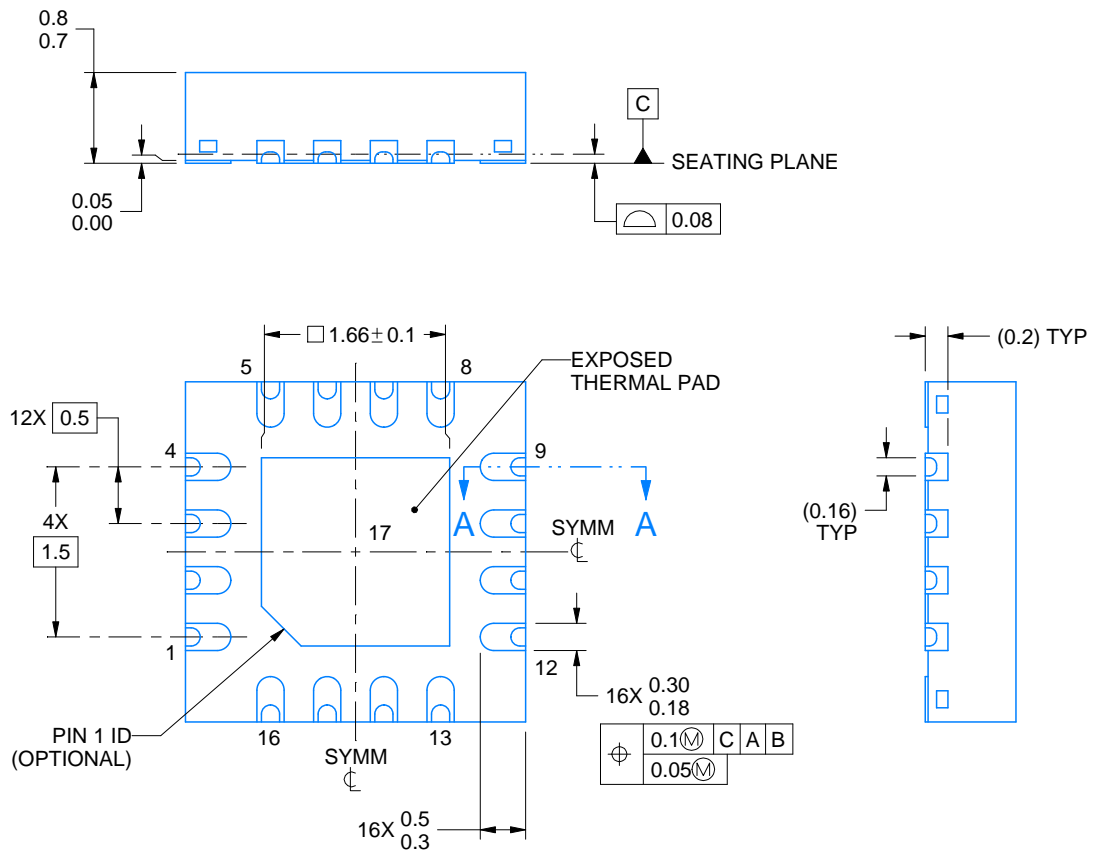
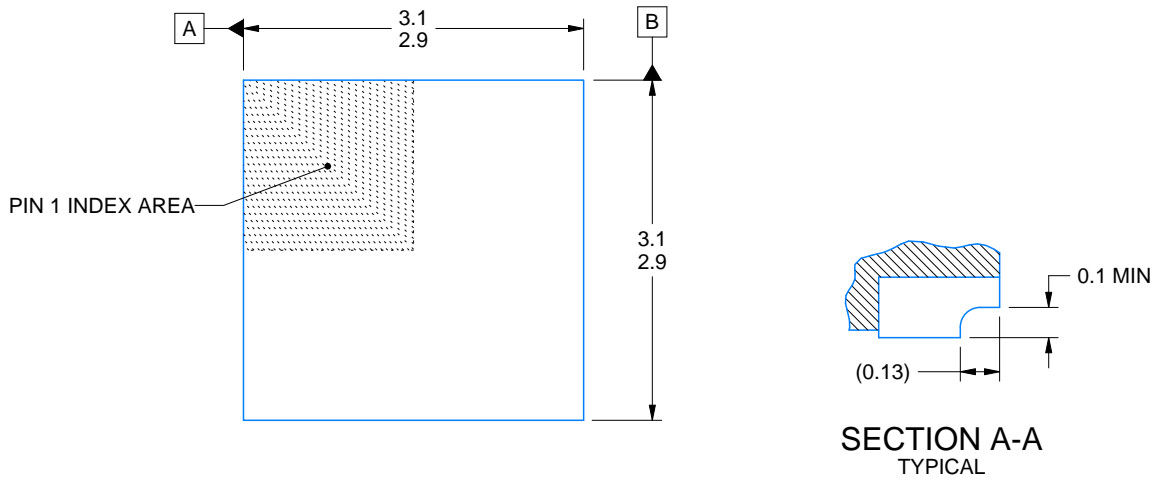
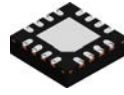
3 x 3, 0.5 mm pitch

PLASTIC QUAD FLATPACK - NO LEAD

This image is a representation of the package family, actual package may vary.  
Refer to the product data sheet for package details.



4225944/A



4224938/C 03/2022

NOTES:

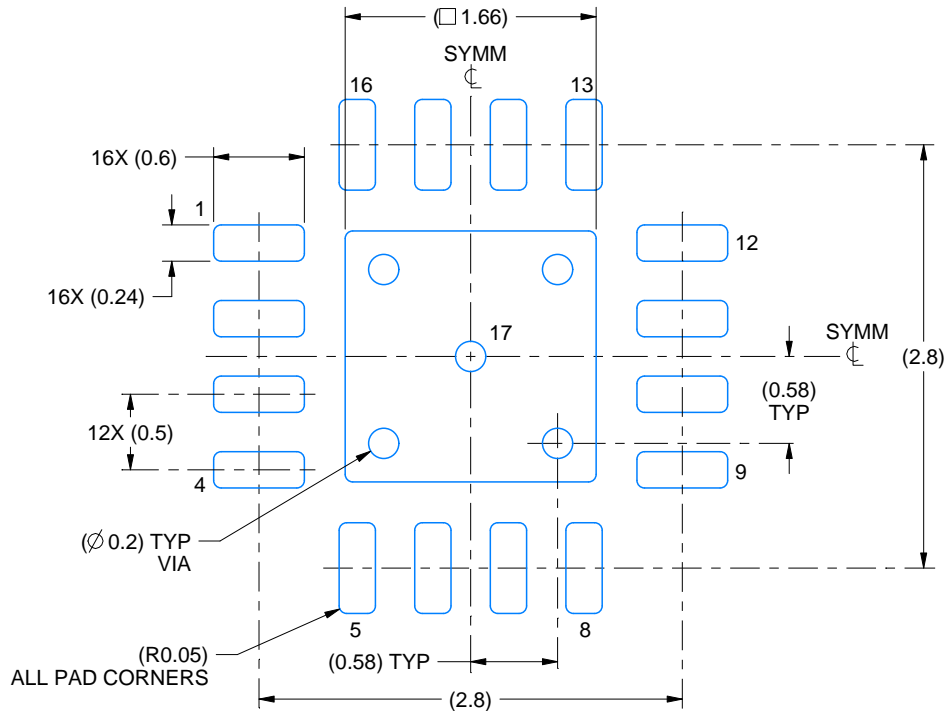
1. All linear dimensions are in millimeters. Any dimensions in parenthesis are for reference only. Dimensioning and tolerancing per ASME Y14.5M.
2. This drawing is subject to change without notice.
3. The package thermal pad must be soldered to the printed circuit board for thermal and mechanical performance.

# EXAMPLE BOARD LAYOUT

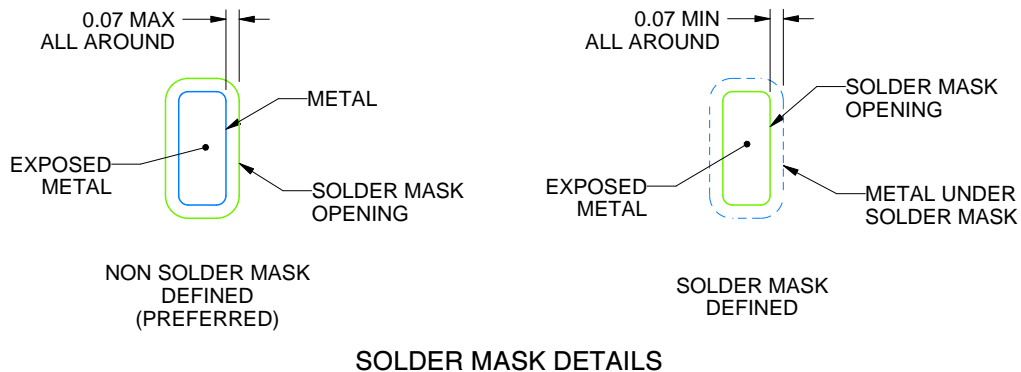
RTE0016K

WQFN - 0.8 mm max height

PLASTIC QUAD FLATPACK - NO LEAD



LAND PATTERN EXAMPLE  
EXPOSED METAL SHOWN  
SCALE:20X



4224938/C 03/2022

NOTES: (continued)

- This package is designed to be soldered to a thermal pad on the board. For more information, see Texas Instruments literature number SLUA271 ([www.ti.com/lit/slua271](http://www.ti.com/lit/slua271)).
- Vias are optional depending on application, refer to device data sheet. If any vias are implemented, refer to their locations shown on this view. It is recommended that vias under paste be filled, plugged or tented.

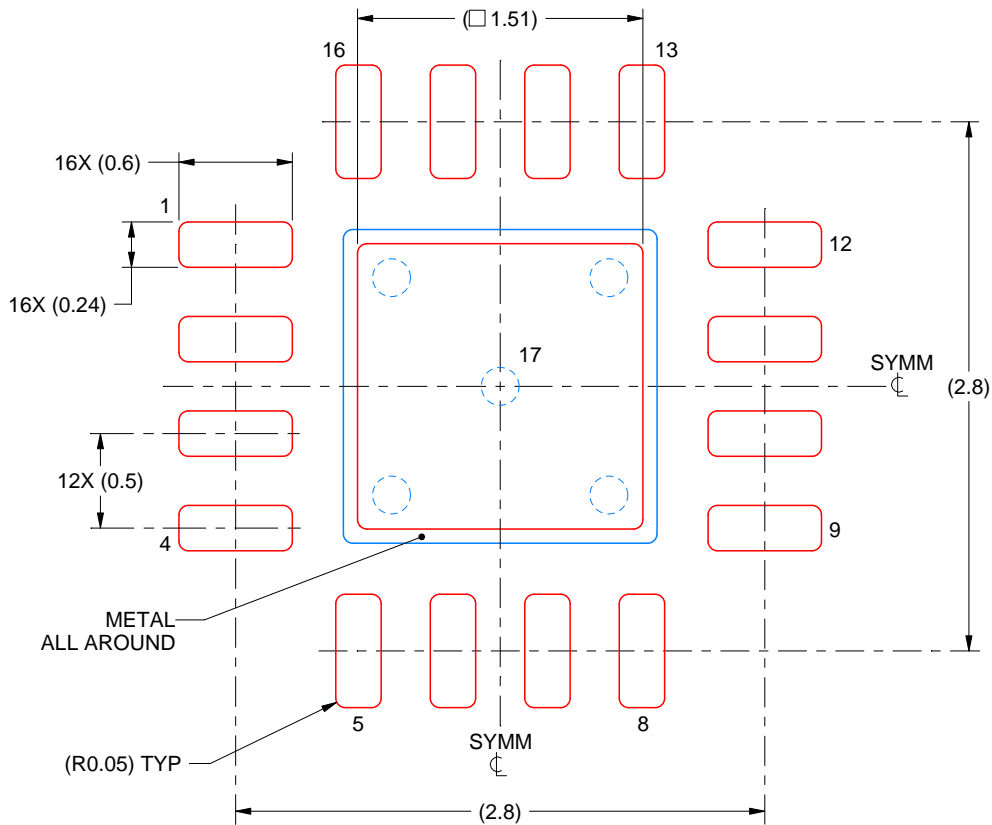


# EXAMPLE STENCIL DESIGN

RTE0016K

WQFN - 0.8 mm max height

PLASTIC QUAD FLATPACK - NO LEAD



**SOLDER PASTE EXAMPLE**  
BASED ON 0.125 mm THICK STENCIL

EXPOSED PAD 17:  
84% PRINTED SOLDER COVERAGE BY AREA UNDER PACKAGE  
SCALE:25X

4224938/C 03/2022

NOTES: (continued)

6. Laser cutting apertures with trapezoidal walls and rounded corners may offer better paste release. IPC-7525 may have alternate design recommendations.

## 重要声明和免责声明

TI“按原样”提供技术和可靠性数据（包括数据表）、设计资源（包括参考设计）、应用或其他设计建议、网络工具、安全信息和其他资源，不保证没有瑕疵且不做任何明示或暗示的担保，包括但不限于对适销性、某特定用途方面的适用性或不侵犯任何第三方知识产权的暗示担保。

这些资源可供使用 TI 产品进行设计的熟练开发人员使用。您将自行承担以下全部责任：(1) 针对您的应用选择合适的 TI 产品，(2) 设计、验证并测试您的应用，(3) 确保您的应用满足相应标准以及任何其他功能安全、信息安全、监管或其他要求。

这些资源如有变更，恕不另行通知。TI 授权您仅可将这些资源用于研发本资源所述的 TI 产品的应用。严禁对这些资源进行其他复制或展示。您无权使用任何其他 TI 知识产权或任何第三方知识产权。您应全额赔偿因在这些资源的使用中对 TI 及其代表造成的任何索赔、损害、成本、损失和债务，TI 对此概不负责。

TI 提供的产品受 [TI 的销售条款](#) 或 [ti.com](#) 上其他适用条款/TI 产品随附的其他适用条款的约束。TI 提供这些资源并不会扩展或以其他方式更改 TI 针对 TI 产品发布的适用的担保或担保免责声明。

TI 反对并拒绝您可能提出的任何其他或不同的条款。

邮寄地址：Texas Instruments, Post Office Box 655303, Dallas, Texas 75265

Copyright © 2023，德州仪器 (TI) 公司

## X-ON Electronics

Largest Supplier of Electrical and Electronic Components

*Click to view similar products for [Supervisory Circuits](#) category:*

*Click to view products by [Texas Instruments](#) manufacturer:*

Other Similar products are found below :

[CAT853STBI-T3](#) [RT9818C-27GU3](#) [DS1232L](#) [NCV302HSN45T1G](#) [STM6710FWB7F](#) [PT7M6127NLTA3EX](#) [XC6118C25AGR-G](#)  
[ISL88011IH526Z-TK](#) [ISL88013IH529Z-TK](#) [ISL88705IP846Z](#) [ISL88706IP831Z](#) [ISL88708IB844Z](#) [ISL88708IP831Z](#) [TCM811MERCTR](#)  
[X40420S14-A](#) [X40421S14-C](#) [X40430S14-A](#) [X40430S14I-A](#) [X40430S14I-B](#) [X40431S14-A](#) [X40431S14-B](#) [X40431S14-C](#) [X40431S14I-A](#)  
[X40431S14I-B](#) [X40431S14I-C](#) [X4043P-2.7](#) [X4043PI-2.7](#) [X4043S8-2.7T1](#) [X4043S8IZ-2.7](#) [X4043S8IZT1](#) [X4043S8T1](#) [X4045P](#) [X4045PI](#)  
[X4045PI-2.7](#) [X4045S8-2.7T1](#) [X4045S8IZ](#) [X4045S8T1](#) [X4163P](#) [X4163P-2.7](#) [X4163PI](#) [X4163PI-2.7](#) [X4163S8](#) [X4165P](#) [X4165P-2.7](#)  
[X4165PI](#) [X4165PI-2.7](#) [X4165S8I-2.7](#) [X4283S8I](#) [X4323S8-2.7](#) [X4323S8I-2.7](#)