

# 具有 ±15kV ESD (HBM) 保护功能的 TRS3243 3V 至 5.5V 多通道 RS-232 线路驱动器和接收器

## 1 特性

- 由 3V 至 5.5V  $V_{CC}$  电源供电
- 用于 IBM® PC/AT™ 串行端口的单芯片和单电源接口
- 使用人体放电模型 (HBM) 时, RS-232 总线引脚 ESD 保护为 ±15kV
- 符合或超出 TIA/EIA-232-F 和 ITU V.28 标准的要求
- 三个驱动器和五个接收器
- 运行速率高达 250kbps
- 低活动电流: 300  $\mu$ A (典型值)
- 低待机电流: 1  $\mu$ A (典型值)
- 外部电容器: 4 × 0.1  $\mu$ F
- 接受 5V 逻辑输入及 3.3V 电源
- 始终有效同相接收器输出 (ROUT2B)
- 工作温度
  - TRS3243C: 0°C 至 70°C
  - TRS3243I: -40°C 至 85°C
- 串行鼠标驱动能力
- 自动断电功能, 在没有检测到有效 RS-232 信号时禁用驱动器输出

## 2 应用

- 电池供电型系统
- 平板电脑
- 笔记本电脑
- 便携式计算机
- 手持设备

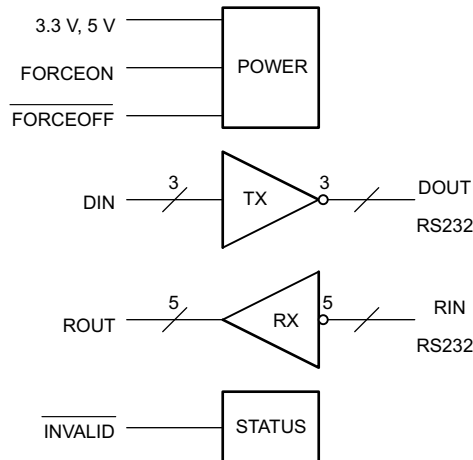
## 3 说明

TRS3243 器件包含三个线路驱动器和五个线路接收器, 非常适合用于 DE-9 DTE 接口。引脚对引脚 (串行端口连接引脚, 包括 GND) ±15kV ESD (HBM) 保护。灵活的电源功能可自动省电。特殊输出 ROUT2B 和 INVALID 始终启用, 以检查振铃指示灯和有效的 RS232 输入。

### 封装信息

器件型号	封装 <sup>(1)</sup>	封装尺寸 (标称值)
TRS3243	SSOP (28)	10.20mm x 5.30mm
	TSSOP (28)	9.70mm x 4.40mm

(1) 如需了解所有可用封装, 请参阅数据表末尾的可订购产品附录。



简化原理图



## Table of Contents

<b>1 特性</b> .....	<b>1</b>	<b>8 Detailed Description</b> .....	<b>11</b>
<b>2 应用</b> .....	<b>1</b>	8.1 Overview.....	11
<b>3 说明</b> .....	<b>1</b>	8.2 Functional Block Diagram.....	11
<b>4 Revision History</b> .....	<b>2</b>	8.3 Feature Description.....	12
<b>5 Pin Configuration and Functions</b> .....	<b>3</b>	8.4 Device Functional Modes.....	13
<b>6 Specifications</b> .....	<b>4</b>	<b>9 Application and Implementation</b> .....	<b>14</b>
6.1 Absolute Maximum Ratings.....	4	9.1 Application Information.....	14
6.2 ESD Ratings.....	4	9.2 Typical Application.....	14
6.3 Recommended Operating Conditions.....	4	9.3 Power Supply Recommendations.....	15
6.4 Thermal Information.....	5	9.4 Layout.....	15
6.5 Electrical Characteristics—Power and Status.....	5	<b>10 Device and Documentation Support</b> .....	<b>17</b>
6.6 Electrical Characteristics—Driver.....	6	10.1 支持资源.....	17
6.7 Electrical Characteristics—Receiver.....	6	10.2 Trademarks.....	17
6.8 Switching Characteristics—Power and Status.....	7	10.3 静电放电警告.....	17
6.9 Switching Characteristics—Driver.....	7	10.4 术语表.....	17
6.10 Switching Characteristics—Receiver.....	7	<b>11 Mechanical, Packaging, and Orderable Information</b> .....	<b>17</b>
6.11 Typical Characteristics.....	8		
<b>7 Parameter Measurement Information</b> .....	<b>9</b>		

## 4 Revision History

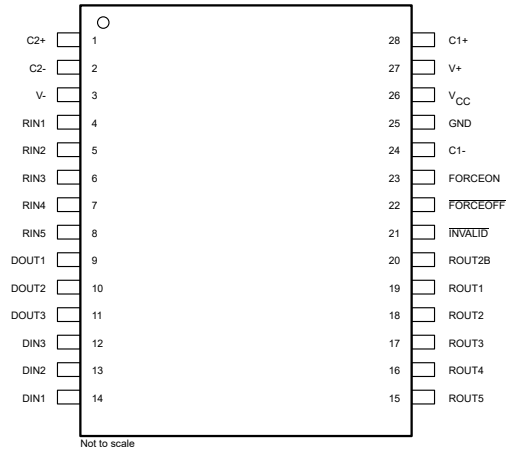
注：以前版本的页码可能与当前版本的页码不同

<b>Changes from Revision B (June 2015) to Revision C (October 2022)</b>	<b>Page</b>
• Changed the <i>Thermal Information</i> table.....	5
• Changed the MAX value of I <sub>CC</sub> Supply current auto-powerdown disabled from 1 mA to 1.2 mA in <i>Electrical Characteristics—Power and Status</i> .....	5

---

<b>Changes from Revision A (September 2011) to Revision B (June 2015)</b>	<b>Page</b>
• 添加了引脚功能表、ESD 等级表、热性能信息表、典型特性部分、详细描述部分、应用和实施部分、电源相关建议部分、布局部分、器件和文档支持部分以及机械、封装和可订购信息部分.....	1
• Deleted <i>Ordering Information</i> table.....	3

## 5 Pin Configuration and Functions



**图 5-1. DB, PW Packages, 28-Pin SSOP, TSSOP (Top View)**

**表 5-1. Pin Functions**

PIN		TYPE	DESCRIPTION
NO.	NAME		
1	C2+	—	Positive terminal of the voltage-doubler charge-pump capacitor
2	C2-	—	Negative terminal of the voltage-doubler charge-pump capacitor
3	V-	—	Negative charge pump output voltage
4	RIN1	I	RS-232 receiver inputs
5	RIN2		
6	RIN3		
7	RIN4		
8	RIN5		
9	DOUT1	O	RS-232 driver outputs
10	DOUT2		
11	DOUT3		
12	DIN3	I	Driver inputs
13	DIN2		
14	DIN1		
15	ROUT5	O	Receiver outputs
16	ROUT4		
17	ROUT3		
18	ROUT2		
19	ROUT1		
20	ROUT2B	—	Always-active noninverting receiver output;
21	INVALID	O	Invalid Output Pin
22	FORCEOFF	I	Auto Powerdown Control input (Refer to Truth Table)
23	FORCEON	I	Auto Powerdown Control input (Refer to Truth Table)
24	C1-	—	Negative terminal of the voltage-doubler charge-pump capacitor
25	GND	—	Ground
26	V <sub>CC</sub>	—	3-V to 5.5-V supply voltage
27	V+	—	Positive charge pump output voltage
28	C1+	—	Positive terminal of the voltage-doubler charge-pump capacitor

## 6 Specifications

### 6.1 Absolute Maximum Ratings

over operating free-air temperature range (unless otherwise noted) <sup>(1)</sup>

		MIN	MAX	UNIT	
V <sub>CC</sub>	Supply voltage <sup>(2)</sup>	- 0.3	6	V	
V <sub>+</sub>	Positive output supply voltage <sup>(2)</sup>	- 0.3	7	V	
V <sub>-</sub>	Negative output supply voltage <sup>(2)</sup>	0.3	- 7	V	
V <sub>+</sub> - V <sub>-</sub>	Supply voltage difference <sup>(2)</sup>		13	V	
V <sub>I</sub>	Input voltage	Driver, FORCEOFF, FORCEON	- 0.3	6	V
		Receiver	- 25	25	
V <sub>O</sub>	Output voltage	Driver	- 13.2	13.2	V
		Receiver, INVALID	- 0.3	V <sub>CC</sub> + 0.3	
T <sub>J</sub>	Operating virtual junction temperature		150	°C	
T <sub>stg</sub>	Storage temperature	- 65	150	°C	

- (1) Stresses beyond those listed under *Absolute Maximum Ratings* may cause permanent damage to the device. These are stress ratings only, and functional operation of the device at these or any other conditions beyond those indicated under *Recommended Operating Conditions* is not implied. Exposure to absolute-maximum-rated conditions for extended periods may affect device reliability.
- (2) All voltages are with respect to network GND.

### 6.2 ESD Ratings

		VALUE	UNIT	
V <sub>(ESD)</sub>	Electrostatic discharge	Human body model (HBM), per ANSI/ESDA/JEDEC JS-001 RIN, DOUT, and GND pins <sup>(1)</sup>	±15000	V
		Human body model (HBM), per ANSI/ESDA/JEDEC JS-001 All other pins <sup>(1)</sup>	±3000	
		Charged device model (CDM), per JEDEC specification JESD22-C101, all pins <sup>(2)</sup>	±1000	

- (1) JEDEC document JEP155 states that 500-V HBM allows safe manufacturing with a standard ESD control process.
- (2) JEDEC document JEP157 states that 250-V CDM allows safe manufacturing with a standard ESD control process.

### 6.3 Recommended Operating Conditions

(see [图 9-1](#))<sup>(1)</sup>

		MIN	NOM	MAX	UNIT	
V <sub>CC</sub>	Supply voltage	V <sub>CC</sub> = 3.3 V	3	3.3	3.6	V
		V <sub>CC</sub> = 5 V	4.5	5	5.5	
V <sub>IH</sub>	Driver and control high-level input voltage	DIN, FORCEOFF, FORCEON	V <sub>CC</sub> = 3.3 V	2	5.5	V
			V <sub>CC</sub> = 5 V	2.4	5.5	
V <sub>IL</sub>	Driver and control low-level input voltage	DIN, FORCEOFF, FORCEON		0	0.8	V
V <sub>I</sub>	Driver and control input voltage	DIN, FORCEOFF, FORCEON		0	5.5	V
V <sub>I</sub>	Receiver input voltage	- 25		25	V	
T <sub>A</sub>	Operating free-air temperature	TRS3243C	0	70	°C	
		TRS3243I	- 40	85		

- (1) Test conditions are C1 - C4 = 0.1 μF at V<sub>CC</sub> = 3.3 V ± 0.3 V; C1 = 0.047 μF, C2 - C4 = 0.33 μF at V<sub>CC</sub> = 5 V ± 0.5 V.

## 6.4 Thermal Information

THERMAL METRIC <sup>(1)</sup>		{DB} (SSOP)	{PW} (TSSOP)	UNIT
		16 PINS	16 PINS	
$R_{\theta JA}$	Junction-to-ambient thermal resistance	76.1	70.3	°C/W
$R_{\theta JC(top)}$	Junction-to-case (top) thermal resistance	35.8	21.0	°C/W
$R_{\theta JB}$	Junction-to-board thermal resistance	37.4	29.2	°C/W
$\psi_{JT}$	Junction-to-top characterization parameter	7.4	1.3	°C/W
$\psi_{JB}$	Junction-to-board characterization parameter	37.0	28.8	°C/W
$R_{\theta JC(bot)}$	Junction-to-case (bottom) thermal resistance	N/A	N/A	°C/W

(1) For more information about traditional and new thermal metrics, see the *Semiconductor and IC Package Thermal Metrics* application report (SPRA953).

## 6.5 Electrical Characteristics—Power and Status

over recommended ranges of supply voltage and operating free-air temperature (unless otherwise noted)<sup>(1)</sup> (see [图 9-1](#))

PARAMETER		TEST CONDITIONS	MIN	TYP <sup>(2)</sup>	MAX	UNIT
$I_{CC}$	Supply current Automatic power down disabled	No load, FORCEOFF and FORCEON at $V_{CC}$ . $T_A = 25^\circ\text{C}$		0.3	1.2	mA
	Supply current Powered off	No load, FORCEOFF at GND. $T_A = 25^\circ\text{C}$		1	10	$\mu\text{A}$
	Supply current Automatic power down enabled	No load, FORCEOFF at $V_{CC}$ , FORCEON at GND, All RIN are open or grounded, All DIN are grounded. $T_A = 25^\circ\text{C}$		1	10	
$I_I$	Input leakage current of FORCEOFF, FORCEON	$V_I = V_{CC}$ or $V_I$ at GND		$\pm 0.01$	$\pm 1$	$\mu\text{A}$
$V_{IT+}$	Receiver input threshold for INVALID high-level output voltage	FORCEON = GND, FORCEOFF = $V_{CC}$			2.7	V
$V_{IT-}$	Receiver input threshold for INVALID high-level output voltage	FORCEON = GND, FORCEOFF = $V_{CC}$	- 2.7			V
$V_T$	Receiver input threshold for INVALID low-level output voltage	FORCEON = GND, FORCEOFF = $V_{CC}$	- 0.3		0.3	V
$V_{OH}$	INVALID high-level output voltage	$I_{OH} = -1\text{ mA}$ , FORCEON = GND, FORCEOFF = $V_{CC}$	$V_{CC} - 0.6$			V
$V_{OL}$	INVALID low-level output voltage	$I_{OL} = 1.6\text{ mA}$ , FORCEON = GND, FORCEOFF = $V_{CC}$			0.4	V

(1) Test conditions are C1 - C4 = 0.1  $\mu\text{F}$  at  $V_{CC} = 3.3\text{ V} \pm 0.3\text{ V}$ ; C1 = 0.047  $\mu\text{F}$ , C2 - C4 = 0.33  $\mu\text{F}$  at  $V_{CC} = 5\text{ V} \pm 0.5\text{ V}$ .

(2) All typical values are at  $V_{CC} = 3.3\text{ V}$  or  $V_{CC} = 5\text{ V}$ , and  $T_A = 25^\circ\text{C}$ .

## 6.6 Electrical Characteristics—Driver

over recommended ranges of supply voltage and operating free-air temperature (unless otherwise noted)<sup>(1)</sup> (see 图 9-1)

PARAMETER	TEST CONDITIONS	MIN	TYP <sup>(2)</sup>	MAX	UNIT	
V <sub>OH</sub>	High-level output voltage	All DOUT at R <sub>L</sub> = 3 kΩ to GND		5	5.4	V
V <sub>OL</sub>	Low-level output voltage	All DOUT at R <sub>L</sub> = 3 kΩ to GND		-5	-5.4	V
V <sub>O</sub>	Output voltage (mouse driveability)	DIN1 = DIN2 = GND, DIN3 = V <sub>CC</sub> , 3 kΩ to GND at DOUT3, DOUT1 = DOUT2 = 2.5 mA		±5		V
I <sub>IH</sub>	High-level input current	V <sub>I</sub> = V <sub>CC</sub>		±0.01	±1	μA
I <sub>IL</sub>	Low-level input current	V <sub>I</sub> at GND		±0.01	±1	μA
V <sub>hys</sub>	Input hysteresis				±1	V
I <sub>OS</sub>	Short-circuit output current <sup>(3)</sup>	V <sub>CC</sub> = 3.6 V, V <sub>O</sub> = 0 V		±35	±60	mA
		V <sub>CC</sub> = 5.5 V, V <sub>O</sub> = 0 V				
r <sub>o</sub>	Output resistance	V <sub>CC</sub> = 0 V, V <sub>+</sub> = 0 V, and V <sub>-</sub> = 0 V, V <sub>O</sub> = ±2 V		300	10M	Ω
I <sub>off</sub>	Output leakage current	FORCEOFF = GND, V <sub>O</sub> = ±12 V, V <sub>CC</sub> = 3 to 3.6 V				±25
		V <sub>O</sub> = ±10 V, V <sub>CC</sub> = 4.5 to 5.5 V				±25

(1) Test conditions are C1 - C4 = 0.1 μF at V<sub>CC</sub> = 3.3 V ± 0.3 V; C1 = 0.047 μF, C2 - C4 = 0.33 μF at V<sub>CC</sub> = 5 V ± 0.5 V.

(2) All typical values are at V<sub>CC</sub> = 3.3 V or V<sub>CC</sub> = 5 V, and T<sub>A</sub> = 25°C.

(3) Short-circuit durations must be controlled to prevent exceeding the device absolute power dissipation ratings, and not more than one output should be shorted at a time.

## 6.7 Electrical Characteristics—Receiver

over recommended ranges of supply voltage and operating free-air temperature (unless otherwise noted)<sup>(1)</sup> (see 图 9-1)

PARAMETER	TEST CONDITIONS	MIN	TYP <sup>(2)</sup>	MAX	UNIT	
V <sub>OH</sub>	High-level output voltage	I <sub>OH</sub> = -1 mA		V <sub>CC</sub> - 0.6	V <sub>CC</sub> - 0.1	V
V <sub>OL</sub>	Low-level output voltage	I <sub>OH</sub> = 1.6 mA				0.4
V <sub>IT+</sub>	Positive-going input threshold voltage	V <sub>CC</sub> = 3.3 V		1.6	2.4	V
		V <sub>CC</sub> = 5 V		1.9	2.4	
V <sub>IT-</sub>	Negative-going input threshold voltage	V <sub>CC</sub> = 3.3 V		0.6	1.1	V
		V <sub>CC</sub> = 5 V		0.8	1.4	
V <sub>hys</sub>	Input hysteresis (V <sub>IT+</sub> - V <sub>IT-</sub> )			0.5		V
I <sub>off</sub>	Output leakage current (except ROUT2B)	FORCEOFF = 0 V		±0.05	±10	μA
r <sub>I</sub>	Input resistance	V <sub>I</sub> = ±3 V or ±25 V		3	5	7

(1) Test conditions are C1 - C4 = 0.1 μF at V<sub>CC</sub> = 3.3 V ± 0.3 V; C1 = 0.047 μF, C2 - C4 = 0.33 μF at V<sub>CC</sub> = 5 V ± 0.5 V.

(2) All typical values are at V<sub>CC</sub> = 3.3 V or V<sub>CC</sub> = 5 V, and T<sub>A</sub> = 25°C.

## 6.8 Switching Characteristics—Power and Status

over recommended ranges of supply voltage and operating free-air temperature (unless otherwise noted) (see [图 7-5](#))

PARAMETER		TEST CONDITIONS	TYP <sup>(1)</sup>	UNIT
$t_{\text{valid}}$	Propagation delay time, low- to high-level output	$V_{\text{CC}} = 5 \text{ V}$	1	$\mu\text{s}$
$t_{\text{invalid}}$	Propagation delay time, high- to low-level output	$V_{\text{CC}} = 5 \text{ V}$	30	$\mu\text{s}$
$t_{\text{en}}$	Supply enable time	$V_{\text{CC}} = 5 \text{ V}$	100	$\mu\text{s}$

(1) All typical values are at  $V_{\text{CC}} = 3.3 \text{ V}$  or  $V_{\text{CC}} = 5 \text{ V}$ , and  $T_{\text{A}} = 25^{\circ}\text{C}$ .

## 6.9 Switching Characteristics—Driver

over recommended ranges of supply voltage and operating free-air temperature (unless otherwise noted)<sup>(1)</sup> (see [图 9-1](#))  
TRS3243C, TRS3243I

PARAMETER		TEST CONDITIONS	MIN	TYP <sup>(2)</sup>	MAX	UNIT
Maximum data rate		$R_{\text{L}} = 3 \text{ k}\Omega$ One DOUT switching, $C_{\text{L}} = 1000 \text{ pF}$ See <a href="#">图 7-1</a>	150	250		kbps
$t_{\text{sk(p)}}$	Pulse skew <sup>(3)</sup>	$R_{\text{L}} = 3 \text{ k}\Omega$ to $7 \text{ k}\Omega$ $C_{\text{L}} = 150 \text{ pF}$ to $2500 \text{ pF}$ See <a href="#">图 7-3</a>		100		ns
$\text{SR}(\text{tr})$	Slew rate, transition region (see <a href="#">图 7-1</a> )	$V_{\text{CC}} = 3.3 \text{ V}$ , $R_{\text{L}} = 3 \text{ k}\Omega$ to $7 \text{ k}\Omega$	$C_{\text{L}} = 150 \text{ pF}$ to $1000 \text{ pF}$	6	30	$\text{V}/\mu\text{s}$
			$C_{\text{L}} = 150 \text{ pF}$ to $2500 \text{ pF}$	4	30	

(1) Test conditions are  $C1 - C4 = 0.1 \mu\text{F}$  at  $V_{\text{CC}} = 3.3 \text{ V} + 0.3 \text{ V}$ ;  $C1 = 0.047 \mu\text{F}$ ,  $C2 - C4 = 0.33 \mu\text{F}$  at  $V_{\text{CC}} = 5 \text{ V} \pm 0.5 \text{ V}$ .

(2) All typical values are at  $V_{\text{CC}} = 3.3 \text{ V}$  or  $V_{\text{CC}} = 5 \text{ V}$ , and  $T_{\text{A}} = 25^{\circ}\text{C}$ .

(3) Pulse skew is defined as  $|t_{\text{PLH}} - t_{\text{PHL}}|$  of each channel of the same device.

## 6.10 Switching Characteristics—Receiver

over recommended ranges of supply voltage and operating free-air temperature (unless otherwise noted)<sup>(1)</sup>

PARAMETER		TEST CONDITIONS	TYP <sup>(2)</sup>	UNIT
$t_{\text{PLH}}$	Propagation delay time, low- to high-level output	$C_{\text{L}} = 150 \text{ pF}$ , See <a href="#">图 7-3</a>	150	ns
$t_{\text{PHL}}$	Propagation delay time, high- to low-level output		150	ns
$t_{\text{en}}$	Output enable time	$C_{\text{L}} = 150 \text{ pF}$ , $R_{\text{L}} = 3 \text{ k}\Omega$ , See <a href="#">图 7-4</a>	200	ns
$t_{\text{dis}}$	Output disable time		200	ns
$t_{\text{sk(p)}}$	Pulse skew <sup>(3)</sup>		See <a href="#">图 7-3</a>	50

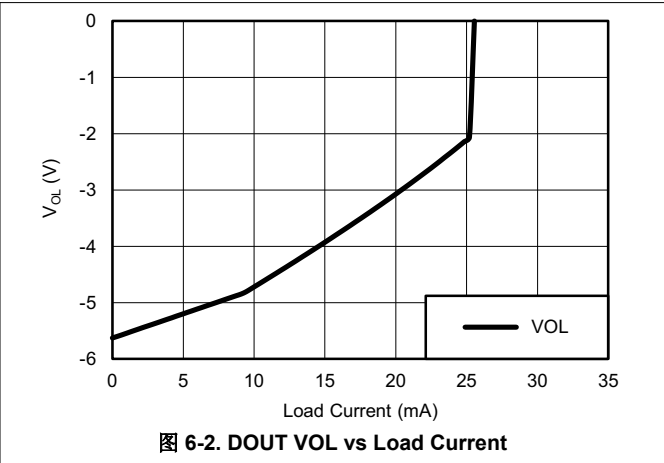
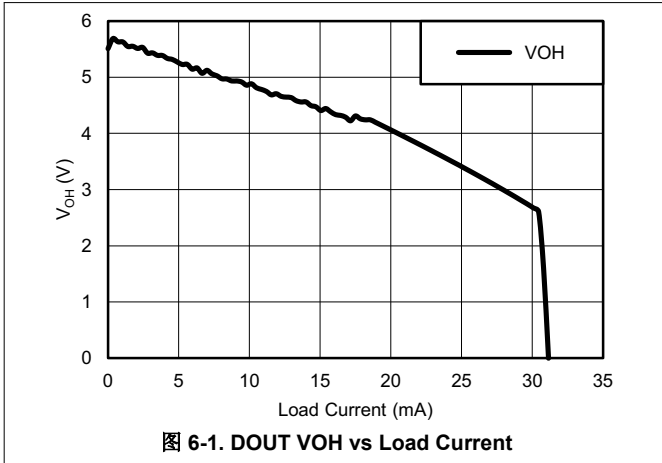
(1) Test conditions are  $C1 - C4 = 0.1 \mu\text{F}$  at  $V_{\text{CC}} = 3.3 \text{ V} \pm 0.3 \text{ V}$ ;  $C1 = 0.047 \mu\text{F}$ ,  $C2 - C4 = 0.33 \mu\text{F}$  at  $V_{\text{CC}} = 5 \text{ V} \pm 0.5 \text{ V}$ .

(2) All typical values are at  $V_{\text{CC}} = 3.3 \text{ V}$  or  $V_{\text{CC}} = 5 \text{ V}$ , and  $T_{\text{A}} = 25^{\circ}\text{C}$ .

(3) Pulse skew is defined as  $|t_{\text{PLH}} - t_{\text{PHL}}|$  of each channel of the same device.

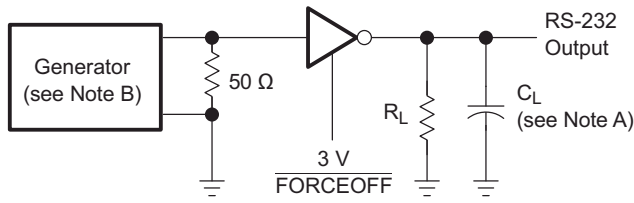
### 6.11 Typical Characteristics

$V_{CC} = 3.3\text{ V}$



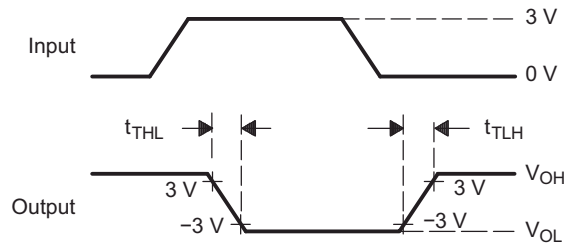


## 7 Parameter Measurement Information



TEST CIRCUIT

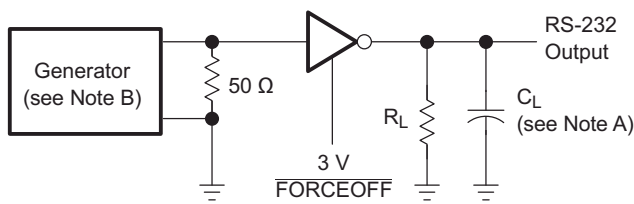
$$SR(tr) = \frac{6 V}{t_{THL} \text{ or } t_{TLH}}$$



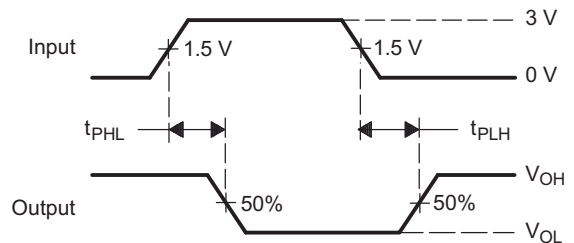
VOLTAGE WAVEFORMS

- A.  $C_L$  includes probe and jig capacitance.
- B. The pulse generator has the following characteristics: PRR = 250 kbps, (MAX3243C/I) and 1 Mbit/s (MAX3243FC/I),  $Z_O = 50 \Omega$ , 50% duty cycle,  $t_r \leq 10 \text{ ns}$ ,  $t_f \leq 10 \text{ ns}$ .

图 7-1. Driver Slew Rate



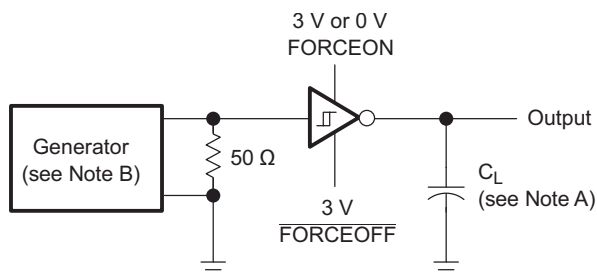
TEST CIRCUIT



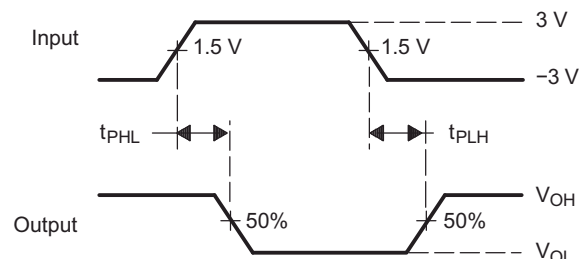
VOLTAGE WAVEFORMS

- A.  $C_L$  includes probe and jig capacitance.
- B. The pulse generator has the following characteristics: PRR = 250 kbps, (MAX3243C/I) and 1 Mbit/s (MAX3243FC/I),  $Z_O = 50 \Omega$ , 50% duty cycle,  $t_r \leq 10 \text{ ns}$ ,  $t_f \leq 10 \text{ ns}$ .

图 7-2. Driver Pulse Skew



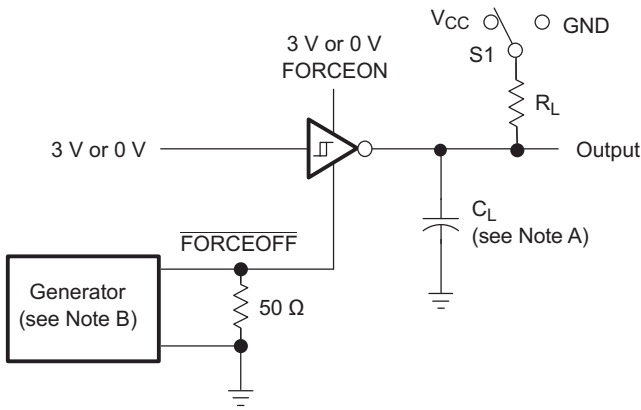
TEST CIRCUIT



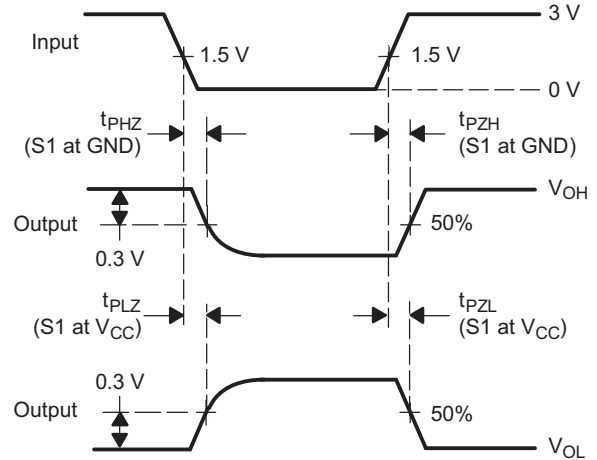
VOLTAGE WAVEFORMS

- A.  $C_L$  includes probe and jig capacitance.
- B. The pulse generator has the following characteristics:  $Z_O = 50 \Omega$ , 50% duty cycle,  $t_r \leq 10 \text{ ns}$ ,  $t_f \leq 10 \text{ ns}$ .

图 7-3. Receiver Propagation Delay Times



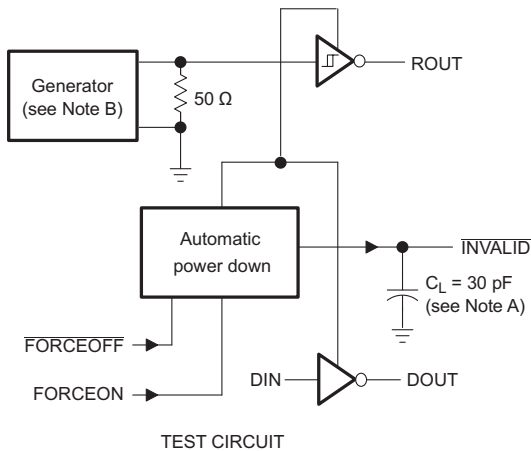
TEST CIRCUIT



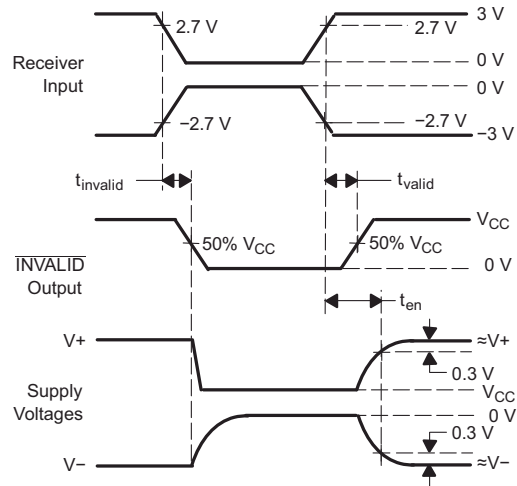
VOLTAGE WAVEFORMS

- A.  $C_L$  includes probe and jig capacitance.
- B. The pulse generator has the following characteristics:  $Z_O = 50 \Omega$ , 50% duty cycle,  $t_r \leq 10 \text{ ns}$ ,  $t_f \leq 10 \text{ ns}$ .
- C.  $t_{PLZ}$  and  $t_{PHZ}$  are the same as  $t_{dis}$ .
- D.  $t_{PZL}$  and  $t_{PZH}$  are the same as  $t_{en}$ .

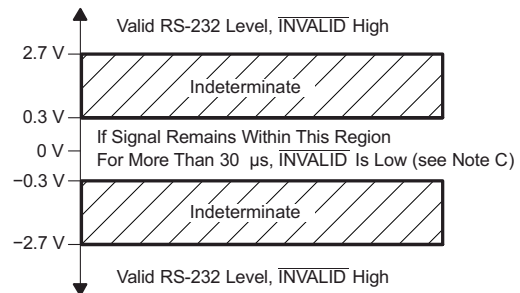
图 7-4. Receiver Enable and Disable Times



TEST CIRCUIT



VOLTAGE WAVEFORMS



- A.  $C_L$  includes probe and jig capacitance.
- B. The pulse generator has the following characteristics: PRR = 5 kbps,  $Z_O = 50 \Omega$ , 50% duty cycle,  $t_r \leq 10 \text{ ns}$ ,  $t_f \leq 10 \text{ ns}$ .
- C. Automatic power down disables drivers and reduces supply current to  $1 \mu\text{A}$ .

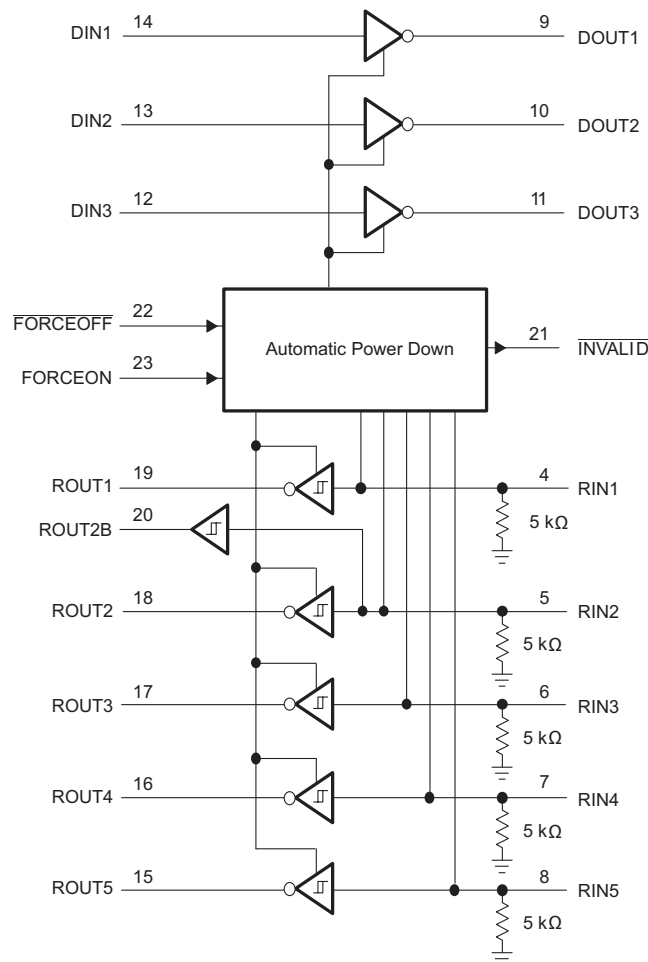
图 7-5. INVALID Propagation Delay Times and Supply Enabling Time

## 8 Detailed Description

### 8.1 Overview

The TRS3243 device consists of three line drivers, five line receivers, and a dual charge-pump circuit with  $\pm 15$ -kV ESD (HBM) protection pin-to-pin (serial-port connection pins, including GND). The TRS3243 device meets the requirements of TIA/EIA-232-F and provides the electrical interface between an asynchronous communication controller and the serial-port connector. This combination of drivers and receivers matches what is needed for the typical serial port used in an IBM PC, AT, or compatible device. The charge pump and four small external capacitors allow operation from one 3-V to 5.5-V supply. In addition, the device includes an always-active noninverting output (ROUT2B), which allows applications using the ring indicator to transmit data while the device is powered down. Flexible control options for power management are available when the serial port is inactive. The automatic power-down feature functions when FORCEON is low and FORCEOFF is high. During this mode of operation, if the device does not sense a valid RS-232 signal, the driver outputs are disabled. If FORCEOFF is set low, both drivers and receivers (except ROUT2B) are shut off, and the supply current is reduced to 1  $\mu$ A. Disconnecting the serial port or turning off the peripheral drivers causes the automatic power-down condition to occur. Automatic power down can be disabled when FORCEON and FORCEOFF are high and must be done when driving a serial mouse. With automatic power down enabled, the device is activated automatically when a valid signal is applied to any receiver input. The INVALID output is used to notify the user if an RS-232 signal is present at any receiver input. INVALID is high (valid data) if any receiver input voltage is greater than 2.7 V, is less than -2.7 V, or has been between -0.3 V and 0.3 V for less than 30  $\mu$ s. INVALID is low (invalid data) if all receiver input voltages are between -0.3 V and 0.3 V for more than 30  $\mu$ s.

### 8.2 Functional Block Diagram



## 8.3 Feature Description

### 8.3.1 Automatic Power Down

Automatic power down can be used to automatically save power when the receivers are unconnected or when they are connected to a powered down remote RS232 port. FORCEON being high overrides automatic power down and the drivers are active. FORCEOFF being low overrides FORCEON and powers down all outputs except for ROUT2B and INVALID.

### 8.3.2 Charge Pump

The charge pump increases, inverts, and regulates voltage at V+ and V - pins. The charge pump requires four external capacitors.

### 8.3.3 RS232 Driver

Three drivers interface standard logic level to RS232 levels. All DIN inputs must be valid high or low.

### 8.3.4 RS232 Receiver

Five receivers interface RS232 levels to standard logic levels. An open input results in a high output on ROUT. Each RIN input includes an internal standard RS232 load.

### 8.3.5 ROUT2B Receiver

ROUT2B is an always-active, noninverting output of RIN2 input, which allows applications using the ring indicator to transmit data while the device is powered down.

### 8.3.6 Invalid Input Detection

The INVALID output goes active low when all RIN inputs are unpowered. The INVALID output goes inactive high when any RIN input is connected to an active RS232 voltage level.

## 8.4 Device Functional Modes

**表 8-1. Each Driver<sup>(1)</sup>**

INPUTS				OUTPUT	DRIVER STATUS
DIN	FORCEON	FORCEOFF	VALID RIN RS-232 LEVEL	DOUT	
X	X	L	X	Z	Powered off
L	H	H	X	H	Normal operation with automatic power down disabled
H	H	H	X	L	
L	L	H	YES	H	Normal operation with automatic power down enabled
H	L	H	YES	L	
X	L	H	NO	Z	Power off by automatic power down feature

(1) H = high level, L = low level, X = irrelevant, Z = high impedance, YES = any RIN valid, NO = all RIN invalid

**表 8-2. Each Receiver<sup>(1)</sup>**

INPUTS			OUTPUTS	RECEIVER STATUS
RIN	FORCEON	FORCEOFF	ROUT	
X	X	L	Z	Powered off
L	X	H	H	Normal operation
H	X	H	L	
Open	X	H	H	

(1) H = high level, L = low level, X = irrelevant, Z = high impedance (off), Open = input disconnected or connected driver off

**表 8-3. INVALID and ROUT2B Outputs<sup>(1)</sup>**

INPUTS				OUTPUTS		OUTPUT STATUS
VALID RIN RS-232 LEVEL	RIN2	FORCEON	FORCEOFF	INVALID	ROUT2B	
YES	L	X	X	H	L	Always Active
YES	H	X	X	H	H	
YES	OPEN	X	X	H	L	Always Active
NO	OPEN	X	X	L	L	

(1) H = high level, L = low level, X = irrelevant, Z = high impedance (off), OPEN = input disconnected or connected driver off, YES = any RIN valid, NO = all RIN invalid

## 9 Application and Implementation

### 备注

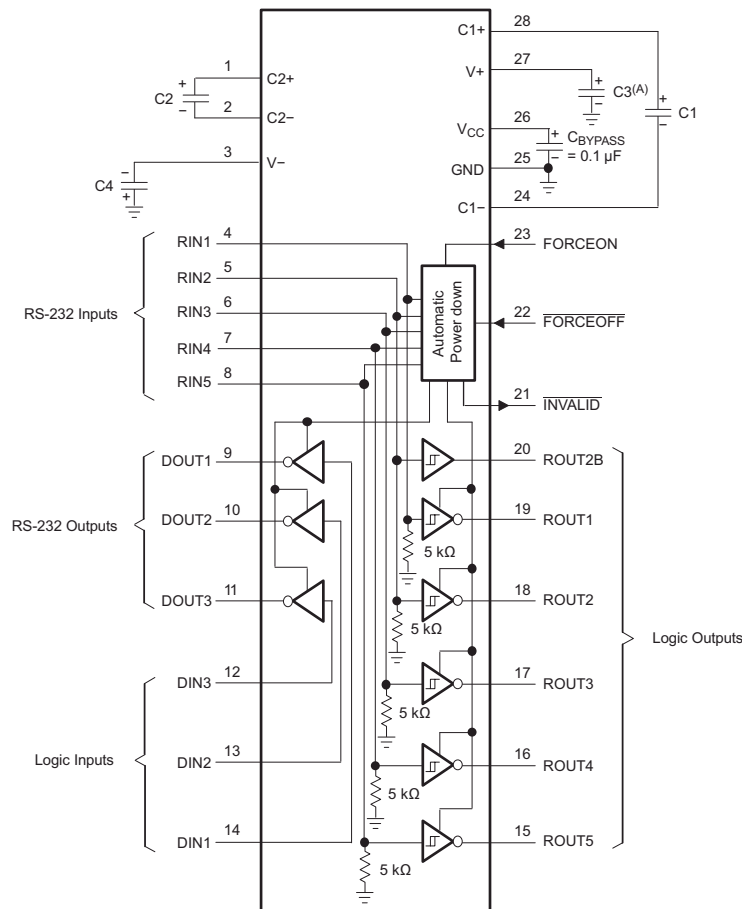
以下应用部分中的信息不属于 TI 器件规格的范围，TI 不担保其准确性和完整性。TI 的客户应负责确定器件是否适用于其应用。客户应验证并测试其设计，以确保系统功能。

### 9.1 Application Information

The TRS3243 device is designed to convert single-ended signals into RS232-compatible signals, and vice-versa.

This device can be used in any application where RS232 line driver or receiver is required. One benefit of this device is its ESD protection, which helps protect other components on the board when the RS232 lines are tied to a physical connector. The device also features an automatic power-down circuit.

### 9.2 Typical Application



- A. C3 can be connected to  $V_{CC}$  or GND.
- B. Resistor values shown are nominal.
- C. Nonpolarized ceramic capacitors are acceptable. If polarized tantalum or electrolytic capacitors are used, they must be connected as shown.

图 9-1. Typical Operating Circuit and Capacitor Values

#### 9.2.1 Design Requirements

- $V_{CC}$  minimum is 3 V and maximum is 5.5 V
- Maximum recommended bit rate is 250 kbps

表 9-1.  $V_{CC}$  versus Capacitor Values

$V_{CC}$	C1	C2, C3, C4
3.3 V $\pm$ 0.3 V	0.1 $\mu$ F	0.1 $\mu$ F
5 V $\pm$ 0.5 V	0.047 $\mu$ F	0.33 $\mu$ F
3 V to 5.5 V	0.1 $\mu$ F	0.47 $\mu$ F

### 9.2.2 Detailed Design Procedure

It is recommended to add capacitors as shown in 图 9-1.

All DIN,  $\overline{\text{FORCEOFF}}$  and FORCEON inputs must be connected to valid low or high logic levels.

Select capacitor values based on  $V_{CC}$  level for best performance.

### 9.2.3 Application Curve

$V_{CC} = 3.3$  V

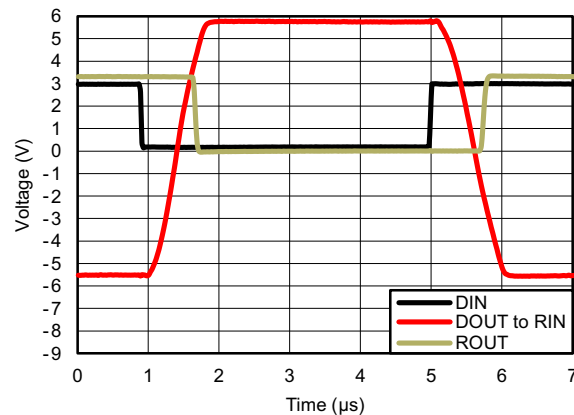


图 9-2. Driver to Receiver Loopback Timing Waveform

## 9.3 Power Supply Recommendations

$V_{CC}$  must be between 3 V and 5.5 V. Charge pump capacitors must be chosen using 表 9-1.

## 9.4 Layout

### 9.4.1 Layout Guidelines

Keep the external capacitor traces short. This is more important on C1 and C2 nodes that have the fastest rise and fall times.

图 9-3 shows only critical layout sections. Input and output traces will vary in shape and size depending on the customer application. FORCEON and FORCEOFF must be pulled up to VCC or GND through a pullup resistor, depending on which configuration is desired upon powerup.

### 9.4.2 Layout Example

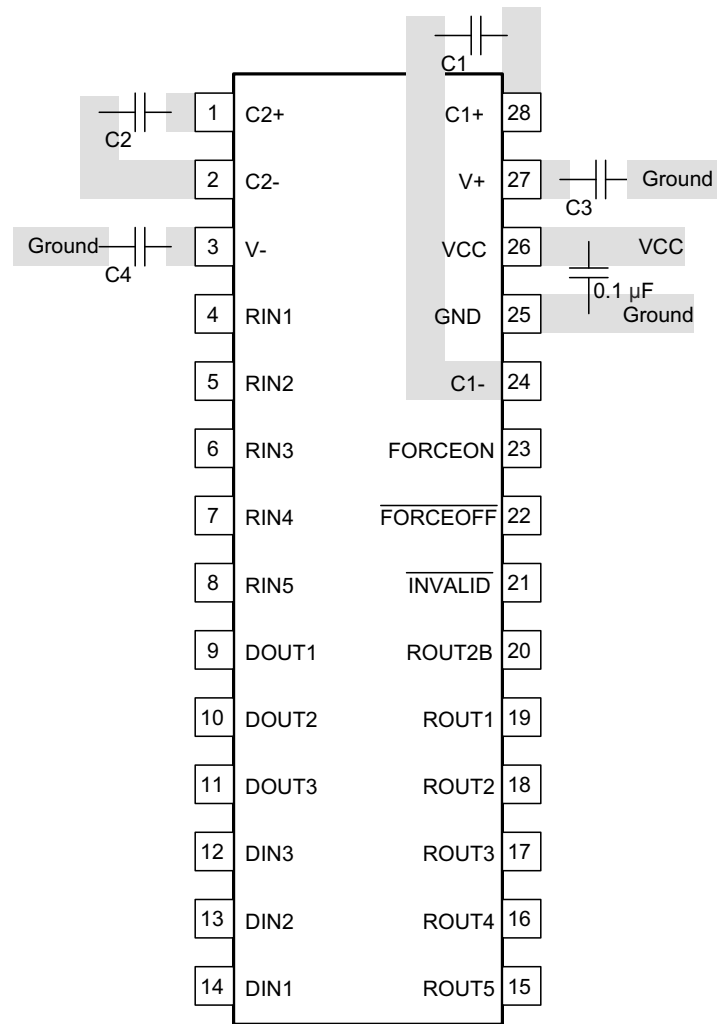


图 9-3. Layout Diagram



## 10 Device and Documentation Support

### 10.1 支持资源

TI E2E™ 支持论坛是工程师的重要参考资料，可直接从专家获得快速、经过验证的解答和设计帮助。搜索现有解答或提出自己的问题可获得所需的快速设计帮助。

链接的内容由各个贡献者“按原样”提供。这些内容并不构成 TI 技术规范，并且不一定反映 TI 的观点；请参阅 TI 的《使用条款》。

### 10.2 Trademarks

PC/AT™ is a trademark of IBM.

TI E2E™ is a trademark of Texas Instruments.

IBM® is a registered trademark of IBM.

所有商标均为其各自所有者的财产。

### 10.3 静电放电警告



静电放电 (ESD) 会损坏这个集成电路。德州仪器 (TI) 建议通过适当的预防措施处理所有集成电路。如果不遵守正确的处理和安装程序，可能会损坏集成电路。

ESD 的损坏小至导致微小的性能降级，大至整个器件故障。精密的集成电路可能更容易受到损坏，这是因为非常细微的参数更改都可能会导致器件与其发布的规格不相符。

### 10.4 术语表

**TI 术语表** 本术语表列出并解释了术语、首字母缩略词和定义。

## 11 Mechanical, Packaging, and Orderable Information

The following pages include mechanical, packaging, and orderable information. This information is the most current data available for the designated devices. This data is subject to change without notice and revision of this document. For browser-based versions of this data sheet, refer to the left-hand navigation.

**PACKAGING INFORMATION**

Orderable Device	Status (1)	Package Type	Package Drawing	Pins	Package Qty	Eco Plan (2)	Lead finish/ Ball material (6)	MSL Peak Temp (3)	Op Temp (°C)	Device Marking (4/5)	Samples
TRS3243CDBR	ACTIVE	SSOP	DB	28	2000	RoHS & Green	NIPDAU	Level-1-260C-UNLIM	0 to 70	TRS3243C	<a href="#">Samples</a>
TRS3243CPW	LIFEBUY	TSSOP	PW	28	50	RoHS & Green	NIPDAU	Level-1-260C-UNLIM	0 to 70	RS43C	
TRS3243CPWR	LIFEBUY	TSSOP	PW	28	2000	RoHS & Green	NIPDAU	Level-1-260C-UNLIM	0 to 70	RS43C	
TRS3243IDB	LIFEBUY	SSOP	DB	28	50	RoHS & Green	NIPDAU	Level-1-260C-UNLIM	-40 to 85	TRS3243I	
TRS3243IDBR	ACTIVE	SSOP	DB	28	2000	RoHS & Green	NIPDAU	Level-1-260C-UNLIM	-40 to 85	TRS3243I	<a href="#">Samples</a>
TRS3243IPW	LIFEBUY	TSSOP	PW	28	50	RoHS & Green	NIPDAU	Level-1-260C-UNLIM	-40 to 85	RS43I	
TRS3243IPWR	LIFEBUY	TSSOP	PW	28	2000	RoHS & Green	NIPDAU	Level-1-260C-UNLIM	-40 to 85	RS43I	

(1) The marketing status values are defined as follows:

**ACTIVE:** Product device recommended for new designs.

**LIFEBUY:** TI has announced that the device will be discontinued, and a lifetime-buy period is in effect.

**NRND:** Not recommended for new designs. Device is in production to support existing customers, but TI does not recommend using this part in a new design.

**PREVIEW:** Device has been announced but is not in production. Samples may or may not be available.

**OBSELETE:** TI has discontinued the production of the device.

(2) **RoHS:** TI defines "RoHS" to mean semiconductor products that are compliant with the current EU RoHS requirements for all 10 RoHS substances, including the requirement that RoHS substance do not exceed 0.1% by weight in homogeneous materials. Where designed to be soldered at high temperatures, "RoHS" products are suitable for use in specified lead-free processes. TI may reference these types of products as "Pb-Free".

**RoHS Exempt:** TI defines "RoHS Exempt" to mean products that contain lead but are compliant with EU RoHS pursuant to a specific EU RoHS exemption.

**Green:** TI defines "Green" to mean the content of Chlorine (Cl) and Bromine (Br) based flame retardants meet JS709B low halogen requirements of <=1000ppm threshold. Antimony trioxide based flame retardants must also meet the <=1000ppm threshold requirement.

(3) MSL, Peak Temp. - The Moisture Sensitivity Level rating according to the JEDEC industry standard classifications, and peak solder temperature.

(4) There may be additional marking, which relates to the logo, the lot trace code information, or the environmental category on the device.

(5) Multiple Device Markings will be inside parentheses. Only one Device Marking contained in parentheses and separated by a "~" will appear on a device. If a line is indented then it is a continuation of the previous line and the two combined represent the entire Device Marking for that device.

(6) Lead finish/Ball material - Orderable Devices may have multiple material finish options. Finish options are separated by a vertical ruled line. Lead finish/Ball material values may wrap to two lines if the finish value exceeds the maximum column width.

**Important Information and Disclaimer:** The information provided on this page represents TI's knowledge and belief as of the date that it is provided. TI bases its knowledge and belief on information provided by third parties, and makes no representation or warranty as to the accuracy of such information. Efforts are underway to better integrate information from third parties. TI has taken and continues to take reasonable steps to provide representative and accurate information but may not have conducted destructive testing or chemical analysis on incoming materials and chemicals. TI and TI suppliers consider certain information to be proprietary, and thus CAS numbers and other limited information may not be available for release.

In no event shall TI's liability arising out of such information exceed the total purchase price of the TI part(s) at issue in this document sold by TI to Customer on an annual basis.

**TAPE AND REEL INFORMATION**

**QUADRANT ASSIGNMENTS FOR PIN 1 ORIENTATION IN TAPE**


\*All dimensions are nominal

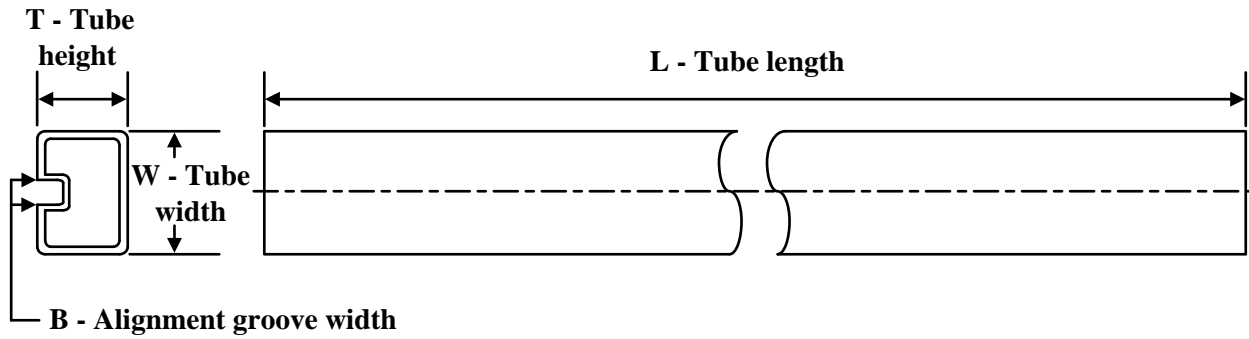
Device	Package Type	Package Drawing	Pins	SPQ	Reel Diameter (mm)	Reel Width W1 (mm)	A0 (mm)	B0 (mm)	K0 (mm)	P1 (mm)	W (mm)	Pin1 Quadrant
TRS3243CDBR	SSOP	DB	28	2000	330.0	16.4	8.2	10.5	2.5	12.0	16.0	Q1
TRS3243CPWR	TSSOP	PW	28	2000	330.0	16.4	6.9	10.2	1.8	12.0	16.0	Q1
TRS3243IDBR	SSOP	DB	28	2000	330.0	16.4	8.2	10.5	2.5	12.0	16.0	Q1
TRS3243IPWR	TSSOP	PW	28	2000	330.0	16.4	6.9	10.2	1.8	12.0	16.0	Q1
TRS3243IPWR	TSSOP	PW	28	2000	330.0	16.4	6.9	10.2	1.8	12.0	16.0	Q1

## TAPE AND REEL BOX DIMENSIONS



\*All dimensions are nominal

Device	Package Type	Package Drawing	Pins	SPQ	Length (mm)	Width (mm)	Height (mm)
TRS3243CDBR	SSOP	DB	28	2000	356.0	356.0	35.0
TRS3243CPWR	TSSOP	PW	28	2000	356.0	356.0	35.0
TRS3243IDBR	SSOP	DB	28	2000	356.0	356.0	35.0
TRS3243IPWR	TSSOP	PW	28	2000	356.0	356.0	35.0
TRS3243IPWR	TSSOP	PW	28	2000	350.0	350.0	43.0

**TUBE**


\*All dimensions are nominal

Device	Package Name	Package Type	Pins	SPQ	L (mm)	W (mm)	T (μm)	B (mm)
TRS3243CPW	PW	TSSOP	28	50	530	10.2	3600	3.5
TRS3243CPW	PW	TSSOP	28	50	530	10.2	3600	3.5
TRS3243IDB	DB	SSOP	28	50	530	10.5	4000	4.1
TRS3243IPW	PW	TSSOP	28	50	530	10.2	3600	3.5
TRS3243IPW	PW	TSSOP	28	50	530	10.2	3600	3.5

PW (R-PDSO-G28)

PLASTIC SMALL OUTLINE



4040064-7/G 02/11

- NOTES:
- A. All linear dimensions are in millimeters. Dimensioning and tolerancing per ASME Y14.5M-1994.
  - B. This drawing is subject to change without notice.
  - C. Body length does not include mold flash, protrusions, or gate burrs. Mold flash, protrusions, or gate burrs shall not exceed 0,15 each side.
  - D. Body width does not include interlead flash. Interlead flash shall not exceed 0,25 each side.
  - E. Falls within JEDEC MO-153

PW (R-PDSO-G28)

PLASTIC SMALL OUTLINE



- NOTES:
- A. All linear dimensions are in millimeters.
  - B. This drawing is subject to change without notice.
  - C. Publication IPC-7351 is recommended for alternate design.
  - D. Laser cutting apertures with trapezoidal walls and also rounding corners will offer better paste release. Customers should contact their board assembly site for stencil design recommendations. Refer to IPC-7525 for other stencil recommendations.
  - E. Customers should contact their board fabrication site for solder mask tolerances between and around signal pads.



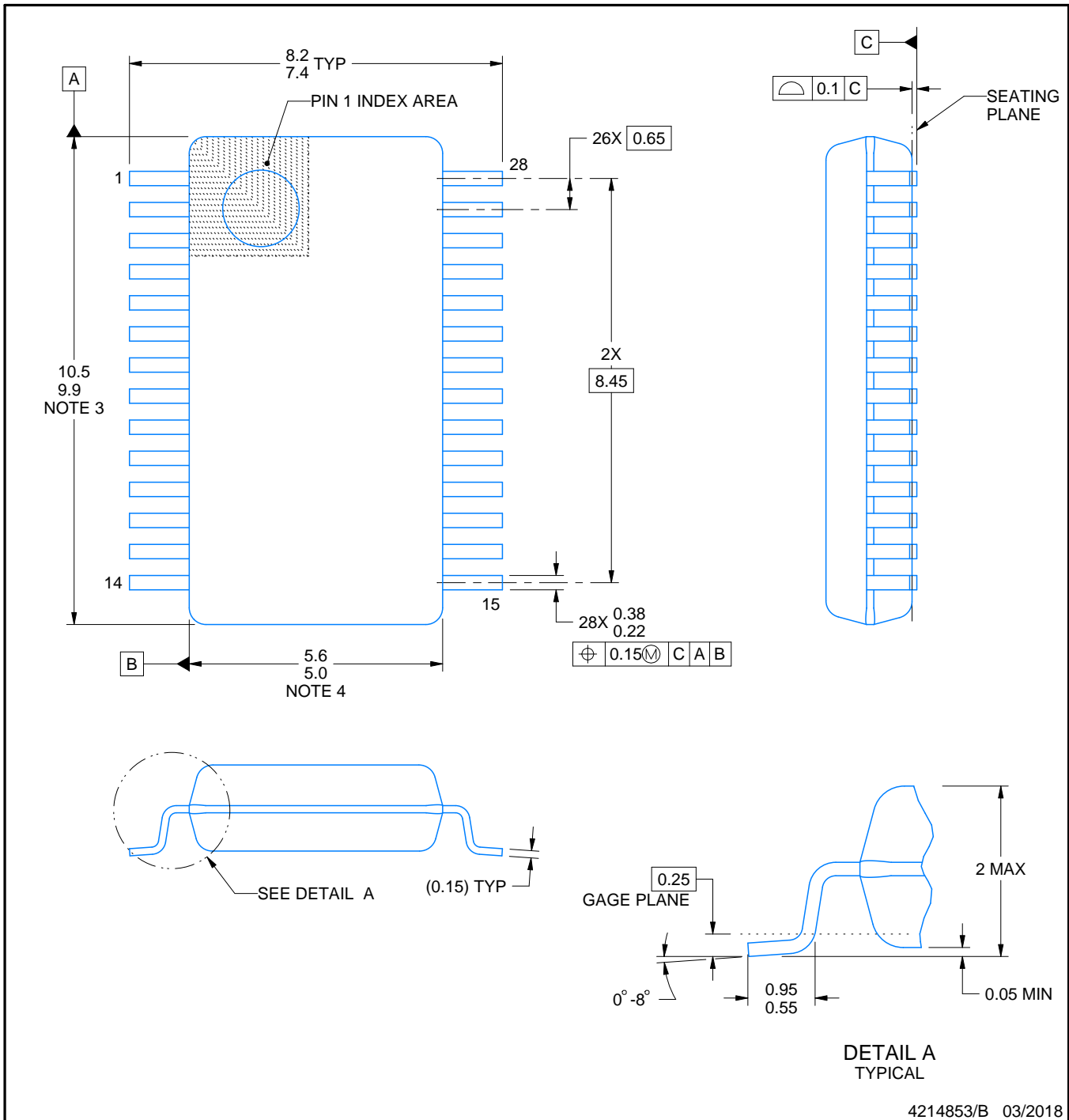
# DB0028A



# PACKAGE OUTLINE

## SSOP - 2 mm max height

SMALL OUTLINE PACKAGE



4214853/B 03/2018

### NOTES:

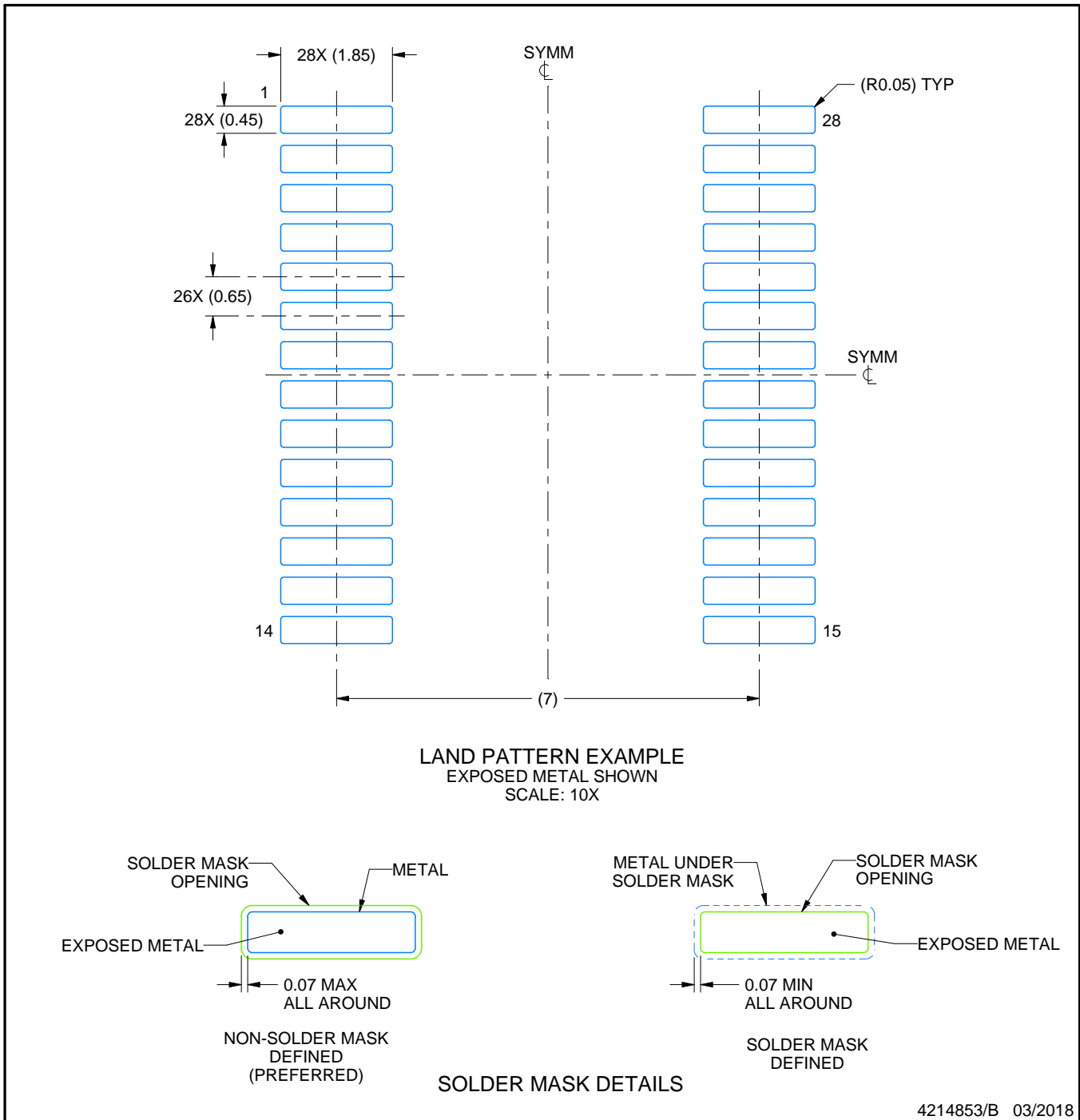
1. All linear dimensions are in millimeters. Any dimensions in parenthesis are for reference only. Dimensioning and tolerancing per ASME Y14.5M.
2. This drawing is subject to change without notice.
3. This dimension does not include mold flash, protrusions, or gate burrs. Mold flash, protrusions, or gate burrs shall not exceed 0.15 mm per side.
4. This dimension does not include interlead flash. Interlead flash shall not exceed 0.25 mm per side.
5. Reference JEDEC registration MO-150.

# EXAMPLE BOARD LAYOUT

DB0028A

SSOP - 2 mm max height

SMALL OUTLINE PACKAGE



NOTES: (continued)

- 6. Publication IPC-7351 may have alternate designs.
- 7. Solder mask tolerances between and around signal pads can vary based on board fabrication site.

# EXAMPLE STENCIL DESIGN

DB0028A

SSOP - 2 mm max height

SMALL OUTLINE PACKAGE



NOTES: (continued)

8. Laser cutting apertures with trapezoidal walls and rounded corners may offer better paste release. IPC-7525 may have alternate design recommendations.
9. Board assembly site may have different recommendations for stencil design.

## 重要声明和免责声明

TI“按原样”提供技术和可靠性数据（包括数据表）、设计资源（包括参考设计）、应用或其他设计建议、网络工具、安全信息和其他资源，不保证没有瑕疵且不做任何明示或暗示的担保，包括但不限于对适销性、某特定用途方面的适用性或不侵犯任何第三方知识产权的暗示担保。

这些资源可供使用 TI 产品进行设计的熟练开发人员使用。您将自行承担以下全部责任：(1) 针对您的应用选择合适的 TI 产品，(2) 设计、验证并测试您的应用，(3) 确保您的应用满足相应标准以及任何其他功能安全、信息安全、监管或其他要求。

这些资源如有变更，恕不另行通知。TI 授权您仅可将这些资源用于研发本资源所述的 TI 产品的应用。严禁对这些资源进行其他复制或展示。您无权使用任何其他 TI 知识产权或任何第三方知识产权。您应全额赔偿因在这些资源的使用中对 TI 及其代表造成的任何索赔、损害、成本、损失和债务，TI 对此概不负责。

TI 提供的产品受 [TI 的销售条款](#) 或 [ti.com](#) 上其他适用条款/TI 产品随附的其他适用条款的约束。TI 提供这些资源并不会扩展或以其他方式更改 TI 针对 TI 产品发布的适用的担保或担保免责声明。

TI 反对并拒绝您可能提出的任何其他或不同的条款。

邮寄地址：Texas Instruments, Post Office Box 655303, Dallas, Texas 75265

Copyright © 2022，德州仪器 (TI) 公司

## X-ON Electronics

Largest Supplier of Electrical and Electronic Components

*Click to view similar products for [RS-232 Interface IC category](#):*

*Click to view products by [Texas Instruments manufacturer](#):*

Other Similar products are found below :

[062191EB](#) [SP508ECF-L](#) [XR32330EBERTR-F](#) [CH438L](#) [HIN202CB](#) [HIN202CBN](#) [HIN202EIB](#) [HIN206CB](#) [HIN206EIA](#) [HIN207EIAZ](#)  
[HIN207EIBZ](#) [HIN208ECB](#) [HIN213EIB](#) [HIN232ACB](#) [HIN232ACBN](#) [HIN232ACP](#) [HIN232CB](#) [HIN232ECP](#) [HIN232IB](#) [HIN232IP](#)  
[HIN238CB](#) [HIN239CB](#) [HIN241CA](#) [ICL232CBE](#) [ICL232IBE](#) [ICL3207ECA](#) [ICL3217ECB](#) [ICL3221CV](#) [ICL3221ECA](#) [ICL3221ECV](#)  
[ICL3221IA](#) [ICL3223CA](#) [ICL3223ECA](#) [ICL3223IA](#) [ICL3225ECA](#) [ICL3232CA](#) [ICL3232CP](#) [ICL3232CV](#) [ICL3232ECB](#) [ICL3232IBN](#)  
[ICL3232IV](#) [ICL3237CA](#) [ICL3237ECA](#) [ICL3238ECA](#) [ICL3241ECA](#) [ICL3243CA](#) [ICL3243CB](#) [ICL3243ECA](#) [ICL3243ECB](#) [ICL3243ECV](#)