

# UCC24630 具有超低待机电流的 同步整流控制器

## 1 特性

- 针对 5V 至 24V 反激系统进行优化的二次侧同步整流 (SR) 控制器
- 工作频率高达 200kHz
- 伏秒平衡 SR 导通时间控制
- 最大限度降低了金属氧化物半导体场效应晶体管 (MOSFET) 器件和布线电感的影响
- 兼容连续导通模式 (CCM)
- 兼容一次侧同步整流 (PSR) 和二次侧同步整流 (SSR) 控制
- 自动低功耗检测和 110 $\mu$ A 待机模式电流
- 宽 VDD 范围: 3.6V 至 28V
- 具有 13V 钳位电压的轨到轨栅极驱动器
- 开路和短路引脚故障保护

## 2 应用

- 5V 至 24V 输出反激和正向转换器
- 带有 Type-C 连接器的 USB-PD 适配器和充电器
- 智能手机和平板电脑充电器
- 笔记本电脑和超极本适配器
- 服务器、台式机和电器应用的高效辅助电源
- 工业用和医疗用开关模式电源 (SMPS)

## 3 说明

UCC24630 SR 控制器是一款高性能控制器和驱动器，面向用于二次侧同步整流的 N 沟道 MOSFET 电源器件。

控制器和 MOSFET 组合构成了一个近似理想的二极管整流器。该解决方案不仅可直接降低整流器的功耗，同时凭借着效率的提高还能够降低一次侧的损耗。

UCC24630 采用伏秒平衡控制方法并且不与 MOSFET 的漏极直接相连，因此在较宽的输出电压范围内都是反激电源的理想选择。SR 驱动关断阈值与 MOSFET  $R_{DS(on)}$  无关，这样可优化最长导通时间。另外，器件和布线电感所导致的二次侧电流振铃也不会影响 SR 关断阈值。

UCC24630 控制器提供了可编程的错误触发滤波器、频率检测器（可在低功耗状态期间自动切换至待机模式）和引脚故障保护。UCC24630 兼容断续导通模式 (DCM)、转换模式 (TM) 和 CCM 三种工作模式。

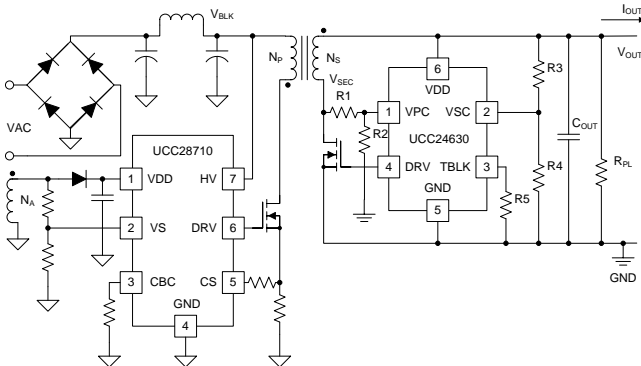
凭借较宽的 VDD 工作范围以及宽范围的可编程 VPC 电压和消隐时间，该器件可应用于各类反激转换器设计。

### 器件信息<sup>(1)</sup>

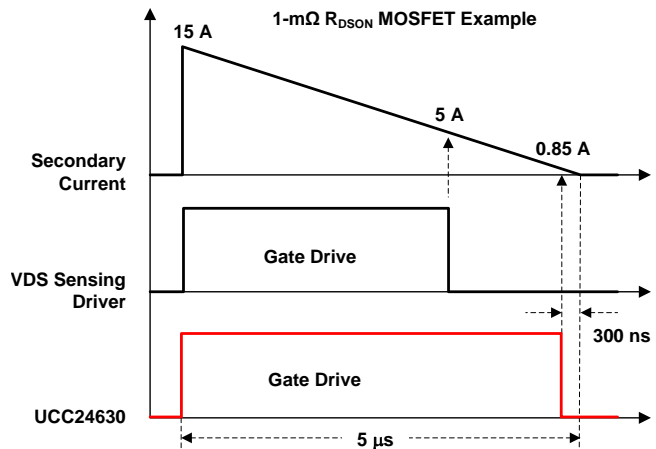
器件型号	封装	封装尺寸 (标称值)
UCC24630	SOT23 (6)	2.92mm x 1.30mm

(1) 要了解所有可用封装，请见数据表末尾的可订购产品附录。

简化电路原理图



栅极驱动时序与 VDS 感测 SR 驱动器间的关系



## 目录

<b>1</b>	特性 .....	<b>1</b>	7.3	Feature Description .....	<b>10</b>
<b>2</b>	应用 .....	<b>1</b>	7.4	Device Functional Modes .....	<b>22</b>
<b>3</b>	说明 .....	<b>1</b>	<b>8</b>	<b>Application and Implementation</b> .....	<b>23</b>
<b>4</b>	修订历史记录 .....	<b>2</b>	8.1	Application Information .....	<b>23</b>
<b>5</b>	<b>Pin Configuration and Functions</b> .....	<b>3</b>	8.2	Typical Application .....	<b>23</b>
<b>6</b>	<b>Specifications</b> .....	<b>4</b>	8.3	Do's and Don'ts .....	<b>29</b>
6.1	Absolute Maximum Ratings .....	<b>4</b>	<b>9</b>	<b>Power Supply Recommendations</b> .....	<b>30</b>
6.2	ESD Ratings .....	<b>4</b>	<b>10</b>	<b>Layout</b> .....	<b>31</b>
6.3	Recommended Operating Conditions .....	<b>4</b>	10.1	Layout Guidelines .....	<b>31</b>
6.4	Thermal Information .....	<b>4</b>	10.2	Layout Example .....	<b>32</b>
6.5	Electrical Characteristics .....	<b>5</b>	<b>11</b>	器件和文档支持 .....	<b>33</b>
6.6	Timing Requirements .....	<b>6</b>	11.1	器件支持 .....	<b>33</b>
6.7	Typical Characteristics .....	<b>7</b>	11.2	商标 .....	<b>33</b>
<b>7</b>	<b>Detailed Description</b> .....	<b>9</b>	11.3	静电放电警告 .....	<b>33</b>
7.1	Overview .....	<b>9</b>	11.4	Glossary .....	<b>33</b>
7.2	Functional Block Diagram .....	<b>9</b>	<b>12</b>	机械、封装和可订购信息 .....	<b>33</b>

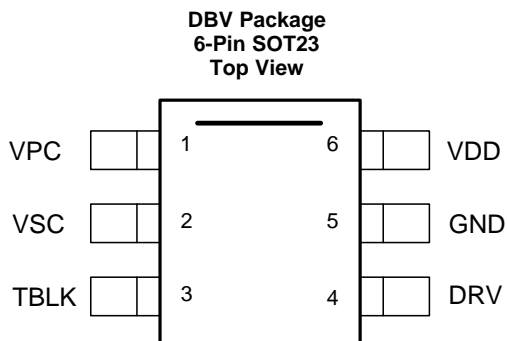
## 4 修订历史记录

### Changes from Original (March 2015) to Revision A

Page

• 已更改 应用部分的拼写错误。 .....	<b>1</b>
------------------------	----------

## 5 Pin Configuration and Functions



### Pin Functions

PIN		I/O <sup>(1)</sup>	DESCRIPTION
NAME	NO.		
DRV	4	O	<b>DRiVe</b> is an output used to drive the gate of an external synchronous rectifier N-channel MOSFET switching transistor, with source pin connected to GND.
GND	5	G	The <b>GrouND</b> pin is both the reference pin for the controller and the low-side return for the drive output. Special care should be taken to return all AC decoupling capacitors as close as possible to this pin and avoid any common trace length with analog signal return paths.
TBLK	3	–	<b>Time BLank</b> pin is used to select the blanking time of the VPC rising edge. A programmable range from 200 ns to 1 $\mu$ s is available to prevent false detection of the primary on-time due to ringing during DCM operation.
VDD	6	P	<b>VDD</b> is the bias supply input pin to the controller. A carefully placed bypass capacitor to GND is required on this pin.
VPC	1	I	The <b>Voltage during Primary Conduction</b> pin is connected to a resistor divider from the SR MOSFET drain. This pin determines a sample of the primary-side MOSFET volt seconds during the primary on-time. This voltage programs a voltage controlled current source for the internal VPC ramp charging current.
VSC	2	I	The <b>Voltage during Secondary Conduction</b> pin is connected to a resistor divider from the power-supply output. This pin determines a sample of the secondary-side output voltage used to determine SR MOSFET conduction time. This voltage programs a voltage controlled current source for the internal VSC ramp charging current.

(1) P = Power, G = Ground, I = Input, O = Output, I/O = Input/Output

## 6 Specifications

### 6.1 Absolute Maximum Ratings

over operating free-air temperature range (unless otherwise noted) <sup>(1)</sup>

		MIN	MAX	UNIT
V <sub>VDD</sub>	Bias supply voltage, VDD	-0.3	30	V
I <sub>DRV</sub>	Continuous gate current sink, DRV		50	mA
I <sub>DRV</sub>	Continuous gate current source, DRV		-50	mA
I <sub>VPC</sub>	Peak VPC pin current		-1.2	mA
V <sub>DRV</sub>	Gate drive voltage at DRV	-0.3	Self limiting	V
V <sub>VPC</sub> , V <sub>VSC</sub>	Voltage range, VPC, VSC	-0.3	4.5	V
T <sub>J</sub>	Operating junction temperature range	-55	150	°C
T <sub>L</sub>	Lead temperature 0.6 mm from case for 10 seconds		260	°C
T <sub>STG</sub>	Storage temperature	-65	150	°C

- (1) Stresses beyond those listed under *Absolute Maximum Ratings* may cause permanent damage to the device. These are stress ratings only, which do not imply functional operation of the device at these or any other conditions beyond those indicated under *Recommended Operating Conditions*. Exposure to absolute-maximum-rated conditions for extended periods may affect device reliability.

### 6.2 ESD Ratings

		VALUE	UNIT
V <sub>(ESD)</sub>	Electrostatic discharge	Human-body model (HBM), per ANSI/ESDA/JEDEC JS-001 <sup>(1)</sup>	±2000
		Charged-device model (CDM), per JEDEC specification JESD22-C101 <sup>(2)</sup>	±500
			V

- (1) JEDEC document JEP155 states that 2000-V HBM allows safe manufacturing with a standard ESD control process. Pins listed as ±2000 V may actually have higher performance.
- (2) JEDEC document JEP157 states that 500-V CDM allows safe manufacturing with a standard ESD control process. Pins listed as ±500 V may actually have higher performance.

### 6.3 Recommended Operating Conditions

over operating free-air temperature range (unless otherwise noted)

		MIN	MAX	UNIT
V <sub>VDD</sub>	Bias supply operating voltage	3.75	28	V
C <sub>VDD</sub>	VDD bypass capacitor	0.47		μF
T <sub>J</sub>	Operating junction temperature	-40	125	°C
V <sub>VPC</sub> , V <sub>VSC</sub>	Operating Range	-0.3	2.3	V

### 6.4 Thermal Information

THERMAL METRIC <sup>(1)</sup>		UCC24630	UNIT
		DBV (6 Pins)	
R <sub>θJA</sub>	Junction-to-ambient thermal resistance	180	°C/W
R <sub>θJC(top)</sub>	Junction-to-case (top) thermal resistance	71.2	
R <sub>θJB</sub>	Junction-to-board thermal resistance	44	
ψ <sub>JT</sub>	Junction-to-top characterization parameter	5.1	
ψ <sub>JB</sub>	Junction-to-board characterization parameter	13.8	

- (1) For more information about traditional and new thermal metrics, see the *IC Package Thermal Metrics* application report, [SPRA953](#).

## 6.5 Electrical Characteristics

Over operating free-air temperature range, VDD = 12V, TA = -40°C to 125°C, TA = TJ (unless otherwise noted)

PARAMETER		TEST CONDITION	MIN	TYP	MAX	UNIT
<b>SUPPLY INPUT</b>						
IRUN	Supply current, run	IDRV = 0, run state, FSW = 0 kHz		0.9	1.2	mA
ISTBY	Supply current, standby	IDRV = 0, standby mode		110	160	μA
<b>UNDER-VOLTAGE LOCKOUT</b>						
VVDD(on)	VDD turn-on threshold	VVDD low to high	3.9	4	4.3	V
VVDD(off)	VDD turn-off threshold	VVDD high to low	3.3	3.6	3.7	V
<b>DRV</b>						
RDRVLS	DRV low-side drive resistance	IDRV = 100 mA		1	2	Ω
VDRVST	DRV pull down in start-up	VDD = 0 to 2 V, IDRV = 10 μA			0.95	V
VDRCL	DRV clamp voltage	VVDD = 30 V	11	13	15	V
VPMOS	Disable PMOS high-side drive	VDD voltage to disable rail-to-rail drive, VDD rising	9.3	10	10.5	V
VPMOS-HYS	PMOS enable hysteresis	VDD voltage hysteresis to enable rail to rail drive, VDD falling	0.75	1	1.25	V
VDRHI	DRV pull-up high voltage	VVDD = 5 V, IDRV = 15 mA	4.6	4.75	5	V
<b>VSC INPUT</b>						
VVSCEN	SR enable voltage	VVSC > VVSCEN, VVSC rising	250	300	340	mV
VVSC-HYS	SR enable hysteresis	VVSC falling		50		mV
VVSCDIS	SR disable voltage		220		280	mV
IVSC	Input bias current	VVSC = 2 V	-0.25	0	0.4	μA
<b>VPC INPUT</b>						
VVPCEN	SR enable voltage	VVPCEN < VVPC	345	400	450	mV
VVPCDIS	VPC threshold to disable SR	VVPC > VVPCDIS	2.6	2.85	3.1	V
VVPC-TH	Threshold of VVPC rising edge	VVPC = 0.95 V, VVPC-TH = 0.85 x VVPC previous cycle	0.76	0.808	0.86	V
VVPC-TH-CLP	Clamp threshold of VVPC rising edge	VVPC = 2 V	0.9	1	1.1	V
IVPC	Input bias current	VVPC = 2 V	-0.25	0	0.4	μA
<b>CURRENT EMULATOR</b>						
RatioVPC_VSC	KVPC/KVSC	VVPC = 1.25 V, tVPC = 1 μs, VVSC = 1.25 V	3.97	4.17	4.35	
		VVPC = 1.25 V, tVPC = 5 μs, VVSC = 1.25 V	3.95	4.17	4.37	
		VVPC = 2 V, tVPC = 1 μs, VVSC = 1.25 V	3.85	4.09	4.26	
		VVPC = 1.25 V, tVPC = 1 μs, VVSC = 0.45 V	3.85	4.07	4.28	
<b>CCM DEAD TIME</b>						
KCCM-FAULT	If tSW (N+1) > tSW (N) x KCCM-FAULT, disable SR		140%	150%	165%	
nCCM-FLT	Number of cycles to exit CCM fault if tSW (N+1) < tSW (N) x KCCM-FAULT			4		

## Electrical Characteristics (continued)

Over operating free-air temperature range,  $V_{DD} = 12V$ ,  $T_A = -40^{\circ}C$  to  $125^{\circ}C$ ,  $T_A = T_J$  (unless otherwise noted)

PARAMETER		TEST CONDITION	MIN	TYP	MAX	UNIT
<b>STANDBY OPERATION</b>						
$n_{ENTO}$	Number of switching cycles to enter standby operation during $t_{ENTO}$			64		
$n_{EN}$	Number of switching cycles to exit standby operation during $t_{EN}^{(1)}$			32		
<b>OVER TEMPERATURE PROTECTION</b>						
$T_{(STOP)}$	Thermal shutdown temperature	Internal junction temperature		165		$^{\circ}C$

(1) The device exits standby operation as soon as  $n_{EN}$  occurs within  $t_{EN}$ .

## 6.6 Timing Requirements

Over operating free-air temperature range,  $V_{DD} = 12V$ ,  $T_A = -40^{\circ}C$  to  $125^{\circ}C$ ,  $T_A = T_J$  (unless otherwise noted)

PARAMETER		TEST CONDITION	MIN	TYP	MAX	UNIT
<b>DRV</b>						
$t_R$	DRV high-side rise time	$V_{VDD} = 12V$ , $C_L = 3.3nF$ , $V_{DRV} = 2V$ to $8V$		27	54	ns
		$V_{VDD} = 5V$ , $C_L = 3.3nF$ , $V_{DRV} = 1V$ to $4V$		50	100	ns
$t_F$	DRV low-side fall time	$V_{VDD} = 12V$ , $C_L = 3.3nF$ , $V_{DRV} = 8V$ to $2V$		20	54	ns
		$V_{VDD} = 5V$ , $C_L = 3.3nF$ , $V_{DRV} = 4V$ to $1V$		15	50	ns
$t_{DRVON}$	Propagation delay to DRV High	$V_{VPC} = 1V$ to $-0.05V$ falling to DRV high, $V_{VDD} = 12V$ , $V_{DRV} = 0V$ to $2V$		80	160	ns
$t_{DRVOFF}$	Propagation delay to DRV Low	Test mode		65	95	ns
<b>VPC Input</b>						
$t_{VPC-SPL}$	VPC sampling time window		81	100	125	ns
$t_{VPC-BLK}$	Minimum VPC pulse for SR DRV operation	$R_{TBLK} = 5k\Omega$	169	203	239	ns
		$R_{TBLK} = 50k\Omega$	0.87	1.04	1.2	$\mu s$
<b>SR On Control</b>						
$t_{SRONMIN}$	SR minimum on time after VPC falling.		300	350	425	ns
$t_{OFF}$	SR off blanking time from DRV falling.		2.35	2.5	2.65	us
<b>CCM Dead Time</b>						
$t_{CCMDT}$	SR turn-off dead time in CCM cycle limit	$F_{SW} = 100kHz$ , $R_{TBLK} = 50k\Omega$ ( $1\mu s$ $t_{VPC-BLK}$ setting)	500	600	700	ns
<b>Standby Operation</b>						
$t_{ENTO}$	Time to disable SR operation, enter standby	Time to disable DRV	11.5	12.8	14.1	ms
$t_{EN}$	Time to enable SR operation, exit standby operation	Time to enable DRV <sup>(1)</sup>	2.3	2.56	2.82	ms

(1) The device exits standby operation as soon as  $n_{EN}$  occurs within  $t_{EN}$ .

### 6.7 Typical Characteristics

$V_{VDD} = 12\text{ V}$ ,  $T_J = 25^\circ\text{C}$ , unless otherwise noted.

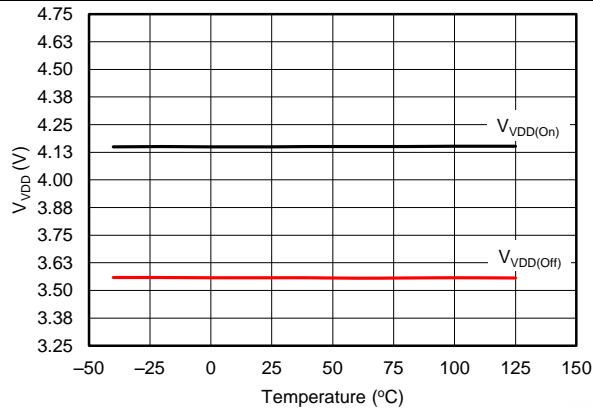


Figure 1. VDD Turn-On and Turn-Off Threshold vs Temperature

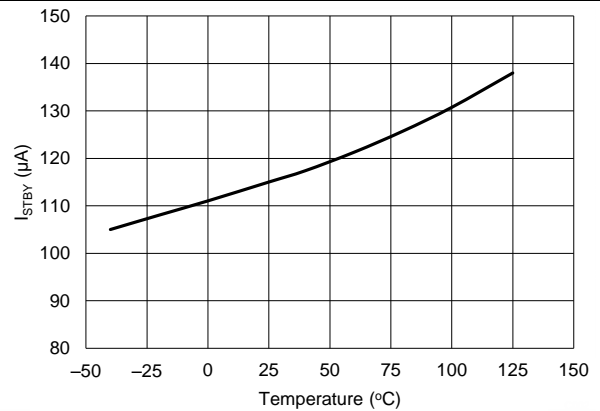


Figure 2. Standby Current vs Temperature

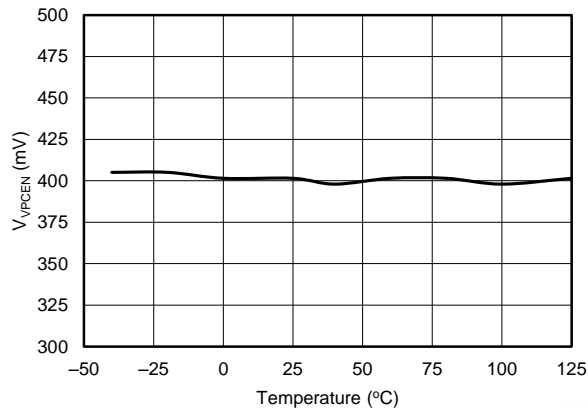


Figure 3. VPC Enable Threshold vs Temperature

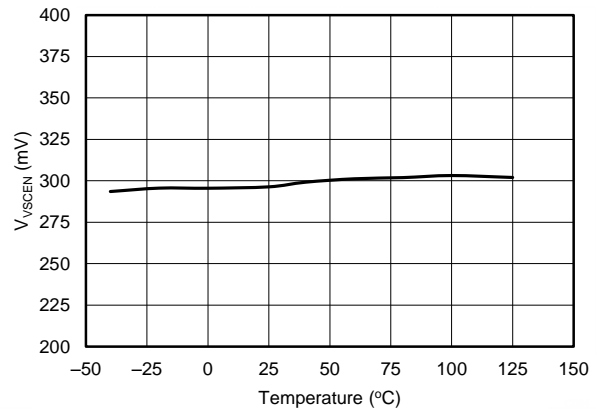


Figure 4. VSC Enable Threshold vs Temperature

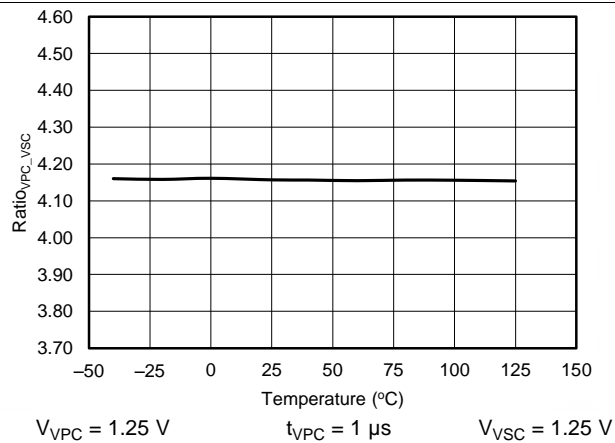


Figure 5. VPC-to-VSC Ramp Gain Ratio vs Temperature

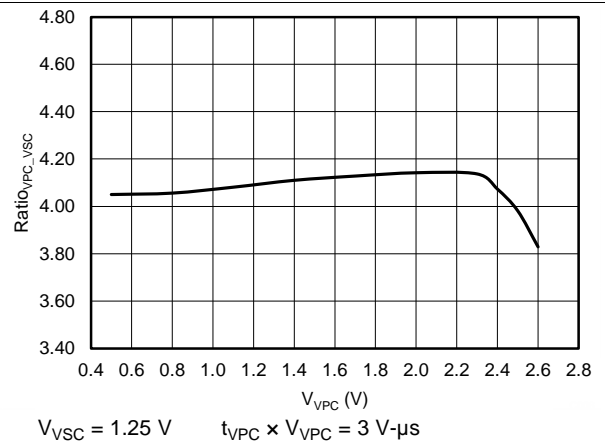


Figure 6. VPC-to-VSC Ramp-Gain Ratio vs VPC Voltage

### Typical Characteristics (continued)

$V_{VDD} = 12\text{ V}$ ,  $T_J = 25^\circ\text{C}$ , unless otherwise noted.

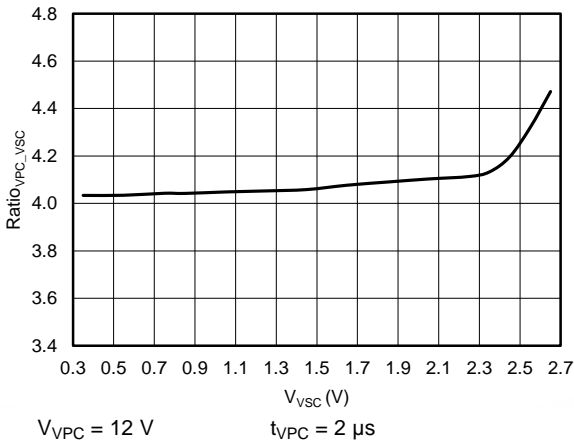


Figure 7. VPC-to-VSC Ramp-Gain Ratio vs VSC Voltage

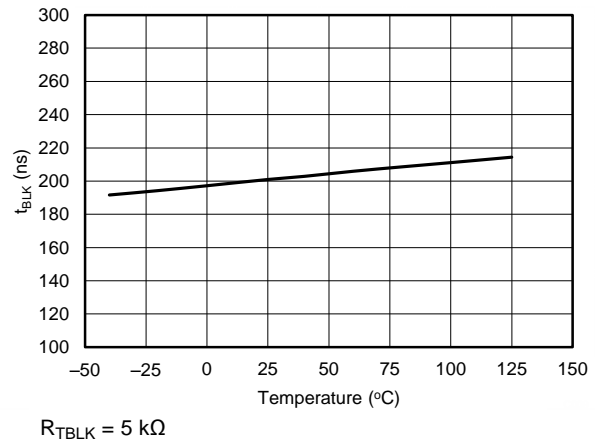


Figure 8. VPC Blanking Time vs Temperature (minimum setting)

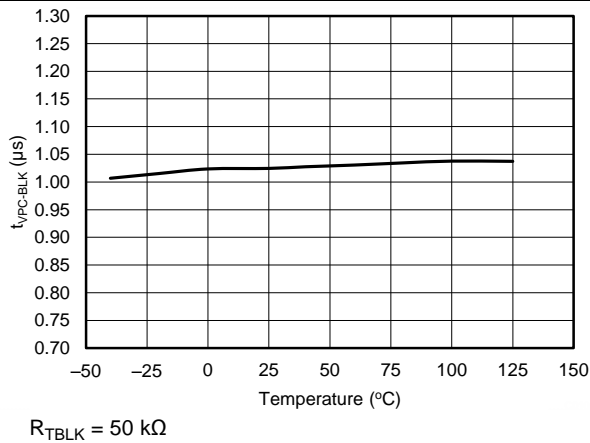


Figure 9. VPC Blanking Time vs Temperature (maximum setting)

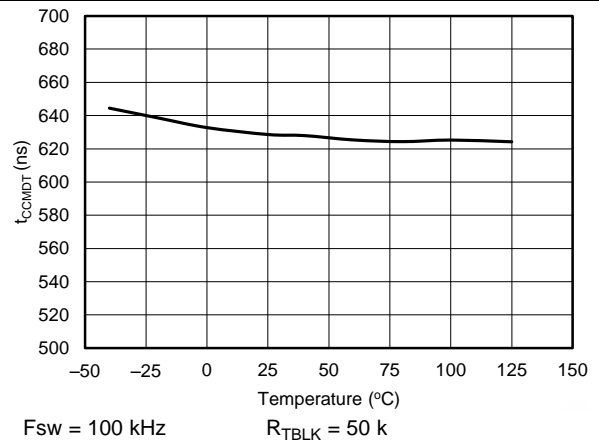


Figure 10. CCM Dead Time vs Temperature

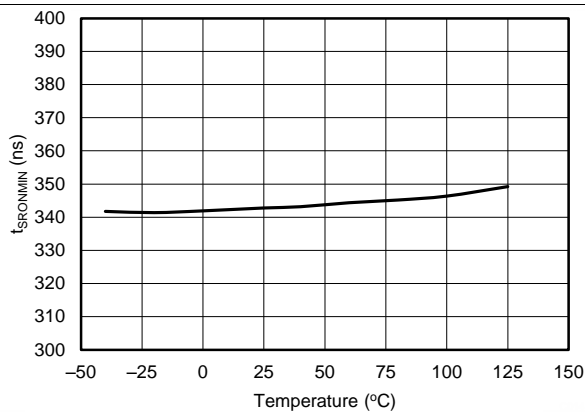


Figure 11. DRV Minimum On Time vs Temperature

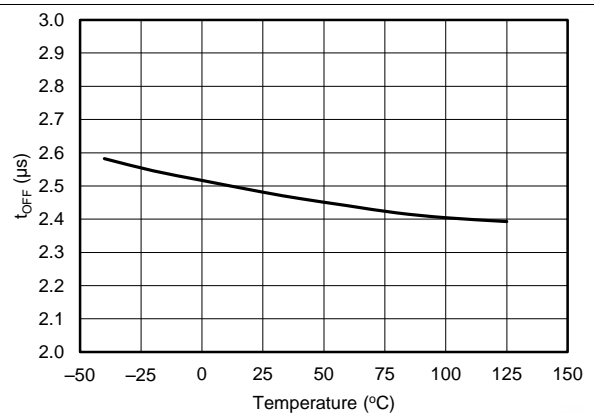


Figure 12. DRV Minimum Off Time vs Temperature



## 7 Detailed Description

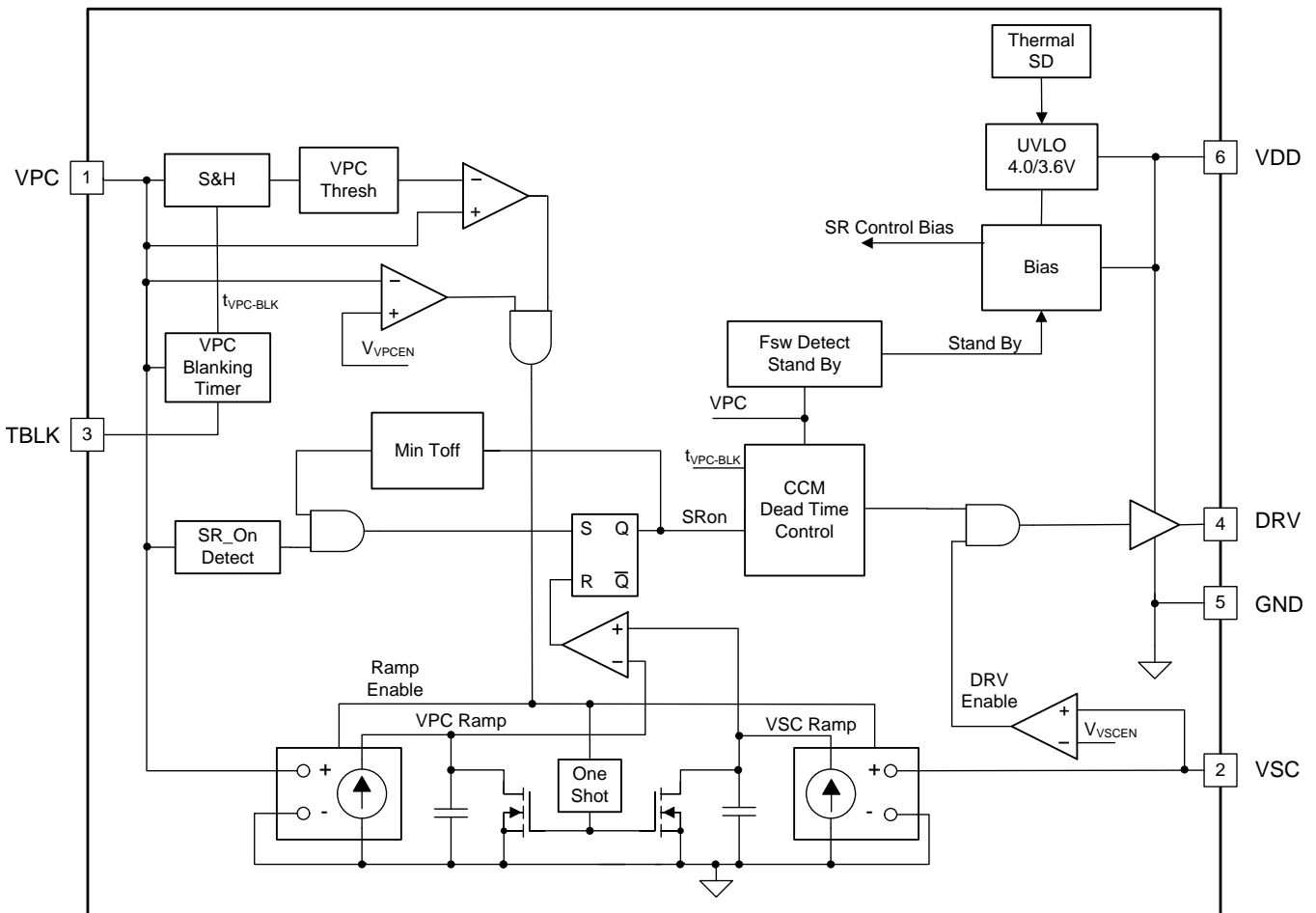
### 7.1 Overview

The UCC24630 SR controller is targeted for flyback converters operating in DCM, TM, and CCM modes of operation. The control method to determine SR on time is based on the volt-second balance principle of primary and secondary conduction volt-second product. In converters operating in DCM and TM, the secondary current always returns to zero in each cycle. In CCM operation, volt-second balance occurs in steady state operation. The inductor charge voltage and time product is equal to the discharge voltage and time product. The device uses internal current ramp emulators to predict the proper SR on time based on voltage and time information on the VPC and VSC pins.

In CCM converters during the transition from DCM operation into CCM, volt-second balance does not occur for a number of cycles. In this case CCM operation compatibility is achieved by limiting the maximum SR MOSFET on time with a CCM dead time function based on the previous switching period. There is fault protection to disable the SR in the event the operating periods become unstable during extreme operating transients.

To achieve very low standby power in the converter, the UCC24630 has a standby mode of operation that disables the SR MOSFET drive and reduces the device bias current to  $I_{STBY}$ . The device monitors the average switching frequency of the converter to enter and exit the standby mode of operation, and is compatible with converters operating in burst mode or constant frequency in light-load mode.

### 7.2 Functional Block Diagram

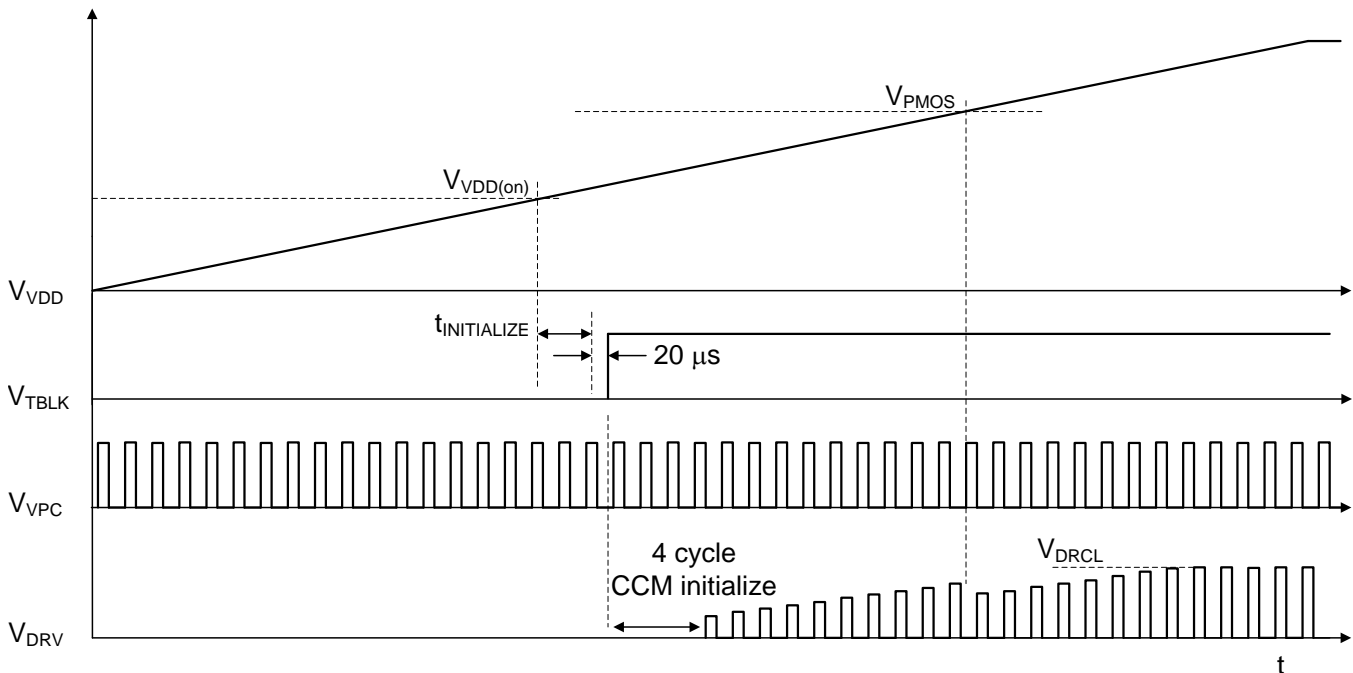


## 7.3 Feature Description

### 7.3.1 Start Up and UVLO

The UCC24630 features a wide operating VDD range and low UVLO thresholds. The start up of the device is dependent on voltage levels on three pins: VDD, VPC and VSC. The VDD pin can be directly connected to the power supply output on converters from 5-V to 24-V nominal outputs. The start UVLO threshold is  $V_{VDD(on)}$ , 4.0 V typical, and stop threshold is  $V_{VDD(off)}$ , 3.6 V typical. The DRV output is not enabled unless the voltage on the VPC pin is greater than  $V_{VPCEN}$  for a time longer than  $t_{VPC-BLK}$  and the voltage on the VSC pin is greater than  $V_{VSCEN}$ . Once the VDD, VSC and VPC voltage and time thresholds are met, there is an internal initialization time and a four-cycle-initialization start sequence before the DRV output is enabled.

Refer to [Figure 13](#) for a startup sequence that illustrates the timing sequence and configurable DRV output based on VDD level. In most converter designs, the conditions for the VPC and VSC voltage to enable the device are met before the VDD start-voltage threshold, this is reflected in the timing diagram. When VDD exceeds  $V_{VDD(on)}$  UVLO threshold the device starts the initialization sequence of 150  $\mu$ s to 250  $\mu$ s illustrated as  $t_{INITIALIZE}$ . After the device initialization, there is a logic initialization of 20  $\mu$ s at which time  $V_{TBLK}$  is enabled (high). After the device is enabled, the CCM dead-time block requires four cycles to initialize the dead-time control before the DRV output is enabled. At  $V_{VDD} < V_{PMOS}$  the driver high-side PMOS device is enabled and the DRV peak will be close to VDD. When VDD exceeds  $V_{PMOS}$  the PMOS device is disabled and the driver is operating as a high-side NMOS only and DRV is approximately 1.2 V to 1.5 V lower than VDD. As VDD continues to increase, the DRV output is limited to  $V_{DRCL}$  regardless of VDD up to the recommended maximum rating.



**Figure 13. Start-Up Operation**

Feature Description (continued)

7.3.2 Volt-Sec SR Driver On-Time Control

Refer to the timing diagrams in Figure 14 and Figure 15 for functional details of the UCC24630 volt-sec on-time control.

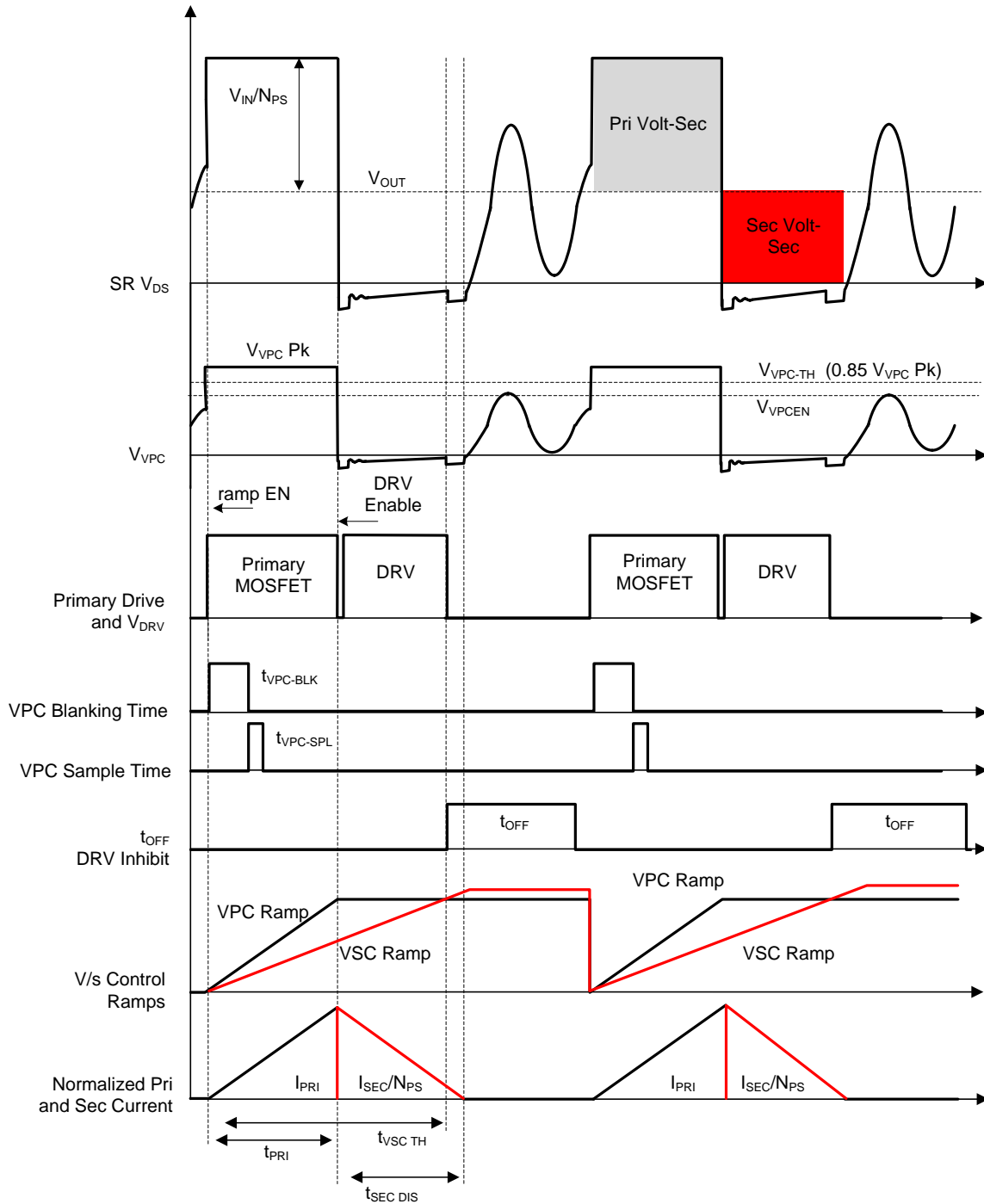


Figure 14. Operation in DCM

Feature Description (continued)

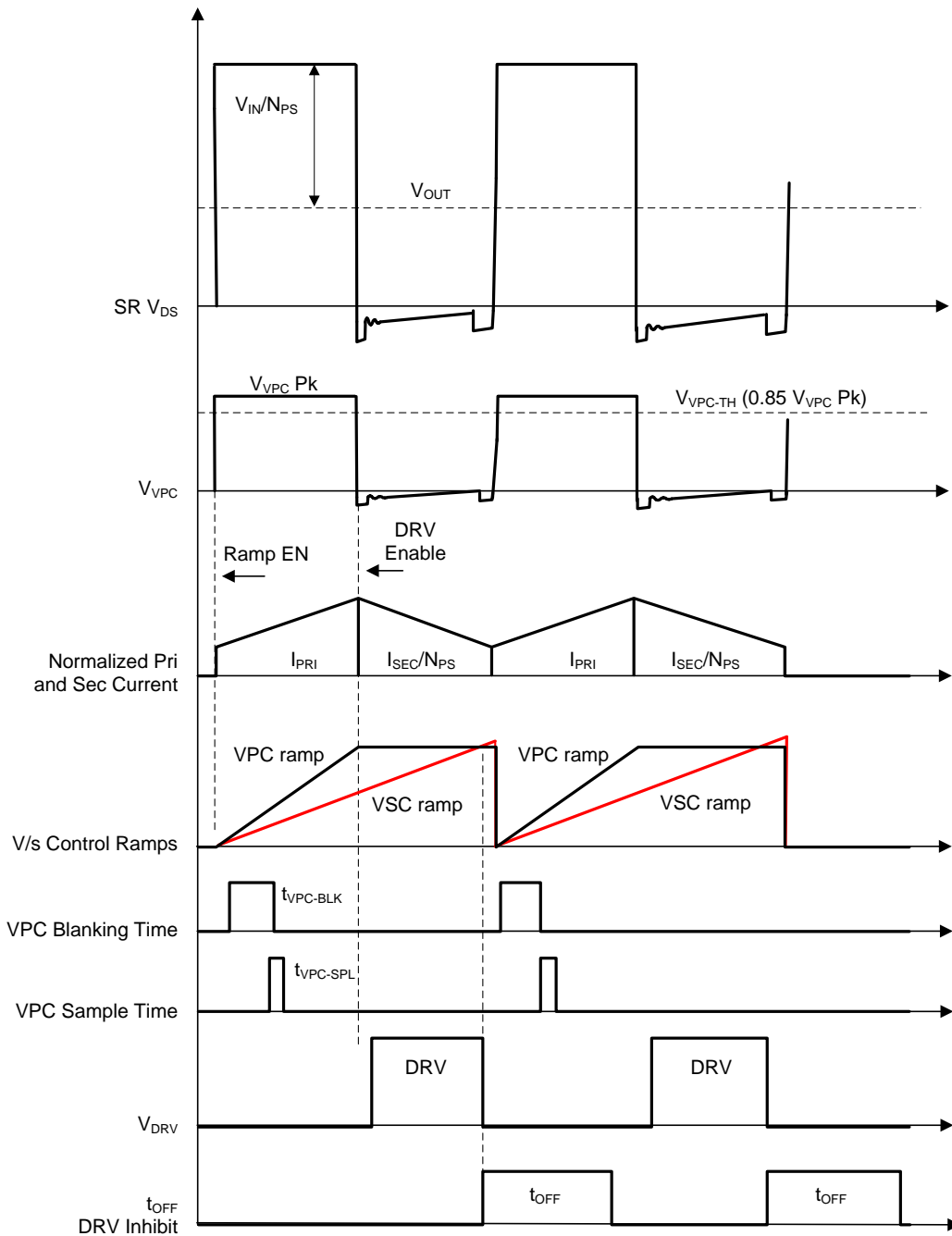


Figure 15. Operation in CCM

## Feature Description (continued)

The UCC24630 uses the VPC and VSC pins to sense the SR MOSFET  $V_{DS}$  voltage and converter  $V_{OUT}$  voltage through resistor dividers. The information of  $V_{IN}/N_{PS}$ ,  $t_{PRI}$ , and  $V_{OUT}$  can be obtained from the information on VPC and VSC pins. The SR MOSFET turn on is determined when the SR MOSFET body diode starts conducting and the VPC pin voltage falls to near zero; the SR MOSFET turn off is determined by the current emulator control ramps. The SR timing determined by the volt-sec balance function is the dominant mode of operation with all flyback converters, including CCM.

The UCC24630 volt-sec control generates the internal VPC ramp and VSC ramp to emulate the transformer Volt-Sec balancing as shown in [Figure 14](#) and [Figure 15](#).

The secondary current discharge time,  $t_{SEC-DIS}$  can be determined indirectly. The primary volt-sec ramp and secondary volt-sec ramp both start when VPC rises above  $V_{VPC-EN}$  and  $V_{VPC-TH}$ . The charge currents for the VPC and VSC ramps are determined by the voltage on the VPC and VSC pins respectively.

When VPC is higher than  $V_{VPC-EN}$  and  $V_{VPC-TH}$  for  $t > t_{VPC-BLK}$ , the VPC pulse is qualified as a primary conduction pulse and the SR can be enabled on the VPC falling edge. The VPC ramp continues to rise until the VPC falling edge based on the real time voltage on the VPC pin and holds the peak for the cycle. The DRV output is turned on during the VPC falling edge near zero volts, and DRV is turned off when the VSC rising ramp crosses the VPC ramp held level.

Both VPC and VSC ramps are reset to zero on each VPC rising edge above the  $V_{VPC-EN}$  and  $V_{VPC-TH}$  thresholds.

To discriminate primary on-time pulses from DCM ringing, there are voltage and time criteria that must be satisfied on the VPC pin to enable the DRV output.  $t_{VPC-BLK}$  can be adjusted through the resistor on TBLK pin.

At the rising edge of VPC when the voltage exceeds  $V_{VPC-EN}$  and  $V_{VPC-TH}$  the blanking time  $t_{VPC-BLK}$  is initiated. At the end of  $t_{VPC-BLK}$ , the VPC voltage is sampled during  $t_{VPC-SPL}$  window, which is 100 ns nominal. Also at the end of  $t_{VPC-BLK}$ , the DRV output can be enabled.

The VPC voltage sampled during  $t_{VPC-SPL}$  determines the VPC dynamic threshold  $V_{VPC-TH}$  which is normally 85% of the sampled VPC voltage. The dynamic threshold provides the ability to reject the DCM ringing and detect the primary on-time. Noise immunity during the turn-on event of DRV at the falling edge of the VPC pin is enhanced by a minimum DRV on time of  $t_{SRONMIN}$ , which is 350 ns nominal.

During the falling edge of DRV, the  $t_{OFF}$  timer is initiated which inhibits turn on of the SR until  $t_{OFF}$  expires. This eliminates false turn on of DRV if the DCM ringing is close to ground.

### Feature Description (continued)

The UCC24630 is designed to operate in a variety of flyback converter applications over a wide operating range. The internal volt-sec control ramps do have a dynamic range limit based on volt-sec on the VPC pin. As shown in Figure 16, a Volt-sec product exceeding 7 V- $\mu$ s on the VPC pin will result in saturation of the VPC volt-sec control ramp. Operation beyond this point results in a DRV on-time less than expected. For example, if  $V_{VPC} = 0.5$  V,  $t_{VPC}$  should be < 14  $\mu$ s, or if  $V_{VPC} = 2.0$  V,  $t_{VPC}$  should be < 3.5  $\mu$ s, to operate within the dynamic range of the device. Assuming a converter operating in transition mode at low line and full load with a 50% duty cycle, the operating period is 28  $\mu$ s which results in a frequency that is under 40 kHz. The UCC24630 low-frequency operating range extends to the standby mode threshold of 5 kHz; but each switching cycle  $V_{VPC}$  Volt-sec product should be less than 7 V- $\mu$ s.

The device can support switching frequencies exceeding 200 kHz but the following timing limits need to be confirmed to be compatible with the power train. The minimum primary on time when the device is expected to be active needs to be compatible with the minimum VPC blanking time ( $t_{VPC-BLK}$ ) setting of 203 ns plus the sampling window ( $t_{VPC-SPL}$ ) of 100 ns. The minimum secondary blanking current conduction time should be less than the minimum SR on time ( $t_{SR(min)}$ ) of 350 ns. The minimum time from the SR drive turn off until the next SR drive turn on should be greater than the SR minimum off time ( $t_{OFF}$ ) of 2.5  $\mu$ s.

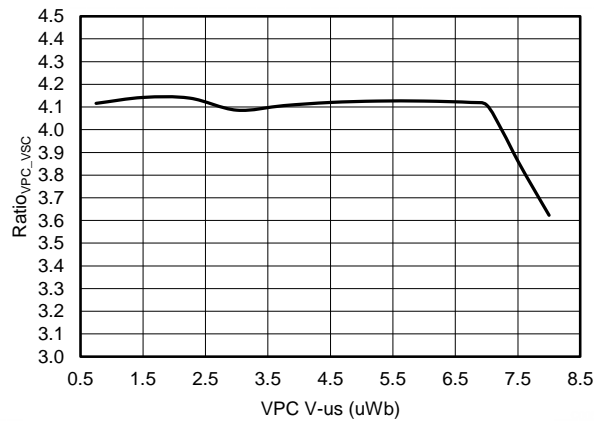


Figure 16. Ratio<sub>VPC\_VSC</sub> vs VPC V- $\mu$ s

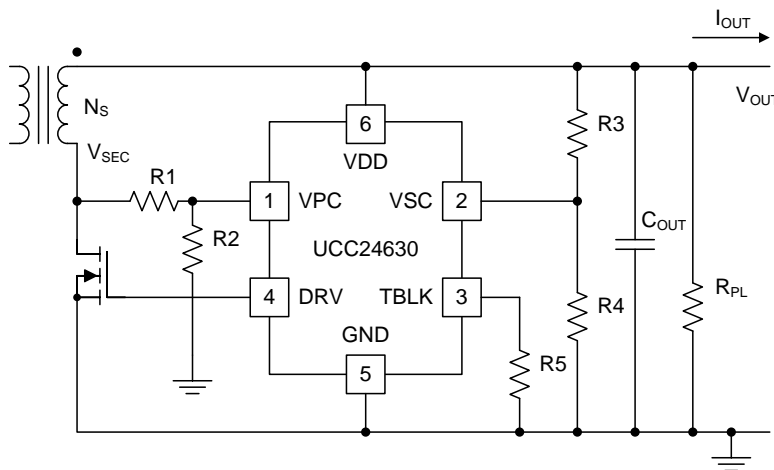


Figure 17. SR Controller Components

## Feature Description (continued)

Determining the VPC and VSC divider resistors is based on the operating voltage ranges of the converter and Ratio<sub>VPC\_VSC</sub> gain ratio. Referring to [Figure 17](#), the following equation determines the VPC divider values.

For R2 a value of 10 kΩ is recommended for minimal impact on time delay, and low-resistor dissipation. A higher R2 value reduces resistor divider dissipation but may increase the DRV turn-on delay due to the time constant of ~2 pF pin capacitance and divider resistance. A lower R2 value can be used with the tradeoff of higher dissipation in the resistor divider. A factor of 10% over the VPC threshold, V<sub>VPCEN</sub>, is shown in [Equation 1](#) for design margin.

$$R1 = \frac{\left[ \left( \frac{V_{IN(min)}}{N_{PS}} + V_{OUT(min)} \right) - V_{VPCEN} \times 1.1 \right] \times R2}{V_{VPCEN} \times 1.1}$$

where

- V<sub>IN(min)</sub> is the converter minimum primary bulk capacitor voltage.
- V<sub>OUT(min)</sub> is the minimum converter output voltage in normal operation.
- V<sub>VPCEN</sub> is the VPC enable threshold, use the specified maximum value.
- N<sub>PS</sub> is the transformer primary to secondary turns ratio. (1)

The operating voltage range on the VPC pin should be within the range of 0.45 V < V<sub>VPC</sub> < 2 V. Referring to [Figure 6](#), if V<sub>VPC</sub> is greater than 2.3 V the dynamic range is exceeded and Ratio<sub>VPC\_VSC</sub> is reduced; in this condition the DRV on time is less than expected. If V<sub>VPC</sub> is greater than 2.6 V for 500 ns, a fault is generated and DRV is disabled for the cycle, refer to [Pin Fault Protection](#). To ensure the maximum voltage is within range confirm with [Equation 2](#).

$$V_{VPC(max)} = \frac{\left( \frac{V_{IN(max)}}{N_{PS}} + V_{OUT(max)} \right) \times R2}{R1 + R2}$$

where

- V<sub>IN(max)</sub> is the converter maximum primary bulk capacitor voltage.
- V<sub>OUT(max)</sub> is the maximum converter output voltage at OVP.
- N<sub>PS</sub> is the transformer primary-to-secondary turns ratio. (2)

The program voltage on the VSC pin is determined by the VPC divider ratio and the device's parameter Ratio<sub>VPC\_VSC</sub>. The current emulator ramp gain is higher on the VPC pin by the multiple Ratio<sub>VPC\_VSC</sub>, so the VSC resistor divider ratio is reduced by the same Ratio<sub>VPC\_VSC</sub> accordingly. Determine the VSC divider resistors using equation 3 below. To minimize resistor divider dissipation, a recommended range for R4 is 25 kΩ to 50 kΩ. Higher R4 values results in increasing offset due to VSC input current, I<sub>VSC</sub>. Lower R4 values increases the resistor divider dissipation. To ensure DRV turn off slightly before the secondary current reaches zero, 10% margin is shown for initial values. Use a nominal value of 4.15 for Ratio<sub>VPC\_VSC</sub>.

$$R3 = \left[ \left( \frac{\frac{R1 + R2}{R2}}{\text{Ratio}_{VPC\_VSC} \times 1.1} \right) - 1 \right] \times R4$$

where

- Ratio<sub>VPC\_VSC</sub> is the device parameter VPC and VSC gain ratio, use a value of 4.15. (3)

## Feature Description (continued)

The operating voltage on the VSC pin should be within the range of  $0.3\text{ V} < V_{VSC} < 2\text{ V}$ . Referring to [Figure 7](#), if  $V_{VSC}$  is greater than 2.3 V, the dynamic range is exceeded and  $\text{Ratio}_{VPC\_VSC}$  is increased; in this condition the DRV on time is more than expected. To ensure the VSC voltage is within range confirm with [Equation 4](#) and [Equation 5](#).

$$\frac{R4}{R3 + R4} \times V_{OUT(min)} \geq 0.3\text{V} \quad (4)$$

$$\frac{R4}{R3 + R4} \times V_{OUT(max)} \leq 2.0\text{V}$$

where

- $V_{OUT(min)}$  is the minimum converter output operating voltage of the SR controller.
- $V_{OUT(max)}$  is the maximum converter output operating voltage of the voltage at OVP. (5)

Discrimination of ringing during DCM operation from valid primary on-time is achieved by a dynamic VPC rising threshold and programmable blanking time. The dynamic threshold  $V_{VPC-TH}$  is 85% typical ratio of the previous VPC pin peak voltage. Referring to [Figure 14](#), the VPC pin voltage is sampled after the VPC voltage is greater than  $V_{VPCEN}$  and  $V_{VPC-TH}$  for  $t > t_{VPC-BLK}$ . The function of the dynamic threshold  $V_{VPC-TH}$  is to reject the ringing in DCM operation from the primary conduction pulses. The dynamic threshold has an active range from the minimum  $V_{VPCEN}$  voltage to a maximum of 1 V clamp. The blanking time is programmable from 200 ns to 1  $\mu\text{s}$  in order to accommodate a variety of converter designs.

Refer to [Figure 18](#) for guidance on selecting the blanking time. The blanking time should be selected as long as reasonable and still accommodate the minimum primary on-time at light-load condition and high-line voltage. In the high-line minimum load condition, select a blanking time that meets the following criteria ([Equation 6](#)) to accommodate tolerance of the blanking time and the  $t_{VPC-SPL}$  sampling time window.

$$t_{VPC-BLK} = (t_{PRI} \times 0.85) - 120\text{ ns} \quad (6)$$

For rejection of DCM ringing, the blanking time should be longer than the time that the ring is above the  $V_{VPC-TH}$  dynamic threshold, which is 85% of the minimum SR VDS peak voltage. Determine these criteria at low line and maximum load condition. It is recommended that the transformer turns ratio be selected such that the secondary reflected voltage is  $< 85\%$  of  $V_{IN(min)}$  bulk capacitor voltage at the highest load when DCM operation occurs at the low line input condition.

To determine the resistor value for  $t_{VPC-BLK}$  use [Equation 7](#) to select from a range of 200 ns to 1  $\mu\text{s}$ .

$$R5 = \frac{t_{VPC-BLK} - 100\text{ ns}}{18\text{ pF}}$$

where

- $t_{VPC-BLK}$  is the target blanking time. (7)

Additional discrimination for proper SR timing control is provided by the  $t_{OFF}$  function. Refer to [Figure 14](#) and [Figure 15](#) for the timing details. After the DRV turn off, the DRV is inhibited from turning on again until the  $t_{OFF}$  timer expires. This protects against SR false turn on from SR  $V_{DS}$  DCM ringing below ground.



Feature Description (continued)

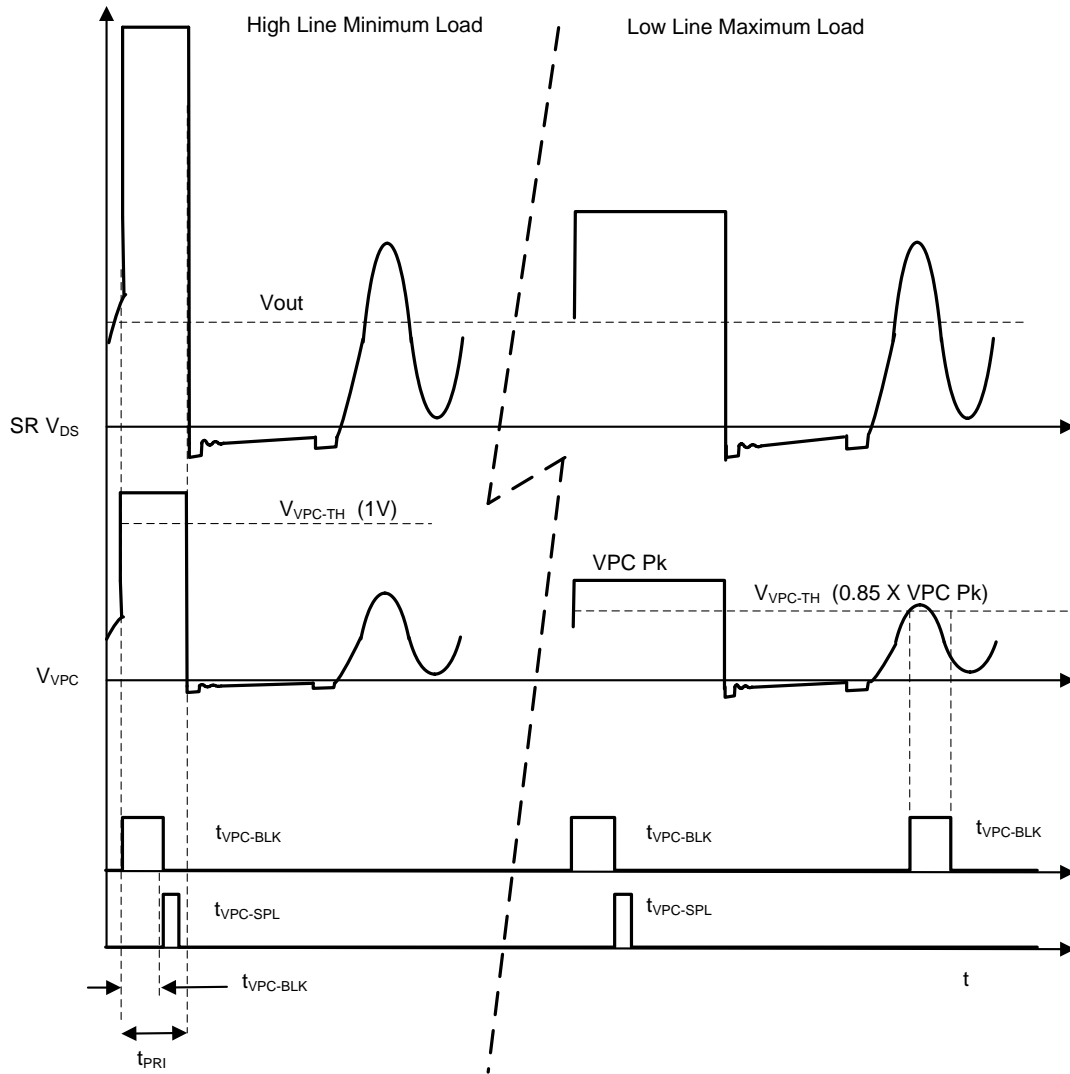
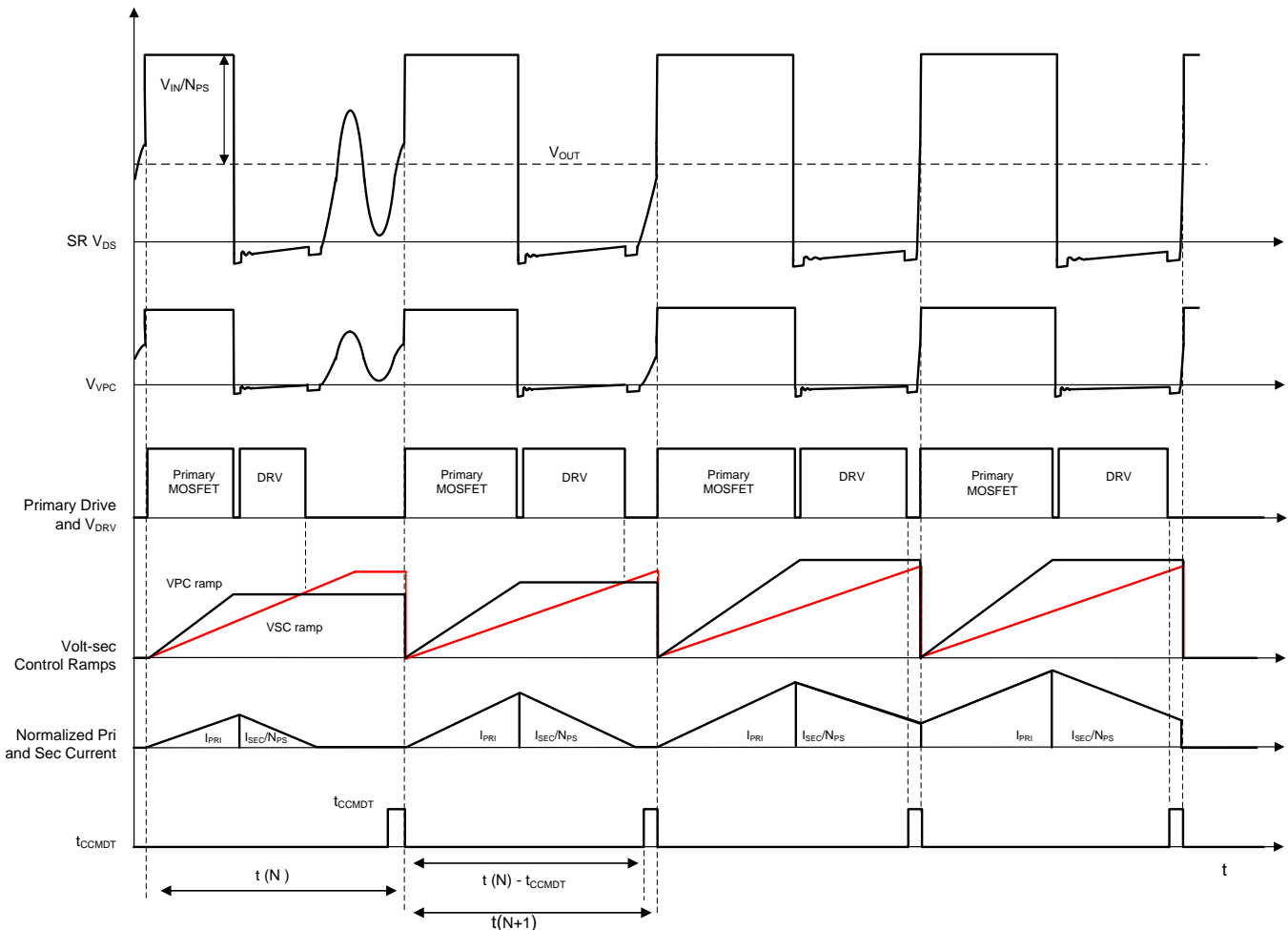


Figure 18. VPC Blanking Time Criteria

## Feature Description (continued)

### 7.3.3 CCM Dead Time

Operation of CCM converters during transition from DCM to CCM results in a number of switching cycles where volt-sec balance is not achieved. To accommodate CCM operation the UCC24630 SR controller incorporates CCM dead-time protection to ensure turn off of the SR MOSFET before the next primary MOSFET turn on. The function provides a limit of the total period of the primary on time plus SR on time to the previous cycle minus the dead time, 600 ns typical. This is accomplished by limiting the SR on time of the active cycle,  $t(N+1)$ , to the previous recorded cycle,  $t(N)$ , minus  $t_{CCMDT}$ . As can be seen in Figure 19, the CCM dead time limits the DRV on time even though the VSC volt-sec ramp threshold is not satisfied.



**Figure 19. CCM Dead-Time Function**

## Feature Description (continued)

CCM cycle fault provides protection if the switching frequency is unstable during abnormal conditions. The CCM cycle fault triggers if the switching period exceeds the previous switching period by  $K_{CCM-FAULT}$ , 150% typical. The CCM cycle fault disables the DRV output for four consecutive cycles. During the four-cycle disable interval if another CCM cycle fault occurs the fault is retrIGGERED for another four cycles, DRV will not be enabled until four consecutive cycles occur that do not generate a CCM cycle fault. Refer to Figure 20 and Figure 21 for CCM cycle fault behavior.

The N+1 cycle with the longer period sets up the next following cycle to have a longer allowable maximum SR on time based on  $t(N) - t_{CCMDT}$ ; if CCM operation occurs in this case the maximum allowable SR on time could conflict with the primary turn on if the converter switching period returns to the previous time. The DRV output is disabled to prevent this potential timing conflict with the primary switch.

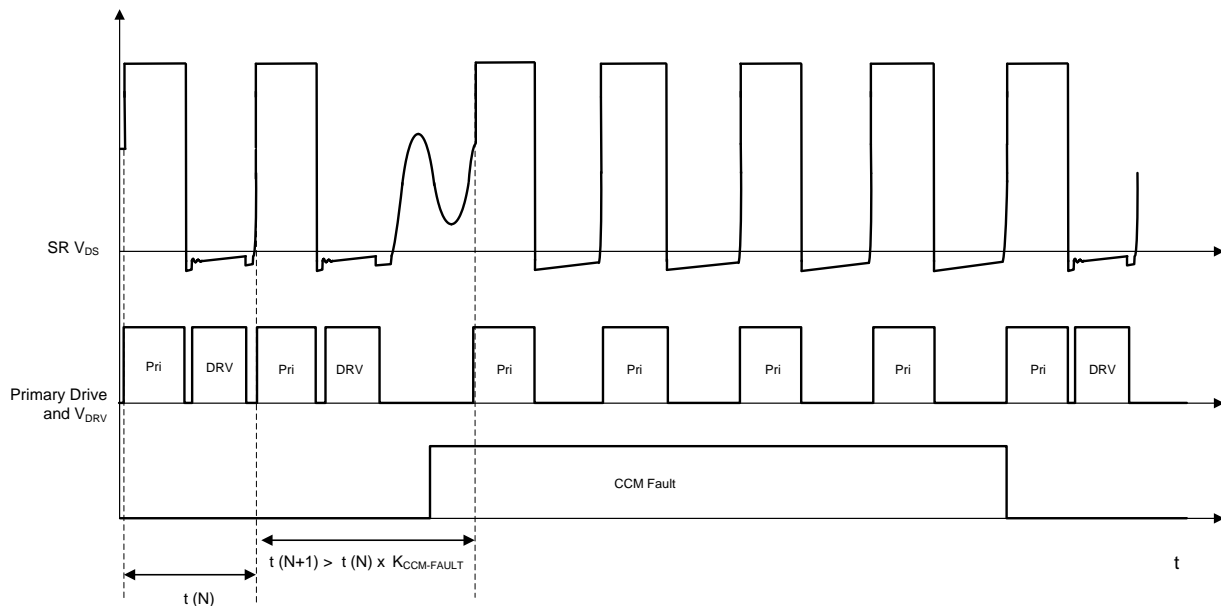


Figure 20. CCM Cycle-Fault Behavior, CCM Operation

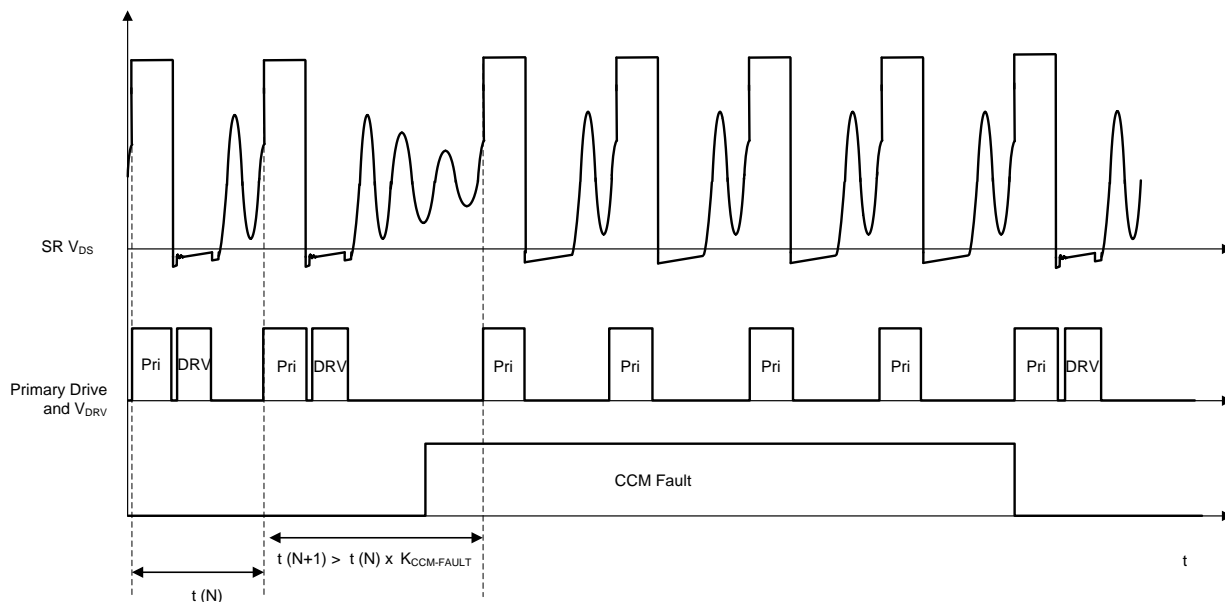
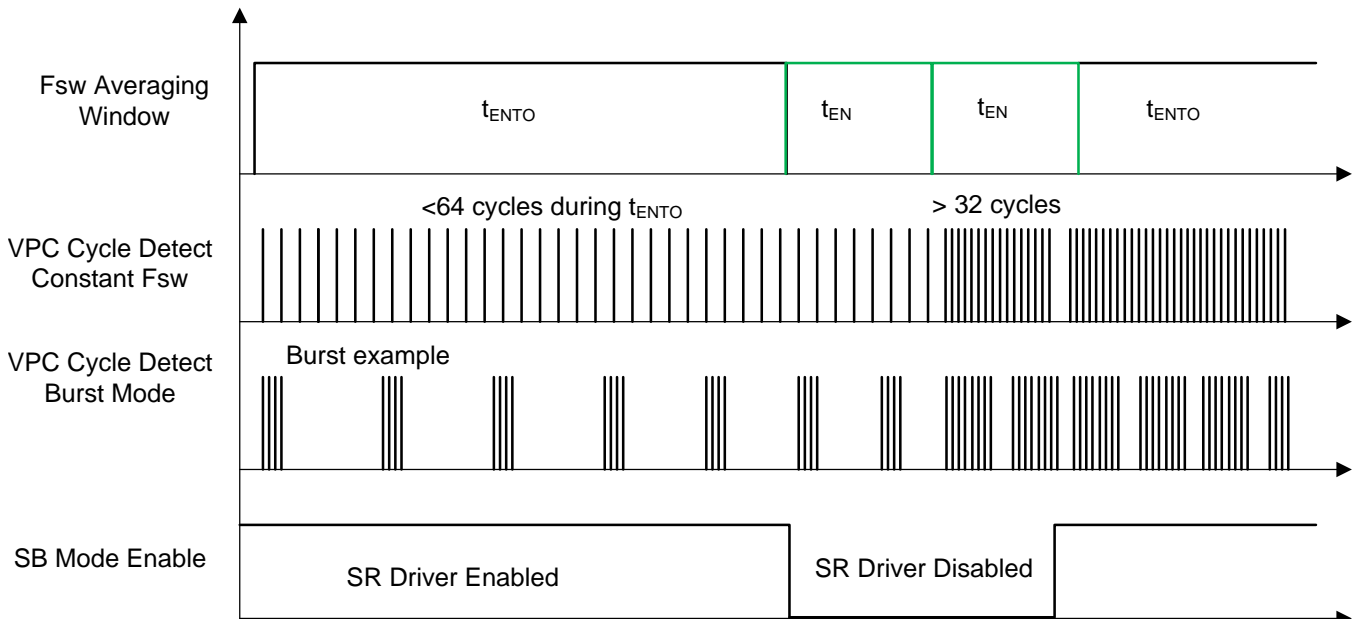


Figure 21. CCM Cycle-Fault Behavior, DCM Operation

**Feature Description (continued)**
**7.3.4 Standby Operation**

To minimize power consumption at very light load and standby conditions, the UCC24630 disables the SR DRV output and enters a low current operating state. The criteria for operating in standby mode or normal operation are determined by the average frequency detected on the VPC pin. The frequency detection is compatible with burst mode operation or continuous low frequency FM operation. At start up the device is in normal operation to enable DRV to the SR MOSFET. If  $< 64$  cycles occur in  $t_{ENTO}$ , 12.8 ms typical, the device disables the DRV output and enters low-current operating mode with bias current of  $I_{STBY}$ . In standby mode the criteria to enter normal operating mode is when  $> 32$  cycles occur within  $t_{EN}$ , 2.56 ms typical. The device enters normal operation as soon as the 32 cycles occur to reduce the response time exiting standby operation. The average frequency of entering standby mode is 5 kHz typical, and the average frequency of exiting standby mode is 12.5 kHz typical. Refer to [Figure 22](#) for an illustration of standby mode timing.


**Figure 22. Standby Mode Operation**

## Feature Description (continued)

### 7.3.5 Pin Fault Protection

The UCC24630 controller includes fault protection in the event of open pin, shorted pin to ground and abnormal out of range operation.

#### 7.3.5.1 VPC Pin Overvoltage

In the event that there is an abnormal high level on the VPC pin for a period beyond expected transformer leakage spike duration, the DRV output is disabled on a cycle-to-cycle basis. If the voltage on the VPC pin exceeds  $V_{VPCDIS}$ , 2.6 V minimum, for 500 ns the SR is not enabled until the next valid cycle.

#### 7.3.5.2 VPC Pin Open

In the event of an open circuit VPC pin, the device defaults to a no VPC input signal condition which results in disabling DRV operation.

#### 7.3.5.3 VSC Pin Open

In the event of an open circuit VSC pin, the device defaults to a zero VSC input signal condition which results in disabling DRV operation.

#### 7.3.5.4 TBLK Pin Open

In the event of an open circuit TBLK pin, the device disables DRV operation.

#### 7.3.5.5 VPC and VSC Short to Ground

Since the VPC and VSC enable thresholds must be satisfied for DRV operation, DRV is inherently disabled.

#### 7.3.5.6 TBLK Pin Short to Ground

A shorted TBLK pin results in a minimum setting for  $t_{VPC-BLK}$  blanking time.

## 7.4 Device Functional Modes

According to VDD voltage, VSC voltage, and VPC voltage and frequency the device can operate in different modes.

### 7.4.1 Start-Up

During start-up when VDD is less than  $V_{VDD(on)}$  the device is disabled. When VDD exceeds the  $V_{VDD(on)}$  UVLO threshold the  $I_{DD}$  goes to  $I_{RUN}$  and the device begins the start sequence detailed in [Section 8.3.1](#).

### 7.4.2 Normal Operation

When VDD exceeds  $V_{VDD(on)}$ , the VPC voltage exceeds  $V_{VPC-EN}$  and  $V_{VPC-TH}$ , and the VSC voltage exceeds  $V_{VSC-EN}$  the DRV output is active. If the switching frequency is above the standby criteria of > 5 kHz the device is in normal operation determining the DRV time based on volt-sec control, or CCM dead time control.  $I_{DD}$  will be  $I_{RUN}$ .

1. The device operates in volt-sec control when the primary on-time plus the DRV on-time is less than the previous cycle minus  $t_{CCMDT}$ . This is the mode of operation the majority of the time.
2. The device operates in CCM dead-time control when the primary on-time plus DRV on time would be greater, as determined by the volt-sec control ramps, than the previous cycle minus  $t_{CCMDT}$ . This occurs only in CCM converters, during the transition of DCM into CCM operation.

### 7.4.3 Standby Operation

If the number of VPC pulses is less than  $n_{ENTO}$ , 64, during  $t_{ENTO}$  the device enters standby mode. DRV operation stops and most device functions are shut down.  $I_{DD}$  is  $I_{STBY}$  during standby operation. To exit standby mode the number of VPC pulses must exceed  $n_{EN}$ , 32, during  $t_{EN}$ .  $I_{DD}$  returns to  $I_{RUN}$  and the DRV output starts after 4 VPC cycles.

### 7.4.4 Conditions to Stop Operation

The following conditions can disable DRV operation,  $I_{DD}$  is  $I_{RUN}$  during these conditions.

1. VPC overvoltage: When  $V_{VPC} > V_{VPCDIS}$  for >500 ns the DRV output is disabled for the cycle.
2. CCM Fault: If the current cycle period is greater than the previous cycle times  $K_{CCM\_FAULT}$ , the DRV output is disabled for 4 cycles. The 4-cycle count can be reset, and extended if another CCM fault occurs during the 4-cycle DRV disable counter.

## 8 Application and Implementation

---

### NOTE

Information in the following applications sections is not part of the TI component specification, and TI does not warrant its accuracy or completeness. TI's customers are responsible for determining suitability of components for their purposes. Customers should validate and test their design implementation to confirm system functionality.

---

### 8.1 Application Information

The UCC24630 is a high performance controller driver for N-channel MOSFET power devices used for secondary-side synchronous rectification. The UCC24630 is designed to operate as a companion device to a primary-side controller to help achieve efficient synchronous rectification in switching power supplies. The controller features a high-speed driver and provides appropriately timed logic circuitry that seamlessly generates an efficient synchronous rectification system. With its current emulator architecture, the UCC24630 has enough versatility to be applied in DCM, TM and CCM modes. The UCC24630 SR on-time adjustability allows optimizing for PSR and SSR applications. Additional features such as pin fault protection, dynamic VPC threshold sensing, and voltage sense blanking time and make the UCC24630 a robust synchronous controller. CCM dead-time protection shuts off the DRV signal in the event of an unstable switching frequency.

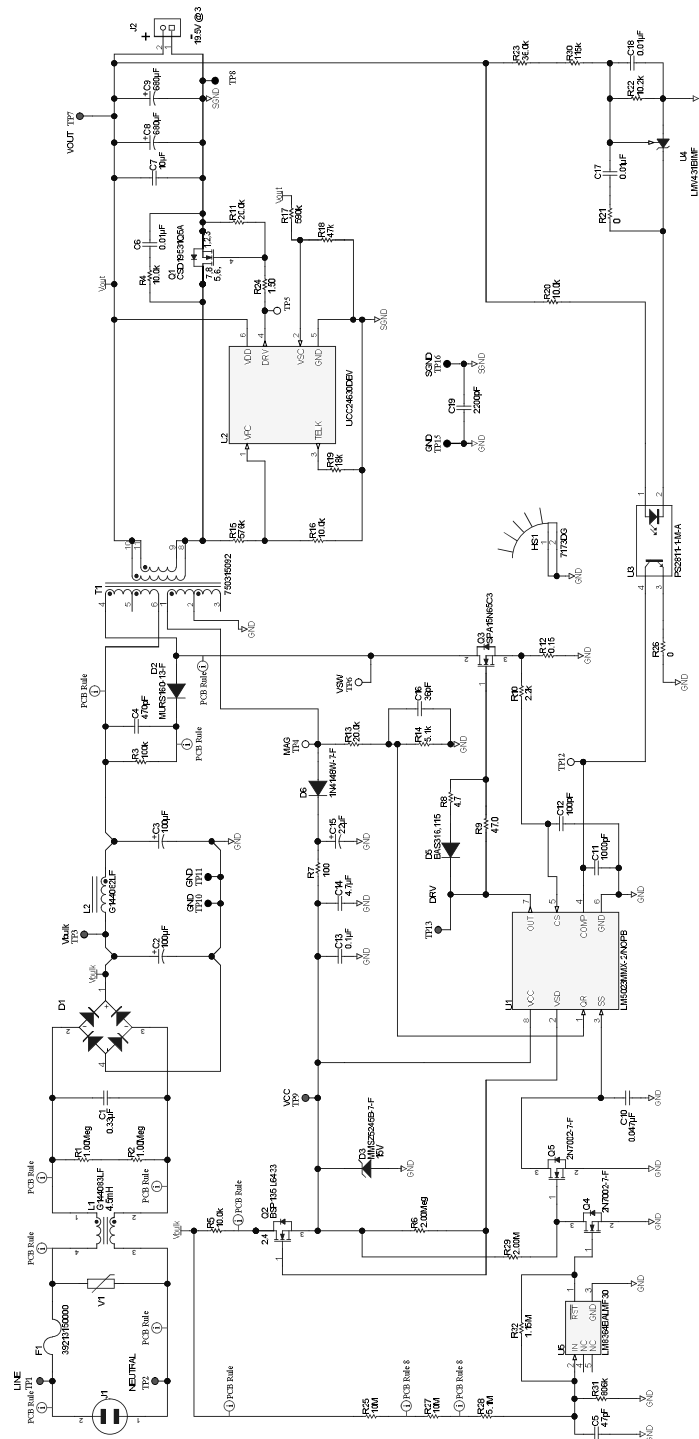
### 8.2 Typical Application

#### 8.2.1 AC-to-DC Adapter, 19.5 V, 65 W

This design example describes the design of a 65-W off-line flyback converter providing 19.5 V at 3.33-A maximum load and operating from a universal AC input. The design uses the LM5023 AC-to-DC quasi-resonant primary-side controller in a DCM type flyback converter and achieves over 92% full-load efficiency with the use of the secondary side UCC24630 synchronous rectifier controller.

- The design requirements are detailed in [Section 9.2.2](#)
- The design procedure for selecting the component circuitry for use with the UCC24630 is detailed in [Calculation of Component Values](#).
- Test results shown in [section 9.2.4](#) highlight the unique advantages of using the UCC24630.

**Typical Application (continued)**



**Figure 23. AC-to-DC Adapter 19 V, 65 W**



## Typical Application (continued)

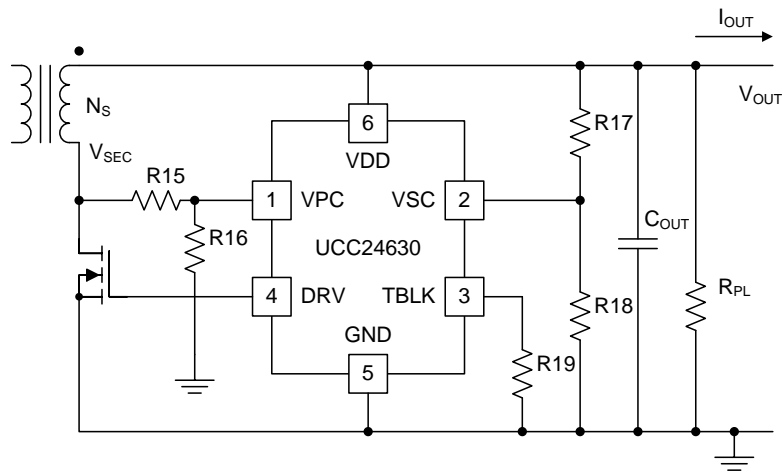
### 8.2.2 Design Requirements

For this design example, use the parameters listed in [Table 1](#).

**Table 1. Performance Specifications AC-to-DC Adapter 19 V, 65 W**

PARAMETER		TEST CONDITIONS	MIN	NOM	MAX	UNIT
<b>Input Characteristics</b>						
$V_{ACIN}$	Input voltage		90	115/230	265	V
$f_{LINE}$	Frequency		47	50/60	64	Hz
$V_{AC(uvlo)}$	Brownout voltage	$I_{OUT} = I_{OUT(nom)}$		80		VRMS
$V_{AC(run)}$	Brownout recovery voltage			90		VRMS
$I_{IN}$	Input current	$V_{ACIN} = V_{ACIN(min)}$ , $I_{OUT} = I_{OUT(nom)}$		1.65		A
<b>Output Characteristics</b>						
$V_{OUT}$	Output voltage	$V_{ACIN} = V_{ACIN(min)}$ to $V_{ACIN(max)}$ , $I_{OUT} = 0$ to $I_{OUT(nom)}$	18.5	19.5	20.5	V
$I_{OUT(nom)}$	Nominal output current	$V_{ACIN} = V_{ACIN(min)}$ to $V_{ACIN(max)}$		3.33		A
$I_{OUT(min)}$	Minimum output current	$V_{ACIN} = V_{ACIN(min)}$ to $V_{ACIN(max)}$		0		A
$\Delta V_{OUT}$	Output voltage ripple	$V_{ACIN} = V_{ACIN(min)}$ to $V_{ACIN(max)}$ , $I_{OUT} = 0$ to $I_{OUT(nom)}$		500		mV
$P_{OUT}$	Output power	$V_{ACIN} = V_{ACIN(min)}$ to $V_{ACIN(max)}$		65		
<b>System Characteristics</b>						
$\eta_{avg}$	Average efficiency	$V_{ACIN} = V_{ACIN(nom)}$ , $I_{OUT} = 25\%, 50\%, 75\%, 100\%$ of $I_{OUT(nom)}$	89%	90%		
$\eta_{10\%}$	10% Load efficiency	$V_{ACIN} = V_{ACIN(nom)}$ , $I_{OUT} = 10\%$ of $I_{OUT(nom)}$	79%	82%		
$P_{NL}$	No load power	$V_{ACIN} = V_{ACIN(nom)}$ , $I_{OUT} = 0$		60	120	mW

### 8.2.3 Calculation of Component Values



**Figure 24. UCC24630 Circuit Design**

For ease of understanding, Figure 24 is a modified version of Figure 17 where the component reference designators are the same as the schematic drawing of Figure 23.

#### 8.2.3.1 VPC Input

For minimal power dissipation:

$$R16 = 10\text{ k}\Omega$$

$$R15 = \frac{\left[ \left( \frac{V_{IN(\min)}}{N_{PS}} + V_{OUT(\min)} \right) - V_{VPC\_EN} \times 1.1 \right] \times R16}{V_{VPC\_EN}}$$

$$V_{OUT(\min)} = 18\text{ V}$$

$$N_{PS} = 5.5$$

$$V_{IN(\min)} = 60\text{ V}$$

$$R15 = 574\text{ k}\Omega$$

(8)

With **R15 = 576 kΩ**

$$V_{VPC(\max)} = \frac{\left( \frac{V_{IN(\max)}}{N_{PS}} + V_{OUT(\max)} \right) \times R16}{R15 + R16}$$

$$V_{VPC(\max)} = 1.50\text{ V}$$

(9)

$$V_{VPC(\min)} = \frac{\left( \frac{V_{IN(\min)}}{N_{PS}} + V_{OUT(\min)} \right) \times R16}{R15 + R16}$$

$$V_{VPC(\min)} = 0.49\text{ V}$$

(10)

Therefore,  $V_{VPC}$  is within the recommended range of 0.45 V to 2 V.

### 8.2.3.2 VSC Input

The value of R18 is recommended to be with the range of 25 kΩ to 50 kΩ.

$$R18 = 47 \text{ k}\Omega$$

$$R17 = \left[ \left( \frac{\frac{R15 + R16}{R16}}{\text{Ratio}_{VPC\_VSC} \times 1.1} \right) - 1 \right] \times R18$$

$$R17 = 554 \text{ k}\Omega \tag{11}$$

With R17 = 590 kΩ the operating range of the VSC pin is:

$$V_{VSC(\min)} = \left[ \left( \frac{R18}{R17 + R18} \right) \right] \times V_{OUT(\min)}$$

$$V_{VSC(\min)} = 1.32 \text{ V} \tag{12}$$

$$V_{VSC(\max)} = \left[ \left( \frac{R18}{R17 + R18} \right) \right] \times V_{OUT(\max)}$$

$$V_{VSC(\max)} = 1.55 \text{ V} \tag{13}$$

Therefore,  $V_{VSC}$  is within the recommended range of 0.3 V to 2 V.

### 8.2.3.3 TBLK Input

The blanking time is set with resistor R19.

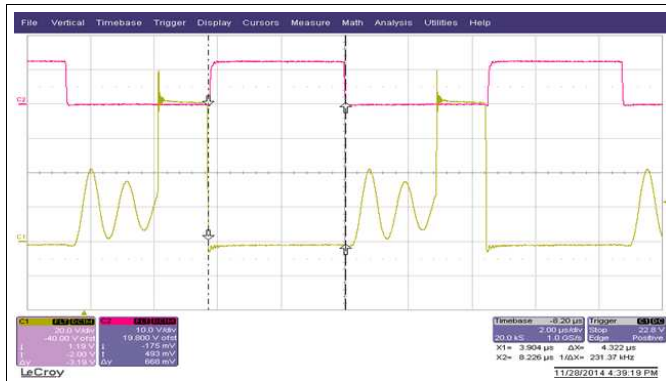
Select the blanking time to meet the following criteria based on minimum primary on-time at high line.

$$t_{VPC\text{-}BLK} = (t_{PRI} \times 0.85) - 120 \text{ ns}$$

$$R19 = \frac{t_{VPC\text{-}BLK} - 100 \text{ ns}}{18 \text{ pF}} \tag{14}$$

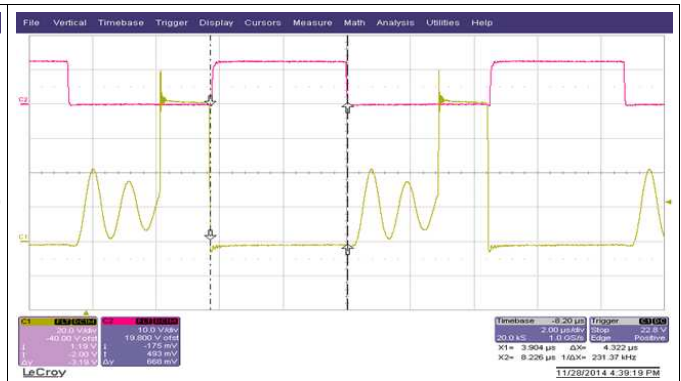
A value of **R19 = 18 kΩ** results in a blanking time of approximately 420 ns.

### 8.2.4 Application Curves



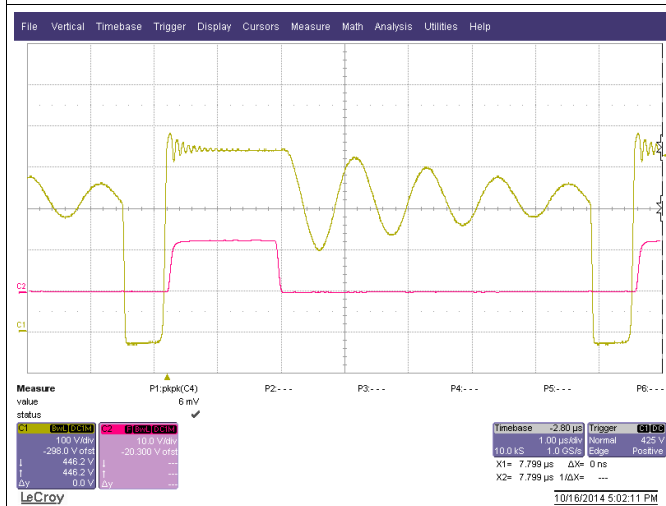
C2(RED): DRV signal to synchronous rectifier Q1  
C1(YELLOW): Drain of synchronous rectifier Q1

Figure 25. DRV Timing at 230 V<sub>AC</sub>, 65 W



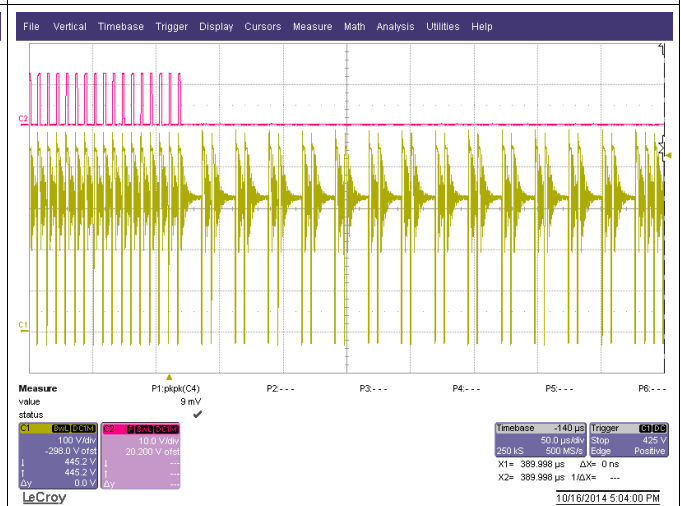
C2(RED): DRV signal to synchronous rectifier Q1  
C1(YELLOW): Drain of synchronous rectifier Q1

Figure 26. DRV Timing at 115 V<sub>AC</sub>, 65 W



C2(RED): DRV signal to synchronous rectifier Q1  
C1(YELLOW): Drain of primary-side MOSFET Q3

Figure 27. DRV Timing at 230 V<sub>AC</sub>, 12 W



C2(RED): DRV signal to synchronous rectifier Q1  
C1(YELLOW): Drain of primary-side MOSFET Q3

Figure 28. Light-Load Behavior (230 V<sub>AC</sub>, 8 W)

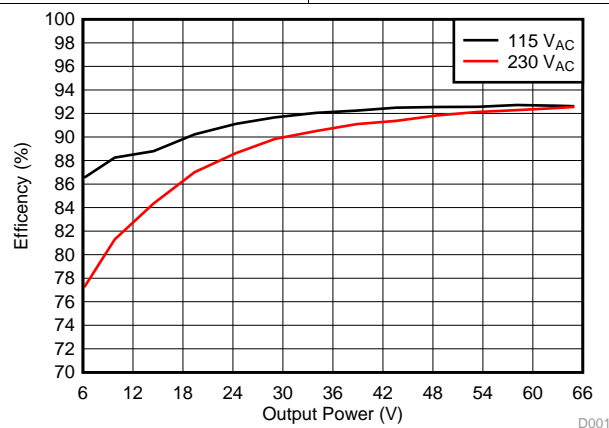


Figure 29. Efficiency vs Output Power

### 8.3 Do's and Don'ts

- Do operate the device within the recommended operating maximum parameters. Consider output overvoltage conditions when determining stress.
- Do consider the guideline for setting the blanking time resistor value illustrated in [Figure 18](#).
- Do not use the UCC24630 with converters that operate in constant skip cycle mode at high-power levels. The skip cycle behavior results in numerous CCM faults and missing DRV pulses.
- Do not use the UCC24630 in CCM designs that are operating in CCM while the flyback controller is operating in variable frequency, FM, modulation. The CCM dead-time function is compatible with CCM operation during fixed-frequency, PWM operation.
- Do not use the UCC24630 in hysteretic control CCM flyback converters. Constant skip-cycle operation at high-power levels results in numerous CCM cycle faults resulting in efficiency loss.
- Do not use the UCC24630 in LLC converters.

## 9 Power Supply Recommendations

The UCC24630 is recommended as a synchronous rectifier controller in a wide variety of flyback power supplies. It is compatible with Discontinuous Conduction Mode (DCM) and Transition Mode (TM) controllers in fixed frequency or variable frequency applications. It is compatible with Continuous Conduction Mode (CCM) controllers in fixed frequency applications.

It is suitable as a synchronous rectifier for flyback power supplies with an input of  $85 V_{AC}$  to  $265 V_{AC}$  and an output from 5 V to 24 V. It can also be used in other flyback applications with different input and/or output voltages. But be sure all voltages and currents are within the recommended operating conditions and absolute ratings of the device.

It is compatible with flyback converters operating at the transition mode limit, at low line, with switching frequencies as low as 40 kHz. It may also be used in switching speeds up to 200 kHz.

The VDD operating range allows direct connection to converter outputs from 5 V to 24 V. Since the driver and control share the same VDD and ground, it is recommended to place a good quality ceramic capacitor as close as possible to VDD and GND pins. To reduce VDD noise and eliminate high-frequency ripple current injected from the converter output, it is recommended to place a small resistance of  $2.2 \Omega$  to  $10 \Omega$  between the converter output and VDD. The device can tolerate VDD rise times from 100  $\mu$ s to very long rise times typical of constant current chargers. The start-up sequence will always be as shown in [Figure 13](#). VDD can be connected to an external bias to extend the device's operating range below 3.5 V or above 24-V converter outputs.

## 10 Layout

### 10.1 Layout Guidelines

In general, try to keep all high current loops as short as possible. Keep all high current/high frequency traces away from other traces in the design. If necessary, high-frequency/high-current traces should be perpendicular to signal traces, not parallel to them. Shielding signal traces with ground traces can help reduce noise pick up. Always consider appropriate clearances between the high-voltage connections and any low-voltage nets.

#### 10.1.1 VDD Pin

The VDD pin must be decoupled to GND with good quality, low ESR, low ESL ceramic bypass capacitors with short traces to the VDD and GND pins. The value of the required capacitance on VDD is determined as shown in [Section 7.3](#). To eliminate high-frequency ripple current in the SR control circuit, it is recommended to place a small value resistance of 2.2  $\Omega$  to 10  $\Omega$  between VDD and the converter output voltage.

#### 10.1.2 VPC Pin

The trace between the resistor divider and the VPC pin should be as short as possible to reduce/eliminate possible noise coupling. The lower resistor of the resistor divider network connected to the VPC pin should be returned to GND with short traces. Avoid adding any significant external capacitance to the VPC pin so that there is no delay of signal. If filtering is necessary a recommended maximum capacitance is 10 pF with a lower resistor divider network value of 10 k $\Omega$ . Avoid high dV/dt traces close to the VPC pin and connection trace such as the SR MOSFET drain and DRV output.

#### 10.1.3 VSC Pin

The trace between the resistor divider and the VSC pin should be as short as possible to reduce/eliminate possible noise coupling. The lower resistor of the resistor divider network connected to the VSC pin should be returned to GND with short traces. Avoid adding any external capacitance to the VPC pin so that there is no delay of signal. If filtering is necessary a recommended maximum capacitance is 47 pF with a lower resistor divider network value of 50 k $\Omega$ . Avoid high dV/dt traces close to the VSC pin and connection trace such as the SR MOSFET drain and DRV output.

#### 10.1.4 GND Pin

The GND pin is the power and signal ground connection for the controller. The effectiveness of the filter capacitors on the signal pins depends upon the integrity of the ground return. Place all decoupling capacitors as close as possible to the device pins with short traces. The device ground and power ground should meet at the output bulk capacitor's return. Try to ensure that high frequency/high current from the power stage does not go through the signal ground.

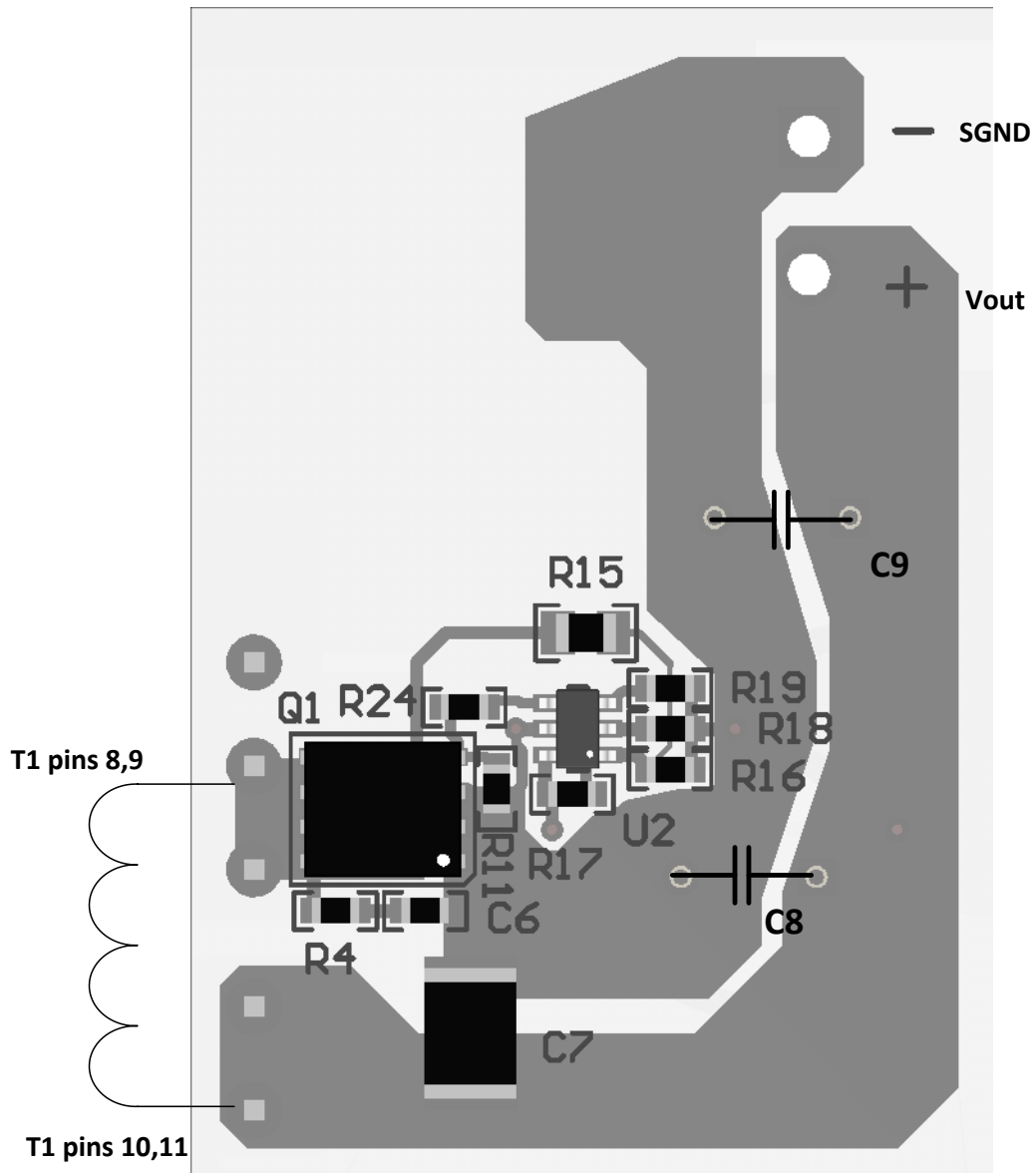
#### 10.1.5 TBLK Pin

The programming resistor is placed on TBLK to GND, with short traces. The value may have to be adjusted based on the time delay required. Avoid high dV/dt traces close to the TBLK pin and connection trace such as the SR MOSFET drain and DRV output.

#### 10.1.6 DRV Pin

The track connected to DRV carries high dv/dt signals. Minimize noise pickup by routing the trace to this pin as far away as possible from tracks connected to the device signal inputs, VPC, VSC, and TBLK.

## 10.2 Layout Example





## 11 器件和文档支持

### 11.1 器件支持

#### 11.1.1 器件命名规则

##### 11.1.1.1 术语定义

- $V_{IN(min)} = 60V$ : 转换器一次侧大容量电容的最低电压
- $V_{IN(max)} = 370V$ : 转换器一次侧大容量电容的最高电压
- $V_{OUT(min)} = 18V$ : UCC24630 的最低转换器输出工作电压
- $V_{OUT(max)} = 21V$ : UCC24630 的最高转换器输出工作电压
- $V_{VPC\_EN} = 0.45V$ : 同步整流器使能电压
- $V_{VPC(max)} = 2.0V$ : VPC 的最高工作电压
- $N_{PS} = 5.5$ : 变压器一次侧绕组与二次侧绕组匝数比
- $Ratio_{VPC\_VSC} = 4.15$ : 电流模拟器增益  $K_{VPC}/K_{VSC}$
- $t_{VPC\_BLK}$ : 保证同步整流器正常工作的最少 VPC 脉冲

### 11.2 商标

All trademarks are the property of their respective owners.

### 11.3 静电放电警告



这些装置包含有限的内置 ESD 保护。存储或装卸时，应将导线一起截短或将装置放置于导电泡棉中，以防止 MOS 门极遭受静电损伤。

### 11.4 Glossary

[SLYZ022](#) — *TI Glossary*.

This glossary lists and explains terms, acronyms, and definitions.

## 12 机械、封装和可订购信息

以下页中包括机械、封装和可订购信息。 这些信息是针对指定器件可提供的最新数据。 这些数据会在无通知且不  
对本文档进行修订的情况下发生改变。 欲获得该数据表的浏览器版本，请查阅左侧的导航栏。

**PACKAGING INFORMATION**

Orderable Device	Status (1)	Package Type	Package Drawing	Pins	Package Qty	Eco Plan (2)	Lead finish/ Ball material (6)	MSL Peak Temp (3)	Op Temp (°C)	Device Marking (4/5)	Samples
UCC24630DBVR	ACTIVE	SOT-23	DBV	6	3000	RoHS & Green	NIPDAU	Level-1-260C-UNLIM	-40 to 125	U630	<b>Samples</b>
UCC24630DBVT	ACTIVE	SOT-23	DBV	6	250	RoHS & Green	NIPDAU	Level-1-260C-UNLIM	-40 to 125	U630	<b>Samples</b>

(1) The marketing status values are defined as follows:

**ACTIVE:** Product device recommended for new designs.

**LIFEBUY:** TI has announced that the device will be discontinued, and a lifetime-buy period is in effect.

**NRND:** Not recommended for new designs. Device is in production to support existing customers, but TI does not recommend using this part in a new design.

**PREVIEW:** Device has been announced but is not in production. Samples may or may not be available.

**OBSOLETE:** TI has discontinued the production of the device.

(2) **RoHS:** TI defines "RoHS" to mean semiconductor products that are compliant with the current EU RoHS requirements for all 10 RoHS substances, including the requirement that RoHS substance do not exceed 0.1% by weight in homogeneous materials. Where designed to be soldered at high temperatures, "RoHS" products are suitable for use in specified lead-free processes. TI may reference these types of products as "Pb-Free".

**RoHS Exempt:** TI defines "RoHS Exempt" to mean products that contain lead but are compliant with EU RoHS pursuant to a specific EU RoHS exemption.

**Green:** TI defines "Green" to mean the content of Chlorine (Cl) and Bromine (Br) based flame retardants meet JS709B low halogen requirements of <=1000ppm threshold. Antimony trioxide based flame retardants must also meet the <=1000ppm threshold requirement.

(3) MSL, Peak Temp. - The Moisture Sensitivity Level rating according to the JEDEC industry standard classifications, and peak solder temperature.

(4) There may be additional marking, which relates to the logo, the lot trace code information, or the environmental category on the device.

(5) Multiple Device Markings will be inside parentheses. Only one Device Marking contained in parentheses and separated by a "~" will appear on a device. If a line is indented then it is a continuation of the previous line and the two combined represent the entire Device Marking for that device.

(6) Lead finish/Ball material - Orderable Devices may have multiple material finish options. Finish options are separated by a vertical ruled line. Lead finish/Ball material values may wrap to two lines if the finish value exceeds the maximum column width.

**Important Information and Disclaimer:**The information provided on this page represents TI's knowledge and belief as of the date that it is provided. TI bases its knowledge and belief on information provided by third parties, and makes no representation or warranty as to the accuracy of such information. Efforts are underway to better integrate information from third parties. TI has taken and continues to take reasonable steps to provide representative and accurate information but may not have conducted destructive testing or chemical analysis on incoming materials and chemicals. TI and TI suppliers consider certain information to be proprietary, and thus CAS numbers and other limited information may not be available for release.

In no event shall TI's liability arising out of such information exceed the total purchase price of the TI part(s) at issue in this document sold by TI to Customer on an annual basis.



**TAPE AND REEL INFORMATION**

**QUADRANT ASSIGNMENTS FOR PIN 1 ORIENTATION IN TAPE**


\*All dimensions are nominal

Device	Package Type	Package Drawing	Pins	SPQ	Reel Diameter (mm)	Reel Width W1 (mm)	A0 (mm)	B0 (mm)	K0 (mm)	P1 (mm)	W (mm)	Pin1 Quadrant
UCC24630DBVR	SOT-23	DBV	6	3000	178.0	9.0	3.23	3.17	1.37	4.0	8.0	Q3
UCC24630DBVT	SOT-23	DBV	6	250	178.0	9.0	3.23	3.17	1.37	4.0	8.0	Q3

**TAPE AND REEL BOX DIMENSIONS**


\*All dimensions are nominal

Device	Package Type	Package Drawing	Pins	SPQ	Length (mm)	Width (mm)	Height (mm)
UCC24630DBVR	SOT-23	DBV	6	3000	180.0	180.0	18.0
UCC24630DBVT	SOT-23	DBV	6	250	180.0	180.0	18.0

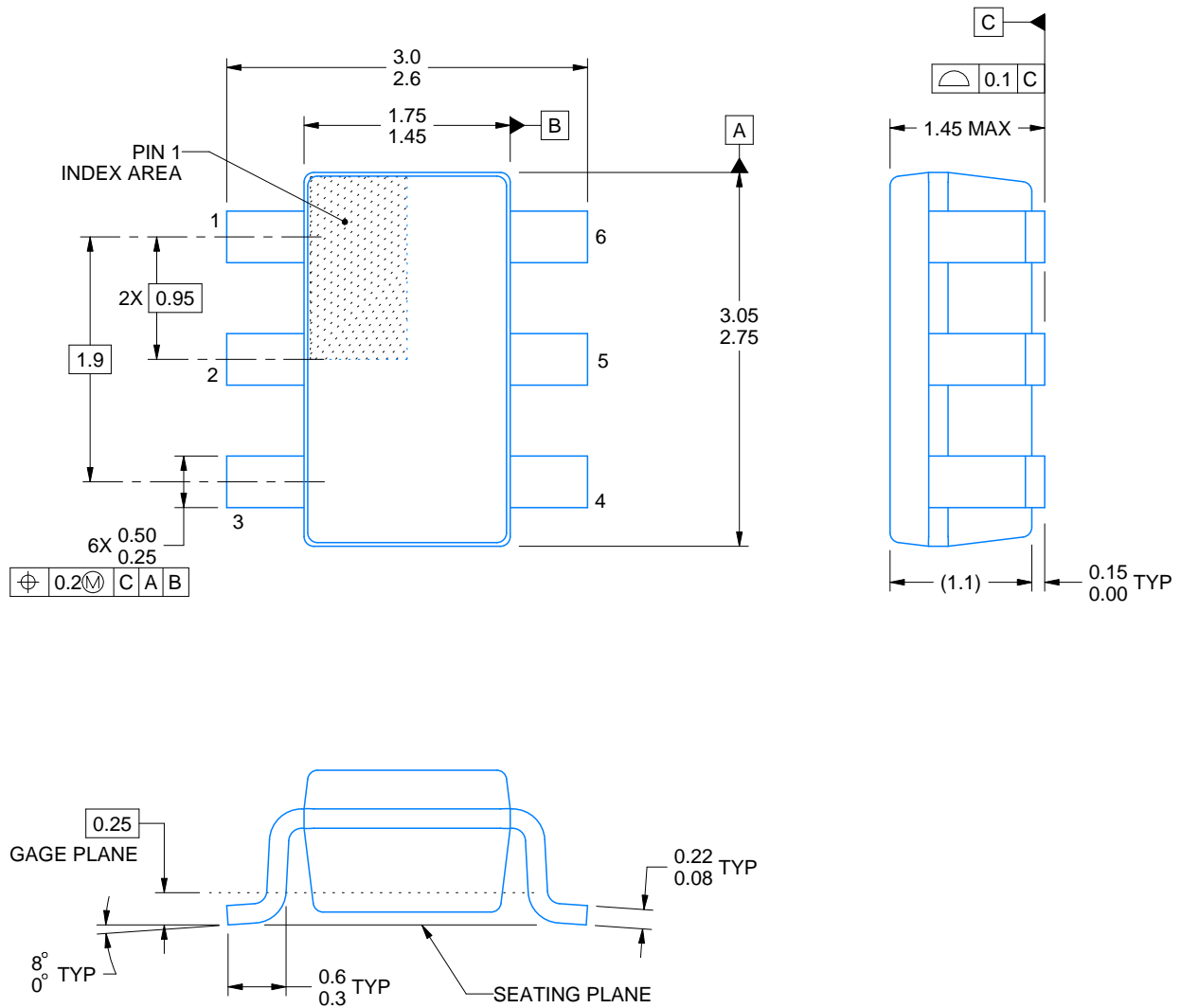
DBV0006A



PACKAGE OUTLINE

SOT-23 - 1.45 mm max height

SMALL OUTLINE TRANSISTOR



4214840/C 06/2021

NOTES:

1. All linear dimensions are in millimeters. Any dimensions in parenthesis are for reference only. Dimensioning and tolerancing per ASME Y14.5M.
2. This drawing is subject to change without notice.
3. Body dimensions do not include mold flash or protrusion. Mold flash and protrusion shall not exceed 0.25 per side.
4. Leads 1,2,3 may be wider than leads 4,5,6 for package orientation.
5. Reference JEDEC MO-178.

# EXAMPLE BOARD LAYOUT

DBV0006A

SOT-23 - 1.45 mm max height

SMALL OUTLINE TRANSISTOR



LAND PATTERN EXAMPLE  
EXPOSED METAL SHOWN  
SCALE:15X



SOLDER MASK DETAILS

4214840/C 06/2021

NOTES: (continued)

- 6. Publication IPC-7351 may have alternate designs.
- 7. Solder mask tolerances between and around signal pads can vary based on board fabrication site.

# EXAMPLE STENCIL DESIGN

DBV0006A

SOT-23 - 1.45 mm max height

SMALL OUTLINE TRANSISTOR



SOLDER PASTE EXAMPLE  
BASED ON 0.125 mm THICK STENCIL  
SCALE:15X

4214840/C 06/2021

NOTES: (continued)

8. Laser cutting apertures with trapezoidal walls and rounded corners may offer better paste release. IPC-7525 may have alternate design recommendations.
9. Board assembly site may have different recommendations for stencil design.



## 重要声明和免责声明

TI 提供技术和可靠性数据（包括数据表）、设计资源（包括参考设计）、应用或其他设计建议、网络工具、安全信息和其他资源，不保证没有瑕疵且不做任何明示或暗示的担保，包括但不限于对适销性、某特定用途方面的适用性或不侵犯任何第三方知识产权的暗示担保。

这些资源可供使用 TI 产品进行设计的熟练开发人员使用。您将自行承担以下全部责任：(1) 针对您的应用选择合适的 TI 产品，(2) 设计、验证并测试您的应用，(3) 确保您的应用满足相应标准以及任何其他安全、安保或其他要求。这些资源如有变更，恕不另行通知。TI 授权您仅可将这些资源用于研发本资源所述的 TI 产品的应用。严禁对这些资源进行其他复制或展示。您无权使用任何其他 TI 知识产权或任何第三方知识产权。您应全额赔偿因在这些资源的使用中对 TI 及其代表造成的任何索赔、损害、成本、损失和债务，TI 对此概不负责。

TI 提供的产品受 TI 的销售条款 (<https://www.ti.com.cn/zh-cn/legal/termsofsale.html>) 或 [ti.com.cn](https://www.ti.com.cn) 上其他适用条款/TI 产品随附的其他适用条款的约束。TI 提供这些资源并不会扩展或以其他方式更改 TI 针对 TI 产品发布的适用的担保或担保免责声明。

邮寄地址：上海市浦东新区世纪大道 1568 号中建大厦 32 楼，邮政编码：200122

Copyright © 2021 德州仪器半导体技术（上海）有限公司

## X-ON Electronics

Largest Supplier of Electrical and Electronic Components

*Click to view similar products for [Gate Drivers](#) category:*

*Click to view products by [Texas Instruments](#) manufacturer:*

Other Similar products are found below :

[00053P0231](#) [56956](#) [57.404.7355.5](#) [LT4936](#) [57.904.0755.0](#) [5882900001](#) [00600P0005](#) [5951900000](#) [0131700000](#) [00-2240](#) [LTP70N06](#)  
[LVP640](#) [5J0-1000LG-SIL](#) [LY2-US-AC240](#) [LY3-UA-DC24](#) [00576P0020](#) [LZNQ2-US-DC12](#) [LZP40N10](#) [0207100000](#) [0207400000](#)  
[60100564](#) [60249-1-CUT-TAPE](#) [0134220000](#) [6035](#) [60713816](#) [M15730061](#) [61161-90](#) [61278-0020](#) [6131-204-23149P](#) [6131-205-17149P](#)  
[6131-209-15149P](#) [6131-218-17149P](#) [6131-220-21149P](#) [6131-260-2358P](#) [6131-265-11149P](#) [CS1HCPU63](#) [6150300002](#) [6150-5001](#) [CSK-38-](#)  
[60006](#) [CSK-38-60008](#) [621A](#) [622-4053LF](#) [6273](#) [M37730026](#) [M40N08MA-H](#) [M55155/29XH06](#) [64-807](#) [65003](#) [65-1930-6](#) [M82310002](#)