



TF2117/TF2118

Single Channel Driver

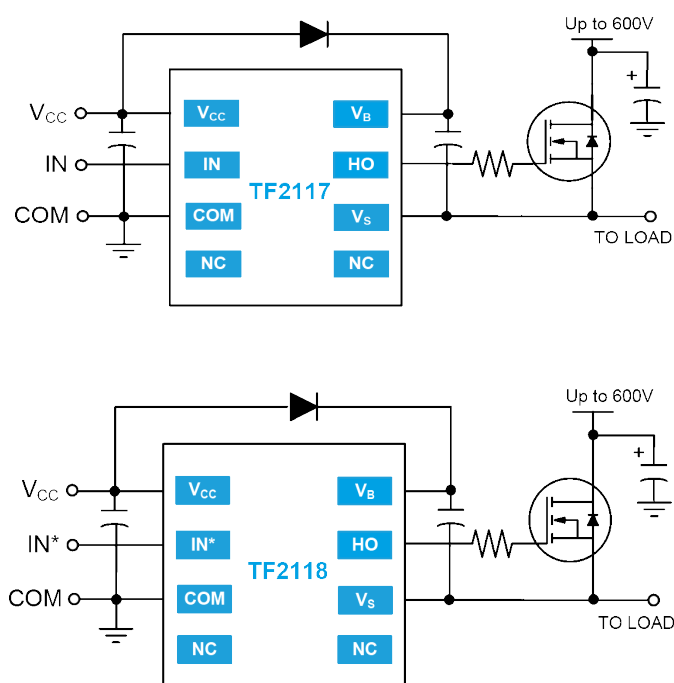
Features

- Floating channel in bootstrap operation to 600V
- Drives one N-channel MOSFET or IGBT
- Outputs tolerant to negative transients
- Wide logic supply: 10V to 20V
- Schmitt triggered logic input with internal pull down
- Undervoltage lockout for V_{CC} and V_{BS}
- Extended temperature range: -40°C to $+125^{\circ}\text{C}$

Applications

- DC-DC Converters
- AC-DC Inverters
- Motor Controls
- Class D Power Amplifiers

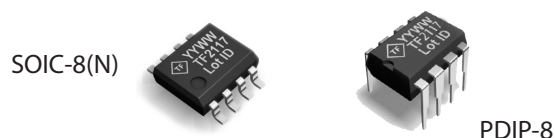
Typical Application



Description

The TF2117 and TF2118 are high voltage, high speed gate drivers capable of driving one N-channel MOSFETs and IGBTs in a bootstrap operation. TF Semiconductor's high voltage process enables the TF2117 and TF2118 to switch at 600V. The TF2117 and TF2118 logic input is compatible with standard CMOS outputs (to 3.3V). The driver output features high pulse current buffers designed for minimum driver cross conduction. The single floating channel can be used in high side or low side configuration.

The TF2117 and TF2118 are offered in a space saving 8-pin SOIC and 8-pin PDIP package. They operate over an extended -40°C to $+125^{\circ}\text{C}$ temperature range.



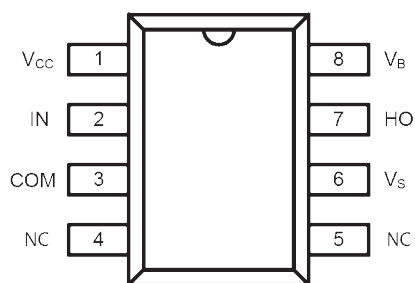
Ordering Information

Year Year Week Week

PART NUMBER	PACKAGE	PACK / Qty	MARK
TF2117-TAU	SOIC-8	Tube / 100	YYWW TF2117 Lot ID
TF2117-TAH		T&R / 2500	
TF2117-3AS	PDIP-8	Tube / 50	YYWW TF2117 Lot ID
TF2118-TAU	SOIC-8	Tube / 100	YYWW TF2118 Lot ID
TF2118-TAH		T&R / 2500	
TF2118-3AS	PDIP-8	Tube / 50	YYWW TF2118 Lot ID

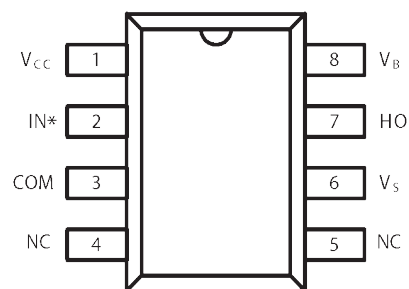


Pin Diagrams



Top View: PDIP-8, SOIC-8

TF2117



Top View: PDIP-8, SOIC-8

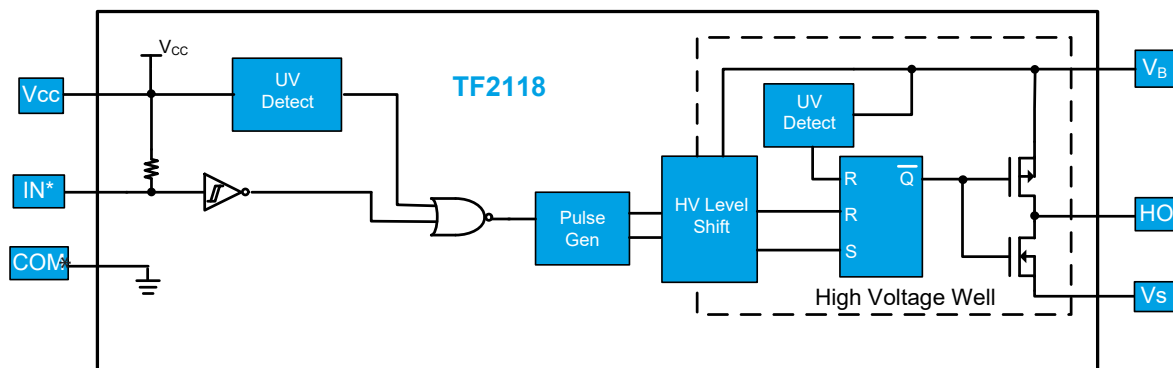
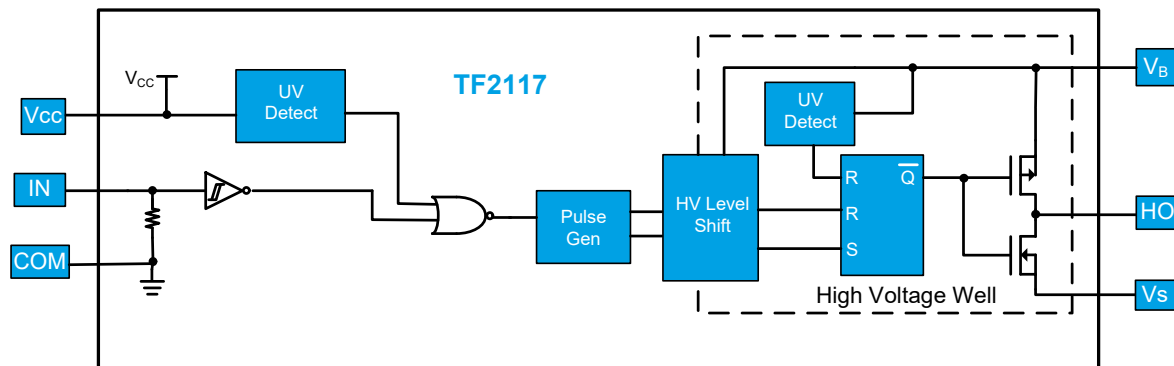
TF2118

Pin Descriptions

PIN NAME	PIN DESCRIPTION
VCC	Logic and gate drive supply
IN	TF2117 Logic input for gate driver output (HO), in phase with HO
IN*	TF2118 Logic input for gate driver output (HO), out of phase with HO
COM	Logic ground
NC	No Connect
V_S	High-side floating supply return
HO	High-side gate drive output
V_B	High-side floating supply



Functional Block Diagram





Single Channel Driver

Absolute Maximum Ratings (NOTE1)

V_B - High side floating supply voltage.....-0.3V to +624V
 V_S - High side floating supply offset voltage... V_B -24V to V_B +0.3V
 V_{HO} - High side floating output voltage..... V_S -0.3V to V_B +0.3V
 V_{CC} - Logic supply voltage.....-0.3V to +24V
 V_{IN} - Logic input voltage.....-0.3V to V_{CC} +0.3V
 dV_S / dt - Allowable offset supply voltage transient.....50 V/ns

P_D - Package power dissipation at $T_A \leq 25^\circ\text{C}$
 SOIC-8.....0.625W
 PDIP-8.....1.0W
 $R_{\theta JA}$ - Thermal Resistance, junction to Ambient
 SOIC-8.....200°C/W
 PDIP-8.....200°C/W

NOTE1 Stresses beyond those listed under "Absolute Maximum Ratings" may cause permanent damage to the device. These are stress ratings only, and functional operation of the device at these or any other conditions beyond those indicated in the operational sections of the specifications is not implied. Exposure to absolute maximum rating conditions for extended periods may affect device reliability.

T_J - Junction temperature.....+150 °C
 T_S - Storage temperature-55 to 150 °C
 T_L - Lead Temperature (soldering, 10 seconds.....300 °C

SOIC-8 Thermal Resistance (NOTE2)

θ_{JC}45 °C/W
 θ_{JA}200 °C/W

PDIP-8 Thermal Resistance (NOTE2)

θ_{JC}35 °C/W
 θ_{JA}125 °C/W

NOTE2 When mounted on a standard JEDEC 2-layer FR-4 board.

Recommended Operating Conditions

Symbol	Parameter	MIN	TYP	MAX	Unit
V_B	High side floating supply absolute voltage	$V_S + 10$		$V_S + 20$	V
V_S	High side floating supply offset voltage	NOTE3		600	
V_{HO}	High side floating output voltage	V_S		V_B	
V_{CC}	Low side and logic fixed supply voltage	10		20	
V_{IN}	Logic input voltage (IN/IN*)	0		V_{CC}	
T_A	Ambient temperature	-40		125	°C

NOTE3 Logic operational for V_S of -5V to +600V.



DC Electrical Characteristics (NOTE4)

$V_{BIAS} (V_{CC}, V_{BS}) = 15V, T_A = 25^\circ C$, unless otherwise specified.

Symbol	Parameter	Conditions	MIN	TYP	MAX	Unit
V_{IH}	Logic "1" input voltage	NOTE 5	9.5			V
V_{IL}	Logic "0" input voltage				6.0	
V_{OH}	High level output voltage, $V_{BIAS} - V_O$	$I_O = 2mA$		0.05	0.2	μA
V_{OL}	Low level output voltage, V_O	$I_O = 2mA$		0.02	0.1	
I_{LK}	Offset supply leakage current	$V_B = V_S = 600V$			50	
I_{BSQ}	Quiescent V_{BS} supply current	$V_{IN} = 0V$ or V_{CC}		50	240	
I_{CCQ}	Quiescent V_{CC} supply current	$V_{IN} = 0V$ or V_{CC}		70	340	μA
I_{IN+}	Logic "1" input bias current	$V_{IN} = V_{CC}$		20	40	
I_{IN-}	Logic "0" input bias current	$V_{IN} = 0V$			5.0	
V_{BSUV+}	V_{BS} supply under-voltage positive going threshold		7.6	8.6	9.6	V
V_{BSUV-}	V_{BS} supply under-voltage negative going threshold		7.2	8.2	9.2	
V_{CCUV+}	V_{CC} supply under-voltage positive going threshold		7.6	8.6	9.6	
V_{CCUV-}	V_{CC} supply under-voltage negative going threshold		7.2	8.2	9.2	
I_{O+}	Output high short circuit pulsed current	$V_O = 0V, V_{IN} = \text{Logic "1"}$, $PW \leq 10 \mu s$	200	290		mA
I_{O-}	Output low short circuit pulsed current	$V_O = 15V, V_{IN} = \text{Logic "0"}$, $PW \leq 10 \mu s$	420	600		

NOTE4 The V_{IH} , V_{IL} , and I_{IN} parameters are referenced to COM and are applicable to logic input pins: IN and IN*. The V_O and I_O parameters are referenced to COM and are applicable to the output pins HO.

NOTE5 For optimal operation, it is recommended that the input pulse (to IN and IN*) should have an amplitude of 9.5V minimum with a pulse width of 250ns minimum.



AC Electrical Characteristics

$V_{BIAS} (V_{CC}, V_{BS}) = 15V$, $C_L = 1000pF$, and $T_A = 25\text{ }^\circ\text{C}$, unless otherwise specified.

Symbol	Parameter	Conditions	MIN	TYP	MAX	Unit
t_{ON}	Turn-on propagation delay	$V_S = 0V$		125	200	ns
t_{OFF}	Turn-off propagation delay	$V_S = 600V$		105	180	
t_r	Turn-on rise time			75	130	
t_f	Turn-off fall time			35	65	

Timing Waveforms

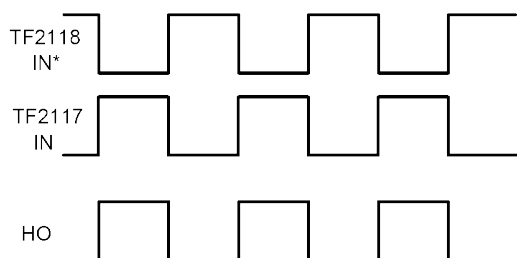


Figure 1. Input / Output Timing Diagram

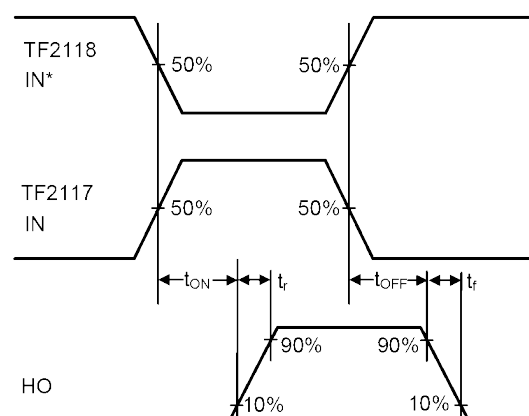


Figure 2. Switching Time Waveform Definitions



Application Information

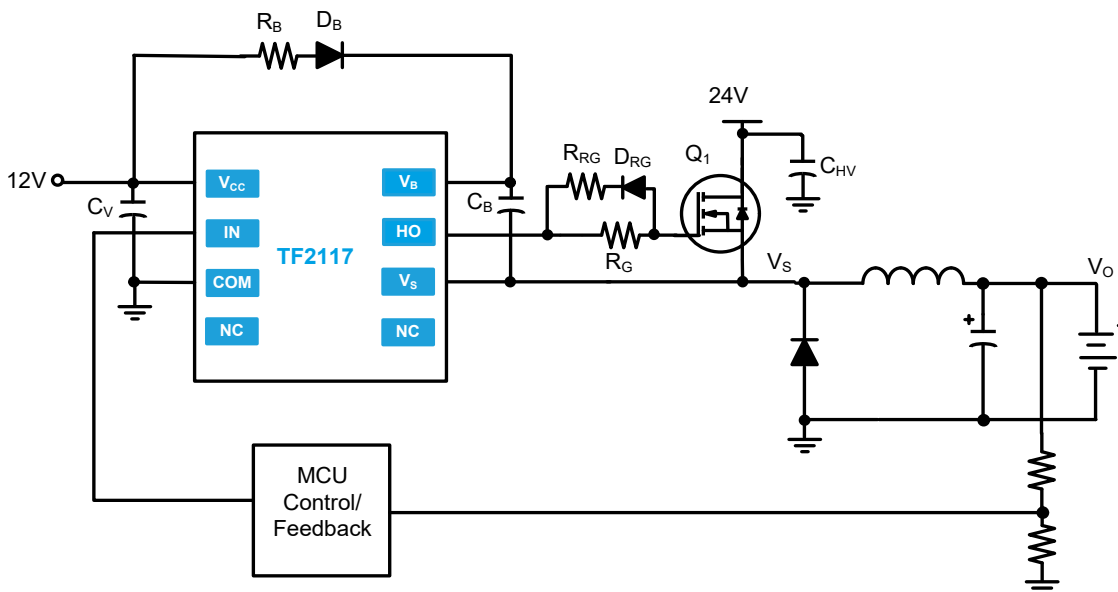


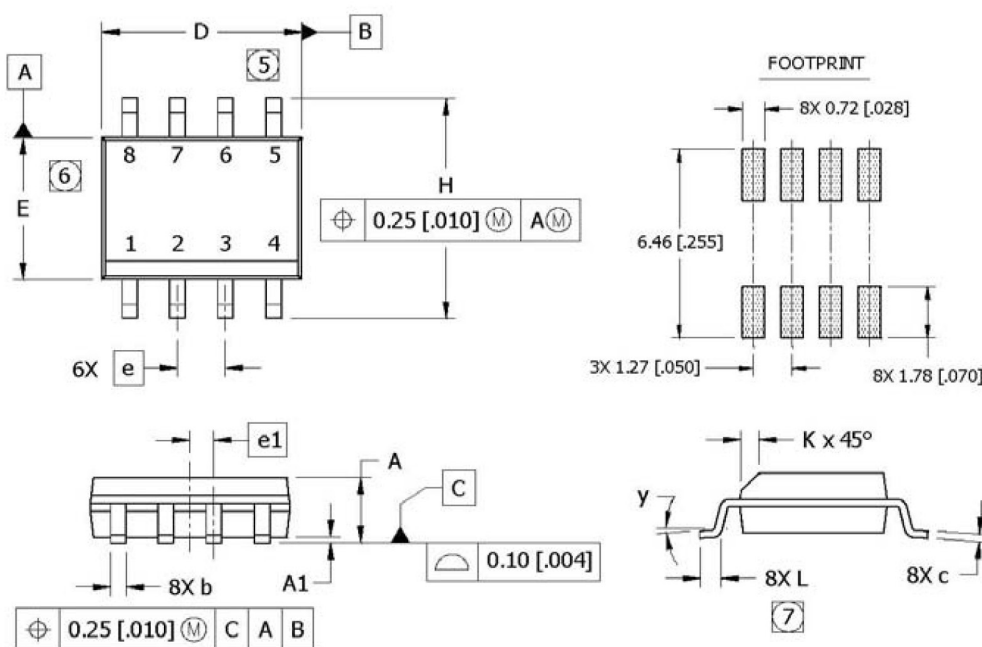
Figure 3. Buck converter using TF2117 in basic battery charger application

- RRG value is typically between 5Ω and 10Ω , exact value decided by MOSFET junction capacitance and drive current of gate driver; 10Ω is used in this example.
- RG value is typically between 10Ω and 50Ω , exact value decided by MOSFET junction capacitance and drive current of gate driver; 20Ω is used in this example.
- RB value is typically between 3Ω and 20Ω , exact value depending on bootstrap capacitor value and amount of current limiting required for bootstrap capacitor charging; 10Ω is used in this example. Also DB should be an ultra fast diode of 1A rating minimum and voltage rating greater than system operating voltage.
- It is recommended that the input pulse (to IN) should have an amplitude of 9.5V minimum (for VDD=15V) with a minimum pulse width of 250ns.



Package Dimensions (SOIC-8 N)

Please contact support@tfsemi.com for package availability.



DIM	INCHES		MILLIMETERS	
	MIN	MAX	MIN	MAX
A	.0532	.0688	1.35	1.75
A1	.0040	.0098	0.10	0.25
b	.013	.020	0.33	0.51
c	.0075	.0098	0.19	0.25
D	.189	.1968	4.80	5.00
E	.1497	.1574	3.80	4.00
e	.050 BASIC		1.27 BASIC	
e1	.025 BASIC		0.635 BASIC	
H	.2284	.2440	5.80	6.20
K	.0099	.0196	0.25	0.50
L	.016	.050	0.40	1.27
y	0°	8°	0°	8°

NOTES:

1. DIMENSIONING & TOLERANCING PER ASME Y14.5M-1994.
2. CONTROLLING DIMENSION: MILLIMETER
3. DIMENSIONS ARE SHOWN IN MILLIMETERS [INCHES].
4. OUTLINE CONFORMS TO JEDEC OUTLINE MS-012AA.

- ⑤ DIMENSION DOES NOT INCLUDE MOLD PROTRUSIONS. MOLD PROTRUSIONS NOT TO EXCEED 0.15 [0.006].
- ⑥ DIMENSION DOES NOT INCLUDE MOLD PROTRUSIONS. MOLD PROTRUSIONS NOT TO EXCEED 0.25 [0.010].
- ⑦ DIMENSION IS THE LENGTH OF LEAD FOR SOLDERING TO A SUBSTRATE.

01-6027



Revision History

Rev.	Change	Owner	Date
2.0	First release, Advance info datasheet	Keith Spaulding	12/5/2015
2.1	Add note 5	Keith Spaulding	10/31/2019
2.2	Add Application Information, pg. 7	Keith Spaulding	5/18/2020

Important Notice

TF Semiconductor Solutions (TFSS) PRODUCTS ARE NEITHER DESIGNED NOR INTENDED FOR USE IN MILITARY AND/OR AEROSPACE, AUTOMOTIVE OR MEDICAL DEVICES OR SYSTEMS UNLESS THE SPECIFIC TFSS PRODUCTS ARE SPECIFICALLY DESIGNATED BY TFSS FOR SUCH USE. BUYERS ACKNOWLEDGE AND AGREE THAT ANY SUCH USE OF TFSS PRODUCTS WHICH TFSS HAS NOT DESIGNATED FOR USE IN MILITARY AND/OR AEROSPACE, AUTOMOTIVE OR MEDICAL DEVICES OR SYSTEMS IS SOLELY AT THE BUYER'S RISK.

TFSS assumes no liability for application assistance or customer product design. Customers are responsible for their products and applications using TFSS products.

Resale of TFSS products or services with statements different from or beyond the parameters stated by TFSS for that product or service voids all express and any implied warranties for the associated TFSS product or service. TFSS is not responsible or liable for any such statements.

©2014 TFSS. All Rights Reserved. Information and data in this document are owned by TFSS wholly and may not be edited, reproduced, or redistributed in any way without the express written consent from TFSS.

For additional information please contact support@tfsemi.com or visit www.tfsemi.com

X-ON Electronics

Largest Supplier of Electrical and Electronic Components

Click to view similar products for [Gate Drivers](#) category:

Click to view products by [TFSS](#) manufacturer:

Other Similar products are found below :

[00053P0231](#) [56956](#) [57.404.7355.5](#) [LT4936](#) [57.904.0755.0](#) [5882900001](#) [00600P0005](#) [5951900000](#) [0131700000](#) [00-2240](#) [LTP70N06](#)
[LVP640](#) [5J0-1000LG-SIL](#) [LY2-US-AC240](#) [LY3-UA-DC24](#) [00576P0020](#) [LZNQ2-US-DC12](#) [LZP40N10](#) [0207100000](#) [0207400000](#)
[60100564](#) [60249-1-CUT-TAPE](#) [0134220000](#) [6035](#) [60713816](#) [M15730061](#) [61161-90](#) [61278-0020](#) [6131-204-23149P](#) [6131-205-17149P](#)
[6131-209-15149P](#) [6131-218-17149P](#) [6131-220-21149P](#) [6131-260-2358P](#) [6131-265-11149P](#) [CS1HCPU63](#) [6150300002](#) [6150-5001](#) [CSK-38-](#)
[60006](#) [CSK-38-60008](#) [621A](#) [622-4053LF](#) [6273](#) [M37730026](#) [M40N08MA-H](#) [M55155/29XH06](#) [64-807](#) [65003](#) [65-1930-6](#) [M82310002](#)