



TF2366M/TF2388M

3-Phase Half-Bridge Gate Driver

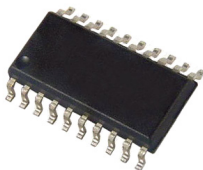
Features

- Three floating high-side drivers in bootstrap operation to 500V/600V
- 420mA source / 750mA sink output current capability
- Logic input 3.3V capability
- Internal deadtime of 315ns to protect MOSFETs
- Matched prop delay time maximum of 50ns
- Outputs in phase with inputs
- Schmitt triggered logic inputs
- Cross conduction prevention logic
- Undervoltage lockout for all channels
- Extended temperature range: -40°C to +125°C
- Space saving SOIC-20 package

Applications

- 3-Phase Motor Inverter Driver
- White Goods - Air Conditioner, Washing Machine, Refrigerator
- Industrial Motor Inverter - Power Tools, Robotics
- General Purpose 3-Phase Inverter

SOIC-20



Description

The TF2366M/TF2388M is a three-phase gate driver IC designed for high voltage three-phase applications, driving N-channel MOSFETs and IGBTs in a half-bridge configuration. TF Semiconductor's high voltage process enables the TF2388M high sides to switch to 600V in a bootstrap operation, and the TF2366M can switch to 500V.

The TF2366M/TF2388M logic inputs are compatible with standard TTL and CMOS levels (down to 3.3V) to interface easily with controlling devices and are enabled low to better function in high noise environments. The driver outputs feature high pulse current buffers designed for minimum driver cross conduction.

The TF2366M/TF2388M offers numerous protection functions. A shoot-through protection logic prevents both outputs being high with both inputs high (fault state), an undervoltage lockout for V_{CC} shuts down all drivers through an internal fault control, and a UVLO for V_{BS} shuts down the respective high side output. The TF2366M/TF2388M is offered in SOIC 20 package and operates over an extended -40 °C to +125 °C temperature range.

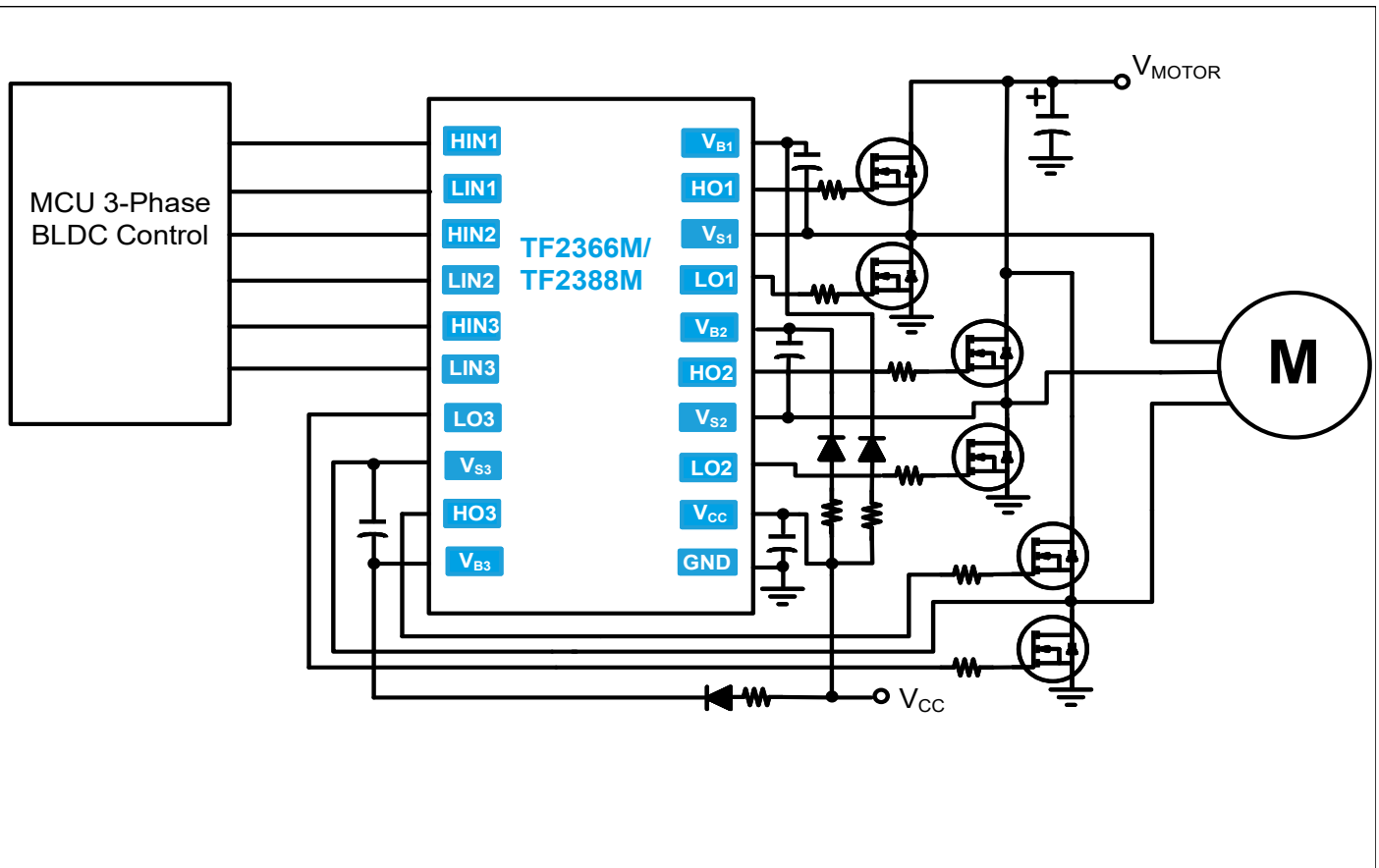
Ordering Information

Year Year Week Week

PART NUMBER	PACKAGE	PACK / Qty	MARK
TF2366M-TGU	SOIC-20	Tube / 35	YYWW TF2366M
TF2366M-TGH	SOIC-20	T&R / 1500	Lot ID
TF2388M-TGU	SOIC-20	Tube / 35	YYWW TF2388M
TF2388M-TGH	SOIC-20	T&R / 1500	Lot ID

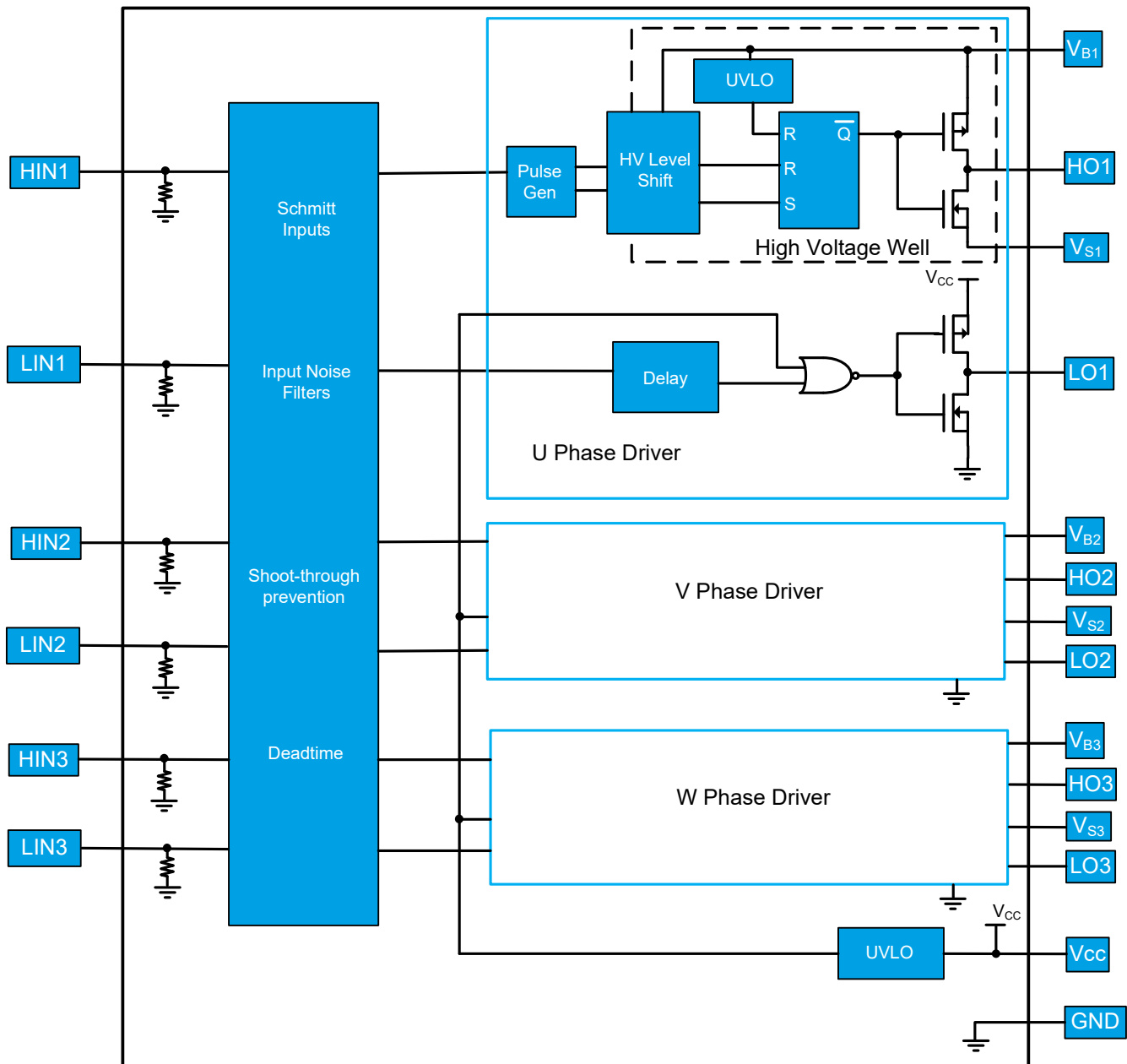


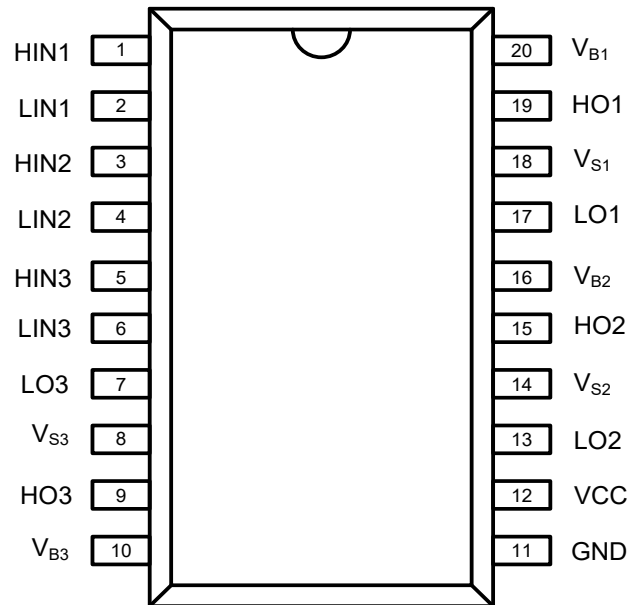
Typical Application





Functional Block Diagram





Top View: SOIC-20

Pin Descriptions

PIN NAME	PIN NUMBER	PIN DESCRIPTION
HIN1, HIN2, HIN3	1, 3, 5	Logic input for high-side gate driver output, in phase with HO.
LIN1, LIN2, LIN3	2, 4, 6	Logic input for low-side gate driver output, in phase with LO.
LO3, LO2, LO1	7, 13, 17	Low-side gate driver output
V_{S3}, V_{S2}, V_{S1}	8, 14, 18	High-side floating supply return
HO3, HO2, HO1	9, 15, 19	High-side gate driver output
V_{B3}, V_{B2}, V_{B1}	10, 16, 20	High-side floating supply
GND	11	Low-side driver and logic return
VCC	12	Low-side and logic fixed supply



Absolute Maximum Ratings (NOTE1)

V_B - High-side floating supply voltage (TF2366M)..-0.3V to +524V
 V_B - High-side floating supply voltage (TF2388M)..-0.3V to +624V
 V_S - High-side floating supply offset voltage... V_B -24V to V_B +0.3V
 V_{HO} - High-side floating output voltage..... V_S -0.3V to V_B +0.3V
 V_{LO} - Low-side output voltage.....-0.3V to V_{CC} +0.3V
 dV_S/dt - Offset supply voltage transient.....50V/ns
 V_{CC} - Low-side fixed supply voltage.....-0.3V to +24V
 V_{IN} - Logic input voltage (HIN and LIN).....-0.3V to 5.5V

NOTE1 Stresses beyond those listed under "Absolute Maximum Ratings" may cause permanent damage to the device. These are stress ratings only, and functional operation of the device at these or any other conditions beyond those indicated in the operational sections of the specifications is not implied. Exposure to absolute maximum rating conditions for extended periods may affect device reliability.

P_D - Package power dissipation at $T_A=25^\circ\text{C}$
 SOIC-20.....1.88W
 SOIC-20 Thermal Resistance (**NOTE2**)
 θ_{JA}66.6 $^\circ\text{C/W}$
 T_J - Junction operating temperature.....+150 $^\circ\text{C}$
 T_L - Lead Temperature (soldering, 10 seconds).....+300 $^\circ\text{C}$
 T_{stg} - Storage temperature-55 to 150 $^\circ\text{C}$

NOTE2 When mounted on a standard JEDEC 2-layer FR-4 board.

Recommended Operating Conditions

Symbol	Parameter	MIN	MAX	Unit
V_B	High side floating supply absolute voltage	$V_S + 10$	$V_S + 20$	V
V_S	High side floating supply offset voltage	TF2366M	500	V
		TF2388M	600	
V_{HO}	High side floating output voltage	V_S	V_B	V
V_{CC}	Low side fixed supply voltage	10	20	V
V_{LO}	Low side output voltage	COM	V_{CC}	V
V_{IN}	Logic input voltage (HIN and LIN)	0	5	V
T_A	Ambient temperature	-40	125	$^\circ\text{C}$

NOTE3 Logic operational for V_S of -5V to +500V for TF2366M and +600V for TF2388M.



DC Electrical Characteristics (NOTE4)

$V_{BIAS} (V_{CC}, V_{BS}) = 15V, T_A = 25^\circ C$, unless otherwise specified.

Symbol	Parameter	Conditions	MIN	TYP	MAX	Unit
V_{IH}	Logic "0" input voltage	NOTES	2.4			V
V_{IL}	Logic "1" input voltage				0.8	
V_{OH}	High level output voltage, $V_{BIAS} - V_O$	$I_O = 2mA$		0.2	0.5	
V_{OL}	Low level output voltage, V_O	$I_O = 2mA$		0.07	0.2	
I_{LK}	Offset supply leakage current	$V_B=V_S=500V$ (TF2366M) $V_B=V_S=600V$ (TF2388M)			10	μA
I_{BSQ}	Quiescent V_{BS} supply current	$V_{IN} = 0V$ or $5V$		50	80	
I_{BSO}	Operating V_{BS} supply current	$f_s = 20kHz$		400		
I_{CCQ}	Quiescent V_{CC} supply current	$V_{IN} = 0V$ or $5V$		230	330	
I_{CCO}	Operating V_{CC} supply current	$f_s = 20kHz$		500		
I_{IN+}	Logic "1" input bias current	$V_{IN} = 5V$		25	80	
I_{IN-}	Logic "0" input bias current	$V_{IN} = 0V$			2	
R_{IN}	Input pull-down resistance			200		$k\Omega$
V_{BSUV+} V_{CCUV+}	V_{BS} and V_{CC} supply under-voltage positive going threshold		7.1	8.5	9.9	V
V_{BSUV-} V_{CCUV-}	V_{BS} and V_{CC} supply under-voltage negative going threshold		6.7	8.1	9.5	
I_{O+}	Output high short circuit pulsed current	$V_O = 0V, PW \leq 10 \mu s$	270	420		mA
I_{O-}	Output low short circuit pulsed current	$V_O = 15V, PW \leq 10 \mu s$	600	750		

NOTE4 The V_{IN} , V_{TH} , and I_{IN} parameters are referenced to V_{SS} and are applicable to all six channels (HIN1,2,3 and LIN1,2,3). The V_O and I_O parameters are applicable to the outputs (HO1,2,3 and LO1,2,3 and are referenced to COM.

NOTES For optimal operation, it is recommended that the input pulse (to HINx and LINx) should have an amplitude of 2.4V minimum with a pulse width of 600ns minimum.



AC Electrical Characteristics

$V_{BIAS} (V_{CC}, V_{BS}) = 15V$, $C_L = 1000pF$, and $T_A = 25^\circ C$, unless otherwise specified.

Symbol	Parameter	Conditions	MIN	TYP	MAX	Unit
t_{on}	Turn-on propagation delay	$V_s = 0V$	70	120	170	ns
t_{off}	Turn-off propagation delay	$V_s = 0V$	70	120	170	
t_r	Turn-on rise time	$V_s = 0V$		45	75	
t_f	Turn-off fall time			25	40	
t_{DM}	Delay matching				50	ns
t_{DT}	Deadtime		200	315	430	ns
t_{DTM}	Deadtime matching				50	ns

Timing Waveforms

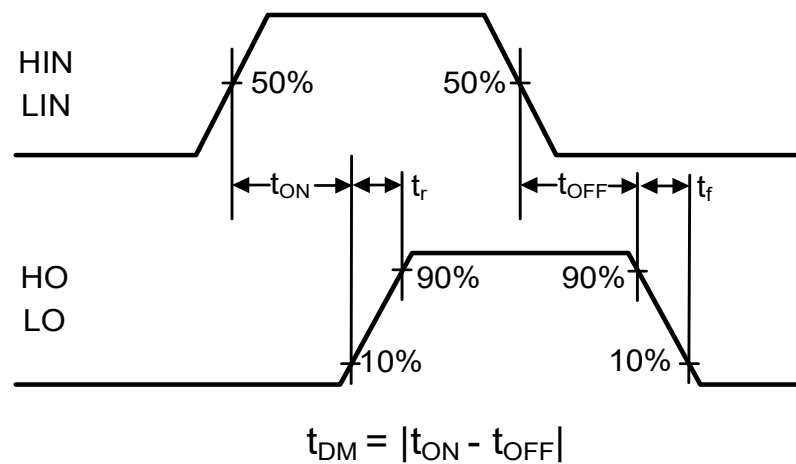


Figure 1. Switching Time Waveform Definitions

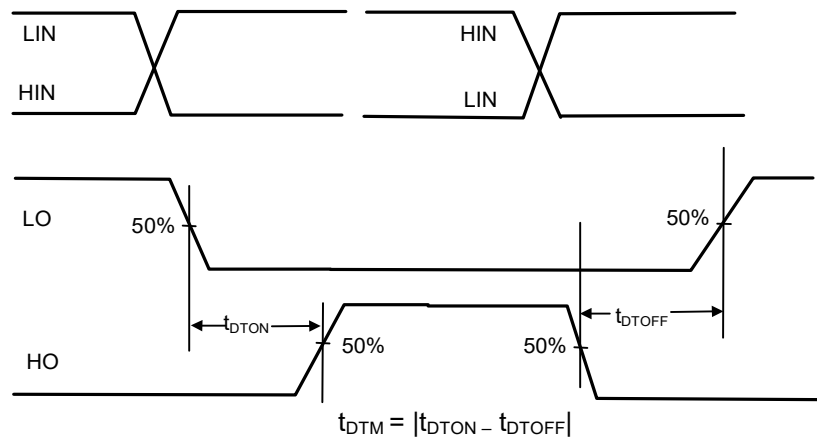
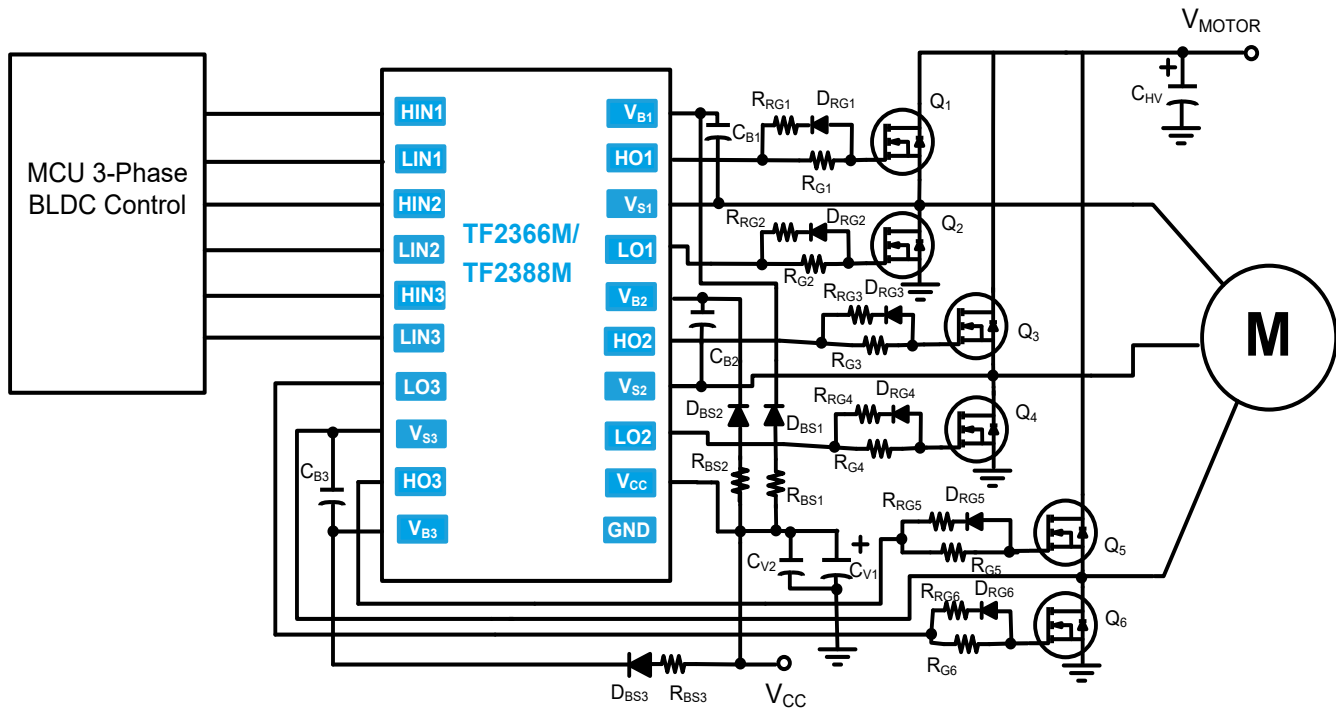


Figure 2. Deadtime Waveform Definitions



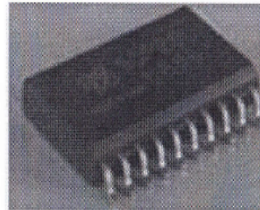
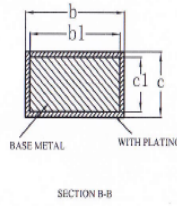
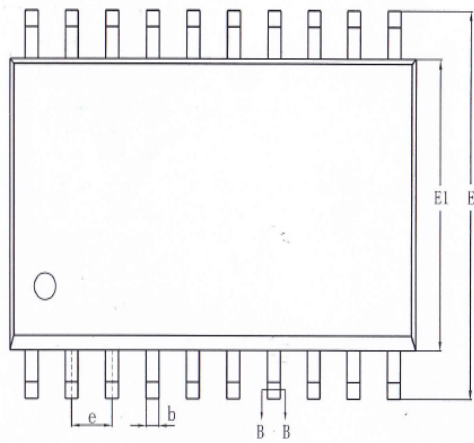
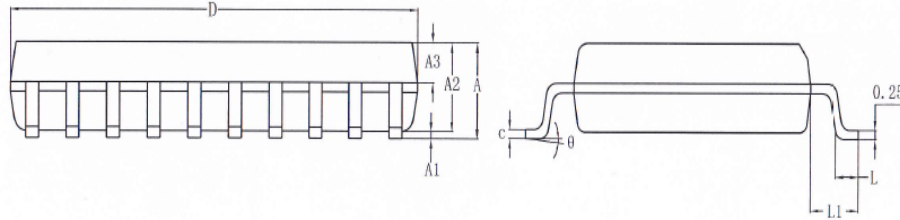
Application Information



- RRG1 - RRG6 values are typically between 0Ω and 10Ω , exact value decided by MOSFET junction capacitance and drive current of gate driver; 10Ω is used in this example.
- RG1 - RG6 values are typically between 20Ω and 100Ω , exact value decided by MOSFET junction capacitance and drive current of gate driver; 50Ω is used in this example.
- RBS1 - RBS3 values are typically between 3Ω and 20Ω , exact value depending on bootstrap capacitor value and amount of current limiting required for bootstrap capacitor charging; 10Ω is used in this example. Also DBS1 - DBS3 should be an ultra fast diode of 1A rating minimum and voltage rating greater than system operating voltage.
- It is recommended that the input pulse (to HINx and LINx) should have a minimum amplitude of 2.4V and a minimum pulse width of 600ns.



Package Dimensions (SOIC-20)



SYMBOL	MILLIMETER		
	MIN	NOM	MAX
A	—	—	2.65
A1	0.10	—	0.30
A2	2.25	2.30	2.35
A3	0.97	1.02	1.07
△ b	0.35	—	0.43
△ b1	0.34	0.37	0.40
△ c	0.25	—	0.29
△ c1	0.24	0.25	0.26
△ D	12.70	12.80	12.90
E	10.10	10.30	10.50
△ E1	7.40	7.50	7.60
e	1.27BSC		
L	0.70	—	1.00
L1	1.40REF		
θ	0	—	8°



Revision History

Rev.	Change	Owner	Date
1.0	First release, final datasheet	Keith Spaulding	6/22/2022

Important Notice

TF Semiconductor Solutions (TFSS) PRODUCTS ARE NEITHER DESIGNED NOR INTENDED FOR USE IN MILITARY AND/OR AEROSPACE, AUTOMOTIVE OR MEDICAL DEVICES OR SYSTEMS UNLESS THE SPECIFIC TFSS PRODUCTS ARE SPECIFICALLY DESIGNATED BY TFSS FOR SUCH USE. BUYERS ACKNOWLEDGE AND AGREE THAT ANY SUCH USE OF TFSS PRODUCTS WHICH TFSS HAS NOT DESIGNATED FOR USE IN MILITARY AND/OR AEROSPACE, AUTOMOTIVE OR MEDICAL DEVICES OR SYSTEMS IS SOLELY AT THE BUYER'S RISK.

TFSS assumes no liability for application assistance or customer product design. Customers are responsible for their products and applications using TFSS products.

Resale of TFSS products or services with statements different from or beyond the parameters stated by TFSS for that product or service voids all express and any implied warranties for the associated TFSS product or service. TFSS is not responsible or liable for any such statements.

©2022 TFSS. All Rights Reserved. Information and data in this document are owned by TFSS wholly and may not be edited, reproduced, or redistributed in any way without the express written consent from TFSS.

For additional information please contact support@tfsemi.com or visit www.tfsemi.com.

X-ON Electronics

Largest Supplier of Electrical and Electronic Components

Click to view similar products for [Gate Drivers](#) category:

Click to view products by [TFSS](#) manufacturer:

Other Similar products are found below :

[00053P0231](#) [56956](#) [57.404.7355.5](#) [LT4936](#) [57.904.0755.0](#) [5882900001](#) [00600P0005](#) [5951900000](#) [0131700000](#) [00-2240](#) [LTP70N06](#)
[LVP640](#) [5J0-1000LG-SIL](#) [LY2-US-AC240](#) [LY3-UA-DC24](#) [00576P0020](#) [LZNQ2-US-DC12](#) [LZP40N10](#) [0207100000](#) [0207400000](#)
[60100564](#) [60249-1-CUT-TAPE](#) [0134220000](#) [6035](#) [60713816](#) [M15730061](#) [61161-90](#) [61278-0020](#) [6131-204-23149P](#) [6131-205-17149P](#)
[6131-209-15149P](#) [6131-218-17149P](#) [6131-220-21149P](#) [6131-260-2358P](#) [6131-265-11149P](#) [CS1HCPU63](#) [6150300002](#) [6150-5001](#) [CSK-38-](#)
[60006](#) [CSK-38-60008](#) [621A](#) [622-4053LF](#) [6273](#) [M37730026](#) [M40N08MA-H](#) [M55155/29XH06](#) [64-807](#) [65-1930-6](#) [M82310002](#)
[CV500ISB02](#)