

# Altech Universal Digital Multi-Timer

Altech's AMT-Series of Universal Digital Multi-Timers comprises 4 models featuring 8 or 18 timer functions to offer highest flexibility in controlling operations. The time range is adjustable from 0.1s to 999h. An LCD display shows current Run time information.

## Features

- Multifunctional Timer (8 or 18 Functions)
- Universal Voltage 24~265 VAC/ DC
- Wide Time Range: 0.1s ~ 999h
- 3 Digit LCD Display for Preset Time and Run Time
- DIN Rail Mounted
- 17.5mm Width

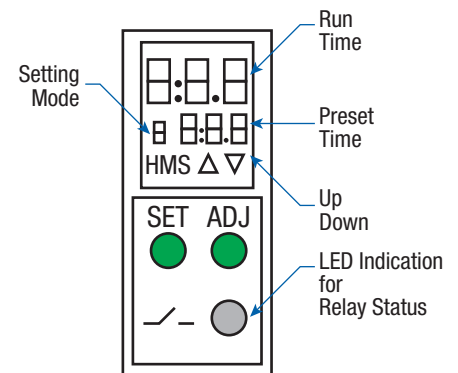


## Digital Timers

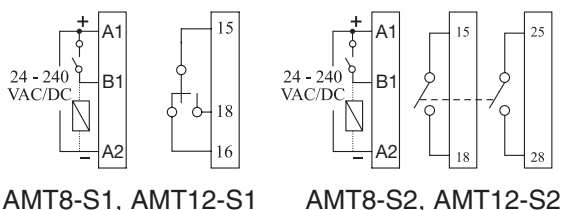
Cat. No.	AMT8-S1	AMT8-D2	AMT12-S1	AMT12-D2
Output Contacts	1 C/O	2 NO	1 C/O	2 NO
No. of Timer Functions	8	8	18	18
Functions / [setting mode]	1) ON Delay [A]		1) ON Delay [0]	
	2) Cyclic OFF/ ON [b]		2) Cyclic OFF/ ON [1]	
	3) Cyclic ON/ OFF [c]		3) Cyclic ON/ OFF [2]	
	4) Signal ON/ OFF [d]		4) Impulse on Energizing [3]	
	5) Signal OFF Delay [E]		5) Accumulative Delay on Signal [4]	
	6) Interval [F]		6) Accumulative Delay on Inverted Signal [5]	
	7) Signal OFF/ ON [G]		7) Accumulative Impulse on Signal [6]	
	8) One Shot Output [H]		8) Signal ON Delay [7]	
			9) Inverted Signal ON Delay [8]	
			10) Signal OFF Delay [9]	
			11) Impulse ON/ OFF [A]	
			12) Signal OFF/ ON [b]	
			13) Leading Edge Impulse 1 [c]	
			14) Leading Edge Impulse 2 [d]	
			15) Trailing Edge Impulse 1 [E]	
			16) Trailing Edge Impulse 2 [F]	
			17) Delayed Impulse [G]	
			18) Inverted Signal ON Delay 2 [H]	

## Specifications

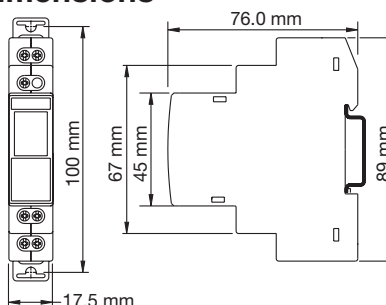
Supply Voltage	24 - 265 VAC/ DC (50, 60Hz)
Power Consumption	10 VA max.
Timing Range	0.1s ~ 999h
Reset Time	200ms max.
Repeat Accuracy	+/-0.5%
Output Contact Rating	8A @ 240 VAC/ 24 VDC (resistive)
Electrical Life	10,000 switching cycles
Mechanical Life	2,000,000 switching cycles
AC-15 Rating	Rated Voltage (Ue): 125/ 240V, Rated Current (Ie): 3/1.5A
DC-13 Rating	Rated Voltage (Ue): 125/ 250V, Rated Current (Ie): 2/0.22/0.1A
Operating Temperature	-10°C ~ +55°C (+14°F ~ 131°F)
Storage Temperature	-20°C ~ +65°C (-4°F ~ 149°F)
Weight	85g (0.14lb.)
Protection Enclosure	IP30
Protection Terminals	IP20
Torque	0.40 Nm (3.5 lb.in.)
Terminal Wire Size	0.3-2.5 mm <sup>2</sup> (22-14 AWG)



## Connection Diagrams



## Dimensions



Scan this QR code for more information.



# Altech Universal Multi-Timer

Altech's Universal Multi-Timers comprises 2 models featuring 2 or 10 timing functions to offer highest flexibility in controlling operations. The time range is adjustable from 0.1s to 100h. Dials on the front make it easy to use.

## Features

- Multifunctional Timer (10 Functions)
- Assymmetric Timer (2 Functions)
- Universal Voltage 12-265V AC/ DC
- Wide Time Range: 0.1s ~ 100h
- LED Indicator for Power and Relay Status
- DIN Rail Mounted
- 17.5mm Width



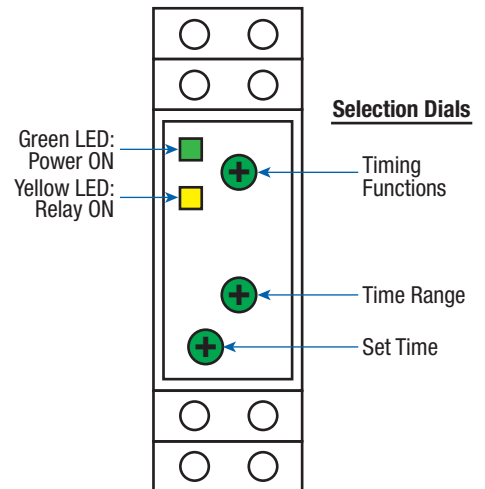
## Digital Timers

CAT. NO.	AMT10-S1	AMTAS-S1
Output Contacts	1 C/O	1 C/O
No. of Timer Functions	10	2
Functions	1) Signal ON Delay	1) Assymmetric ON/ OFF
	2) Cyclic ON/ OFF	2) Assymmetric OFF/ ON
	3) Cyclic OFF/ ON	
	4) Signal OFF Delay	
	5) Signal OFF/ ON	
	6) Accumulative Delay on Signal	
	7) Impulse ON/ OFF	
	8) Leading Edge Impulse	
	9) Trailing Edge Impulse	
	10) Leading Edge Bi-stable	

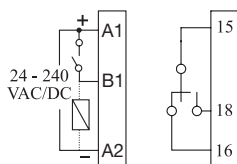
## SPECIFICATIONS

Supply Voltage	12 - 265 VAC/ DC (50, 60Hz)
Power Consumption	2 VA max.
Timing Range	0.1s ~ 100h
Reset Time	200ms max.
Repeat Accuracy	+1.0%
Output Contact Rating	8A @ 240V AC / 5A@240V DC (resistive)
Electrical Life	10,000 switching cycles
Mechanical Life	1,000,000 switching cycles
AC-15 Rating	Rated Voltage (Ue): 125/ 240V, Rated Current (Ie): 3/1.5A
DC-13 Rating	Rated Voltage (Ue): 125/ 250V, Rated Current (Ie): 2/0.22/0.1A
Operating Temperature	-10°C ~ +60°C (+14°F ~ 131°F)
Storage Temperature	-15°C ~ +70°C (-4°F ~ 149°F)
Weight	70g (0.14lb.)
Protection Enclosure	IP30
Protection Terminals	IP20
Torque	0.60 Nm (6 lb.in.)
Terminal Wire Size	0.3-2.5 mm <sup>2</sup> (18-10 AWG)

## DISPLAY FUNCTIONS

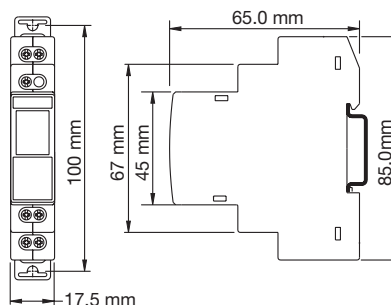


## CONNECTION DIAGRAMS



AMT10-S1, AMTAS-S1

## DIMENSIONS



# Altech Digital Time Switch

Altech's ATS Series of Digital Time Switches comprises 6 models featuring Precise Time Programming for Daily/ Weekly (ATS-C) or Pulse (ATS-P) switching. An LCD displays shows current Timing and Function information.



## Features

- 25 ON/ OFF Programs (16 ON Programs for Pulse version)
- LCD Display for Time and Program Information
- Various Supply voltages
- Keypad Lockable
- 12/ 24h time format
- Settable Daylight Savings Time
- Simple Manual Override
- DIN Rail Mount

CAT. NO.	Chrono Version	Pulse Version
Supply Voltage	<b>ATS-C120</b>	<b>ATS-P120</b>
110-240V AC	<b>ATS-C12</b>	<b>ATS-P12</b>
12V DC	<b>ATS-C24</b>	<b>ATS-P24</b>
24V DC		
Power Consumption	4 VA max.	4 VA max.
Programs	25 ON/ OFF Programs	16 Pulse Programs
Minimum Switching Time	1min	1s
Programmable Pulse duration	–	1-59s

## DESCRIPTION

The standard timings version (**ATS-C**) and Pulse version (**ATS-P**) essentially differ in their programmed ON/OFF duration.

### Chrono Version

The **ATS-C** Series allows daily/ weekly switching times with a minimum duration of 1min. 25 ON/ OFF programs can be configured. Application examples are Lighting applications, illuminated advertising displays, HVAC and Pump applications.

### Pulse Version

The Pulse version, **ATS-P** series, allows pulse operations to be scheduled with duration 1-59s. Application Examples are scheduling Sirens, bells, etc.

## OPERATING MODES

Mode	Chrono Version	Pulse Version
AUTO	Program ON	Program On
ON AUTO	Instant ON until next Auto event	–
AUTO OFF	Instant OFF until next Auto event	–
ON	Continuous ON	Continuous ON
OFF	Continuous OFF	Continuous OFF

## SPECIFICATIONS

### Functional

Display	3 Line Text LCD
Clock Resolution	1 minute
Clock Mode	12h (AM/ PM) or 24h
Clock Accuracy	+/- 2s above operating temperature
LED Indicator	ON: relay activated, OFF: relay deactivated

### Output

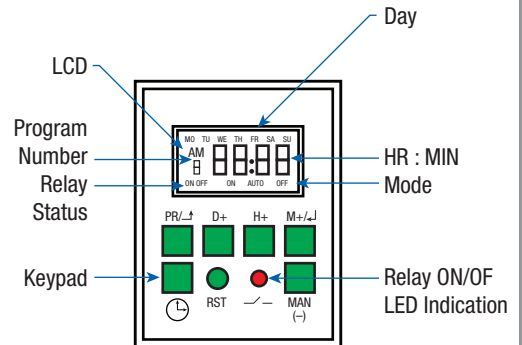
Output Configuration	1 x SPDT (C/O)
Output Contact Rating	16A (NO), 5A (NC) @ 240VAC/ 24VDC (resistive) 6A @ 250VAC, cosΦ=0.6 (inductive)

Electrical Life	30,000 switching cycles
AC-15 Rating	250VAC/ 6.0A, cosΦ=0.6, 85°C
DC-13 Rating	Rated Voltage (Ue): 24VDC, Rated Current (Ie): 2.0A

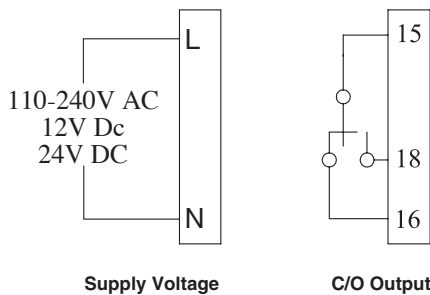
### Material

Operating Temperature	-10°C - 55°C (14°F - 131°F)
Storage Temperature	-10°C - 60°C (14°F - 140°F)
Protection Enclosure	IP40 (Enclosure), IP20 (Terminals)
Housing	UL94-V0
Torque Terminals	0.54 Nm (3.5lb.in.), M2.5 screw
Terminal Wire Size	0.2-3.3mm <sup>2</sup> (24-12AWG)
Weight	110g (0.24lb.)

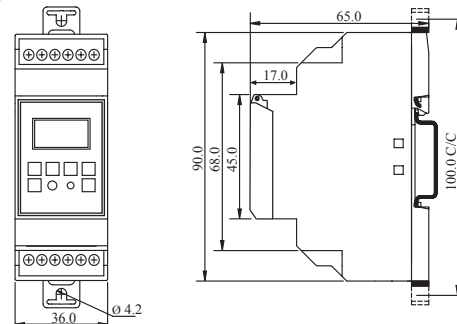
## DISPLAY FUNCTIONS



## CONNECTION DIAGRAMS



## DIMENSIONS



# Altech Programmable Panel-Mount Digital Multi-Timer

Altech's AMT33 Series of Programmable Panel-Mount Digital Multi-Timers comprises 2 models featuring 33 Timing Functions and 2 separate Outputs with selectable Timing modes for maximum flexibility in automation and control applications. Timing Range is adjustable from 0.1s to 999 days. A Digital 7-Segment shows current Run Time information and Input/Output states.



## FEATURES

- 33 Built-in Timing Functions
- Supply Voltage 110-240 VAC
- 7 Segment Digital LED Display
- 2 Separate Output Channels
- Individually selectable Timing Functions
- Wide Timing Range 0.1s - 999 days
- Compact Design
- Panel & DIN rail (11-pin socket) mount

## CAT. NO.

Mounting

## AMT33-S2

Panel Mount

## AMT33-S2-11

DIN/ 11-pin Socket Mount

## SPECIFICATIONS

### Electrical

Supply Voltage	110-240VAC (-20% to +10%), 50/ 60Hz
Power Consumption	9 VA max.
Timing Range	0.1s - 999 days
Reset Time/ Initiation Time	max. 200ms/ 100ms
Timing Accuracy	+/- 0.01%

### Input

Input Signal	High Range: 85-265VAC/ 100-265DC Low Range: 24-60V AC/DC
Signal Sensing Time	50ms max. (10ms for DC)
Signal Wait Period	100ms @ Power on/ signal based modes
Signal Isolation	2kV

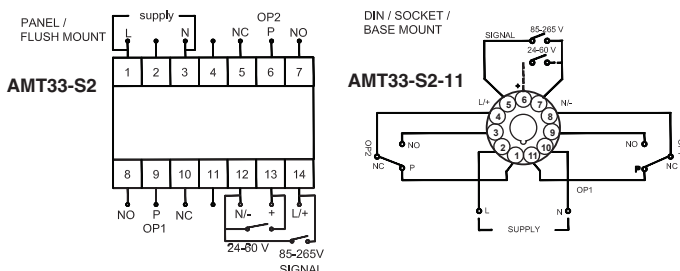
### Output

Output Configuration	2 x SPDT (C/O)
Output Contact Rating	5A (NO), 3A (NC)
Electrical Life	10,000 switching cycles
Mechanical Life	500,000 switching cycles
AC-15 Rating	250VAC/ 2A, cosΦ=0.6, 85°C
DC-13 Rating	Rated Voltage (Ue): 24VDC, Rated Current (Ie): 2.0A

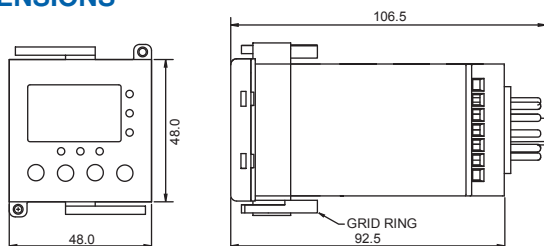
### Material

Operating Temperature	-5°C - 55°C (23°F - 131°F)
Storage Temperature	-10°C - 60°C (14°F - 140°F)
Protection Enclosure	IP30 (Enclosure), IP20 (Terminals)
Torque Terminals	0.50 Nm (3.5lb.in.), M3 screw
Terminal Wire Size	0.12-2.0mm <sup>2</sup> (26-14AWG)
Weight	160g (0.35lb)

## CONNECTION DIAGRAMS



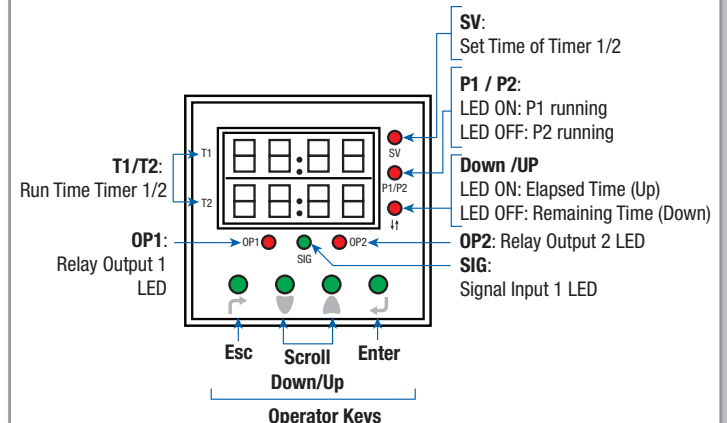
## DIMENSIONS



## TIMING FUNCTIONS

MODE 00	ON Delay
MODE 01	ON Delay constant supply 2
MODE 02	ON Delay constant supply 3
MODE 03	ON Delay (Control Switch resettable)
MODE 04	Signal ON Delay
MODE 05	Inverted Signal ON Delay
MODE 06	Inverted Signal ON Delay 2
MODE 07	Signal OFF Delay
MODE 08	OFF Delay constant supply 2
MODE 09	Cyclic ON/ OFF
MODE 10	Cyclic OFF/ ON
MODE 11	Assymmetric Cycle Pulse Start
MODE 12	Assymmetric Recycler Pulse Start 2
MODE 13	Signal ON/ OFF Delay
MODE 14	Signal ON/ OFF Delay 2
MODE 15	Signal OFF/ ON
MODE 16	Impulse on Energizing
MODE 17	Impulse ON/ OFF
MODE 18	Accumulative Delay ON Signal
MODE 19	Accumulative Delay ON Inverted Signal
MODE 20	Accumulative Impulse ON Signal
MODE 21	Leading Edge Impulse 1
MODE 22	Leading Edge Impulse 2
MODE 23	Trailing Edge Impulse 1
MODE 24	Trailing Edge Impulse 2
MODE 25	Delayed Impulse 1
MODE 26	Delayed Impulse 2
MODE 27	Delayed Pulse constant supply, power based
MODE 28	Delayed Pulse (Remote Trigger)
MODE 29	Delayed Pulse constant supply 2
MODE 30	ON Pulse (Control Switch resettable)/ Watchdog Type
MODE 31	On Pulse (Supply Reset)
MODE 32	Leading Edge Bi-stable or Step Relay

## DISPLAY FUNCTIONS



## X-ON Electronics

Largest Supplier of Electrical and Electronic Components

*Click to view similar products for [Time Delay & Timing Relays](#) category:*

*Click to view products by [Altech](#) manufacturer:*

Other Similar products are found below :

[7012GD](#) [7012L10BN](#) [7012L10DY1N](#) [7012L10FN](#) [7012L10HN](#) [7012L26K](#) [7012L8AI2LLSN](#) [7012L8BN](#) [7012L8KN](#) [7012OBILM](#)  
[7012OIT](#) [7012PALL](#) [7012PDM](#) [7012PFX](#) [7022L10DN](#) [7022L8BN](#) [7022L8EN](#) [7022L8HN](#) [7022X3D](#) [7024NB](#) [7024SCT](#) [88256455](#) [H3BG-](#)  
[N8H](#) [AC110V](#) [H3CRF8AC2448DC1248](#) [1423151-3](#) [1423154-8](#) [1423462-7](#) [1423618-6](#) [1423151-5](#) [1423156-7](#) [1423618-4](#) [2112AH1SDC947](#)  
[2122DH1NJC467](#) [2122DH1PE](#) [2-1617805-2](#) [2-1617805-6](#) [K61C-08](#) [286XCXC-300-24D](#) [SCBRX022XXACXAC991](#) [SHS10S110A](#)  
[SHS20M220A](#) [1755074-5](#) [SSC12AKA](#) [FAASPRING2](#) [2112DH3NDC50-13](#) [2122DH34NDC629](#) [2-1437479-8](#) [2-1617805-1](#) [2-1617805-3](#) [2-](#)  
[1617805-7](#)