

# TK 3625 – Polystyrene and Polycarbonate – 360x254mm (14.2x10.0in.)

## Standard Features

- **Protection Level:** IP66 (NEMA 4X)
- **Technical:** Smooth or Knockout Sidewalls  
Gray or Tinted Transparent Cover <sup>①</sup>  
Multiple Enclosure Mounting Options
- **Enclosure Material:** Polystyrene or Polycarbonate
- **Gasket Material:** Polyurethane
- **Color:** Light Gray
- **Temperature Range:** Polystyrene  
-40°C to 70°C (-40°F to 158°F)  
Polycarbonate  
-35°C to 120°C (-31°F to 248°F)
- **Accessories:** See section below



## Smooth Sidewalls

### Polystyrene

### Polycarbonate

| Ordering Information      | Height mm (in)   | Cat. No. | Type          | Cover Color | Std. Pk. | Cat. No. | Type          | Cover Color | Std. Pk. |
|---------------------------|------------------|----------|---------------|-------------|----------|----------|---------------|-------------|----------|
| Enclosure - low cover     | 111 mm (4.37 in) | 110-412  | PS 3625-11-o  | gray        | 1        | 120-412  | PC 3625-11-o  | gray        | 1        |
| Enclosure - high cover    | 165 mm (6.50 in) | 110-912  | PS 3625-16-o  | gray        | 1        | 120-912  | PC 3625-16-o  | gray        | 1        |
| Enclosure - top hat cover | 215 mm (8.46 in) | 109-412  | PS 3625-21-o  | gray        | 1        | 121-412  | PC 3625-21-o  | gray        | 1        |
| Enclosure - low cover     | 111 mm (4.37 in) | 111-012  | PS 3625-11-to | trans.      | 1        | 130-012  | PC 3625-11-to | trans.      | 1        |
| Enclosure - high cover    | 165 mm (6.50 in) | 111-512  | PS 3625-16-to | trans.      | 1        | 130-512  | PC 3625-16-to | trans.      | 1        |
| Enclosure - top hat cover | 215 mm (8.46 in) | 112-012  | PS 3625-21-to | trans.      | 1        | 131-012  | PC 3625-21-to | trans.      | 1        |

## Sidewalls with PG Knockouts (metric available)

### Polystyrene

### Polycarbonate

| Ordering Information      | Height mm (in)   | Cat. No. | Type         | Cover Color | Std. Pk. | Cat. No. | Type         | Cover Color | Std. Pk. |
|---------------------------|------------------|----------|--------------|-------------|----------|----------|--------------|-------------|----------|
| Enclosure - low cover     | 111 mm (4.37 in) | 115-412  | PS 3625-11   | gray        | 1        | 125-412  | PC 3625-11   | gray        | 1        |
| Enclosure - high cover    | 165 mm (6.50 in) | 115-912  | PS 3625-16   | gray        | 1        | 125-912  | PC 3625-16   | gray        | 1        |
| Enclosure - top hat cover | 215 mm (8.46 in) | 114-412  | PS 3625-21   | gray        | 1        | 126-412  | PC 3625-21   | gray        | 1        |
| Enclosure - low cover     | 111 mm (4.37 in) | 116-012  | PS 3625-11-t | trans.      | 1        | 135-012  | PC 3625-11-t | trans.      | 1        |
| Enclosure - high cover    | 165 mm (6.50 in) | 116-512  | PS 3625-16-t | trans.      | 1        | 135-512  | PC 3625-16-t | trans.      | 1        |
| Enclosure - top hat cover | 215 mm (8.46 in) | 117-012  | PS 3625-21-t | trans.      | 1        | 136-012  | PC 3625-21-t | trans.      | 1        |

## RK Enclosures with Terminal Blocks

| Ordering Information                  | Height           | Cat. No. | Type   | Cover Color | Std. Pk. |
|---------------------------------------|------------------|----------|--------|-------------|----------|
| Enclosure - 100 pole/10 AWG Terminal  | 111 mm (4.37 in) | 626-404  | RK3625 | gray        | 1        |
| Enclosure - DIN Rail only (2x) (TS35) | 111 mm (4.37 in) | 626-922  | RK3625 | gray        | 1        |

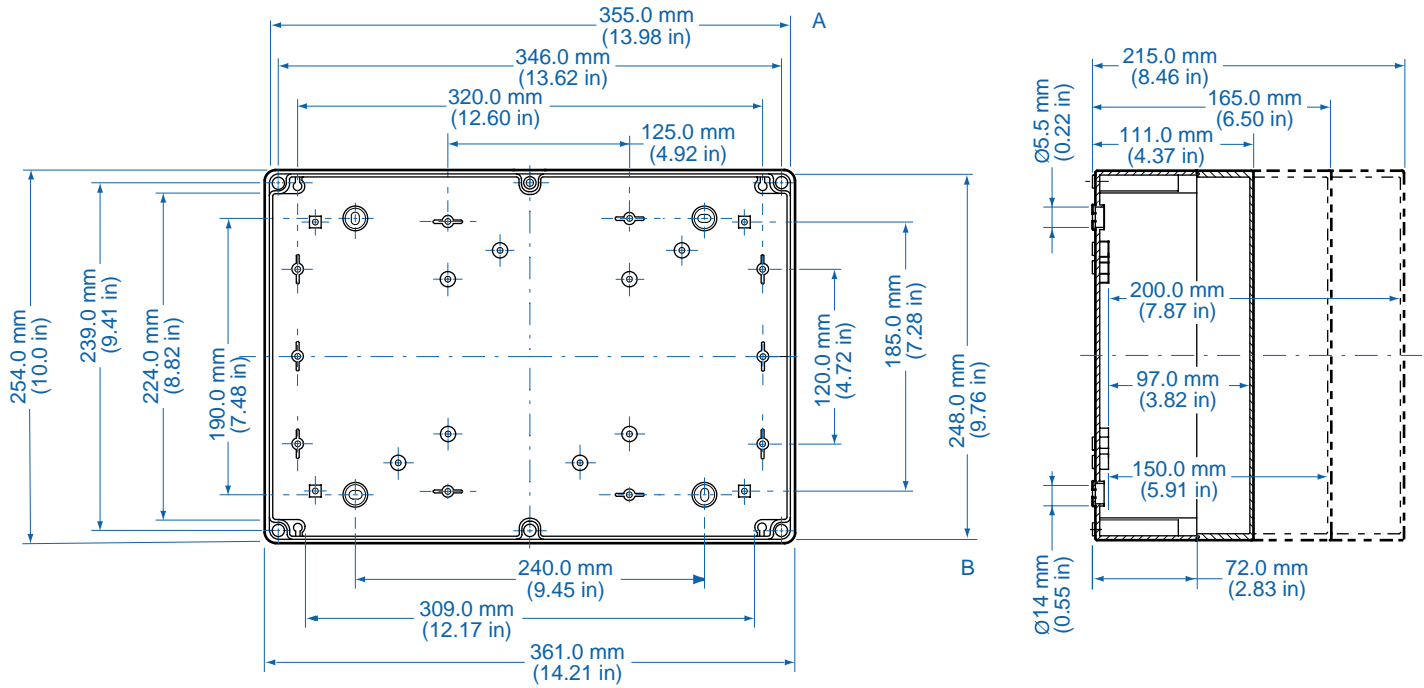
## Accessories

| Ordering Information | Cat. No. | Type       | Std. Pk. |
|----------------------|----------|------------|----------|
| Mounting Plate       | 195-012  | MP3625     | 1        |
| DIN Rail TS35-336mm  | Z-663    | TS 35/ 336 | 1        |
| Hinge Kit Set        | 190-005  | HK2        | 1        |
| Mounting Tab Kit     | 194-001  | MT1        | 1        |

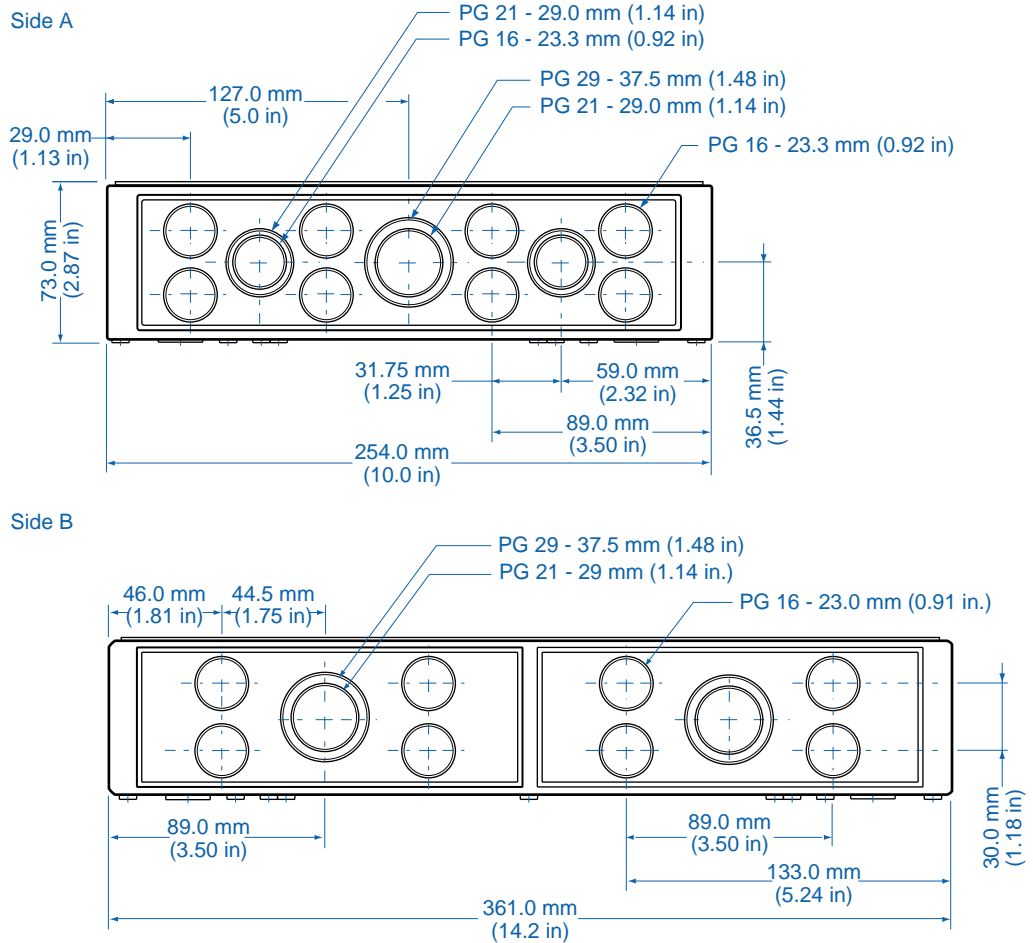
Please refer to pages 106-113 for additional accessories and detailed information.

<sup>①</sup> Clear transparent lids available upon request

Dimensions



Knockout Positions <sup>®</sup>



<sup>®</sup> Metric knockouts available upon request

## X-ON Electronics

Largest Supplier of Electrical and Electronic Components

*Click to view similar products for [Enclosures, Boxes, & Cases](#) category:*

*Click to view products by [Altech](#) manufacturer:*

Other Similar products are found below :

[CR-425 PAINTED](#) [585-R-WH-PK](#) [M-10-PLATED](#) [60221-01](#) [60566-01-000](#) [HPL-9VB BATT DOOR](#) [M-16-LID-PLATED](#) [M18-PLTD](#) [M-21-LID-PLATED](#) [M-21-PLATED](#) [M-23-PLATED](#) [CU-281-MB](#) [6711GSKT](#) [71884-29-028](#) [LH45-100 Black](#) [7200B](#) [72868-510-000](#) [CNS-0000 Black](#) [72883-510-000](#) [CNS-0101 Black](#) [72906-510-000](#) [CNS-0407 Black](#) [73091-510-000](#) [CNM-0000-BLACK Kit](#) [73092-510-000](#) [CNM-0101 Black](#) [73108-510-000](#) [CNL-0303 Black](#) [73395-510-039](#) [CNS-0006 Bone](#) [74257-510-000](#) [CNL-0004](#) [MDC-1183-PLAIN-ALUM](#) [MDC-1183-PTD](#) [MDC-13104-PLAIN-ALUM](#) [MDC-211 - PAINTED IVORY/BEIGE](#) [MDC-321-PTD](#) [MDC-432-PLAIN-ALUM](#) [MDC-973-PTD](#) [76](#) [77153-01-028](#) [FLX6030](#) [83535-01-508](#) [PS-11296-G](#) [PS-11298-B](#) [116-508](#) [120-407](#) [120-412](#) [120-909](#) [120-455](#) [R272-100-000](#) [120-910](#) [R501-001-010](#) [R508-080-000](#) [R508-160-000](#) [R530-120-000](#) [R530-122-000](#) [R530-200-000](#) [R531-160-000](#) [R531-200-000](#) [R582-080-100](#)