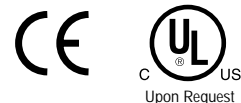


Standard Features

- **Protection Level:** IP66 (NEMA 4X)
- **Technical:** Smooth or Knockout Sidewalls
Gray or Tinted Transparent Cover ^①
Multiple Enclosure Mounting Options
- **Enclosure Material:** Polystyrene or Polycarbonate
- **Gasket Material:** Polyurethane
- **Color:** Light Gray
- **Temperature Range:** Polystyrene
-40°C to 70°C (-40°F to 158°F)
Polycarbonate
-35°C to 120°C (-31°F to 248°F)
- **Accessories:** See section below



Smooth Sidewalls

Polystyrene

Polycarbonate

Ordering Information	Height mm (in)	Cat. No.	Type	Cover Color	Std. Pk.	Cat. No.	Type	Cover Color	Std. Pk.
☐ Enclosure - low cover	57 mm (2.24 in)	110-403	PS 99-6-o	gray	4	120-403	PC 99-6-o	gray	4
☐ Enclosure - high cover	81 mm (3.19 in)	110-903	PS 99-8-o	gray	3	120-903	PC 99-8-o	gray	3
☐ Enclosure - low cover	57 mm (2.24 in)	111-003	PS 99-6-to	trans.	4	130-003	PC 99-6-to	trans.	4
☐ Enclosure - high cover	81 mm (3.19 in)	111-503	PS 99-8-to	trans.	3	130-503	PC 99-8-to	trans.	3

Sidewalls with PG Knockouts (metric available)

Polystyrene

Polycarbonate

Ordering Information	Height mm (in)	Cat. No.	Type	Cover Color	Std. Pk.	Cat. No.	Type	Cover Color	Std. Pk.
☐ Enclosure - low cover	57 mm (2.24 in)	115-403	PS 99-6	gray	4	125-403	PC 99-6	gray	4
☐ Enclosure - high cover	81 mm (3.19 in)	115-903	PS 99-8	gray	3	125-903	PC 99-8	gray	3
☐ Enclosure - low cover	57 mm (2.24 in)	116-003	PS 99-6-t	trans.	4	135-003	PC 99-6-t	trans.	4
☐ Enclosure - high cover	81 mm (3.19 in)	116-503	PS 99-8-t	trans.	3	135-503	PC 99-8-t	trans.	3

RK Enclosures with Terminal Blocks

Ordering Information	Height	Cat. No.	Type	Cover Color	Std. Pk.
Enclosure - 8 pole/12 AWG Terminal	57 mm (2.24 in)	606-404	RK99	gray	4
Enclosure - 10 pole/12 AWG Terminal	57 mm (2.24 in)	607-404	RK99	gray	4
Enclosure - DIN Rail only (TS15)	57 mm (2.24 in)	607-904	RK99	gray	4

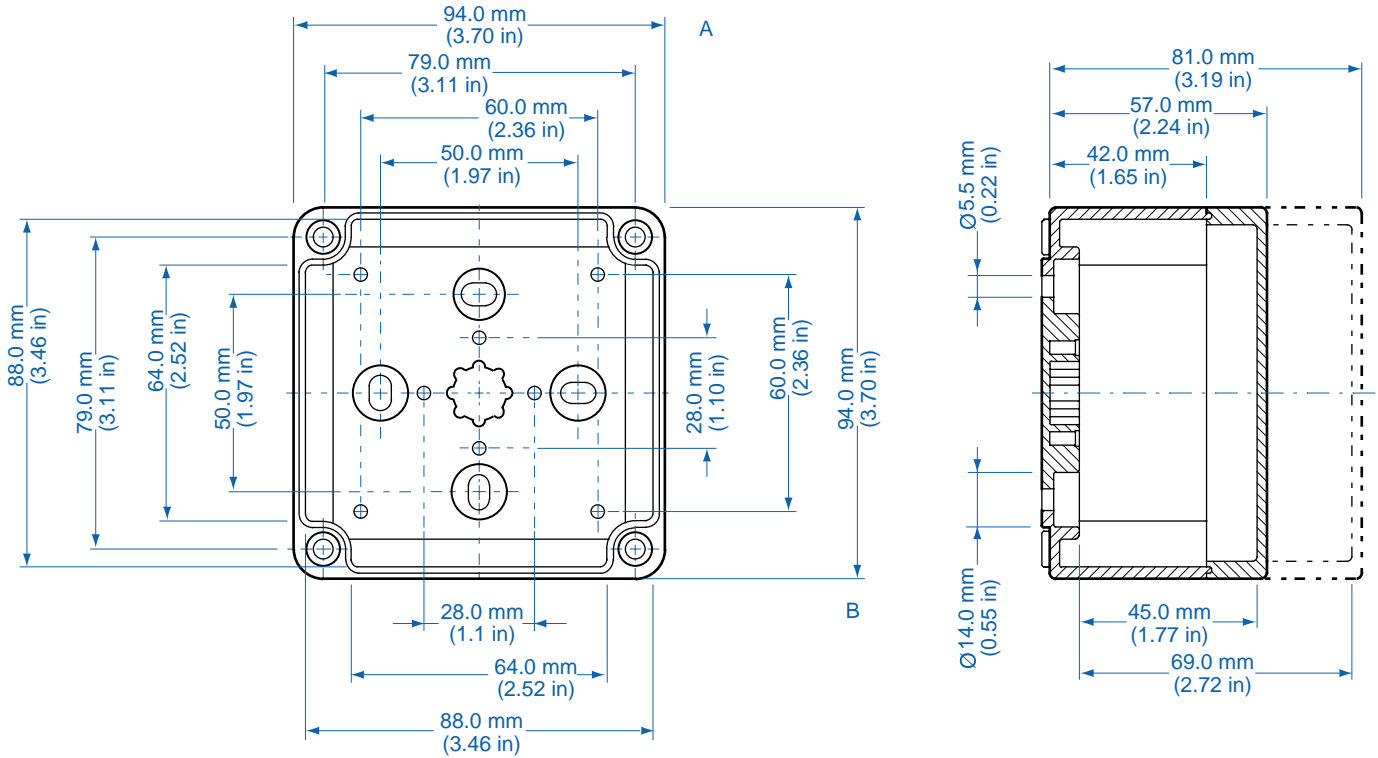
Accessories

Ordering Information	Cat. No.	Type	Std. Pk.
Mounting Plate	195-003	MP99	1
DIN Rail TS15 - 80 mm	Z-630	TS 15/80	1
Hinge Kit Set	190-002	HK1	1
Mounting Tab Kit	194-001	MT1	1

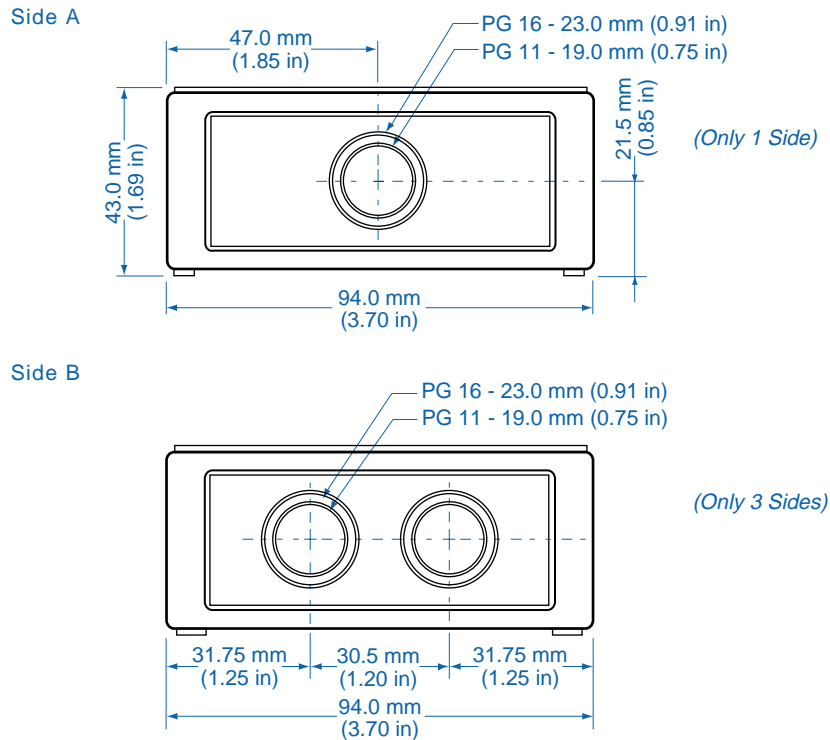
Please refer to pages 106-113 for additional accessories and detailed information.

^① Clear transparent lids available upon request

Dimensions



Knockout Positions [®]



[®] Metric knockouts available upon request

X-ON Electronics

Largest Supplier of Electrical and Electronic Components

Click to view similar products for [Enclosures, Boxes, & Cases](#) category:

Click to view products by [Altech](#) manufacturer:

Other Similar products are found below :

[CR-425 PAINTED](#) [585-R-WH-PK](#) [M-10-PLATED](#) [60221-01](#) [60566-01-000](#) [HPL-9VB BATT DOOR](#) [M-16-LID-PLATED](#) [M18-PLTD](#) [M-21-LID-PLATED](#) [M-21-PLATED](#) [M-23-PLATED](#) [CU-281-MB](#) [6711GSKT](#) [71884-29-028](#) [LH45-100 Black](#) [7200B](#) [72868-510-000](#) [CNS-0000 Black](#) [72883-510-000](#) [CNS-0101 Black](#) [72906-510-000](#) [CNS-0407 Black](#) [73091-510-000](#) [CNM-0000-BLACK Kit](#) [73092-510-000](#) [CNM-0101 Black](#) [73108-510-000](#) [CNL-0303 Black](#) [73395-510-039](#) [CNS-0006 Bone](#) [74257-510-000](#) [CNL-0004](#) [MDC-1183-PLAIN-ALUM](#) [MDC-1183-PTD](#) [MDC-13104-PLAIN-ALUM](#) [MDC-211 - PAINTED IVORY/BEIGE](#) [MDC-321-PTD](#) [MDC-432-PLAIN-ALUM](#) [MDC-973-PTD](#) [76](#) [77153-01-028](#) [FLX6030](#) [83535-01-508](#) [PS-11296-G](#) [PS-11298-B](#) [116-508](#) [120-407](#) [120-412](#) [120-909](#) [120-455](#) [R272-100-000](#) [120-910](#) [R501-001-010](#) [R508-080-000](#) [R508-160-000](#) [R530-120-000](#) [R530-122-000](#) [R530-200-000](#) [R531-160-000](#) [R531-200-000](#) [R582-080-100](#)