



THINKING ELECTRONIC INDUSTRIAL CO., LTD.

HEAD OFFICE: 12F, No.93, Dashun 1st Rd., Zuoying Dist., Kaohsiung, Taiwan
TEL: 886-7-5577660 FAX: 886-7-5570560

MANUFACTURING SITE

- KAOHSIUNG FACTORY 1: No. 51, Kaifa Rd., N.E.P.Z, Kaohsiung City 81170, Taiwan
TEL: 886-7-9616668 FAX: 886-7-9616698
- KAOHSIUNG FACTORY 2: No. 2-2, Xinjian S. Rd., N.E.P.Z., Kaohsiung City 81170, Taiwan
TEL: 886-7-9630001 FAX: 886-7-3635113
- CHANGZHOU FACTORY: No.6 Longmen Rd., Wujin High & New-Tech Industrial
Development Zone, Changzhou, Jiangsu, China 213161
TEL:86-519-86578999 FAX:86-519-86558643
- DONG GUAN FACTORY: No.45, East Rd., Sha-Tao Dist., Chang-An Town,
Dongguan City, Guangdong, China 523863
TEL:86-769-85542016 FAX:86-769-85546890
- YICHANG FACTORY: No. 283 Xiaoting Avenue, Xiaoting Dist., Yichang
City 443007, Hubei, China
TEL:86-717-6510010 FAX:86-717-6511430



SPECIFICATION FOR APPROVAL

CUSTOMER	立創電子
CERTIFIED MODEL/TYPE	KLM3S400
PART NO.	KLM3S400RY(RoHS+HF)
APPLICATION	
CUSTOMER P/N	
ISSUE DATE	Dec.01.2020
REV. NO.	
REV. DATE	

FOR CUSTOMER APPROVAL	CHECKED BY
	<i>Haili Gong</i>
	APPROVED BY
	<i>Huaifang Zhang</i>





REVISED RECORD SHEET

REV. NO	REV. DATE	REVISED CONTENT

INDEX

Page

■ Part Number Code	1
■ Structure and Dimensions	2
■ Electrical Characteristics	2
■ Reliability	3
■ Soldering Recommendation	4
■ Thermal Derating Curve	5
■ RoHS Compliant Declaration	6
■ Warehouse Storage Conditions of Products	6
■ Safety Approvals & Certificates	7
■ Packaging	8



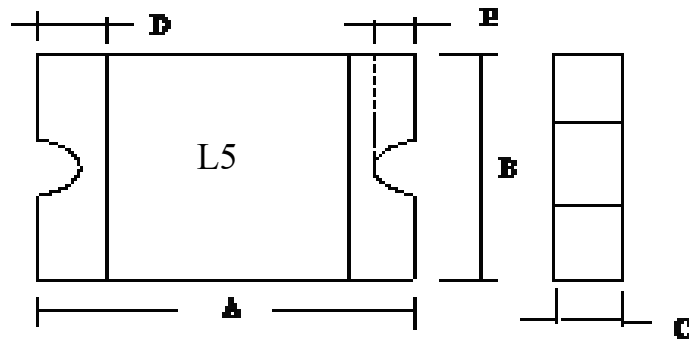
Part Number Code

Example :

K **LM** **3** **S** **400** **R** **Y**
(1) (2) (3) (4) (5) (6) (7)

No.	Item	Digit	Specification
(1)	Product Type	K	Thinking Polymer PTC Resettable Fuse
(2)	Type Series	LM	LoRho SMD series
(3)	Size (EIA)	3	1206
(4)	Structure	S	S type
(5)	I hold	400	4A @ 23°C
(6)	Packaging	R	Taping & Reel
(7)	Optional Suffix	Y	RoHS+HF compliance

Structure and Dimensions



(unit : mm)

Item	A	B	C	D	E
MIN.	3.00	1.50	0.60	0.125	0.08
MAX.	3.50	1.80	1.20	0.75	0.45

Electrical Characteristics (23 °C)

Part No.	V max.	I max.	I hold @ 23°C	I trip @ 23°C	Pd (Max.)
	(V)	(A)	(A)	(A)	(W)
KLM3S400RY	6	50	4.00	8.00	0.80

Part No.	Max.time to trip		Resistance (Ω)		Operating / storage temperature
			Initial (Ri)	Post trip (R1)	
	(A)	(Sec.)	min.	max.	(°C)
KLM3S400RY	20.0	2.00	0.001	0.014	-40 ~ +85

Ihold=Hold current :maximum current device will pass without interruption at 23°C still air unless otherwise specified.

Itrip=Trip current :minimum current that will switch the device from low resistance to high resistance at 23°C still air unless otherwise specified.

Vmax=Maximum voltage device can withstand without damage at rated current.

Imax=Maximum current device can withstand without damage at rated voltage .

Pd=Power dissipated from device while the tripped state at 23°C still air unless otherwise specified.

Rimin=Minimum resistance of device prior to tripping at 23°C .

R1max=Maximum resistance of the device one hour after tripping at 23°C .

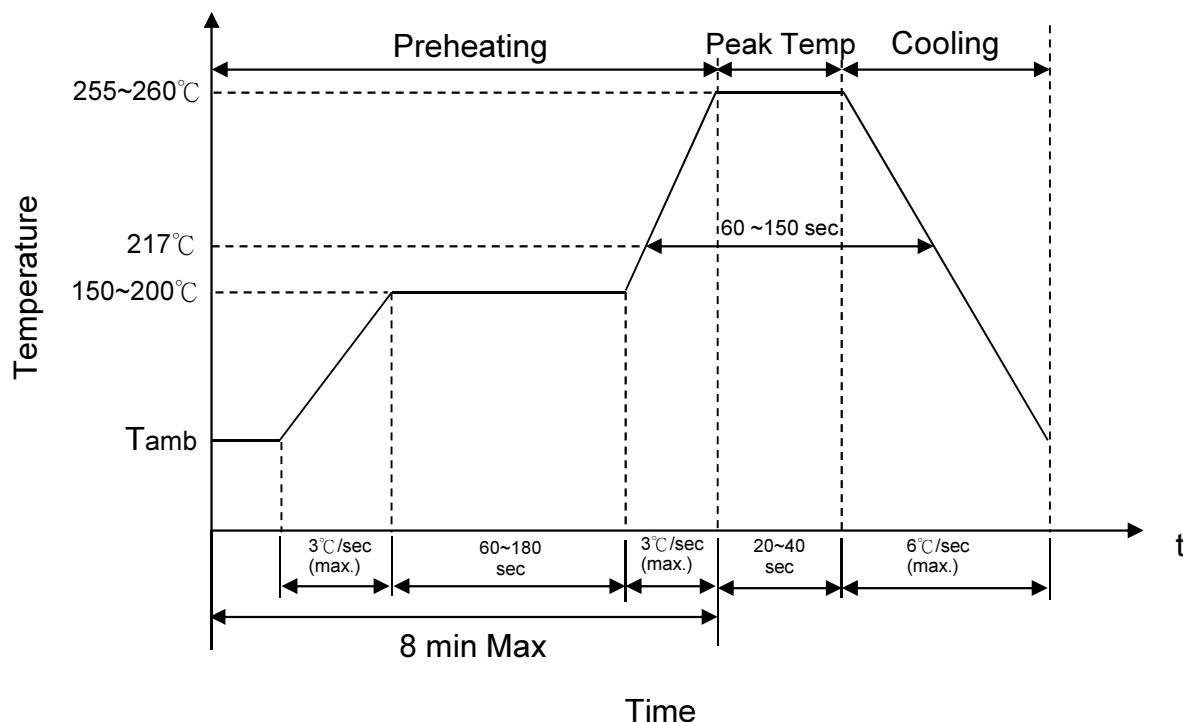
Caution:Operation beyond the specified rating or improper use may result in damage and possible arcing and flame.

Reliability

Item	Standard	Test conditions/Methods	Specifications
Passive Aging	IEC60738-1	85±5°C, 1000±24hrs	±10% typical resistance change
Humidity Aging	Specification Standard	85±5°C, 80~85%RH, 100±5hrs	±15% typical resistance change
Rapid Change of Temperature	IEC60738-1	85±5/-40±5°C, 20 cycles Duration:30min	-30% typical resistance change
Overload Endurance	UL1434	Vmax,120% I _{max} ,50 cycles + Vmax,300% I _{trip} ,6000 cycles	No arcing or burring
Aging	UL1434	Vmax, I _{trip} ≤ I ≤ I _{max} , 1000±24hrs	No arcing or burring
Solderability	IEC60068-2-58	245 ± 5 °C , 3 ± 0.3 sec	At least 95% of terminal electrode is covered by new solder

Soldering Recommendation

■ IR-Reflow Soldering Profile

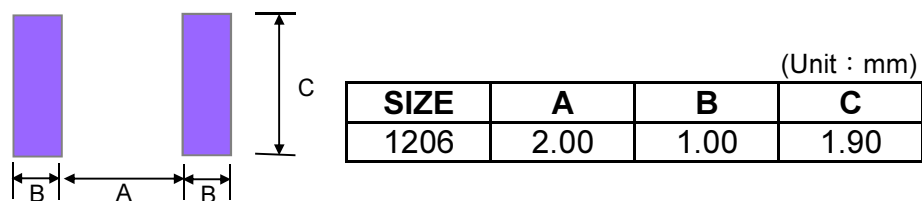


⚠

■ Recommended Reworking Conditions with Soldering Iron

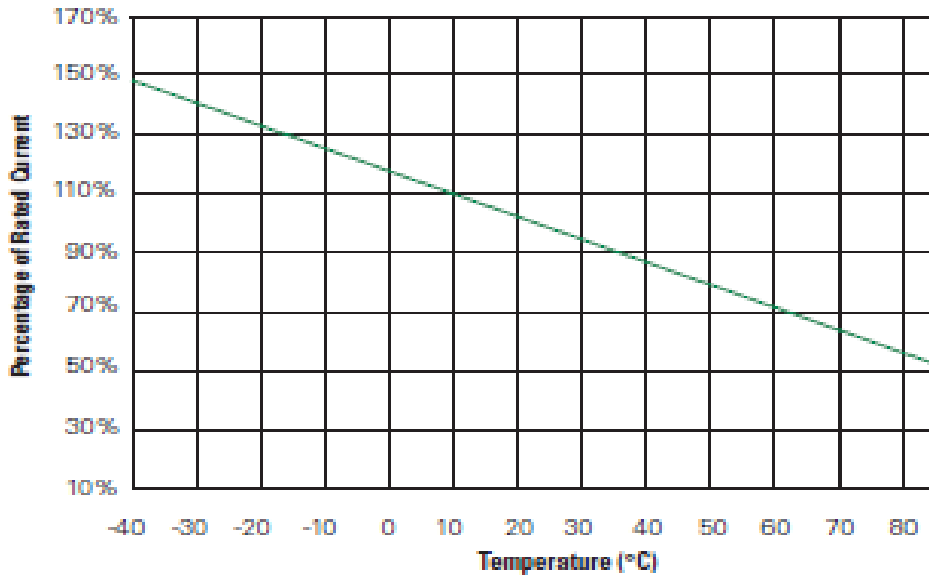
Item	Conditions
Temperature of Soldering Iron-tip	360 °C (max.)
Soldering Time	3 sec (max.)
Diameter of Soldering Iron-tip	φ 3 mm (max.)

■ Recommended Soldering Pad Dimensions (Nominal)



열
Thermal Derating Curve

Thermal derating curve for LoRho SMD1206 series



Model	Ambient Operation Temperature							
	-40°C	-20°C	0°C	23°C	40°C	60°C	70°C	85°C
KLM3S400	5.71	5.26	4.63	4.00	3.30	2.60	2.16	2.05

RoHS Compliant Declaration

We hereby declare that the components delivered to your company are compliant with RoHS directive 2015/863/EU.

Warehouse Storage Conditions of Products

(I) Storage Conditions :

- 1.Storage Temperature : $-10^{\circ}\text{C}\sim+40^{\circ}\text{C}$
- 2.Relative Humidity : $\leq 75\%RH$
- 3.Keep away from corrosive atmosphere and sunlight.

(II) Period of Storage : 1 year

Safety Approvals

(Certified Model/Type : KLM3S400)



* UL 1434 / cUL recognized (File # E138827)



* TUV recognized (File # R50311748)

Certificates

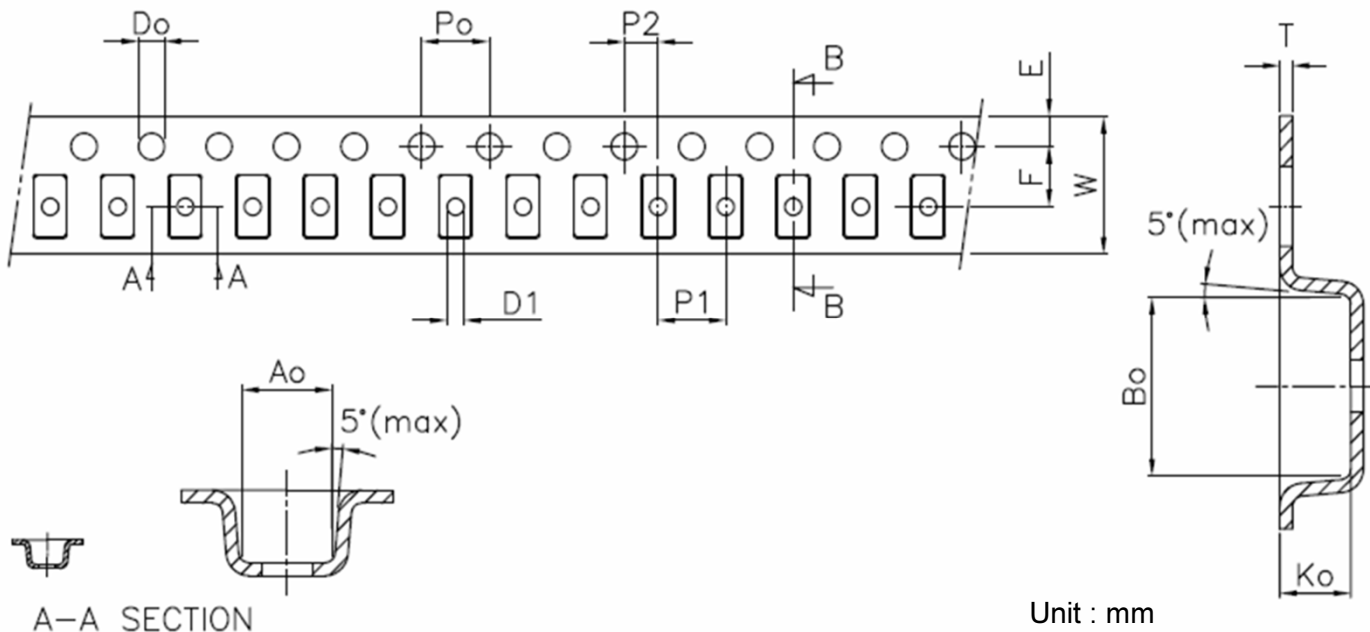
- (1) IATF 16949 certificate
- (2) ISO 9001 certificate

Test Report

- (1) RoHS test report
- (2) Halogen-free test report

Packaging

Taping specification (1206 type)



Index / Type	A_0	B_0	K_0	P_0	P_1	P_2	T	E	F	D_0	D_1	W	$10P_0$
	+0.1/-0	+0.1/-0	± 0.05	± 0.1	± 0.1	± 0.1	± 0.05	± 0.1	± 0.1	± 0.05	min	± 0.3	± 0.2
1206	1.95	3.55	1.40	4.00	4.00	2.00	0.23	1.75	3.50	1.55	1.0	8.00	40.0

Quantity (2500 pcs / reel)

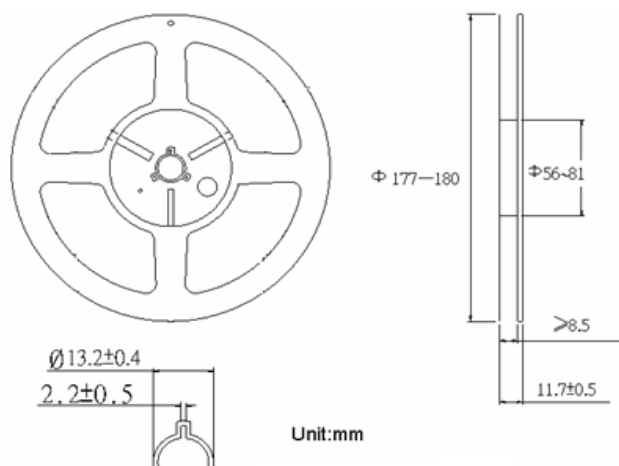


图1

X-ON Electronics

Largest Supplier of Electrical and Electronic Components

Click to view similar products for [Resettable Fuses - PPTC category](#):

Click to view products by [TKS manufacturer](#):

Other Similar products are found below :

[RF0077-000](#) [RF2534-000](#) [RF3256-000](#) [RF3281-000](#) [RF3301-000](#) [RF3344-000](#) [RF3382-000](#) [SMD125-2](#) [RF2171-000](#) [RF2531-000](#) [RF2873-000](#) [RF3060-000](#) [TR600-150Q-B-0.5-0.130](#) [RXE090](#) [5E4795/04-1502](#) [TRF250-080T-B-1.0-0.125](#) [SMD100-2](#) [NIS5452MT1TXG](#) [NIS5431MT1TXG](#) [SMD250-2](#) [0ZCM0001FF2G](#) [0ZCM0003FF2G](#) [0ZCM0004FF2G](#) [BK60-017-DZ-E0.6](#) [F95456-000](#) [LVR100S](#) [RS30-090](#) [RS30-600](#) [RS30-700](#) [RS30-800](#) [RS30-900](#) [RS60RB-005](#) [RS60RB-010](#) [RS60RB-020](#) [RS60RB-025](#) [RS60RB-050](#) [RS60RB-075](#) [RS60RB-160](#) [SMD1206-300C-12V](#) [KRL1200050SBY](#) [SB250-145](#) [SB250-030](#) [SB250-040](#) [SB250-200](#) [SB250-600](#) [SMD0805-005-24V](#) [SMD0805-050-16V](#) [SMD1210-005-60V](#) [SMD0805-005](#) [R60-375](#)