

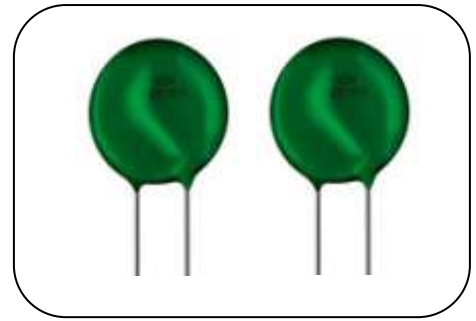
负温度系数热敏电阻器：SCK 系列



突波电流抑制用功率型热敏电阻器

■ 特点

1. 满足RoHS和无卤的要求
2. 本体尺寸：Φ5mm~ Φ30mm
3. 径向引线树脂封装
4. 高额定功率
5. 宽阻值范围
6. 低成本
7. 工作温度范围
Φ5mm：-40℃~+150℃
Φ8~Φ10mm：-40℃~+170℃
Φ13mm~Φ30mm：-40℃~+200℃
8. 安规认证：UL / cUL / TUV / CSA / CQC



■ 用途

1. 开关型电源供应器
2. 电子马达
3. 变压器
4. 适配器
5. 放映机
6. 卤素灯
7. LED 驱动电路

■ 编码规则

● Φ5mm~ Φ15mm

| | | | | | | | | | | | | | | | |
|------|-------------------------|------|-------|----|---------------------------------|-----|----------------|----|--------------------|----|------|----|-------|----|------------------|
| 1 | 2 | 3 | 4 | 5 | 6 | 7 | 8 | 9 | 10 | 11 | 12 | 13 | 14 | 15 | 16 |
| 产品类型 | | 本体尺寸 | | | 零功率电阻 25℃ (R ₂₅) | | 最大稳态电流 @25℃ | | R ₂₅ 公差 | | 外观 | | 可选后缀 | | |
| SCK | 兴勤 NTC 热敏电阻 SCK系列 | 05 | Φ5mm | 08 | Φ8mm | 0R5 | 0.5Ω | X3 | 0.3A | L | ±15% | S | 直脚 | Y | 满足RoHS & 无卤要求 |
| | | 10 | Φ10mm | 13 | Φ13mm | 2R5 | 2.5Ω | 2X | 2.5A | M | ±20% | F | Y 型引脚 | | |
| | | 15 | Φ15mm | | | 08 | 8Ω | 8 | 8A | N | ±25% | T | L 型引脚 | | |
| | | | | | | 20 | 20Ω | 10 | 10A | | | | | | |
| | | | | | | 120 | 120Ω | | | | | | | | |

● Φ20mm~ Φ30mm

| | | | | | | | | | | | | | | |
|------|-------------------------|------|-------|---------------------------------|---|--------------------|---|-------|----|----|----|---------------------------------------------|----|----|
| 1 | 2 | 3 | 4 | 5 | 6 | 7 | 8 | 9 | 10 | 11 | 12 | 13 | 14 | 15 |
| 产品类型 | | 本体尺寸 | | 零功率电阻 25℃ (R ₂₅) | | R ₂₅ 公差 | | 外观 | | 包装 | | 可选后缀 | | |
| SCK | 兴勤 NTC 热敏电阻 SCK系列 | 20 | Φ20mm | R ₂₅ < 10Ω | L | ±15% | S | 直脚 | B | 散装 | Y | 满足 RoHS & 无卤要求 (适用于 SCK05~SCK20 系列) | | |
| | | 25 | Φ25mm | 0R7:0.7Ω | M | ±20% | F | Y 型引脚 | | | H | 满足RoHS & 无卤要求 (只适用于 SCK25 和 SCK30 系列) | | |
| | | 30 | Φ30mm | 2R5:2.5Ω | N | ±25% | T | L 型引脚 | | | | | | |
| | | | | R ₂₅ ≥ 10Ω | | | | | | | | | | |
| | | | | 100:10Ω | | | | | | | | | | |
| | | | | 470:47Ω | | | | | | | | | | |
| | | | | 471:470Ω | | | | | | | | | | |

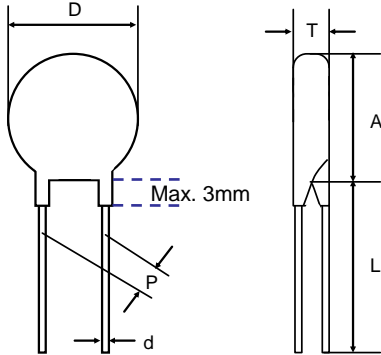
负温度系数热敏电阻器：SCK 系列



突波电流抑制用功率型热敏电阻器

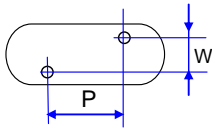
■ 结构与尺寸

S 型 (直脚)

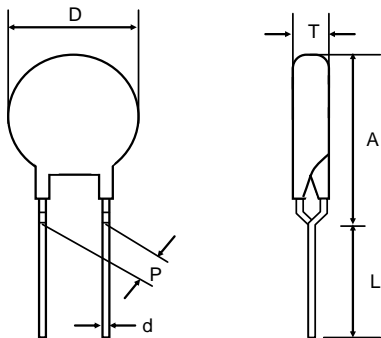


(单位：mm)

| 系列 | Dmax. | P. | d | Amax. | Lmin. | Tmax. | W |
|-------|-----------|---------|----------|-------|-------|---------|---------|
| SCK05 | 4.5~6.5 | 4±0.5 | 0.8±0.02 | 6.5 | 31 | 2.0~5.0 | 1.9±0.2 |
| SCK08 | 6.0~9.5 | 5±0.5 | 0.8±0.02 | 9.5 | 31 | 2.5~5.0 | 2.1±0.3 |
| SCK10 | 9.0~11.5 | 5±0.5 | 0.8±0.02 | 11.5 | 31 | 2.5~5.0 | 2.1±0.3 |
| SCK13 | 11.5~14.5 | 7.5±0.5 | 0.8±0.02 | 14.5 | 30 | 2.5~6.0 | 2.3±0.3 |
| SCK15 | 13.0~16.5 | 7.5±0.5 | 1.0±0.02 | 16.5 | 29 | 3.0~6.0 | 2.5±0.3 |
| SCK20 | 18.0~21.5 | 7.5±0.5 | 1.0±0.02 | 21.5 | 26 | 3.5~6.0 | 2.6±0.3 |
| SCK25 | 23.0~29.0 | 7.5±1 | 1.0±0.02 | 29.0 | 25 | 4.0~6.0 | 3.1±0.5 |
| SCK30 | 30.0~36.0 | 7.5±1 | 1.0±0.02 | 36.0 | 23 | 4.0~6.0 | 3.1±0.5 |



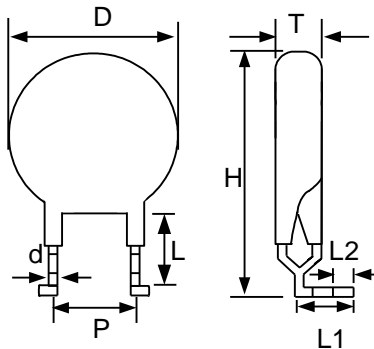
F 型 (Y 型引脚)



(单位：mm)

| 系列 | Dmax. | P | d | Amax. | Lmin. | Tmax. |
|-------|-----------|---------|----------|-------|-------|---------|
| SCK05 | 4.5~6.5 | 4±0.5 | 0.8±0.02 | 11.0 | 29 | 2.0~5.0 |
| SCK08 | 6.0~9.5 | 5±0.5 | 0.8±0.02 | 13.0 | 29 | 2.5~5.0 |
| SCK10 | 9.0~11.5 | 5±0.5 | 0.8±0.02 | 15.0 | 29 | 2.5~5.0 |
| SCK13 | 11.5~14.5 | 7.5±0.5 | 0.8±0.02 | 17.5 | 27 | 2.5~6.0 |
| SCK15 | 13.0~16.5 | 7.5±0.5 | 1±0.02 | 19.0 | 26 | 3.0~6.0 |
| SCK20 | 18.0~21.5 | 7.5±0.5 | 1±0.02 | 24.5 | 25 | 3.5~6.0 |
| SCK25 | 23.0~29.0 | 7.5±1 | 1±0.02 | 35.0 | 22 | 4.0~6.0 |
| SCK30 | 30.0~36.0 | 7.5±1 | 1±0.02 | 42.0 | 22 | 4.0~6.0 |

T 型 (L 型引脚)



(单位：mm)

| 系列 | Dmax. | P | d | Tmax. | L | Hmax. | L1 | L2 |
|-------|-----------|---------|----------|---------|---------|-------|---------|---------|
| SCK08 | 6.0~9.5 | 5±0.5 | 0.8±0.02 | 2.5~5.0 | 5.0±0.5 | 15 | 7.8±1.0 | 3.5±0.5 |
| SCK10 | 9.0~11.5 | 5±0.5 | 0.8±0.02 | 2.5~5.0 | 5.0±0.5 | 17 | 7.8±1.0 | 3.5±0.5 |
| SCK13 | 11.5~14.5 | 7.5±0.5 | 0.8±0.02 | 2.5~6.0 | 5.0±0.5 | 19 | 7.8±1.0 | 3.5±0.5 |
| SCK15 | 13.0~16.5 | 7.5±0.5 | 1.0±0.02 | 3.0~6.0 | 4.5±0.5 | 21 | 9.0±1.0 | 3.5±0.5 |
| SCK20 | 18.0~21.5 | 7.5±0.5 | 1.0±0.02 | 3.5~6.0 | 4.5±0.5 | 26 | 9.0±1.0 | 3.5±0.5 |

负温度系数热敏电阻器：SCK 系列



突波电流抑制用功率型热敏电阻器

■ 电气特性

| 型号 | 零功率电阻 @25°C | 最大 稳态电流 @25°C | 最大稳态 电流下的 残余电阻 @25°C | 建议电容值 @240Vac | 最大 额定功率 @25°C | 耗散系数 | 热时常数 | 工作 温度范围 |
|-------------|---------------------|----------------------|-------------------------------|----------------------|----------------------|----------|----------|-------------------------------------|
| | R ₂₅ (Ω) | I _{max} (A) | R _{Imax} (Ω) | C _{th} (μF) | P _{max} (W) | δ(mW/°C) | τ (Sec.) | T _L ~T _U (°C) |
| SCK05052□ | 5 | 2 | 0.429 | 100 | 1.8 | 約 15 | 約 17 | -40 ~ +150 |
| SCK05081□ | 8 | 1 | 1.089 | 68 | | | | |
| SCK05101□ | 10 | 1 | 1.126 | 100 | | | | |
| SCK05121□ | 12 | 1 | 1.184 | 68 | | | | |
| SCK0520X3□ | 20 | 0.3 | 5.560 | 100 | | | | |
| SCK08042□ | 4 | 2 | 0.441 | 220 | 2.3 | 約 16 | 約 38 | -40 ~ +170 |
| SCK084R72□ | 4.7 | 2 | 0.445 | 220 | | | | |
| SCK08053□ | 5 | 3 | 0.261 | 220 | | | | |
| SCK08063□ | 6 | 3 | 0.283 | 220 | | | | |
| SCK08073□ | 7 | 3 | 0.287 | 220 | | | | |
| SCK08082□ | 8 | 2 | 0.520 | 220 | | | | |
| SCK08102□ | 10 | 2 | 0.542 | 220 | | | | |
| SCK08152□ | 15 | 2 | 0.548 | 100 | | | | |
| SCK08201□ | 20 | 1 | 1.544 | 100 | | | | |
| SCK0830X□ | 30 | 0.5 | 4.094 | 100 | | | | |
| SCK10015□ | 1 | 5 | 0.091 | 470 | | | | |
| SCK101R35□ | 1.3 | 5 | 0.095 | 330 | | | | |
| SCK101R55□ | 1.5 | 5 | 0.101 | 330 | | | | |
| SCK102R55A□ | 2.5 | 5 | 0.120 | 470 | | | | |
| SCK10035□ | 3 | 5 | 0.127 | 560 | | | | |
| SCK10044□ | 4 | 4 | 0.161 | 560 | | | | |
| SCK10054□ | 5 | 4 | 0.180 | 470 | | | | |
| SCK106R83□ | 6.8 | 3 | 0.270 | 330 | | | | |
| SCK10083□ | 8 | 3 | 0.278 | 330 | | | | |
| SCK10103□ | 10 | 3 | 0.297 | 330 | | | | |
| SCK10123□ | 12 | 3 | 0.301 | 470 | | | | |
| SCK10133□ | 13 | 3 | 0.356 | 330 | | | | |
| SCK10152X□ | 15 | 2.5 | 0.442 | 330 | | | | |
| SCK10162X□ | 16 | 2.5 | 0.471 | 330 | | | | |
| SCK10202□ | 20 | 2 | 0.646 | 330 | | | | |
| SCK10222□ | 22 | 2 | 0.659 | 220 | | | | |
| SCK10252□ | 25 | 2 | 0.674 | 330 | | | | |
| SCK10302□ | 30 | 2 | 0.700 | 330 | | | | |
| SCK10472□ | 47 | 2 | 0.720 | 330 | | | | |
| SCK10502□ | 50 | 2 | 0.813 | 330 | | | | |
| SCK10801□ | 80 | 1 | 2.236 | 220 | | | | |
| SCK101001□ | 100 | 1 | 2.318 | 200 | | | | |
| SCK101201□ | 120 | 1 | 2.406 | 200 | | | | |
| | | | | | 2.4 | 約 17 | 約 43 | -40 ~ +170 |

备注 1：□ = R₂₅ 公差

备注 2：如有特殊要求请与我们的销售人员联系

负温度系数热敏电阻器：SCK 系列



突波电流抑制用功率型热敏电阻器

■ 电气特性

| 型号 | 零功率电阻 @25°C | 最大 稳态电流 @25°C | 最大稳态 电流下的 残余电阻 @25°C | 建议电容值 @240Vac | 最大 额定功率 @25°C | 耗散系数 | 热时常数 | 工作 温度范围 |
|-------------|---------------------|----------------------|-------------------------------|----------------------|----------------------|----------|----------|-------------------------------------|
| | R ₂₅ (Ω) | I _{max} (A) | R _{Imax} (Ω) | C _{th} (μF) | P _{max} (W) | δ(mW/°C) | τ (Sec.) | T _L ~T _U (°C) |
| SCK13013□ | 1 | 3 | 0.174 | 560 | 3.1 | 約 18 | 約 66 | -40 ~ +200 |
| SCK131R37□ | 1.3 | 7 | 0.070 | 470 | | | | |
| SCK132R56□ | 2.5 | 6 | 0.094 | 560 | | | | |
| SCK13045□ | 4 | 5 | 0.132 | 560 | | | | |
| SCK134R74□ | 4.7 | 4 | 0.168 | 560 | | | | |
| SCK13055□ | 5 | 5 | 0.166 | 560 | | | | |
| SCK13074□ | 7 | 4 | 0.184 | 470 | | | | |
| SCK13084□ | 8 | 4 | 0.206 | 470 | | | | |
| SCK13104□ | 10 | 4 | 0.217 | 470 | | | | |
| SCK13124□ | 12 | 4 | 0.230 | 560 | | | | |
| SCK13153□ | 15 | 3 | 0.343 | 560 | | | | |
| SCK13163□ | 16 | 3 | 0.348 | 560 | | | | |
| SCK13183□ | 18 | 3 | 0.365 | 560 | | | | |
| SCK13203□ | 20 | 3 | 0.410 | 470 | | | | |
| SCK150R78A□ | 0.7 | 8 | 0.051 | 680 | 3.6 | 約 21 | 約 75 | -40 ~ +200 |
| SCK15018□ | 1 | 8 | 0.054 | 680 | | | | |
| SCK151R38□ | 1.3 | 8 | 0.064 | 680 | | | | |
| SCK151R58□ | 1.5 | 8 | 0.068 | 800 | | | | |
| SCK15028□ | 2 | 8 | 0.078 | 680 | | | | |
| SCK152R58□ | 2.5 | 8 | 0.086 | 680 | | | | |
| SCK15037□ | 3 | 7 | 0.091 | 820 | | | | |
| SCK15046□ | 4 | 6 | 0.117 | 800 | | | | |
| SCK15056□ | 5 | 6 | 0.121 | 820 | | | | |
| SCK15065□ | 6 | 5 | 0.159 | 680 | | | | |
| SCK15075□ | 7 | 5 | 0.161 | 820 | | | | |
| SCK15085□ | 8 | 5 | 0.165 | 680 | | | | |
| SCK15105□ | 10 | 5 | 0.178 | 820 | | | | |
| SCK15125□ | 12 | 5 | 0.185 | 680 | | | | |
| SCK15154□ | 15 | 4 | 0.261 | 820 | | | | |
| SCK15164□ | 16 | 4 | 0.265 | 820 | | | | |
| SCK15184□ | 18 | 4 | 0.273 | 680 | | | | |
| SCK15204□ | 20 | 4 | 0.283 | 820 | | | | |
| SCK15224□ | 22 | 4 | 0.308 | 560 | | | | |
| SCK15253□ | 25 | 3 | 0.425 | 680 | | | | |
| SCK15303□ | 30 | 3 | 0.461 | 680 | | | | |
| SCK15333□ | 33 | 3 | 0.484 | 560 | | | | |
| SCK15403□ | 40 | 3 | 0.511 | 680 | | | | |
| SCK15473□ | 47 | 3 | 0.517 | 680 | | | | |
| SCK15802X□ | 80 | 2.5 | 0.693 | 560 | | | | |
| SCK151202□ | 120 | 2 | 1.010 | 560 | | | | |

备注 1：□ = R₂₅ 公差

备注 2：如有特殊要求请与我们的销售人员联系

负温度系数热敏电阻器：SCK 系列



突波电流抑制用功率型热敏电阻器

■ 电气特性

| 型号 | 零功率电阻 @25°C | 最大 稳态电流 @25°C | 最大稳态 电流下的 残余电阻 @25°C | 建议电容值 @240Vac | 最大 额定功率 @25°C | 耗散系数 | 热时常数 | 工作 温度范围 |
|-----------|---------------------|----------------------|----------------------------------|----------------------|----------------------|----------|----------|-------------------------------------|
| | R ₂₅ (Ω) | I _{max} (A) | R _{I_{max}} (Ω) | C _{th} (μF) | P _{max} (W) | δ(mW/°C) | τ (Sec.) | T _L ~T _U (°C) |
| SCK200R7□ | 0.7 | 15 | 0.035 | 1000 | 4.9 | 約 28 | 約 113 | -40 ~ +200 |
| SCK201R0□ | 1 | 13 | 0.034 | | | | | |
| SCK201R5□ | 1.5 | 10.5 | 0.041 | | | | | |
| SCK202R0□ | 2 | 10 | 0.062 | | | | | |
| SCK202R5□ | 2.5 | 9 | 0.083 | | | | | |
| SCK203R0□ | 3 | 8.5 | 0.078 | | | | | |
| SCK204R0□ | 4 | 8 | 0.080 | | | | | |
| SCK204R7□ | 4.7 | 7.5 | 0.114 | | | | | |
| SCK205R0□ | 5 | 7.5 | 0.118 | | | | | |
| SCK206R0□ | 6 | 7 | 0.120 | | | | | |
| SCK206R8□ | 6.8 | 6.5 | 0.130 | | | | | |
| SCK207R0□ | 7 | 6.5 | 0.132 | | | | | |
| SCK208R0□ | 8 | 6 | 0.161 | | | | | |
| SCK20100□ | 10 | 5.5 | 0.196 | | | | | |
| SCK20120□ | 12 | 5 | 0.197 | | | | | |
| SCK20130□ | 13 | 5 | 0.213 | | | | | |
| SCK20150□ | 15 | 4.5 | 0.258 | | | | | |
| SCK20160□ | 16 | 4.5 | 0.276 | | | | | |
| SCK20180□ | 18 | 4 | 0.280 | | | | | |
| SCK20200□ | 20 | 4 | 0.306 | | | | | |
| SCK251R0□ | 1 | 20 | 0.020 | 1200 | 7.0 | 約 30 | 約 130 | -40 ~ +200 |
| SCK251R5□ | 1.5 | 18.5 | 0.023 | | | | | |
| SCK252R0□ | 2 | 18 | 0.025 | | | | | |
| SCK252R5□ | 2.5 | 15 | 0.032 | | | | | |
| SCK253R0□ | 3 | 14.5 | 0.042 | | | | | |
| SCK254R0□ | 4 | 14 | 0.044 | | | | | |
| SCK254R7□ | 4.7 | 13 | 0.052 | | | | | |
| SCK255R0□ | 5 | 12 | 0.061 | | | | | |
| SCK256R8□ | 6.8 | 10.5 | 0.082 | | | | | |
| SCK257R0□ | 7 | 10 | 0.092 | | | | | |
| SCK258R0□ | 8 | 9 | 0.115 | | | | | |
| SCK25100□ | 10 | 8 | 0.141 | | | | | |
| SCK25120□ | 12 | 7.5 | 0.164 | | | | | |
| SCK25150□ | 15 | 6.5 | 0.210 | | | | | |
| SCK25180□ | 18 | 5.5 | 0.231 | | | | | |
| SCK25200□ | 20 | 5 | 0.270 | | | | | |

备注 1： □ = R₂₅ 公差

备注 2： 如有特殊要求请与我们的销售人员联系

负温度系数热敏电阻器：SCK 系列



突波电流抑制用功率型热敏电阻器

■ 电气特性

| 型号 | 零功率电阻 @25°C | 最大 稳态电流 @25°C | 最大稳态 电流下的 残余电阻 @25°C | 建议电容值 @240Vac | 最大 额定功率 @25°C | 耗散系数 | 热时常数 | 工作 温度范围 |
|-----------|---------------------|----------------------|-------------------------------|----------------------|----------------------|----------|----------|-------------------------------------|
| | R ₂₅ (Ω) | I _{max} (A) | R _{Imax} (Ω) | C _{th} (μF) | P _{max} (W) | δ(mW/°C) | τ (Sec.) | T _L ~T _U (°C) |
| SCK301R0□ | 1 | 30 | 0.016 | 1500 | 8.0 | 約 40 | 約 190 | -40 ~ +200 |
| SCK301R5□ | 1.5 | 25 | 0.020 | | | | | |
| SCK302R0□ | 2 | 23 | 0.022 | | | | | |
| SCK302R5□ | 2.5 | 18 | 0.030 | | | | | |
| SCK303R0□ | 3 | 17 | 0.035 | | | | | |
| SCK304R0□ | 4 | 16 | 0.048 | | | | | |
| SCK304R7□ | 4.7 | 15 | 0.055 | | | | | |
| SCK305R0□ | 5 | 14 | 0.057 | | | | | |
| SCK306R8□ | 6.8 | 12 | 0.077 | | | | | |
| SCK307R0□ | 7 | 11.5 | 0.084 | | | | | |
| SCK308R0□ | 8 | 10.5 | 0.100 | | | | | |
| SCK30100□ | 10 | 10 | 0.115 | | | | | |
| SCK30120□ | 12 | 9 | 0.142 | | | | | |
| SCK30150□ | 15 | 8 | 0.175 | | | | | |
| SCK30180□ | 18 | 7 | 0.210 | | | | | |
| SCK30200□ | 20 | 6 | 0.233 | | | | | |

备注 1：□ = R₂₅ 公差

备注 2：如有特殊要求请与我们的销售人员联系

负温度系数热敏电阻器：SCK 系列



突波电流抑制用功率型热敏电阻器

■ 安规认证

- UL&cUL 证书号：E138827
- CSA 证书号：97495
- TUV 证书号：R 50050155
- CQC 证书号：CQC05001011984,993,985,942,943,944 , CQC05001011988,989,990,963,964,965

| 本体尺寸 | 认证型号 | 安规认证 | | | | |
|----------|-----------|------|-----|-----|-----|-----|
| | | UL | cUL | CSA | TUV | CQC |
| 5mm | SCK-052 | √ | √ | √ | √ | √ |
| | SCK-081 | √ | √ | | √ | √ |
| | SCK-101 | √ | √ | √ | √ | √ |
| | SCK-121 | √ | √ | | √ | √ |
| | SCK-20X3 | √ | √ | √ | √ | √ |
| 8mm | SCK-042 | √ | √ | √ | √ | √ |
| | SCK-4R72 | √ | √ | √ | √ | √ |
| | SCK-053 | √ | √ | √ | √ | √ |
| | SCK-063 | √ | √ | √ | √ | √ |
| | SCK-073 | √ | √ | | √ | √ |
| | SCK-082 | √ | √ | √ | √ | √ |
| | SCK-102 | √ | √ | √ | √ | √ |
| | SCK-152 | √ | √ | √ | √ | √ |
| | SCK-201 | √ | √ | √ | √ | √ |
| | SCK-30X | √ | √ | √ | √ | √ |
| 10mm | SCK-015 | √ | √ | | √ | √ |
| | SCK-1R35 | √ | √ | | √ | √ |
| | SCK-1R55 | √ | √ | | √ | √ |
| | SCK-2R55A | √ | √ | √ | √ | √ |
| | SCK-035 | √ | √ | √ | √ | √ |
| | SCK-044 | √ | √ | √ | √ | √ |
| | SCK-054 | √ | √ | √ | √ | √ |
| | SCK-6R83 | √ | √ | √ | √ | √ |
| | SCK-083 | √ | √ | √ | √ | √ |
| | SCK-103 | √ | √ | √ | √ | √ |
| | SCK-123 | √ | √ | √ | √ | √ |
| | SCK-133 | √ | √ | √ | √ | √ |
| | SCK-152X | √ | √ | √ | √ | √ |
| | SCK-162X | √ | √ | √ | √ | √ |
| | SCK-202 | √ | √ | √ | √ | √ |
| | SCK-222 | √ | √ | | √ | √ |
| | SCK-252 | √ | √ | √ | √ | √ |
| | SCK-302 | √ | √ | √ | √ | √ |
| | SCK-472 | √ | √ | √ | √ | √ |
| | SCK-502 | √ | √ | √ | √ | √ |
| SCK-801 | √ | √ | √ | √ | √ | |
| SCK-1001 | √ | √ | √ | √ | √ | |
| SCK-1201 | √ | √ | √ | √ | √ | |

| 本体尺寸 | 认证型号 | 安规认证 | | | | |
|---------|-----------|------|-----|-----|-----|-----|
| | | UL | cUL | CSA | TUV | CQC |
| 13mm | SCK-013 | √ | √ | | √ | √ |
| | SCK-1R37 | √ | √ | | √ | √ |
| | SCK-2R56 | √ | √ | √ | √ | √ |
| | SCK-045 | √ | √ | | √ | √ |
| | SCK-4R74 | √ | √ | | √ | √ |
| | SCK-055 | √ | √ | √ | √ | √ |
| | SCK-074 | √ | √ | | √ | √ |
| | SCK-084 | √ | √ | √ | √ | √ |
| | SCK-104 | √ | √ | √ | √ | √ |
| | SCK-124 | √ | √ | √ | √ | √ |
| | SCK-153 | √ | √ | √ | √ | √ |
| | SCK-163 | √ | √ | √ | √ | √ |
| | SCK-183 | √ | √ | √ | √ | √ |
| | SCK-203 | √ | √ | √ | √ | √ |
| | SCK-0R78A | √ | √ | | √ | √ |
| | SCK-018 | √ | √ | | √ | |
| | SCK-1R38 | √ | √ | √ | √ | √ |
| | SCK-1R58 | √ | √ | √ | √ | √ |
| 15mm | SCK-028 | √ | √ | | √ | √ |
| | SCK-2R58 | √ | √ | √ | √ | √ |
| | SCK-037 | √ | √ | √ | √ | √ |
| | SCK-046 | √ | √ | √ | √ | √ |
| | SCK-056 | √ | √ | √ | √ | √ |
| | SCK-065 | √ | √ | √ | √ | √ |
| | SCK-075 | √ | √ | √ | √ | √ |
| | SCK-085 | √ | √ | | √ | √ |
| | SCK-105 | √ | √ | √ | √ | √ |
| | SCK-125 | √ | √ | √ | √ | √ |
| | SCK-154 | √ | √ | √ | √ | √ |
| | SCK-164 | √ | √ | √ | √ | √ |
| | SCK-184 | √ | √ | √ | √ | √ |
| | SCK-204 | √ | √ | √ | √ | √ |
| | SCK-224 | √ | √ | | √ | √ |
| | SCK-253 | √ | √ | √ | √ | √ |
| | SCK-303 | √ | √ | √ | √ | √ |
| | SCK-333 | √ | √ | | √ | √ |
| SCK-403 | √ | √ | √ | √ | √ | |
| SCK-473 | √ | √ | √ | √ | √ | |

负温度系数热敏电阻器：SCK 系列

突波电流抑制用功率型热敏电阻器



| 本体尺寸 | 认证型号 | 安规认证 | | | |
|----------|----------|------|-----|-----|-----|
| | | UL | cUL | TUV | CQC |
| 20mm | SCK200R7 | √ | √ | √ | √ |
| | SCK201R0 | √ | √ | √ | √ |
| | SCK201R5 | √ | √ | √ | √ |
| | SCK202R0 | √ | √ | √ | √ |
| | SCK202R5 | √ | √ | √ | √ |
| | SCK203R0 | √ | √ | √ | √ |
| | SCK204R0 | √ | √ | √ | √ |
| | SCK204R7 | √ | √ | √ | √ |
| | SCK205R0 | √ | √ | √ | √ |
| | SCK206R0 | √ | √ | √ | √ |
| | SCK206R8 | √ | √ | √ | √ |
| | SCK207R0 | √ | √ | √ | √ |
| | SCK208R0 | √ | √ | √ | √ |
| | SCK20100 | √ | √ | √ | √ |
| | SCK20120 | √ | √ | √ | √ |
| | SCK20130 | √ | √ | √ | √ |
| | SCK20150 | √ | √ | √ | √ |
| | SCK20160 | √ | √ | √ | √ |
| | SCK20180 | √ | √ | √ | √ |
| | SCK20200 | √ | √ | √ | √ |
| 25mm | SCK251R0 | √ | √ | √ | √ |
| | SCK251R5 | √ | √ | √ | √ |
| | SCK252R0 | √ | √ | √ | √ |
| | SCK252R5 | √ | √ | √ | √ |
| | SCK253R0 | √ | √ | √ | √ |
| | SCK254R0 | √ | √ | √ | √ |
| | SCK254R7 | √ | √ | √ | √ |
| | SCK255R0 | √ | √ | √ | √ |
| | SCK256R8 | √ | √ | √ | √ |
| | SCK257R0 | √ | √ | √ | √ |
| | SCK258R0 | √ | √ | √ | √ |
| | SCK25100 | √ | √ | √ | √ |
| | SCK25120 | √ | √ | √ | √ |
| | SCK25150 | √ | √ | √ | √ |
| | SCK25180 | √ | √ | √ | √ |
| SCK25200 | √ | √ | √ | √ | |

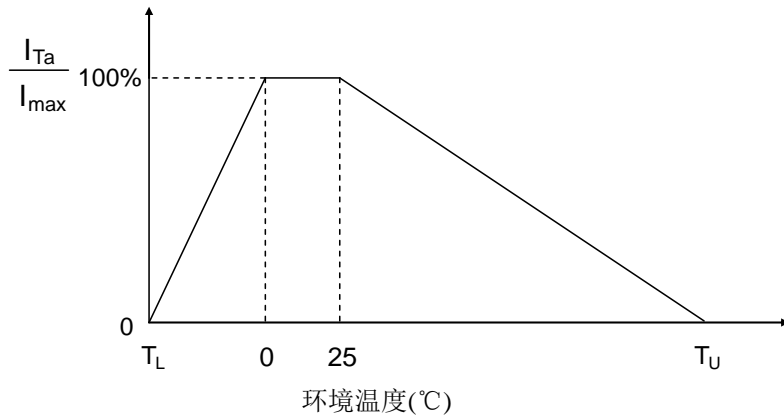
| 本体尺寸 | 认证型号 | 安规认证 | | | |
|------|----------|------|-----|-----|-----|
| | | UL | cUL | TUV | CQC |
| 30mm | SCK301R0 | √ | √ | √ | √ |
| | SCK301R5 | √ | √ | √ | √ |
| | SCK302R0 | √ | √ | √ | √ |
| | SCK302R5 | √ | √ | √ | √ |
| | SCK303R0 | √ | √ | √ | √ |
| | SCK304R0 | √ | √ | √ | √ |
| | SCK304R7 | √ | √ | √ | √ |
| | SCK305R0 | √ | √ | √ | √ |
| | SCK306R8 | √ | √ | √ | √ |
| | SCK307R0 | √ | √ | √ | √ |
| | SCK308R0 | √ | √ | √ | √ |
| | SCK30100 | √ | √ | √ | √ |
| | SCK30120 | √ | √ | √ | √ |
| | SCK30150 | √ | √ | √ | √ |
| | SCK30180 | √ | √ | √ | √ |
| | SCK30200 | √ | √ | √ | √ |

负温度系数热敏电阻器：SCK 系列



突波电流抑制用功率型热敏电阻器

最大电流减额曲线



T_U ：工作温度上限(°C)

T_L ：工作温度下限(°C)

例如：

环境温度(T_a) = 60°C

工作温度上限(T_U) = 200°C

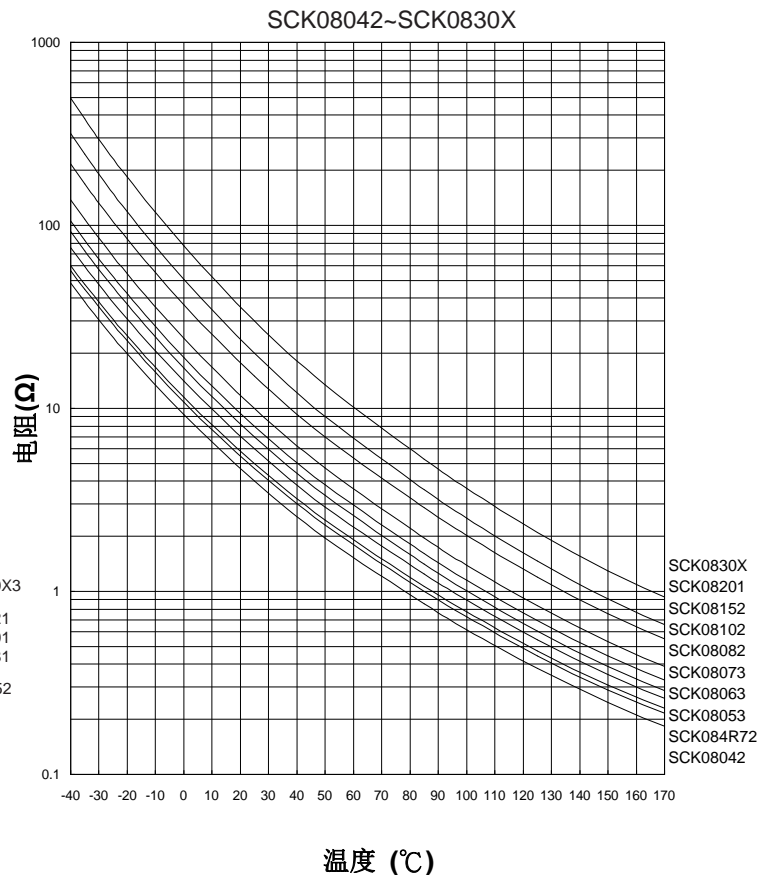
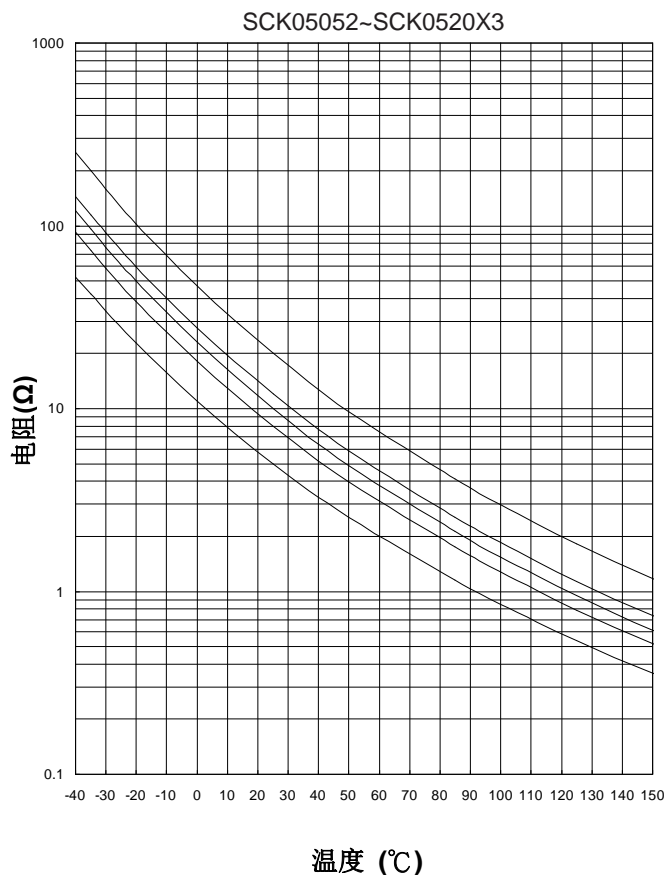
$$I_{Ta} = [1 - (T_a - 25) / (T_U - 25)] \times I_{max} = 80\% I_{max}$$

环境温度(T_a) = -10°C

工作温度下限(T_L) = -40°C

$$I_{Ta} = [1 - (T_a - T_L) / (0 - T_L)] \times I_{max} = 25\% I_{max}$$

电阻-温度特性曲线



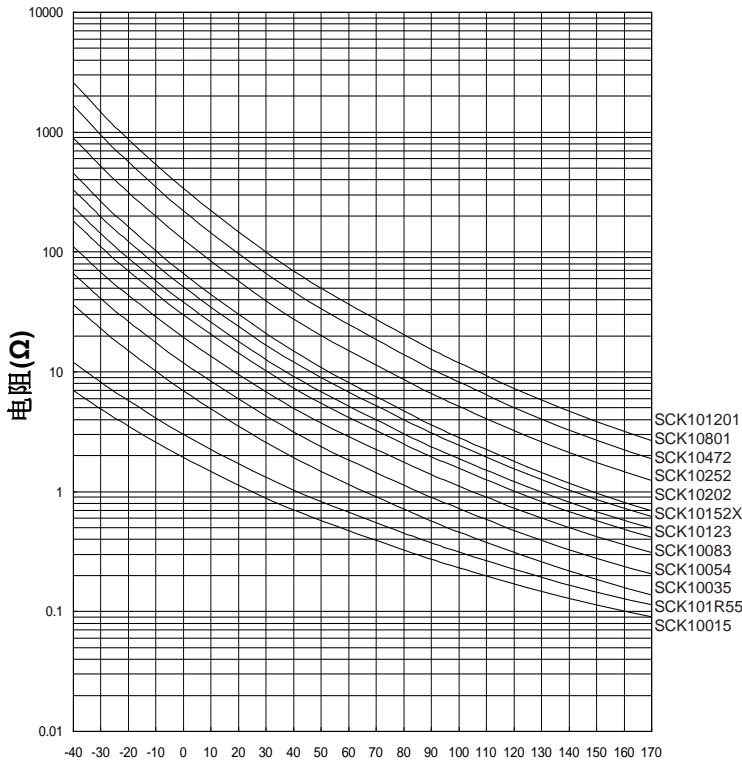
负温度系数热敏电阻器：SCK 系列



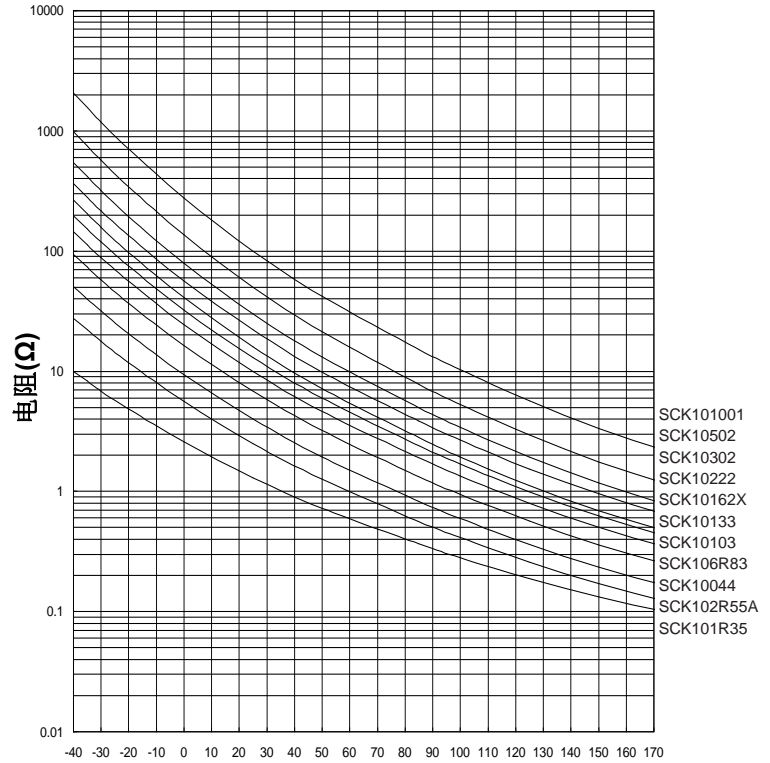
突波电流抑制用功率型热敏电阻器

■ 电阻-温度特性曲线

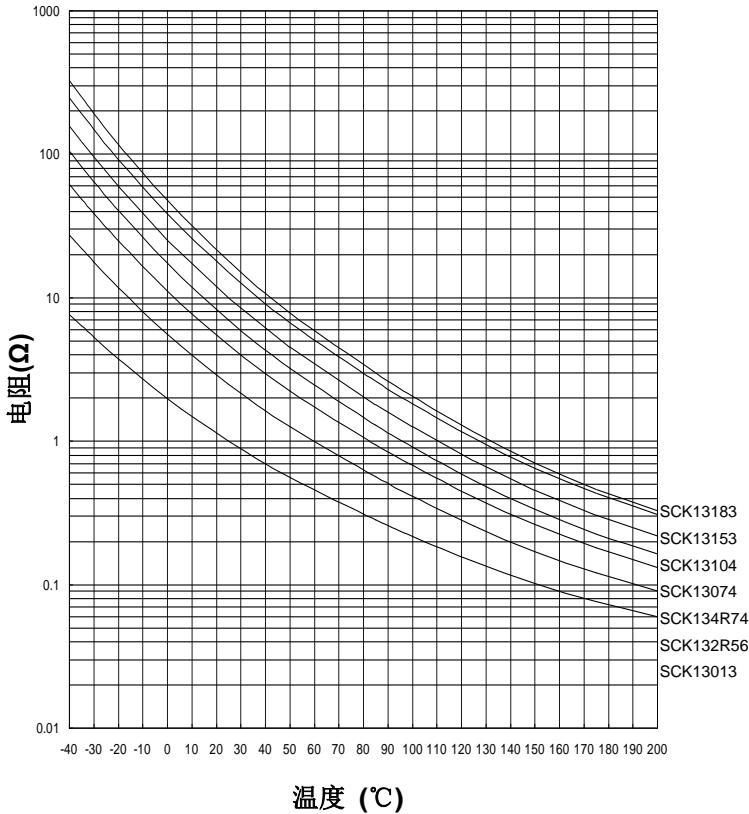
SCK10015~SCK101201



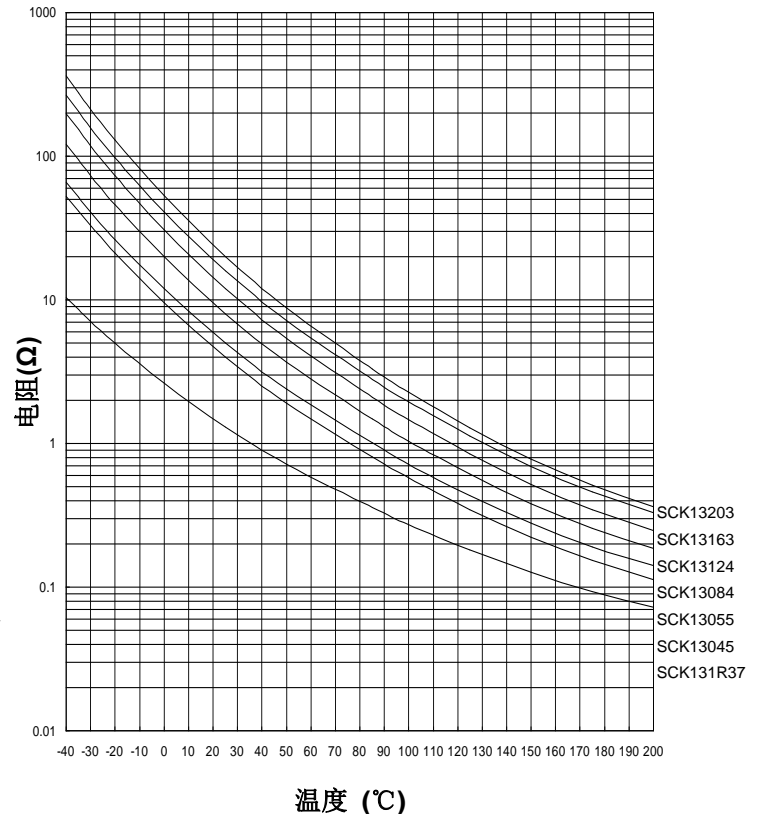
SCK101R35~SCK101001



SCK13013~SCK13183



SCK131R37~SCK13203



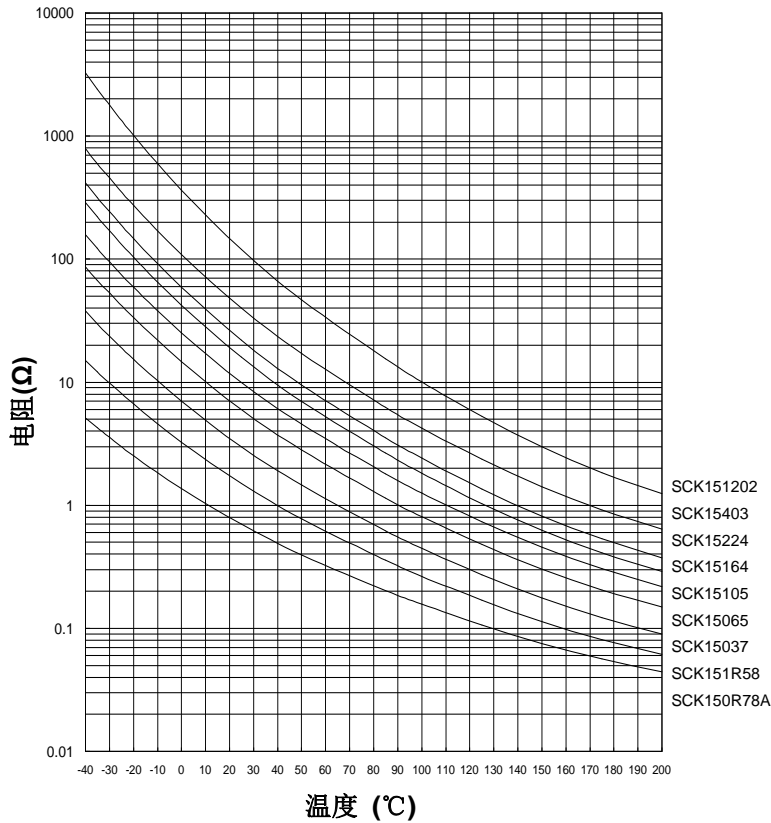
负温度系数热敏电阻器：SCK 系列



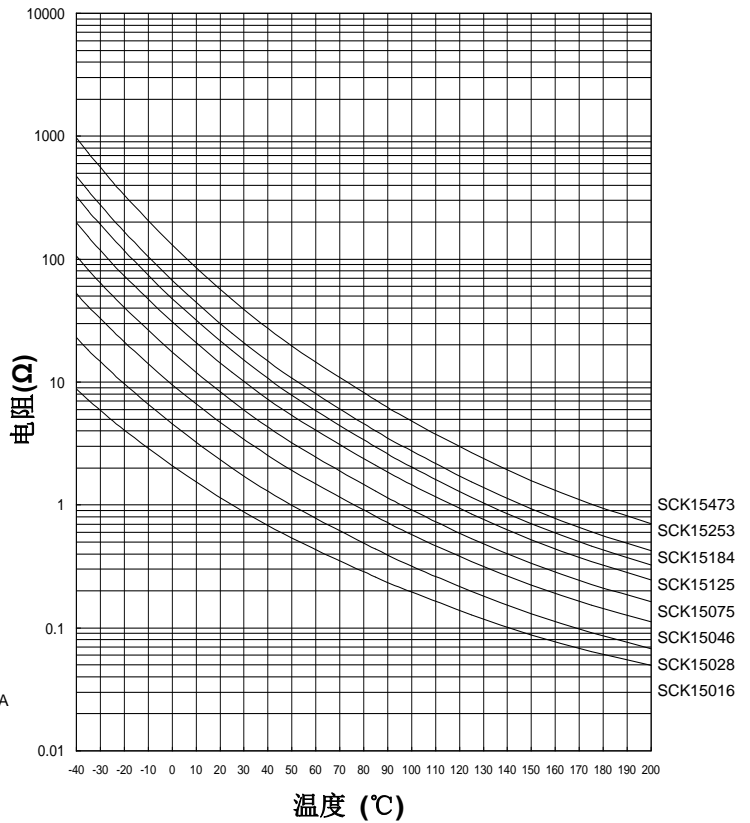
突波电流抑制用功率型热敏电阻器

■ 电阻-温度特性曲线

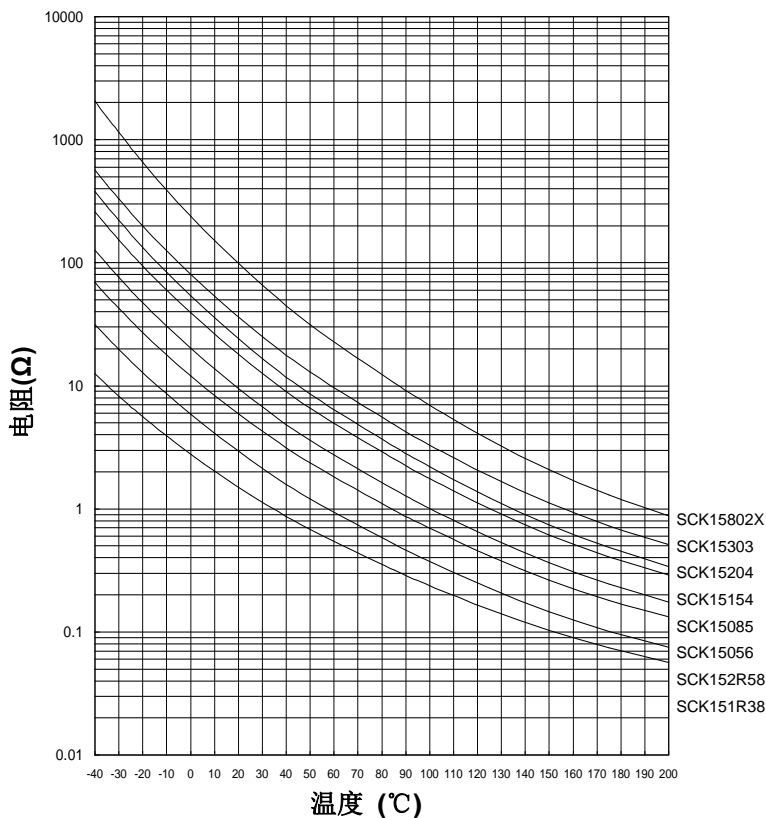
SCK150R78A~SCK151202



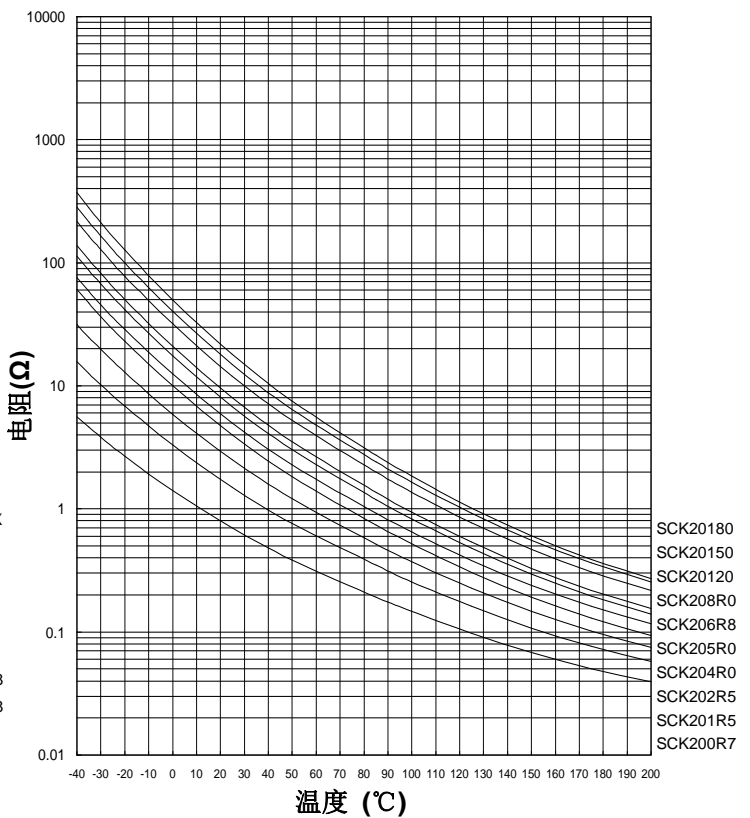
SCK15016~SCK15473



SCK151R38~SCK15802X



SCK200R7~SCK20180



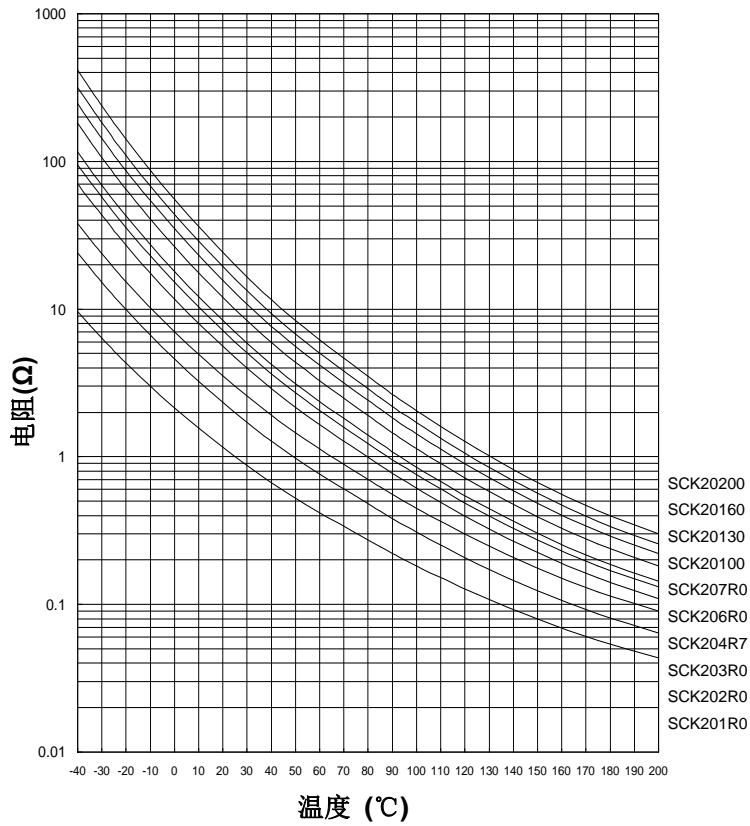
负温度系数热敏电阻器：SCK 系列



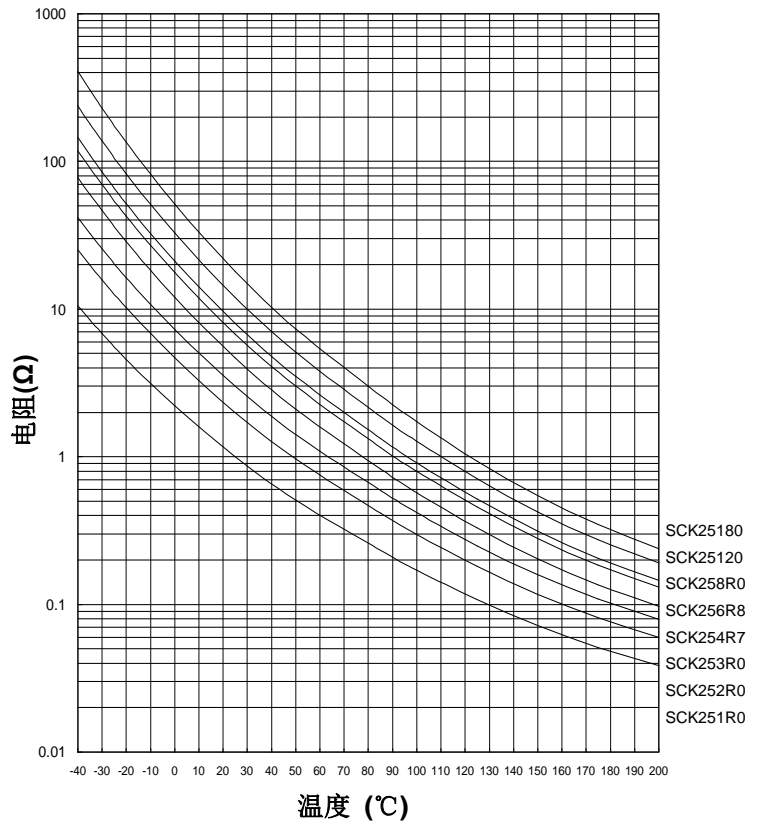
突波电流抑制用功率型热敏电阻器

■ 电阻-温度特性曲线

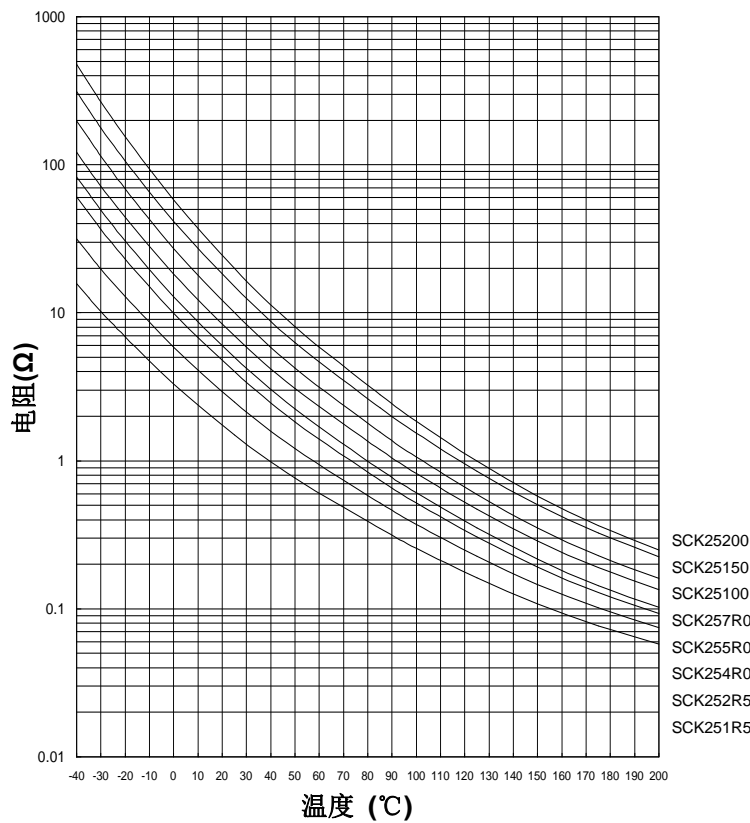
SCK201R0~SCK20200



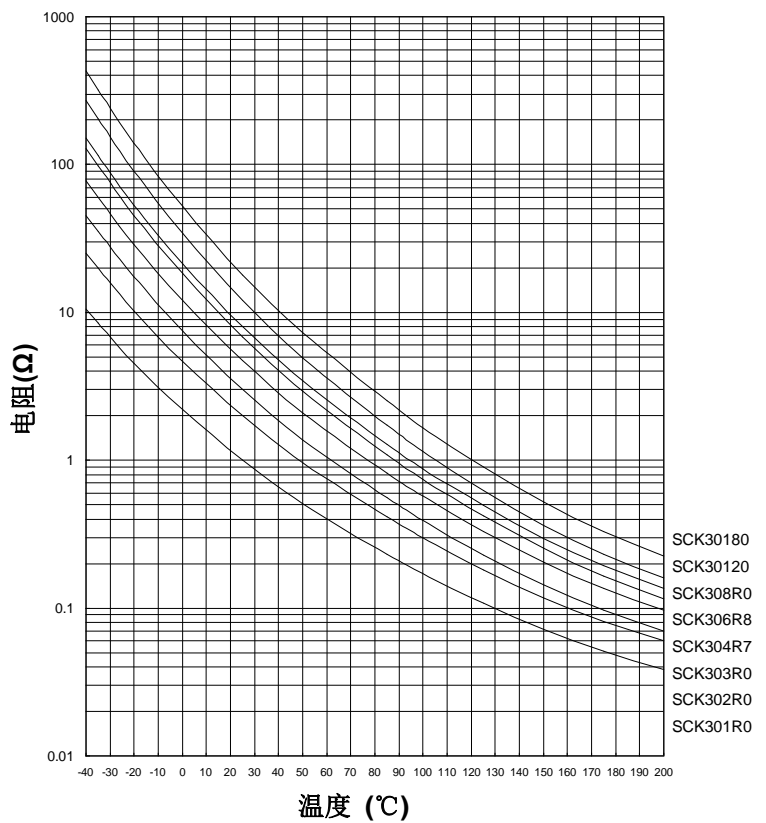
SCK251R0~SCK25180



SCK251R5~SCK25200



SCK301R0~SCK30180

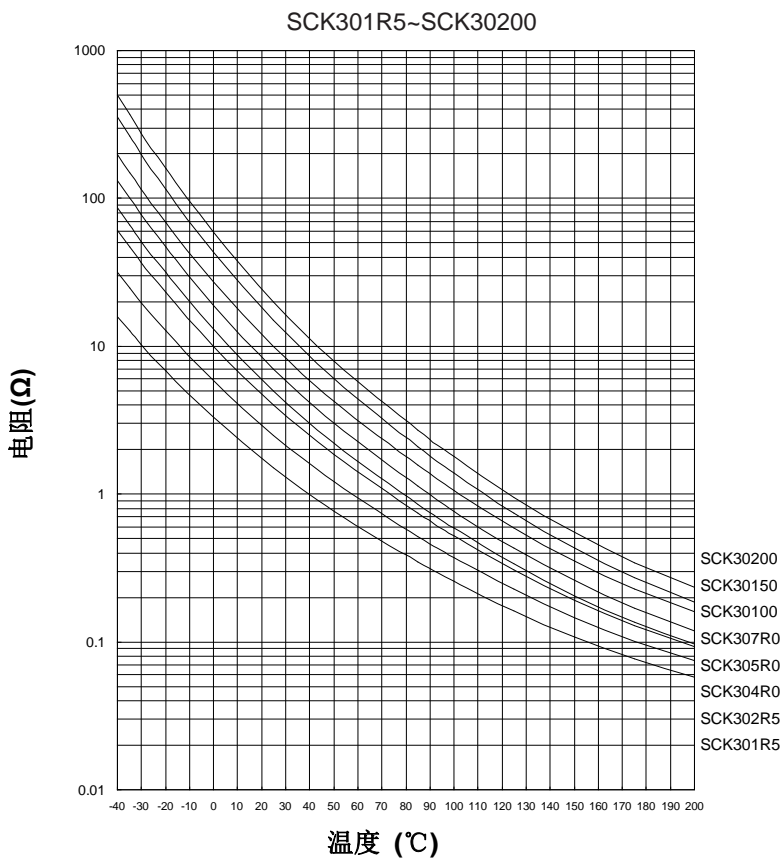


负温度系数热敏电阻器：SCK 系列



突波电流抑制用功率型热敏电阻器

■ 电阻-温度特性曲线

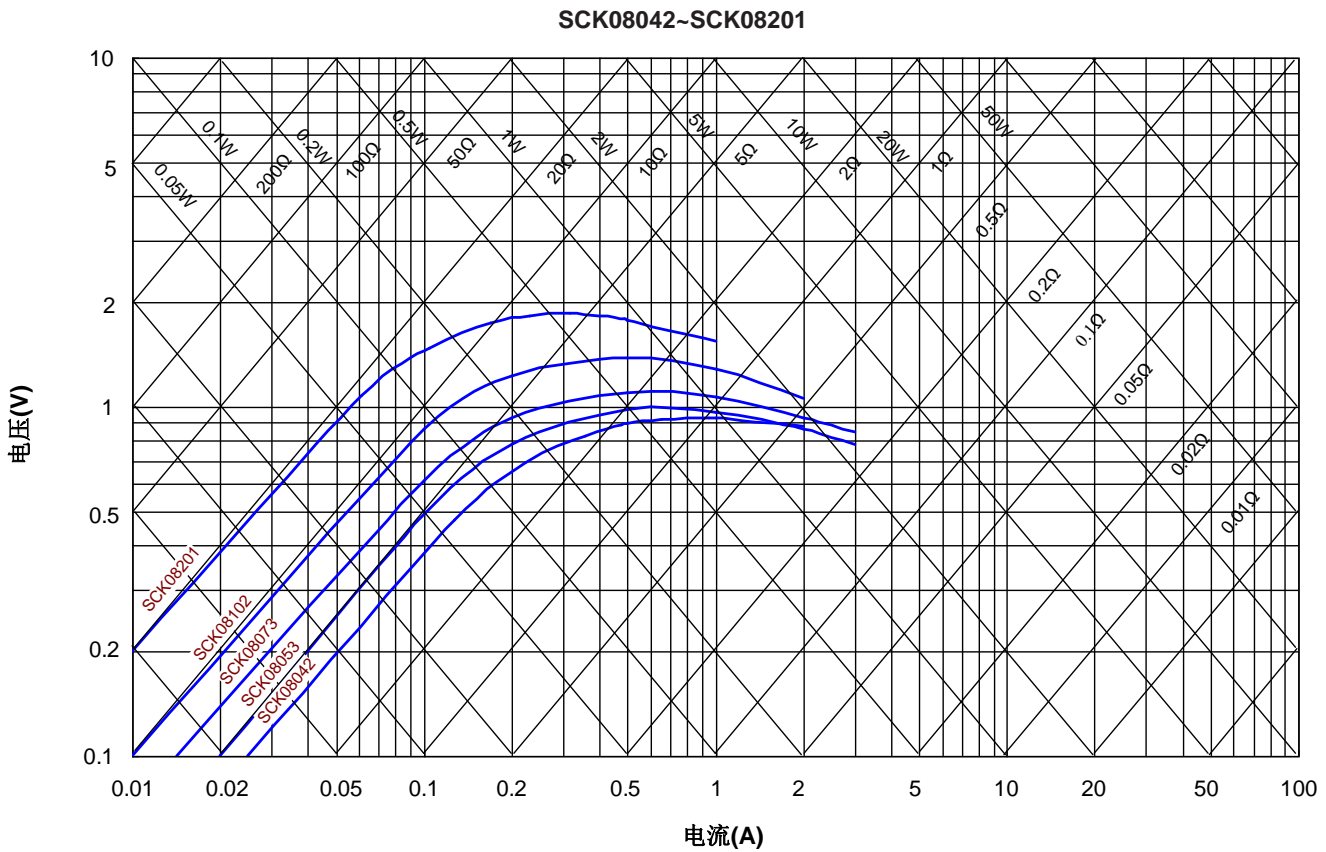
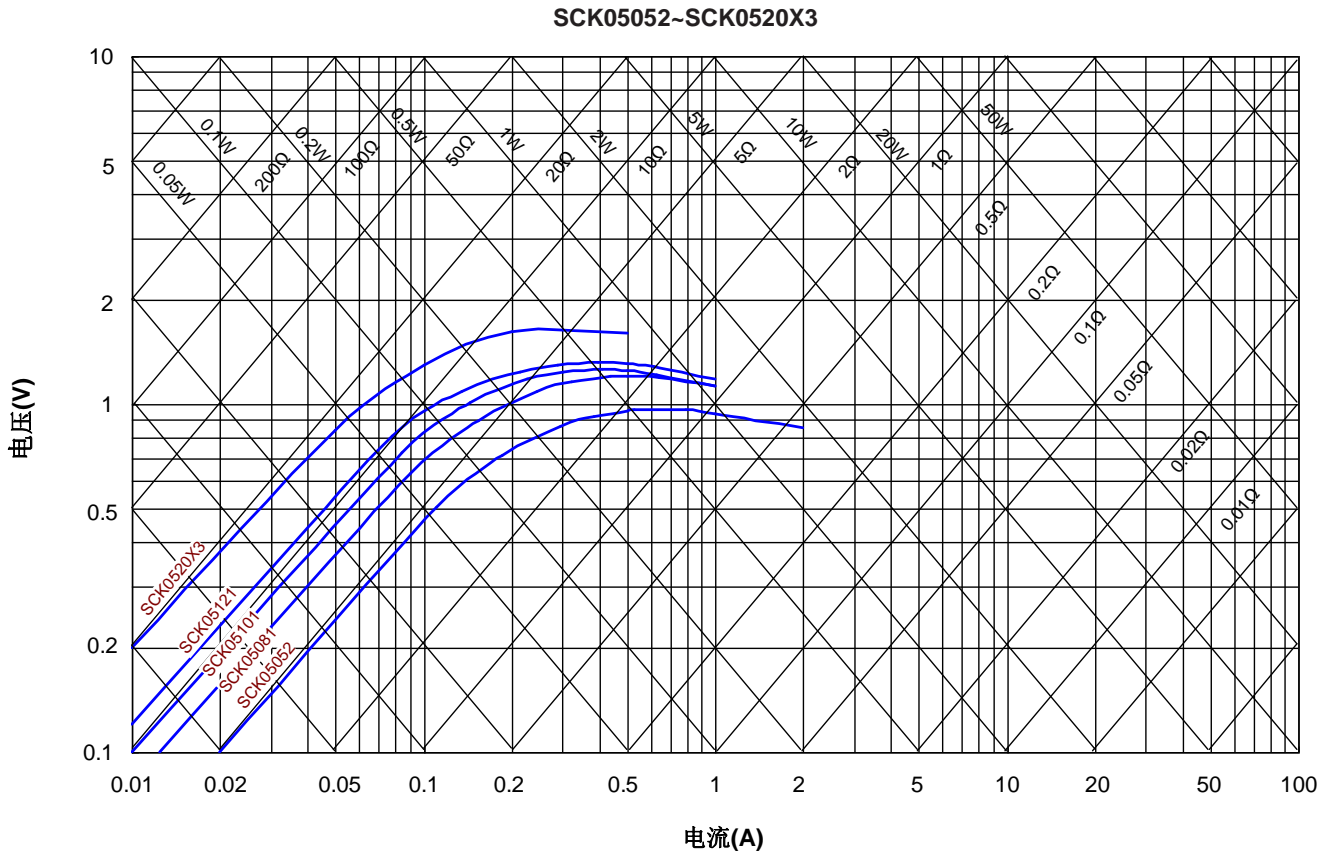


负温度系数热敏电阻器：SCK 系列



突波电流抑制用功率型热敏电阻器

■ 电压-电流特性曲线（代表性曲线）

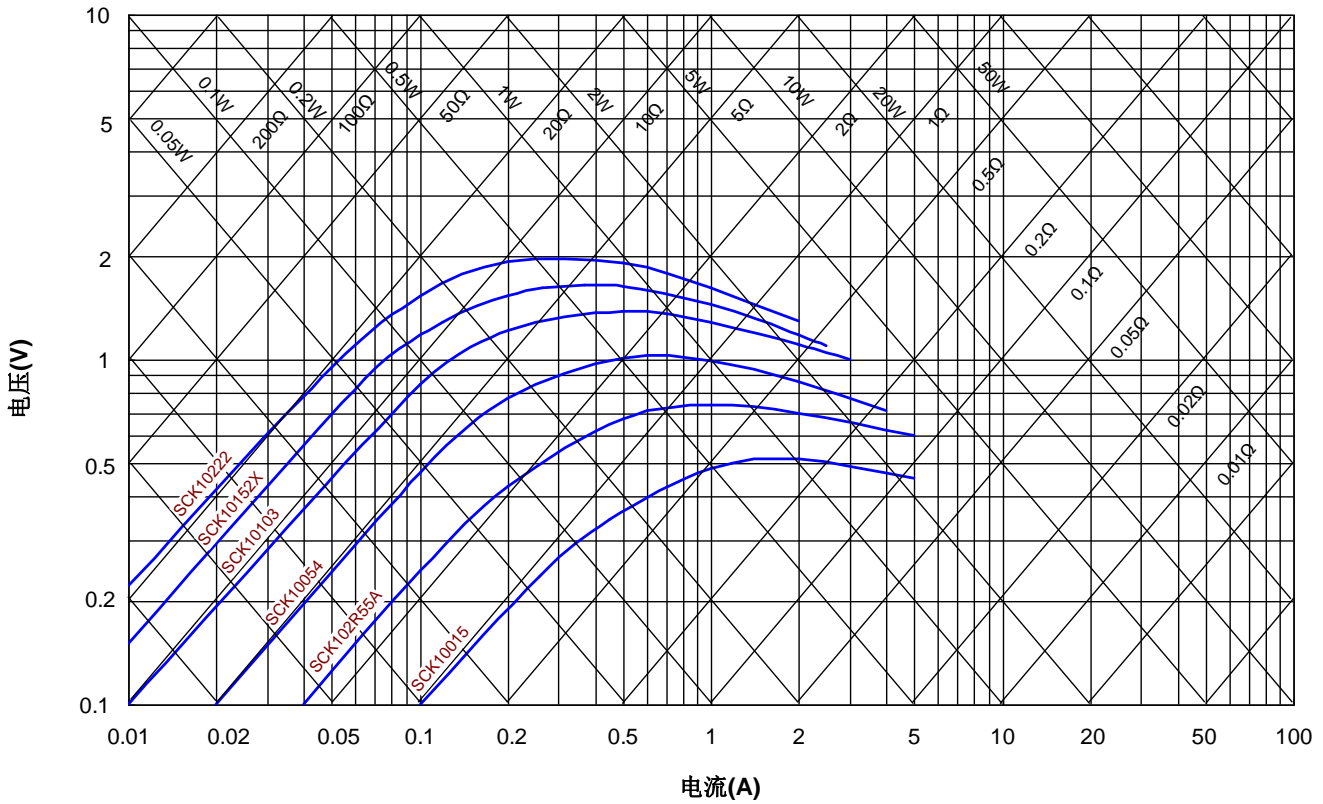


负温度系数热敏电阻器：SCK 系列

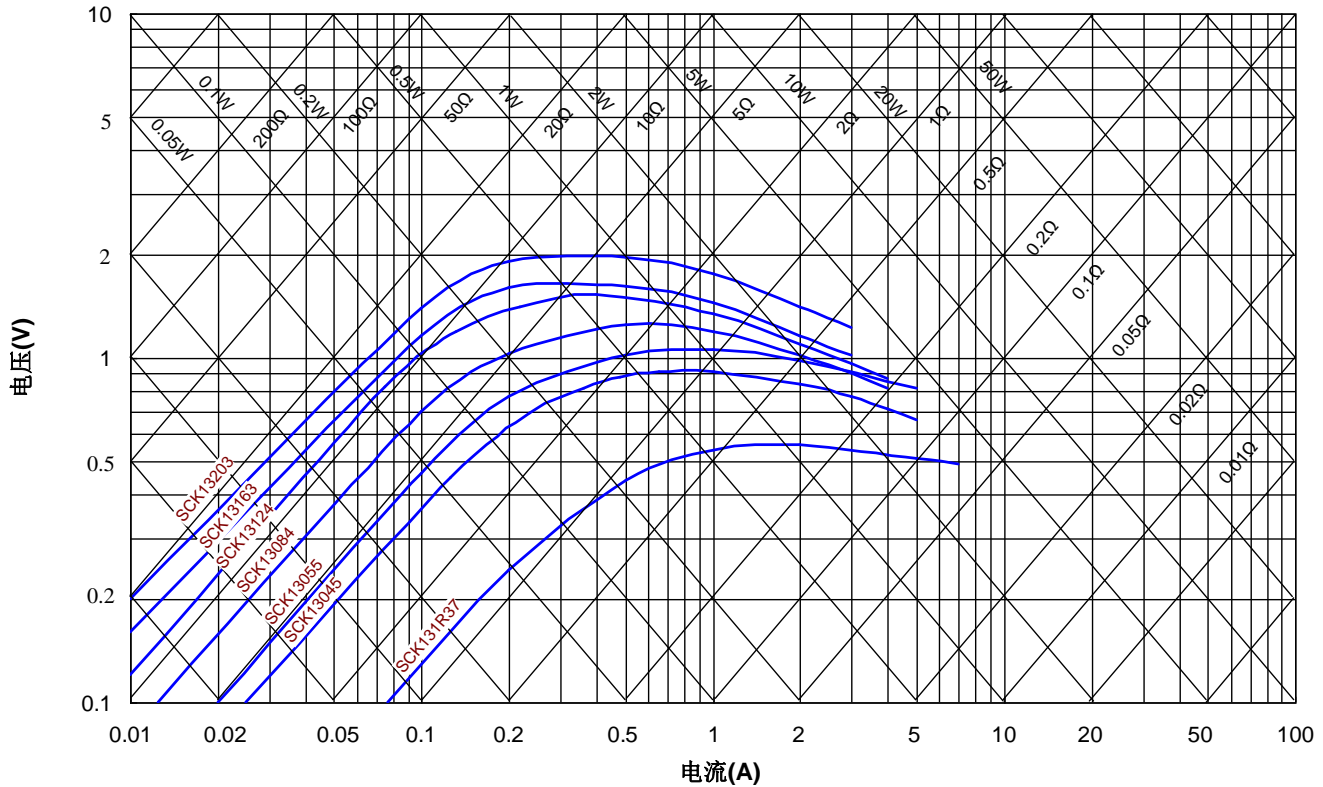


突波电流抑制用功率型热敏电阻器

SCK10015~SCK10222



SCK131R37~SCK13203

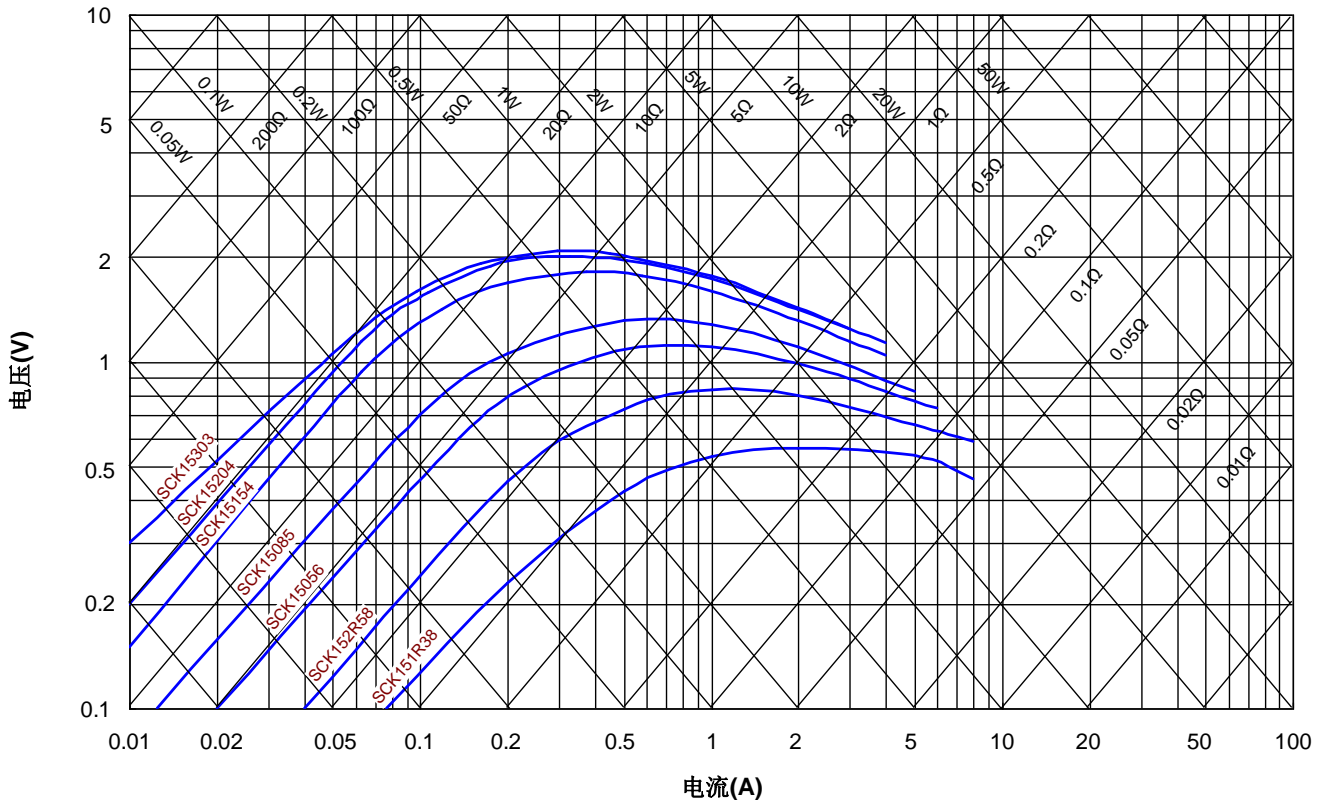


负温度系数热敏电阻器：SCK 系列

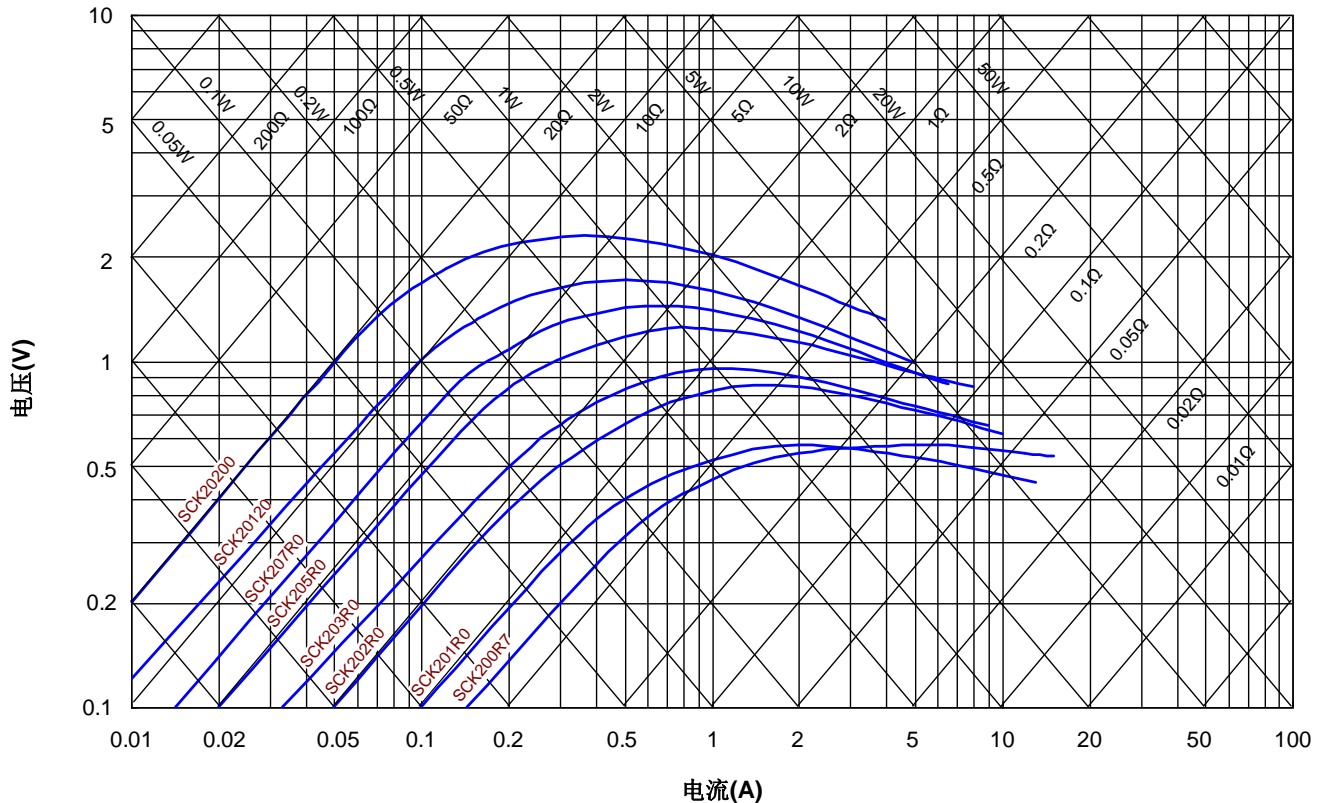


突波电流抑制用功率型热敏电阻器

SCK151R38~SCK15303



SCK200R7~SCK20200

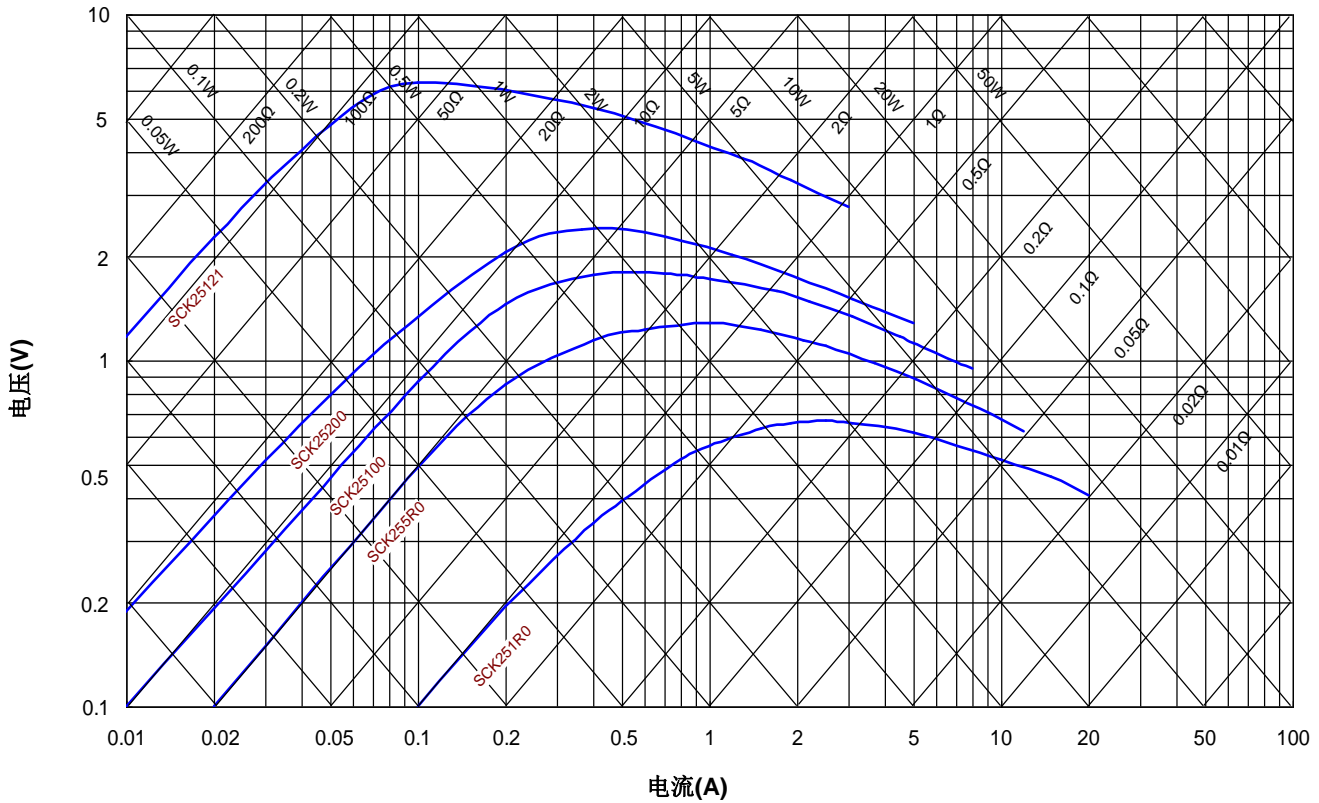


负温度系数热敏电阻器：SCK 系列

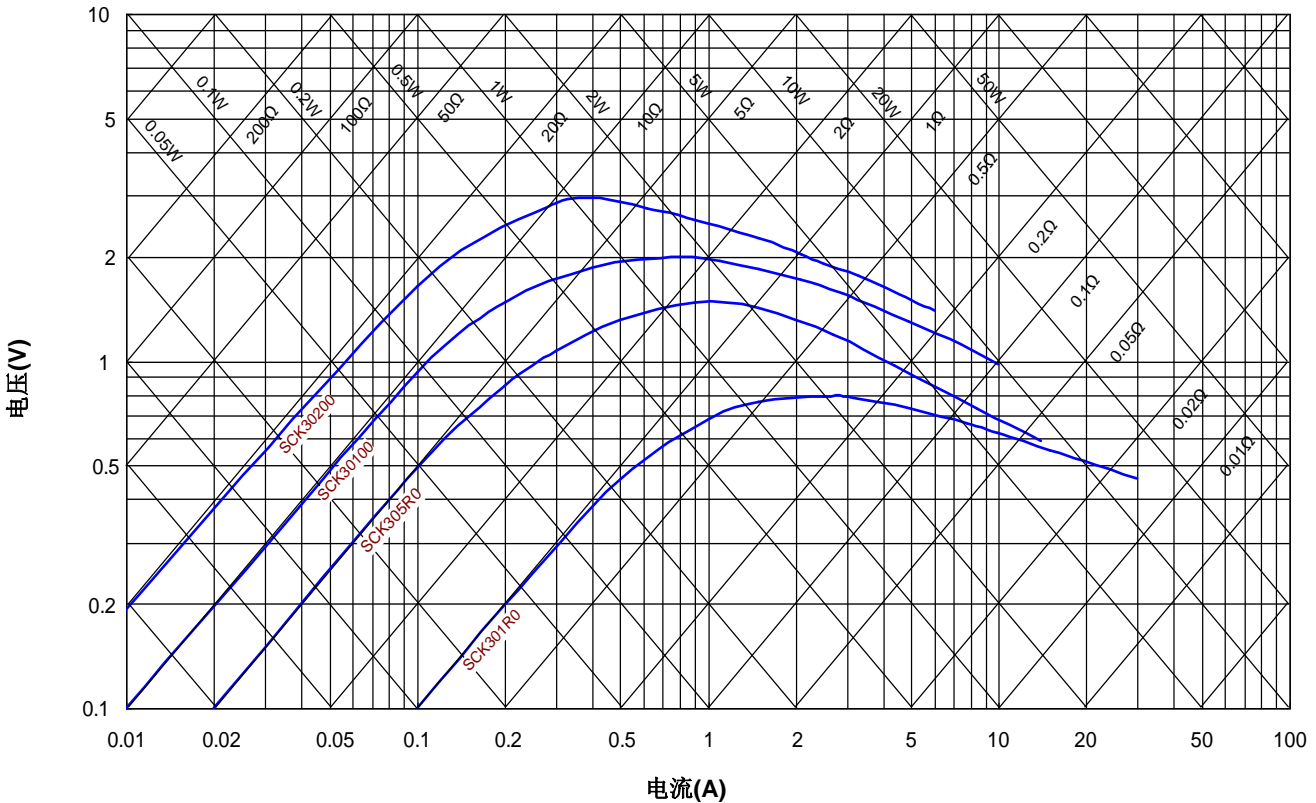


突波电流抑制用功率型热敏电阻器

SCK251R0~SCK25121



SCK301R0~SCK30200



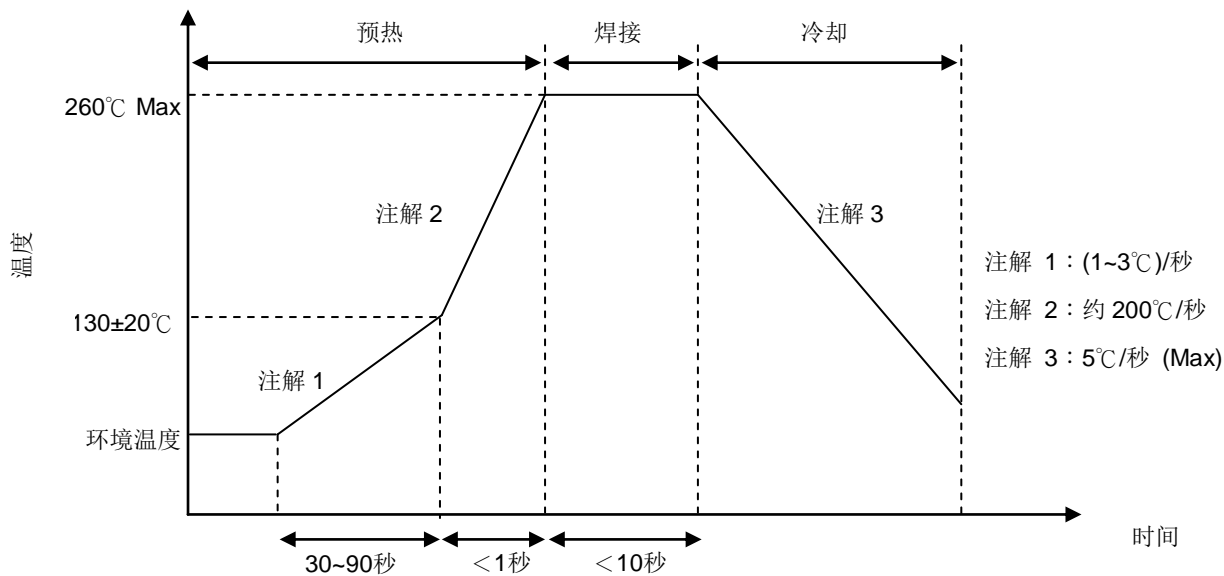
负温度系数热敏电阻器：SCK 系列



突波电流抑制用功率型热敏电阻器

■ 推荐焊接条件

● 波峰焊曲线



● 建议重工烙铁条件

| 项目 | 条件 |
|------------|---------------|
| 烙铁头部温度 | 360°C (max.) |
| 焊接时间 | 3 sec. (max.) |
| 焊接位置与涂装层距离 | 2 mm (min.) |

负温度系数热敏电阻器：SCK 系列



突波电流抑制用功率型热敏电阻器

■ 可靠性

| 试验项目 | 测试标准 | 试验条件 / 方法 | 性能要求 | | | | | | | | | | | | | | | |
|-----------------------|-----------------------------|-------------------------------------------------------------------------------------------------------------------------------------------------------------------------------------------------------------------------------------------------------------------------------------------------------------------------------------------------------------------------------------------------------------------------------------------------------------------------------------|---------------------------------------------|-------------------------|---------------------|-----|---------------------|------------|------------------------------------|----|-----------|---|-------------|------------|---|----|-----------|---------------------------------------------|
| 引出端强度 | IEC 60068-2-21 | <p>渐近的方式施加指定的重量，并且在固定位置维持 10 ± 1 秒。</p> <table border="1"> <thead> <tr> <th>线径 (mm)</th> <th>引线直接下拉力 (Kg)</th> </tr> </thead> <tbody> <tr> <td>$0.5 < d \leq 0.80$</td> <td>1.0</td> </tr> <tr> <td>$0.8 < d \leq 1.25$</td> <td>2.0</td> </tr> </tbody> </table> | 线径 (mm) | 引线直接下拉力 (Kg) | $0.5 < d \leq 0.80$ | 1.0 | $0.8 < d \leq 1.25$ | 2.0 | $ \Delta R_{25}/R_{25} \leq 10\%$ | | | | | | | | | |
| 线径 (mm) | 引线直接下拉力 (Kg) | | | | | | | | | | | | | | | | | |
| $0.5 < d \leq 0.80$ | 1.0 | | | | | | | | | | | | | | | | | |
| $0.8 < d \leq 1.25$ | 2.0 | | | | | | | | | | | | | | | | | |
| 可焊性 | IEC 60068-2-20 | $245 \pm 3^\circ\text{C}$, 3 ± 0.3 秒 | 着锡面积 $\geq 95\%$ | | | | | | | | | | | | | | | |
| 耐焊接热 | IEC 60068-2-20 | $260 \pm 3^\circ\text{C}$, 10 ± 1 秒 | 无外观损伤 $ \Delta R_{25}/R_{25} \leq 10\%$ | | | | | | | | | | | | | | | |
| 高温储存 | IEC 60068-2-2 | $T_u \pm 5^\circ\text{C}$, 1000 ± 24 小时 | 无外观损伤 $ \Delta R_{25}/R_{25} \leq 20\%$ | | | | | | | | | | | | | | | |
| 稳态湿热 | IEC 60068-2-78 | $40 \pm 2^\circ\text{C}$, 90~95% RH, 1000 ± 24 小时 | 无外观损伤 $ \Delta R_{25}/R_{25} \leq 20\%$ | | | | | | | | | | | | | | | |
| 温度快速变化 | IEC 60068-2-14 | <p>温度急变按下表条件循环 5 个周期。</p> <table border="1"> <thead> <tr> <th>步骤</th> <th>温度 ($^\circ\text{C}$)</th> <th>周期 (分钟)</th> </tr> </thead> <tbody> <tr> <td>1</td> <td>$T_L \pm 5$</td> <td>30 ± 3</td> </tr> <tr> <td>2</td> <td>室温</td> <td>5 ± 3</td> </tr> <tr> <td>3</td> <td>$T_U \pm 5$</td> <td>30 ± 3</td> </tr> <tr> <td>4</td> <td>室温</td> <td>5 ± 3</td> </tr> </tbody> </table> | 步骤 | 温度 ($^\circ\text{C}$) | 周期 (分钟) | 1 | $T_L \pm 5$ | 30 ± 3 | 2 | 室温 | 5 ± 3 | 3 | $T_U \pm 5$ | 30 ± 3 | 4 | 室温 | 5 ± 3 | 无外观损伤 $ \Delta R_{25}/R_{25} \leq 20\%$ |
| 步骤 | 温度 ($^\circ\text{C}$) | 周期 (分钟) | | | | | | | | | | | | | | | | |
| 1 | $T_L \pm 5$ | 30 ± 3 | | | | | | | | | | | | | | | | |
| 2 | 室温 | 5 ± 3 | | | | | | | | | | | | | | | | |
| 3 | $T_U \pm 5$ | 30 ± 3 | | | | | | | | | | | | | | | | |
| 4 | 室温 | 5 ± 3 | | | | | | | | | | | | | | | | |
| 最大电流 (I_{max}) | IEC 60539-1 4.26.1 | $25 \pm 5^\circ\text{C}$, I_{max} , 1000 ± 24 小时 | 无外观损伤 $ \Delta R_{25}/R_{25} \leq 20\%$ | | | | | | | | | | | | | | | |
| 耐久性 (OnOff) | 规格标准 | $25 \pm 5^\circ\text{C}$, I_{max} , C_{th} , 1 分钟 通 / 5 分钟 断 x 1000 周期 $C_{th} = 240 \text{ Vac}$ 下的建议电容值 | 无外观损伤 $ \Delta R_{25}/R_{25} \leq 20\%$ | | | | | | | | | | | | | | | |
| 绝缘测试 | MIL-STD-202F -Method 302 | 1000 V_{DC} , 1 分钟 | $\geq 500 \text{ M}\Omega$ | | | | | | | | | | | | | | | |

负温度系数热敏电阻器：SCK 系列



突波电流抑制用功率型热敏电阻器

■ 包装方式

● 编带包装方式

S 型(直脚)

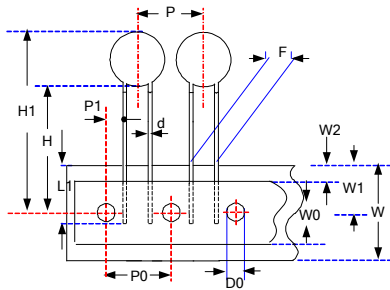


图 A

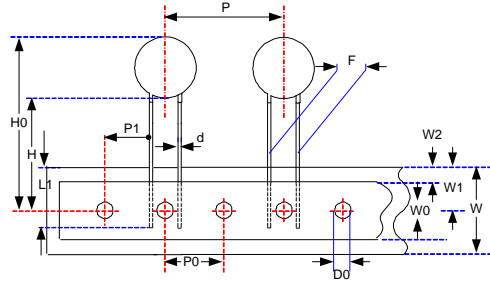


图 B

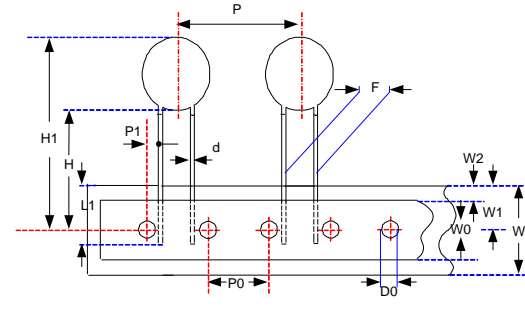
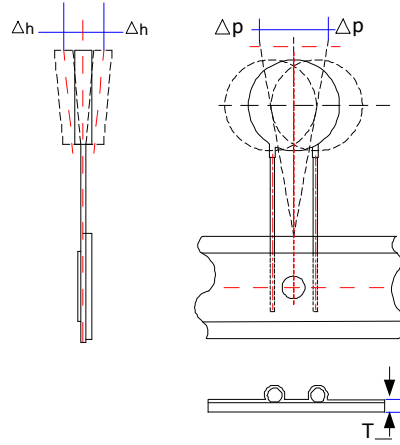
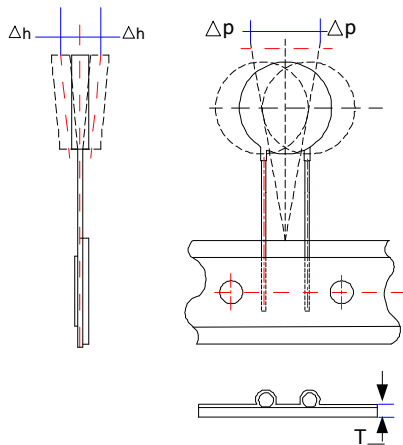


图 C



(单位: mm)

| 编带尺寸 | 本体尺寸 | P ₀ | F | P | P ₁ | H | H ₁ | d | W ₀ | W ₁ | W ₂ | W | Δ P | Δ h | L ₁ | D ₀ | T | 图形 |
|----------------------|------|----------------|------|------|----------------|-------|----------------|-------|----------------|----------------|----------------|-------------|------|------|----------------|----------------|------|----|
| | | ±0.3 | ±0.5 | ±1 | ±0.7 | +2/-0 | Max. | ±0.02 | ±1.5 | +0.75 /-0.5 | Max. | +1/ -0.5 | Max. | Max. | Min. | ±0.2 | ±0.2 | |
| P ₀ :12.7 | 05 | 12.7 | 4.0 | 12.7 | 4.35 | 18 | 28 | 0.8 | 12 | 9 | 3 | 18 | 1 | 2 | 9 | 4 | 0.6 | A |
| | 08 | 12.7 | 5.0 | 12.7 | 3.85 | 18 | 30 | 0.8 | 12 | 9 | 3 | 18 | 1 | 2 | 9 | 4 | 0.6 | A |
| | 10 | 12.7 | 5.0 | 12.7 | 3.85 | 18 | 32 | 0.8 | 12 | 9 | 3 | 18 | 1 | 2 | 9 | 4 | 0.6 | A |
| | 13 | 12.7 | 7.5 | 25.4 | 8.95 | 18 | 35 | 0.8 | 12 | 9 | 3 | 18 | 1 | 2 | 9 | 4 | 0.6 | B |
| | 15 | 12.7 | 7.5 | 25.4 | 8.95 | 18 | 37 | 1.0 | 12 | 9 | 3 | 18 | 1 | 2 | 9 | 4 | 0.6 | B |
| | 20 | 12.7 | 7.5 | 25.4 | 8.95 | 18 | 42 | 1.0 | 12 | 9 | 3 | 18 | 1 | 2 | 9 | 4 | 0.6 | B |
| P ₀ :15.0 | 05 | 15.0 | 4.0 | 15.0 | 5.50 | 18 | 28 | 0.8 | 12 | 9 | 3 | 18 | 1 | 2 | 9 | 4 | 0.6 | A |
| | 08 | 15.0 | 5.0 | 15.0 | 5.00 | 18 | 30 | 0.8 | 12 | 9 | 3 | 18 | 1 | 2 | 9 | 4 | 0.6 | A |
| | 10 | 15.0 | 5.0 | 15.0 | 5.00 | 18 | 32 | 0.8 | 12 | 9 | 3 | 18 | 1 | 2 | 9 | 4 | 0.6 | A |
| | 13 | 15.0 | 7.5 | 15.0 | 3.75 | 18 | 35 | 0.8 | 12 | 9 | 3 | 18 | 1 | 2 | 9 | 4 | 0.6 | A |
| | 15 | 15.0 | 7.5 | 30.0 | 3.75 | 18 | 37 | 1.0 | 12 | 9 | 3 | 18 | 1 | 2 | 9 | 4 | 0.6 | C |
| | 20 | 15.0 | 7.5 | 30.0 | 3.75 | 18 | 42 | 1.0 | 12 | 9 | 3 | 18 | 1 | 2 | 9 | 4 | 0.6 | C |

负温度系数热敏电阻器：SCK 系列



突波电流抑制用功率型热敏电阻器

F 型 (Y 型引脚)

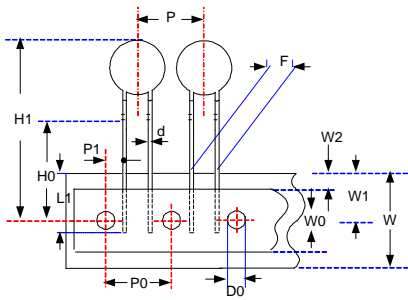


图 A

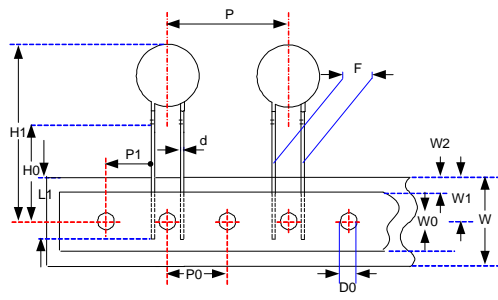


图 B

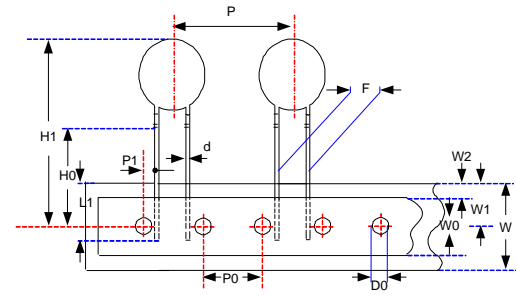
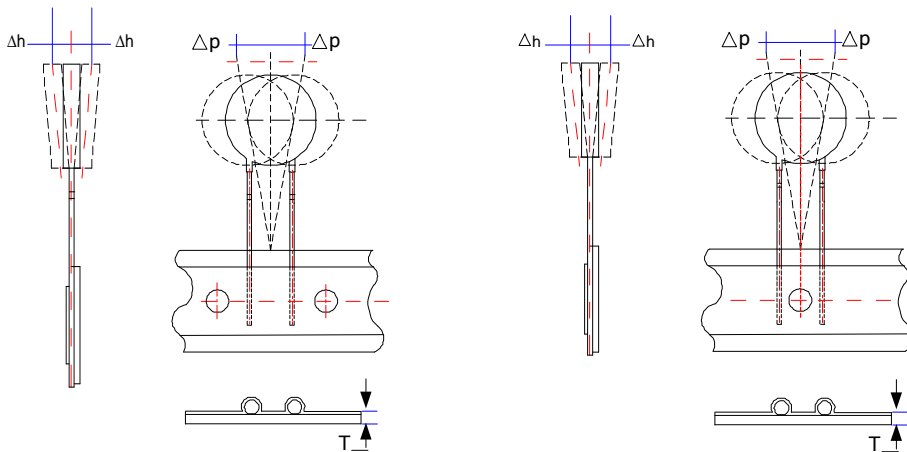


图 C



(单位: mm)

| 编带尺寸 | 本体尺寸 | P ₀ | F | P | P ₁ | H ₀ | H ₁ | d | W ₀ | W ₁ | W ₂ | W | Δ P | Δ h | L ₁ | D ₀ | T | 图形 |
|----------------------|------|----------------|------|------|----------------|----------------|----------------|-------|----------------|----------------|----------------|-------------|------|------|----------------|----------------|------|----|
| | | ±0.3 | ±0.5 | ±1 | ±0.7 | ±0.5 | Max. | ±0.02 | ±1.5 | +0.75 /-0.5 | Max. | +1/ -0.5 | Max. | Max. | Min. | ±0.2 | ±0.2 | |
| P ₀ :12.7 | 05 | 12.7 | 4.0 | 12.7 | 4.35 | 16 | 28 | 0.8 | 12 | 9 | 3 | 18 | 1 | 2 | 9 | 4 | 0.6 | A |
| | 08 | 12.7 | 5.0 | 12.7 | 3.85 | 16 | 30 | 0.8 | 12 | 9 | 3 | 18 | 1 | 2 | 9 | 4 | 0.6 | A |
| | 10 | 12.7 | 5.0 | 12.7 | 3.85 | 16 | 32 | 0.8 | 12 | 9 | 3 | 18 | 1 | 2 | 9 | 4 | 0.6 | A |
| | 13 | 12.7 | 7.5 | 25.4 | 8.95 | 16 | 35 | 0.8 | 12 | 9 | 3 | 18 | 1 | 2 | 9 | 4 | 0.6 | B |
| | 15 | 12.7 | 7.5 | 25.4 | 8.95 | 16 | 37 | 1.0 | 12 | 9 | 3 | 18 | 1 | 2 | 9 | 4 | 0.6 | B |
| | 20 | 12.7 | 7.5 | 25.4 | 8.95 | 16 | 42 | 1.0 | 12 | 9 | 3 | 18 | 1 | 2 | 9 | 4 | 0.6 | B |
| P ₀ :15.0 | 05 | 15.0 | 4.0 | 15.0 | 5.50 | 16 | 28 | 0.8 | 12 | 9 | 3 | 18 | 1 | 2 | 9 | 4 | 0.6 | A |
| | 08 | 15.0 | 5.0 | 15.0 | 5.00 | 16 | 30 | 0.8 | 12 | 9 | 3 | 18 | 1 | 2 | 9 | 4 | 0.6 | A |
| | 10 | 15.0 | 5.0 | 15.0 | 5.00 | 16 | 32 | 0.8 | 12 | 9 | 3 | 18 | 1 | 2 | 9 | 4 | 0.6 | A |
| | 13 | 15.0 | 7.5 | 15.0 | 3.75 | 16 | 35 | 0.8 | 12 | 9 | 3 | 18 | 1 | 2 | 9 | 4 | 0.6 | A |
| | 15 | 15.0 | 7.5 | 30.0 | 3.75 | 16 | 37 | 1.0 | 12 | 9 | 3 | 18 | 1 | 2 | 9 | 4 | 0.6 | C |
| | 20 | 15.0 | 7.5 | 30.0 | 3.75 | 16 | 42 | 1.0 | 12 | 9 | 3 | 18 | 1 | 2 | 9 | 4 | 0.6 | C |

负温度系数热敏电阻器：SCK 系列



突波电流抑制用功率型热敏电阻器

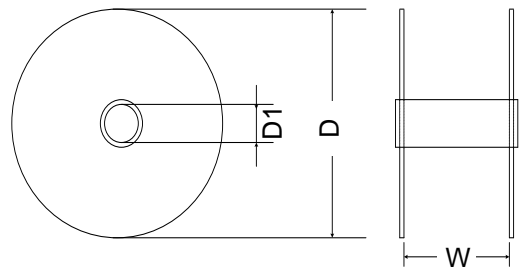
■ 包装数量

● 散装

| 系列 | 直脚型数量 (pcs/袋) | 切脚型数量 (pcs/袋) | L 型引脚数量 (pcs/袋) |
|-------|---------------|---------------|-----------------|
| SCK05 | 250 | 500 | --- |
| SCK08 | 250 | 250 | 200 |
| SCK10 | 200 | 250 | 200 |
| SCK13 | 100 | 200 | 100 |
| SCK15 | 100 | 100 | 100 |
| SCK20 | 500 (pcs/盒) | 50 | 50 |
| SCK25 | 396 (pcs/盒) | 396 (pcs/盒) | --- |
| SCK30 | 396 (pcs/盒) | 396 (pcs/盒) | --- |

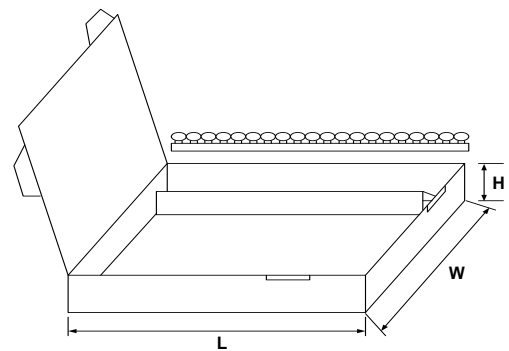
● 卷轴包装

| 系列 | D (mm) | D1 (mm) | W (mm) | 数量 (pcs/卷) |
|-------|--------|---------|--------|------------|
| SCK05 | 340±10 | 31±1 | 46±1 | 2,000 |
| SCK08 | | | | 1,500 |
| SCK10 | | | | 1,500 |
| SCK13 | | | | 750 |
| SCK15 | | | 52±1 | 750 |
| SCK20 | | | | 500 |



● 盒装

| 系列 | 数量 (pcs/盒) |
|-------|--------------------------------------------------------------|
| SCK05 | 1,500 |
| SCK08 | 1,300 |
| SCK10 | 1,300 |
| SCK13 | 600 (P ₀ 12.7mm) 1,000 (P ₀ 15.0mm) |
| SCK15 | 500 |
| SCK20 | 500 |



(单位: mm)

| 本体尺寸 | L | W | H |
|--------|-----|-----|----|
| Φ5~Φ20 | 345 | 275 | 55 |

■ 仓库存储条件

● 存储条件：

1. 存储温度：-10℃ ~ +40℃
2. 相对湿度：≤ 75%RH
3. 不要将本产品存放在有腐蚀性气体或是阳光直接照射的环境中保管

● 存储期限：1年

X-ON Electronics

Largest Supplier of Electrical and Electronic Components

Click to view similar products for NTC (Negative Temperature Coefficient) Thermistors category:

Click to view products by TKS manufacturer:

Other Similar products are found below :

[B57364S2509A002](#) [526-31AA19-104](#) [526-31AN12-202](#) [11028414-00](#) [526-31AA79-102](#) [PTCLL05P131TBE](#) [144-101FAG-001](#) [521-53AW02-104](#) [1-1423022-3](#) [MF0916001M4BP0FPT0](#) [MF58-5.91KF3820-B1](#) [04M5002SFA4](#) [NCG18WF104F0SRB](#)
[NXFT15WF104FEAB035](#) [NXFT15WF104FEAB040](#) [NXFT15XV103FEAB030](#) [NXFT15XV103FEAB025](#) [NXFT15XV103FEAB040](#)
[NXFT15XH103FEAB050](#) [NXFT15XH103FEAB040](#) [NCG18XH103F0SRB](#) [USUR1000-502G-06](#) [NXFT15XH103FEAB045](#)
[B57864S0502F040](#) [NTCALUG01A103G611](#) [GA50K6A1IA](#) [GA10K3MR1I](#) [NXFT15XV103FEAB035](#) [NXFT15XV103FEAB021](#)
[NXFT15XV103FEAB045](#) [GA50K6A1IB](#) [GA30K5A1A](#) [GA10K4A1IA](#) [A1004SS22P63](#) [11031964-00](#) [NXFT15XH103FEAB035](#)
[NXFT15WF104FEAB021](#) [GA100K6A1IB](#) [11026149-00](#) [TCTR0805F10K0F4460T](#) [TCTR0805F10K0F3720T](#) [TCTR0603F100KF4460T](#)
[TCTR0603F100KF4390T](#) [TCTR0603F100KF4050T](#) [TCTR0603F100KF3980T](#) [TCTR0603F10K0F4300T](#) [TCTR0603F10K0F3960T](#)
[TCTR0603F10K0F3930T](#) [TCTR0805F100KF4460T](#) [TCTR0805F100KF4310T](#)