



THINKING ELECTRONIC INDUSTRIAL CO., LTD.

HEAD OFFICE: 12F, No.93, Dashun 1st Rd., Zuoying Dist., Kaohsiung, Taiwan
TEL: 886-7-5577660 FAX: 886-7-5570560

MANUFACTURING SITE

- KAOHSIUNG FACTORY 1: No. 51, Kaifa Rd., N.E.P.Z, Kaohsiung City 81170, Taiwan
TEL: 886-7-9616668 FAX: 886-7-9616698
- KAOHSIUNG FACTORY 2: No. 2-2, Xinjian S. Rd., N.E.P.Z., Kaohsiung City 81170, Taiwan
TEL: 886-7-9630001 FAX: 886-7-3635113
- CHANGZHOU FACTORY: No.6 Longmen Rd., Wujin High & New-Tech Industrial
Development Zone, Changzhou, Jiangsu, China 213161
TEL: 86-519-86578999 FAX: 86-519-86558643
- DONG GUAN FACTORY: No.45, East Rd., Sha-Tao Dist., Chang-An Town,
Dongguan City, Guangdong, China 523863
TEL: 86-769-85542016 FAX: 86-769-85546890
- YICHANG FACTORY: No. 283 Xiaoting Avenue, Xiaoting Dist., Yichang
City 443007, Hubei, China
TEL: 86-717-6510010 FAX: 86-717-6511430



SPECIFICATION FOR APPROVAL

CUSTOMER _____

CERTIFIED
MODEL/TYPE

TVR14621

PART NO.

TVR14621BORR207F (RoHS+HF)

APPLICATION _____

CUSTOMER P/N _____

ISSUE DATE

Sep.30.2020

REV. NO. _____

REV. DATE _____

| FOR CUSTOMER APPROVAL | CHECKED BY |
|-----------------------|----------------|
| | Yuan Yuan |
| | APPROVED BY |
| | Huaifang Zhang |





REVISED RECORD SHEET

| REV. NO | REV. DATE | REVISED CONTENT |
|---------|-----------|-----------------|
| | | |



| INDEX | Page |
|--|-------------|
| ■ Part Number Code | 1 |
| ■ Structure and Dimensions | 2 |
| ■ Electrical Characteristics | 2 |
| ■ Reliability | 3 ~ 4 |
| ■ Soldering Recommendation | 5 |
| ■ Power Derating Curve | 6 |
| ■ RoHS Compliant Declaration | 6 |
| ■ Warehouse Storage Conditions of Products | 6 |
| ■ Taping and Dimensions | 7 |
| ■ Packaging | 8 |
| ■ Safety Approvals | 9 |
| ■ Certificates | 9 |
| ■ Max. Surge Current Derating Curves | 10 |
| ■ Max. Leakage Current and Max. Clamping Voltage Curve | 11 |

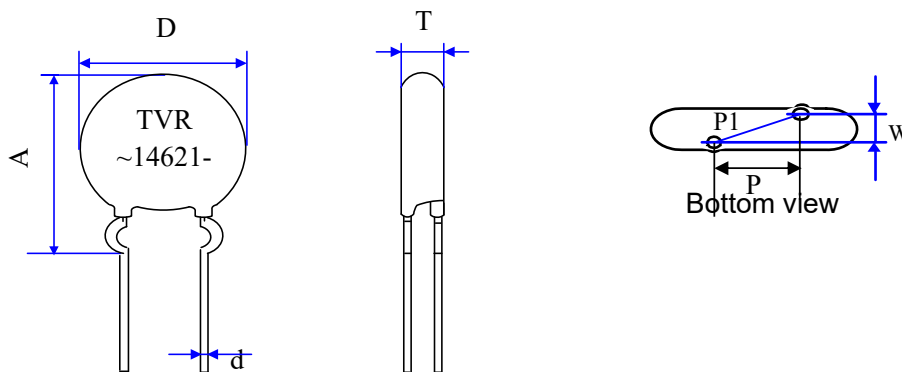
Part Number Code

Example :

TVR **14** **621** **B** **O** **RR** **207F**
 (1) (2) (3) (4) (5) (6) (7)

| No. | Item | Digit | Specification |
|-----|-------------------------------|-------|---|
| (1) | Product Type | TVR | Thinking varistor TVR type |
| (2) | Body Size | 14 | φ 14 mm |
| (3) | Varistor Voltage | 621 | $62 \times 10^1 \text{ V} = 620\text{V} (V_{1\text{mA}})$ |
| (4) | Tolerance of $V_{1\text{mA}}$ | B | 0 ~ -10 % |
| (5) | Appearance | O | Kink -out Lead ; Epoxy Coating |
| (6) | Packaging | R | original tapping (hole pitch: 12.7mm) |
| | | R | reel |
| (7) | Optional Suffix | 207F | 1.Amax:19.0mm 2.RoHS+HF compliance 3.P1:8±0.8mm |

Structure and Dimensions



(unit : mm)

| Body Size | D | P | d | A max. | T | W | P1 |
|-----------|-----------|---------|-----------|--------|---------|---------|-------|
| φ 14 | 13.5~16.0 | 7.5±0.5 | 0.80±0.02 | 19.0 | 4.3-6.3 | 3.2±0.8 | 8±0.8 |

*Coating material rating:UL 94 V-0

P: 参考値

Electrical Characteristics (Ambient Ta=25 °C)

| Part No. | Varistor Voltage (@ 1mA DC) | Max. Continuous Voltage | | Max. Clamping Voltage (8/20μS) | | Max. Surge Current (8/20μS) | Max. Energy (10/1000μS) |
|------------------|-----------------------------|--------------------------|---------------------|--------------------------------|--------------------|-----------------------------|-------------------------|
| | V _{1mA} (V) | V _{AC(rms)} (V) | V _{DC} (V) | V _p (V) | I _p (A) | I (A) | W (J) |
| TVR14621BORR207F | 558~620 | 395 | 510 | 1020 | 50 | 4500 | 125 |

| Part No. | Rated Power | Impulse Response Time | Max. Leakage Current at 75%V _{1mA} | Operating Temperature Range | Storage temperature Range | Applications | | |
|------------------|-------------|-----------------------|---|-----------------------------|---------------------------|--------------|-------------|--------------|
| | P (W) | nSec | I _L (μA) | (°C) | (°C) | UL 1449 | IEC 60950-1 | IEC 60065 |
| TVR14621BORR207F | 0.6 | <25 | 20 | -40 ~ +85 | -40 ~ +125 | SPD Type 5 | 2018/G.8.1 | Clause 14.12 |

Reliability

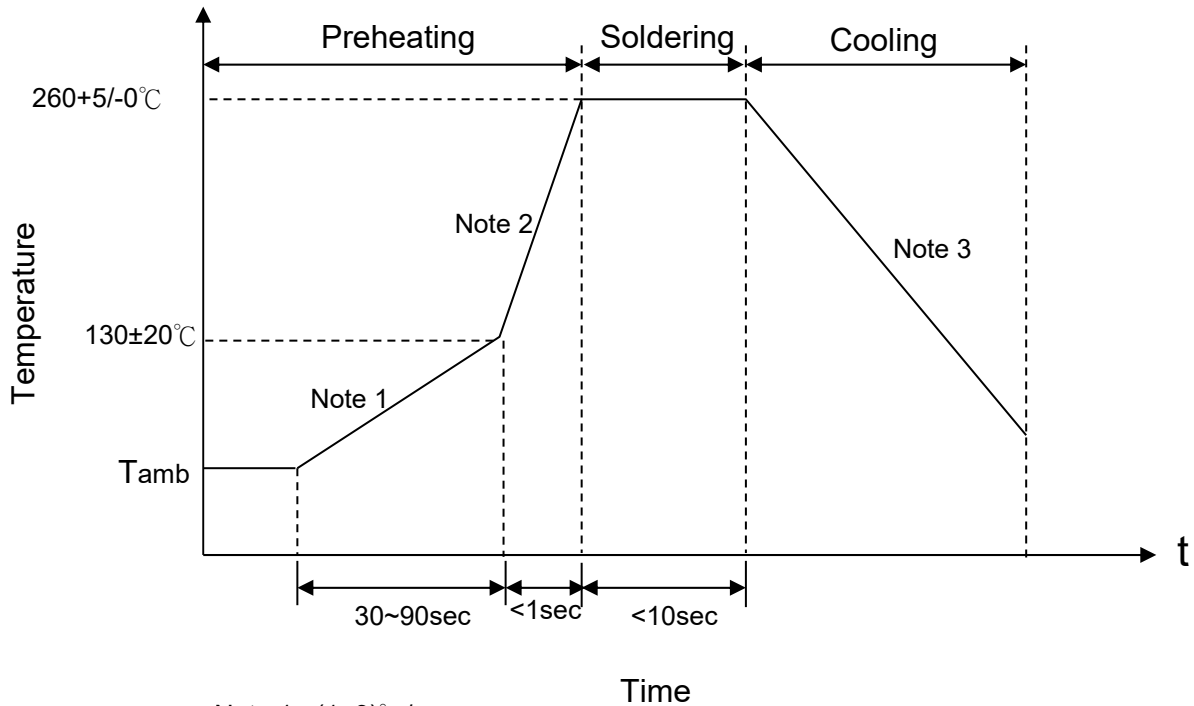
| Item | Standard | Test conditions / Methods | Specifications | | | | | | | | | | | | | | | |
|-------------------------------|------------------------|---|--|------------------|------------------|---|---------|--------|---|------------------|-------|---|--------|--------|---|------------------|-------|--|
| Tensile Strength of Terminals | IEC60068-2-21 | Gradually applying the force specified and keeping the unit fixed for 10±1 sec. Terminal diameter (mm) Force (Kg) ----- 0.5<d≤0.8 1.0 0.8<d≤1.25 2.0 1.25<d 4.0 | No visible damage ΔV/V _{1mA} ≤5% | | | | | | | | | | | | | | | |
| Bending Strength of Terminals | IEC60068-2-21 | Hold specimen and apply the force specified below to each lead. Bend the specimen to 90°, then return to the original position. Repeat the procedure in the opposite direction. Terminal diameter (mm) Force (Kg) ----- 0.5<d≤0.8 0.5 0.8<d≤1.25 1.0 1.25<d 2.0 | No visible damage ΔV/V _{1mA} ≤5% | | | | | | | | | | | | | | | |
| Vibration | IEC 60068-2-6 | Frequency range:10~55Hz Amplitude:0.75mm or 98m/S ² Direction:3 mutually perpendicular directions,2hrs each. | ΔV/V _{1mA} ≤5% No visible damage | | | | | | | | | | | | | | | |
| Solderability | IEC60068-2-20 | 260 +5/-0 °C , 5~10 sec | At least 95% of terminal electrode is covered by new solder | | | | | | | | | | | | | | | |
| Resistance to Soldering Heat | IEC60068-2-20 | 260 ± 5 °C , 10 ± 1 sec | No visible damage ΔV/V _{1mA} ≤5% | | | | | | | | | | | | | | | |
| High Temperature Storage | IEC60068-2-2 | 125 ± 5 °C , 1000 ± 24 hrs | No visible damage ΔV/V _{1mA} ≤5% | | | | | | | | | | | | | | | |
| Damp Heat, Steady State | IEC 60068-2-78 | The test is divided into two groups . a.40 ± 2°C , 90 ~ 95 % RH , 1344 hrs b.40 ± 2°C , 90 ~ 95 % RH , at 10%V _{DC} , 1344 hrs | No visible damage ΔV/V _{1mA} ≤10% Insulation Resistance ≥ 100MΩ | | | | | | | | | | | | | | | |
| Rapid Change of Temperature | IEC60068-2-14 | The conditions shown below shall be repeated 5 cycles <table border="1" data-bbox="517 1756 1129 1948"> <thead> <tr> <th>Step</th> <th>Temperature (°C)</th> <th>Period (minutes)</th> </tr> </thead> <tbody> <tr> <td>1</td> <td>-40 ± 3</td> <td>30 ± 3</td> </tr> <tr> <td>2</td> <td>Room temperature</td> <td>5 ± 3</td> </tr> <tr> <td>3</td> <td>85 ± 2</td> <td>30 ± 3</td> </tr> <tr> <td>4</td> <td>Room temperature</td> <td>5 ± 3</td> </tr> </tbody> </table> | Step | Temperature (°C) | Period (minutes) | 1 | -40 ± 3 | 30 ± 3 | 2 | Room temperature | 5 ± 3 | 3 | 85 ± 2 | 30 ± 3 | 4 | Room temperature | 5 ± 3 | No visible damage ΔV/V _{1mA} ≤5% |
| Step | Temperature (°C) | Period (minutes) | | | | | | | | | | | | | | | | |
| 1 | -40 ± 3 | 30 ± 3 | | | | | | | | | | | | | | | | |
| 2 | Room temperature | 5 ± 3 | | | | | | | | | | | | | | | | |
| 3 | 85 ± 2 | 30 ± 3 | | | | | | | | | | | | | | | | |
| 4 | Room temperature | 5 ± 3 | | | | | | | | | | | | | | | | |
| High Temp. Load | MIL-STD-202 Method 108 | 85 ± 2 °C , 1000 ± 24 hrs, at V _{DC} or V _{rms} (Max. Operating Voltage) | ΔV/V _{1mA} ≤10% No visible damage | | | | | | | | | | | | | | | |



| Item | Standard | Test conditions / Methods | Specifications |
|---|---------------------------|--|---|
| 8/20 μ S Surge Life | IEC 61051-1 4.6 | 10 pulses(8/20 μ S) , unipolar, interval 30 secs,amplitude corr. to max. Surge current derating curves for 20 μ S. | $ \Delta V/V_{1mA} \leq 10\%$ No visible damage |
| 10/1000 μ S Surge Life | IEC 61051-1 4.6 | 10/1000 μ S waveform, 10 surge currents,unipolar,interval 2mins, amplitude corr. to max. surge current derating curves for 1000 μ S | $ \Delta V/V_{1mA} \leq 10\%$ No visible damage |
| Varistor Voltage Temp. Coefficient | Specification Standard | $\frac{V_{1mA} \text{ at } 85^{\circ}\text{C} - V_{1mA} \text{ at } 25^{\circ}\text{C}}{V_{1mA} \text{ at } 25^{\circ}\text{C}} \times \frac{1}{60} \times 100 (\% / ^{\circ}\text{C})$ $\frac{V_{1mA} \text{ at } -40^{\circ}\text{C} - V_{1mA} \text{ at } 25^{\circ}\text{C}}{V_{1mA} \text{ at } 25^{\circ}\text{C}} \times \frac{1}{65} \times 100 (\% / ^{\circ}\text{C})$ | $-0.05 \leq TC \leq 0.05 (\% / ^{\circ}\text{C})$ |
| Voltage Proof | IEC 61051-1 4.9 | Metal balls method, 2500 Vac 1 min | No visible damage |

Soldering Recommendation

■ Wave Soldering Profile



- Note 1 : (1~3) $^\circ\text{C}/\text{sec}$
 Note 2 : Approx. 200 $^\circ\text{C}/\text{sec}$
 Note 3 : 5 $^\circ\text{C}/\text{sec}$ Max

■ Recommended Reworking Conditions with Soldering Iron

| Item | Conditions |
|-----------------------------------|--|
| Temperature of Soldering Iron-tip | 350 $^\circ\text{C}$ ~400 $^\circ\text{C}$ |
| Soldering Time | 3 sec (max.) |
| Distance from Varistor | 2 mm (min.) |

Power Derating Curve

When operating temperature exceeds 85°C, the power, the Max.continuous operation Voltage, the Max.Surge Current and the Max.Energy should be derated as below figure, the derated coefficient is -2.5%.



RoHS Compliant Declaration

We hereby declare that the components delivered to your company are compliant with RoHS directive 2015/863/EU.

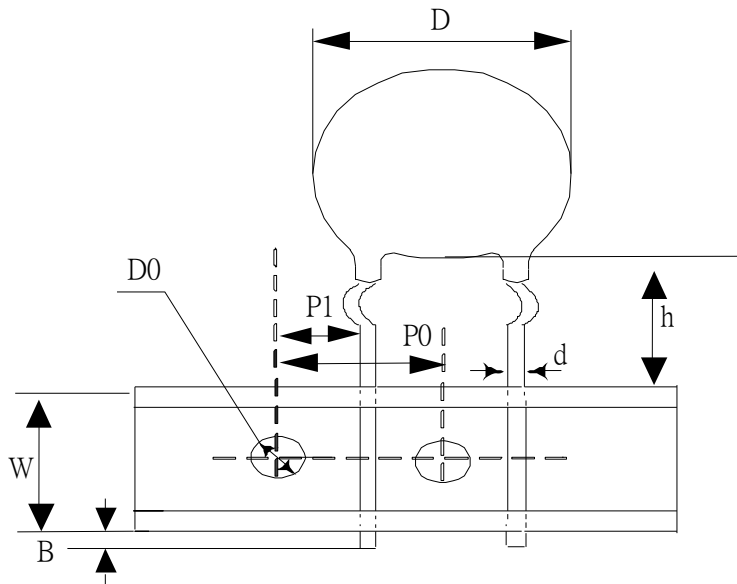
Warehouse Storage Conditions of Products

(I) Storage Conditions :

- 1.Storage Temperature : -10°C~+40°C
- 2.Relative Humidity : $\leq 75\%RH$
- 3.Keep away from corrosive atmosphere and sunlight.

(II) Period of Storage : 1 year

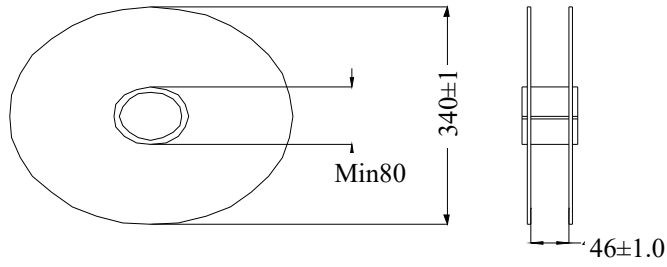
Taping and Dimensions



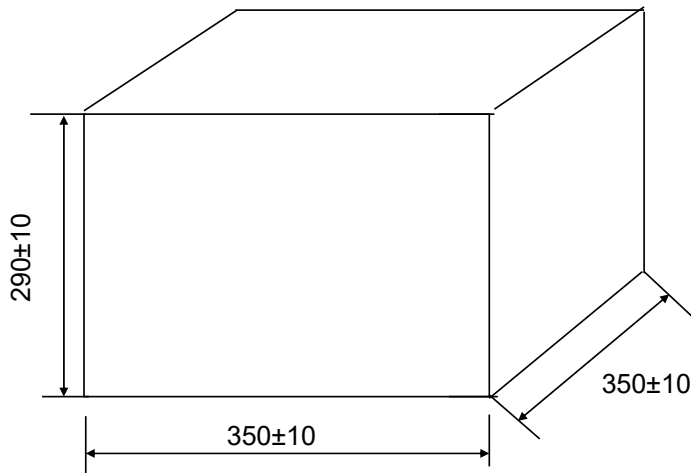
| ITEM. | P0 | P1 | h | W | B | d | D0 |
|-------|------|------|------|----|-----|-------|-------|
| Nor. | 12.7 | 8.55 | 15.5 | 18 | 1 | 0.8 | 4 |
| ToL. | ±1 | ±1 | ±1 | ±1 | max | ±0.02 | ±0.02 |

Packaging

(1) SPQ: 500 Pcs/ Reel



(2) Outer Box: 4Reels/ Carton



(Unit:mm)

Safety Approvals (Certified Model/Type :TVR14621)

- * UL 1449 4th / cUL recognized (File # E314979)
- UL1449 (file number E314979) for use in SPD Type 5



- * TUV recognized (File J50411784)



- *CSA 22.2 recognized (File # 97495)



- *VDE IEC 61051-1:2007/IEC 61051-2:1991/ IEC 61051-2-2:1991
DIN EN 61051-1:2009/IEC 61051-2 AMD1:2009
IEC 62368-1:2018 G.8.1 recognized(File # 5944)



- * CQC GB/T10193-1997 ` GB/T10194-1997 recognized
(File # CQC18001199842/ CQC18001198951)

Certificates

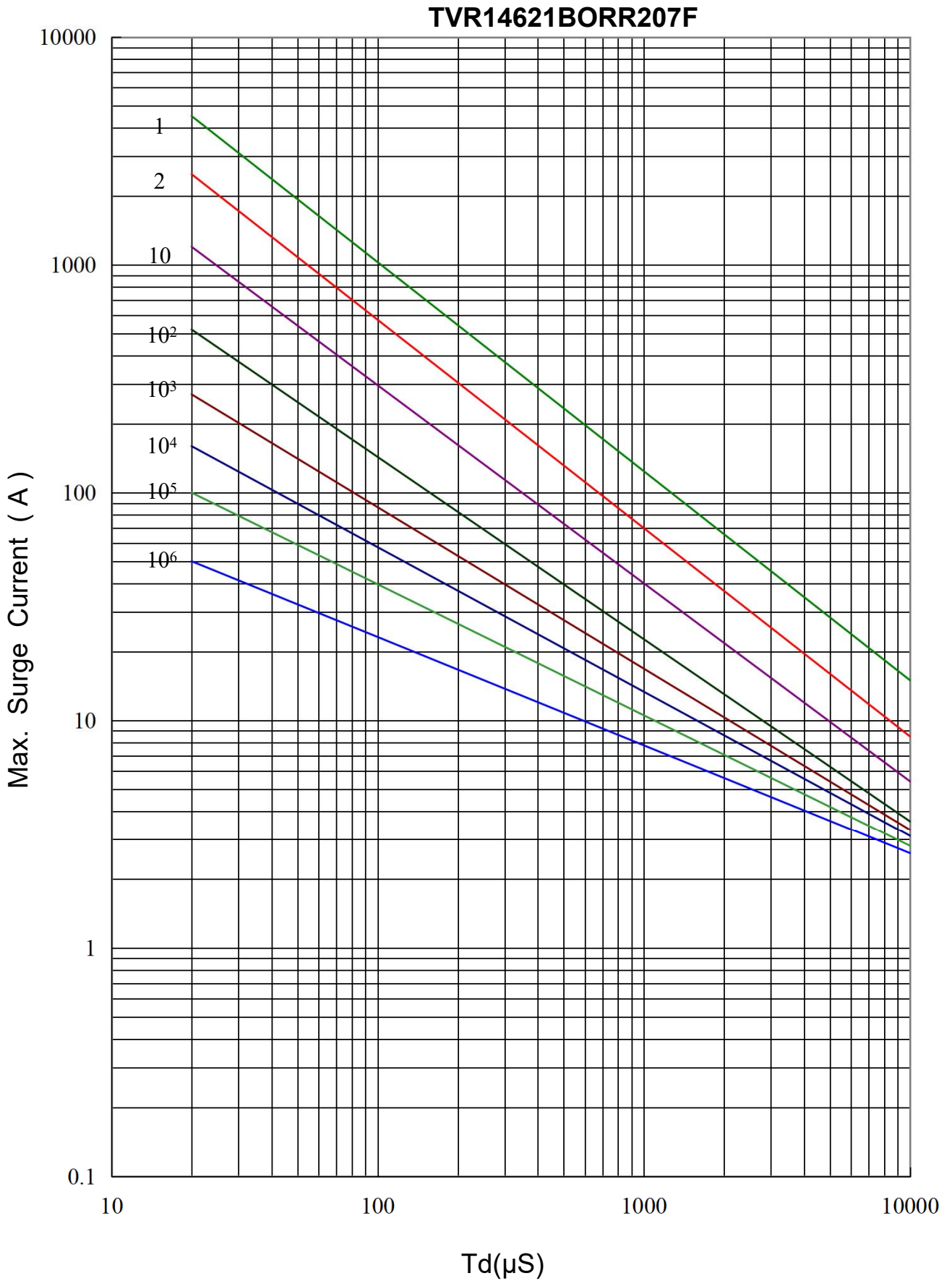
- (1) IATF 16949 certificate
- (2) ISO 9001 certificate

Test Report

- (1) RoHS test report
- (2) Halogen-free test report

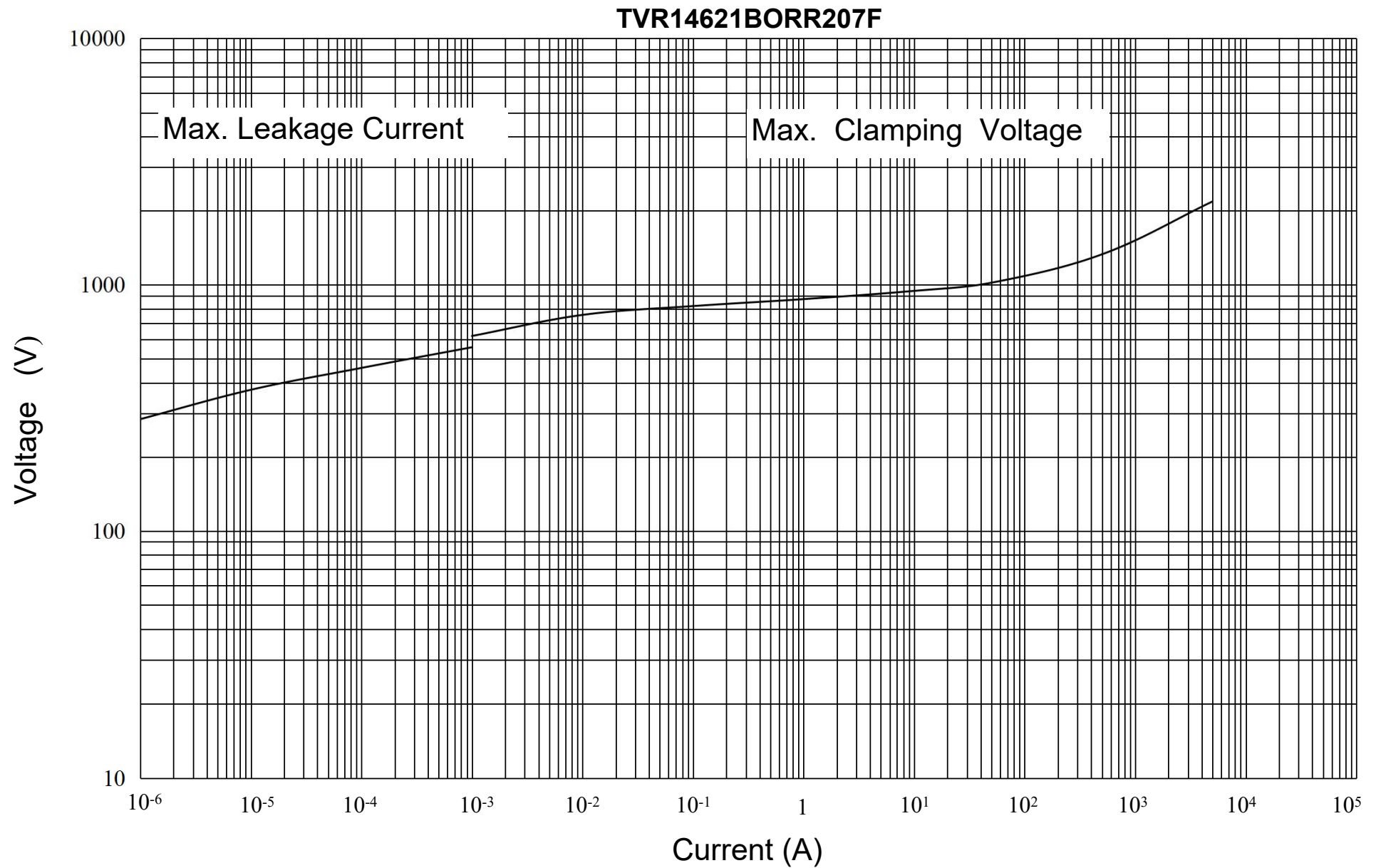


Max. Surge Current Derating Curves





Max. Leakage Current and Max. Clamping Voltage Curve



X-ON Electronics

Largest Supplier of Electrical and Electronic Components

Click to view similar products for [Varistors](#) category:

Click to view products by [TKS](#) manufacturer:

Other Similar products are found below :

[R71ZOV151HC](#) [B72205S271K111](#) [B72214S251K151](#) [NTE1V020](#) [NTE1V130](#) [25FN511K](#) [S10K11G5S5](#) [ERZ-C14DK361U](#) [ERZ-C20DK221U](#) [207869-1](#) [AS-13](#) [B72540E 350K 62](#) [B72590D360A60](#) [B72650M301K93](#) [B72670M1140K72](#) [TVZ18EC271KBS](#) [TVZ20EB911KBS](#) [TVZ25D201KBS](#) [TVZ25D241KBS](#) [VDRH20X230BSE](#) [VZ07D220KBS](#) [VZ40D241KQ-N](#) [VZ40D241K](#) [VZ25D511KBS-N](#) [VZ20E511KBSX](#) [VZ20E221KBSX](#) [VZ10D471KBS-N](#) [20A9FN241K](#) [B72650M350K72](#) [TVZ25D301KBS](#) [TVZ20EC911KBS](#) [TVZ20EBN911KBS](#) [TVZ18EC471KBS](#) [B72220S350K101](#) [NTE1V030](#) [NTE1V275](#) [NTE2V015](#) [NTE2V035](#) [NTE2V115](#) [VZ20D391KBS-N](#) [VZ10D241KBS-N](#) [VZ07D390KBS-N](#) [VDRH14V060TSE](#) [VDRH20X300BKE](#) [V300LT4PX1841](#) [NTE1V017](#) [NTE1V115](#) [NTE1V150](#) [NTE1V300](#) [NTE2V025](#)