



THINKING ELECTRONIC INDUSTRIAL CO., LTD.

HEAD OFFICE: 12F, No.93, Dashun 1st Rd., Zuoying Dist., Kaohsiung, Taiwan

TEL: 886-7-5577660 FAX: 886-7-5570560

MANUFACTURING SITE

- KAOHSIUNG FACTORY 1: No. 51, Kaifa Rd., N.E.P.Z, Kaohsiung City 81170, Taiwan
TEL: 886-7-9616668 FAX: 886-7-9616698
- KAOHSIUNG FACTORY 2: No. 2-2, Xinjian S. Rd., N.E.P.Z., Kaohsiung City 81170, Taiwan
TEL: 886-7-9630001 FAX: 886-7-3635113
- CHANGZHOU FACTORY: No.6 Longmen Rd., Wujin High & New-Tech Industrial
Development Zone, Changzhou, Jiangsu, China 213161
TEL: 86-519-86578999 FAX: 86-519-86558643
- DONG GUAN FACTORY: No.45, East Rd., Sha-Tao Dist., Chang-An Town,
Dongguan City, Guangdong, China 523863
TEL: 86-769-85542016 FAX: 86-769-85546890
- YICHANG FACTORY: No. 283 Xiaoting Avenue, Xiaoting Dist., Yichang
City 443007, Hubei, China
TEL: 86-717-6510010 FAX: 86-717-6511430



SPECIFICATION FOR APPROVAL

CUSTOMER _____

CERTIFIED
MODEL/TYPE

TVR20911

PART NO.

TVR20911KSU04Y(RoHS+HF)

APPLICATION _____

CUSTOMER P/N _____

ISSUE DATE

Dec.23.2021

REV. NO. _____

REV. DATE _____

| FOR CUSTOMER APPROVAL | CHECKED BY |
|-----------------------|----------------|
| | Yuan Yuan |
| | APPROVED BY |
| | Huaifang Zhang |





REVISED RECORD SHEET

| REV. NO | REV. DATE | REVISED CONTENT |
|---------|-----------|-----------------|
| | | |



| INDEX | Page |
|--|-------------|
| ■ Part Number Code | 1 |
| ■ Structure and Dimensions | 2 |
| ■ Electrical Characteristics | 2 |
| ■ Reliability | 3 ~ 4 |
| ■ Soldering Recommendation | 5 |
| ■ Power Derating Curve | 6 |
| ■ RoHS Compliant Declaration | 6 |
| ■ Warehouse Storage Conditions of Products | 6 |
| ■ Safety Approvals | 7 |
| ■ Certificates | 7 |
| ■ Max. Surge Current Derating Curves | 8 |
| ■ Max. Leakage Current and Max. Clamping Voltage Curve | 9 |

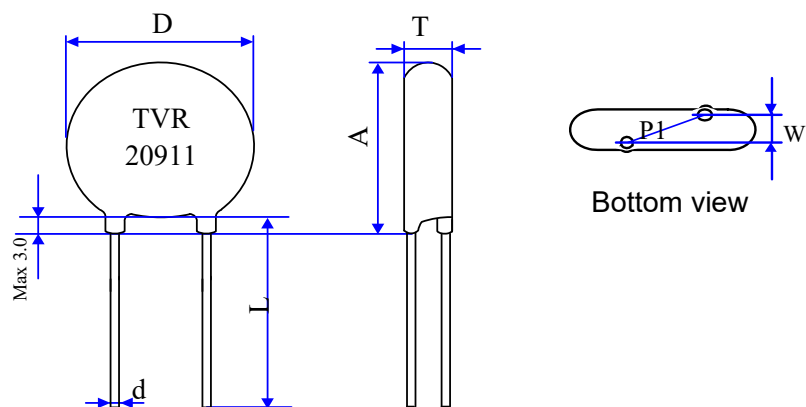
Part Number Code

Example :

TVR **20** **911** **K** **S** **U04Y**
(1) (2) (3) (4) (5) (6)

| No. | Item | Digit | Specification |
|-----|-------------------------------|-------|--|
| (1) | Product Type | TVR | Thinking varistor TVR type |
| (2) | Body Size | 20 | φ 20 mm |
| (3) | Varistor Voltage | 911 | $91 \times 10^1 \text{ V} = 910\text{V} (V_{1\text{mA}})$ |
| (4) | Tolerance of $V_{1\text{mA}}$ | K | ±10% |
| (5) | Appearance | S | Straight lead , epoxy coating |
| (6) | Optional Suffix | U04Y | 1.RoHS+HF compliance 2.Amax:23mm,D:18.5-21.5mm 3.Surge life test refer to Page 4 |

Structure and Dimensions



(unit : mm)

| Body Size | D | P 1 | d | A max. | L min. | T | W |
|-----------|-----------|--------|-----------|--------|--------|---------|---------|
| φ 20 | 18.5~21.5 | 10.0±1 | 1.00±0.02 | 23.0 | 22.5 | 5.7~7.6 | 3.9±1.0 |

***Coating material rating:UL 94 V-0**

Electrical Characteristics (Ambient $T_a=25\text{ }^\circ\text{C}$)

| Part No. | Varistor Voltage (@ 1mA DC) | Max. Continuous Voltage | | Max. Clamping Voltage (8/20μS) | | Max. Surge Current (8/20μS) |
|----------------|-----------------------------|-------------------------|--------------|--------------------------------|-----------|-----------------------------|
| | V_{1mA} (V) | $V_{AC(rms)}$ (V) | V_{DC} (V) | V_p (V) | I_p (A) | I (A) |
| TVR20911KSU04Y | 910 ± 10 % | 550 | 745 | 1500 | 100 | 10000 |

| Part No. | Max. Energy (10/1000μS) | Rated Power | Impulse Response Time | Max. Leakage Current at 75% V_{1mA} | Operating Temperature Range | Storage temperature Range |
|----------------|-------------------------|-------------|-----------------------|---------------------------------------|-----------------------------|---------------------------|
| | W (J) | P (W) | nSec | $I_L(\mu A)$ | ($^\circ\text{C}$) | ($^\circ\text{C}$) |
| TVR20911KSU04Y | 310 | 1 | <25 | 20 | -40 ~ +105 | -40 ~ +125 |

Reliability

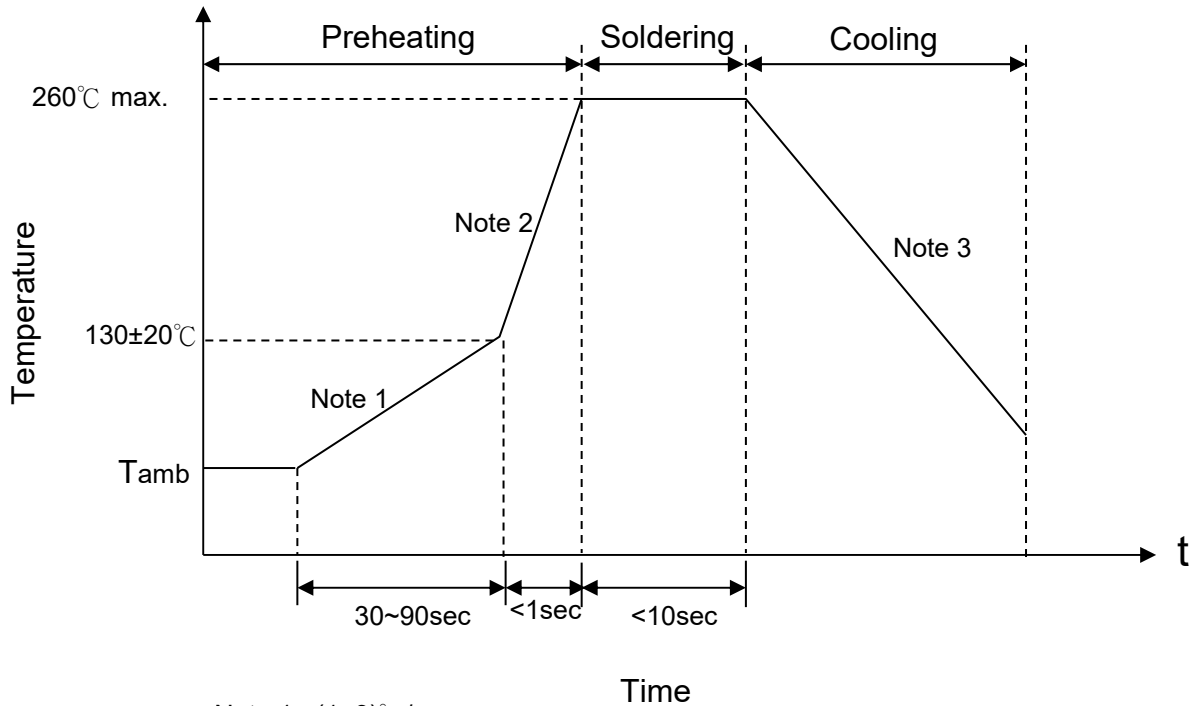
| Item | Standard | Test conditions / Methods | Specifications | | | | | | | | | | | | | | | |
|-------------------------------|------------------------|--|---|------------------|------------------|-----|------------|--------|--------|------------------|---|---|---------|--------|---|------------------|-------|---|
| Tensile Strength of Terminals | IEC60068-2-21 | Gradually applying the force specified and keeping the unit fixed for 10±1 sec. <table style="margin-left: auto; margin-right: auto;"> <tr> <td style="text-align: center;">Terminal diameter (mm)</td> <td style="text-align: center;">Force (Kg)</td> </tr> <tr> <td style="text-align: center;">0.5<d≤0.8</td> <td style="text-align: center;">1.0</td> </tr> <tr> <td style="text-align: center;">0.8<d≤1.25</td> <td style="text-align: center;">2.0</td> </tr> <tr> <td style="text-align: center;">1.25<d</td> <td style="text-align: center;">4.0</td> </tr> </table> | Terminal diameter (mm) | Force (Kg) | 0.5<d≤0.8 | 1.0 | 0.8<d≤1.25 | 2.0 | 1.25<d | 4.0 | No visible damage $\Delta V/V_{1mA}$ ≤5% | | | | | | | |
| Terminal diameter (mm) | Force (Kg) | | | | | | | | | | | | | | | | | |
| 0.5<d≤0.8 | 1.0 | | | | | | | | | | | | | | | | | |
| 0.8<d≤1.25 | 2.0 | | | | | | | | | | | | | | | | | |
| 1.25<d | 4.0 | | | | | | | | | | | | | | | | | |
| Bending Strength of Terminals | IEC60068-2-21 | Hold specimen and apply the force specified below to each lead. Bend the specimen to 90°, then return to the original position. Repeat the procedure in the opposite direction. <table style="margin-left: auto; margin-right: auto;"> <tr> <td style="text-align: center;">Terminal diameter (mm)</td> <td style="text-align: center;">Force (Kg)</td> </tr> <tr> <td style="text-align: center;">0.5<d≤0.8</td> <td style="text-align: center;">0.5</td> </tr> <tr> <td style="text-align: center;">0.8<d≤1.25</td> <td style="text-align: center;">1.0</td> </tr> <tr> <td style="text-align: center;">1.25<d</td> <td style="text-align: center;">2.0</td> </tr> </table> | Terminal diameter (mm) | Force (Kg) | 0.5<d≤0.8 | 0.5 | 0.8<d≤1.25 | 1.0 | 1.25<d | 2.0 | No visible damage $\Delta V/V_{1mA}$ ≤5% | | | | | | | |
| Terminal diameter (mm) | Force (Kg) | | | | | | | | | | | | | | | | | |
| 0.5<d≤0.8 | 0.5 | | | | | | | | | | | | | | | | | |
| 0.8<d≤1.25 | 1.0 | | | | | | | | | | | | | | | | | |
| 1.25<d | 2.0 | | | | | | | | | | | | | | | | | |
| Vibration | IEC 60068-2-6 | Frequency range:10~55Hz Amplitude:0.75mm or 98m/S ² Direction:3 mutually perpendicular directions,2hrs each. | $\Delta V/V_{1mA}$ ≤5% No visible damage | | | | | | | | | | | | | | | |
| Solderability | IEC60068-2-20 | 245 ± 3 °C , 3 ± 0.3 sec | At least 95% of terminal electrode is covered by new solder | | | | | | | | | | | | | | | |
| Resistance to Soldering Heat | IEC60068-2-20 | 260 ± 3 °C , 10 ± 1 sec | No visible damage $\Delta V/V_{1mA}$ ≤5% | | | | | | | | | | | | | | | |
| High Temperature Storage | IEC60068-2-2 | 125 ± 5 °C , 1000 ± 24 hrs | No visible damage $\Delta V/V_{1mA}$ ≤5% | | | | | | | | | | | | | | | |
| Damp Heat, Steady State | IEC 60068-2-78 | The test is divided into two groups . a.40 ± 2°C , 90 ~ 95 % RH , 1344 hrs b.40 ± 2°C , 90 ~ 95 % RH , at 10%V _{DC} , 1344 hrs | No visible damage $\Delta V/V_{1mA}$ ≤10% Insulation Resistance ≥ 100MΩ | | | | | | | | | | | | | | | |
| Rapid Change of Temperature | IEC60068-2-14 | The conditions shown below shall be repeated 5 cycles <table border="1" style="margin-left: auto; margin-right: auto;"> <thead> <tr> <th>Step</th> <th>Temperature (°C)</th> <th>Period (minutes)</th> </tr> </thead> <tbody> <tr> <td style="text-align: center;">1</td> <td style="text-align: center;">-40 ± 3</td> <td style="text-align: center;">30 ± 3</td> </tr> <tr> <td style="text-align: center;">2</td> <td style="text-align: center;">Room temperature</td> <td style="text-align: center;">5 ± 3</td> </tr> <tr> <td style="text-align: center;">3</td> <td style="text-align: center;">105 ± 2</td> <td style="text-align: center;">30 ± 3</td> </tr> <tr> <td style="text-align: center;">4</td> <td style="text-align: center;">Room temperature</td> <td style="text-align: center;">5 ± 3</td> </tr> </tbody> </table> | Step | Temperature (°C) | Period (minutes) | 1 | -40 ± 3 | 30 ± 3 | 2 | Room temperature | 5 ± 3 | 3 | 105 ± 2 | 30 ± 3 | 4 | Room temperature | 5 ± 3 | No visible damage $\Delta V/V_{1mA}$ ≤5% |
| Step | Temperature (°C) | Period (minutes) | | | | | | | | | | | | | | | | |
| 1 | -40 ± 3 | 30 ± 3 | | | | | | | | | | | | | | | | |
| 2 | Room temperature | 5 ± 3 | | | | | | | | | | | | | | | | |
| 3 | 105 ± 2 | 30 ± 3 | | | | | | | | | | | | | | | | |
| 4 | Room temperature | 5 ± 3 | | | | | | | | | | | | | | | | |
| High Temp. Load | MIL-STD-202 Method 108 | 105 ± 2 °C , 1000 ± 24 hrs, at V _{DC} or V _{rms} (Max. Operating Voltage) | $\Delta V/V_{1mA}$ ≤10% No visible damage | | | | | | | | | | | | | | | |



| Item | Standard | Test conditions / Methods | Specifications |
|---|---------------------------|---|---|
| 8/20 μ S Surge Life | IEC 61051-1 4.6 | 10 pulses(8/20 μ S) , unipolar, interval 30 secs,amplitude corr. to max. Surge current derating curves for 20 μ S. | $ \Delta V/V_{1mA} \leq 10\%$ No visible damage |
| 10/1000 μ S Surge Life | IEC 61051-1 4.6 | 10/1000 μ S waveform, 10 surge currents,unipolar,interval 2mins, amplitude corr. to max. surge current derating curves for 1000 μ S | $ \Delta V/V_{1mA} \leq 10\%$ No visible damage |
| Varistor Voltage Temp. Coefficient | Specification Standard | $\frac{V_{1mA} \text{ at } 105^{\circ}\text{C} - V_{1mA} \text{ at } 25^{\circ}\text{C}}{V_{1mA} \text{ at } 25^{\circ}\text{C}} \times \frac{1}{80} \times 100 (\% / ^{\circ}\text{C})$ $\frac{V_{1mA} \text{ at } -40^{\circ}\text{C} - V_{1mA} \text{ at } 25^{\circ}\text{C}}{V_{1mA} \text{ at } 25^{\circ}\text{C}} \times \frac{1}{65} \times 100 (\% / ^{\circ}\text{C})$ | $-0.05 \leq TC \leq 0.05 (\% / ^{\circ}\text{C})$ |
| Voltage Proof | IEC 61051-1 4.9 | Metal balls method, 2500 Vac 1 min | No visible damage |
| Surge life test | Specification Standard | 10KV/5KA,Coupled with 550Vac,Interval 60S ,40times (at phase angle of 0 degree,90 degrees,180 degrees,and 270 degrees) | No visible damage |

Soldering Recommendation

■ Wave Soldering Profile



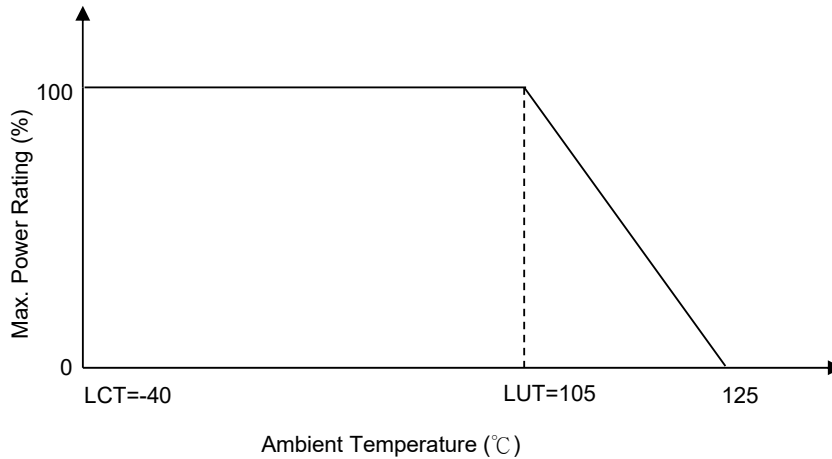
- Note 1 : (1~3)°C/sec
- Note 2 : Approx. 200°C/sec
- Note 3 : 5°C/sec Max

■ Recommended Reworking Conditions with Soldering Iron

| Item | Conditions |
|-----------------------------------|--------------|
| Temperature of Soldering Iron-tip | 360°C (max.) |
| Soldering Time | 3 sec (max.) |
| Distance from Varistor | 2 mm (min.) |

Power Derating Curve

When operating temperature exceeds 105°C, the power, the Max.continuous operation Voltage,the Max.Surge Current and the Max.Energy should be derated as below figure, the derated coefficient is -5%.



RoHS Compliant Declaration

We hereby declare that the components delivered to your company are compliant with RoHS directive 2015/863/EU.

Warehouse Storage Conditions of Products

(I) Storage Conditions :

- 1.Storage Temperature : -10°C ~+40°C
- 2.Relative Humidity : $\leq 75\%RH$
- 3.Keep away from corrosive atmosphere and sunlight.

(II) Period of Storage : 1 year

Safety Approvals (Certified Model/Type:TVR20911)

- * UL 1449 4th / cUL recognized (File # E314979)
- UL1449 (file number E314979) for use in SPD Type 5



- * TUV recognized (File J50411784)



- *VDE IEC 61051-1:2007/IEC 61051-2:1991/ IEC 61051-2-2:1991
DIN EN 61051-1:2009/IEC 61051-2 AMD1:2009
IEC 62368-1:2018 G.8.1 recognized(File # 5944)



- * CQC GB/T10193-1997 ` GB/T10194-1997 recognized
(File #CQC18001199807/ CQC18001198952)

Certificates

- (1) IATF 16949 certificate
- (2) ISO 9001 certificate

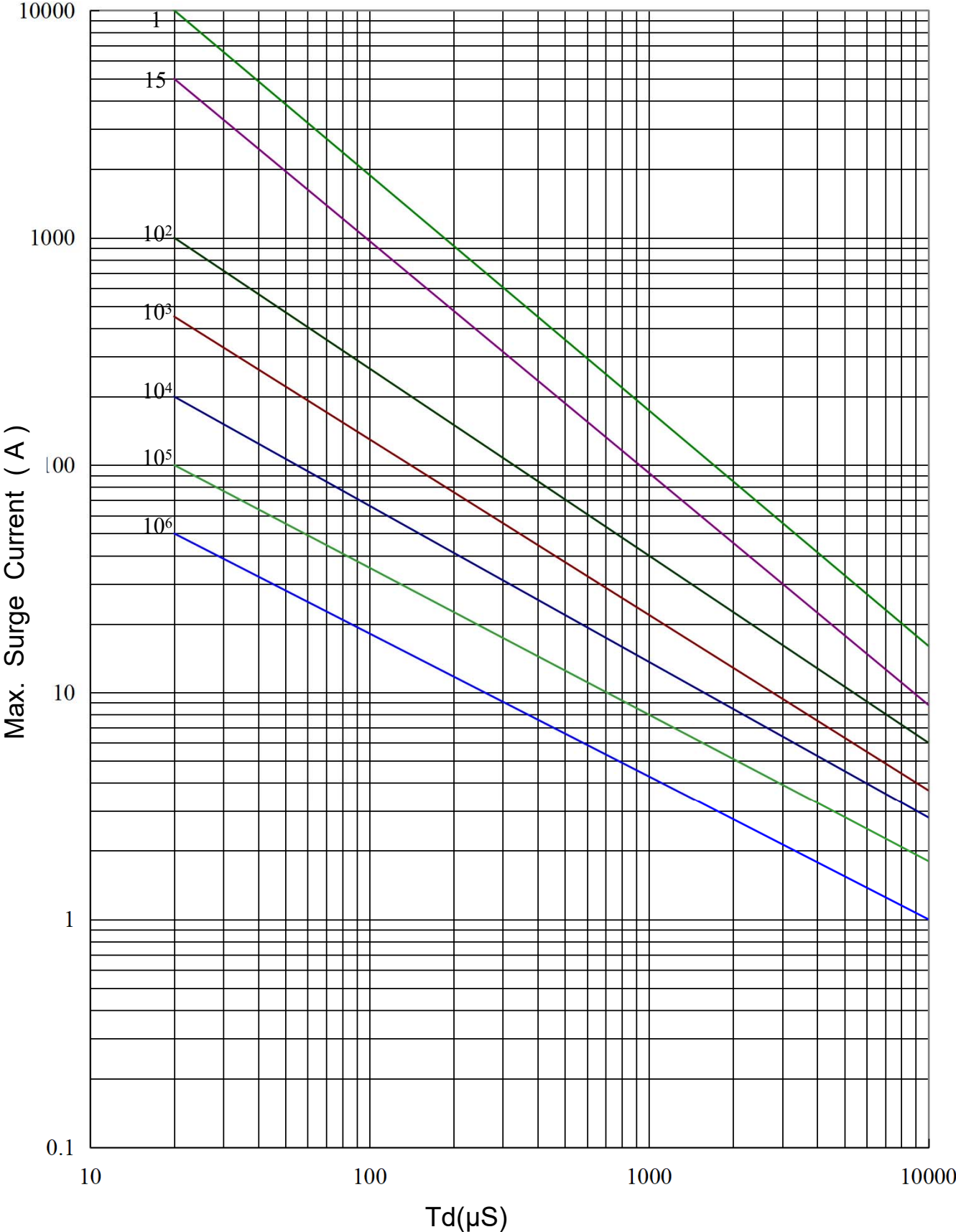
Test Report

- (1) RoHS test report
- (2) Halogen-free test report



Max. Surge Current Derating Curves

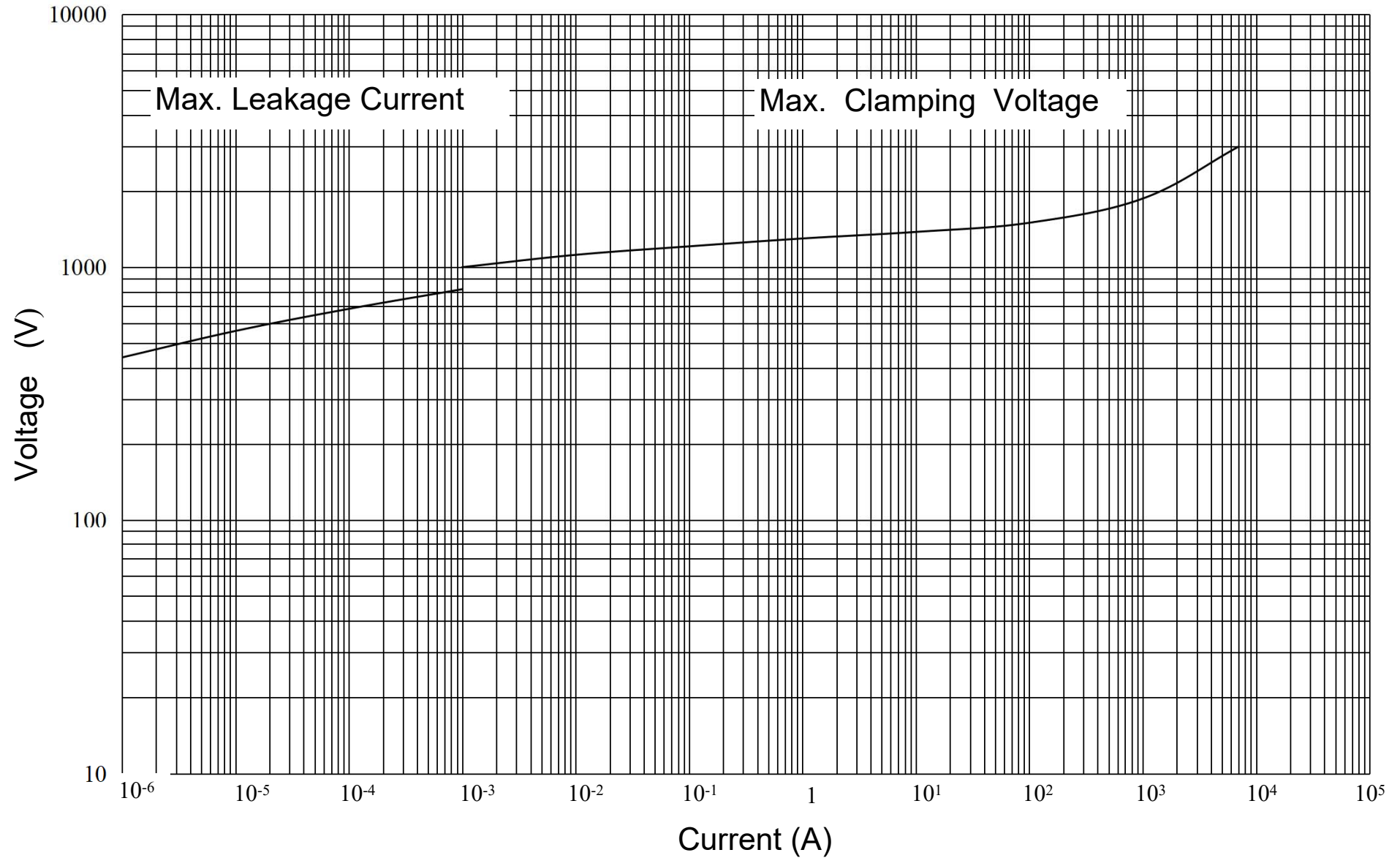
TVR20911KSU04Y





Max. Leakage Current and Max. Clamping Voltage Curve

TVR20911KSU04Y



X-ON Electronics

Largest Supplier of Electrical and Electronic Components

Click to view similar products for [Varistors](#) category:

Click to view products by [TKS](#) manufacturer:

Other Similar products are found below :

[R71ZOV151HC](#) [B72205S271K111](#) [B72214S251K151](#) [NTE1V020](#) [NTE1V130](#) [25FN511K](#) [S10K11G5S5](#) [ERZ-C14DK361U](#) [ERZ-C20DK221U](#) [207869-1](#) [AS-13](#) [B72540E 350K 62](#) [B72590D360A60](#) [B72650M301K93](#) [B72670M1140K72](#) [TVZ18EC271KBS](#) [TVZ20EB911KBS](#) [TVZ25D201KBS](#) [TVZ25D241KBS](#) [VDRH20X230BSE](#) [VZ07D220KBS](#) [VZ40D241KQ-N](#) [VZ40D241K](#) [VZ25D511KBS-N](#) [VZ20E511KBSX](#) [VZ20E221KBSX](#) [VZ10D471KBS-N](#) [20A9FN241K](#) [B72650M350K72](#) [TVZ25D301KBS](#) [TVZ20EC911KBS](#) [TVZ20EBN911KBS](#) [TVZ18EC471KBS](#) [B72220S350K101](#) [NTE1V030](#) [NTE1V275](#) [NTE2V015](#) [NTE2V035](#) [NTE2V115](#) [VZ20D391KBS-N](#) [VZ10D241KBS-N](#) [VZ07D390KBS-N](#) [VDRH14V060TSE](#) [VDRH20X300BKE](#) [V300LT4PX1841](#) [NTE1V017](#) [NTE1V115](#) [NTE1V150](#) [NTE1V300](#) [NTE2V025](#)