

600mA, High PSRR, Fast Response LDO Regulators

FEATURES

- 2.5V to 5.5V Input Voltage Range
- 600mV @600mA Dropout Voltage
- Excellent Transient Response
- Stable with 1 μ F Ceramic Output Capacitor
- 60dB PSRR at 1kHz
- Low 75 μ A Quiescent Current
- Low Shutdown Current: <1 μ A
- Output Accuracy: \pm 2%
- Adjustable Output Voltage: 0.8V~5V
- Current Limit Protection
- Thermal Shutdown
- Output Auto-Discharge in Shutdown
- RoHS Compliant and 100% Lead (Pb)-Free Halogen-Free

APPLICATIONS

- Cellular Phones
- Bluetooth portable radios and Accessories
- Battery-Powered Equipment
- Laptop, Palmtops, Notebook Computer
- PDAs
- Digital still Camera and Video Recorders

GENERAL DESCRIPTION

The TMI6050 is a 600mA, low-dropout (LDO) linear regulator with fast transient response and high PSRR. It offers high output accuracy, low dropout voltage and low quiescent current as well as fast start-up time. This regulator is based on a CMOS process.

The TMI6050 is designed to work with low-ESR ceramic capacitors, reducing the amount of the PCB area necessary for power applications. Only a 1 μ F ceramic output capacitor can make the device stable over the whole load range current (0mA to 600mA).

The output voltage of TMI6050 output adjustable version can be set by an external resistor divider. When the FB pin is connected to an external resistor divider, its output can be adjusted from 0.8V to 5V. Other key features include over-current protection and thermal shutdown. The TMI6050 is packaged in SOT23-5 packages.

TYPICAL APPLICATION

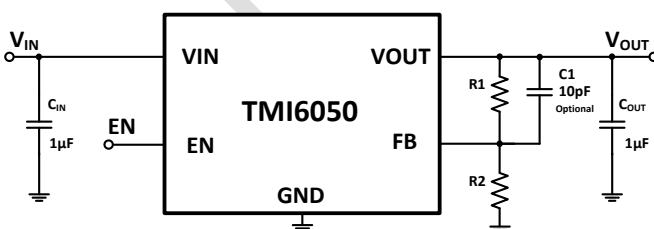


Figure 1. TMI6050 adjustable output Circuit

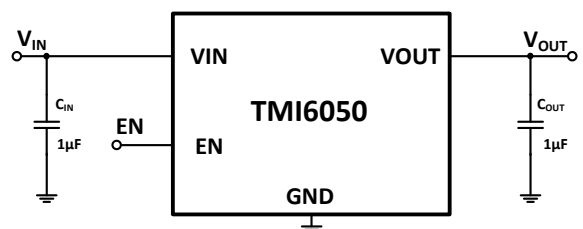


Figure 2. TMI6050 fixed output Circuit

BLOCK DIAGRAM

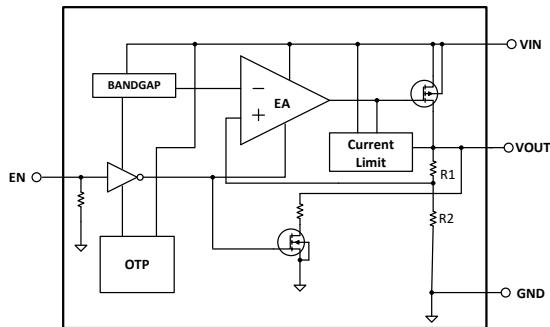


Figure 3. TMI6050 adjustable function block

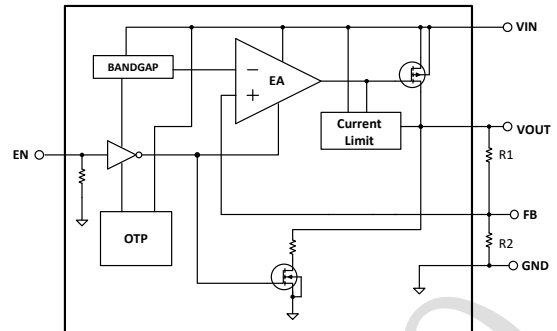


Figure 4. TMI6050 fixed function block

ABSOLUTE MAXIMUM RATINGS

| Description | Value | Unit |
|--|-------------------|------|
| VIN, EN Input Voltage Range | -0.3~6 | V |
| All other pins Voltage Range | -0.3 to (VIN+0.3) | V |
| Junction Temperature | 160 | °C |
| Storage Temperature Range | -65~150 | °C |
| Junction-to-ambient Thermal Resistance | 250 | °C/W |
| Lead Temperature Soldering, 10Sec | 260 | °C |

ESD RATINGS

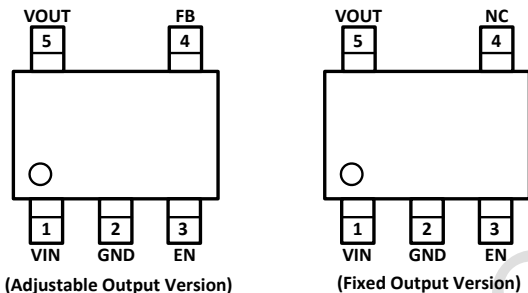
| Items | Description | Value | Unit |
|------------------|-------------------------------|-------|------|
| V _{ESD} | Human Body Model for all pins | ±2000 | V |

JEDEC specification JS-001

RECOMMEND OPERATING CONDITIONS

| Items | Description | Min | Max | Unit |
|----------------|--------------------------------|-----|-----|------|
| Voltage Range | IN | 2.5 | 5.5 | V |
| T _J | Operation Junction Temperature | -40 | 125 | °C |

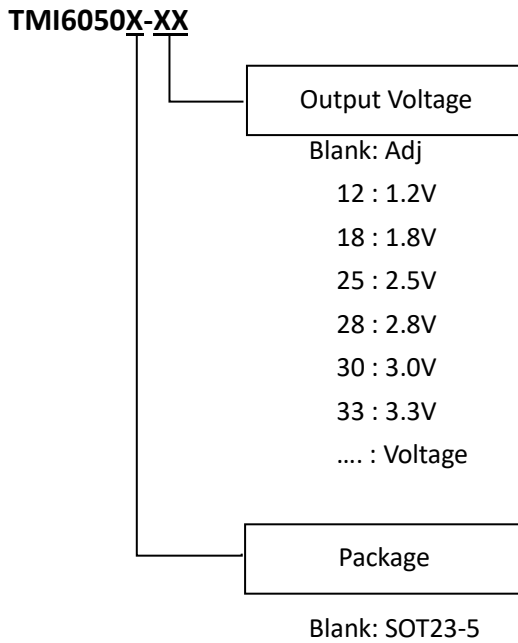
PIN CONFIGURATION

| Package Type | Pin Configurations |
|-------------------|---|
| TMI6050 / SOT23-5 |  <p>(Adjustable Output Version) (Fixed Output Version)</p> |

PIN FUNCTIONS

| TMI6050 | Name | Function |
|---------|-------|---|
| 1 | VIN | Input Supply of the LDO. |
| 2 | GND | Signal Ground. |
| 3 | EN | Enable Pin. Connect this pin to ground or less than 0.4V to disable the device, connect EN to 1.5V or above to enable the device. This pin should not be floated. |
| 4 | NC/FB | Feedback Pin for adjustable output version NC for fixed output version |
| 5 | VOUT | Output of the LDO |

ORDER INFORMATION



Top Mark: TEXXXX (TEX: Device Code, XXX: Inside code)

| Part Number | Package | Top Mark | Quantity/ Reel |
|-------------|---------|----------|----------------|
| TMI6050 | SOT23-5 | TEAXXX | 3000 |
| TMI6050-12 | SOT23-5 | TEBXXX | 3000 |
| TMI6050-18 | SOT23-5 | TECXXX | 3000 |
| TMI6050-25 | SOT23-5 | TEDXXX | 3000 |
| TMI6050-28 | SOT23-5 | TEEXXX | 3000 |
| TMI6050-30 | SOT23-5 | TEFXXX | 3000 |
| TMI6050-33 | SOT23-5 | TEGXXX | 3000 |

TMI6050 devices are Pb-free and RoHS compliant.

ELECTRICAL CHARACTERISTICS
 $T_A=25^{\circ}\text{C}$, $V_{IN}=V_{OUT}+1\text{V}$, or $V_{IN}=2.5\text{V}$ for $V_{OUT}<1.5\text{V}$ unless otherwise specified.

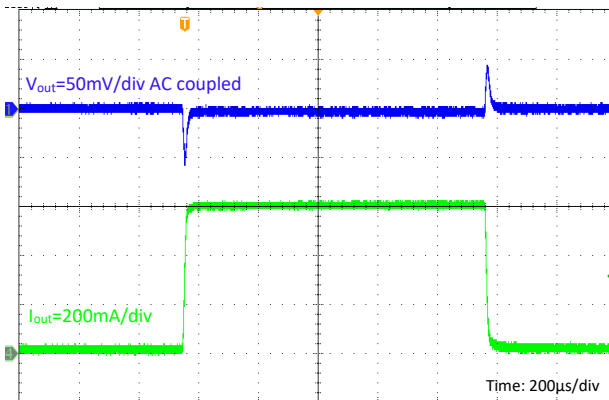
| Symbol | Parameter | conditions | Min | Typ | Max | Unit |
|-----------------------|-------------------------------------|---|-------|------|-------|--------------------|
| Input Voltage | | | | | | |
| V_{IN} | Input Voltage Range | | 2.5 | | 5.5 | V |
| I_Q | Quiescent Current | $V_{EN}=2.5\text{V}$, $I_{OUT}=0\text{mA}$ | 60 | | 90 | μA |
| I_{SHDN} | Shutdown Current | $V_{EN}=0\text{V}$ | | 0.1 | 1 | μA |
| PSRR | Power Supply Ripple Rejection | $V_{IN}=V_{nom}+1V_{p-p}$, $f=1\text{kHz}$, $I_{LOAD}=10\text{mA}$ | | 60 | | dB |
| Enable | | | | | | |
| V_{ENH} | Enable Input High Voltage | All temperature range | 1.5 | | | V |
| V_{ENL} | Enable Input Low Voltage | All temperature range | | | 0.4 | V |
| I_{EN} | EN Input Current | $V_{IN}=3.5\text{V}$, $V_{EN}=3.5\text{V}$ or 0V | -1 | 0.2 | 1 | μA |
| T_{ST} | Start-up Time | $V_{IN}=3.5\text{V}$, $V_{OUT}=2.5\text{V}$ | | 40 | | μs |
| Output Voltage | | | | | | |
| V_{OUT} | Output Voltage Accuracy | $V_{IN}=V_{OUT}+1\text{V}$, $I_{OUT}=10\text{mA}$ | -2 | | +2 | % |
| | | $V_{IN}=V_{OUT}+1\text{V}$, $I_{OUT}=10\text{mA}$, $T_A=-40^{\circ}\text{C}$ to $+85^{\circ}\text{C}$ | -3 | | +3 | % |
| V_{FB} | FB Pin Voltage | | 0.786 | 0.8 | 0.816 | V |
| V_{LNR} | Output Line Regulation | $V_{OUT}+0.5\text{V}<V_{IN}<5.5\text{V}$, $I_{OUT}=10\text{mA}$ | | 0.01 | 0.1 | %/V |
| V_{LDR} | Output Load Regulation | $1\text{mA}<I_{OUT}<500\text{mA}$, $V_{IN}=V_{NOM}+1.0\text{V}$ | | 3 | 6 | mV |
| V_{DROP} | Dropout Voltage ^(Note 1) | $I_{OUT}=600\text{mA}$ (Applied for $V_{OUT}\geq 2.3\text{V}$) | | 600 | 700 | mV |
| I_{OUTMAX} | Maximum Output Current | | 600 | | | mA |
| Protection | | | | | | |
| I_{limit} | Current Limit | | 650 | 800 | | mA |
| R_{AD} | Resistance of Auto-Discharge | | | 130 | | Ω |
| T_{SD} | Thermal Shutdown Temperature | No Load, $V_{IN}=V_{EN}=5\text{V}$ | | 155 | | $^{\circ}\text{C}$ |
| T_{SDHYS} | Thermal Shutdown Hysteresis | No Load, $V_{IN}=V_{EN}=5\text{V}$ | | 30 | | $^{\circ}\text{C}$ |

Note 1: Dropout is defined as $V_{IN}-V_{OUT}$ when V_{OUT} is 2% below the value of V_{OUT} for $V_{IN}=V_{OUT}+0.5\text{V}$.

TYPICAL PERFORMANCE CHARACTERISTICS

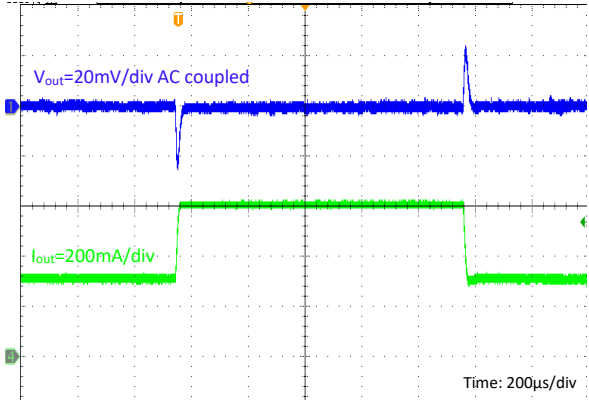
Load Transient

Vin=4V, Vo=3.3V, Io=10mA to 600mA



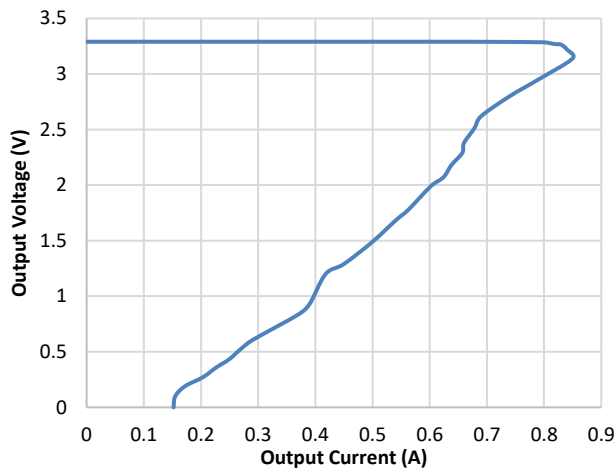
Load Transient

Vin=4V, Vo=3.3V, Io=300mA to 600mA



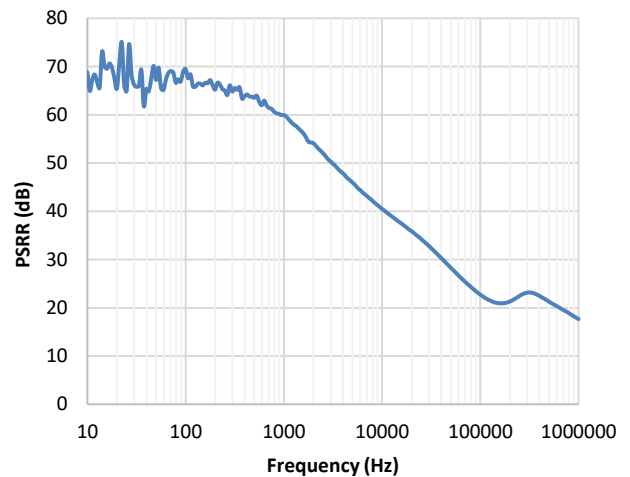
Over Current Protection

Vin=5V, Vo=3.3V, Ta=25°C



PSRR vs Frequency

Vin=5V, Vo=3.3V, Io=10mA, Ta=25°C



Detailed Function Description

The TMI6050 is a high output current, low dropout linear regulator with fast transient response and high PSRR. It offers high output accuracy, low quiescent current and fast start-up time. It is designed to work with low-ESR ceramic capacitor, reducing the amount of the PCB area. Only a 1µF ceramic output capacitor can make the device stable over the whole load range.

As shown in the function block diagram, the TMI6050 is composed of the bandgap reference voltage, the error amplifier, P-channel MOSFET pass transistor, external resistor divider and some additional protection circuits. The reference voltage, connected to the cathode terminal of the error amplifier, compares with the feedback voltage to regulate the output voltage to make it constant over the whole load current range. If the feedback voltage is lower than the reference voltage, the pass transistor gate is pulled lower to increase its conductivity. This allows more current to flow to the output and increase the output voltage. If the feedback voltage is higher than the reference voltage, the pass transistor gate is pulled higher to decrease

its conductivity. This allows less current to flow to the output and decrease the output voltage. The feedback point is the output of the external resistor divider connected to the V_{OUT} pin.

Enable/Shutdown

The TMI6050 is disabled when the EN pin is connected to ground or the voltage less than 0.4V, and the quiescent current is less than 1μA. Connect EN pin to 1.5V or higher voltage to enable the device. This pin cannot be floated.

Output Auto Discharge

When the regulator is disabled, an internal 130Ω resistor is connected between V_{OUT} and GND to discharge output capacitor C_{OUT}.

Current Limit

The TMI6050 includes a current limit circuit to monitor the gate voltage of the pass transistor to limit the output current. When the output current is higher than the over-current limit, the circuit will clamp the gate voltage of the pass transistor to limit the output current. The typical output current limit is 800mA.

Adjustable Output Voltage

TMI6050 has a wide output voltage range. The output voltage is programmed by an external resistor divider as shown in Figure 1. The output can be calculated by the following equation:

$$V_{OUT} = \left(1 + \frac{R_1}{R_2}\right) \times V_{REF} \quad (\text{Equation.1})$$

Where V_{REF} is the internal reference voltage, which is 0.8V in TMI6050.

Short Circuit Protection

When V_{OUT} pin is short-circuit to GND, short circuit protection will be triggered and clamp the output current to approximately 150mA. This feature protects the regulator from over current condition and damage due to overheating.

Thermal Shutdown

The TMI6050 monitors internal temperature. When the junction temperature exceeds 155°C, the over temperature protection (OTP) circuit turn off the pass transistor until the device is cooled down by 30°C. Then the pass transistor resumes. For continue operation, do not exceed absolute maximum junction temperature.

Application Information

External capacitor

The TMI6050 requires external capacitor for stability. It is specifically designed to work with low-ESR capacitors requiring minimum PCB area. Place the external capacitors as close as possible to the device.

Input capacitor

A 1 μ F or higher capacitance value ceramic capacitor is required between the VIN pin and the GND pin. Place it as close as possible to the device. There are no requirements for the ESR on the input capacitor, but the tolerance and temperature coefficient must be capacitance is 1 μ F over the whole operating temperature range.

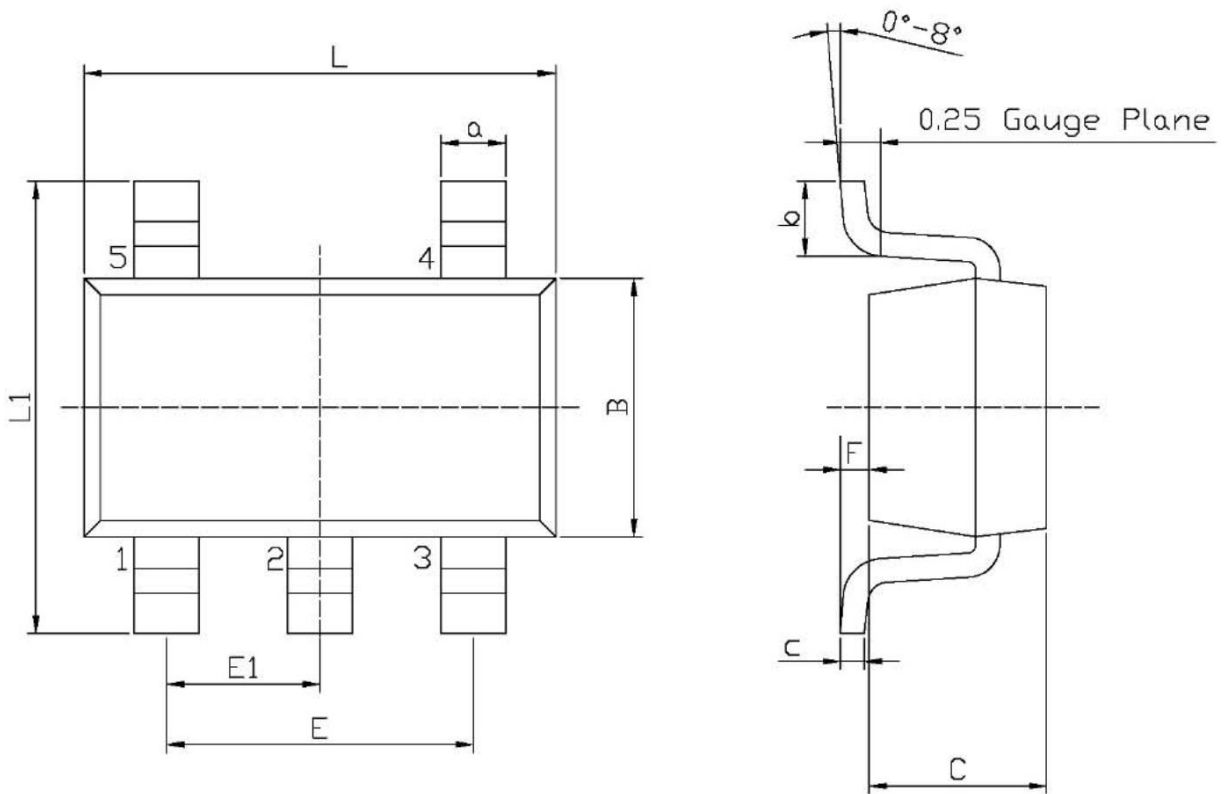
Output capacitor

An output capacitor (C_{OUT}) is needed to improve transient response and maintain stability. The TMI6050 is stable with very small ceramic output capacitors. A 1 μ F to 10 μ F capacitor is suitable for the most TMI6050 applications.

TOLL Micro

PACKAGE INFORMATION

SOT23-5



Unit: mm

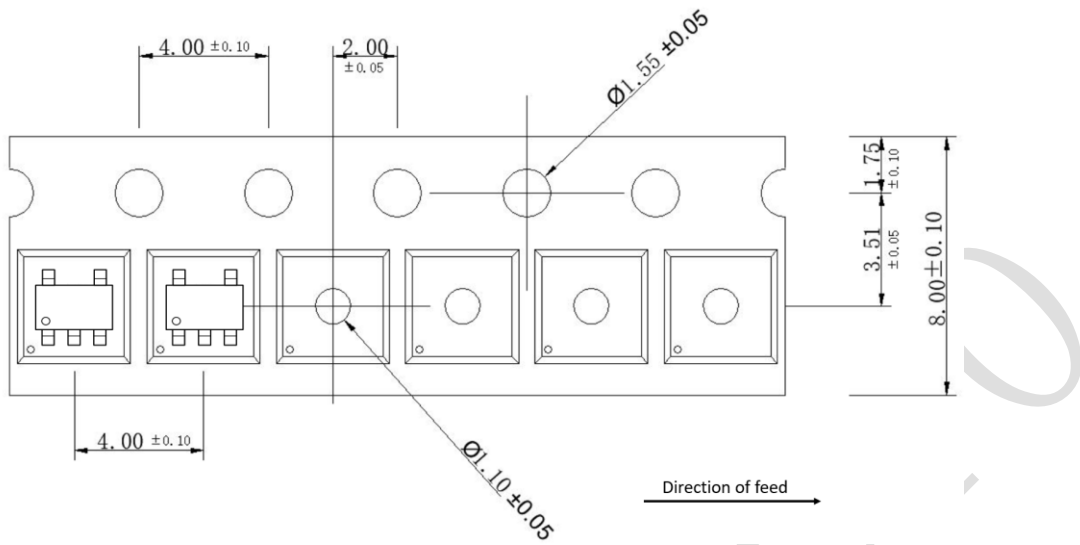
| Symbol | Dimensions In Millimeters | | Symbol | Dimensions In Millimeters | |
|--------|---------------------------|------|--------|---------------------------|------|
| | Min | Max | | Min | Max |
| L | 2.82 | 3.02 | E1 | 0.85 | 1.05 |
| B | 1.50 | 1.70 | a | 0.35 | 0.50 |
| C | 0.90 | 1.30 | c | 0.10 | 0.20 |
| L1 | 2.60 | 3.00 | b | 0.35 | 0.55 |
| E | 1.80 | 2.00 | F | 0 | 0.15 |

Note:

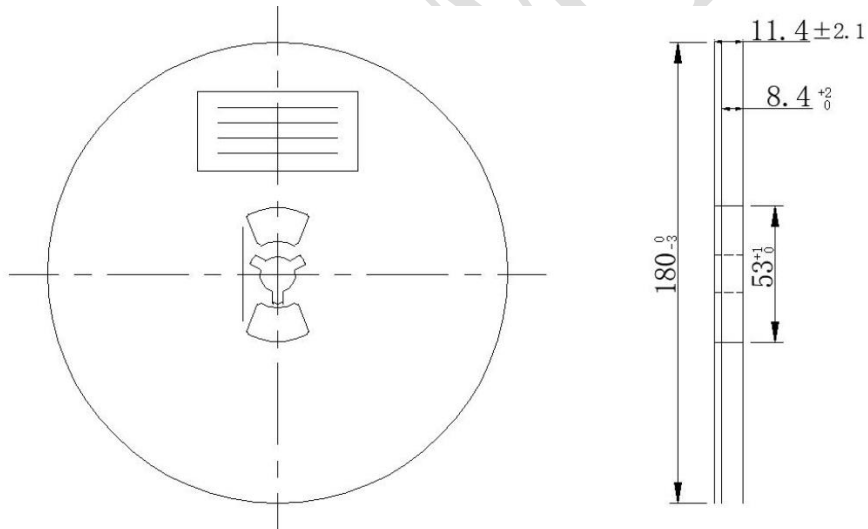
- 1) All dimensions are in millimeters.
- 2) Package length does not include mold flash, protrusion or gate burr.
- 3) Package width does not include inter lead flash or protrusion.
- 4) Lead popularity (bottom of leads after forming) shall be 0.10 millimeters max.
- 5) Pin 1 is lower left pin when reading top mark from left to right.

TAPE AND REEL INFORMATION

TAPE DIMENSIONS:



REEL DIMENSIONS:



Note:

- 1) All Dimensions are in Millimeter
- 2) Quantity of Units per Reel is 3000
- 3) MSL level is level 3.

X-ON Electronics

Largest Supplier of Electrical and Electronic Components

Click to view similar products for [Linear Voltage Regulators](#) category:

Click to view products by [TMI](#) manufacturer:

Other Similar products are found below :

[LV56831P-E](#) [LV5684PVD-XH](#) [MCDTSA6-2R](#) [L7815ACV-DG](#) [PQ3DZ53U](#) [LV56801P-E](#) [TLE42794G](#) [L78L05CZ/1SX](#) [L78LR05DL-MA-E](#) [636416C](#) [714954EB](#) [BA033LBSG2-TR](#) [LV5680P-E](#) [L78M15CV-DG](#) [L79M05T-E](#) [TLS202A1MBVHTSA1](#) [L78LR05D-MA-E](#) [NCV317MBTG](#) [NTE7227](#) [LV5680NPVC-XH](#) [LT1054CN8](#) [MP2018GZD-5-Z](#) [MP2018GZD-33-Z](#) [MIC5281-3.3YMM](#) [MC78L06BP-AP](#) [TA48LS05F\(TE85L,F\)](#) [TA78L12F\(TE12L,F\)](#) [TC47BR5003ECT](#) [TCR2LN12,LF\(S](#) [TCR2LN28,LF\(S](#) [TCR2LN30,LF\(S](#) [TCR3DF295,LM\(CT](#) [TCR3DF40,LM\(CT](#) [BA178M20CP-E2](#) [L78M12ABDT](#) [LM7812SX/NOPB](#) [LR645N3-G-P003](#) [LR645N3-G-P013](#) [ZXTR2005P5-13](#) [SCD7812BTG](#) [TCR3DF335,LM\(CT](#) [ZXTR2012K-13](#) [TLE42994E V33](#) [ZXTR2008K-13](#) [ZXTR2005K-13](#) [L88R05DL-E](#) [ADP3300ARTZ-2.7RL7](#) [LM120K-15/883](#) [IFX54441LDVXUMA1](#) [LM317D2T-TR](#)