

1.5A, Low Voltage H-Bridge Motor Drive

FEATURES

- Support the input voltage range:
Motor power: 1.8V~12V
Control power supply: 1.8V~7V
- LDMOS $R_{DS(ON)}$ (HS+LS) 650m Ω (typical)
- Ultra-low power sleep mode
- 45nA (typical) VM sleep mode current
- 17nA (typical) VCC sleep mode current
- Maximum 1.5A current output capacity
- Built-in UVLO Protection
- Built-in Over Temperature Protection
- Built-in Short Circuit Protection
- Built-in Over Current Protection
- Built-in Charge Pump
- TMI8837: DFN2x2-8 package
- TMI8837S: SOP8 package

GENERAL DESCRIPTION

TMI8837 and TMI8837S are low voltage DC motor driver IC. Internal integration 650m Ω (HS+LS typical) H bridge NMOS switch, which can support the 1.8V~12V input voltage range. The maximum current capacity is up to 1.5A, support for ultra-low power sleep mode; built-in UVLO, Thermal Shutdown, OCP protection circuit. TMI8837 and TMI8837S can be used in camera, toys and consumer products.

APPLICATIONS

- Cameras
- Toys
- Consumer Products

TYPICAL APPLICATION

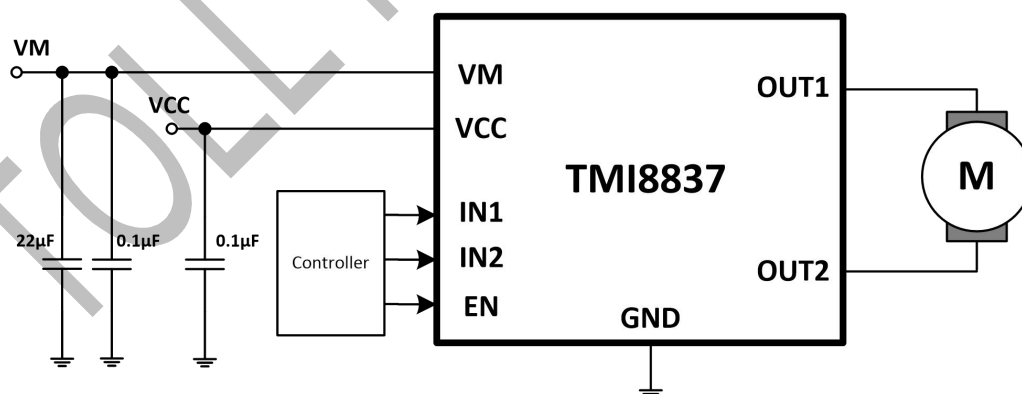


Figure 1. Basic Application Circuit

X-ON Electronics

Largest Supplier of Electrical and Electronic Components

Click to view similar products for [Motor/Motion/Ignition Controllers & Drivers](#) category:

Click to view products by [TMI](#) manufacturer:

Other Similar products are found below :

[MC33931EKR2](#) [FSB50550TB2](#) [FSBF15CH60BTH](#) [MSVCPM2-63-12](#) [MSVGW45-14-2](#) [MSVGW54-14-3](#) [NTE7043](#) [LA6565VR-TLM-E](#)
[LB11650-E](#) [LB1837M-TLM-E](#) [LB1845DAZ-XE](#) [LC898300XA-MH](#) [SS30-TE-L-E](#) [LV8281VR-TLM-H](#) [BA5839FP-E2](#) [IRAM236-1067A](#)
[LA6584JA-AH](#) [LB11847L-E](#) [NCV70501DW002R2G](#) [AH293-PL-B](#) [TND315S-TL-2H](#) [FNA23060](#) [FSB50250AB](#) [FNA41060](#) [MSVBTC50E](#)
[MSVCPM3-54-12](#) [MSVCPM3-63-12](#) [MSVCPM4-63-12](#) [FSB50550AB](#) [NCV70501DW002G](#) [LC898301XA-MH](#) [LV8413GP-TE-L-E](#)
[MSVGW45-14-3](#) [MSVGW45-14-4](#) [MSVGW54-14-4](#) [TB6552FNG,C,8,EL](#) [STK984-091A-E](#) [LB11651-E](#) [IRSM515-025DA4](#) [LV8127T-](#)
[TLM-H](#) [MC33812EKR2](#) [IKCM10H60GA](#) [MC33PT2000AF](#) [TDA21801](#) [LB11851FA-BH](#) [LB1938FAGEVB](#) [IGCM04G60GAXKMA1](#)
[IKCM15H60HA](#) [TB6569FTG,8,EL](#) [IGCM04F60HAXKMA1](#)