

SINGLE PHASE TRANSFORMER IP00

TMM

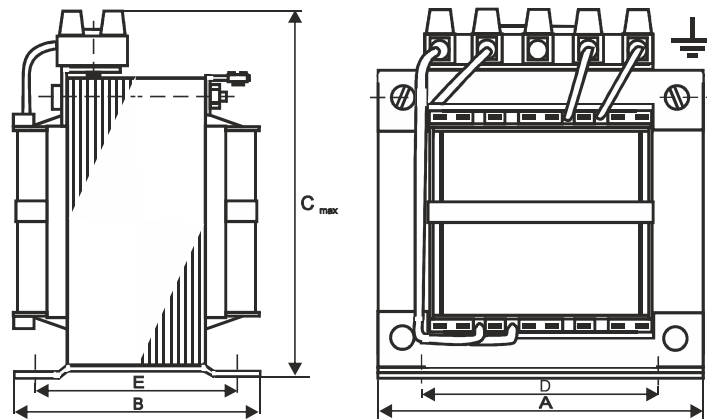


Opened build of general purpose transformers for building into installations and industrial or power engineering devices. The transformers are made with Class I insulation and protection grade Ip00. Maximum ambient temperature 40°C, thermal class of insulation B (130°C). Manufactured in compliance with EN 61558-2-4 and EN 61558-2-6.

Rated power: 30 - 2500 VA

Rated voltage PRI: 24 - 500 V 50/60 Hz

Rated voltage SEC: 6 - 500 V



Type	Power [VA]	Dimensions [mm]					Mounting	Weight [kg]
		A	B	C	D	E		
TMM 30	30	66	53	85	50	40	M4	0,80
TMM 50	50	66	65	85	50	52	M4	1,00
TMM 63	63	78	60	88	56	48	M4	1,20
TMM 80	80	84	60	100	64	46	M4	1,30
TMM 100	100	84	74	100	64	60	M4	1,80
TMM 160	160	96	86	115	84	70	M5	2,60
TMM 200	200	96	100	115	84	84	M5	3,20
TMM 250	250	120	88	136	90	70	M5	3,70
TMM 300	300	120	100	143	90	82	M5	4,60
TMM 400	400	120	120	143	90	102	M5	6,20
TMM 500	500	135	107	160	104	91	M5	7,20
TMM 630	630	135	122	160	104	106	M5	8,00
TMM 800	800	150	135	175	122	106	M6	9,90
TMM1000	1000	150	160	175	122	130	M6	13,00
TMM1600	1600	174	162	225	125	138	M6	17,60
TMM2500	2500	192	172	245	150	140	M6	26,00

Because of the constant development of product construction and changes concerning technical requirements, Breve-Tufvassons Company reserves the right to change the parameters mentioned above.



X-ON Electronics

Largest Supplier of Electrical and Electronic Components

Click to view similar products for [Power Transformers](#) category:

Click to view products by [Breve Tufvassons](#) manufacturer:

Other Similar products are found below :

[1-1672275-3](#) [A41-43-20A20](#) [DST5-120B39](#) [14A-56-36B42](#) [EN2997SE02212F7](#) [EN2997SE61808F8](#) [EN2997SE62212F7](#) [29768](#) [1654308-1](#)
[170R](#) [ST2-12B42](#) [ST3-12B5](#) [ST6118T-R](#) [PE-68421NL](#) [PL2.5-12-130B-C](#) [PoE4W3x5.0-R](#) [POE7W3X3.3-R](#) [4000-20C02K999](#) [4001-](#)
[09W15AE777](#) [48RO-5000G-SIL](#) [TRA-0130-R](#) [XON7-15/2](#) [47045010](#) [1-1611462-6](#) [1-1611760-0](#) [EN2997KE62212F6](#) [EN2997SE02212F6](#)
[EN2997SE02212F8](#) [EN2997SE02212FN](#) [EN2997SE61808F9](#) [EN2997SE62212F6](#) [EN2997SE62212FN](#) [OPT110F-EAS00004AU](#) [XON25-](#)
[9/24](#) [XON01349](#) [XON01200](#) [XDCA001/INER01](#) [PE-68422NL](#) [PE-68414NL](#) [F-91X](#) [F-29U](#) [DST4-16B10](#) [14A-56-24B30](#) [SGE2668-1G](#)
[DP241-8-24A55](#) [P-8577](#) [T50-24M3](#) [1-1672277-2](#) [1-1672277-0](#) [1-1672275-5](#)