



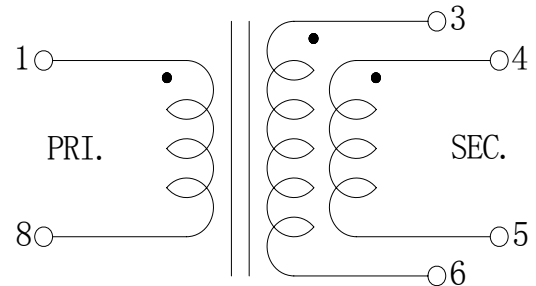
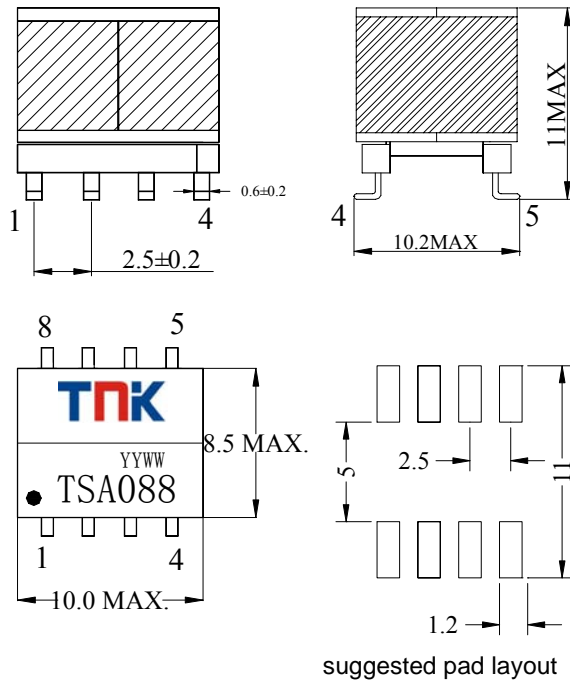
- Transformer
- RoHS Compliance Product
- Surface Mount Device Providing Compact Footprint
- Operating temperature range: -40<sup>0</sup>C to +85<sup>0</sup>C

### Electrical Specifications @ 25°C

Part Number	Turns Ratio	OCL @100KHz 0.1V	DCR		Hi-Pot (VAC ,60Sec/1S)
			4-5 (短 3+4,5+6)	1-8	
TSA088	1:4±1%	2.7uH ±10%	288mΩ±20%	9mΩ±20%	500/625

### Mechanical

### Schematic



NOTE:

- 1、Dimensions:mm;
- 2、 Unless otherwise specified,tolerances:±0.25(mm);

## **X-ON Electronics**

Largest Supplier of Electrical and Electronic Components

*Click to view similar products for [Transformers](#) category:*

*Click to view products by [TNK](#) manufacturer:*

Other Similar products are found below :

[ATB322515-0110-T000](#) [SRW10ES-U01V002](#) [T60402-C4721-X095](#) [TSA021](#) [TSA088](#) [TSE265](#) [TSA048](#) [CEEH96B-391](#) [CEP99P](#)

[B78311P2358A004](#) [ATB322524-0110-T000](#) [HR051067](#) [HR051142](#) [HR610660](#)