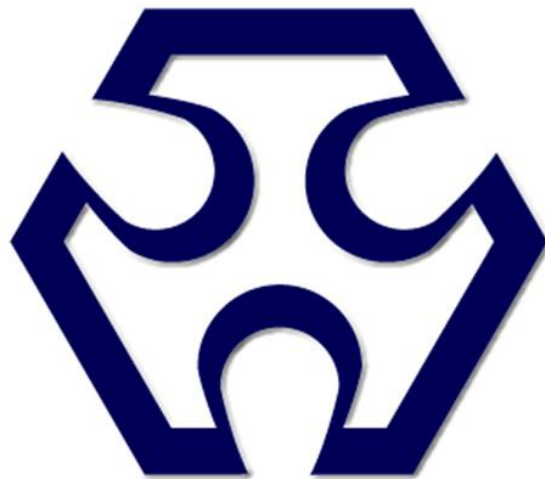


Version:
November 30, 2018



TOKEN

(PT-3528) Chip Ambient Light Sensor, RoHS Compliant

Token Electronics Industry Co., Ltd.

Taiwan: No.137, Sec. 1, Zhongxing Rd., Wugu District,
New Taipei City, Taiwan, R.O.C. 24872
Tel: +886 2981 0109 **Fax:** +886 2988 7487

China: 12F, Zhong Xing Industry Bld., Chuang Ye Road,
Nan Shan District, Shen Zhen City,
Guang Dong, China 518054
Tel: +86 755 26055363; **Fax:** +86 755 26055365

[Web: www.token.com.tw](http://www.token.com.tw)

[Email: rfq@token.com.tw](mailto:rfq@token.com.tw)



▶ Product Introduction

Chip Ambient Light Sensor IC type for security lighting with near human Eye photopic response.

Features :

- Ambient light sensors mimic the human eye with peak wavelength 520nm and 550nm, anti-infrared interference.
- Fast response speed and stable performance, Good batch consistency, Small static current.

Applications :

- No cadmium, lead free and other harmful substances, compliant with EU RoHS standards.
- Suitable for all kinds of infrared light control, infrared radiation, infrared reflection,
- applicable to all types of light control lighting products: such as small night Lights, lawn lights, solar lamps.
- Suitable for all kinds of high illumination or visible light interference strong products, automatic adjustment background light:
- such as LCD, mobile phone, camera, computer camera, installation control machine.
- Control all kinds of optical control video control toys and All kinds of optical control infrared testing equipment.

Custom Design :

- For the convenience of installation in all kinds of products in any position, different sizes are available upon request.
- Provide bright current / dark current (bright resistance / dark resistance) for the most suitable product.

Chip ambient light sensors (ALS) will also be known as photodetector, illumination sensors, photo transistor, brightness sensors, optical sensors, or simply light sensors. The ALS signal may be used to instruct the keypad LED driver to reduce keypad backlighting minimizing as much as 30% from the power within the input standby power mode. Inside a mobile phone, the ALS enables automatic charge of display backlight brightness over an array of illumination conditions from the dark atmosphere to sunlight. This control significantly improves visibility and minimizes power consumption since LCD backlighting is able to take around 51% through the power within the input standby mode.



The (PT-IC-AC-3528-520) is a high-precision environment-friendly ambient light sensor. Optical IC with spectral response close to human eye sensitivity. A single chip on the photosensitive surface of the built-in current amplifier circuit is able to measure the visible light band. Compared with traditional visible light to near-infrared receiving silicon products, the light IC has a smaller output fluctuation. Parameters can be directly substituted for the most versatile Cds resistor, so this sensor can be used as an environmentally friendly substitute for cadmium sulfide resistor.

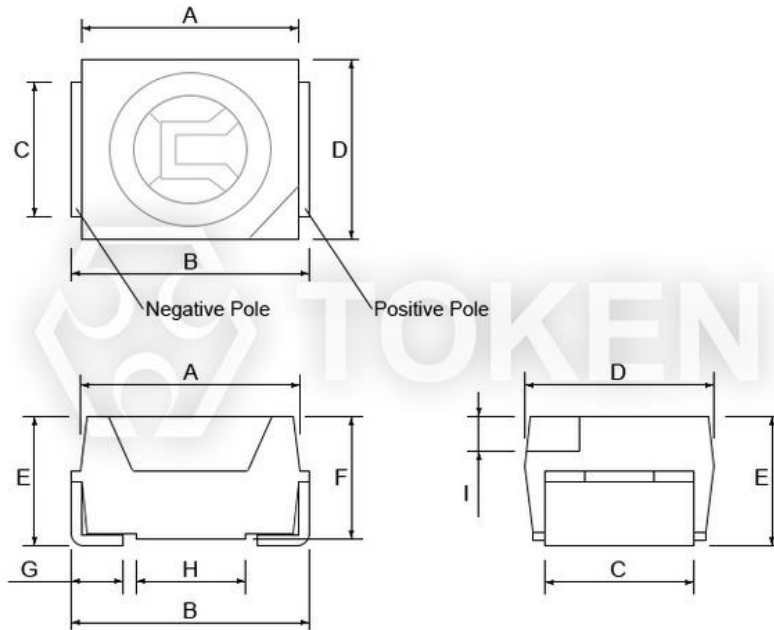
The (PT-IC-BC-3528-550) using high quality chip packaging and processing super-plated infrared filter membrane on chip surface, so this sensor can fully filter infrared interference. It is no need to add the casing and extra filter and effective filtering out the effect of light reflection due to infrared emission on security products. This chip IC features high precision and excellent consistency, high temperature performance, working in high temperature environment, and dark current stability. Please contact our sales or link to Token official website "[Ambient-light-sensors](http://www.token.com.tw)" for more information.



Dimensions

Dimensions & Configurations (Unit: mm) (PT-3528)

Part NO.	A (mm)	B (mm)	C (mm)	D (mm)	E (mm)	F (mm)	G (mm)	H (mm)	I (mm)
PT-IC-BC-3528-550	3.20 ± 0.1	3.50 ± 0.1	2.10 ± 0.1	2.80 ± 0.1	1.90 ± 0.05	1.81 ± 0.05	0.80 ± 0.2	1.50 ± 0.2	0.50 ± 0.1
PT-IC-AC-3528-520	3.20 ± 0.1	3.50 ± 0.1	2.10 ± 0.1	2.80 ± 0.1	1.90 ± 0.05	1.81 ± 0.05	0.80 ± 0.2	1.50 ± 0.2	0.50 ± 0.1



SMD IR Light Sensor (PT-3528) Dimensions



www.token.com.tw
PT-IC-BC-3528-550



www.token.com.tw
PT-IC-AC-3528-520

▶ **Electro-Optical BC-550**

Electro-Optical Characteristics (Ta=25 ° C) PT-IC-BC-3528-550

Parameter	Symbol	Condition	Min.	Typ.	Max.	Unit
Peak Wavelength	λ_p	\	-	550	-	nm
Spectral Response Bandwidth	λ	\	400	-	700	nm
Operating Voltage	V_{cc}	\	-	5	-	V
Photo Current	$I_{L(1)}$	$V_{cc}=5V$ $E_v=10Lux$	1.5	3	4.5	μA
	$I_{L(2)}$	$V_{cc}=5V$ $E_v=30Lux$	4.5	9	13.5	μA
	$I_{L(3)}$	$V_{cc}=5V$ $E_v=100Lux$	15	30	45	μA
Collector Dark Current	I_d	$V_{cc}=5V$ $E_v=0Lux$	-	-	0.1	μA
IR Receiving Current	$I_{L(4)}$	$V_{cc}=5V/850nm$ IR LED $E_e=1m^W/cm^2$	-	-	0.1	μA
Rise Time	t_r	$V_{cc}=5V$ $E_v=30Lux$	4.5			μs
Fall Time	t_f	$RL=1000\Omega$	4.5			

Electro-Optical Characteristics (Ta=25 ° C) PT-IC-BC-3528-550

Parameter	Symbol	Rating Value		Unit
		Min.	Max.	
Operating Voltage	V_{cc}	Min.	Max.	V
		1	10	V
Power Dissipation	P_c	70		m^W
Operating Temperature Range	T_{opr}	-25 ~ +85		$^{\circ}C$
Storage Temperature	T_{stg}	-40 ~ +100		$^{\circ}C$



▶ **Electro-Optical AC-520**

Electro-Optical Characteristics (Ta=25 ° C) PT-IC-AC-3528-520

Parameter	Symbol	Condition	Min.	Typ.	Max.	Unit
Peak Wavelength	λ_p	\	-	520	-	nm
Spectral Response Bandwidth	λ	\	400	-	-	nm
Operating Voltage	V_{cc}	\	-	5	-	V
Photo Current	$I_{L(1)}$	$V_{cc}=5V$ $E_v=10Lux$	7	13	18	μA
	$I_{L(2)}$	$V_{cc}=5V$ $E_v=30Lux$	21	39	54	μA
	$I_{L(3)}$	$V_{cc}=5V$ $E_v=100Lux$	70	130	180	μA
Collector Dark Current	I_d	$V_{cc}=5V/85^\circ C$ $E_v=0Lux$	-	-	0.8	μA
Rise Time	t_r	$V_{cc}=5V$ $E_v=30Lux$	4.5			μs
Fall Time	t_f	$RL=1000\Omega$	4.5			

Electro-Optical Characteristics (Ta=25 ° C) PT-IC-AC-3528-520

Parameter	Symbol	Rating Value		Unit
		Min.	Max.	
Operating Voltage	V_{cc}	Min.	Max.	V
		1	10	V
Power Dissipation	P_c	70		m^w
Operating Temperature Range	T_{opr}	-25 ~ +85		$^\circ C$
Storage Temperature	T_{stg}	-40 ~ +100		$^\circ C$



► Curve BC-550

Relative Spectral Sensitivity vs. Wavelength PT-IC-BC-3528-550

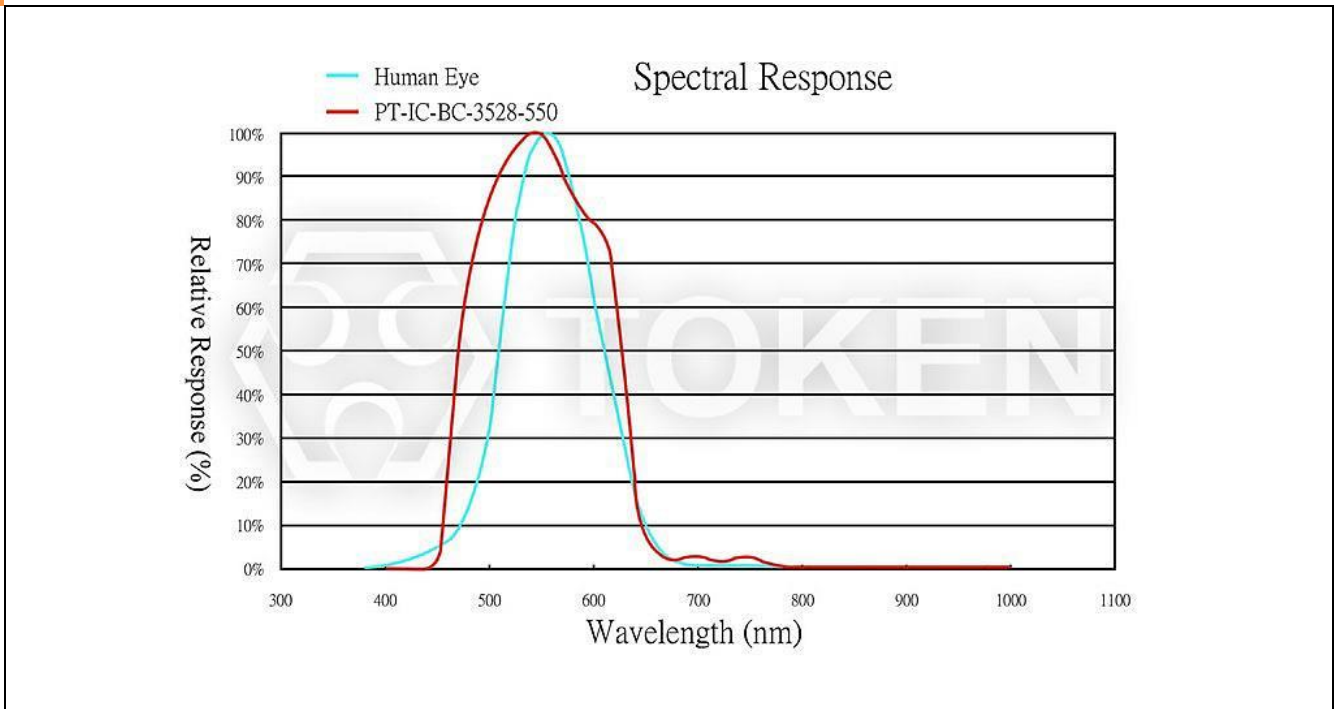
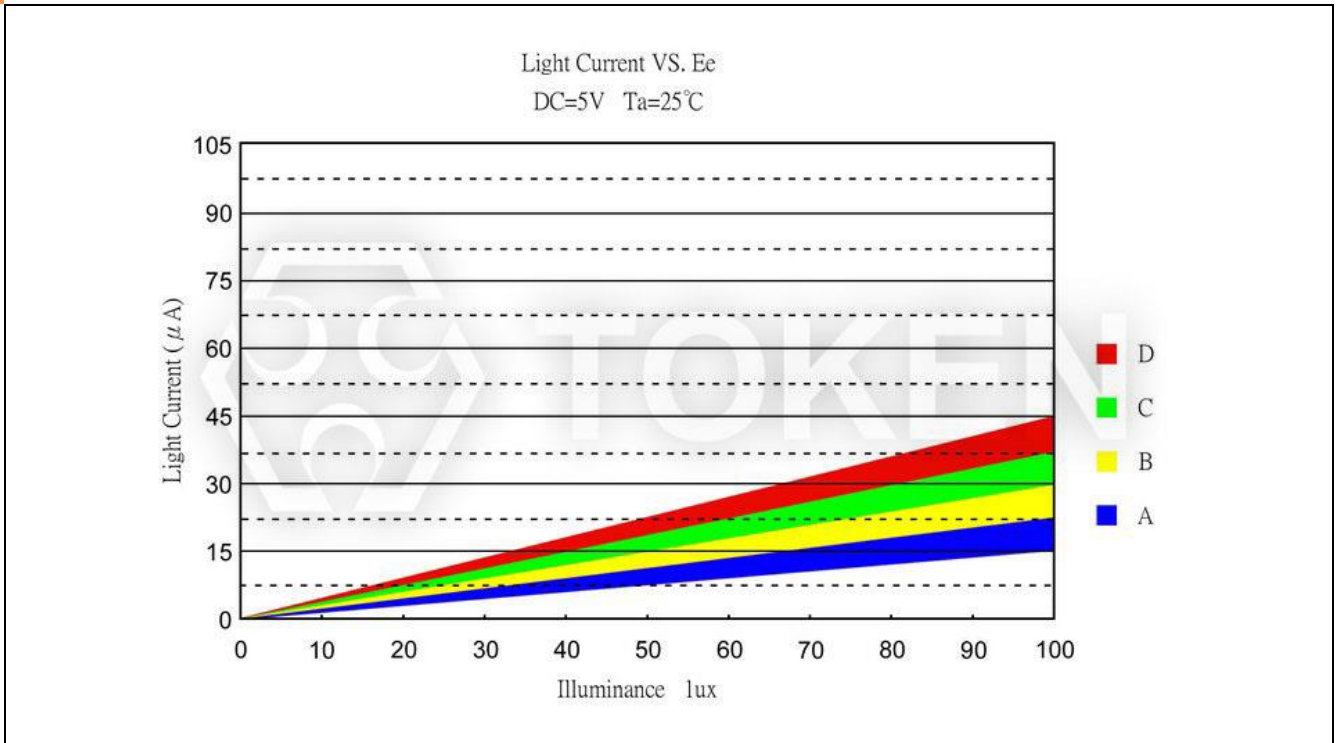


Photo Current vs. Illuminance PT-IC-BC-3528-550



Dark Current vs. Ambient Temperature PT-IC-BC-3528-550

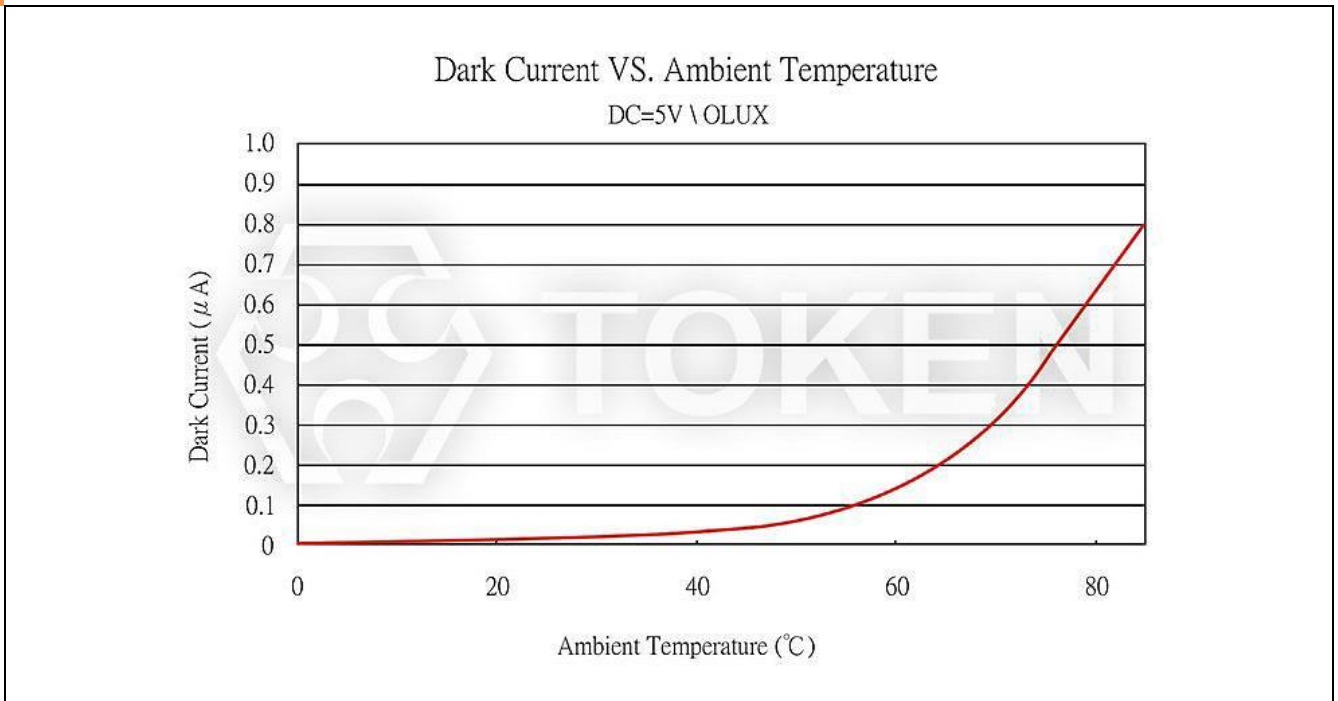
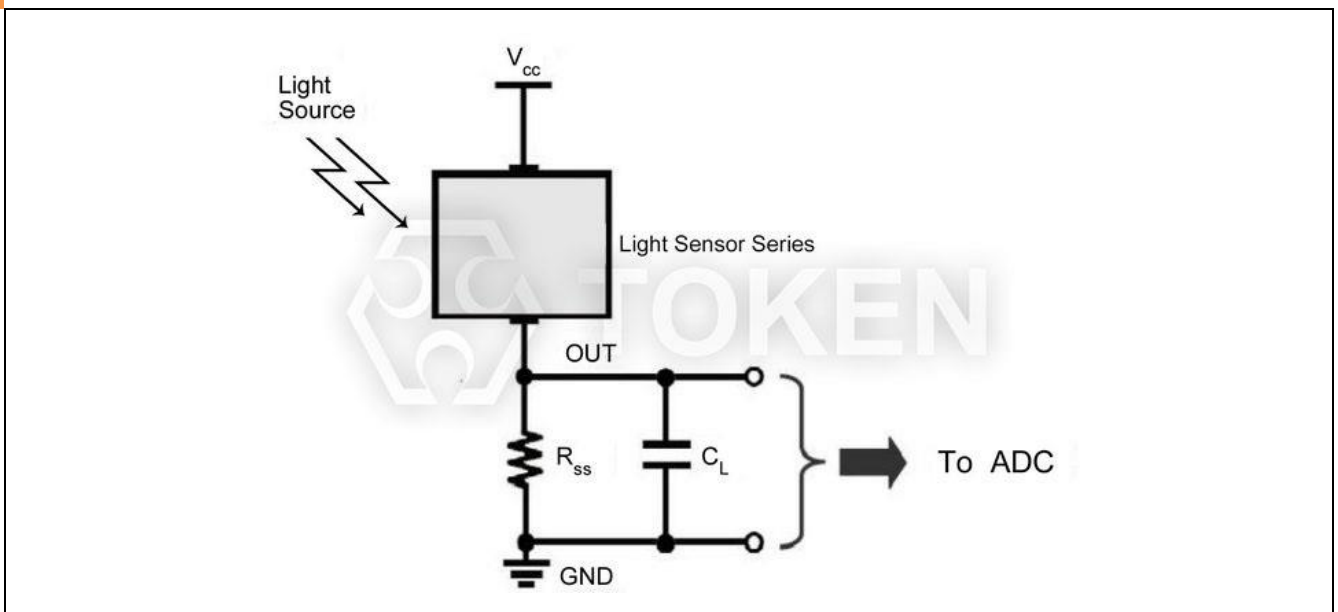


Photo Current Measurement Method PT-3528



► **Curve AC-520**

Relative Spectral Sensitivity vs. Wavelength PT-IC-AC-3528-520

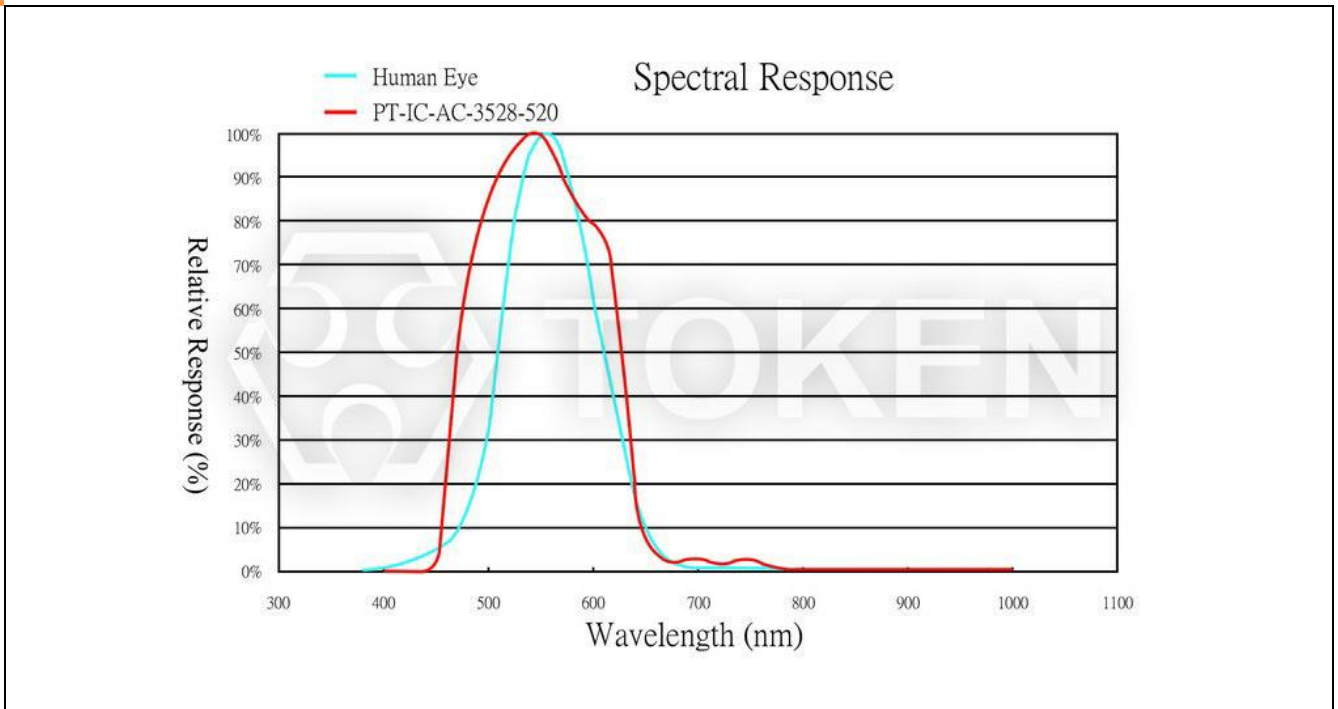
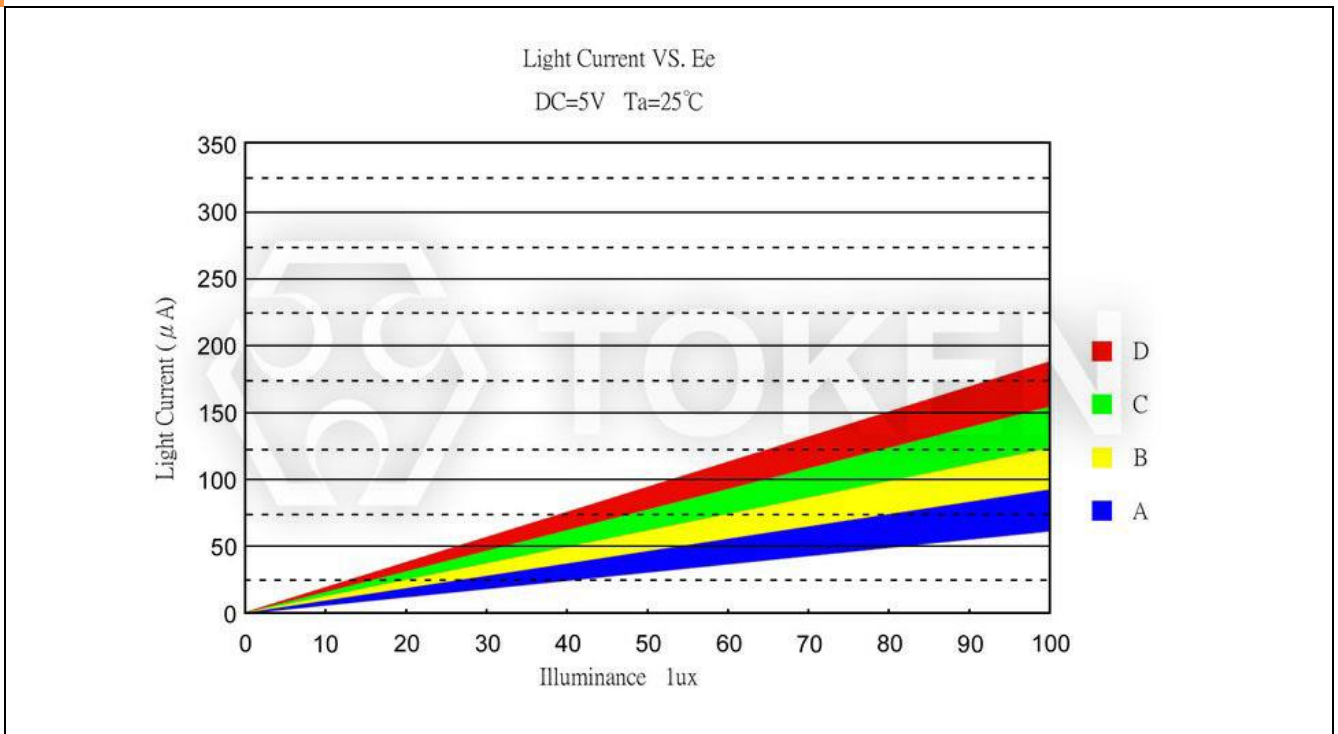


Photo Current vs. Illuminance PT-IC-AC-3528-520



Dark Current vs. Ambient Temperature PT-IC-AC-3528-520

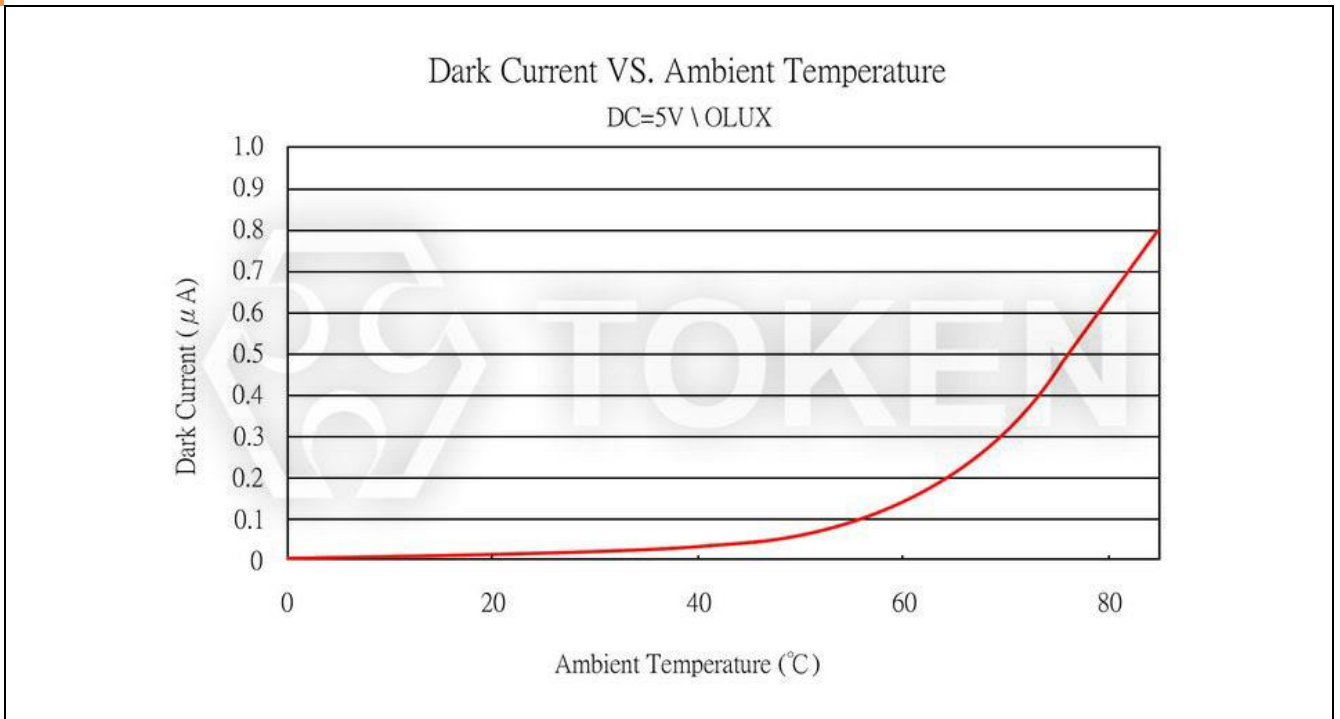
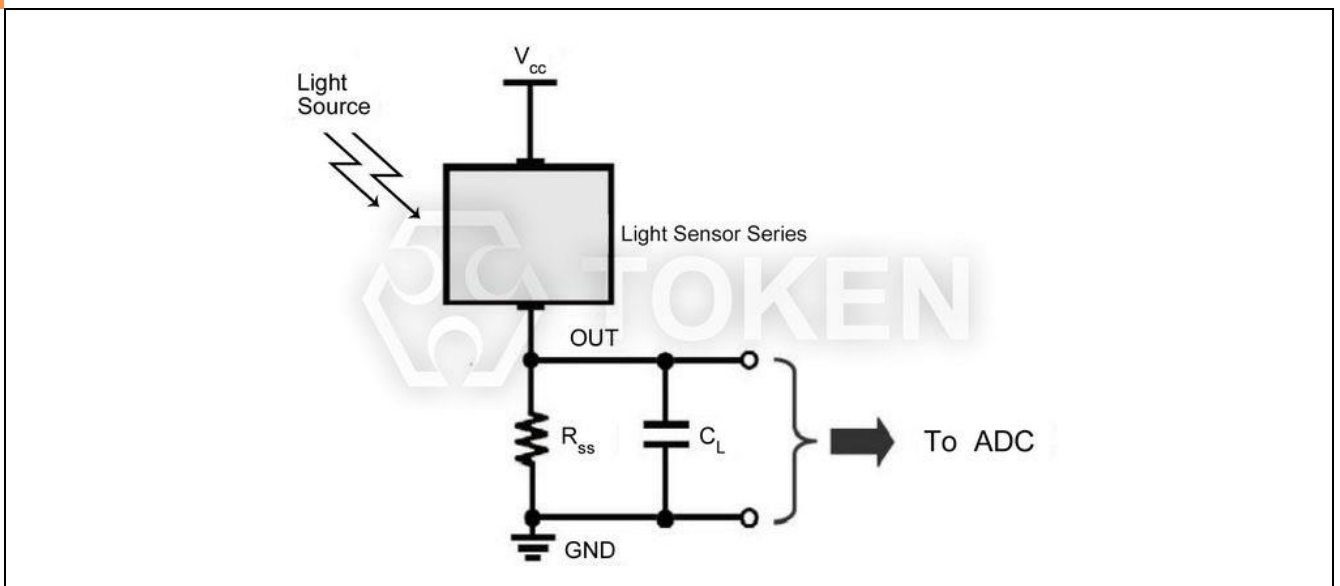


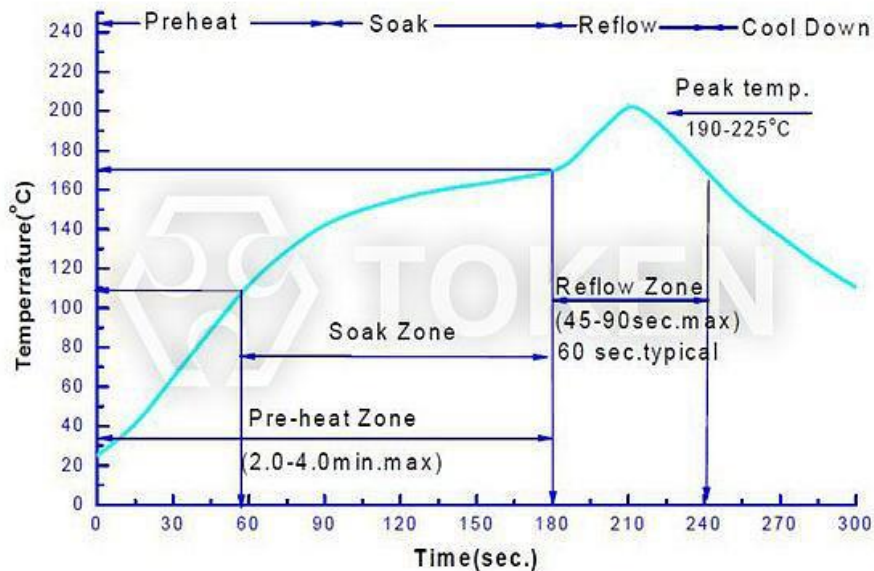
Photo Current Measurement Method PT-3528



▶ Reflow Chart

Recommended Reflow Chart (PT-3528)

Characteristic of Temperature Curve	Reference Settings
Average Heating Speed (T _{smax} to T _p)	Max. 3°C / Sec
Preheating: Minimum Temperature	(T _{smin})
Preheating: Maximum Temperature (T _{smax})	150°C
Preheating: Time (t _{smin} to t _{smax})	60 ~ 120 Sec
Reflow Temperature: Temperature (T _L)	183°C
Period of Reflow: Time (T _L)	60 ~ 150 Sec
Peaking Temperature (T _P)	225°C
Within the Actual Peak Temperature (t _p) 5°C	10 ~ 30 Sec
Cooling speed	Max. 6°C / Sec
25°C Time required to rise to peak temperature	Max. 6 minutes



► **Note**

Storage :

- Without opening the original wrapper, the recommended storage environment is: 5°C ~ 30°C, Humidity less 85%.
- After opening the original wrapper, the recommended storage environment is: 5°C ~ 30°C, Humidity less 60%.
- This product is humidity sensitive device. In order to avoid moisture absorption after unpackage, it is recommended that the opened packaging be stored in an airtight container with desiccant.
- After opening the package, the original should be used within 12 hours.
- If the desiccant fails or the device is exposed to air for more than 12 hours. Should be used for dehumidification treatment at 60°C / 24H.

Baking and dehumidification :

- Use instructions before soldering this product. After opening the original wrapper, product exposure and humid environment. Product may be damaged during soldering.
- Description of the storage: Products with exposure time exceeding the specified time must be baked according to the baking conditions listed below. The following downgrade table determines the maximum amount of time that this product can be exposed to the humidity and temperature conditions listed. (Unit: Day)

Temperature	Maximum Relative Humidity (%)						
	30%	40%	50%	60%	70%	80%	90%
30°C	9	5	4	3	1	1	1
25°C	12	7	5	4	2	1	1
20°C	17	9	7	6	2	2	1

- Baking conditions: No need to bake all the products. Baking is required only if the following criteria are met:
 - A: Products that have been removed from the original package;
 - B: Exposure to humid environments over time which list in Relative Humidity Table.;
 - C: Products that have not been soldered. Reflow soldering of parts within one hours after baking, or immediately store the part in a container of relative humidity less than 20%. The product should be baked in its original reel under 60°C for 24 hours. The exposure time of the products after this baking process is again determined by the moisture sensitivity table above.



The Right way to bake



Wrong baking style

Service life :

- It can be used for up to 100,000 hours at rated current and rated voltage.

Use and description of Humidity Monitor card :

- The card with "Humiditor" in the bag is the humidity monitor card.
- If there is no humidity in the bag, then the color in the black circle of the monitor card is blue as shown in Figure (1).
- If humidity card "20%" corresponds to the black circle showing the color is pink, then bake and dehumidification the product as shown in Figure (2).
- Humidity card indicates packaging bag humidity conditions.

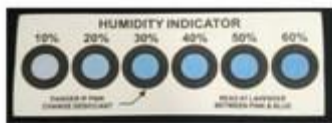


Figure (1)



Figure (2)

Order Codes

Order Codes (PT-3528)

PT		-	IC		-	BC		-	3528		-	550	
Part Number			Chip Type			Lens Color			Dimensions			Peak Wavelength	
PT			IC			BC	Dark Blue		3528	3.5mm × 2.8mm		550	550 nm
						AC	Water Clear					520	520 nm

X-ON Electronics

Largest Supplier of Electrical and Electronic Components

Click to view similar products for [Phototransistors](#) category:

Click to view products by [Token](#) manufacturer:

Other Similar products are found below :

[LTR-526AD](#) [LTR-5576D](#) [QSD123A4R0](#) [ASDL-6620-C22](#) [OED-STR44B90-TR](#) [LTR-536AB](#) [LTR-743DBM1-TA](#) [SD5410-109](#) [PT91-21C/TR7](#) [L-51ROPT1D1](#) [PT928-6C\(X3-X5\)\(XBY\)](#) [PT908-7C\(BIN3\)](#) [PT19-21B/L41/TR8\(BY\)](#) [PT928-6C/F1\(6-1\)](#) [XYC-PT3020F65-L4](#) [DY-PT-8S302320B-6.5T](#) [DY-PTS302320B/6.5T](#) [XL-TD3216PDC](#) [MPT60363T\(SHW\)](#) [XYC-PT26B-L1](#) [XYC-PT2835F30-A4](#) [XYC-PT204B-L1](#) [XYC-PT17B-L1](#) [ZSPT-3216B-19D-T15](#) [ZSPT-3216C-19C-T15](#) [ZSPTP68C](#) [ZSPT0348B](#) [ZPT-Z3224B-T26-T15\(YPX\)](#) [ZSPT034B-N](#) [ZSPT034C-N](#) [PT67-21B/L606/TR8\(DVP-2\)](#) [PT8294-6B](#) [L-3DP3C](#) [XYC-PT3A940FC-A1](#) [XYC-PT19B-L1](#) [XYC-PT3216D25-A1](#) [XYC-PT3A940FC-A4](#) [XYC-PT3B850DC-A2](#) [XYC-PT3A850DC-A1](#) [XYC-PT5A850DC-A1](#) [XYC-PT3212D25-A1](#) [XYC-PT3A850DC-A2](#) [XYC-PT3A850DC-L1](#) [L32ROPT1D1](#) [ZSPT054B](#) [ZSPT868B-F14/H](#) [ZPT-3216B-19D-R15](#) [ZSPTP08C](#) [ZPT-1608B-06-Z4](#) [ZSPT054C](#)