

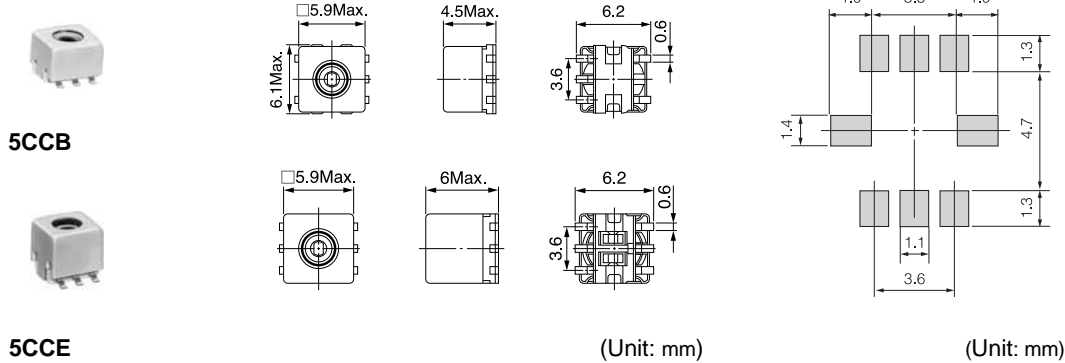
TYPE 5CCB, 5CCE

For Reflow Soldering

	5CCB	5CCE
Frequency Range:	10~150MHz	10~150MHz
Inductance Range:	0.03~10 μ H	0.05~2.7 μ H
Q Approx.:	50 (at 100MHz)	70 (at 100MHz)

Recommended Patterns for 5CCB, 5CCE Coils

5CCB, 5CCE Coils 表面実装用推奨パターン



Features

- Can take up to two built-in capacitors (5CCE : 3~510 pF).
- Ideal for high-density mounting in a wide range of compact equipment.
- RoHS compliant

特長

- コンデンサが2個まで内蔵可能 (5CCE : 3~510pF)
- 各種小型機器の高密度実装化に最適
- RoHS 指令対応

SELECTION GUIDE FOR STANDARD COILS

TYPE 5CCE

東光品番	インダクタンス&可変範囲	Q	測定周波数	直流抵抗(参考値)	自己共振周波数(参考値)
TOKO Part Number	Inductance L (nH) & Adjustable Range \pm (%)	Q	Test Frequency (MHz)	DC Resistance () Max. (Reference only)	Self-resonant Frequency (MHz) Min. (Reference only)
# A638AN-0150Z	68 \pm 5%	60 \pm 20%	100	0.15	580
# A638AN-0151Z	82 \pm 5%	63 \pm 20%	100	0.29	580
# A638AN-0152Z	100 \pm 5%	65 \pm 20%	100	0.18	580
# A638AN-0153Z	120 \pm 5%	68 \pm 20%	100	0.20	580
# A638AN-0154Z	150 \pm 5%	63 \pm 20%	100	0.29	487
# A638AN-0155Z	180 \pm 5%	73 \pm 20%	100	0.22	443
# A638AN-0156Z	220 \pm 5%	60 \pm 20%	100	0.36	354
# A638AN-0157Z	270 \pm 5%	72 \pm 20%	80	0.26	270
# A638AN-0158Z	330 \pm 5%	75 \pm 20%	80	0.55	273
# A638AN-0159Z	390 \pm 5%	68 \pm 20%	80	0.46	230
# A638AN-0160Z	470 \pm 5%	67 \pm 20%	60	0.48	207
# A638AN-0161Z	560 \pm 5%	68 \pm 20%	60	0.52	180
# A638AN-0162Z	680 \pm 5%	50 \pm 20%	30	0.67	170
# A638AN-0163Z	820 \pm 5%	48 \pm 20%	30	0.73	155
# A638AN-0164Z	1000 \pm 5%	50 \pm 20%	30	1.04	136
# A638AN-0165Z	1200 \pm 5%	48 \pm 20%	30	1.12	113
# A638AN-0166Z	1500 \pm 5%	48 \pm 20%	30	1.26	110
# A638AN-0167Z	1800 \pm 5%	47 \pm 20%	30	0.36	105
# A638AN-0168Z	2200 \pm 5%	47 \pm 20%	30	2.00	100

X-ON Electronics

Largest Supplier of Electrical and Electronic Components

Click to view similar products for [Multilayer Ceramic Capacitors MLCC - SMD/SMT](#) category:

Click to view products by [Toko](#) manufacturer:

Other Similar products are found below :

[M39014/01-1467](#) [M39014/02-1218V](#) [M39014/02-1225V](#) [M39014/02-1262V](#) [M39014/02-1301](#) [M39014/22-0631](#) [1210J5000102JCT](#)
[1210J2K00102KXT](#) [1210J5000103KXT](#) [1210J5000223KXT](#) [D55342E07B379BR-TR](#) [D55342E07B523DR-T/R](#) [1812J1K00103KXT](#)
[1812J1K00473KXT](#) [1812J2K00680JCT](#) [1812J4K00102MXT](#) [1812J5000102JCT](#) [1812J5000103JCT](#) [1812J5000682JCT](#) [NIN-FB391JTRF](#)
[NIN-FC2R7JTRF](#) [NPIS27H102MTRF](#) [C1206C101J1GAC](#) [C1608C0G1E472JT000N](#) [C2012C0G2A472J](#) [2220J2K00101JCT](#)
[KHC201E225M76N0T00](#) [LRC-LRF1206LF-01R025FTR1K](#) [1812J1K00222JCT](#) [1812J2K00102KXT](#) [1812J2K00222KXT](#)
[1812J2K00472KXT](#) [2-1622820-7-CUT-TAPE](#) [2220J3K00102KXT](#) [2225J2500824KXT](#) [CCR07CG103KM](#) [CGA2B2C0G1H010C](#)
[CGA2B2C0G1H040C](#) [CGA2B2C0G1H050C](#) [CGA2B2C0G1H060D](#) [CGA2B2C0G1H070D](#) [CGA2B2C0G1H151J](#) [CGA2B2C0G1H1R5C](#)
[CGA2B2C0G1H2R2C](#) [CGA2B2C0G1H3R3C](#) [CGA2B2C0G1H680J](#) [CGA2B2C0G1H6R8D](#) [CGA2B2X8R1H221K](#) [CGA2B2X8R1H472K](#)
[CGA3E1X7R1C474K](#)