

TOLC SERIES

(1.27 mm) .050"

QUAD ROW SMT TERMINAL

SPECIFICATIONS

For complete specifications and recommended PCB layouts see www.samtec.com?TOLC

- Insulator Material:** Black Liquid Crystal Polymer
- Terminal Material:** Phosphor Bronze
- Plating:** Au over 50 μ" (1.27 μm) Ni
- Current Rating:** 2.4 A per pin (6 adjacent pins powered)
- Operating Temp Range:** -55 °C to +125 °C
- RoHS Compliant:** Yes

PROCESSING

- Lead-Free Solderable:** Yes
- SMT Lead Coplanarity:** (0.10 mm) .004" max (05-30) (0.15 mm) .006" max (35-50)*
- *(.004" stencil solution may be available; contact IPG@samtec.com)

RECOGNITIONS

For complete scope of recognitions see www.samtec.com/quality



OTHER SOLUTIONS

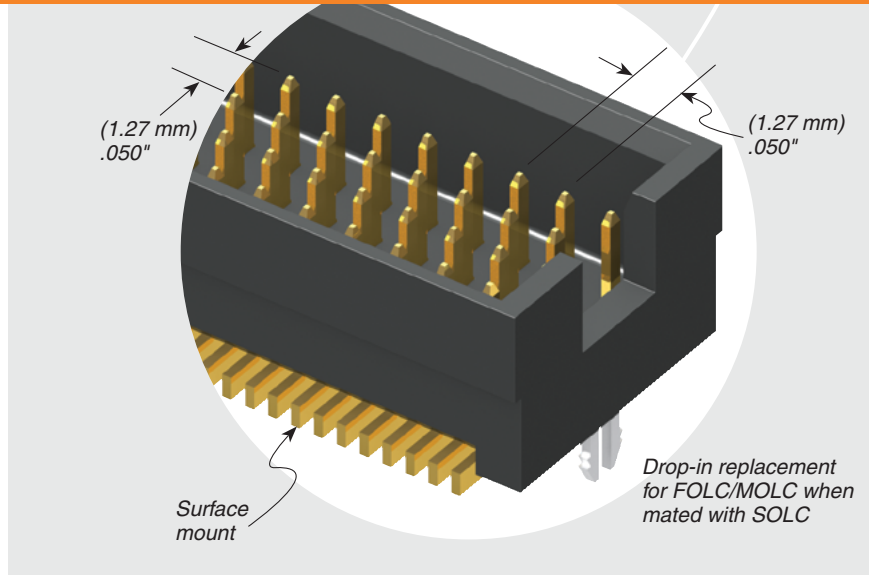
- For Micro Rugged, see the MOLC/FOLC pages located in the Tiger Eye™ section.

ALSO AVAILABLE (MOQ Required)

- Other sizes
- Other platings

Note: Some sizes, styles and options are non-standard, non-returnable.

Mates with: **SOLC**



05, 10, 15, 20, 25, 30, 35, 40, 45, 50 (Standard sizes)

Specify LEAD STYLE from chart

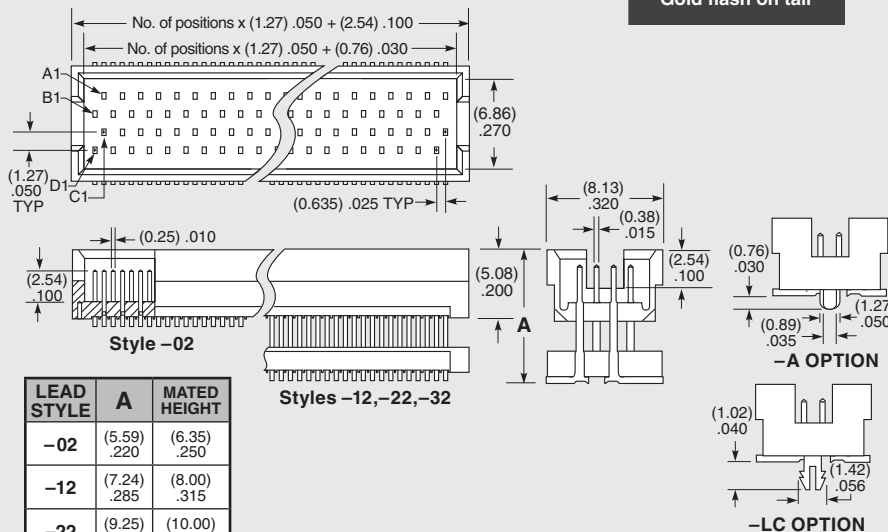
- F = Gold flash on post, Gold flash on tail
- L = 10 μ" (0.25 μm) Gold on post, Gold flash on tail

-A = Alignment Pin (Not available with -LC)

-LC = Locking Clip (Not available with -A) (Manual placement required)

-K = (9.00 mm) .354" DIA Polyimide film Pick & Place Pad

-TR = Tape & Reel



Due to technical progress, all designs, specifications and components are subject to change without notice.

X-ON Electronics

Largest Supplier of Electrical and Electronic Components

Click to view similar products for [Board to Board & Mezzanine Connectors](#) category:

Click to view products by [Samtec](#) manufacturer:

Other Similar products are found below :

[10135583-642402LF](#) [89885-310LF](#) [589158040000018](#) [6-1393048-0](#) [68683-613](#) [MDF7-12DP-2.54DSA](#) [MDF7-18P-2.54DSA\(01\)](#) [MDF7-20DP-2.54DSA](#) [MDF7-26D-2.54DSA\(55\)](#) [MDF7-3P-2.54DSA\(01\)](#) [MDF7B-3P-2.54DSA\(55\)](#) [MDF7C-11P-2.54DSA\(55\)](#) [MDF7C-18P-2.54DSA\(55\)](#) [MDF7C-5P-2.54DSA\(01\)](#) [MDF7P-5P-2.54DSA\(55\)](#) [75234-0516](#) [FCN-230C068-11](#) [FCN-268F012-G/BD](#) [FCN-268F036-G/BD](#) [FCN-268M012-G/0D](#) [FCN-268M024-G/1D](#) [FCN-360C008-C](#) [FCN-360C040-C](#) [FCN-723J004/1](#) [MIS-048-01-F-D-DP-K](#) [832-10-034-10-001000](#) [93696-325LF](#) [11828-1FA](#) [AXK630345P](#) [18097-0013](#) [ICA-328STT](#) [2007042-2](#) [304400-2](#) [FCN-214Q030-G/0](#) [FCN-215Q040-G/0](#) [FCN-230C068-ESA](#) [FCN-234P048-G/0](#) [FCN-235D050-G/C](#) [FCN-360A3](#) [FCN-360C040-B](#) [210-93-314-41-105000](#) [2-22603-0](#) [379-064-521-202](#) [MDF7-12P-2.54DSA\(01\)](#) [MDF7-16P-2.54DS\(56\)](#) [MDF7-40DP-2.54DSA\(55\)](#) [MDF7-8P-2.54DSA\(55\)](#) [MDF7B-16P-2.54DSA\(55\)](#) [AXG720047](#) [5031084030](#)