



T O M I C S. A.

ŻUROMIN POLAND

Factory and Sales

TOMIC s.A.

ul. Żeromskiego 76/82

09-300 Żuromin POLAND

tel.: +48 23 657 31 61

fax.: +48 23 657 24 07

www.tomic.pl

Thermal cut – out AR03, AR33



Thermal cut-out type AR offers proven reliability in a compact, cost-effective design. The snap action of the bimetal disc provides excellent contact separation at electrical load 16 A.

DIN EN ISO 9001:2008

VDE Testing and Certification Institute

QUALITY & EXPERIENCE SINCE 1979



Standard Specifications

- Contact configuration: normally closed
- Rated current: 16A
- Range of rated switching temperatures: 60°C - 180°C
- Switching differential: 30 ± 15 K / manual reset
- Switching temperature tolerance: ± 5 K / ± 10 K

Sample Applications

- Boilers
- Ovens
- Heaters
- Washing machines
- Dryers
- Steam cleaners

Features

- Available in automatic and manual reset
- Available in various mounting configuration

Marketing & Sales In Western Europe

ALBOL

Albol Electronic & Mechanical Products Ltd.
159 Ravenscroft Road; Beckenham
Kent BR3 4TN England (UK)
tel: 0044 208 776 5280/89
fax: 0044 208 659 7501
e-mail: albol@btconnect.com
www.albol.co.uk

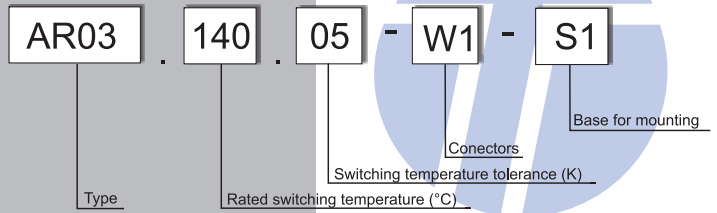


Thermal cut – out AR03, AR33

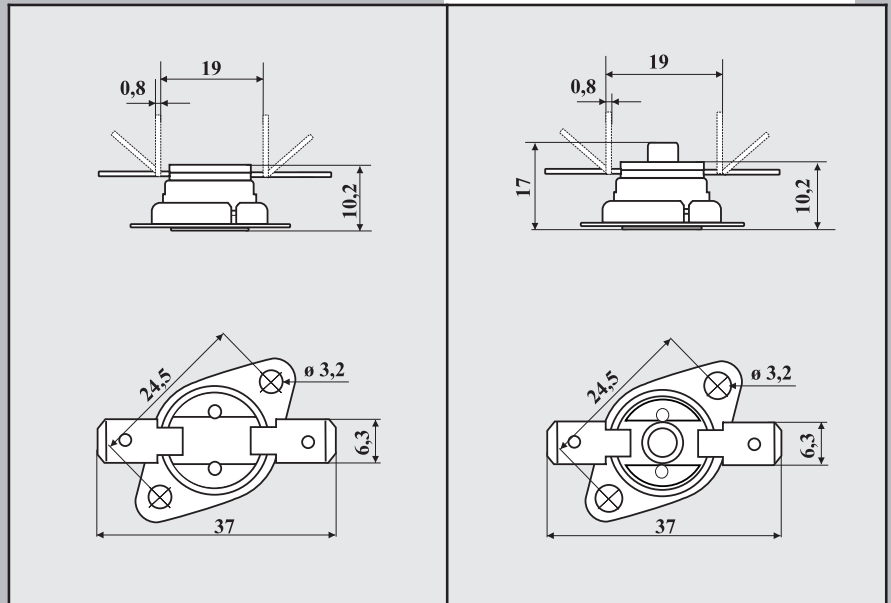
Marking



Ordering example



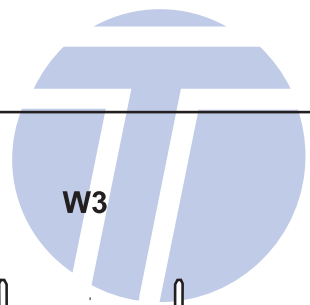
Electrical scheme



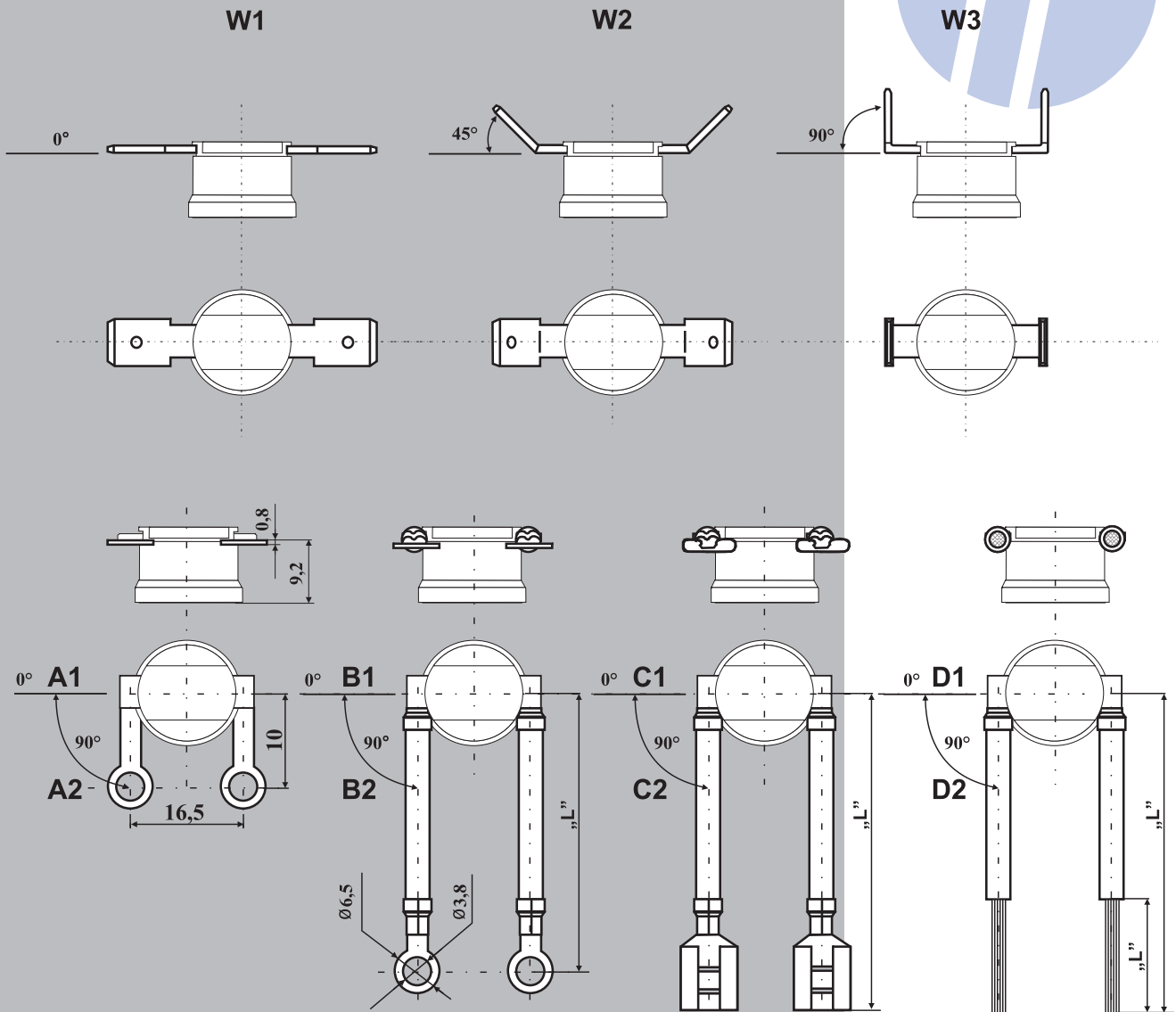
| Type of thermal cut-out | AR03 | AR33 |
|--|--|--------------|
| Contact | SPST, normally closed | |
| Rated voltage | 250V; AC | |
| Rated current of resistance loading $I_{zn}, \cos\varphi = 1,0$ of resistance and induction loading $I_x, \cos\varphi = 0,6$ | 16 A 6 A | |
| Number of switching cycles at rating loading | 3 000 cycles | |
| Range of rated switching temperatures | 50°C - 180°C | |
| Switching temperature tolerance (standard) | ±5K / ±10K | |
| Switching differential | 30 ± 15 K | manual reset |
| Speed of temperature changes | 0,5 ÷ 1K / min | |
| Thermal resistance | max 210°C / 1min | |
| Degree of protection | IP 00 | |
| Degree of pollution (acc. to EN-60730-1) | 2 | |
| PTI of material used for insulation | 250 V | |
| Rated impulse voltage | 2500 V; 50 Hz | |
| Contact resistance | max 20 mΩ | |
| Construction | for incorporation in class I equipment | |

Thermal cut – out AR03, AR33

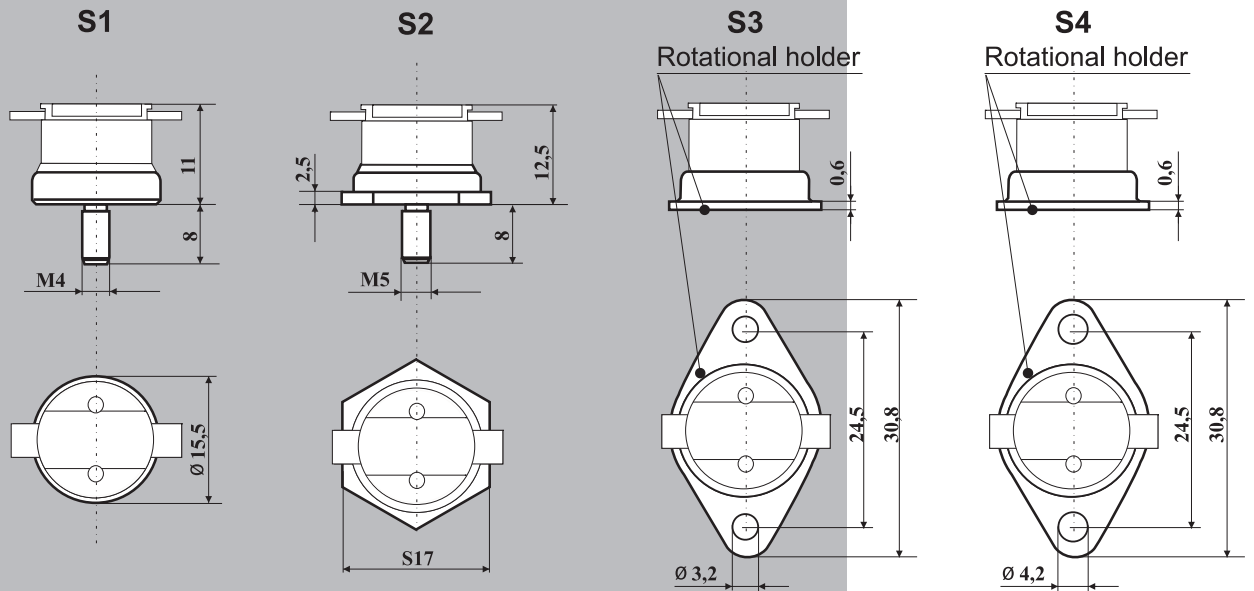
Options:



Connectors:



Base:





TOMIC s.A.
ul.Żeromskiego 76/82
09-300 Żuromin POLAND
tel.:+48 23 657 31 61
fax.:+48 23 657 24 07
www.tomic.pl

X-ON Electronics

Largest Supplier of Electrical and Electronic Components

Click to view similar products for [Thermostats](#) category:

Click to view products by [Tomic](#) manufacturer:

Other Similar products are found below :

[66F060-0099](#) [66F060-0396](#) [66L085-0477](#) [67F080-0356](#) [67L060-0368](#) [67L080-0038](#) [77877-00](#) [A1014005](#) [ASP200-22](#) [1831436](#) [1F78-151CB](#) [1NT08L-7399](#) [O54EAB240B-215Y](#) [C53GAB101A-081A](#) [22636-00](#) [2450 00210626](#) [2450 00880010](#) [2450CM 80020691](#) [2450RC 79080002](#) [2455R--01000844](#) [2455R 80580176](#) [2455R--90820376](#) [2455R--90820597](#) [2455RA-94170955](#) [2455RC-00980620](#) [2455RCG81170352](#) [2455RM03090005](#) [2455RM 80820736](#) [2455RM-90980499](#) [2455RP-91000430](#) [2455RP-91000433](#) [2455RP-91000436](#) [2455RP-91000442](#) [300004500021](#) [300004520005](#) [300004530001](#) [300005510137](#) [300005510148](#) [3000-46-29](#) [300100140436](#) [300100240216](#) [300100630004](#) [3001 00830006](#) [A1006505](#) [A1011005](#) [2450G 83950014](#) [2450RC-90820307](#) [2455R--00030829](#) [2455R--01000140](#) [2455R 01060062](#)