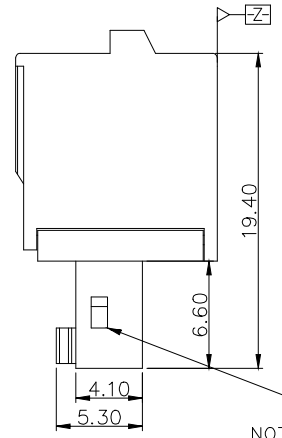
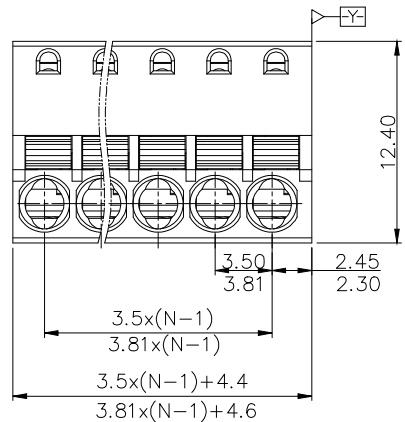
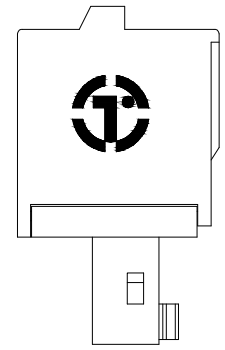
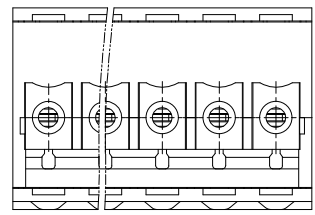
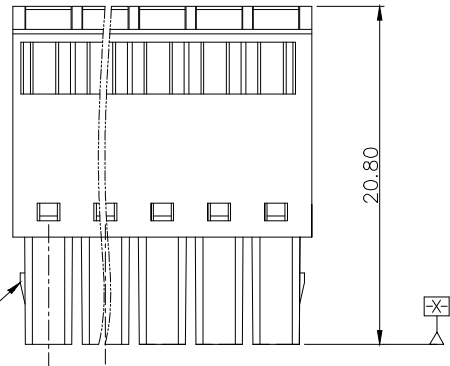


REVISION RECORD				
REV	ECN	DESCRIPTION	DRFT	DATE

H
G
F
E
D
C
B
A



NOTE: 2-6P With drill hole,
7-24P without drill hole



NOTES1:

- UL Standard
- 1. Rated Voltage/Current : 300V / 8A
- 2. Withstanding Voltage : AC1600V/1Min.
- 3. Wire Range : 28~16AWG

IEC Standard

1. Pollution Degree	3
Overvoltage Category	II
Rate Impulse Voltage(KV)	2.5KV
Rate Voltage(V)	250V
Rate Current(A)	12A

2. Wire Range : 0.2~1.5mm²

NOTES2:

- 1. Dimension shall be interpreted per ASME Y14.5-2009
- 2. Pitch : 3.50/3.81mm, Poles : N=2-24P
- 3. Stripping length : 8.0mm
- 4. Operating temperature: -40°C~+105°C
- 5. Undimensioned Tolerances:

Pitch range in mm		Nominal dimension range in mm				0.1/10		
Over 6	Over 10	Over 30	Over 60	Over 100	Over 150	0.1/10		
To 10	To 24	To 30	To 60	To 100	To 150			
±0.15	±0.20	±0.30	±0.30	±0.50	±0.70	±1.00	±1.30	±2'

6. RoHS Compliance

15ET YKD - 3.5/3.81 - XXP - 1Y - 00A (H)
 (Series No.) (Pitch) (Poles) (Single Pitch) (Color)
 (RoHS)
 00A-(Standard)
 1.(Grey)
 2.(Blue)
 3.(Black)
 4.(Green)
 5.(Orange)
 6.(Red)
 7.(Transparent)
 8.(Yellow)
 9.(White)

DETACHED LISTS	PART NO.:	拓宜 (上海) 工控电器设备有限公司		
	APPD: /	NAME: 15ET YKD-3.5/3.81-XXP-1Y-00A(H)		
	CHKD: /	TITLE: CUSTOMER DRAWING		REV: DO
	DRFT: /	DRAWING NO.: /		SHEET: 1/1
	THIRD ANGLE PROJECTION	MM (INCH)	DO NOT SCALE DRAWING	SCALE: 1:1

X-ON Electronics

Largest Supplier of Electrical and Electronic Components

Click to view similar products for [Pluggable Terminal Blocks](#) category:

Click to view products by [Toponelec](#) manufacturer:

Other Similar products are found below :

[57.510.0053](#) [721-104/026-047](#) [721-204/026-045](#) [MC 1.5/ 6-ST-3.5 GY AU](#) [ET02015000J0G](#) [860505](#) [860516](#) [860810](#) [GBPACX-12](#)
[93.731.4953.0](#) [PVP03-3,50](#) [PVS02-5,00](#) [1-1986160-3](#) [1377680000](#) [1531000000](#) [1546228-5](#) [ELFP03110](#) [ELFP10210](#) [ELFT07250](#)
[ELVD12100](#) [ELVF09400](#) [ELXH071G0E](#) [1725220000](#) [1760336](#) [1855000000](#) [19346](#) [1946309](#) [1973592](#) [19892](#) [25.320.4053.1](#) [25.320.4553.9](#)
[25.320.4753.1](#) [25.320.5453.1](#) [25.340.0353.1](#) [25.340.1053.1](#) [25.345.3553.0M001](#) [25.640.3553.1](#) [SH02-5,08](#) [SH06-3,81](#) [SH08-5,08](#) [SH08-](#)
[5,08-K](#) [SH12-5,08](#) [SHS04-5,00](#) [30.303](#) [30.305](#) [30.306](#) [PHP09-5,08](#) [25.193.0453.0](#) [25.320.4653.1](#) [25.332.2453.1](#)