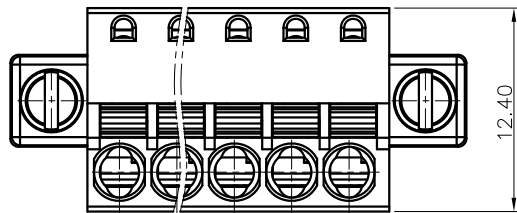


REVISION RECORD				
REV	ECN	DESCRIPTION	DRFT	DATE



**Material :**

- (a) Housing : PA66(UL94V-0)
- (b) Button : POM
- (c) Spring : Stainless Steel
- (d) Clamp : Phosphor Bornze
- (e) Cover : PA66(UL94V-0)

**NOTES1:**

UL Standard

- 1. Rated Voltage/Current : 300V / 8A
- 2. Withstanding Voltage : AC1600V/1Min.
- 3. Wire Range : 28~16AWG

IEC Standard

1. Pollution Degree	3
Overvoltage Category	II
Rate Impulse Voltage(KV)	2.5KV
Rate Voltage(V)	250V
Rate Current(A)	12A

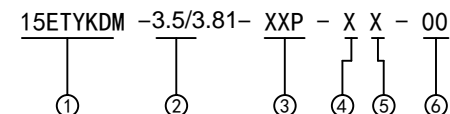
2. Wire Range : 0.2~1.5mm<sup>2</sup>

**NOTES2:**

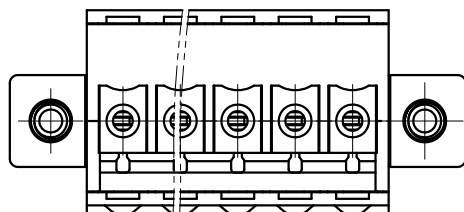
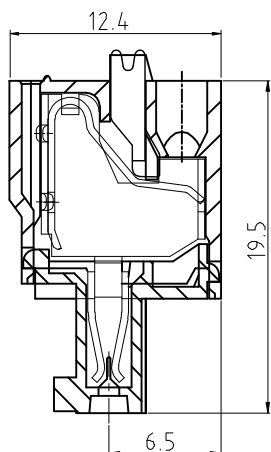
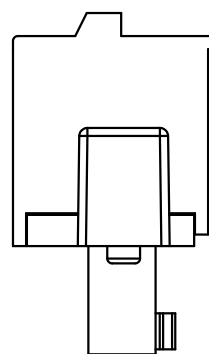
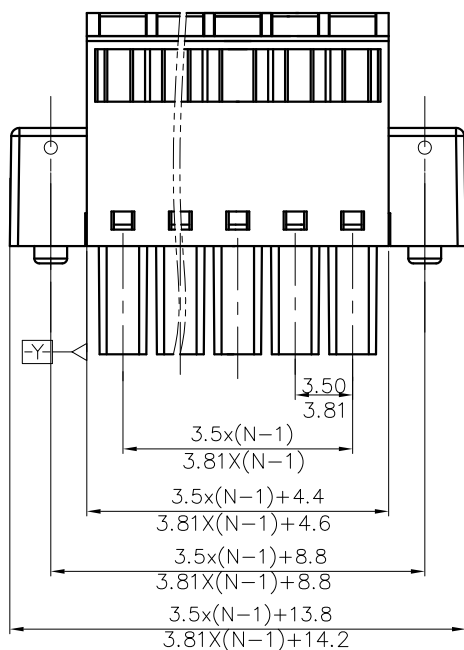
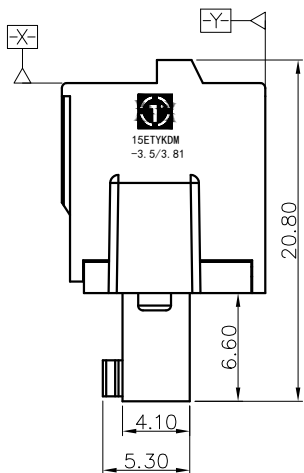
- 1. Dimension shall be interpreted per ASME Y14.5-2009
- 2. Pitch : 3.50/3.81mm, Poles : N=2-20P
- 3. Stripping length : 9mm
- 4. Operating temperature: -40°C~+105°C
- 5. Undimensioned Tolerances:

Pitch range in mm		Nominal dimension range in mm				Tolerances	
TO	Over	TO	Over	TO	Over	TO	Over
6	10	30	60	100	150	0.1	10
±0.15	±0.20	±0.30	±0.50	±0.70	±1.00	±1.30	±2'

6. RoHS Compliance



- ① Series No.
- ② Pitch
- ③ Poles  
02 02Contacts  
03 03Contacts  
...  
24 24Contacts
- ④ 1 Single Pitch  
2 Double Pitch
- ⑤ Color: 1 Grey  
2 Blue  
3 Black  
4 Green(Standard For AH)  
5 Orange  
6 Red  
7 Transparent  
8 Yellow  
9 White
- ⑥ Customer Request :  
00--Standard



DETACHED LISTS	PART NO.: NICK/11/08/18'	拓宜(上海)工控电器设备有限公司 Topone(Shanghai) Industrial Control Electrical Equipment Co., LTD.		
	APPD: /	NAME: 15ETYKDM-3.5/3.81-XXP-XX-00		
	CHKD: /	TITLE: CUSTOMER DRAWING	REV	DO
	DRFT: /	DRAWING NO.: /	SHEET	1/1
THIRD ANGLE PROJECTION		DO NOT SCALE DRAWING SCALE: 1:1		

## X-ON Electronics

Largest Supplier of Electrical and Electronic Components

*Click to view similar products for [Pluggable Terminal Blocks](#) category:*

*Click to view products by [Toponelec](#) manufacturer:*

Other Similar products are found below :

[57.510.0053](#) [721-104/026-047](#) [721-204/026-045](#) [MC 1.5/ 6-ST-3.5 GY AU](#) [ET02015000J0G](#) [860505](#) [860516](#) [860810](#) [GBPACX-12](#)  
[93.731.4953.0](#) [PVP03-3,50](#) [PVS02-5,00](#) [1-1986160-3](#) [1377680000](#) [1531000000](#) [1546228-5](#) [ELFP03110](#) [ELFP10210](#) [ELFT07250](#)  
[ELVD12100](#) [ELVF09400](#) [ELXH071G0E](#) [1725220000](#) [1760336](#) [1855000000](#) [19346](#) [1946309](#) [1973592](#) [19892](#) [25.320.4053.1](#) [25.320.4553.9](#)  
[25.320.4753.1](#) [25.320.5453.1](#) [25.340.0353.1](#) [25.340.1053.1](#) [25.345.3553.0M001](#) [25.640.3553.1](#) [SH02-5,08](#) [SH06-3,81](#) [SH08-5,08](#) [SH08-](#)  
[5,08-K](#) [SH12-5,08](#) [SHS04-5,00](#) [30.303](#) [30.305](#) [30.306](#) [PHP09-5,08](#) [25.193.0453.0](#) [25.320.4653.1](#) [25.332.2453.1](#)