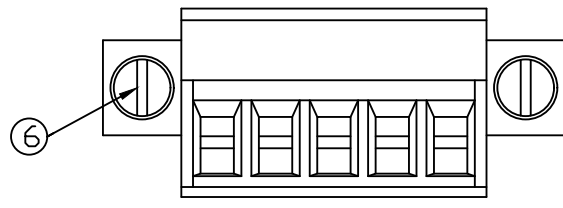
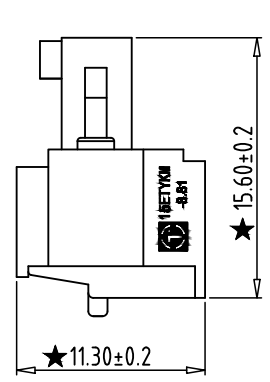
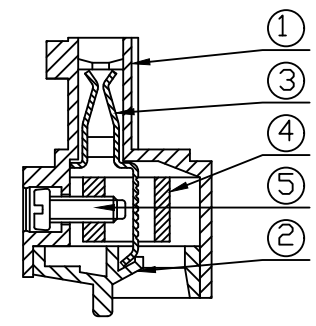
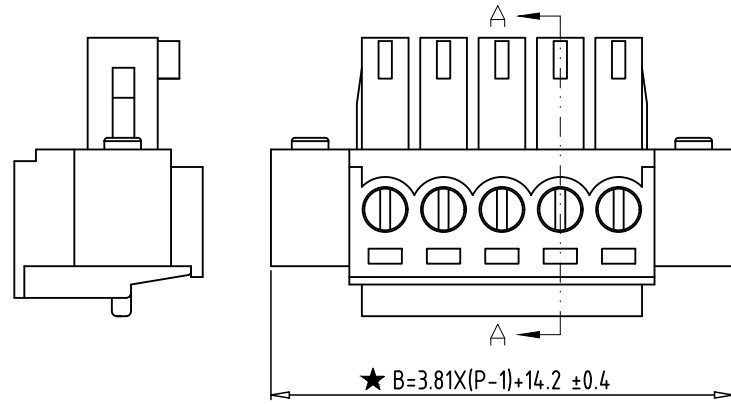
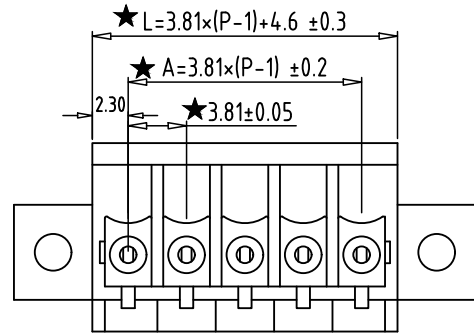
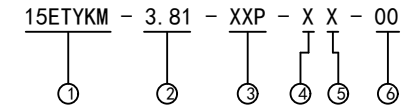


REV	CONTENT	CHK	DATE
V0.0	CONTENT	YL	22.11.21



Electrical :

- | | | |
|---|----------------|------------------------|
| | UL | IEC |
| 1. Rated Voltage : | 300V | 250V |
| 2. Rated Current : | 8A | 7A |
| 3. Torque Value : | M2 , 1.77Lb.in | M2, 0.2N.m |
| 4. Wire Range: | 28-16AWG | 0.5-1.5mm ² |
| 5. Stripping Length : | 6-7mm | |
| 6. Withstanding Voltage : | AC1600V/1Min. | |
| 7. Operating Temperature : | -40°C~+105°C | |
| 8. RoHS Compliance | | |
| 9. ★ " " is the key quality control point | | |



- ① Series No.
- ② Pitch
- ③ Poles
02 02Contacts
03 03Contacts
...
24 24Contacts
- ④ 1 Single Pitch
2 Double Pitch
- ⑤ Color: 1 Grey
2 Blue
3 Black
4 Green
5 Orange
6 Red
7 Transparent
8 Yellow
9 White
- ⑥ Customer Request : 00--Standard

6	SCREW-02	XX	2	Steel	Zn Plated
5	SCREW-01	XX	P	Steel	Zn Plated
4	BLOCK	XX	P	Brass	Ni Plated
3	CLAMP	XX	P	Phosphor Bronze	Ni Plated
2	COVER	XX	1	PA66(UL94V-0)	SEE NOTE
1	HOUSING	XX	1	PA66(UL94V-0)	SEE NOTE

ITEM	NAME OF PART	NO. OF PART	Q'TY	MATERIAL	NOTE
DWG.	YL	DATE	22.11.21	SIZE	A4 UNITS mm SHEET/OF 1 / 1
CHK.	DATE		SCALE	1:1	
APP.	DATE				
				NAME 15ETYKM-3.81-XXP-XX-00	
				DWGNO. XXXX	

Total Pitch Tolerances in mm										Nominal dimension range in mm										⊥	≡	-	//					
over 0	over 30	over 53	over 70	over 90	over 115	over 150	over 250	over 350	over 500	over 0	over 30	over 53	over 70	over 90	over 115	over 150	over 200	over 250	over 320	0	over 10	over 0	over 100	over 150				
to 30	to 53	to 70	to 90	to 115	to 150	to 250	to 350	to 500		to 30	to 53	to 70	to 90	to 115	to 150	to 200	to 250	to 320	to 10	10	all	to 100	to 150	150				
±0.18	±0.20	±0.25	±0.3	±0.35	±0.44	±0.60	±0.70	±0.85	±0.20	±0.25	±0.30	±0.35	±0.44	±0.55	±0.70	±0.80	±0.90	0.2	0.3	0.3	0.2	0.3	0.5					

X-ON Electronics

Largest Supplier of Electrical and Electronic Components

Click to view similar products for [Pluggable Terminal Blocks](#) category:

Click to view products by [Toponelec](#) manufacturer:

Other Similar products are found below :

[57.510.0053](#) [721-104/026-047](#) [721-204/026-045](#) [MC 1.5/ 6-ST-3.5 GY AU](#) [ET02015000J0G](#) [860505](#) [860516](#) [860810](#) [GBPACX-12](#)
[93.731.4953.0](#) [PVP03-3,50](#) [PVS02-5,00](#) [1-1986160-3](#) [1377680000](#) [1531000000](#) [1546228-5](#) [ELFP03110](#) [ELFP10210](#) [ELFT07250](#)
[ELVD12100](#) [ELVF09400](#) [ELXH071G0E](#) [1725220000](#) [1760336](#) [1855000000](#) [19346](#) [1946309](#) [1973592](#) [19892](#) [25.320.4053.1](#) [25.320.4553.9](#)
[25.320.4753.1](#) [25.320.5453.1](#) [25.340.0353.1](#) [25.340.1053.1](#) [25.345.3553.0M001](#) [25.640.3553.1](#) [SH02-5,08](#) [SH06-3,81](#) [SH08-5,08](#) [SH08-](#)
[5,08-K](#) [SH12-5,08](#) [SHS04-5,00](#) [30.303](#) [30.305](#) [30.306](#) [PHP09-5,08](#) [25.193.0453.0](#) [25.320.4653.1](#) [25.332.2453.1](#)