

REVISION RECORD

| REV | ECN | DESCRIPTION | DRFT | DATE |
|-----|-----|-------------|------|------|
|-----|-----|-------------|------|------|

NOTES1:

UL Standard

1. Rated voltage/current : 300V / 8A
2. Withstanding voltage : AC1600V/1Min.

IEC Standard

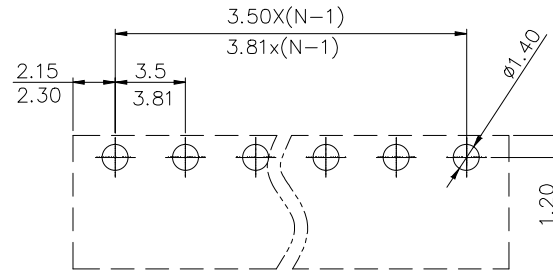
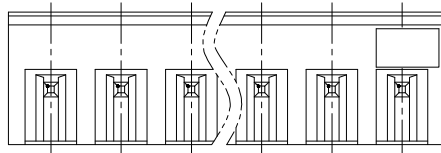
| | |
|--------------------------|-------|
| 1. Pollution Degree | 2 |
| Overvoltage Category | II |
| Rate Impulse Voltage(KV) | 2.5KV |
| Rate Voltage(V) | 250V |
| Rate Current(A) | 7A |

NOTES2:

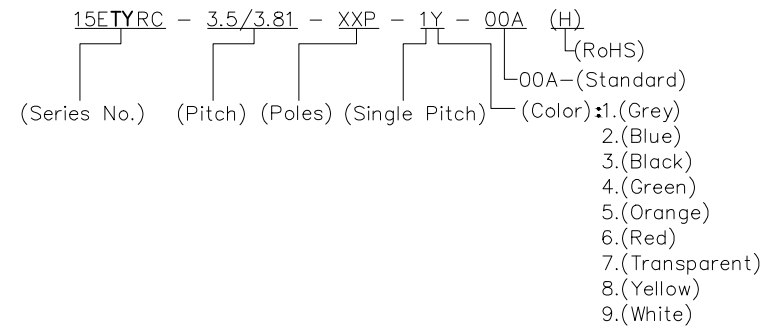
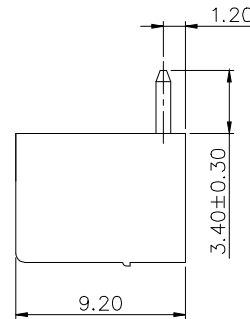
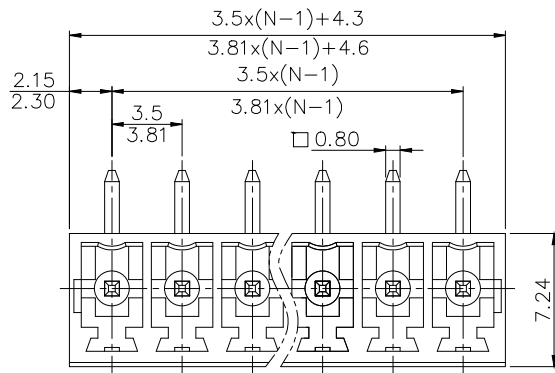
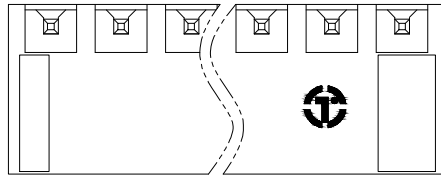
1. Dimension shall be interpreted per ASME Y14.5-2009
2. Pitch : 3.5/3.81mm, Poles : N=02~24P
3. Operating temperature: -40°C~+105°C
4. Undimensioned tolerances:

| Pitch range in mm | | Nominal dimension range in mm | | | | | | - | ∩ | ∠ |
|-------------------|-------|-------------------------------|-------|-------|-------|-------|-------|---|-----|---|
| To | Over | Over | Over | Over | Over | Over | | | | |
| 6 | 10 | 10 | 30 | 60 | 100 | 150 | | | | |
| TO | TO | TO | TO | TO | TO | TO | | | | |
| 6 | 10 | 24 | 30 | 60 | 100 | 150 | | | | |
| ±0.15 | ±0.20 | ±0.30 | ±0.30 | ±0.50 | ±0.70 | ±1.00 | ±1.30 | | ±2° | |

5. RoHS Compliance



PCB LAYOUT



| | | | | | |
|------------------------|--------------|--------------------------------------|----------------------|-------|-----|
| DETACHED LISTS | PART NO.: | 拓宜 (上海) 工控电器设备有限公司 | | | |
| | APPD: | NAME: 15ETYRC-3.5/3.81-XXP-1Y-00A(H) | | | |
| | CHKD: | TITLE: CUSTOMER DRAWING | | | |
| | DRFT: | REV | DO | | |
| | DRAWING NO.: | | SHEET | 1/1 | |
| THIRD ANGLE PROJECTION | | MM (INCH) | DO NOT SCALE DRAWING | SCALE | 1:1 |

X-ON Electronics

Largest Supplier of Electrical and Electronic Components

Click to view similar products for [Pluggable Terminal Blocks](#) category:

Click to view products by [Toponelec](#) manufacturer:

Other Similar products are found below :

[57.510.0053](#) [MC 1.5/ 6-ST-3.5 GY AU](#) [ET02015000J0G](#) [734-104](#) [734-302](#) [860505](#) [860516](#) [860810](#) [GBPACX-12](#) [93.731.4953.0](#) [PV05-5,08-K](#) [PVP03-3,50](#) [PVP04-3,50](#) [PVS02-5,00](#) [1-1986160-3](#) [1377680000](#) [1531000000](#) [1546228-5](#) [ELFP03110](#) [ELFT07250](#) [ELVD12100](#) [ELVF09400](#) [ELVP03100](#) [ELXH071G0E](#) [1700410](#) [1702246](#) [1705229](#) [1714537](#) [1717806](#) [1719600](#) [1728941](#) [1734692](#) [1734795](#) [1740291](#) [1740628](#) [1746952](#) [1750207](#) [1752865](#) [1754115](#) [1754144](#) [1756913](#) [1760051](#) [1760336](#) [1765111](#) [1776388](#) [1777701](#) [1783410](#) [1800227](#) [1801080](#) [1809474](#)