

REVISION RECORD

| REV | ECN | DESCRIPTION | DRFT | DATE |
|-----|-----|-------------|------|------|
|     |     |             |      |      |

NOTES1:

UL Standard

1. Rated voltage/current : 300V / 8A
2. Withstanding voltage : AC1600V/1Min.

IEC Standard

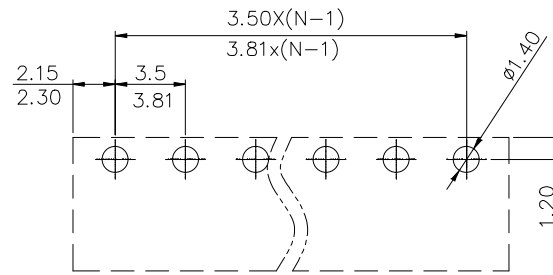
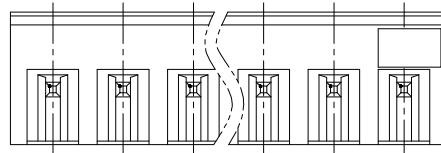
|                          |       |
|--------------------------|-------|
| 1. Pollution Degree      | 2     |
| Overvoltage Category     | II    |
| Rate Impulse Voltage(KV) | 2.5KV |
| Rate Voltage(V)          | 250V  |
| Rate Current(A)          | 7A    |

NOTES2:

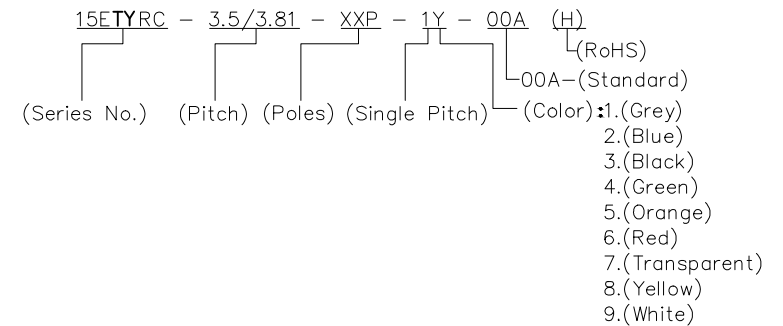
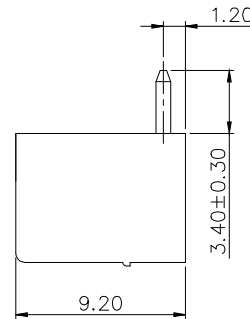
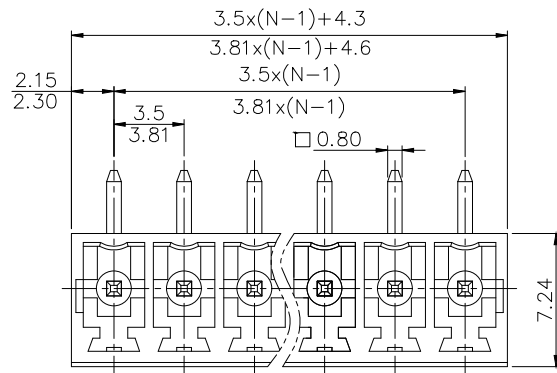
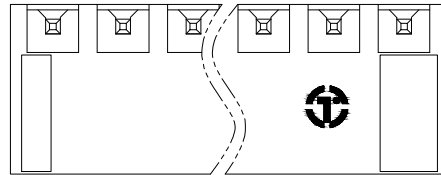
1. Dimension shall be interpreted per ASME Y14.5-2009
2. Pitch : 3.5/3.81mm, Poles : N=02~24P
3. Operating temperature: -40°C~+105°C
4. Undimensioned tolerances:

| Pitch range in mm |       | Nominal dimension range in mm |       |       |       |       |       | - | ∩   | ∠ |
|-------------------|-------|-------------------------------|-------|-------|-------|-------|-------|---|-----|---|
| To                | Over  | Over                          | Over  | Over  | Over  | Over  |       |   |     |   |
| 6                 | 10    | 10                            | 30    | 60    | 100   | 150   |       |   |     |   |
| TO                | TO    | TO                            | TO    | TO    | TO    | TO    |       |   |     |   |
| 6                 | 10    | 24                            | 30    | 60    | 100   | 150   |       |   |     |   |
| ±0.15             | ±0.20 | ±0.30                         | ±0.30 | ±0.50 | ±0.70 | ±1.00 | ±1.30 |   | ±2° |   |

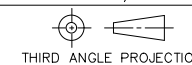
5. RoHS Compliance



PCB LAYOUT



|                |              |                                      |                      |           |           |
|----------------|--------------|--------------------------------------|----------------------|-----------|-----------|
| DETACHED LISTS | PART NO.:    | 拓宜 (上海) 工控电器设备有限公司                   |                      |           |           |
|                | APPD:        | NAME: 15ETYRC-3.5/3.81-XXP-1Y-00A(H) |                      |           |           |
|                | CHKD:        | TITLE: CUSTOMER DRAWING              |                      |           |           |
|                | DRFT:        | REV                                  | DO                   | SHEET 1/1 |           |
|                | DRAWING NO.: |                                      | DO NOT SCALE DRAWING |           | SCALE 1:1 |



THIRD ANGLE PROJECTION

MM (INCH)

DO NOT SCALE DRAWING

SCALE 1:1

## X-ON Electronics

Largest Supplier of Electrical and Electronic Components

*Click to view similar products for [Pluggable Terminal Blocks](#) category:*

*Click to view products by [Toponelec](#) manufacturer:*

Other Similar products are found below :

[57.510.0053](#) [MC 1.5/ 6-ST-3.5 GY AU](#) [ET02015000J0G](#) [734-104](#) [734-302](#) [860505](#) [860516](#) [860810](#) [GBPACX-12](#) [93.731.4953.0](#) [PV05-5,08-K](#) [PVP03-3,50](#) [PVP04-3,50](#) [PVS02-5,00](#) [1-1986160-3](#) [1377680000](#) [1531000000](#) [1546228-5](#) [ELFP03110](#) [ELFT07250](#) [ELVD12100](#) [ELVF09400](#) [ELVP03100](#) [ELXH071G0E](#) [1700410](#) [1702246](#) [1705229](#) [1714537](#) [1717806](#) [1719600](#) [1728941](#) [1734692](#) [1734795](#) [1740291](#) [1740628](#) [1746952](#) [1750207](#) [1752865](#) [1754115](#) [1754144](#) [1756913](#) [1760051](#) [1760336](#) [1765111](#) [1776388](#) [1777701](#) [1783410](#) [1800227](#) [1801080](#) [1809474](#)