

REVISION RECORD

REV	ECN	DESCRIPTION	DRFT	DATE
-----	-----	-------------	------	------

NOTES1:

UL Standard

1. Rated voltage/current : 300V / 8A

2. Withstanding voltage : AC1600V/1Min.

IEC Standard

1. Pollution Degree	2
Overvoltage Category	II
Rate Impulse Voltage(KV)	2.5KV
Rate Voltage(V)	250V
Rate Current(A)	7A

NOTES2:

1. Dimension shall be interpreted per ASME Y14.5-2009

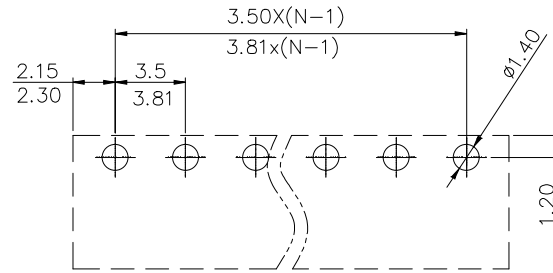
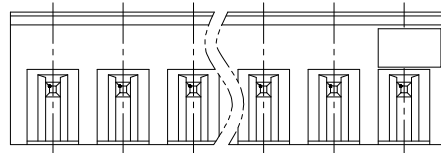
2. Pitch : 3.5/3.81mm, Poles : N=02~24P

3. Operating temperature: -40°C~+105°C

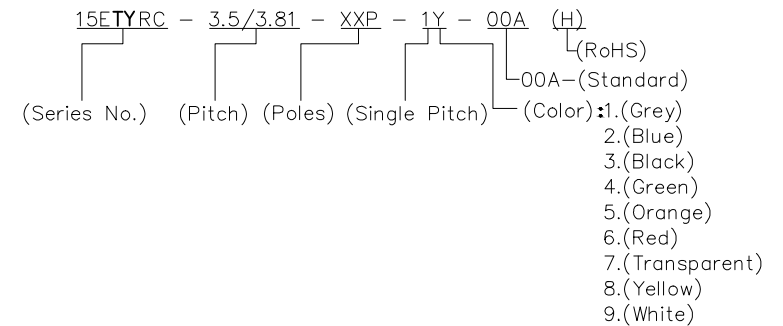
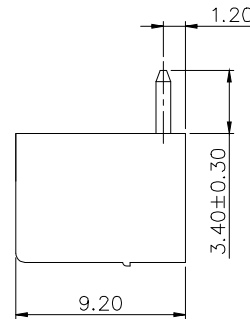
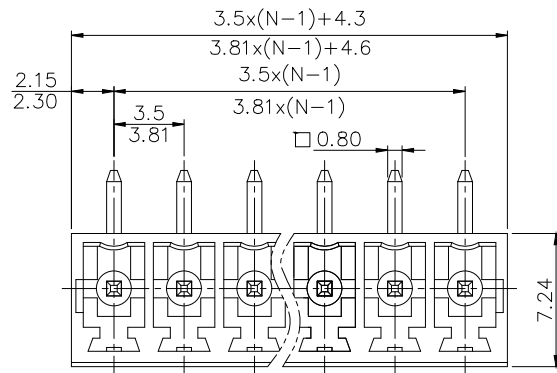
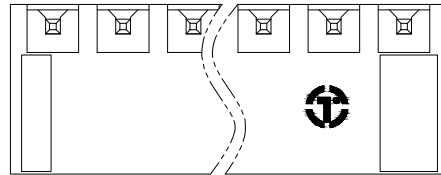
4. Undimensioned tolerances:

Pitch range in mm		Nominal dimension range in mm						-	∩	∠
To	Over	Over	Over	Over	Over	Over				
6	10	10	30	60	100	150				
TO	TO	TO	TO	TO	TO	TO				
6	10	24	30	60	100	150				
±0.15	±0.20	±0.30	±0.30	±0.50	±0.70	±1.00	±1.30		±2°	

5. RoHS Compliance



PCB LAYOUT



DETACHED LISTS	PART NO.:	拓宜 (上海) 工控电器设备有限公司			
	APPD:	NAME: 15ETYRC-3.5/3.81-XXP-1Y-00A(H)			
	CHKD:	TITLE: CUSTOMER DRAWING		REV	DO
	DRFT:	DRAWING NO.:		SHEET	1/1
THIRD ANGLE PROJECTION		DO NOT SCALE DRAWING		SCALE	1:1

H  
G  
F  
E  
D  
C  
B  
A

## X-ON Electronics

Largest Supplier of Electrical and Electronic Components

*Click to view similar products for [Pluggable Terminal Blocks](#) category:*

*Click to view products by [Toponelec](#) manufacturer:*

Other Similar products are found below :

[57.510.0053](#) [MC 1.5/ 6-ST-3.5 GY AU](#) [ET02015000J0G](#) [860505](#) [860516](#) [860810](#) [GBPACX-12](#) [93.731.4953.0](#) [PV05-5,08-K](#) [PVP03-3,50](#)  
[PVS02-5,00](#) [1-1986160-3](#) [1377680000](#) [1531000000](#) [1546228-5](#) [ELFP03110](#) [ELFP10210](#) [ELFT07250](#) [ELVD12100](#) [ELVF09400](#)  
[ELVP03100](#) [ELXH071G0E](#) [1700410](#) [1746952](#) [1760336](#) [1800272](#) [1809474](#) [1855000000](#) [19346](#) [1946309](#) [1950227](#) [1973592](#) [19892](#) [2-](#)  
[1546857-6](#) [25.320.4053.1](#) [25.320.4553.9](#) [25.320.4753.1](#) [25.320.5453.1](#) [25.340.0353.1](#) [25.340.1053.1](#) [25.345.3553.0M001](#) [25.640.3553.1](#)  
[SH02-5,08](#) [SH06-3,81](#) [SH08-5,08](#) [SH08-5,08-K](#) [SH12-5,08](#) [SHS04-5,00](#) [30.303](#) [30.305](#)