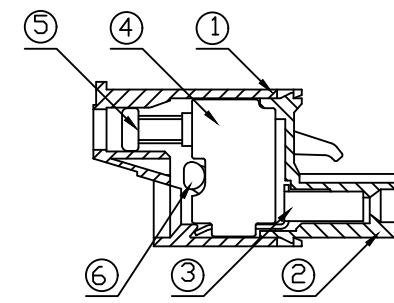
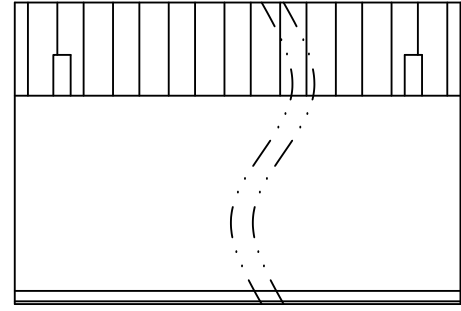


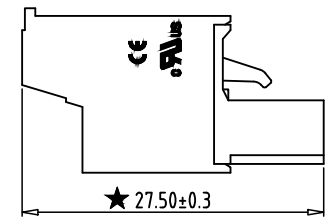
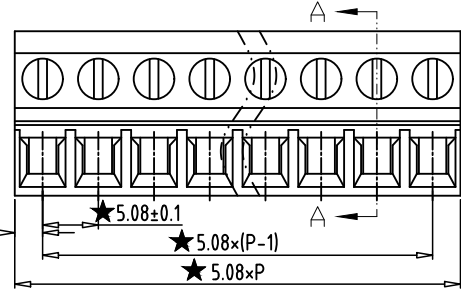
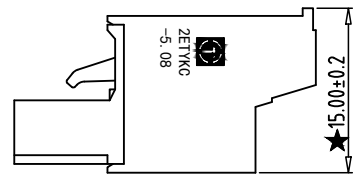
REV	CONTENT	CHK	DATE
VO.0	CONTENT	YL	22.11.17

**Electrical :**

- |  |                 |                    |
|--|-----------------|--------------------|
|  | UL              | IEC                |
| 1. Rated Voltage :                       | 300V            | 320V               |
| 2. Rated Current :                       | 10A             | 20A                |
| 3. Torque Value :                        | M2.5 ,3.54Lb.in | M2.5, 0.4N.m       |
| 4. Wire Range:                           | 28-12AWG        | 2.5mm <sup>2</sup> |
| 5. Stripping Length :                    | 9-10mm          |                    |
| 6. Withstanding Voltage :                | AC1600V/1Min.   |                    |
| 7. Operating Temperature :               | -40°C~-+105°C   |                    |
| 8. RoHS Compliance                       |                 |                    |
| 9. Safty Approval :                      | cULus CE        |                    |
| 10. "★" is the key quality control point |                 |                    |



SECTION A-A



2ETYKC - 5.08 - XXP - X X - 00

- |              |         |   |                                    |  |                                  |
|--------------|---------|---|------------------------------------|--|----------------------------------|
| ①            | ②       | ③   | ④                                  | ⑤  | ⑥                                |
| ① Series NO. | ② Pitch | ③ Poles<br>02 02Contacts<br>03 03Contacts<br>...<br>24 24Contacts | ④ 1 Single Pitch<br>2 Double Pitch | ⑤ Color: 1 Grey<br>2 Blue<br>3 Black<br>4 Green<br>5 Orange<br>6 Red<br>7 Transparent<br>8 Yellow<br>9 White | ⑥ Customer Request: 00--Standard |

6	SLIDER	XX	P	STEEL	Zn Plated
5	SCREW	XX	P	STEEL	Zn Plated
4	CAGE	XX	P	STEEL	Zn Plated
3	CLAMP	XX	P	Phosphor Bronze	Ni Plated
2	COVER	XX	1	PA66 UL94V-0	SEE NOTE
1	HOUSING	XX	1	PA66 UL94V-0	SEE NOTE

Total Pitch Tolerances in mm										Nominal dimension range in mm										⊥	=	-	//					
over	over	over	over	over	over	over	over	over	over	over	over	over	over	over	over	over	over	over	over	0	over	0	over	0	over	0	over	
0	30	53	70	90	115	150	250	350	500	0	30	53	70	90	115	150	200	250	320	10	all	10	100	10	100	150	150	
±0.18	±0.20	±0.25	±0.3	±0.35	±0.44	±0.60	±0.70	±0.85	±0.20	±0.25	±0.30	±0.35	±0.44	±0.55	±0.70	±0.80	±0.90	0.2	0.3	0.3	0.3	0.2	0.3	0.5				

ITEM	NAME OF PART	NO. OF PART	Q'TY	MATERIAL	NOTE
DWG.	YL	DATE	22.11.17	SIZE	A4 UNITS mm SHEET/OF 1 / 1
CHK.	DATE			SCALE	1:1
APP.	DATE				
				NAME	2ETYKC-5.08-XXP-XX-00
				DWGNO.	XXXX

## X-ON Electronics

Largest Supplier of Electrical and Electronic Components

*Click to view similar products for [Pluggable Terminal Blocks](#) category:*

*Click to view products by [Toponelec](#) manufacturer:*

Other Similar products are found below :

[57.510.0053](#) [721-104/026-047](#) [721-204/026-045](#) [MC 1.5/ 6-ST-3.5 GY AU](#) [ET02015000J0G](#) [860505](#) [860516](#) [860810](#) [GBPACX-12](#)  
[93.731.4953.0](#) [PVP03-3,50](#) [PVS02-5,00](#) [1-1986160-3](#) [1377680000](#) [1531000000](#) [1546228-5](#) [ELFP03110](#) [ELFP10210](#) [ELFT07250](#)  
[ELVD12100](#) [ELVF09400](#) [ELXH071G0E](#) [1725220000](#) [1760336](#) [1855000000](#) [19346](#) [1946309](#) [1973592](#) [19892](#) [25.320.4053.1](#) [25.320.4553.9](#)  
[25.320.4753.1](#) [25.320.5453.1](#) [25.340.0353.1](#) [25.340.1053.1](#) [25.345.3553.0M001](#) [25.640.3553.1](#) [SH02-5,08](#) [SH06-3,81](#) [SH08-5,08](#) [SH08-](#)  
[5,08-K](#) [SH12-5,08](#) [SHS04-5,00](#) [30.303](#) [30.305](#) [30.306](#) [PHP09-5,08](#) [25.193.0453.0](#) [25.320.4653.1](#) [25.332.2453.1](#)