

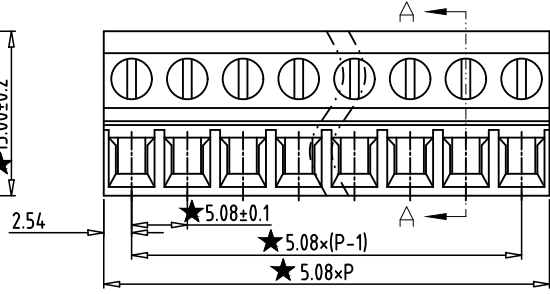
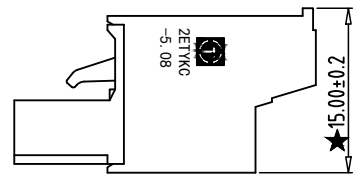
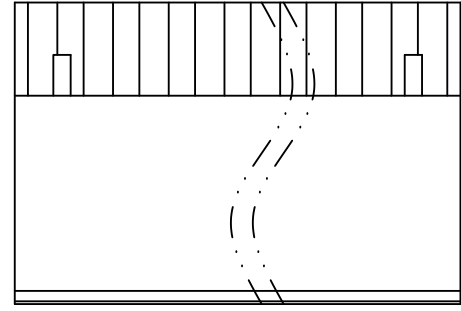
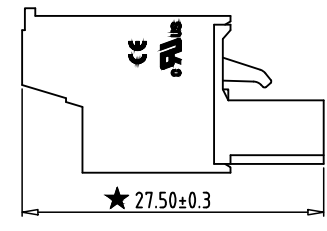
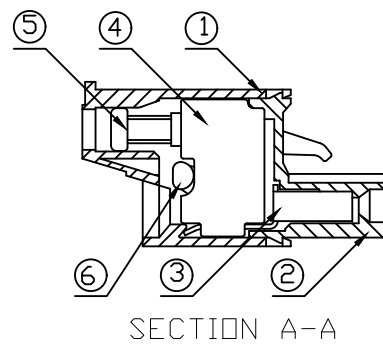
REV	CONTENT	CHK	DATE
VO.0	CONTENT	YL	22.11.17

**Electrical :**

- |  |                 |                    |
|--|-----------------|--------------------|
|  | UL              | IEC                |
| 1. Rated Voltage :                       | 300V            | 320V               |
| 2. Rated Current :                       | 10A             | 20A                |
| 3. Torque Value :                        | M2.5 ,3.54Lb.in | M2.5, 0.4N.m       |
| 4. Wire Range:                           | 28-12AWG        | 2.5mm <sup>2</sup> |
| 5. Stripping Length :                    | 9-10mm          |                    |
| 6. Withstanding Voltage :                | AC1600V/1Min.   |                    |
| 7. Operating Temperature :               | -40°C~+105°C    |                    |
| 8. RoHS Compliance                       |                 |                    |
| 9. Safty Approval :                      | cULus CE        |                    |
| 10. "★" is the key quality control point |                 |                    |

2ETYKC - 5.08 - XXP - X X - 00

①	②	③	④	⑤	⑥
① Series NO.	② Pitch	③ Poles	④ 1 Single Pitch 2 Double Pitch	⑤ Color: 1 Grey 2 Blue 3 Black 4 Green 5 Orange 6 Red 7 Transparent 8 Yellow 9 White	⑥ Customer Request: 00--Standard
		02 02Contacts 03 03Contacts ... 24 24Contacts			



6	SLIDER	XX	P	STEEL	Zn Plated
5	SCREW	XX	P	STEEL	Zn Plated
4	CAGE	XX	P	STEEL	Zn Plated
3	CLAMP	XX	P	Phosphor Bronze	Ni Plated
2	COVER	XX	1	PA66 UL94V-0	SEE NOTE
1	HOUSING	XX	1	PA66 UL94V-0	SEE NOTE

ITEM	NAME OF PART	NO. OF PART	Q'TY	MATERIAL	NOTE
DWG.	YL	DATE	22.11.17	SIZE	A4 UNITS mm SHEET/OF 1 / 1
CHK.	DATE			SCALE	1:1
APP.	DATE				
				NAME	2ETYKC-5.08-XXP-XX-00
				DWGNO.	XXXX

**拓宜(上海)工控电器设备有限公司**  
Topone(Shanghai) Industrial Control Electrical Equipment Co., LTD.

Total Pitch Tolerances in mm										Nominal dimension range in mm										⊥		≡		—		//	
over	over	over	over	over	over	over	over	over	over	over	over	over	over	over	over	over	over	over	over	over	over	over	over	over	over	over	over
0	30	53	70	90	115	150	250	350	500	0	30	53	70	90	115	150	200	250	320	0	10	0	100	0	100	0	150
to	to	to	to	to	to	to	to	to	to	to	to	to	to	to	to	to	to	to	to	to	to	to	to	to	to	to	to
30	53	70	90	115	150	250	350	500	500	30	53	70	90	115	150	200	250	320	320	10	10	100	150	100	150	0.2	0.3
±0.18	±0.20	±0.25	±0.3	±0.35	±0.44	±0.60	±0.70	±0.85	±0.20	±0.25	±0.30	±0.35	±0.44	±0.55	±0.70	±0.80	±0.90	0.2	0.3	0.3	0.3	0.2	0.3	0.2	0.3	0.2	0.5

## X-ON Electronics

Largest Supplier of Electrical and Electronic Components

*Click to view similar products for [Pluggable Terminal Blocks](#) category:*

*Click to view products by [Toponelec](#) manufacturer:*

Other Similar products are found below :

[57.510.0053](#) [721-104/026-047](#) [721-204/026-045](#) [MC 1.5/ 6-ST-3.5 GY AU](#) [ET02015000J0G](#) [860505](#) [860516](#) [860810](#) [GBPACX-12](#)  
[93.731.4953.0](#) [PVP03-3,50](#) [PVS02-5,00](#) [1-1986160-3](#) [1377680000](#) [1531000000](#) [1546228-5](#) [ELFP03110](#) [ELFP10210](#) [ELFT07250](#)  
[ELVD12100](#) [ELVF09400](#) [ELXH071G0E](#) [1725220000](#) [1760336](#) [1855000000](#) [19346](#) [1946309](#) [1973592](#) [19892](#) [25.320.4053.1](#) [25.320.4553.9](#)  
[25.320.4753.1](#) [25.320.5453.1](#) [25.340.0353.1](#) [25.340.1053.1](#) [25.345.3553.0M001](#) [25.640.3553.1](#) [SH02-5,08](#) [SH06-3,81](#) [SH08-5,08](#) [SH08-](#)  
[5,08-K](#) [SH12-5,08](#) [SHS04-5,00](#) [30.303](#) [30.305](#) [30.306](#) [PHP09-5,08](#) [25.193.0453.0](#) [25.320.4653.1](#) [25.332.2453.1](#)