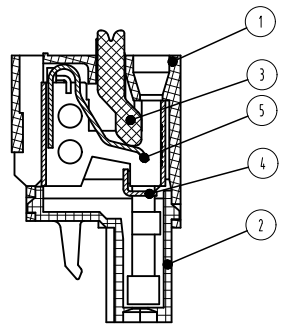
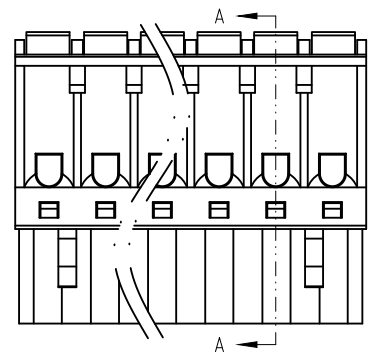
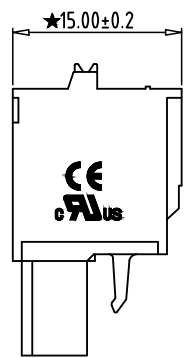
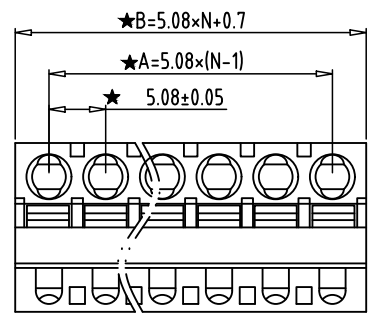
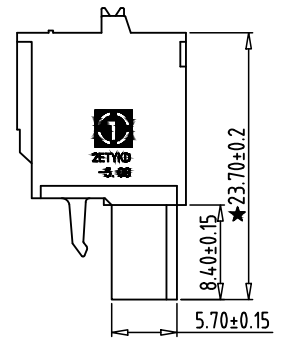


REV	CONTENT	CHK	DATE
VO.0	CONTENT	YL	22.11.16

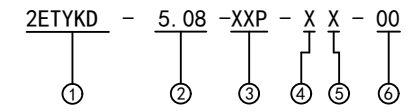


SECTION A-A



Electrical :

- | | | |
|--|---------------|------------------------|
| | UL | IEC |
| 1.Rated Voltage : | 300V | 320V |
| 2.Rated Current : | 10A | 20A |
| 3.Wire Range: | 26-12AWG | 0.2-2.5mm ² |
| 4.Stripping Length : | 7-8mm | |
| 5.Withstanding Voltage : | AC1600V/1Min. | |
| 6.Operating Temperature : | -40°C~+105°C | |
| 7.RoHS Compliance | | |
| 8.Safety Approval : | cULus CE | |
| 9."★" is the key quality control point | | |



- ① Series NO. ④ 1 Single Pitch
 2 Double Pitch
- ② Pitch:5.08mm ⑤ Color: 1 Grey
 2 Blue
 3 Black
 4 Green
③ Poles 5 Orange
02 02Contacts 6 Red
03 03Contacts 7 Transparent
24 24Contacts 8 Yellow
 9 White
- ⑥ Customer Request: 00--Standard

5	SPRING	XX	N	Stainless Steel	--
4	CLAMP	XX	N	Phosphor Borzne	Ni Plated
3	BUTTON	XX	N	POM UL94HB	SEE NOTE
2	COVER	XX	1	PA66 UL94V-0	SEE NOTE
1	HOUSING	XX	1	PA66 UL94V-0	SEE NOTE

ITEM	NAME OF PART	NO. OF PART	Q'TY	MATERIAL	NOTE
DWG.	YL	DATE	22.11.16	SIZE	A4 UNITS mm SHEET/OF 1 / 1
CHK.	DATE			SCALE	1:1
APP.	DATE			NAME	2ETYKD-5.08-XXP-XX-00
				DWGNO.	XXXX

 **拓宜(上海)工控电器设备有限公司**
Topone (Shanghai) Industrial Control Electrical Equipment Co., LTD.

Total Pitch Tolerances in mm										Nominal dimension range in mm										⊥		≡		—		//		
over	over	over	over	over	over	over	over	over	over	over	over	over	over	over	over	over	over	over	over	over	over	over	over	over	over	over	over	over
0	30	53	70	90	115	150	250	350	500	0	30	53	70	90	115	150	200	250	320	320	0	10	0	100	0	100	0	150
to	to	to	to	to	to	to	to	to	to	to	to	to	to	to	to	to	to	to	to	to	to	to	to	to	to	to	to	to
30	53	70	90	115	150	250	350	500	500	30	53	70	90	115	150	200	250	320	320	10	10	100	150	100	150	0.2	0.3	
±0.18	±0.20	±0.25	±0.3	±0.35	±0.44	±0.60	±0.70	±0.85	±1.00	±0.20	±0.25	±0.30	±0.35	±0.44	±0.55	±0.70	±0.80	±0.90	±1.00	0.2	0.3	0.2	0.3	0.2	0.3	0.2	0.5	

X-ON Electronics

Largest Supplier of Electrical and Electronic Components

Click to view similar products for [Pluggable Terminal Blocks](#) category:

Click to view products by [Toponelec](#) manufacturer:

Other Similar products are found below :

[57.510.0053](#) [721-104/026-047](#) [721-204/026-045](#) [MC 1.5/ 6-ST-3.5 GY AU](#) [ET02015000J0G](#) [860505](#) [860516](#) [860810](#) [GBPACX-12](#)
[93.731.4953.0](#) [PVP03-3,50](#) [PVS02-5,00](#) [1-1986160-3](#) [1377680000](#) [1531000000](#) [1546228-5](#) [ELFP03110](#) [ELFP10210](#) [ELFT07250](#)
[ELVD12100](#) [ELVF09400](#) [ELXH071G0E](#) [1725220000](#) [1760336](#) [1855000000](#) [19346](#) [1946309](#) [1973592](#) [19892](#) [25.320.4053.1](#) [25.320.4553.9](#)
[25.320.4753.1](#) [25.320.5453.1](#) [25.340.0353.1](#) [25.340.1053.1](#) [25.345.3553.0M001](#) [25.640.3553.1](#) [SH02-5,08](#) [SH06-3,81](#) [SH08-5,08](#) [SH08-](#)
[5,08-K](#) [SH12-5,08](#) [SHS04-5,00](#) [30.303](#) [30.305](#) [30.306](#) [PHP09-5,08](#) [25.193.0453.0](#) [25.320.4653.1](#) [25.332.2453.1](#)