

REVISION RECORD

| REV | ECN | DESCRIPTION | DRFT | DATE |
|-----|-----|-------------|------|------|
| | | | | |

NOTES1:

UL Standard

- 1.Rated voltage/current : 300V / 15A
- 2.Withstanding voltage : AC1600V/1Min.

IEC Standard

1.

| | |
|--------------------------|-------|
| Pollution degree | 2 |
| Overtoltage category | III |
| Rate impulse voltage(KV) | 4.0KV |
| Rate voltage(V) | 320V |
| Rate current(A) | 20A |

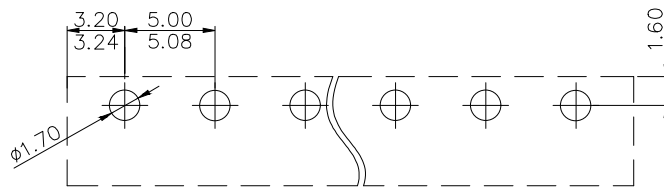
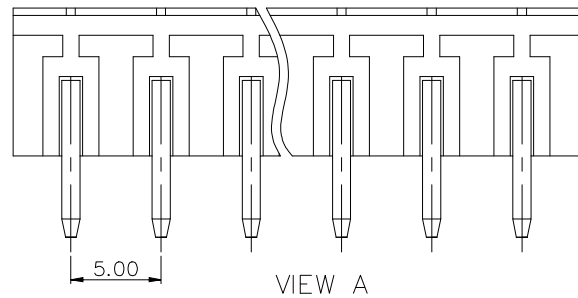
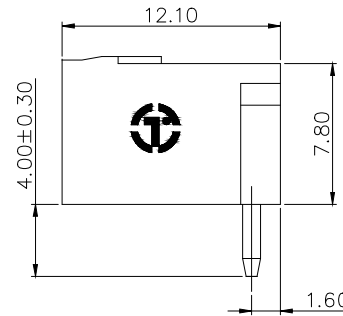
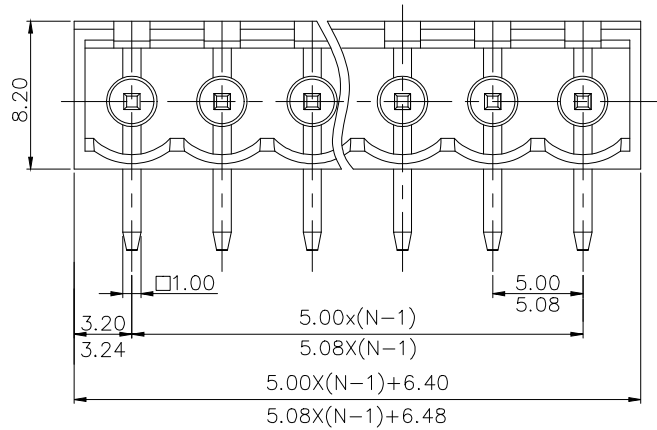
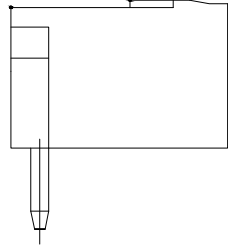
NOTES2:

- 1.Dimension shall be interpreted per ASME Y14.5-2009
- 2.Pitch : 5.00/5.08mm, Poles : N=02~24P
- 3.Operating temperature: -40°C~+105°C
- 4.Undimensioned tolerances:

| Pitch range in mm | | Nominal dimension range in mm | | | | | - | ∩ | □ |
|-------------------|---------|-------------------------------|---------|---------|---------|--------|-------|-----|---|
| TO | Over TO | Over TO | Over TO | Over TO | Over TO | 0.1/10 | ∩ | □ | |
| 6 | 10 | 10 | 30 | 60 | 100 | 150 | ∩ | □ | |
| ±0.15 | ±0.20 | ±0.30 | ±0.30 | ±0.50 | ±0.70 | ±1.00 | ±1.30 | ±2' | |

5.RoHS Compliance

2ETYRC - 5.0/5.08 - XXXP - 1Y - 00A (H)
 (Series No.) (Pitch) (Poles) (Single Pitch) (Color):1.(Grey)
 2.(Blue)
 3.(Black)
 4.(Green)
 5.(Orange)
 6.(Red)
 7.(Transparent)
 8.(Yellow)
 9.(White)



| | | | | | |
|------------------------|-----------|-----------------------------------|-------|-------|-----|
| DETACHED LISTS | PART NO.: | 拓宜 (上海) 工控电器设备有限公司 | | | |
| | APPD: | NAME: 2ETYRC-5.0/5.08-XXXP-1Y-00A | | | |
| | CHKD: | TITLE: CUSTOMER DRAWING | | | |
| | DRFT: | DRAWING NO.: | | REV | DO |
| THIRD ANGLE PROJECTION | | DO NOT SCALE DRAWING | | SHEET | 1/1 |
| | | MM (INCH) | SCALE | 1:1 | |

X-ON Electronics

Largest Supplier of Electrical and Electronic Components

Click to view similar products for [Pluggable Terminal Blocks](#) category:

Click to view products by [Toponelec](#) manufacturer:

Other Similar products are found below :

[57.510.0053](#) [MC 1.5/ 6-ST-3.5 GY AU](#) [ET02015000J0G](#) [734-104](#) [734-302](#) [860505](#) [860516](#) [860810](#) [GBPACX-12](#) [93.731.4953.0](#) [PV05-5,08-K](#) [PVP03-3,50](#) [PVP04-3,50](#) [PVS02-5,00](#) [1-1986160-3](#) [1377680000](#) [1531000000](#) [1546228-5](#) [ELFP03110](#) [ELFT07250](#) [ELVD12100](#) [ELVF09400](#) [ELVP03100](#) [ELXH071G0E](#) [1700410](#) [1702246](#) [1705229](#) [1714537](#) [1717806](#) [1719600](#) [1728941](#) [1734692](#) [1734795](#) [1740291](#) [1740628](#) [1746952](#) [1750207](#) [1752865](#) [1754115](#) [1754144](#) [1756913](#) [1760051](#) [1760336](#) [1765111](#) [1776388](#) [1777701](#) [1783410](#) [1800227](#) [1801080](#) [1809474](#)