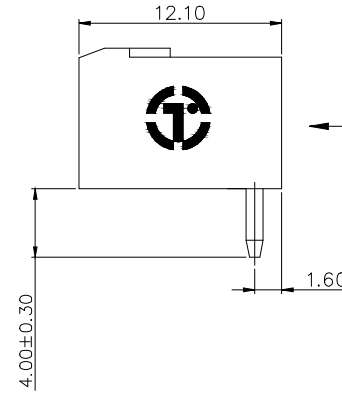
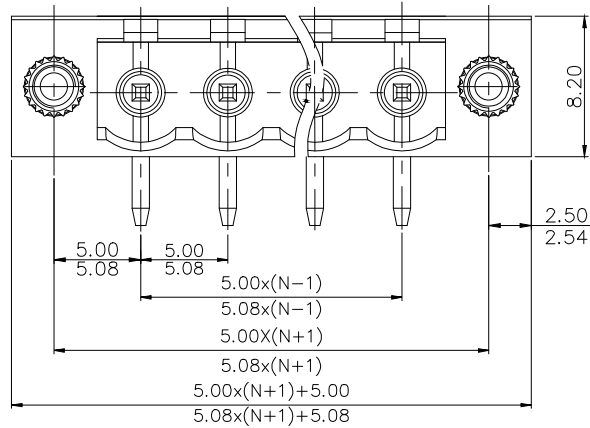
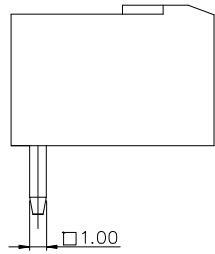


REVISION RECORD

REV	ECN	DESCRIPTION	DRFT	DATE
-----	-----	-------------	------	------



NOTES1:

- UL Standard
- 1. Rated voltage/current : 300V / 15A
- 2. Withstanding voltage : AC1600V/1Min.

IEC Standard

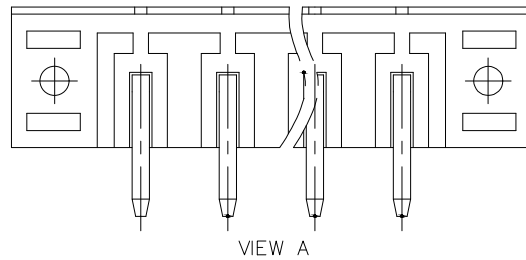
1. Pollution degree	2
Overvoltage category	III
Rate impulse voltage(KV)	4.0KV
Rate voltage(V)	320V
Rate current(A)	20A

NOTES2:

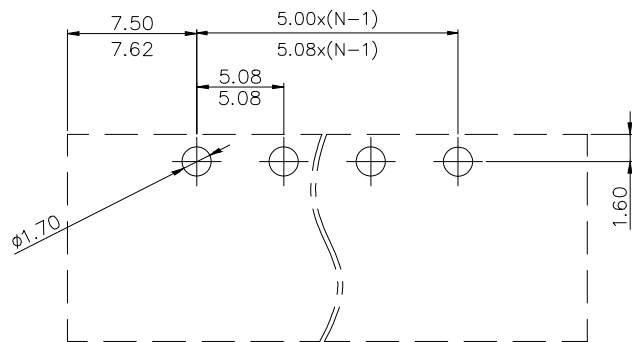
- 1. Dimension shall be interpreted per ASME Y14.5-2009
- 2. Pitch : 5.0/5.08mm, Poles : N=02~22P
- 3. Operating temperature : -40°C~+105°C
- 4. Undimensioned tolerances:

Pitch range in mm		Nominal dimension range in mm				±	∇		
TO	Over	TO	Over	TO	Over				
6	10	6	10	30	60	100	150	0.1/10	
6	10	24	30	60	100	150		<	
		±0.15	±0.20	±0.30	±0.30	±0.50	±1.00	±1.30	±2'

- 5. RoHS Compliance



VIEW A



PCB LAYOUT

2ETYRM - 5.0/5.08 - XXP - 1Y - 00A (H)

(Series No.) (Pitch) (Poles)(Single Pitch) (Color) (RoHS) (Standard)

Color : 1.(Grey)
 2. (Blue)
 3. (Black)
 4. (Green)
 5. (Orange)
 6. (Red)
 7. (Transparent)
 8. (Yellow)
 9. (White)

DETACHED LISTS	PART NO.:	拓宜 (上海) 工控电器设备有限公司		
	APPD: /	NAME:	2ETYRM-5.0/5.08-XXP-1Y-00A(H)	
	CHKD: /	TITLE:	CUSTOMER DRAWING	REV DO
	DRFT: /	DRAWING NO.:	/	SHEET 1/1
THIRD ANGLE PROJECTION		DO NOT SCALE DRAWING	SCALE	1:1

H
G
F
E
D
C
B
A

H
G
F
E
D
C
B
A

X-ON Electronics

Largest Supplier of Electrical and Electronic Components

Click to view similar products for [Pluggable Terminal Blocks](#) category:

Click to view products by [Toponelec](#) manufacturer:

Other Similar products are found below :

[57.510.0053](#) [MC 1.5/ 6-ST-3.5 GY AU](#) [ET02015000J0G](#) [734-104](#) [734-302](#) [860505](#) [860516](#) [860810](#) [GBPACX-12](#) [93.731.4953.0](#) [PV05-5,08-K](#) [PVP03-3,50](#) [PVP04-3,50](#) [PVS02-5,00](#) [1-1986160-3](#) [1377680000](#) [1531000000](#) [1546228-5](#) [ELFP03110](#) [ELFT07250](#) [ELVD12100](#) [ELVF09400](#) [ELVP03100](#) [ELXH071G0E](#) [1700410](#) [1702246](#) [1705229](#) [1714537](#) [1717806](#) [1719600](#) [1728941](#) [1734692](#) [1734795](#) [1740291](#) [1740628](#) [1746952](#) [1750207](#) [1752865](#) [1754115](#) [1754144](#) [1756913](#) [1760051](#) [1760336](#) [1765111](#) [1776388](#) [1777701](#) [1783410](#) [1800227](#) [1801080](#) [1809474](#)