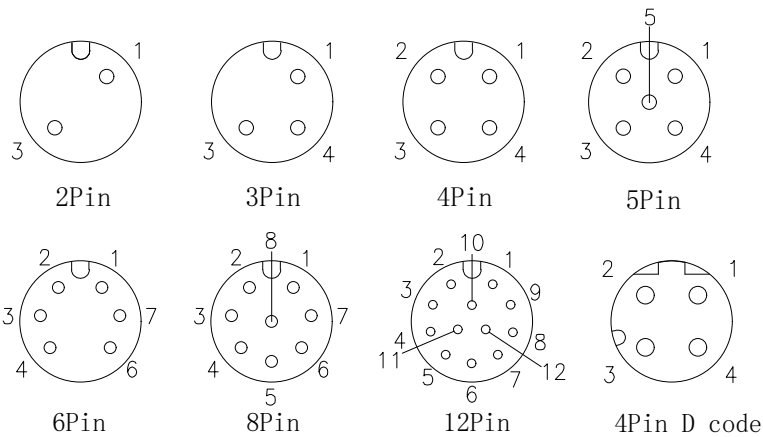


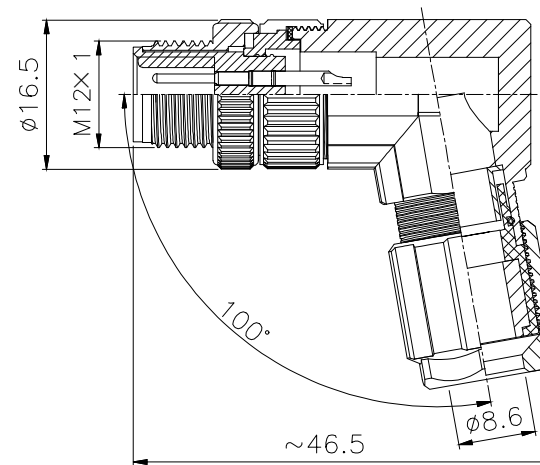
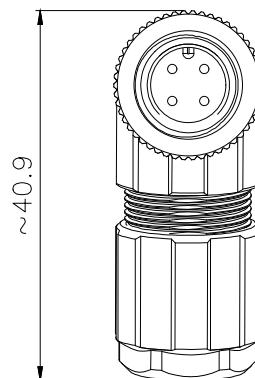
Mark	Qty	Engineering Change Area

A



MALE INTERFACE

POLE	02	03	04	05	06	08	12
WIRE SIZE	22AWG	22AWG	22AWG	22AWG	24AWG	24AWG	26AWG
RATED VOLTAGE	250V	250V	250V	60V	30V	30V	30V
RATED CURRENT	4A	4A	4A	4A	2A	2A	1.5A
RATED IMPULSE VOLTAGE	2.5KV	2.5KV	2.5KV	1.5KV	0.8KV	0.8KV	0.8KV

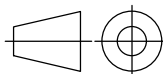


NOTE:

1. ELECTRICAL:
 - 1.1. CONTACT RESISTANCE: $\leq 15m\Omega$
 - 1.2. INSULATION RESISTANCE: $\geq 100M\Omega$
2. ENVIRONMENTAL:
 - 2.1. OPERATING TEMPERATURE: $-25^{\circ}C$ TO $+85^{\circ}C$
 - 2.2. PROTECTION GRADE: IP67, WHEN TIGHT LOCKED
 - 2.3. POLLUTION DEGREE: 3
3. CONTACT MATERIAL: BRASS NI PLATED UNDER GOLD FLASH PLATED
4. CABLE RANGE: $\phi 4\sim 8mm$
5. CONFORM TO IEC 61076-2-101

* UNLESS OTHERWISE SPECIFIED
TOLERANCES ON DECIMAL IS:

X.	± 0.50	X°	$\pm 2^{\circ}$
X.X	± 0.30		
X.XX	± 0.20		



All dimensions are in mm

Material:
Finishing:



	Signature	Date
Created by		
Checked by		
Approved by		
State		

Phase Marking	Weight	Scale
		1:1
P/N	61072907	
MD/CD		

拓宜(上海)工控电器设备有限公司 Topone(Shanghai) Industrial Control Electrical Equipment Co., LTD.	
Part Name: C12A-MRA-8C SH	
Rev. 02	Page: 1 OF 1

D

X-ON Electronics

Largest Supplier of Electrical and Electronic Components

Click to view similar products for [Standard Circular Connector](#) category:

Click to view products by [Toponelec](#) manufacturer:

Other Similar products are found below :

[600273N007](#) [6134-336-13149](#) [6134-337-11149](#) [6134-337-2390](#) [6134-341-17149](#) [67-02E12-60PX](#) [680-SMG](#) [CXS3102A181S](#)
[D38999/20FC8SA L/C](#) [75-190216-08S](#) [75-190611-03S](#) [75-474014-05S](#) [75-474618-04S](#) [75-474620-07P](#) [799539-000](#) [805-005-07NF11-19PC](#)
[805-005-07NF15-7PA](#) [FMP.2M.310.XLCT](#) [836783-1](#) [862256-1](#) [866857-1](#) [867865-1](#) [PT08P-14-19S](#) [PT08P-14-5S](#) [QCM019PC2DC012B](#)
[121583-0217](#) [121667-0020](#) [RD10A16-19-P6CS051/1](#) [RD16A14-12-S6CS051/2](#) [1301240268](#) [1301240275](#) [1301860906](#) [DCU-08BFEA-](#)
[LL7001](#) [RM15WTP-CP\(5\)\(71\)](#) [14482](#) [16283-18](#) [1877910-1](#) [206039-3](#) [206323-1](#) [207002-2](#) [207682-1](#) [CA06COME14SA7P](#) [211777-1](#) [JL04-](#)
[1012CK\(05\)-R](#) [JL04V-2A28-11PE-R](#) [JL04V-2E10SL-3PE-B-R](#) [JL04V-2E20-15PE-B-R](#) [JL04V-2E20-4PE-B-R](#) [JL04V-6A24-11SE-EB-R](#)
[JN1AS04MK1X](#)