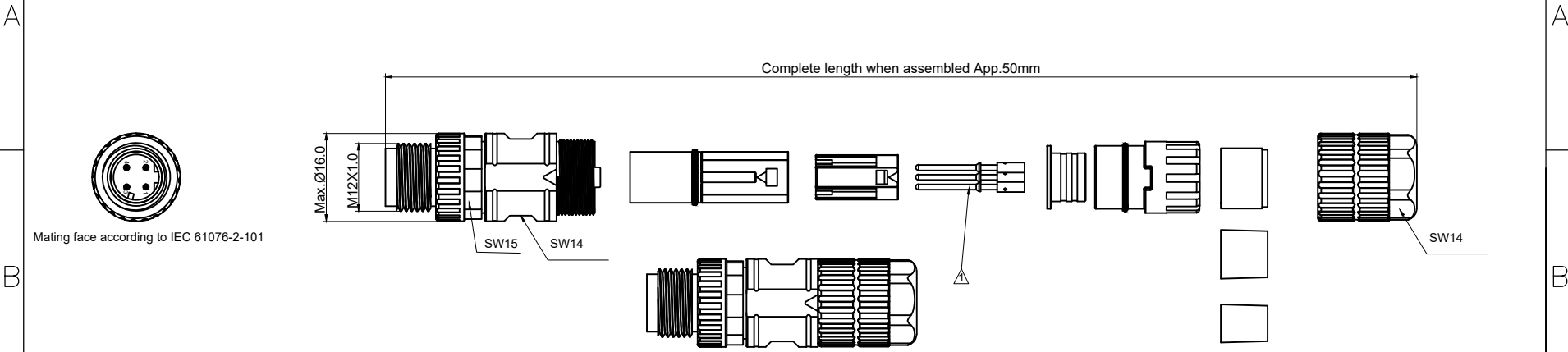


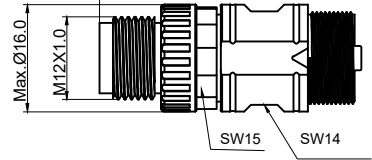
1 2 3 4 5 6 7 8

Tolerance:
 X.X ±0.25
 X.XX ±0.10
 X.XXX ±0.050
 Angle:±1.0°

Mark	Qty	Engineering Change Area

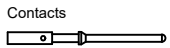


Mating face according to IEC 61076-2-101

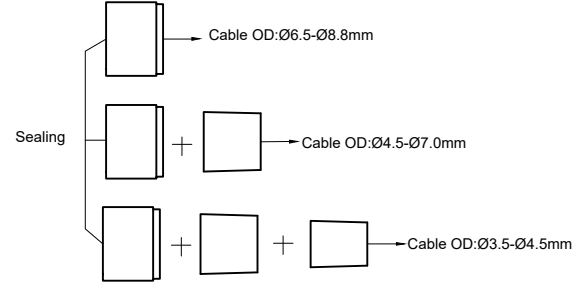


SW14

- Technical requirement
- 1.Rated current: 4A
 - 2.Rated voltage: 250V
 - 3.Rated impulse voltage: 2.5KV
 - 4.Contact resistance:<15mΩ
 - 5.Insulation resistance:≥10⁸Ω
 - 6.Pullution degree:3(when mated)
 - 7.Temperature range:-40°C - +85°C
 - 8.Degree of protection:IP65/IP67
 - 9.Voltage proof:1.4KV between contacts and between contact and housing.
 - 10.Matting cycle:500cycles.
 - 11.Tightening torque:0.6N.m



△Contacts should be ordered separately



P/N	Description	ØD±0.03(mm)	Wire Cross Section(mm ²)	Strip Length(mm)
61064807	C12A-M10-033	Ø0.88	0.13-0.33mm ² 26AWG-22AWG	4mm
61065107	C12A-M10-082	Ø1.34	0.33-0.82mm ² 22AWG-18AWG	4mm

All dimensions are in mm		Material:			
		Finishing:			
Signature	Date	Phase Marking	Weight	Scale	
		1:1			
Created by		P/N	61076507	Part Name: C12A-MSD-4C SH	
Checked by		MD/CD		Rev. 00	
Approved by				Page: 1 OF 1	
State					

C
B
A

C
B
A

1 2 3 4 5 6 7 8

X-ON Electronics

Largest Supplier of Electrical and Electronic Components

Click to view similar products for [Standard Circular Connector](#) category:

Click to view products by [Toponelec](#) manufacturer:

Other Similar products are found below :

[600273N007](#) [6134-336-13149](#) [6134-337-11149](#) [6134-337-2390](#) [6134-341-17149](#) [67-02E12-60PX](#) [680-SMG](#) [CXS3102A181S](#)
[D38999/20FC8SA L/C](#) [75-190216-08S](#) [75-190611-03S](#) [75-474014-05S](#) [75-474618-04S](#) [75-474620-07P](#) [799539-000](#) [805-005-07NF11-19PC](#)
[805-005-07NF15-7PA](#) [FMP.2M.310.XLCT](#) [836783-1](#) [862256-1](#) [866857-1](#) [867865-1](#) [PT08P-14-19S](#) [PT08P-14-5S](#) [QCM019PC2DC012B](#)
[121583-0217](#) [121667-0020](#) [RD10A16-19-P6CS051/1](#) [RD16A14-12-S6CS051/2](#) [1301240268](#) [1301240275](#) [1301860906](#) [DCU-08BFEA-](#)
[LL7001](#) [RM15WTP-CP\(5\)\(71\)](#) [14482](#) [16283-18](#) [1877910-1](#) [206039-3](#) [206323-1](#) [207002-2](#) [207682-1](#) [CA06COME14SA7P](#) [211777-1](#) [JL04-](#)
[1012CK\(05\)-R](#) [JL04V-2A28-11PE-R](#) [JL04V-2E10SL-3PE-B-R](#) [JL04V-2E20-15PE-B-R](#) [JL04V-2E20-4PE-B-R](#) [JL04V-2E24-10PE\(G\)-B-R](#)
[JL04V-6A24-11SE-EB-R](#)