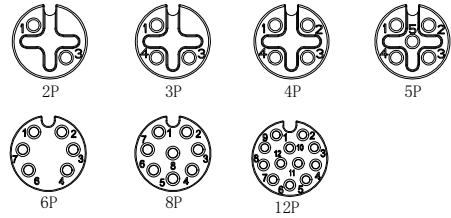


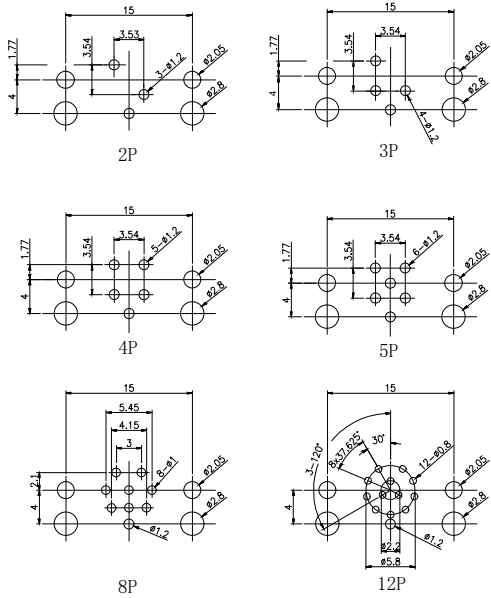
1                      2                      3                      4                      5                      6                      7                      8

Mark	Qty	Engineering Change Area

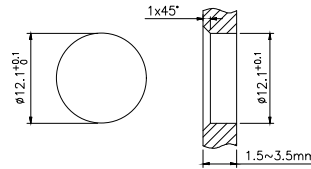
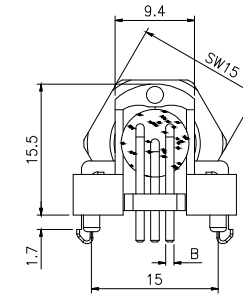
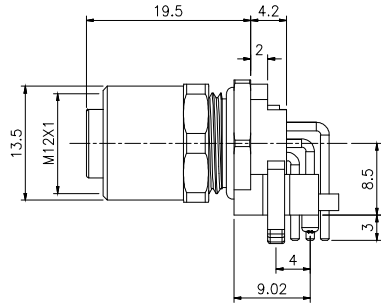
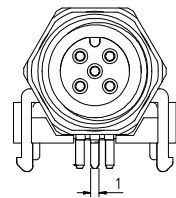


A-CODE FEMALE INTERFACE

POLE	02	03	04	05	06	08	12
PIN SIZE "B"	1.0mm	1.0mm	1.0mm	1.0mm	0.8mm	0.8mm	0.6mm
RATED VOLTAGE	250V	250V	250V	60V	30V	30V	30V
RATED CURRENT	4A	4A	4A	4A	2A	2A	1.5A
Rated impulse voltage	2.5KV	2.5KV	2.5KV	1.5KV	0.8KV	0.8KV	0.8KV



RECOMMENDED PCB LAYOUT



PANEL CUT OUT

- NOTE:
- ELECTRICAL:
    - CONTACT RESISTANCE:  $\leq 15m\Omega$
    - INSULATION RESISTANCE:  $\geq 100M\Omega$
  - ENVIRONMENTAL:
    - OPERATING TEMPERATURE:  $-25^{\circ}C$  TO  $+85^{\circ}C$
    - PROTECTION GRADE: IP67, WHEN TIGHT LOCKED
    - POLLUTION DEGREE: 3
  - CONTACT MATERIAL: BRASS NI PLATED UNDER GOLD PLATED
  - CONFORM TO IEC 61076-2-101

\* UNLESS OTHERWISE SPECIFIED  
TOLERANCES ON DECIMAL IS:

X.	$\pm 0.38$	X°	$\pm 2^{\circ}$
X.X	$\pm 0.25$		
X.XX	$\pm 0.15$		
X.XXX	$\pm 0.10$		

All dimensions are in mm		Material:			
		Finishing:			
Signature	Date	Phase Marking	Weight	Scale	拓宜(上海)工控电器设备有限公司 Topone(Shanghai) Industrial Control Electrical Equipment Co., LTD.
				1:1	
Created by		P/N	61009607	Part Name: C12B-FAA-RM1-5 SH	
Checked by		MD/CD		Rev.	01
Approved by				Page:	1 OF 1
State	First Release				

1                      2                      3                      4                      5                      6                      7                      8

## X-ON Electronics

Largest Supplier of Electrical and Electronic Components

*Click to view similar products for [Standard Circular Connector](#) category:*

*Click to view products by [Toponelec](#) manufacturer:*

Other Similar products are found below :

[600273N007](#) [6134-336-13149](#) [6134-337-11149](#) [6134-337-2390](#) [6134-341-17149](#) [67-02E12-60PX](#) [680-SMG](#) [CXS3102A181S](#)  
[D38999/20FC8SA L/C](#) [75-190216-08S](#) [75-190611-03S](#) [75-474014-05S](#) [75-474618-04S](#) [75-474620-07P](#) [799539-000](#) [805-005-07NF11-19PC](#)  
[805-005-07NF15-7PA](#) [FMP.2M.310.XLCT](#) [836783-1](#) [862256-1](#) [866857-1](#) [867865-1](#) [PT08P-14-19S](#) [PT08P-14-5S](#) [QCM019PC2DC012B](#)  
[121583-0217](#) [121667-0020](#) [RD10A16-19-P6CS051/1](#) [RD16A14-12-S6CS051/2](#) [1301240268](#) [1301240275](#) [1301860906](#) [DCU-08BFEA-](#)  
[LL7001](#) [RM15WTP-CP\(5\)\(71\)](#) [14482](#) [16283-18](#) [1877910-1](#) [206039-3](#) [206323-1](#) [207002-2](#) [207682-1](#) [CA06COME14SA7P](#) [211777-1](#) [JL04-](#)  
[1012CK\(05\)-R](#) [JL04V-2A28-11PE-R](#) [JL04V-2E10SL-3PE-B-R](#) [JL04V-2E20-15PE-B-R](#) [JL04V-2E20-4PE-B-R](#) [JL04V-2E24-10PE\(G\)-B-R](#)  
[JL04V-6A24-11SE-EB-R](#)