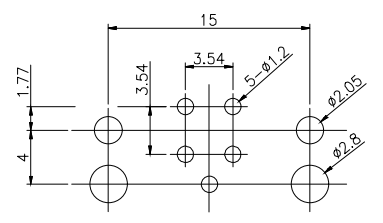
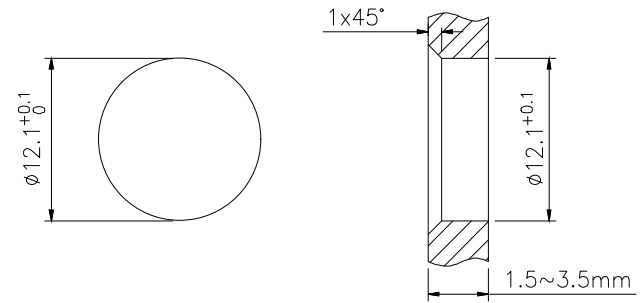
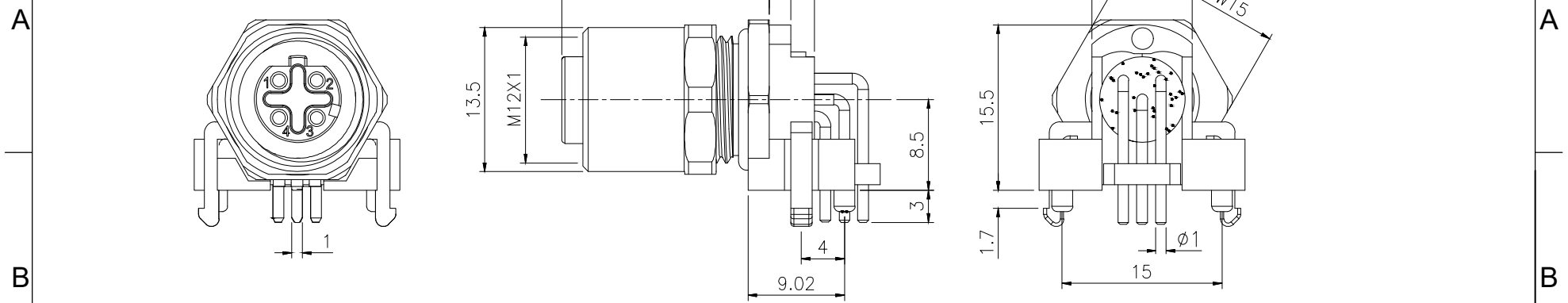


1 2 3 4 5 6 7 8

Mark	Qty	Engineering Change Area



RECOMMENDED PCB LAYOUT

- NOTE:
- ELECTRICAL:
    - RATED VOLTAGE: 250V
    - RATED CURRENT: 4A
    - CONTACT RESISTANCE:  $\leq 15m\Omega$
    - INSULATION RESISTANCE:  $\geq 100M\Omega$
    - Rated impulse voltage: 2500V
  - ENVIRONMENTAL:
    - OPERATING TEMPERATURE:  $-25^{\circ}C$  TO  $+85^{\circ}C$
    - PROTECTION GRADE: IP67, WHEN TIGHT LOCKED
    - POLLUTION DEGREE: 3
  - CONTACT MATERIAL: BRASS NI PLATED UNDER GOLD FLASH PLATED
  - CONFORM TO IEC 61076-2-101

PANEL CUT-OUT

\* UNLESS OTHERWISE SPECIFIED  
TOLERANCES ON DECIMAL IS:

X.	$\pm 0.38$	X°	$\pm 2^{\circ}$
X.X	$\pm 0.25$		
X.XX	$\pm 0.15$		
X.XXX	$\pm 0.10$		

All dimensions are in mm		Material:			
		Finishing:			
Created by	Signature	Date	Phase Marking	Weight	Scale
					1:1
Checked by			P/N	61053407	Part Name: C12B-FAD-RM1-4 SH
Approved by			MD/CD		Rev. 01
State	First Release				Page: 1 OF 1

1 2 3 4 5 6 7 8

A  
B  
C  
D

A  
B  
C  
D

## X-ON Electronics

Largest Supplier of Electrical and Electronic Components

*Click to view similar products for [Standard Circular Connector](#) category:*

*Click to view products by [Toponelec](#) manufacturer:*

Other Similar products are found below :

[600273N007](#) [6134-336-13149](#) [6134-337-11149](#) [6134-337-2390](#) [6134-341-17149](#) [67-02E12-60PX](#) [680-SMG](#) [CXS3102A181S](#)  
[D38999/20FC8SA L/C](#) [75-190216-08S](#) [75-190611-03S](#) [75-474014-05S](#) [75-474618-04S](#) [75-474620-07P](#) [799539-000](#) [805-005-07NF11-19PC](#)  
[805-005-07NF15-7PA](#) [FMP.2M.310.XLCT](#) [836783-1](#) [862256-1](#) [866857-1](#) [867865-1](#) [PT08P-14-19S](#) [PT08P-14-5S](#) [QCM019PC2DC012B](#)  
[121583-0217](#) [121667-0020](#) [RD10A16-19-P6CS051/1](#) [RD16A14-12-S6CS051/2](#) [1301240268](#) [1301240275](#) [1301860906](#) [DCU-08BFEA-](#)  
[LL7001](#) [RM15WTP-CP\(5\)\(71\)](#) [14482](#) [16283-18](#) [1877910-1](#) [206039-3](#) [206323-1](#) [207002-2](#) [207682-1](#) [CA06COME14SA7P](#) [211777-1](#) [JL04-](#)  
[1012CK\(05\)-R](#) [JL04V-2A28-11PE-R](#) [JL04V-2E10SL-3PE-B-R](#) [JL04V-2E20-15PE-B-R](#) [JL04V-2E20-4PE-B-R](#) [JL04V-2E24-10PE\(G\)-B-R](#)  
[JL04V-6A24-11SE-EB-R](#)