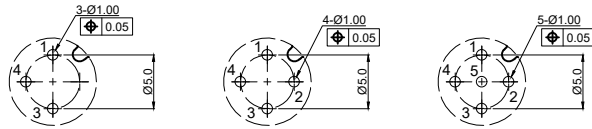


A-CODE FEMALE INTERFACE

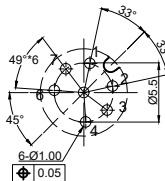
POLE	03	04	05	06	07	08
PIN SIZE "A"	0.8mm	0.8mm	0.8mm	0.8mm	0.8mm	0.8mm
RATED VOLTAGE	250V	250V	60V	30V	30V	30V
RATED CURRENT	4A	4A	4A	2A	2A	2A
RATED IMPULSE VOLTAGE	2.5KV	2.5KV	1.5KV	0.8KV	0.8KV	0.8KV



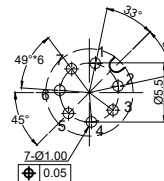
3P

4P

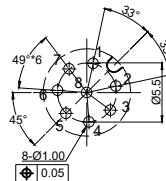
5P



6P

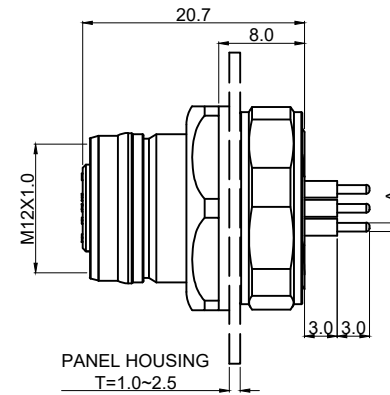
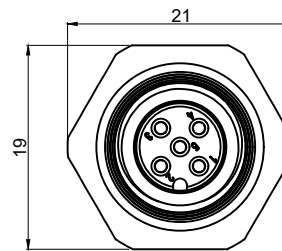


7P

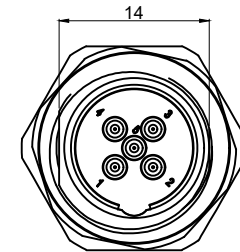


8P

RECOMMENDED PCB LAYOUT

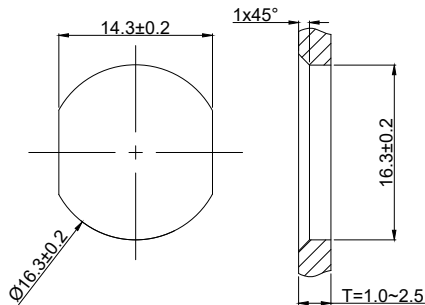


PANEL HOUSING
T=1.0-2.5



NOTE:

1. ELECTRICAL:
 - 1.1. CONTACT RESISTANCE: $\leq 15m\Omega$
 - 1.2. INSULATION RESISTANCE: $\geq 100M\Omega$
2. ENVIRONMENTAL:
 - 2.1. OPERATING TEMPERATURE: $-25^{\circ}C$ TO $+85^{\circ}C$
 - 2.2. PROTECTION GRADE: IP67, WHEN TIGHT LOCKED
 - 2.3. POLLUTION DEGREE: 3
3. CONTACT MATERIAL: BRASS NI PLATED UNDER GOLD PLATED
4. CONFORM TO IEC 61076-2-101



PANEL CUT OUT

* UNLESS OTHERWISE SPECIFIED TOLERANCES ON DECIMAL IS:

- X. ± 0.50 X° $\pm 2^{\circ}$
 X.X ± 0.30
 X.XX ± 0.20

All dimensions are in mm		Material:			
		Finishing:			
Created by	Signature	Date	Phase Marking	Weight	Scale 1:1
			Checked by	P/N	
Approved by	State		MD/CD	Part Name: C12B-FSA-FM1-5 MX	
First Release			Rev.	01	Page: 1 OF 1

拓宜(上海)工控电器设备有限公司
 Topone(Shanghai) Industrial Control Electrical Equipment Co., LTD.

X-ON Electronics

Largest Supplier of Electrical and Electronic Components

Click to view similar products for [Standard Circular Connector](#) category:

Click to view products by [Toponelec](#) manufacturer:

Other Similar products are found below :

[600273N007](#) [6134-336-13149](#) [6134-337-11149](#) [6134-337-2390](#) [6134-341-17149](#) [67-02E12-60PX](#) [680-SMG](#) [CXS3102A181S](#)
[D38999/20FC8SA L/C](#) [75-190216-08S](#) [75-190611-03S](#) [75-474014-05S](#) [75-474618-04S](#) [75-474620-07P](#) [799539-000](#) [805-005-07NF11-19PC](#)
[805-005-07NF15-7PA](#) [FMP.2M.310.XLCT](#) [836783-1](#) [862256-1](#) [866857-1](#) [867865-1](#) [PT08P-14-19S](#) [PT08P-14-5S](#) [QCM019PC2DC012B](#)
[121583-0217](#) [121667-0020](#) [RD10A16-19-P6CS051/1](#) [RD16A14-12-S6CS051/2](#) [1301240268](#) [1301240275](#) [1301860906](#) [DCU-08BFEA-](#)
[LL7001](#) [RM15WTP-CP\(5\)\(71\)](#) [14482](#) [16283-18](#) [1877910-1](#) [206039-3](#) [206323-1](#) [207002-2](#) [207682-1](#) [CA06COME14SA7P](#) [211777-1](#) [JL04-](#)
[1012CK\(05\)-R](#) [JL04V-2A28-11PE-R](#) [JL04V-2E10SL-3PE-B-R](#) [JL04V-2E20-15PE-B-R](#) [JL04V-2E20-4PE-B-R](#) [JL04V-6A24-11SE-EB-R](#)
[JN1AS04MK1X](#)