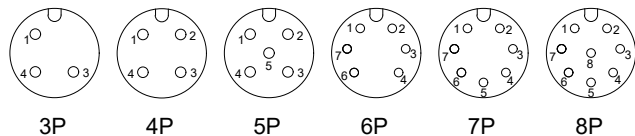


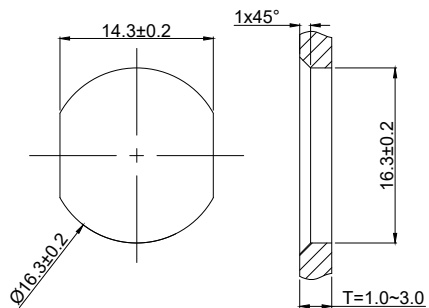
1 2 3 4 5 6 7 8

Mark	Qty	Engineering Change Area

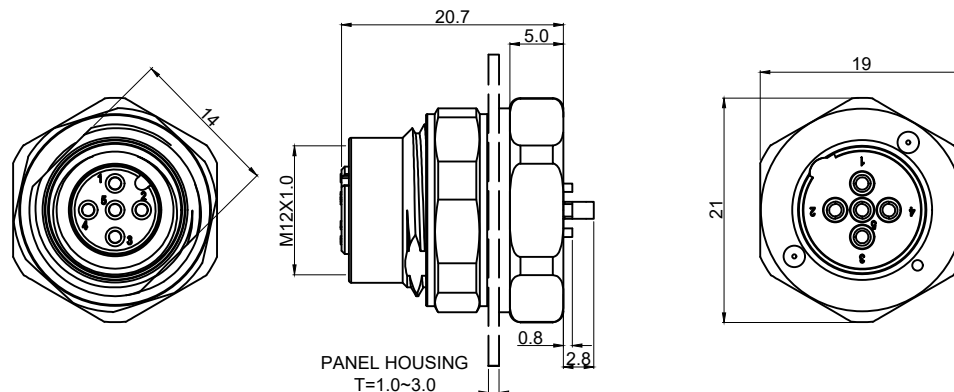


A-CODE FEMALE INTERFACE

POLE	03	04	05	06	07	08
CONDUCTOR CROSS-SECTION	20~24AWG 0.5~0.25mm <sup>2</sup>	20~24AWG 0.5~0.25mm <sup>2</sup>	20~24AWG 0.5~0.25mm <sup>2</sup>	24AWG 0.25mm <sup>2</sup>	24AWG 0.25mm <sup>2</sup>	24AWG 0.25mm <sup>2</sup>
RATED VOLTAGE	250V	250V	60V	30V	30V	30V
RATED CURRENT	4A	4A	4A	2A	2A	2A
RATED IMPULSE VOLTAGE	2.5KV	2.5KV	1.5KV	0.8KV	0.8KV	0.8KV



PANEL CUT OUT



NOTE:

1. ELECTRICAL:
  - 1.1. CONTACT RESISTANCE: ≤15mΩ
  - 1.2. INSULATION RESISTANCE: ≥100MΩ
2. ENVIRONMENTAL:
  - 2.1. OPERATING TEMPERATURE: -25°C TO +85°C
  - 2.2. PROTECTION GRADE: IP67, WHEN TIGHT LOCKED
  - 2.3. POLLUTION DEGREE: 3
3. CONTACT MATERIAL: BRASS NI PLATED UNDER GOLD PLATED
4. CONFORM TO IEC 61076-2-101

\* UNLESS OTHERWISE SPECIFIED TOLERANCES ON DECIMAL IS:

X.	± 0.50	X°	± 2°
X.X	± 0.30		
X.XX	± 0.20		

All dimensions are in mm		Material:			
		Finishing:			
Signature	Date	Phase Marking	Weight	Scale	拓宜(上海)工控电器设备有限公司 Topone(Shanghai) Industrial Control Electrical Equipment Co., LTD.
		Created by			
Checked by		P/N	61037807		Part Name: C12B-FSA-FM1-8SCUP MX
Approved by		MD/CD		Rev. 01	Page: 1 OF 1
State	First Release				

1 2 3 4 5 6 7 8

## X-ON Electronics

Largest Supplier of Electrical and Electronic Components

*Click to view similar products for [Standard Circular Connector](#) category:*

*Click to view products by [Toponelec](#) manufacturer:*

Other Similar products are found below :

[600273N007](#) [6134-336-13149](#) [6134-337-11149](#) [6134-337-2390](#) [6134-341-17149](#) [67-02E12-60PX](#) [680-SMG](#) [CXS3102A181S](#)  
[D38999/20FC8SA L/C](#) [75-190216-08S](#) [75-190611-03S](#) [75-474014-05S](#) [75-474618-04S](#) [75-474620-07P](#) [799539-000](#) [805-005-07NF11-19PC](#)  
[805-005-07NF15-7PA](#) [FMP.2M.310.XLCT](#) [836783-1](#) [862256-1](#) [866857-1](#) [867865-1](#) [PT08P-14-19S](#) [PT08P-14-5S](#) [QCM019PC2DC012B](#)  
[121583-0217](#) [121667-0020](#) [RD10A16-19-P6CS051/1](#) [RD16A14-12-S6CS051/2](#) [1301240268](#) [1301240275](#) [1301860906](#) [DCU-08BFEA-](#)  
[LL7001](#) [RM15WTP-CP\(5\)\(71\)](#) [14482](#) [16283-18](#) [1877910-1](#) [206039-3](#) [206323-1](#) [207002-2](#) [207682-1](#) [CA06COME14SA7P](#) [211777-1](#) [JL04-](#)  
[1012CK\(05\)-R](#) [JL04V-2A28-11PE-R](#) [JL04V-2E10SL-3PE-B-R](#) [JL04V-2E20-15PE-B-R](#) [JL04V-2E20-4PE-B-R](#) [JL04V-2E24-10PE\(G\)-B-R](#)  
[JL04V-6A24-11SE-EB-R](#)