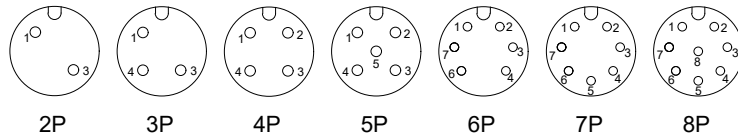


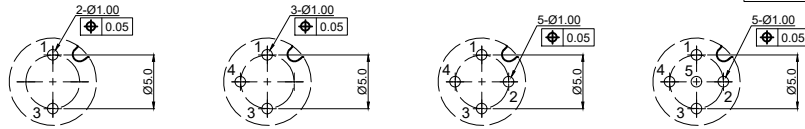
1 2 3 4 5 6 7 8

Mark	Qty	Engineering Change Area



A-CODE FEMALE INTERFACE

POLE	02	03	04	05	06	07	08
PIN SIZE "A"	0.8mm	0.8mm	0.8mm	0.8mm	0.8mm	0.8mm	0.8mm
RATED VOLTAGE	250V	250V	250V	60V	30V	30V	30V
RATED CURRENT	4A	4A	4A	4A	2A	2A	2A
RATED IMPULSE VOLTAGE	2.5KV	2.5KV	2.5KV	1.5KV	0.8KV	0.8KV	0.8KV

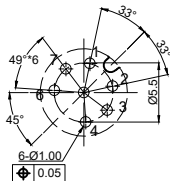
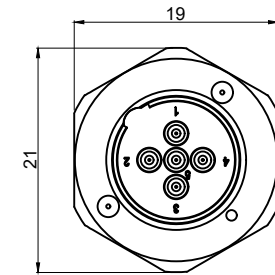
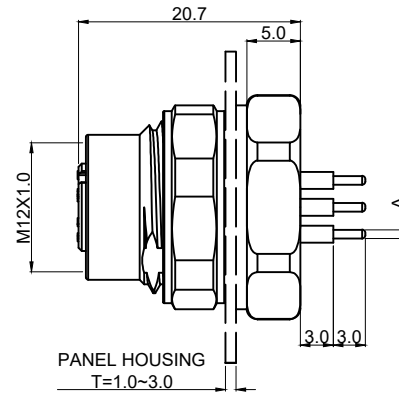
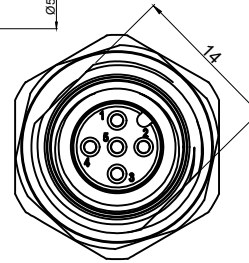


2P

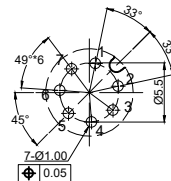
3P

4P

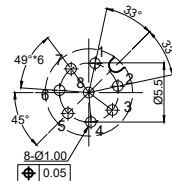
5P



6P



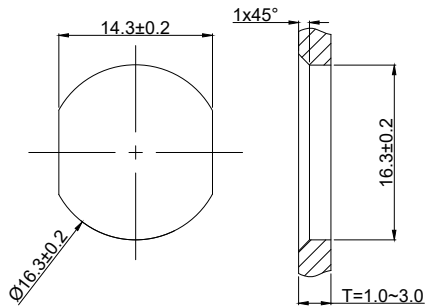
7P



8P

RECOMMENDED PCB LAYOUT

- NOTE:
- ELECTRICAL:
 - CONTACT RESISTANCE: $\leq 15m\Omega$
 - INSULATION RESISTANCE: $\geq 100M\Omega$
 - ENVIRONMENTAL:
 - OPERATING TEMPERATURE: $-25^{\circ}C$ TO $+85^{\circ}C$
 - PROTECTION GRADE: IP67, WHEN TIGHT LOCKED
 - POLLUTION DEGREE: 3
 - CONTACT MATERIAL: BRASS NI PLATED UNDER GOLD PLATED
 - CONFORM TO IEC 61076-2-101



PANEL CUT OUT

* UNLESS OTHERWISE SPECIFIED TOLERANCES ON DECIMAL IS:

- X. ± 0.50 X° $\pm 2^{\circ}$
 X.X ± 0.30
 X.XX ± 0.20

All dimensions are in mm		Material:			
		Finishing:			
Signature	Date	Phase Marking	Weight	Scale	拓宜(上海)工控电器设备有限公司 Topone(Shanghai) Industrial Control Electrical Equipment Co., LTD.
				1:1	
Created by		P/N	61018007	Part Name: C12B-FSA-RM1-8	
Checked by		MD/CD		Rev. 01	Page: 1 OF 1
Approved by		State	First Release		

1 2 3 4 5 6 7 8

X-ON Electronics

Largest Supplier of Electrical and Electronic Components

Click to view similar products for [Standard Circular Connector](#) category:

Click to view products by [Toponelec](#) manufacturer:

Other Similar products are found below :

[600273N007](#) [6134-336-13149](#) [6134-337-11149](#) [6134-337-2390](#) [6134-341-17149](#) [67-02E12-60PX](#) [680-SMG](#) [CXS3102A181S](#)
[D38999/20FC8SA L/C](#) [75-190216-08S](#) [75-190611-03S](#) [75-474014-05S](#) [75-474618-04S](#) [75-474620-07P](#) [799539-000](#) [805-005-07NF11-19PC](#)
[805-005-07NF15-7PA](#) [FMP.2M.310.XLCT](#) [836783-1](#) [862256-1](#) [866857-1](#) [867865-1](#) [PT08P-14-19S](#) [PT08P-14-5S](#) [QCM019PC2DC012B](#)
[121583-0217](#) [121667-0020](#) [RD10A16-19-P6CS051/1](#) [RD16A14-12-S6CS051/2](#) [1301240268](#) [1301240275](#) [1301860906](#) [DCU-08BFEA-](#)
[LL7001](#) [RM15WTP-CP\(5\)\(71\)](#) [14482](#) [16283-18](#) [1877910-1](#) [206039-3](#) [206323-1](#) [207002-2](#) [207682-1](#) [CA06COME14SA7P](#) [211777-1](#) [JL04-](#)
[1012CK\(05\)-R](#) [JL04V-2A28-11PE-R](#) [JL04V-2E10SL-3PE-B-R](#) [JL04V-2E20-15PE-B-R](#) [JL04V-2E20-4PE-B-R](#) [JL04V-6A24-11SE-EB-R](#)
[JN1AS04MK1X](#)